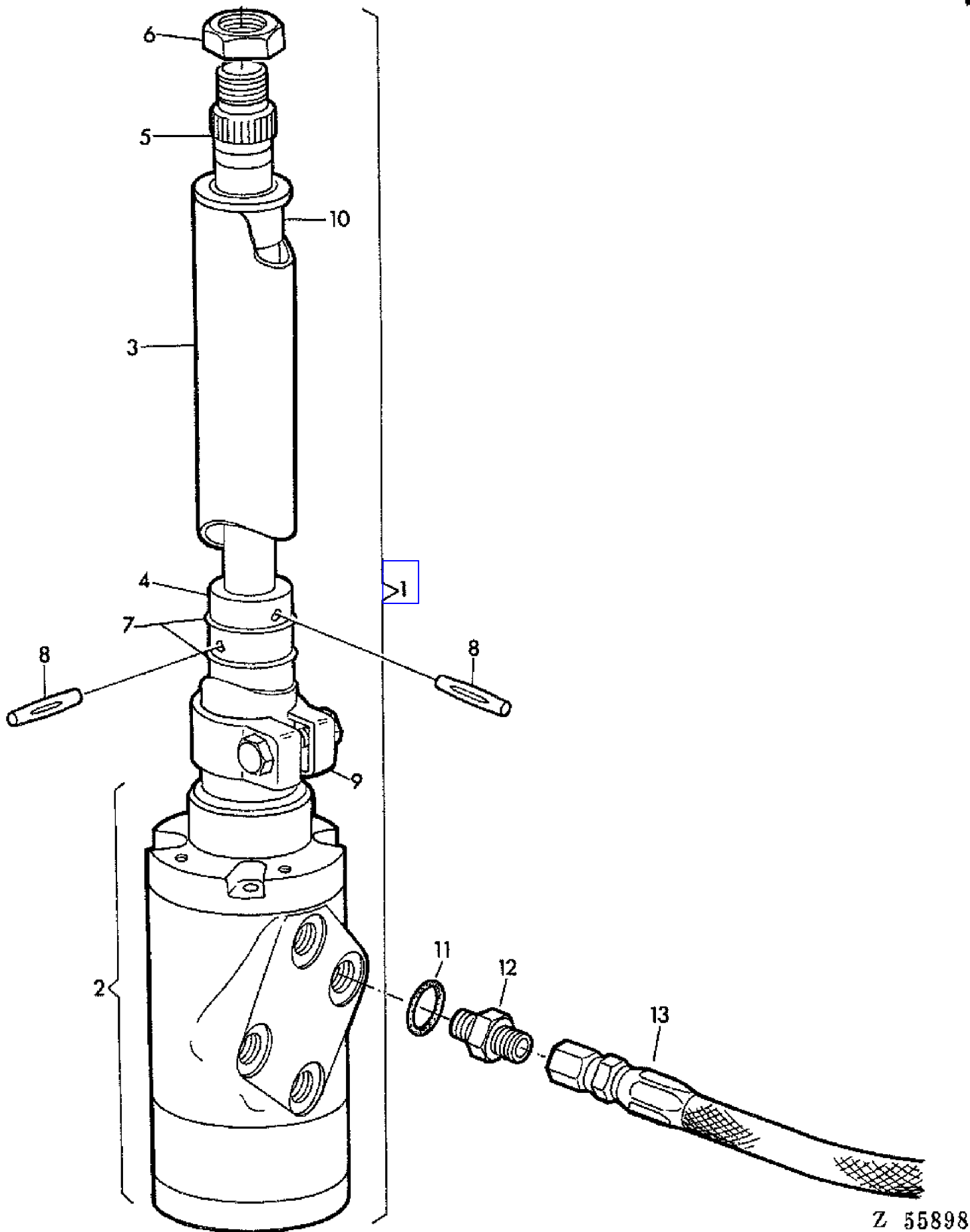


(1F11) "ROSS" STEERING PUMP COMPLETE WITH STEERING SHAFT
POMPE DE DIRECTION "ROSS" COMPLETE AVEC ARBRE DE DIRECTION
"ROSS" LENKPUMPE KOMPLETT MIT LENKWELLE
POMPA DI STERZO "ROSS" COMPLETA DI ALBERO DI STERZO
BOMBA "ROSS" COMPLETA Y EJE DE DIRECCION
"ROSS" STYRPUMP KOMPLETT MED AXEL



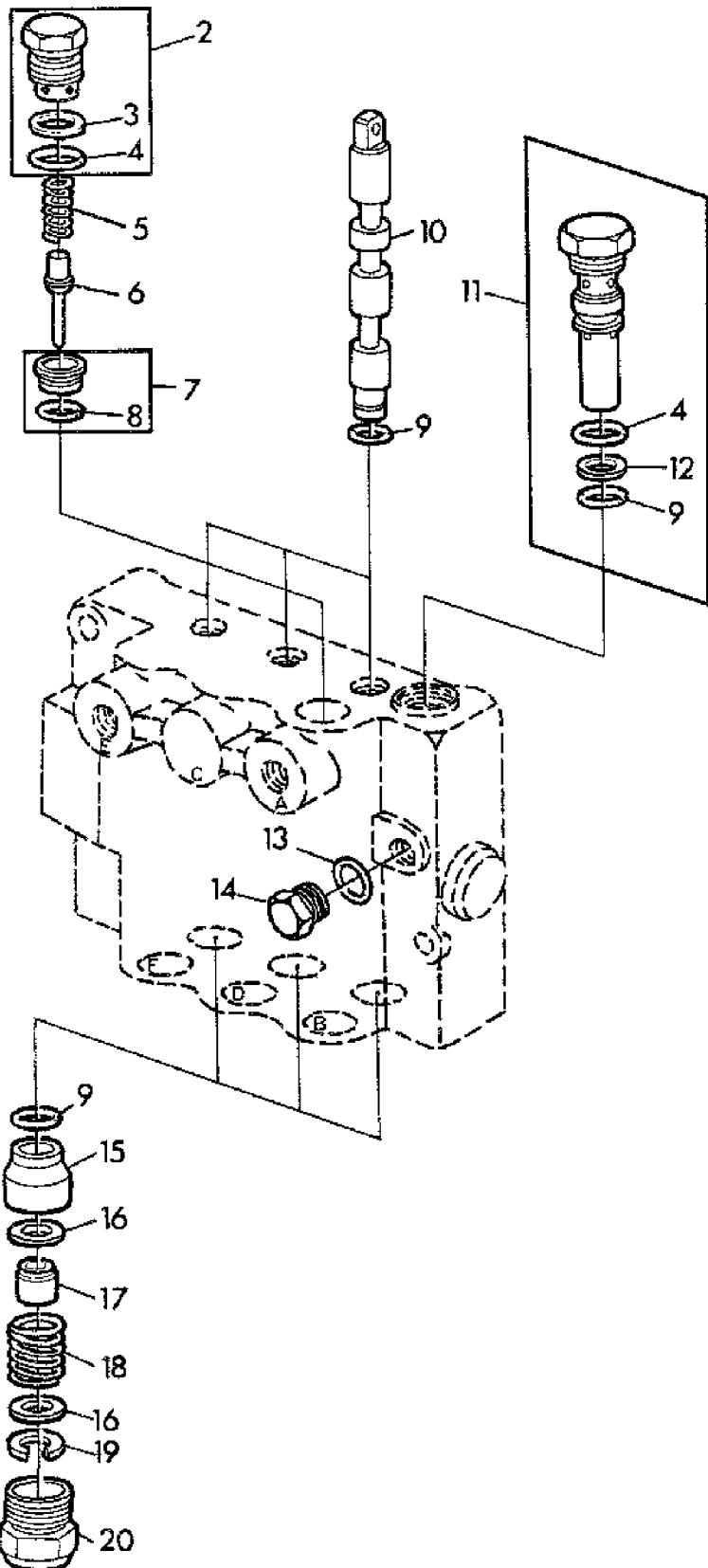
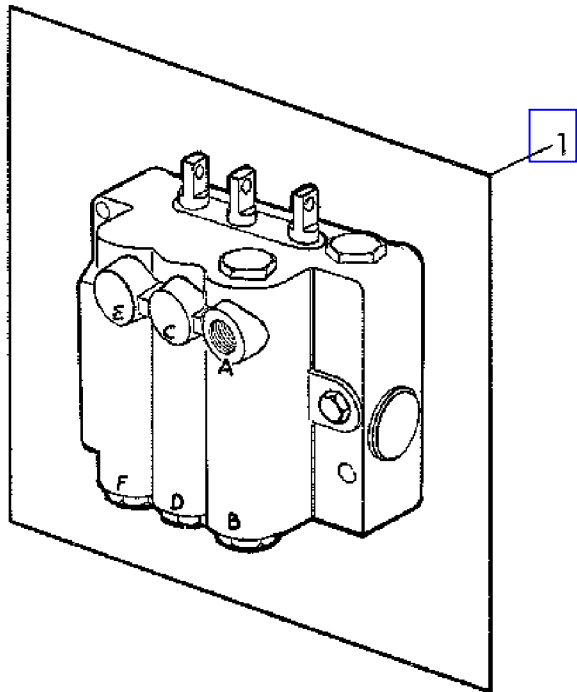
Z 55898

(1F11) "ROSS" STEERING PUMP COMPLETE WITH STEERING SHAFT
POMPE DE DIRECTION "ROSS" COMPLETE AVEC ARBRE DE DIRECTION
"ROSS" LENKPUMPE KOMPLETT MIT LENKWELLE
POMPA DI STERZO "ROSS" COMPLETA DI ALBERO DI STERZO
BOMBA "ROSS" COMPLETA Y EJE DE DIRECCION
"ROSS" STYRPUMP KOMPLETT MED AXEL

KEY	PART NO.	PART NAME	QTY	SERIAL NO.	9 9 3 4 0 0	REMARKS
1	AZ18461	STEERING CONTROL UNIT	1		X X	(A) ASSY, INCL KEYS 2-10
2	AZ20000	STEERING CONTROL UNIT	1		X X	(A)
3	AZ19997	PIPE	1		X X	
4	Z31345	SLEEVE	1		X X	
5	AZ19996	DRAG LINK	1		X X	
6	H35228	NUT	1		X X	
7	Z31347	SNAP RING	2		X X	
8	Z31346	GROOVE PIN	2		X X	
9	AZ19999	CLAMP	1		X X	
10	AZ19998	BUSHING	1		X X	
11	R26448	O-RING	4		X X	(SUB FOR Z22677)
12	Z32964	FITTING	4		X X	(SUB FOR Z22344)
13	AZ16228	HYDRAULIC HOSE	4		X X	

(A) ORDER AZ25103,AZ20004,AZ18426,Z29745,Z31192,19M7124
COMMANDER AZ25103,AZ20004,AZ18426,Z29745,Z31192,19M7124
BESTELLE AZ25103,AZ20004,AZ18426,Z29745,Z31192,19M7124
ORDINARE AZ25103,AZ20004,AZ18426,Z29745,Z31192,19M7124
PEDIR AZ25103,AZ20004,AZ18426,Z29745,Z31192,19M7124
BESTALLA AZ25103,AZ20004,AZ18426,Z29745,Z31192,19M7124

(1E13) 3 SPOOL CONTROL VALVE
DISTRIBUTEUR A 3 ELEMENTS
3 FACH STEUERGERAET
DISTRIBUTORE 3 STELE
VALVULA DE MANDO DE 3 EMBOLOS DE DISTRIBUCION
3 SPOLIG MANOVERVENTIL

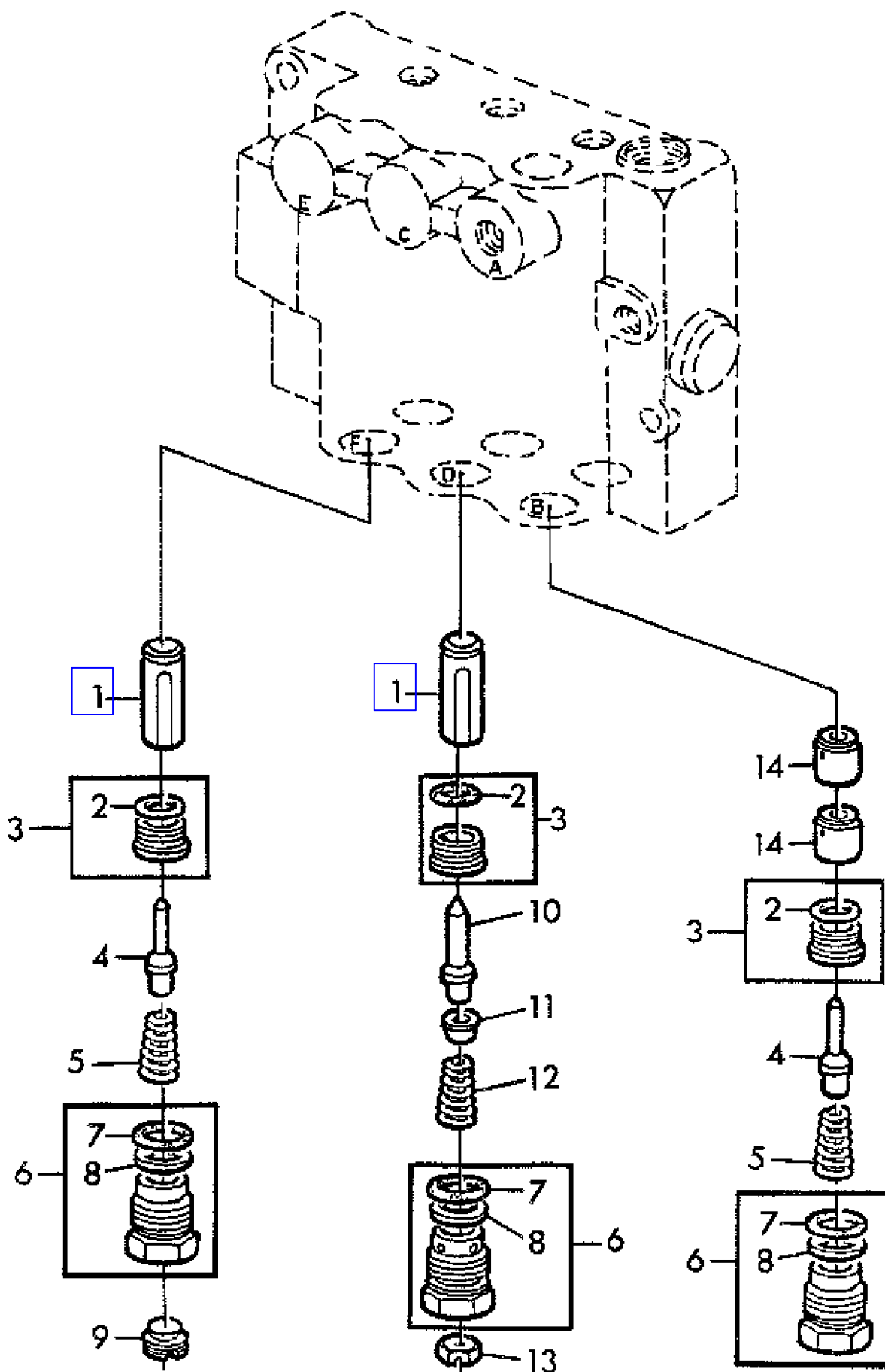


Z 106416

(1E13) 3 SPOOL CONTROL VALVE
 DISTRIBUTEUR A 3 ELEMENTS
 3 FACH STEUERGERAET
 DISTRIBUTORE 3 STELE
 VALVULA DE MANDO DE 3 EMBOLOS DE DISTRIBUCION
 3 SPOLIG MANOVERVENTIL

KEY	PART NO.	PART NAME	QTY	SERIAL NO.	9 9 3 4 0 0	REMARKS
1	AZ33489	CONTROL VALVE	1		XX	ASSY
2	AZ33504	PLUG	1		XX	
3	H35230	BACK-UP RING	1		XX	
4	T13119	O-RING	AR		XX	
5	N111493	SPRING	1		XX	
6	AN30940	POPPET	1		XX	
7	AZ17996	VALVE SEAT INSERT	1		XX	
8	R27166	O-RING	1		XX	
9	R375R	O-RING	7		XX	
10	SPOOL VALVE	7		XX	NSEP
11	AH63330	RELIEF VALVE	1		XX	
12	H63357	BACK-UP RING	1		XX	
13	R26287	O-RING	1		XX	
14	R31631	DRAIN PLUG	1		XX	
15	N111488	BUSHING	3		XX	
16	N31767	WASHER	6		XX	
17	H62801	BUSHING	3		XX	
18	H60819	SPRING	3		XX	
19	32244	SNAP RING	3		XX	KIT, INCL KEYS 3,4,8,9,12,13 GRID 2E13,2,7,8,10,11, GRID 2E15
20	AH78788	PLUG	3		XX	
..	AZ24156	KIT	1		XX	

(1E15) 3 SPOOL CONTROL VALVE
DISTRIBUTEUR A 3 ELEMENTS
3 FACH STEUERGERAET
DISTRIBUTORE 3 STELE
VALVULA DE MANDO DE 3 EMBOLOS DE DISTRIBUCION
3 SPOLIG MANOVERVENTIL

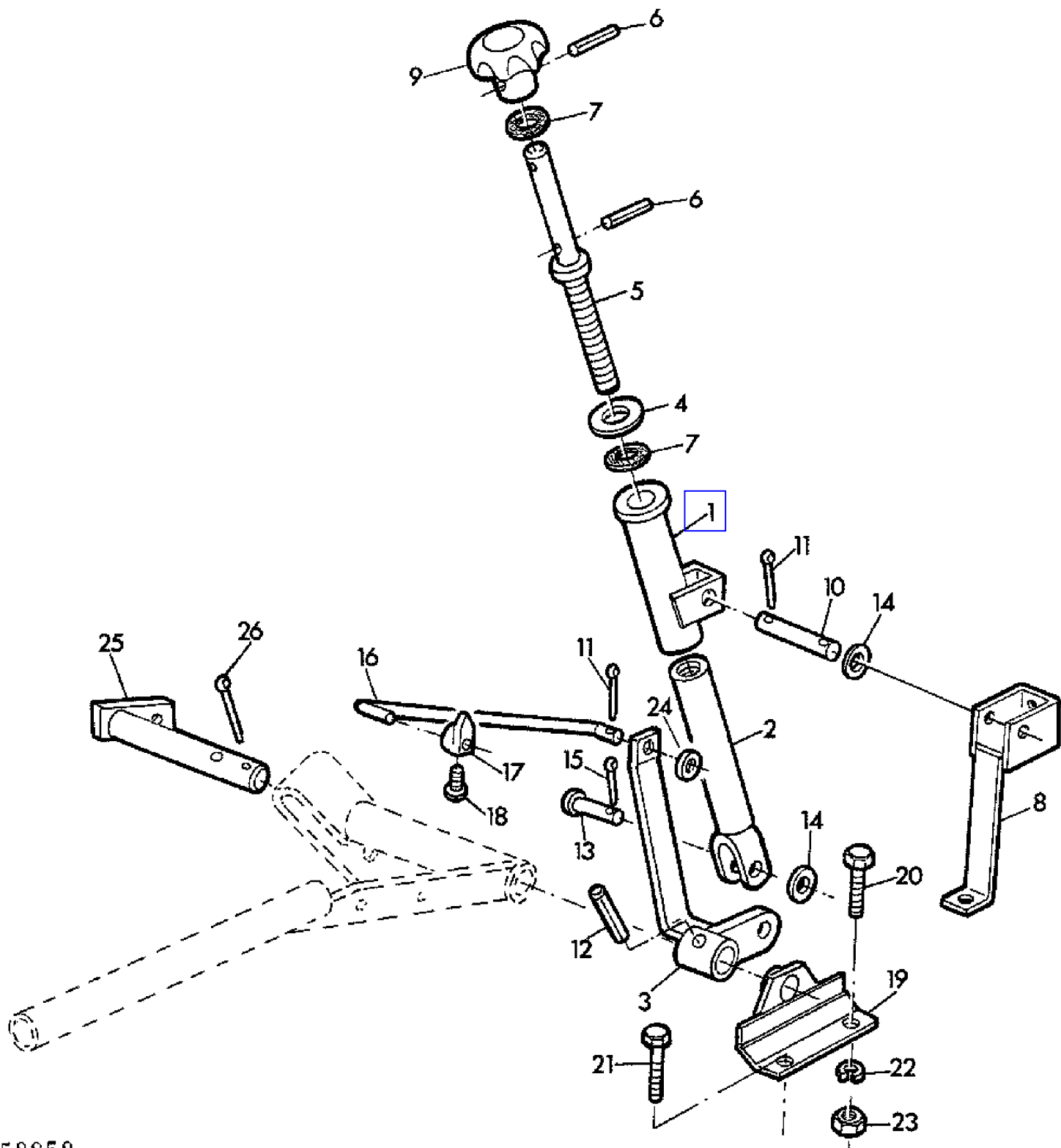


Z 106417

(1E15) 3 SPOOL CONTROL VALVE
 DISTRIBUTEUR A 3 ELEMENTS
 3 FACH STEUERGERAET
 DISTRIBUTORE 3 STELE
 VALVULA DE MANDO DE 3 EMBOLOS DE DISTRIBUCION
 3 SPOLIG MANOVERVENTIL

KEY	PART NO.	PART NAME	QTY	SERIAL NO.	9 9 3 4 0 0	REMARKS
1	Z43510	PISTON	2		XX	
2	R27166	O-RING	1		XX	
3	AZ17996	VALVE SEAT INSERT	3		XX	
4	AN30940	POPPET	2		XX	
5	N111493	SPRING	2		XX	
6	AZ33505	ADAPTER	3		XX	
7	T13119	O-RING	6		XX	
8	H35230	BACK-UP RING	6		XX	
9	Z23364	ORIFICE	1		XX	ID = 1,4 MM
10	AH80223	POPPET	1		XX	
11	H84537	GUIDE	1		XX	
12	H81705	SPRING	1		XX	
13	Z23713	ORIFICE	1		XX	ID = 2,514 MM
14	Z43508	PISTON	2		XX	

(1D06) ADJUSTING SPINDLE FOR VARIABLE SHEAVES CYLINDER
MOYEU DU VARIATEUR DU BATTEUR
VERSTELLSPINDEL FUER DRESCHTROMMELVARIATOR
ASTA REGISTRABILE DEL VARIATORE DEL BATTITORE
HUSILLO DE AJUSTE PARA EL VARIADOR DEL CILINDRO
JUSTERSPINDEL FOER CYLINDERVARIATOR

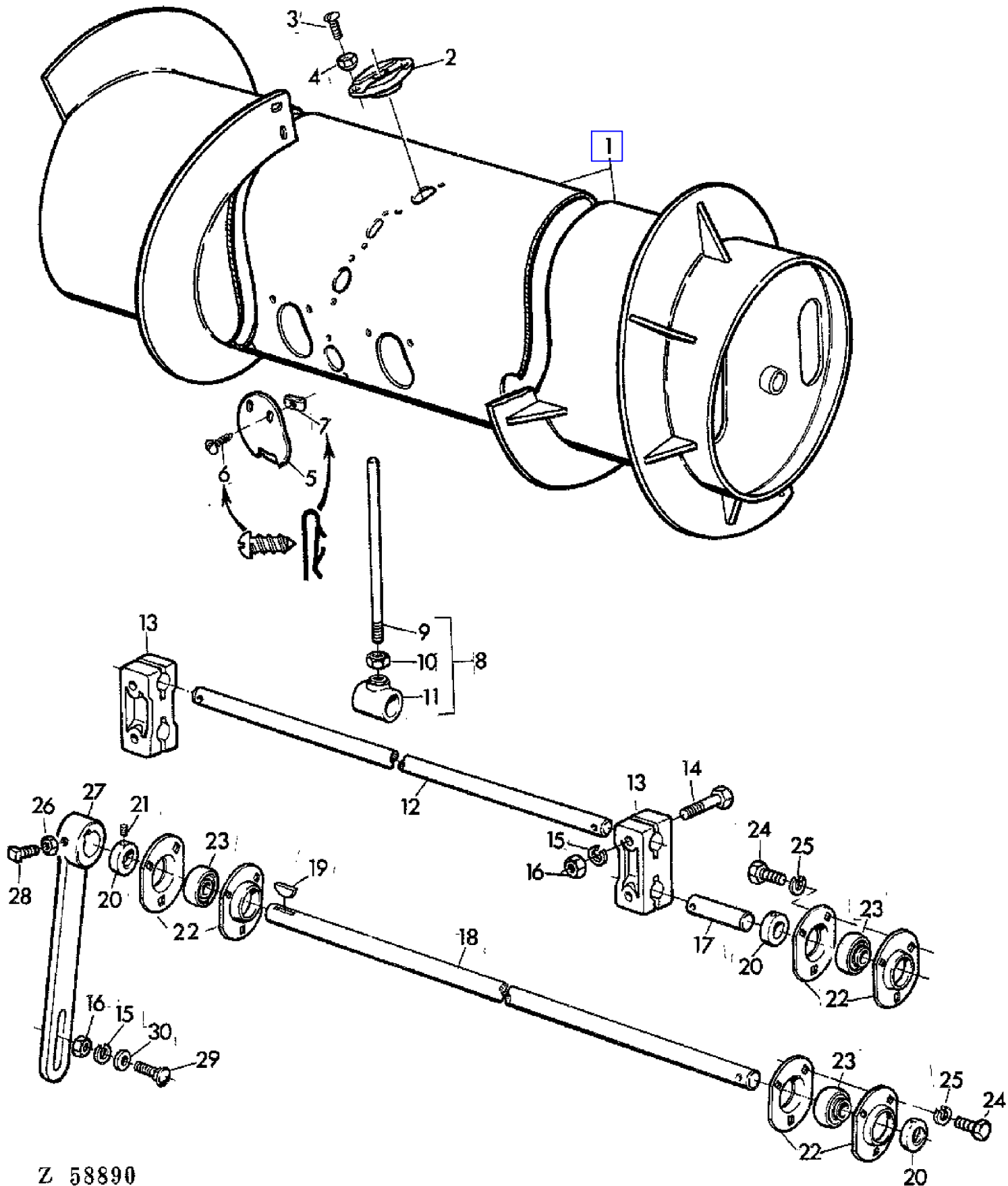


Z 58858

(1D06) ADJUSTING SPINDLE FOR VARIABLE SHEAVES CYLINDER
 MOYEU DU VARIATEUR DU BATTEUR
 VERSTELLSPINDEL FUER DRESCHTROMMELVARIATOR
 ASTA REGISTRABILE DEL VARIATORE DEL BATTITORE
 HUSILLO DE AJUSTE PARA EL VARIADOR DEL CILINDRO
 JUSTERSPINDEL FOER CYLINDERVARIATOR

KEY	PART NO.	PART NAME	QTY	SERIAL NO.	9 9 3 4 0 0	REMARKS
1	AZ19451	BUSHING	1		XX	
2	AZ19450	FORK	1		XX	
3	AZ19449	LEVER	1		XX	
4	L18946	WASHER	1		XX	
5	AZ19452	LIFT LINK	1		XX	
6	34M7031	SPRING PIN	2		XX	5 X 24 MM
7	Z32829	WASHER	2		XX	(SUB FOR 24M7041)
8	AZ19453	BRACKET	1		XX	
9	Z30841	KNOB	1		XX	
10	Z30880	PIN	1		XX	
11	11M7011	COTTER PIN	3		XX	3 X 15 MM
12	34M7046	SPRING PIN	1		XX	8 X 36 MM
13	45M4901	PIN	1		XX	12 X 40 X 35 MM
14	24M7043	WASHER	4		XX	12 MM
15	11M7020	COTTER PIN	3		XX	4 X 25 MM
16	Z29950	HOOK	1		XX	
17	AZ19704	GAUGE	1		XX	
18	21M7140	SCREW	1		XX	M5 X 10
19	AZ18547	BRACKET	2		XX	
20	19M7167	CAP SCREW	2		XX	M10 X 25
21	19M7288	CAP SCREW	2		XX	M8 X 30
22	12M7013	LOCK WASHER	2		XX	10 MM
23	14M7140	NUT	2		XX	M10
24	24M7054	WASHER	1		XX	6,4 MM
25	AZ18540	SHAFT	1		XX	
26	11M7029	COTTER PIN	1		XX	5 X 40 MM

(1118) AUGER
VIS SANS FIN D'ALIMENTATION
EINZUGSSCHNECKE
COCLEA INTRODUTTRICE
TRANSPORTADOR HELICOIDAL
INMATNINGSRULLE

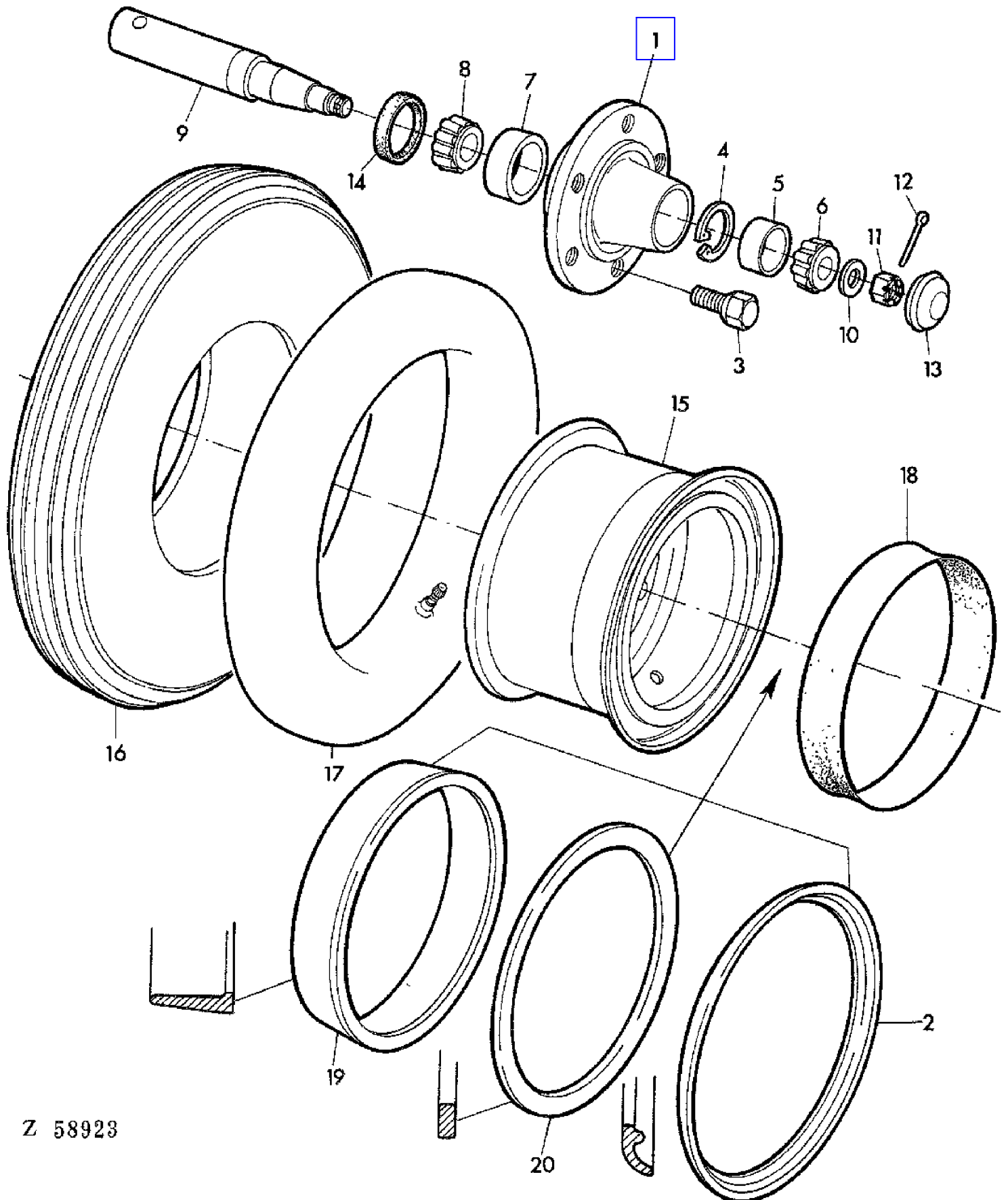


Z 58890

(1118) AUGER
 VIS SANS FIN D'ALIMENTATION
 EINZUGSSCHNECKE
 COCLEA INTRODUTTRICE
 TRANSPORTADOR HELICOIDAL
 INMATNINGSRULLE

KEY	PART NO.	PART NAME	QTY	SERIAL NO.	9 9 3 4 0 0	REMARKS
1	AZ15564	AUGER	1		X	7'9"
	AZ15563	AUGER	1		X	8,5' (ORD AZ34154 W/ AZ34168)
	AZ15562	AUGER	1		X	10' (ORD AZ34155 W/ AZ34168)
2	Z30752	GUIDE	10		X	
3	21M7031	SCREW	20		X	M6 X 15
4	14M7165	LOCK NUT	20		X	M6
5	Z22294	COVER	2		X	
6	37M7009	SCREW	4		X	5,5 X 19 MM
7	Z20443	NUT	4		X	
8	AZ15493	FINGER	10		X	ASSY
9	Z26570	FINGER	10		X	
10	14M7131	NUT	10		X	M16 X 1,5
11	AZ20696	BEARING	10		X	
12	Z32715	SHAFT	1		X	(SUB FOR Z20442)
13	Z10579	DRIVER	2		X	(SUB FOR Z10114)
14	19M7287	CAP SCREW	4		X	M10 X 50
15	12M7013	LOCK WASHER	5		X	10 MM
16	14M7140	NUT	5		X	M10
17	Z20441	PIN	1		X	
18	Z21430	SHAFT	1		X	7'9", 8,5'
	Z21449	SHAFT	1		X	10'
19	26M4228	SHAFT KEY	1		X	8 X 11 MM
20	AZ10044	ECCENTRIC LOCKING COLLAR	3		X	
21	AZ19843	SET SCREW	3		X	KIT
22	P47232	PRESSED FLANGED HOUSING	6		X	
23	JD39102	BALL BEARING	3		X	
24	19M7139	CAP SCREW	9		X	M8 X 20
25	12M7008	LOCK WASHER	9		X	8 MM
26	14M7029	NUT	10		X	M8
27	AZ29569	LEVER	1		X	(SUB FOR Z10060)
28	Z32432	SET SCREW	1		X	8 X 20 MM (SUB FOR Z25976)
29	03M7017	BOLT	1		X	M10 X 25
30	24M7040	WASHER	1		X	11 MM

(2G20) AXLE BEARING CUTTING PLATFORM
PALIER DE ROUE REMORQUE (PLATE-FORME DE COUPE)
ACHSLAGER SW
FUSELLO DELLA RUOTA, RIMORCHIO PLATTAFORMA DI TAGLIO
PALIER DEL REMOLQUE PARA PLATAFORMAS DE CORTE
HJULLAGER, VAGN FOER SKAERBORD

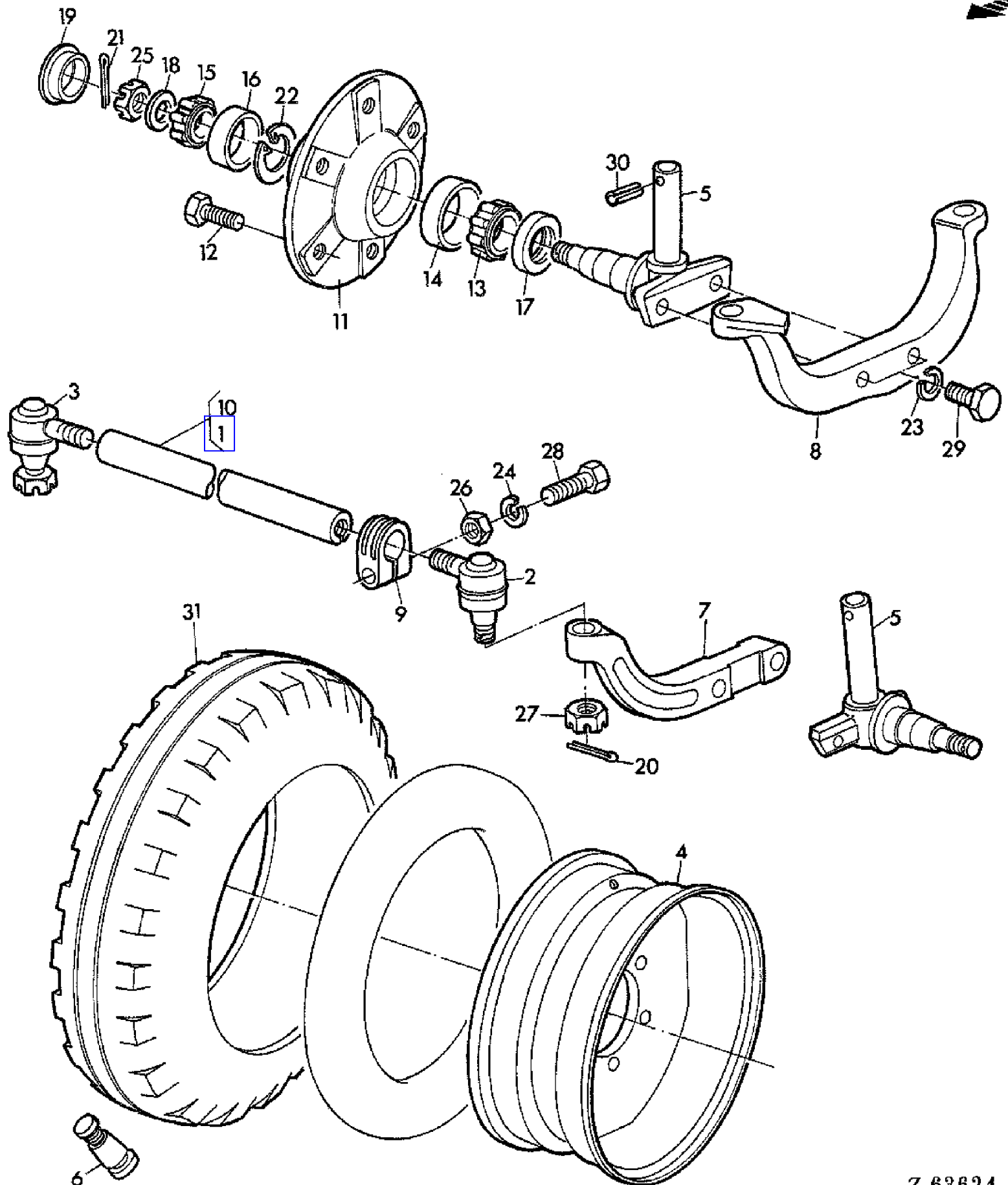


Z 58923

(2G20) AXLE BEARING CUTTING PLATFORM
 PALIER DE ROUE REMORQUE (PLATE-FORME DE COUPE)
 ACHSLAGER SW
 FUSIELLO DELLA RUOTA,RIMORCHIO PLATTAFORMA DI TAGLIO
 PALIER DEL REMOLQUE PARA PLATAFORMAS DE CORTE
 HJULLAGER, VAGN FOER SKAERBORD

KEY	PART NO.	PART NAME	QTY	SERIAL NO.	9 9 3 4 0 0	REMARKS
1	Z21622	HUB	2		XX	
2	Z31534	RING	1		XX	LH
3	JD22	WHEEL BOLT	12		XX	
4	40M1864	SNAP RING	2		XX	50 X 2 MM
5	JD8239	BEARING CUP	2		XX	
6	JD8905	BEARING CONE	2		XX	
7	JD8230	BEARING CUP	2		XX	
8	JD8194	BEARING CONE	2		XX	
9	Z31531	AXLE	2		XX	
10	T10510	WASHER	2		XX	
11	14H902	NUT	2		XX	3/4"
12	11M7024	COTTER PIN	2		XX	4 X 40 MM
13	T12688	CAP	2		XX	
14	AR49592	SEAL	2		XX	
15	AZ20201	RIM	1		XX	LH, ASSY, INCL KEY 2,19,20
16	AZ10856	RIM	1		XX	RH
	TIRE	1		XX	LH, 7-10 AM
	TIRE	1		XX	RH, 7-12 AM
17	INNERTUBE	1		XX	LH, 7-10 AM
	INNERTUBE	1		XX	RH, 7-12 AM
18	Z32176	LINING	1		XX	LH
19	Z31535	RING	1		XX	LH
20	Z31533	RING	1		XX	LH

(1A12) AXLE SPINDLE WITH HUB AND WHEEL
FUSEE AVEC MOYEU ET ROUES
ACHSSCHENKEL MIT NABE UND RAEDER
PERNO FUSCO CON MOZZO E RUOTA
EJE CON CUBO Y RUEDA
AXEL MED NAV OCH HJUL

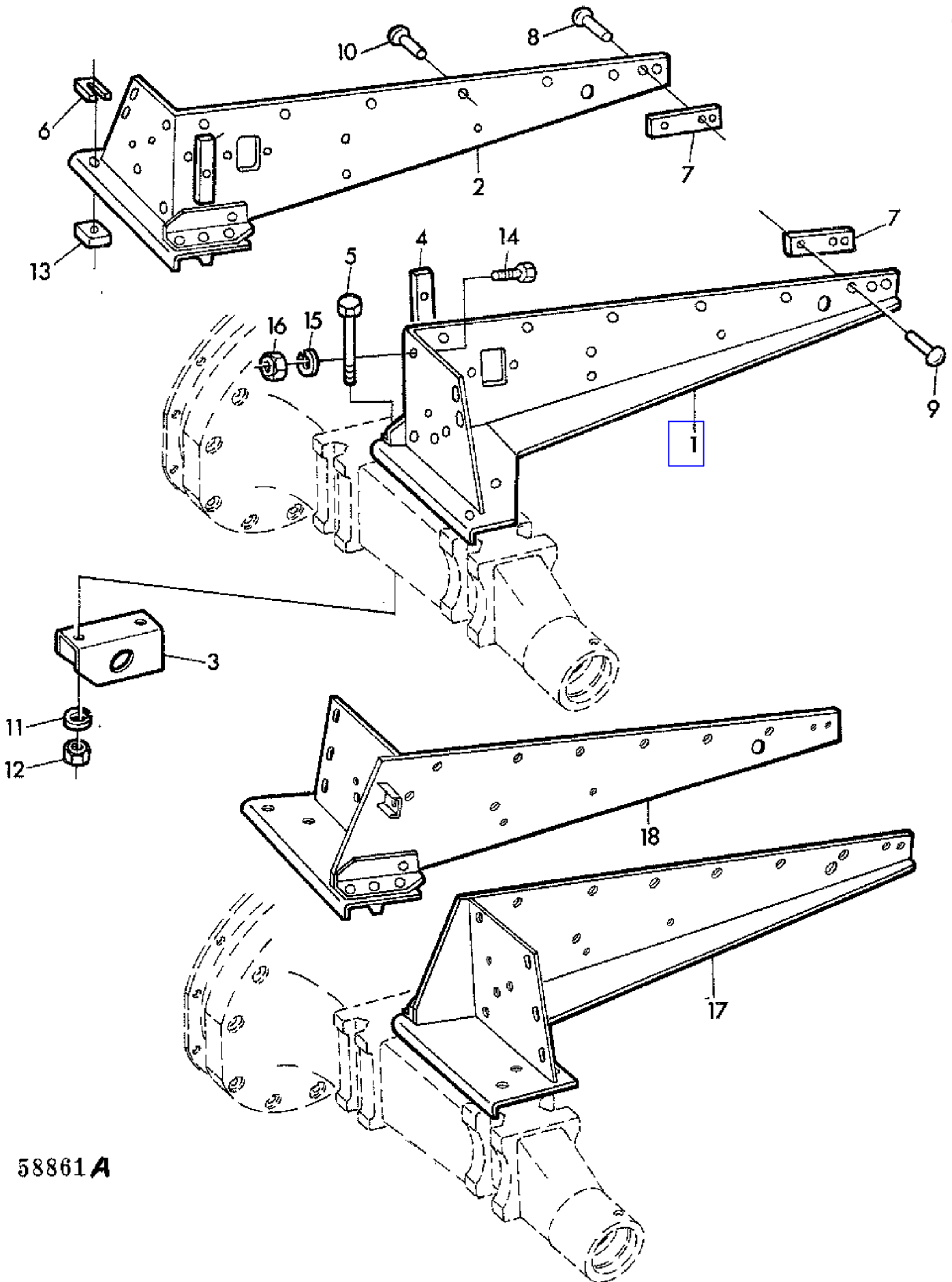


Z 63624

(1A12) AXLE SPINDLE WITH HUB AND WHEEL
 FUSEE AVEC MOYEU ET ROUES
 ACHSSCHENKEL MIT NABE UND RAEDER
 PERNO FUSCO CON MOZZO E RUOTA
 EJE CON CUBO Y RUEDA
 AXEL MED NAV OCH HJUL

KEY	PART NO.	PART NAME	QTY	SERIAL NO.	9 9 3 4 0 0	REMARKS
1	AZ10849	TIE ROD	1		X X	ASSY, INCL KEYS 2,3,9,10 24,26,28 LH, INCL KEY 27 RH, INCL KEY 27
2	AZ10850	BALL JOINT	1		X X	
3	AZ10851	BALL JOINT	1		X X	
4	AZ10881	RIM	2		X X	5.50 - F16
	AZ12854	RIM	2		X X	7.00 - 12
5	AZ13579	KNUCKLE	2		X X	
6	AZ16587	TIRE VALVE STEM	2		X X	
7	Z10599	LEVER	1		X X	
8	Z10600	LEVER	1		X X	
9	Z21586	CLAMP	2		X X	
10	Z21587	TIE ROD	1		X X	
11	Z21622	HUB	2		X X	
12	JD22B	WHEEL BOLT	12		X X	
13	JD8194	BEARING CONE	2		X X	
14	JD8230	BEARING CUP	2		X X	
15	JD8905	BEARING CONE	2		X X	
16	JD8239	BEARING CUP	2		X X	
17	AR49592	SEAL	2		X X	
18	T10510	WASHER	2		X X	
19	T12688	CAP	2		X X	
20	11M7016	COTTER PIN	2		X X	3 X 25 MM
21	11M7024	COTTER PIN	2		X X	4 X 40 MM
22	40M1864	SNAP RING	2		X X	
23	12M7017	LOCK WASHER	4		X X	16 MM
24	12M7008	LOCK WASHER	2		X X	8 MM
25	14H902	NUT	2		X X	3/4"
26	14M7014	NUT	2		X X	M8
27	14M7177	NUT	2		X X	M12
28	19M7322	CAP SCREW	2		X X	M8 X 35
29	19M7417	CAP SCREW	4		X X	M16 X 65
30	34M7744	SPRING PIN	2		X X	6 X 50 MM
31	TIRE	2		X	8,50-12
	TIRE	2		X X	7,50-16

(1A16) AXLE SUPPORT BRACKET
SUPPORT D'ESSIEU
ACHSTRAEGER-KONSOLE
SOPORTE DEL ASSALE
SOPORTE DEL EJE
UPPHAENGNING FOER AXEL

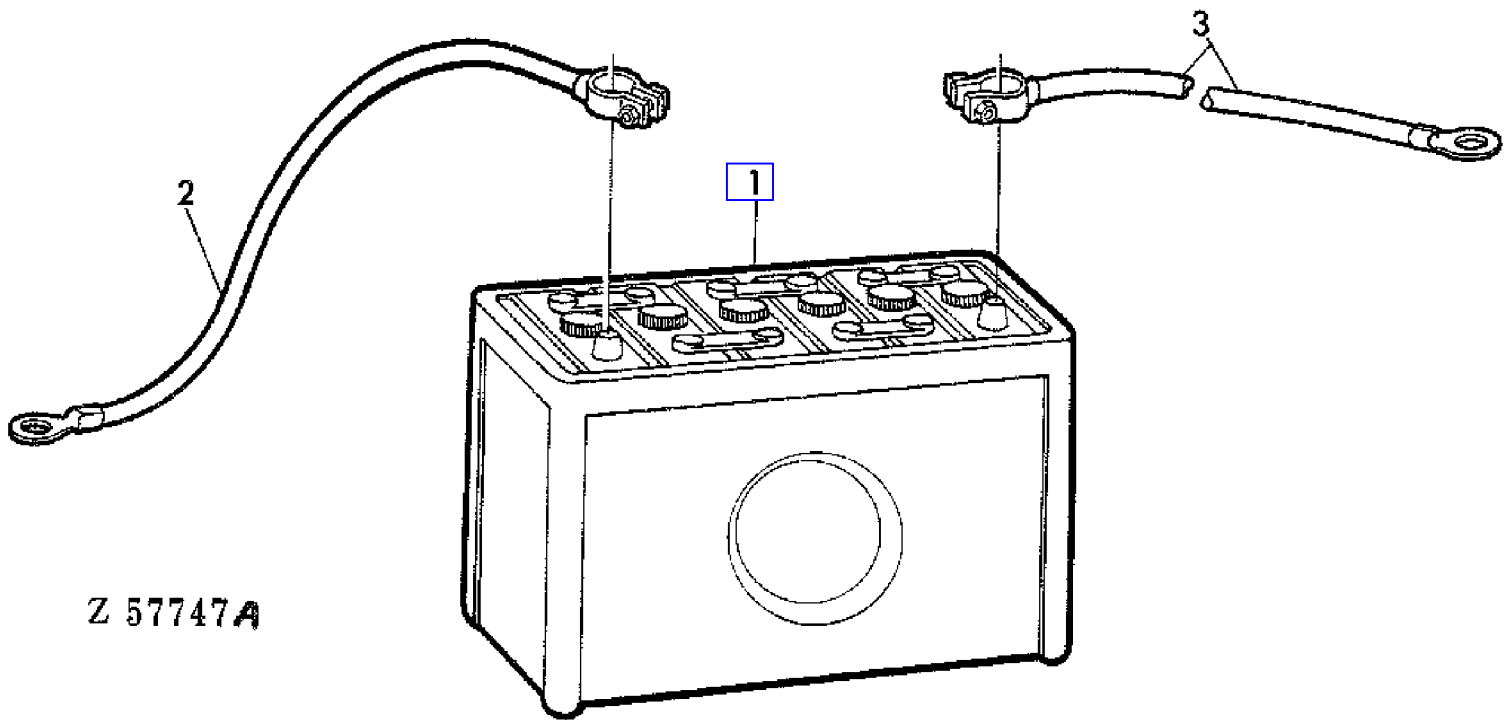


Z 58861A

(1A16) AXLE SUPPORT BRACKET
 SUPPORT D'ESSIEU
 ACHSTRAEGER-KONSOLE
 SUPPORTE DEL ASSALE
 SOPORTE DEL EJE
 UPPHAENGNING FOER AXEL

KEY	PART NO.	PART NAME	QTY	SERIAL NO.	9 9 3 4 0 0	REMARKS
1	AZ20008	FRONT AXLE SUPPORT	1		X	LH
2	AZ20008	FRONT AXLE SUPPORT	1	- 941030	X	LH
	AZ14573	FRONT AXLE SUPPORT	1		X	RH
3	AZ14573	FRONT AXLE SUPPORT	1	- 941030	X	RH
	Z27806	RETAINER	1		X X	LH
	Z27807	RETAINER	1		X X	RH
4	Z36836	STRAP	2		X X	(SUB FOR Z29300)
5	19M7259	CAP SCREW	8		X X	M20 X 240
6	Z25823	SHIM	AR		X X	
7	Z27998	REINFORCEMENT	2		X X	
8	16M2553	RIVET	4		X X	8 X 35 MM
9	16M1533	RIVET	2		X X	10 X 38 MM
10	16M1528	RIVET	12		X X	10 X 28 MM
11	12M7039	LOCK WASHER	4		X X	20 MM
12	14M7144	NUT	4		X X	M20
13	Z10384	SPACER	2		X X	
14	19M7285	CAP SCREW	4		X X	M12 X 30
15	12M7014	LOCK WASHER	4		X X	12 MM
16	14M7031	NUT	4		X X	M12
17	AZ21178	FRONT AXLE SUPPORT	1	941031 -	X	LH
18	AZ21177	FRONT AXLE SUPPORT	1	941031 -	X	RH

(1D22) BATTERY
BATTERIE
BATTERIE
BATTERIA
BATERIA
BATTERI

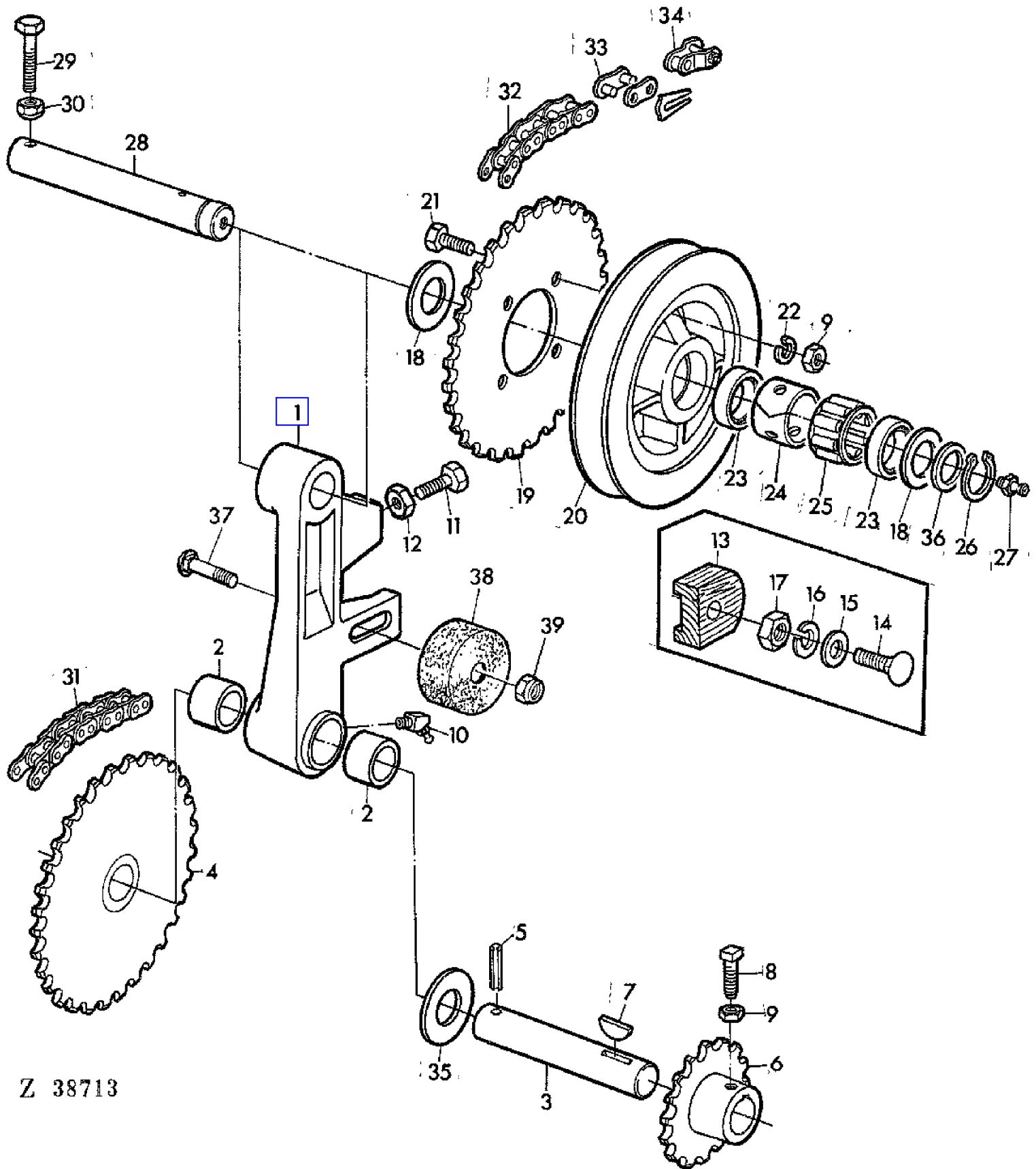


Z 57747A

(1D22) BATTERY
BATTERIE
BATTERIE
BATTERIA
BATERIA
BATTERI

KEY	PART NO.	PART NAME	QTY	SERIAL NO.	9 9 3 4 0 0	REMARKS
1	BATTERY	1		X X	12V 90AH (345 MM X 173 MM)
2	AZ13217	CABLE	1		X X	
3	AZ14775	CABLE	1		X X	

(1112) BEARING ARM WITH SHAFT
BRAS A ROULEMENT AVEC ARBRE
LAGERARM MIT WELLE
BRACCIO PORTA CUSCINETTI CON ALBERO
BRAZO DE RODILLOS CON EJE
LAGERARM MED AXEL

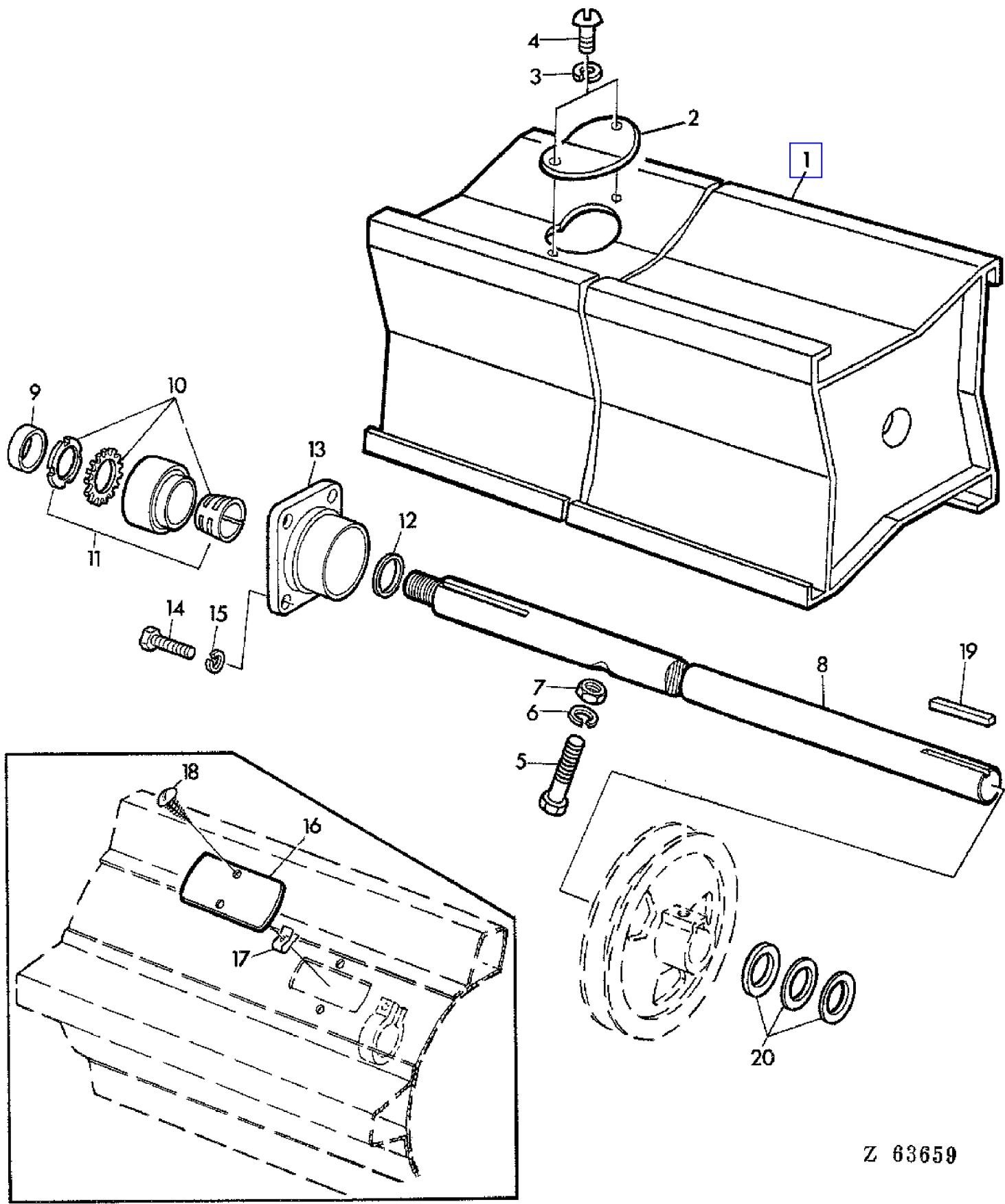


Z 38713

(1112) BEARING ARM WITH SHAFT
BRAS A ROULEMENT AVEC ARBRE
LAGERARM MIT WELLE
BRACCIO PORTA CUSCINETTI CON ALBERO
BRAZO DE RODILLOS CON EJE
LAGERARM MED AXEL

KEY	PART NO.	PART NAME	QTY	SERIAL NO.	9 3 0	4 0	REMARKS
1	AZ10238	HOLDER	1		X		
2	Z20414	BUSHING	2		X		
3	Z20462	SHAFT	1		X		
4	AZ10224	CHAIN SPROCKET	1		X		Z = 42
5	34M7042	SPRING PIN	1		X		6 X 40 MM
6	Z20101	CHAIN SPROCKET	1		X		Z = 13
7	Z20100	CHAIN SPROCKET	1		X		Z = 21
8	26M6732	SHAFT KEY	1		X		6 X 11 MM
8	Z32432	SET SCREW	1		X		8 X 20 MM (SUB FOR Z25976)
9	14M7029	NUT	5		X		M8
10	58M5632	LUBRICATION FITTING	1		X		6 MM
11	19M7387	CAP SCREW	1		X		M12 X 40
12	14M7031	NUT	1		X		M12
13	Z27775	TIGHTENER	1		X		(SUB FOR Z20418)
14	03M7079	BOLT	1		X		M10 X 55
15	24M7040	WASHER	1		X		11 MM
16	12M7013	LOCK WASHER	1		X		10 MM
17	14M7140	NUT	1		X		M10
18	Z26245	WASHER	2		X		(SUB FOR L19970)
19	Z20463	CHAIN SPROCKET	1		X		Z = 42
20	Z10105	PULLEY	1		X		
21	19M7163	CAP SCREW	4		X		M8 X 25
22	12M7008	LOCK WASHER	4		X		8 MM
23	AZ12150	SEAL	2		X		
24	JD37523	BEARING RACE	1		X		
25	JD37349	NEEDLE BEARING	1		X		
26	40M1828	SNAP RING	1		X		25 X 1,2 MM
27	58M5573	LUBRICATION FITTING	1		X		6 MM
28	Z20461	SHAFT	1		X		
29	19M7274	CAP SCREW	1		X		M8 X 70
30	14M7166	LOCK NUT	1		X		M8
31	AZ10252	LINK CHAIN	1		X		L = 64
32	AZ10253	LINK CHAIN	1		X		L = 52
33	AL14207	LINK	1		X		
34	AZ12881	LINK	1		X		
35	Z26241	WASHER	AR		X		(SUB FOR L19380)
36	Z24651	WASHER	AR		X		(SUB FOR L19223)
37	03M7073	BOLT	1		X		M10 X 60
38	Z41483	TIGHTENER	1		X		(SUB FOR Z27775)
39	14M7167	LOCK NUT	1		X		M10

(2C04) BEATER
TIRE-PAILLE
WENDETROMMEL
MULINELLO LANCIA PAGLIA
CILINDRO LANZAPAJAS
HALMVINDA BAKOM CYLINDER

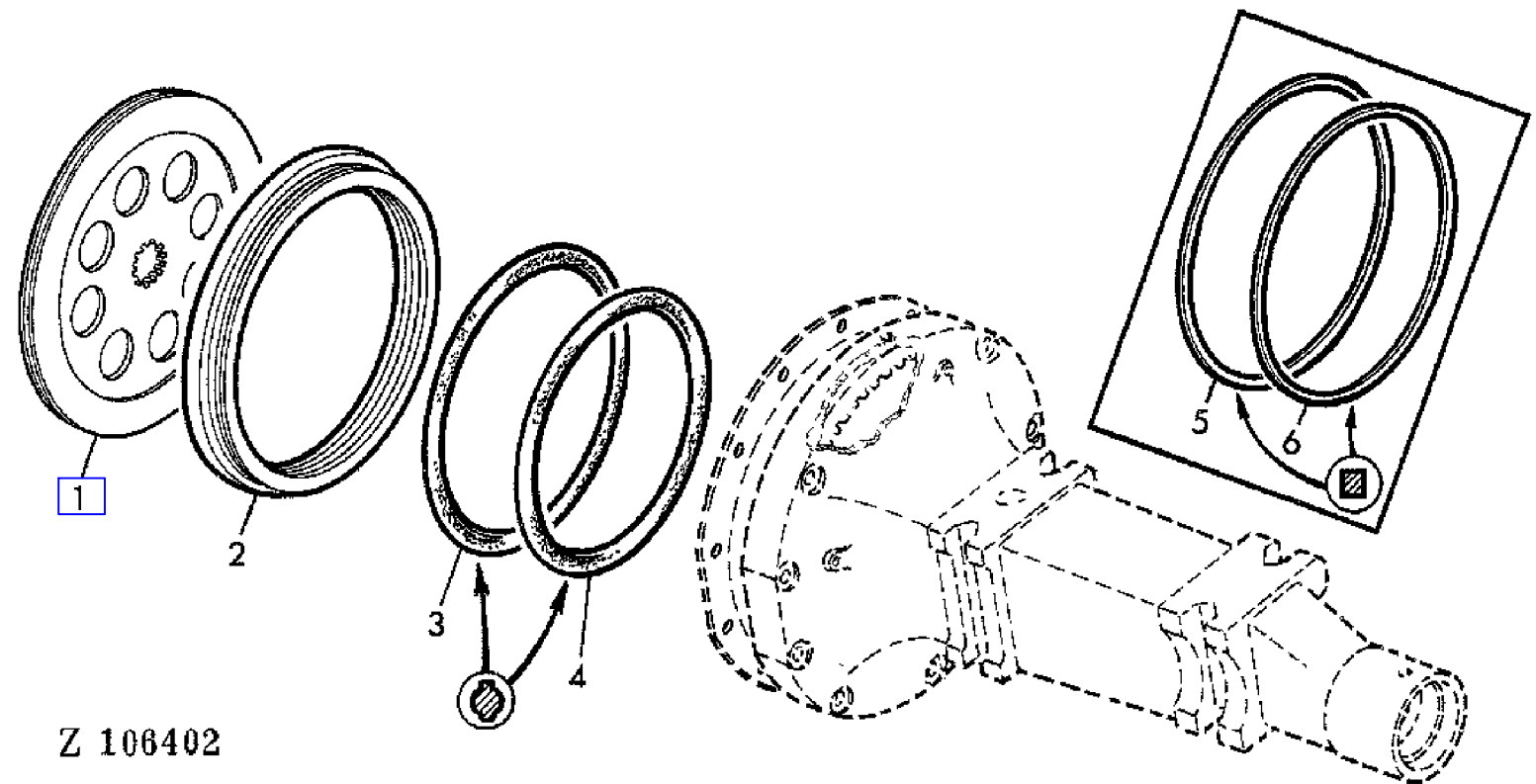


Z 63659

(2C04) BEATER
 TIRE-PAILLE
 WENDETRÖMMEL
 MULINELLO LANCIA PAGLIA
 CILINDRO LANZAPAJAS
 HALMVINDA BAKOM CYLINDER

KEY	PART NO.	PART NAME	QTY	SERIAL NO.	9 9 3 4 0 0	REMARKS
1	AZ20896	BEATER	1		X X	ASSY, INCL KEYS 2-7 (SUB FOR AZ23288)
2	Z28012	COVER	1		X X	
3	12M7008	LOCK WASHER	2		X X	8 MM
4	21M7091	SCREW	2		X X	M8 X 12
5	19M7214	CAP SCREW	1		X X	M12 X 70
6	12M7014	LOCK WASHER	1		X X	12 MM
7	14M7031	NUT	1		X X	M12
8	Z30817	SHAFT	1		X	
	Z30817	SHAFT	1	- 941030	X	
9	Z32703	SHAFT	1	941031 -	X	
	Z30809	SPACER	2		X X	
10	AZ19851	BALL BEARING	2		X X	ASSY
11	AZ19431	BALL BEARING	2		X X	ASSY, INCL KEY 10
12	Z30808	WASHER	1		X X	
13	Z10380	CASE	2		X X	
14	19M7167	CAP SCREW	8		X X	M10 X 25
15	12M7013	LOCK WASHER	8		X X	10 MM
16	Z34285	COVER	1		X X	AR
17	Z20443	NUT	2		X X	AR
18	37M7009	SCREW	2		X X	AR, 5,5 X 19 MM
19	49M5992	SHAFT KEY	1		X X	10 X 8 X 63 MM
20	24M3756	WASHER	3		X X	

(1A18) BRAKE PRESSURE RING
PLATEAU DE PRESSION DE FREIN
BREMSDRUCKRING
ANELLO DI PRESSIONE DEL FRENO
ARO DE PRESION DEL FRENO
BROMSTRYCKSKIVA

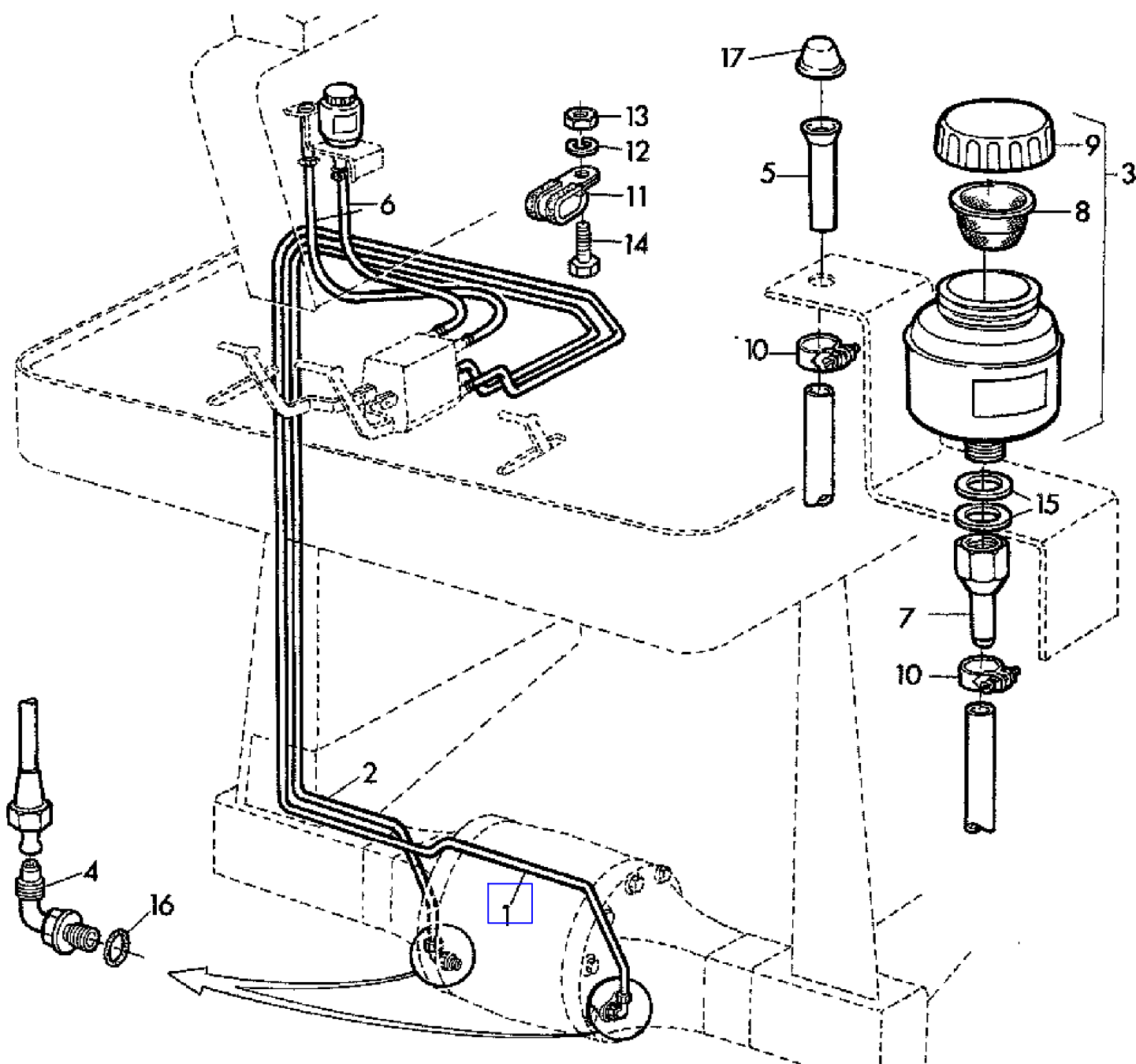


Z 106402

(1A18) BRAKE PRESSURE RING
PLATEAU DE PRESSION DE FREIN
BREMSDRUCKRING
ANELLO DI PRESSIONE DEL FRENO
ARO DE PRESION DEL FRENO
BROMSTRYCKSKIVA

KEY	PART NO.	PART NAME	QTY	SERIAL NO.		9 9 3 4 0 0	REMARKS
1	AT22034	BRAKE DISK	2			X X	
2	Z11111	BRAKE ACTUATING DISK	2			X X	(SUB FOR T21807, T38063, T46728)
3	L39803	O-RING	2	XXXX	-	X X	(SUB FOR R50703)
4	L39804	O-RING	2	XXXX	-	X X	(SUB FOR R50704)
5	R50704	SEALING WASHER	2		- XXXX	X X	(ORD AL37573) (SUB FOR T22103)
6	R50703	WASHER	2		- XXXX	X X	(ORD AL37573) (SUB FOR T22102)
..	AL37573	O-RING KIT	1		- XXXX	X X	KIT, INCL KEYS (2) 3, (2) 4

(1F25) BRAKE SYSTEM
SYSTEME DE FREINAGE
BREMSSYSTEM
IMPIANTO FRENANTE
SISTEMA DE FRENO
BROMSSYSTEM

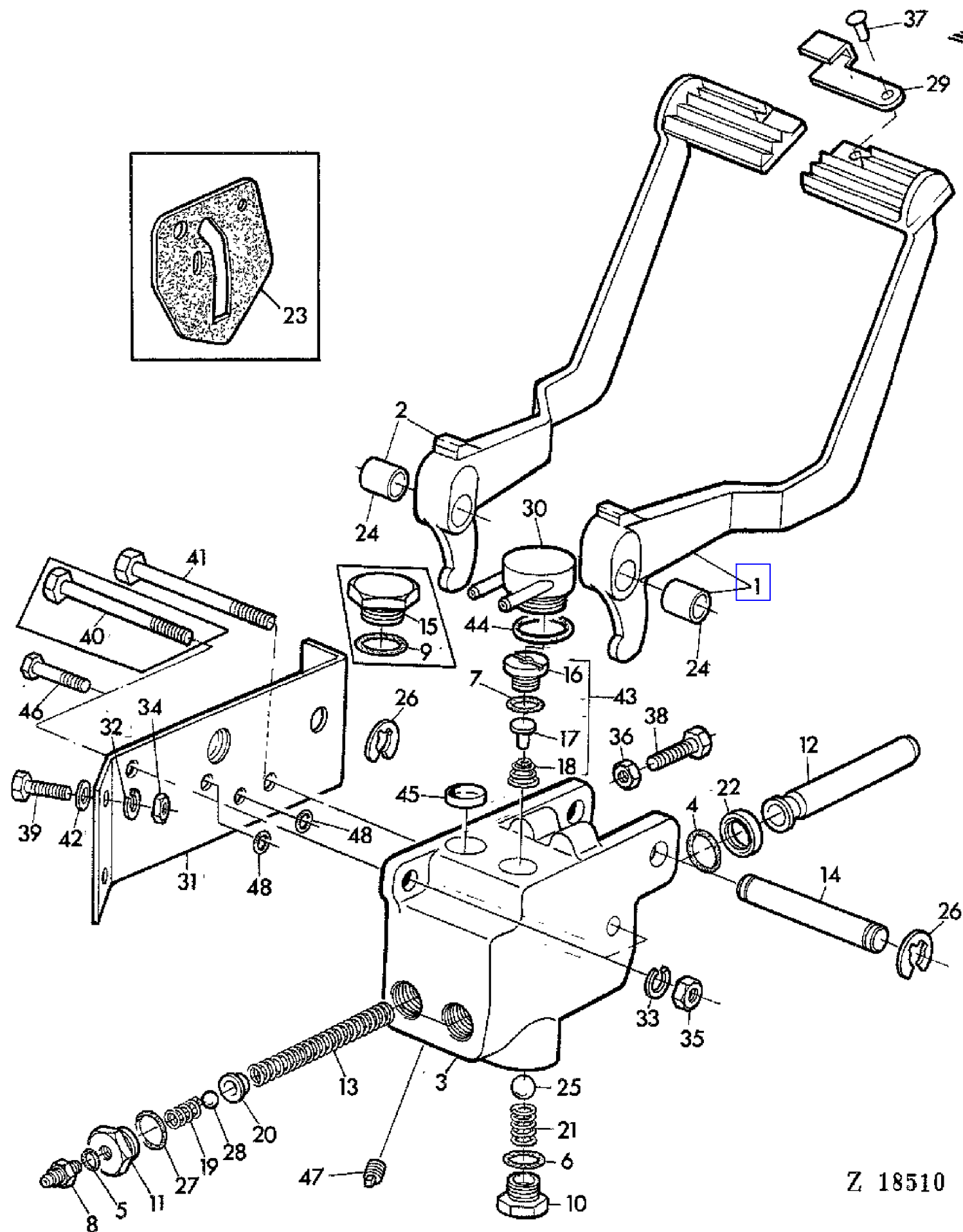


Z 58872

(1F25) BRAKE SYSTEM
SYSTEME DE FREINAGE
BREMSSYSTEM
IMPIANTO FRENANTE
SISTEMA DE FRENO
BROMSSYSTEM

KEY	PART NO.	PART NAME	QTY	SERIAL NO.	9 9 3 4 0 0	REMARKS
1	AZ19327	LINE	1		X	
	AZ19327	LINE	1	- 941030	X	
	AZ21179	LINE	1	941031 -	X	
2	AZ19328	LINE	1		X	
	AZ19328	LINE	1	- 941030	X	
	AZ21180	LINE	1	941031 -	X	
3	AZ21011	OIL CUP	1		X X	INCL KEYS 8,9 (SUB FOR 20530)
4	AR26746	ELBOW FITTING	2		X X	
5	Z27645	BREATHER	1		X X	
6	Z27991	HOSE	2		X X	
7	Z27992	THREADED NIPPLE	1		X X	
8	Z27996	STRAINER	1		X X	
9	Z27997	COVER	1		X X	
10	Z28856	CLAMP	2		X X	
11	Z29668	CLAMP	1		X X	
12	12M7012	LOCK WASHER	1		X X	6 MM
13	14M7027	NUT	1		X X	M6
14	19M7286	CAP SCREW	1		X X	M6 X 25
15	51M4244	RING	2		X X	
16	R26287	O-RING	2		X X	
17	Z22711	PLUG	1		X X	

(1B11) BRAKE VALVE AND FEET PEDALS
SOUPAPE DE FREIN ET PEDALE
BREMSVENTIL UND FUSSEBEL
VALVOLA FRENI E PEDALE
VALVULA DE MANDO DEL FRENO Y PEDALES
BROMSVENTIL OCH PEDALER



Z 18510

(1B11) BRAKE VALVE AND FOOT PEDALS
SOUPAPE DE FREIN ET PEDALE
BREMSVENTIL UND FUSSHEBEL
VALVOLA FRENI E PEDALE
VALVULA DE MANDO DEL FRENO Y PEDALES
BROMSVENTIL OCH PEDALER

KEY	PART NO.	PART NAME	QTY	SERIAL NO.	99 34 00	REMARKS
1	AZ14582	PEDAL	1		XX	ASSY, INCL KEY 24
2	AZ14821	PEDAL	1		XX	ASSY, INCL KEY 24
3	AR63616	HOUSING	1		XX	(SUB FOR AT20766) (ORD W/ KEY 45)
4	R495R	O-RING	2		XX	
5	R26287	O-RING	2		XX	
6	R26375	O-RING	2		XX	
7	R29606	O-RING	1		XX	
8	R27139	FITTING	2		XX	(SUB FOR R27527)
9	R29936	O-RING	1		XX	(A)
10	R39112	FITTING	2		XX	
11	R50110	FITTING	2		XX	
12	R50111	PISTON	2		XX	(ORD (2) L34040)
13	L34040	PISTON	2		XX	(SUB FOR L31840, R50111)
14	R50112	SPRING	2		XX	
14	T49189	PIN	1		XX	(SUB FOR T21803)
15	T21806	DRAIN PLUG	1		XX	(A)
16	CHECK VALVE	1		XX	NSEP (ORD KEY 43)
17	VALVE	1		XX	NSEP (ORD KEY 43)
18	SPRING	1		XX	NSEP (ORD KEY 43)
19	T21814	SPRING	2		XX	
20	T21815	RETAINER	2		XX	
21	T21816	SPRING	2		XX	
22	T22101	SEAL	2		XX	
23	T30687	GASKET	2		XX	
24	B177	BUSHING	2		XX	
25	D2361R	BALL	2		XX	
26	F2863R	SNAP RING	2		XX	
27	F3171R	O-RING	2		XX	
28	400R	BALL	2		XX	
29	Z21757	LEVER	1		XX	
30	AZ21028	ADAPTER	1		XX	INCL KEY 44 (SUB FOR Z30209)
31	Z30213	BRACKET	1		XX	(ORD Z36749 W/ (2) R62513)
31	Z36749	BRACKET	1		XX	
32	12M7008	LOCK WASHER	2		XX	8 MM
33	12M7014	LOCK WASHER	2		XX	12 MM
34	14M7014	NUT	2		XX	M8
35	14M7031	NUT	2		XX	M12
36	14H342	NUT	1		XX	3/8"
37	16M2549	RIVET	1		XX	8 X 25 MM

(A) (-930419)
(-941310)

(B) (930420-)
(941311-)

(1B11) BRAKE VALVE AND FOOT PEDALS
SOUPAPE DE FREIN ET PEDALE
BREMSVENTIL UND FUSSHEBEL
VALVOLA FRENI E PEDALE
VALVULA DE MANDO DEL FRENO Y PEDALES
BROMSVENTIL OCH PEDALER

KEY	PART NO.	PART NAME	QTY	SERIAL NO.	9 9 3 4 0 0	REMARKS
38	19H1732	CAP SCREW	1		X X	3/8" X 1-1/4"
39	19M7139	CAP SCREW	2		X X	M8 X 12
40	19M7289	CAP SCREW	1		X X	(A) M12 X 110
41	19M7415	CAP SCREW	1		X X	M12 X 130
42	24M7036	WASHER	2		X X	9 MM
43	AL23836	CHECK VALVE	1		X X	ASSY, INCL KEYS 16,17,18
44	A4730R	O-RING	1		X X	(SUB FOR Z28067)
45	R35286	CAP	1		X X	(B)
46	19M7387	CAP SCREW	1		X X	M12 X 40
47	15H638	PIPE PLUG	1		X X	1/8"
48	R62513	O-RING	2		X X	
(A) (-930419)		(B) (930420-)	
(-941310)		(941311-)	

.
. .
. .
. .
. .

(1E02) CABLE CLIPS;CONNECTORS AND PLUGS

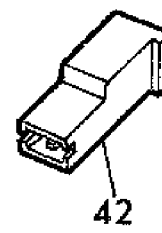
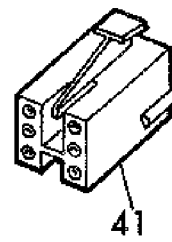
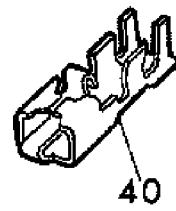
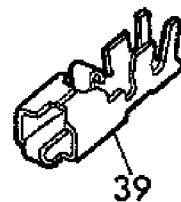
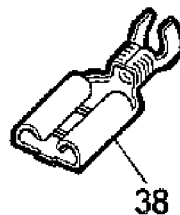
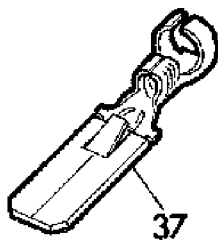
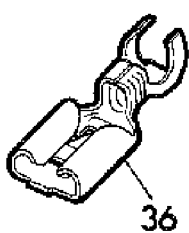
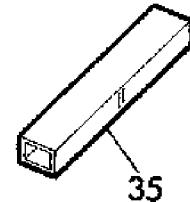
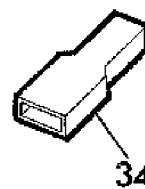
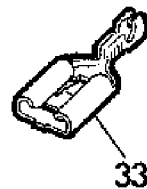
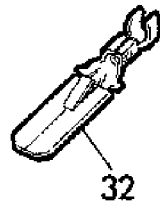
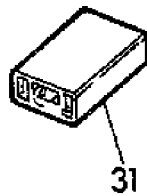
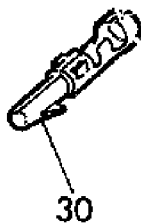
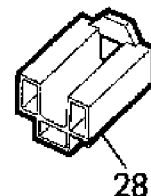
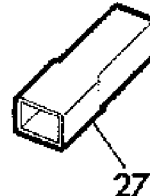
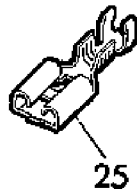
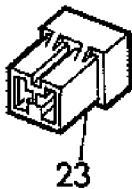
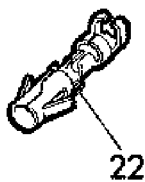
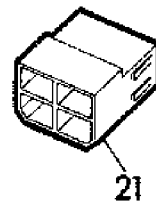
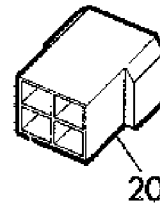
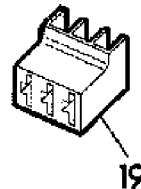
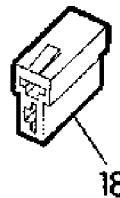
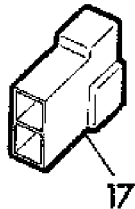
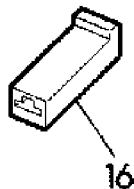
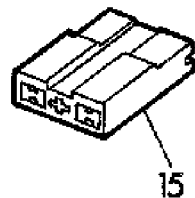
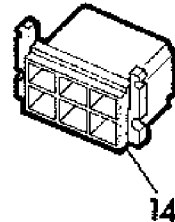
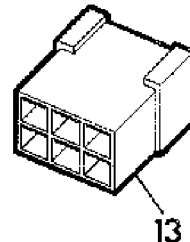
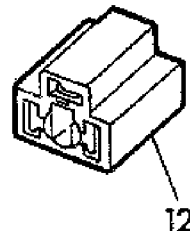
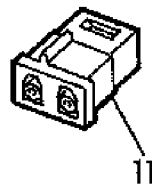
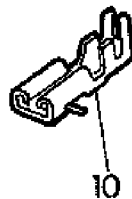
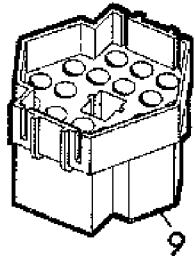
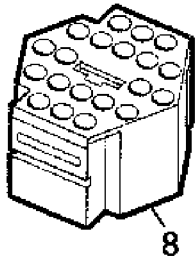
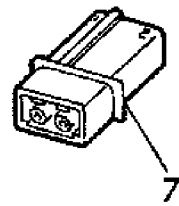
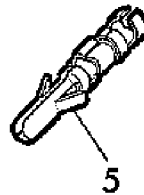
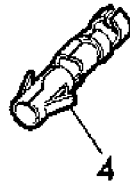
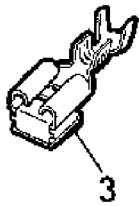
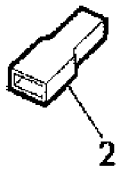
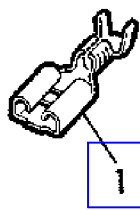
PRISES BLECTRIQUES

STECKVERBINDER FUER ELEKTRIK

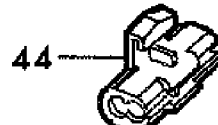
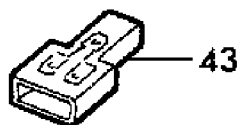
CONNETORI E DISTRIBUTORI ELETTRICI

REGLETAS DE CONGXIONES Y DISTRIBUIDORES ELECTRICOS

KOPPLINGSPLINTEN OCH STICKKONTAKTER



Z 38759



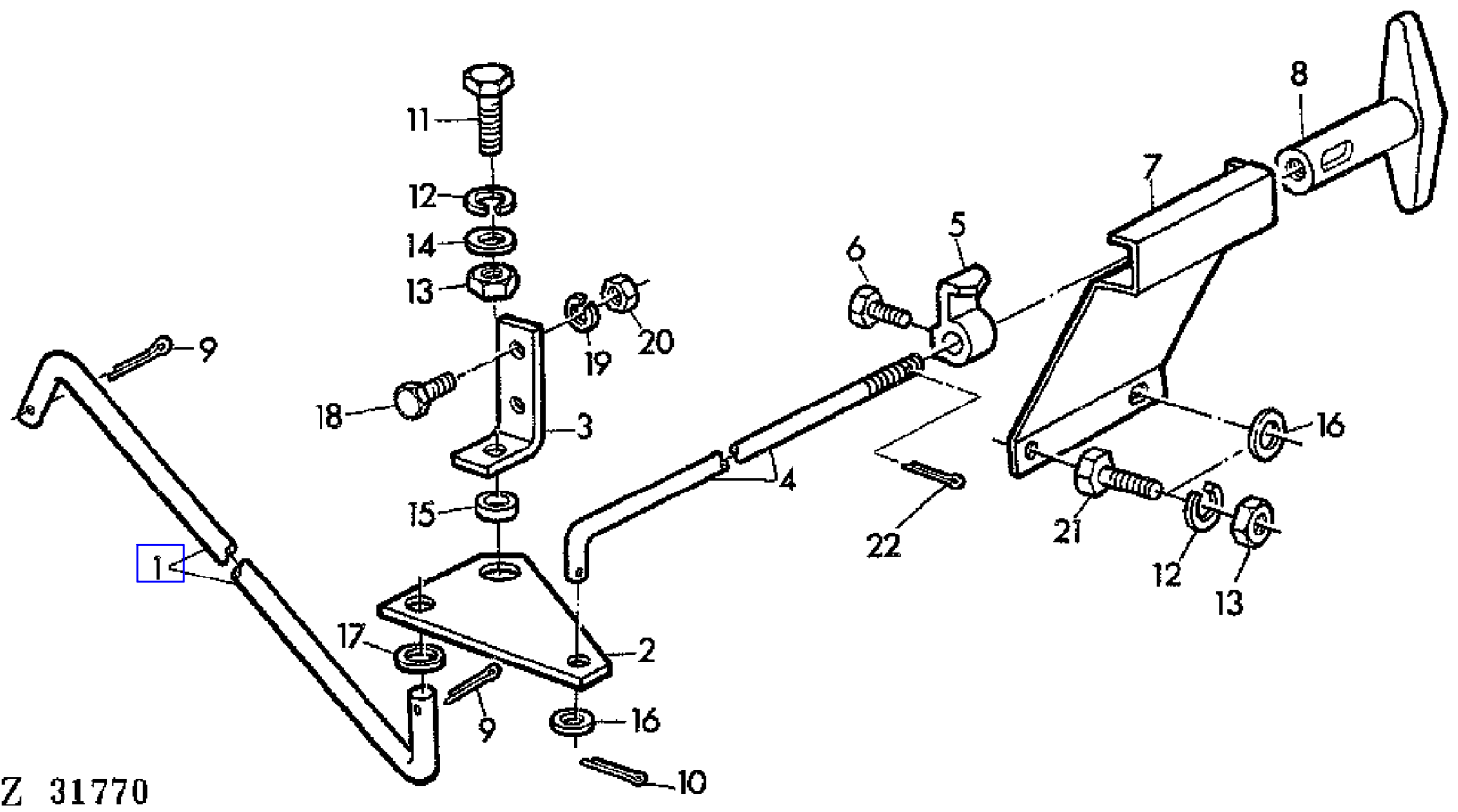
(1E02) CABLE CLIPS;CONNECTORS AND PLUGS
 PRISES BLECTRIQUES
 STECKVERBINDER FUER ELEKTRIK
 CONNETTORI E DISTRIBUTORI ELETTRICI
 REGLETAS DE CONGXIONES Y DISTRIBUIDORES ELECTRICOS
 KOPPLINGSPLINTEN OCH STICKKONTAKTER

KEY	PART NO.	PART NAME	QTY	SERIAL NO.	9 9 3 4 0 0	REMARKS
1	57M7045	TERMINAL	AR		XX	
2	57M7033	INSULATING SLEEVE	AR		XX	(SUB FOR Z28350)
3	57M7070	CONNECTOR	AR		XX	
4	L36681	SOCKET CONTACT	AR		XX	(FOR L37799) (SUB FOR Z34512)
5	L35423	PIN CONTACT	AR		XX	(FOR L37798) (SUB FOR Z34514)
6	Z40754	CONNECTOR	AR		XX	
7	Z40862	PIN CONTACT CONNECTOR BODY	AR		XX	
8	L37799	SOCKET CONT.CONNECTOR BO...	AR		XX	(SUB FOR Z34510)
9	L37798	PIN CONTACT CONNECTOR BODY	AR		XX	(SUB FOR Z34511)
10	Z40695	SOCKET	AR		XX	
11	Z40696	SOCKET	AR		XX	
12	Z40753	RECEPTACLE CONNECTOR BODY	AR		XX	
13	57M7059	TAB CONNECTOR BODY	AR		XX	(SUB FOR Z29297)
14	57M7058	RECEPTACLE CONNECTOR BODY	AR		XX	(SUB FOR Z29296)
15	Z40742	RECEPTACLE CONNECTOR BODY	AR		XX	
16	57M7067	RECEPTACLE CONNECTOR BODY	AR		XX	(SUB FOR Z34559)
17	57M7066	TAB CONNECTOR BODY	AR		XX	
18	57M7065	RECEPTACLE CONNECTOR BODY	AR		XX	
19	57M7062	RECEPTACLE CONNECTOR BODY	AR		XX	
20	57M7061	TAB CONNECTOR BODY	AR		XX	(SUB FOR Z34509)
21	57M7060	RECEPTACLE CONNECTOR BODY	AR		XX	(SUB FOR Z34508)
22	L36685	SOCKET CONTACT	AR		XX	(FOR L37799) (SUB FOR Z34515)
23	Z30963	ELECTRICAL PLUG	AR		XX	
24	AZ31110	RECEPTACLE CONNECTOR BODY	AR		XX	
25	57M7041	TERMINAL	AR		XX	
26	57M7069	TERMINAL	AR		XX	
27	57M7068	TAB CONNECTOR BODY	AR		XX	(SUB FOR Z34560)
28	57M7064	RECEPTACLE CONNECTOR BODY	AR		XX	
29	L36670	PIN CONTACT	AR		XX	(FOR L37798) (SUB FOR Z34513)
30	Z40755	ELECTRICAL PLUG	AR		XX	
31	H104855	RECEPTACLE CONNECTOR BODY	AR		XX	(SUB FOR Z40924)
32	57M7039	TAB	AR		XX	(SUB FOR Z29299)
33	57M7038	TERMINAL	AR		XX	
34	57M7072	INSULATING SLEEVE	AR		XX	
35	57M7073	FLAT CONNECTOR	AR		XX	
36	57M7071	TERMINAL	AR		XX	
37	57M7040	TAB	AR		XX	
38	57M7046	TERMINAL	AR		XX	
39	Z40740	ELECTRICAL PLUG	AR		XX	2,5 - 4,0 MM2
40	Z40741	ELECTRICAL PLUG	AR		XX	0,7 - 2,0 MM2
41	Z40756	ELECTRICAL PLUG	AR		XX	
42	Z40757	INSULATING SLEEVE	AR		XX	
43	AZ31109	ELECTRICAL PLUG	AR		XX	
44	57M7095	CONNECTOR	AR		XX	(SUB FOR AZ26518)

(1E02) CABLE CLIPS;CONNECTORS AND PLUGS
PRISES BLECTRIQUES
STECKVERBINDER FUER ELEKTRIK
CONNETORI E DISTRIBUTORI ELETTRICI
REGLETAS DE CONGXIONES Y DISTRIBUIDORES ELECTRICOS
KOPPLINGSPLINTEN OCH STICKKONTAKTER

KEY	PART NO.	PART NAME	QTY	SERIAL NO.	9 9 3 4 0 0	REMARKS
-----	----------	-----------	-----	------------	-------------------	---------

(2D06) CELANING FAN-ADJUSTING ROD
TIGE DE REGLAGE DU VENTILATEUR
GEBLAESE-VERSTELLSTANGE
ASTA DI REGOLAZIONE DEL VENTILATORE
BARRA DE AJUSTE DEL VENTILADOR LIMPIADOR
FLAKT-JUSTERTAG

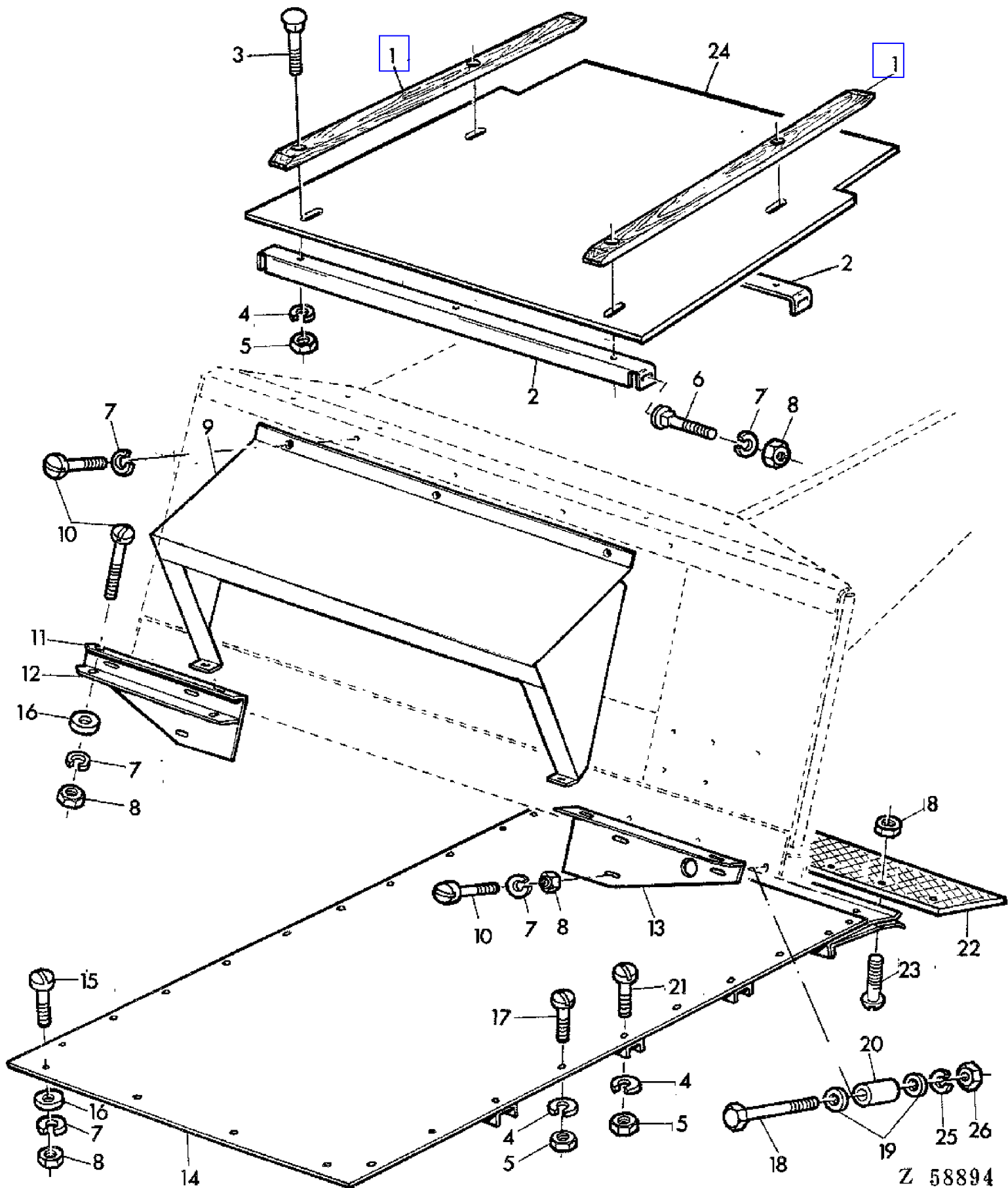


Z 31770

(2D06) CELANING FAN-ADJUSTING ROD
 TIGE DE REGLAGE DU VENTILATEUR
 GEBLAESE-VERSTELLSTANGE
 ASTA DI REGOLAZIONE DEL VENTILATORE
 BARRA DE AJUSTE DEL VENTILADOR LIMPIADOR
 FLAKT-JUSTERTAG

KEY	PART NO.	PART NAME	QTY	SERIAL NO.	9 9 3 4 0 0	REMARKS
1	Z20705	ROD	1		X X	
2	Z20700	LEVER	1		X X	
3	Z20699	ANGLE	1		X X	
4	Z39012	HOOK BOLT	1		X	(SUB FOR Z20707)
	Z39013	HOOK BOLT	1		X	(SUB FOR Z20708)
5	AZ13319	GAUGE	1		X X	
6	19M7159	CAP SCREW	1		X X	M6 X 15
7	AZ18853	BRACKET	1		X X	
8	Z11242	GRIP	1		X X	(SUB FOR Z10143)
9	11M7020	COTTER PIN	2		X X	4 X 25 MM
10	11M7013	COTTER PIN	1		X X	3 X 20 MM
11	19M7168	CAP SCREW	1		X X	M10 X 30
12	12M7013	LOCK WASHER	3		X X	10 MM
13	14M7140	NUT	3		X X	M10
14	24M7101	WASHER	1		X X	11,5 MM
15	Z20701	WASHER	1		X X	
16	24M7040	WASHER	2		X X	11 MM
17	24M7038	WASHER	1		X X	14 MM
18	19M7139	CAP SCREW	2		X X	M8 X 20
19	12M7008	LOCK WASHER	2		X X	8 MM
20	14M7029	NUT	2		X X	M8
21	19M7169	CAP SCREW	2		X X	M10 X 35
22	11M7010	SPRING PIN	1		X X	2 X 18 MM

(2A12) CHAIN GUIDE, LONG FEEDER CONVEYOR
GUIDE-CHAÎNE (CONVOYEUR D'ALIMENTATION LONG)
KETTENFÜHRUNG (SCHRAEGFÖRDERER, LANG)
GUIDA CATENA (CONVOGLIATORE LUNGO)
GUIA DE CADENA (ELVADOR DE MIES LARGO)
KEDJESTYRNING (INMATNINGSELEVATOR, LANG)

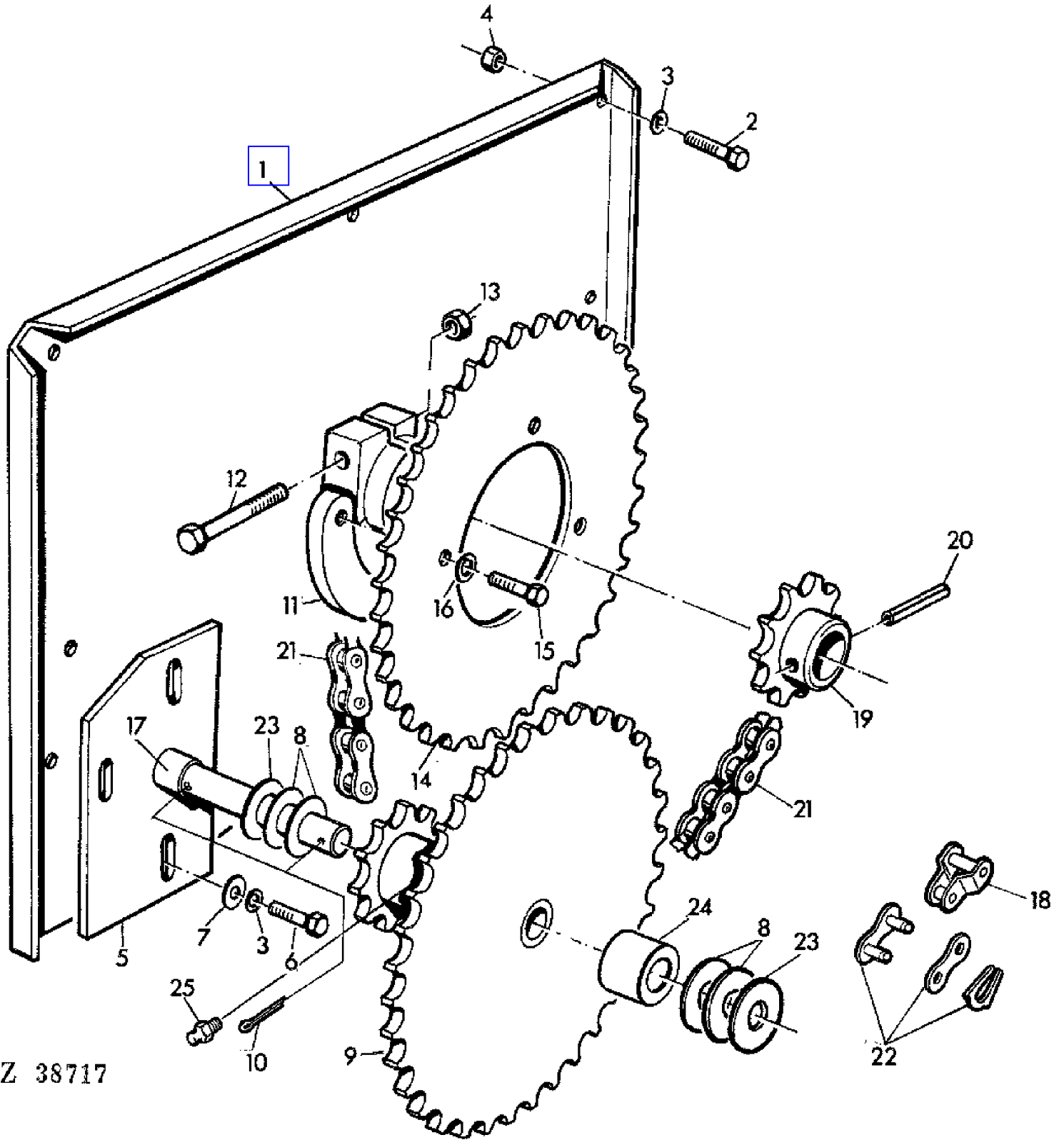


Z 58894

(2A12) CHAIN GUIDE, LONG FEEDER CONVEYOR
 GUIDE-CHAINE (CONVOYEUR D'ALIMENTATION LONG)
 KETTENFUEHRUNG (SCHRAEGFOERDERER, LANG)
 GUIDA CATENA (CONVOGLIATORE LUNGO)
 GUIA DE CADENA (ELVADOR DE MIES LARGO)
 KEDJESTYRNING (INMATNINGSELEVATOR, LANG)

KEY	PART NO.	PART NAME	QTY	SERIAL NO.	9 9 3 4 0 0	REMARKS
1	Z30245	SLAT	2		X X	
2	Z30247	REINFORCEMENT	2		X X	
3	03M7098	BOLT	4		X X	M10 X 35
4	12M7013	LOCK WASHER	24		X X	10 MM
5	14M7140	NUT	24		X X	M10
6	03M7054	BOLT	4		X X	M8 X 20
7	12M7008	LOCK WASHER	23		X X	8 MM
8	14M7029	NUT	29		X X	M8
9	AZ21482	SHIELD	1		X X	(SUB FOR AZ18664)
10	21M7160	SCREW	15		X X	M8 X 18
11	Z30132	BRACKET	1		X X	
12	Z30526	BRACKET	2		X X	
13	Z30131	BRACKET	1		X X	
14	AZ18665	SHEET	1		X X	
15	21M7089	SCREW	4		X X	M8 X 20
16	24M7036	WASHER	8		X X	9 MM
17	21M7162	SCREW	12		X X	M10 X 20
18	19M7415	CAP SCREW	2		X X	M12 X 130
19	24M7038	WASHER	4		X X	14 MM
20	Z30133	SPACER	2		X X	
21	21M7093	SCREW	8		X X	M10 X 30
22	Z32143	GASKET	1		X X	
23	21M7089	SCREW	6		X X	M8 X 20
24	Z33017	SHEET	1		X X	
25	12M7014	LOCK WASHER	2		X X	12 M
26	14M7031	NUT	2		X X	M12

(2C19) CHAINE DRIVE FOR CROSS-SHAKER
CHAINES D'ENTRAINEMENT DE L'AGITATEUR TRANSVERSAL
KETTENANTRIEB FUER QUERSCHUETTLER
COMANDO A CATENE PER IL DISPOSITIVO SCUOTIMENTO INCROCIATO
MANDO DE CADENAS PARA EL SACUDIDOR TRANSVERSAL
KEDJEDRIVNING FOER CROSS-SHAKER

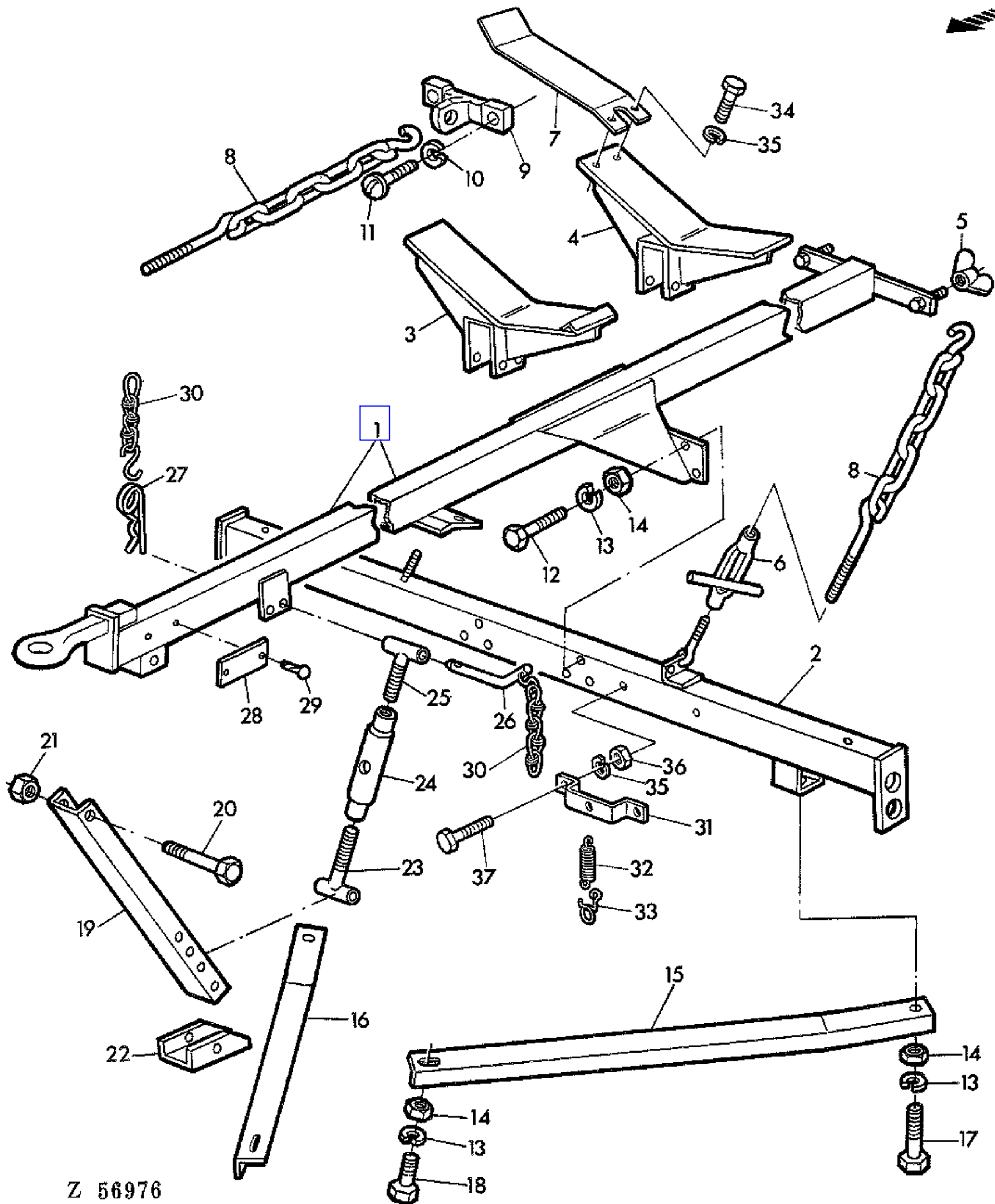


Z 38717

(2C19) CHAINE DRIVE FOR CROSS-SHAKER
 CHAINES D'ENTRAINEMENT DE L'AGITATEUR TRANSVERSAL
 KETTENANTRIEB FUER QUERSCHUETTLER
 COMANDO A CATENE PER IL DISPOSITIVO SCUOTIMENTO INCROCIATO
 MANDO DE CADENAS PARA EL SACUDIDOR TRANSVERSAL
 KEDJEDRIVNING FOER CROSS-SHAKER

KEY	PART NO.	PART NAME	QTY	SERIAL NO.	9 9 3 4 0 0	REMARKS
1	AZ19541	SHEET	1		X	
2	19M7166	CAP SCREW	5		X	M10 X 20
3	12M7013	LOCK WASHER	7		X	10 MM
4	14M7140	NUT	5		X	M10
5	AZ22292	PIVOT	1		X	(ORD W/ KEY Z33127) (SUB FOR AZ19542)
6	19M7381	CAP SCREW	2		X	M10 X 28
7	24M7040	WASHER	2		X	11 MM
8	Z27188	SHIM	4		X	20,5 X 28 X 0,56 MM
9	AZ19546	CHAIN SPROCKET	1		X	
10	11M7022	COTTER PIN	2		X	4 X 30 MM
11	Z10758	HUB	1		X	
12	19M7327	CAP SCREW	1		X	M10 X 65
13	14M7167	LOCK NUT	1		X	M10
14	Z30948	CHAIN SPROCKET	1		X	
15	19M7139	CAP SCREW	3		X	M8 X 20
16	12M7008	LOCK WASHER	3		X	8 MM
17	Z33127	SPACER	1		X	
18	AZ12881	LINK	1		X	
19	Z30929	CHAIN SPROCKET	1		X	
20	34M7041	SPRING PIN	1		X	6 X 36 MM
21	AZ19536	LINK CHAIN	2		X	
22	AL14207	LINK	1		X	
23	L18947	WASHER	2		X	
24	Z21765	SPACER	2		X	
25	58M7004	LUBRICATION FITTING	1		X	

(2G22) CHASSIS CUTTING PLATFORM TRAILER
CHASSIS, REMORQUE PLATE-FORME DE COUPE
RAHMENGESTELL SW
TELAIO RIMORCHIO PER PLATTAFORMA DI TAGLIO
BASTIDORE DEL REMOLQUE PARA PLATAFORMAS DE CORTE
CHASSI VAGN FOER SKAERBORD

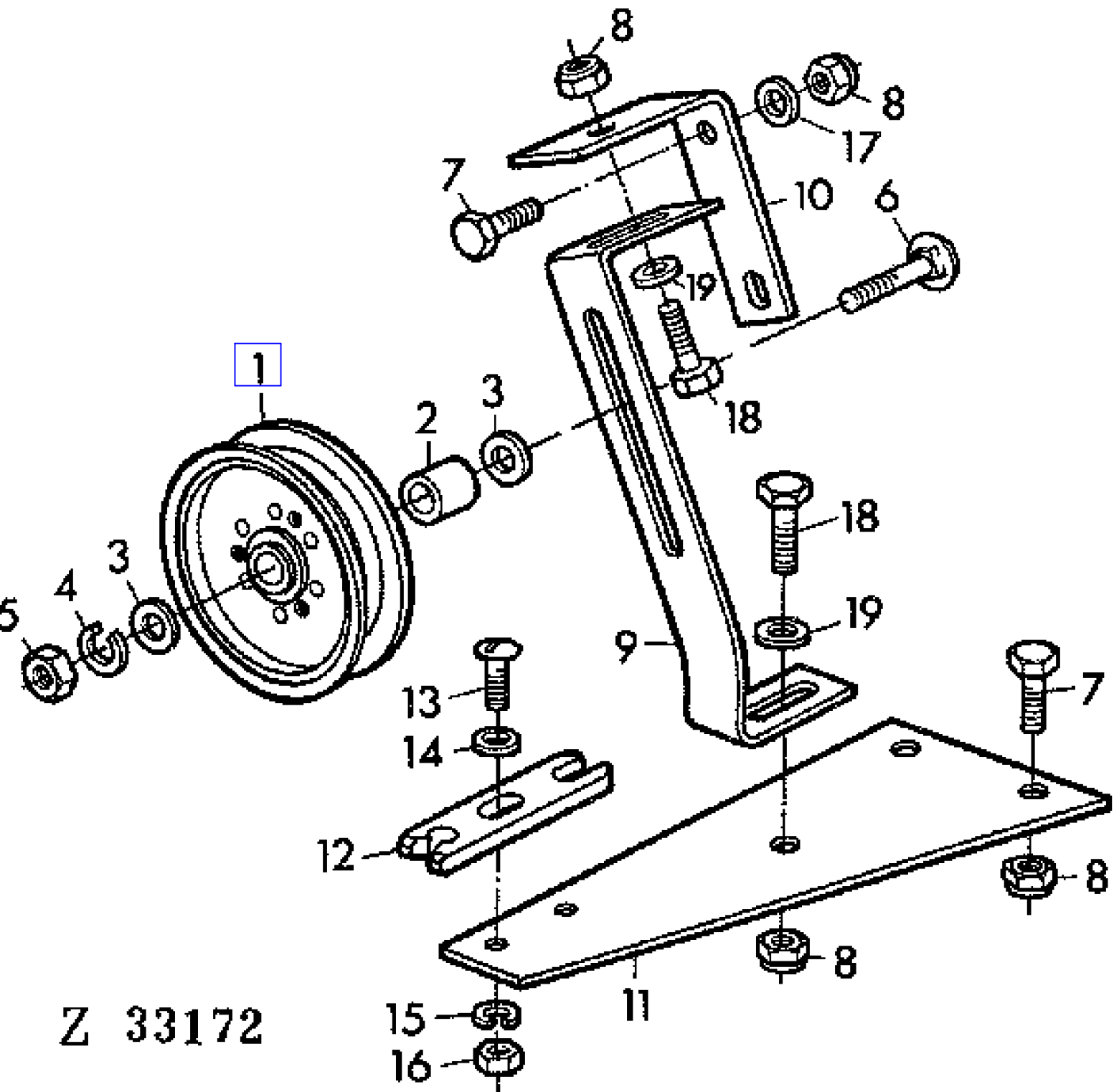


Z 56976

(2G22) CHASSIS CUTTING PLATFORM TRAILER
 CHASSIS, REMORQUE PLATE-FORME DE COUPE
 RAHMENGESTELL SW
 TELAIO RIMORCHIO PER PLATTAFORMA DI TAGLIO
 BASTIDORE DEL REMOLQUE PARA PLATAFORMAS DE CORTE
 CHASSI VAGN FOER SKAERBORD

KEY	PART NO.	PART NAME	QTY	SERIAL NO.	9 9 3 4 0 0	REMARKS
1	AZ20055	FRAME	1		XX	
2	AZ20054	AXLE	1		XX	
3	AZ20048	PLANET PINION CARRIER	2		XX	
4	AZ20049	PLANET PINION CARRIER	1		XX	
5	14M7020	WING NUT	2		XX	M8
6	AZ14360	TIGHTENER	3		XX	
7	Z32077	SHEET	1		XX	
8	AZ20053	LINK CHAIN	3		XX	AR
	AZ21698	LINK CHAIN	3		XX	L = 4, AR
9	Z10360	HOLDER	1		XX	
10	12M7013	LOCK WASHER	2		XX	10 MM
11	03M7087	BOLT	2		XX	M10 X 38
12	19M7285	CAP SCREW	6		XX	M12 X 30
13	12M7014	LOCK WASHER	10		XX	12 MM
14	14M7031	NUT	10		XX	M12
15	Z31411	BRACE	1		XX	
16	Z31410	BRACE	1		XX	
17	19M7390	CAP SCREW	2		XX	M12 X 75
18	19M7268	CAP SCREW	2		XX	M12 X 25
19	Z31419	CHANNEL	1		XX	
20	19M7346	CAP SCREW	6		XX	M10 X 110
21	14M7140	NUT	6		XX	M10
22	Z31394	CHANNEL	1		XX	
23	AZ20050	EYEBOLT	1		XX	
24	Z31532	TIGHTENER	1		XX	
25	AZ20051	EYEBOLT	1		XX	
26	Z31391	PIN	1		XX	
27	L18950	CLIP	1		XX	
28	Z26230	SERIAL NUMBER PLATE	1		XX	
29	25M3826	GROOVE PIN	2		XX	3 X 6 MM
30	AZ12018	LINK CHAIN	1		XX	
31	Z32079	HOLDER	1		XX	
32	Z25462	EXTENSION SPRING	1		XX	
33	Z32078	HOLDER	1		XX	
34	19M7162	CAP SCREW	2		XX	M8 X 15
35	12M7008	LOCK WASHER	4		XX	8 MM
36	14M7029	NUT	2		XX	M8
37	19M7163	CAP SCREW	2		XX	M8 X 25

(2D07) CLEANING FAN TENSION PULLEY
TENDEUR DU VENTILATEUR
GEBLAESESPANNROLLE
PULEGGIA TENDITRICE DEL VENTILATORE
POLEA TENSORA DEL VENTILADOR LIMPIADOR
SPANNRULLE FOR FLAKT

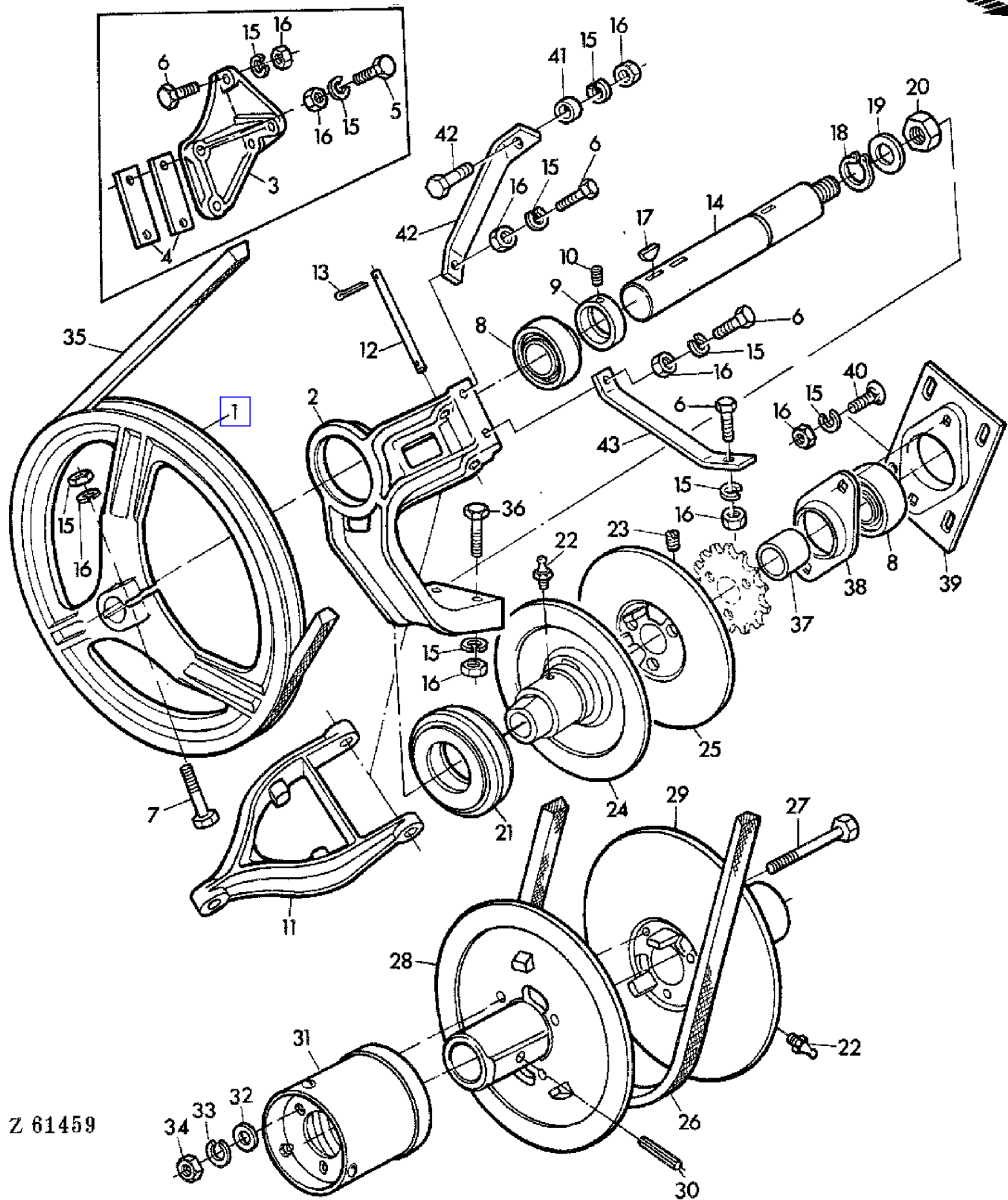


Z 33172

(2D07) CLEANING FAN TENSION PULLEY
 TENDEUR DU VENTILATEUR
 GEBLAESESPANNROLLE
 PULEGGIA TENDITRICE DEL VENTILATORE
 POLEA TENSORA DEL VENTILADOR LIMPIADOR
 SPANNRULLE FOR FLAKT

KEY	PART NO.	PART NAME	QTY	SERIAL NO.	9 9 3 4 0 0	REMARKS
1	AN15236	IDLER	AR		XX	
	AP24917	IDLER	AR		XX	(SUB FOR AN30569)
2	Z20360	SPACER	1		XX	
3	24M7049	WASHER	2		XX	18 MM
4	12M7017	LOCK WASHER	1		XX	16 MM
5	14M7142	NUT	1		XX	M16
6	03M7080	BOLT	1		XX	M16 X 70
7	19M7167	CAP SCREW	3		XX	M10 X 25
8	14M7167	LOCK NUT	6		XX	M10
9	Z26188	HOLDER	1		XX	
10	Z26185	HOLDER	1		XX	
11	Z26182	PLATE	1		XX	
12	Z24277	HOLDER	1		XX	
13	21M7085	SCREW	2		XX	M6 X 20
14	Z26250	WASHER	2		XX	
15	12M7012	LOCK WASHER	2		XX	6 MM
16	14M7027	NUT	2		XX	M6
17	24M7040	WASHER	1		XX	11 MM
18	19M7168	CAP SCREW	2		XX	M10 X 30
19	24M7178	WASHER	2		XX	10,5 MM

(2D05) CLEANING FAN-VARIATOR
VARIATEUR DU VENTILATEUR
GEBLÄSE-VARIATOR
VARIATORE DEL VENTILATORE
VARIADOR DEL VENTILADOR LIMPIADOR
FLÄKTVARIATOR



Z 61459

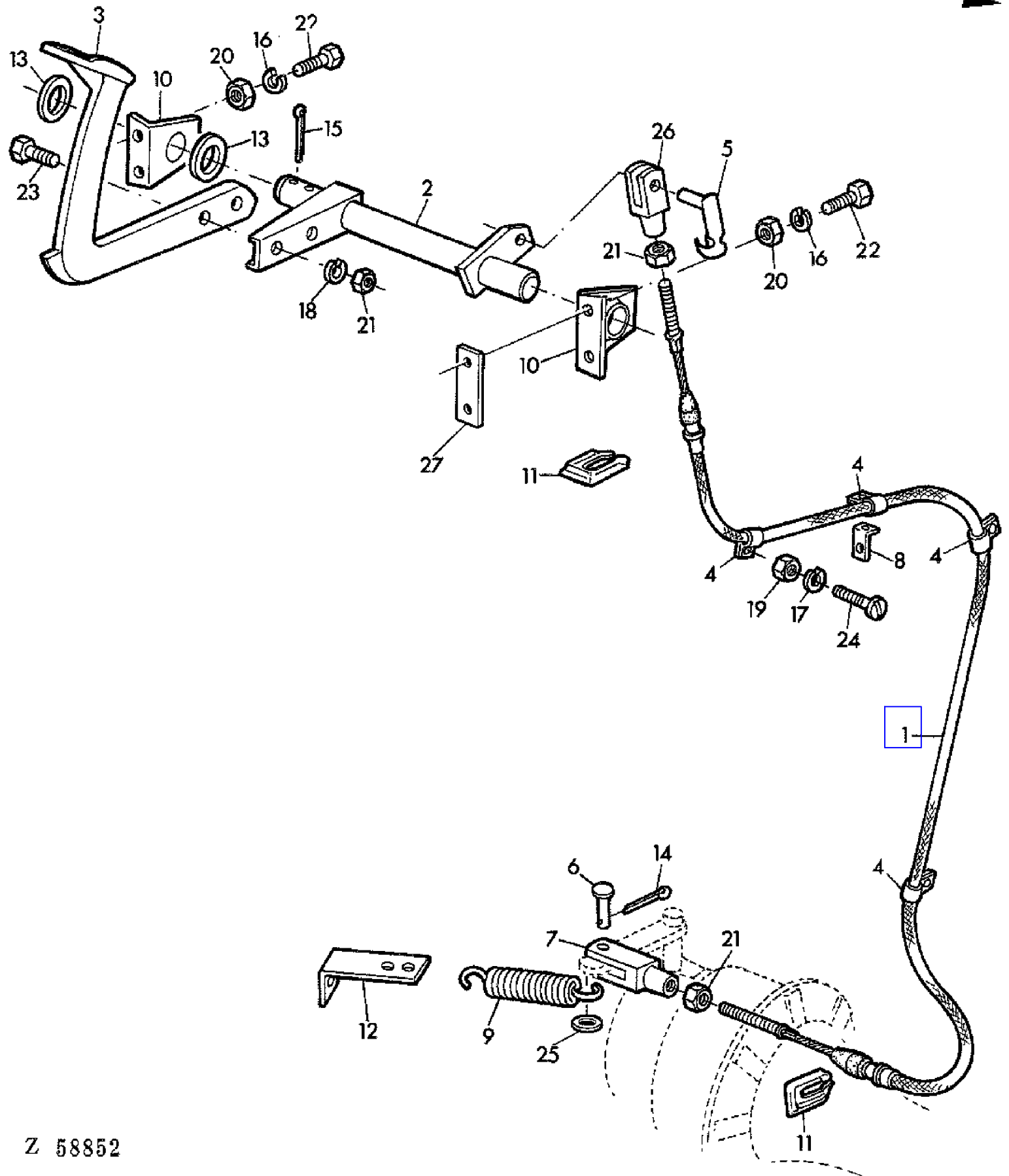
(2D05) CLEANING FAN-VARIATOR
VARIATEUR DU VENTILATEUR
GEBLAESE-VARIATOR
VARIATORE DEL VENTILATORE
VARIADOR DEL VENTILADOR LIMPIADOR
FLAEKTVARIATOR

KEY	PART NO.	PART NAME	QTY	SERIAL NO.	9 3 0	9 4 0	REMARKS
1	Z11084	PULLEY	1		X	X	(SUB FOR Z10074, Z10812)
2	Z10073	SUPPORT	1		X	X	
3	Z10072	SUPPORT	1	- 930250	X	X	
4	Z10072	SUPPORT	1	- 940280	X	X	
	Z20576	PLATE	2	- 930250	X	X	
	Z20576	PLATE	2	- 940280	X	X	
5	19M7156	CAP SCREW	2		X	X	M10 X 60
6	19M7168	CAP SCREW	3		X	X	M10 X 30
7	19M7327	CAP SCREW	1		X	X	M10 X 65
8	JD39103	BALL BEARING	2		X	X	KIT
9	AZ10045	ECCENTRIC LOCKING COLLAR	1		X	X	
10	AZ19844	SET SCREW	1		X	X	
11	Z10857	FORK	1		X	X	(SUB FOR Z10075)
12	Z20575	PIN	1		X	X	3 X 20 MM
13	11M7013	COTTER PIN	2		X	X	
14	Z30031	SHAFT	1	- 930250	X	X	
	Z30031	SHAFT	1	- 940280	X	X	
	Z32102	SHAFT	1	930251 -	X	X	
15	Z32102	SHAFT	1	940281 -	X	X	10 MM
16	12M7013	LOCK WASHER	10		X	X	
16	14M7140	NUT	10		X	X	
17	26M6731	SHAFT KEY	3		X	X	6 X 10 MM
18	40M1831	SNAP RING	1		X	X	30 X 1,5 MM
19	L18889	WASHER	1		X	X	17 X 40 X 4 MM
20	14M7170	LOCK NUT	1		X	X	M16
21	JD39117	THROW-OUT BEARING	1		X	X	(SUB FOR AM3983T)
22	58M5573	LUBRICATION FITTING	2		X	X	6 MM
23	22M7000	SET SCREW	1		X	X	M8 X 15 (SUB FOR Z10085)
24	Z11214	HALF SHEAVE	1		X	X	
25	Z10676	HALF SHEAVE	1		X	X	
26	Z20459	BELT	1		X	X	6 X 155 MM
27	Z30687	CAP SCREW	3		X	X	
28	Z10083	HALF SHEAVE	1		X	X	
29	Z10082	HALF SHEAVE	1		X	X	8 X 50 MM
30	34M7049	SPRING PIN	1		X	X	
31	AZ10248	SPRING ASSEMBLY	1		X	X	
32	24M7088	WASHER	3		X	X	6,6 MM
33	12M7012	LOCK WASHER	3		X	X	6 MM
34	14M7027	NUT	3		X	X	M6
35	Z20703	BELT	1		X	X	M10 X 40
36	19M7382	CAP SCREW	3		X	X	
37	Z30029	SPACER	1		X	X	
38	Z30026	QUILL	1		X	X	
39	Z30025	PLATE	1		X	X	

(2D05) CLEANING FAN-VARIATOR
VARIATEUR DU VENTILATEUR
GEBLAESE-VARIATOR
VARIATORE DEL VENTILATORE
VARIADOR DEL VENTILADOR LIMPIADOR
FLAEKTVARIATOR

KEY	PART NO.	PART NAME	QTY	SERIAL NO.		9 9 3 4 0 0	REMARKS
40	03M7088	BOLT	2			X X	M10 X 20
41	Z32151	WASHER	1	930251	-	X X	
42	Z31994	BRACE	1	930251	-	X X	UP
	Z31994	BRACE	1	940281	-	X X	UP
43	Z31993	BRACE	1	930251	-	X X	LOW
	Z31993	BRACE	1	940281	-	X X	LOW

(1B07) CLUTCH OPERATION
COMMANDE DE L'EMBAYAGE
KUPPLUNGSBETAETIGUNG
FUNZIONAMENTO DELLA FRIZIONE
FUNCIONAMIENTO DEL EMBRAGUE
KOPPLINGSMANOVRERING



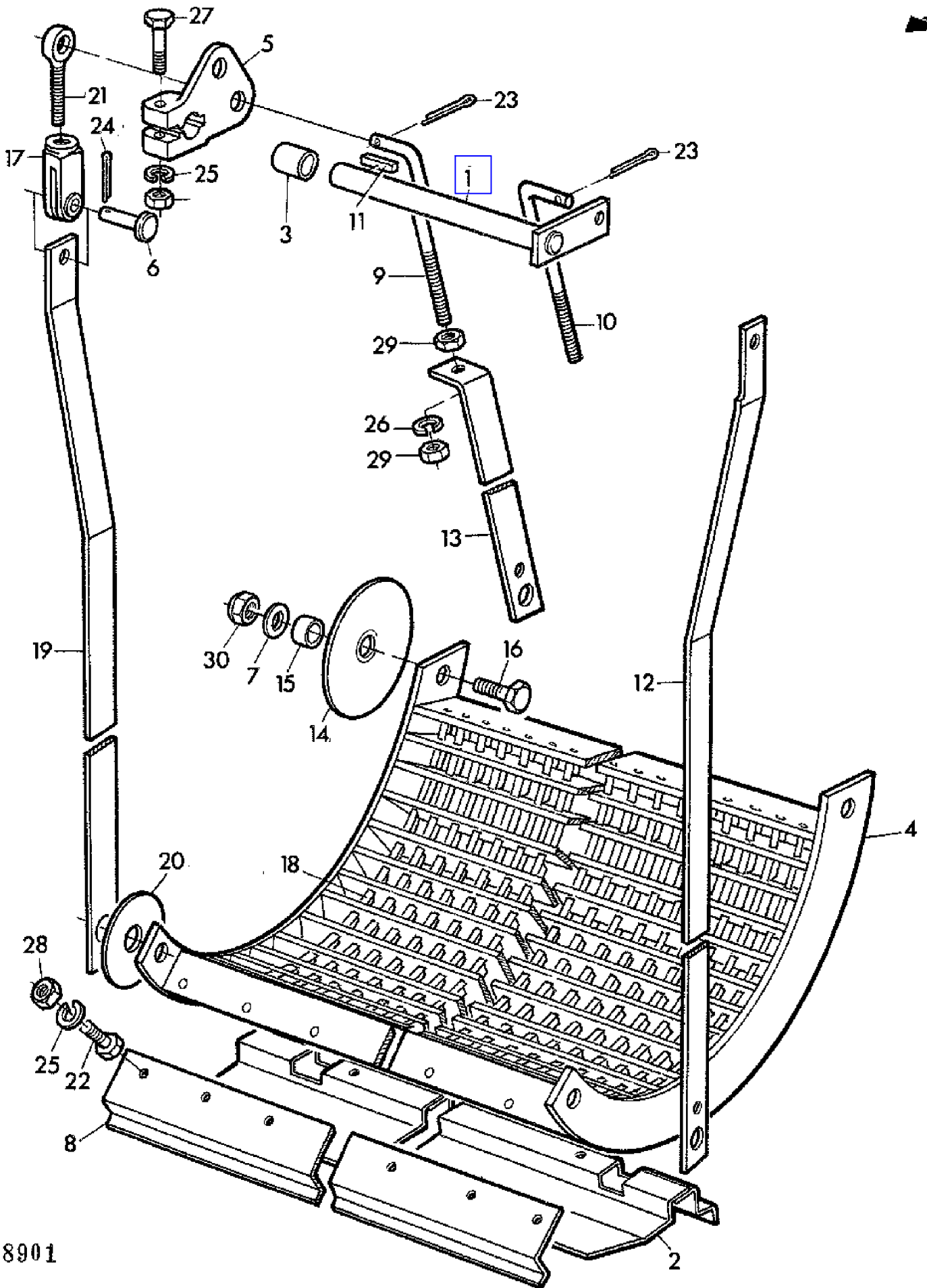
Z 58852

(1B07) CLUTCH OPERATION

COMMANDE DE L'EMBRAYAGE
 KUPPLUNGSBETAETIGUNG
 FUNZIONAMENTO DELLA FRIZIONE
 FUNCIONAMIENTO DEL EMBRAGUE
 KOPPLINGSMANOVREERING

KEY	PART NO.	PART NAME	QTY	SERIAL NO.	9 9 3 4 0 0	REMARKS
1	AZ17868	PUSH PULL CABLE	1		XX	
2	AZ18395	SHAFT	1		XX	
3	Z10498	PEDAL	1		XX	
4	Z22067	CLAMP	4		XX	
5	Z22915	PIN	1		XX	
6	Z24487	PIN	1		XX	
7	Z24492	YOKE	1		XX	
8	Z25613	HOLDER	1		XX	
9	Z25992	EXTENSION SPRING	1		XX	
10	Z28255	BEARING	2		XX	
11	Z29162	CLAMP	2		XX	
12	Z30004	RETAINER	1		XX	
13	L19105	WASHER	2		XX	
14	11M7011	COTTER PIN	1		XX	3 X 15 MM
15	11M7024	COTTER PIN	2		XX	4 X 40 MM
16	12M7008	LOCK WASHER	4		XX	8 MM
17	12M7012	LOCK WASHER	4		XX	6 MM
18	12M7013	LOCK WASHER	2		XX	10 MM
19	14M7027	NUT	4		XX	M6
20	14M7029	NUT	4		XX	M8
21	14M7140	NUT	4		XX	M10
22	19M7139	CAP SCREW	4		XX	M8 X 20
23	19M7169	CAP SCREW	2		XX	M10 X 35
24	19M7375	CAP SCREW	4		XX	M6 X 18
25	24M7106	WASHER	1		XX	10 MM
26	54M4422	YOKE	1		XX	
27	Z32631	STRAP	1		XX	

(2B20) CONCAVE
CONTRE-BATTEUR
DRESCHKORB
GRIGLIA
CONCAVO
SLAGSKO



Z 58901

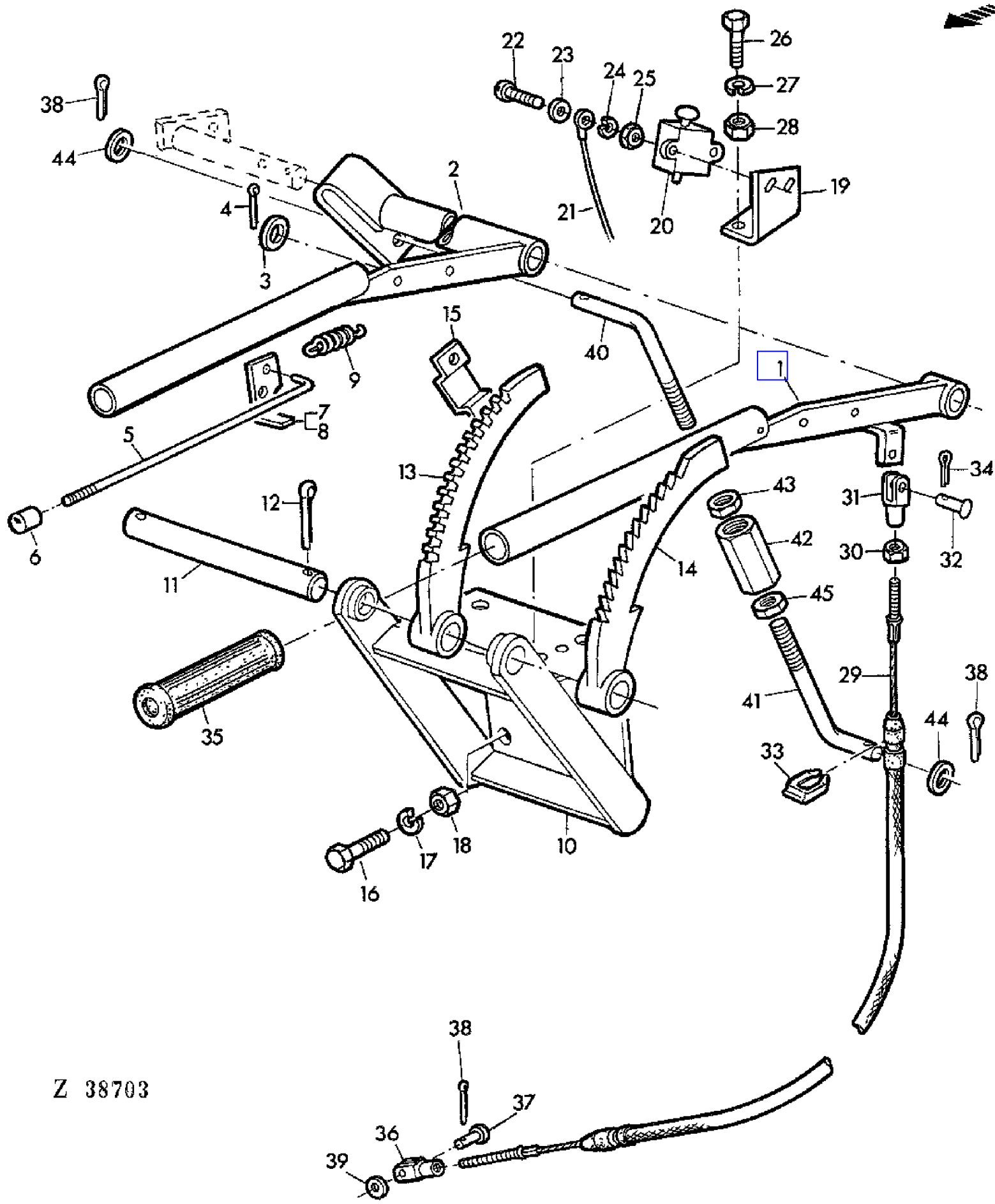
(2B20) CONCAVE
 CONTRE-BATTEUR
 DRESCHKORB
 GRIGLIA
 CONCAVO
 SLAGSKO

KEY	PART NO.	PART NAME	QTY	SERIAL NO.	9 9 3 4 0 0	REMARKS
1	AZ10054	SHAFT	1		XX	
2	Z20087	SHEET	AR		XX	
3	Z20078	SPACER	1		XX	
4	AZ17514	CONCAVE	1		XX	(A)
	AZ17012	CONCAVE	1		XX	(B)
5	Z10047	ADJUSTER	1		XX	RH
6	45M6880	PIN	1		XX	11 X 35 X 27 MM
7	24M7053	WASHER	4		XX	17 MM
8	Z28717	SHEET	AR		XX	
9	Z32645	PIN	1		XX	LH (SUB FOR Z27644)
10	Z32644	PIN	1		XX	RH (SUB FOR Z20080)
11	49M4108	SHAFT KEY	1		XX	8 X 7 X 32 MM
12	Z32647	BRACE	1		XX	LH
13	Z32648	BRACE	2		XX	REAR (SUB FOR Z20083)
14	Z20084	COVER	2		XX	
15	Z33976	BUSHING	4		XX	(SUB FOR Z20085, Z32693)
16	19M7397	CAP SCREW	4		XX	M16 X 50
17	Z24493	YOKE	1		XX	M12 X 48
18	Z20064	WIRE	1		XX	(A)
	Z25894	WIRE	1		XX	(B)
19	Z32646	BRACE	1		XX	RH (SUB FOR Z27663)
20	Z27780	COVER	2		XX	
21	Z29332	EYEBOLT	1		XX	
22	19M7139	CAP SCREW	5		XX	M8 X 20
23	11M7022	COTTER PIN	2		XX	4 X 30 MM
24	11M7019	COTTER PIN	1		XX	4 X 20 MM
25	12M7008	LOCK WASHER	6		XX	8 MM
26	12M7014	LOCK WASHER	3		XX	12 MM
27	19M7165	CAP SCREW	1		XX	M8 X 55
28	14M7029	NUT	6		XX	M8
29	14M7168	LOCK NUT	2		XX	M12
30	14M7170	LOCK NUT	4		XX	M16

(A) CONCAVE FOR GRAIN
 CONTRE-BATTEUR CEREALES
 GETREIDEDRESCHKORB
 GRIGLIA DA GRANO
 CONCAVO PARA CEREALES
 SLAGSKO FOER SAED

(B) CONCAVE FOR CORN
 CONTRE-BATTEUR MAIS
 MAISDRESCHKORB
 GRIGLIA DA MAIS
 CONCAVO PARA MAIZ
 SLAGSKO FOER MAJS

(1C23) CONCAVE AND HAND BRAKE LEVER
LEVIER CONTRE BATTEUR ET FREIN A MAIN
DRESCHKORB UND HANDBREMSHEBEL
GRIGLIA E LEVA DEL FRENO A MANO
CONCAVO Y PALANCA DE FRENO DE MANO
SLAGSKO OCH HANDBROMSSPAK



Z 38703

(1C23) CONCAVE AND HAND BRAKE LEVER
LEVIER CONTRE BATTEUR ET FREIN A MAIN
DRESCHKORB UND HANDBREMSHEBEL
GRIGLIA E LEVA DEL FRENO A MANO
CONCAVO Y PALANCA DE FRENO DE MANO
SLAGSKO OCH HANDBROMSSPAK

KEY	PART NO.	PART NAME	QTY	SERIAL NO.	9 9 3 4 0 0	REMARKS
1	AZ18548	HANDBRAKE	1		XX	
2	AZ18554	LEVER	1		XX	
3	24M7040	WASHER	2		XX	11 MM
4	11M7014	COTTER PIN	2		XX	3 X 25 MM
5	Z21822	HOOK BOLT	2		XX	
6	Z21823	KNOB	2		XX	
7	Z21833	LATCH	1		XX	(A)
8	Z21834	LATCH	1		XX	
9	Z21613	EXTENSION SPRING	2		XX	
10	AZ27537	BRACKET	1		XX	(SUB FOR Z10752)
11	Z29953	PIN	1		XX	
12	11M7023	COTTER PIN	2		XX	4 X 35 MM
13	Z11323	SECTOR	1		XX	(SUB FOR Z10248)
14	Z11324	SECTOR	1		XX	(SUB FOR Z10674)
15	Z29945	BRACKET	1		XX	
16	19M7163	CAP SCREW	3		XX	M8 X 25
17	12M7008	LOCK WASHER	5		XX	8 MM
18	14M7029	NUT	5		XX	M8
19	Z29946	PLATE	1		XX	
20	AL11174	SWITCH	1		XX	
21	AZ10902	WIRING LEAD	1		XX	
22	21M7135	SCREW	2		XX	M4 X 25
23	24M7117	WASHER	2		XX	4 MM
24	12M7031	LOCK WASHER	2		XX	4 MM
25	14M7139	NUT	2		XX	M4
26	19M7375	CAP SCREW	6		XX	M6 X 18
27	12M7012	LOCK WASHER	7		XX	6 MM
28	14M7027	NUT	9		XX	M6
29	AZ18552	PUSH PULL CABLE	1		X	
	AZ18552	PUSH PULL CABLE	1	- 941030	X	
30	AZ21332	PUSH PULL CABLE	1	941031 -	X	
	14M7140	NUT	3		XX	M10
31	Z24492	YOKE	1		XX	10 X 40 MM
32	Z24484	PIN	1		XX	
33	Z29162	CLAMP	2		XX	
34	11M7011	COTTER PIN	1		XX	3 X 15 MM
35	Z26791	HANDLE	2		XX	
36	54M4422	YOKE	1		XX	10 X 40 MM
37	Z24487	PIN	1		XX	

(A) RIGHT-HAND THREAD
PAS A DROITE
RECHTSGEWINDE
FILETTO DESTORSO
ROSCA DE PASO DERECHO
HOEGERGAENGAD(B) LEFT-HAND THREAD
PAS A GAUCHE
LINKSGEWINDE
FILETTO SINISTRORSO
ROSCA DE PASO IZQUIERDO
VAENSTERGAENGAD

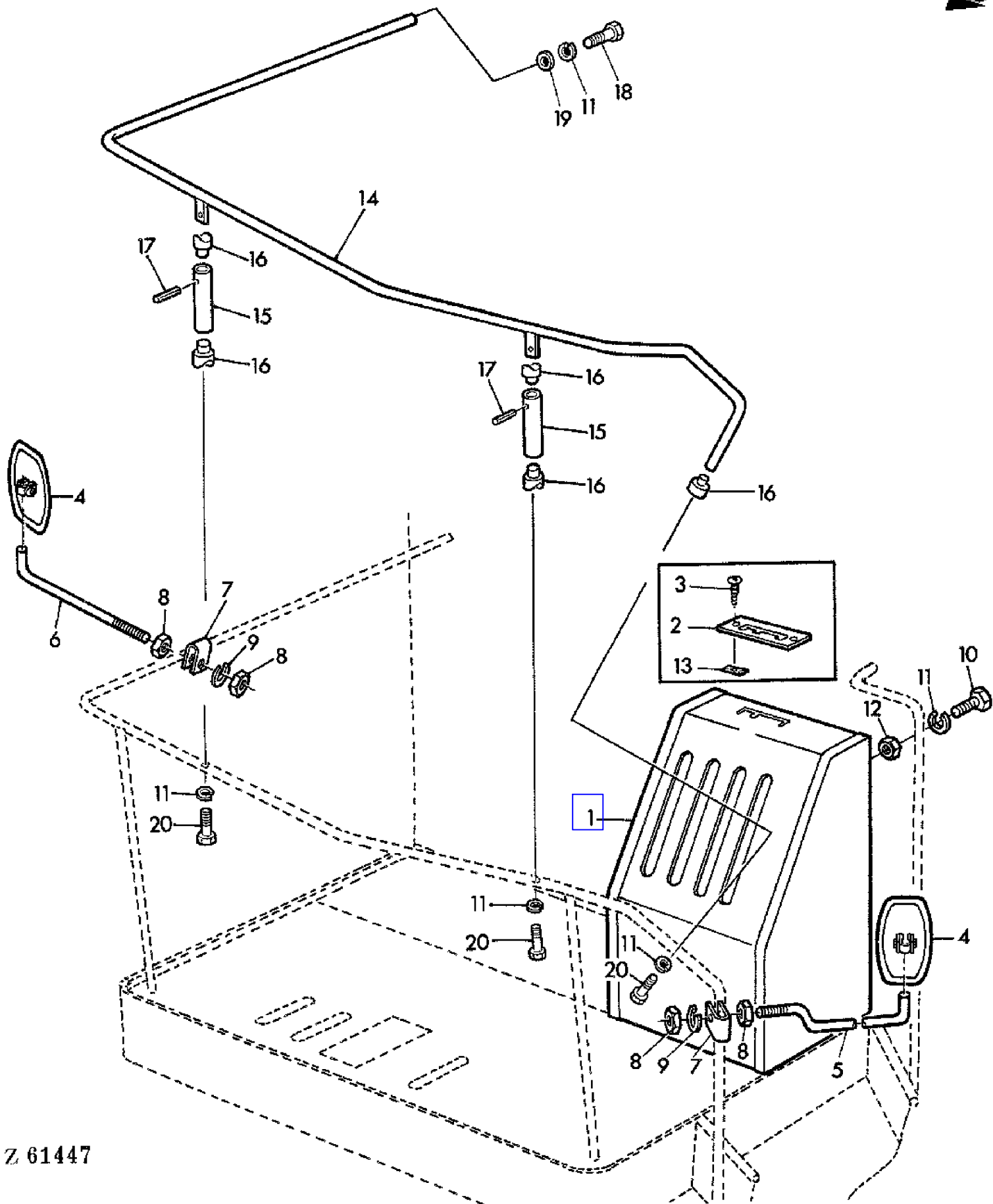
(1C23) CONCAVE AND HAND BRAKE LEVER
LEVIER CONTRE BATTEUR ET FREIN A MAIN
DRESCHKORB UND HANDBREMSHEBEL
GRIGLIA E LEVA DEL FRENO A MANO
CONCAVO Y PALANCA DE FRENO DE MANO
SLAGSKO OCH HANDBROMSSPAK

KEY	PART NO.	PART NAME	QTY	SERIAL NO.	99 34 00	REMARKS
38	11M7019	COTTER PIN	3		XX	4 X 20 MM
39	24M7106	WASHER	1		XX	10 MM
40	Z21906	HOOK BOLT	1		XX	(A)
41	Z21905	HOOK BOLT	1		XX	(B)
42	99M3833	TURNBUCKLE	1		XX	12 MM
43	14M7031	NUT	1		XX	(A) M12
44	24M7043	WASHER	2		XX	12 MM
45	14M7146	NUT	1		XX	(B) M12

(A) RIGHT-HAND THREAD
PAS A DROITE
RECHTSGEWINDE
FILETTO DESTORSO
ROSCA DE PASO DERECHO
HOEGERGAENGAD

(B) LEFT-HAND THREAD
PAS A GAUCHE
LINKSGEWINDE
FILETTO SINISTRORSO
ROSCA DE PASO IZQUIERDO
VAENSTERGAENGAD

(1C17) CONTROL LEVER HOUSING, LEFT-HAND AND REAR-VIEW MIRROR
CAPOTAGE DES LEVIERS DE COMMANDE, COTE GAUCHE ET RETROVISEUR
SCHALTASTEN LINKS UND RUECKSPIEGEL
CARTER SINISTRO DELLA LEVA DI COMANDO E SPECCHIO RETROVISORE
CARCASA DE LA PALANCA DE CONTROL Y ESPEJO RETROVISOR
MANOEVERSPAKSHUS, VAENSTER, OCH BACKSPEGEL

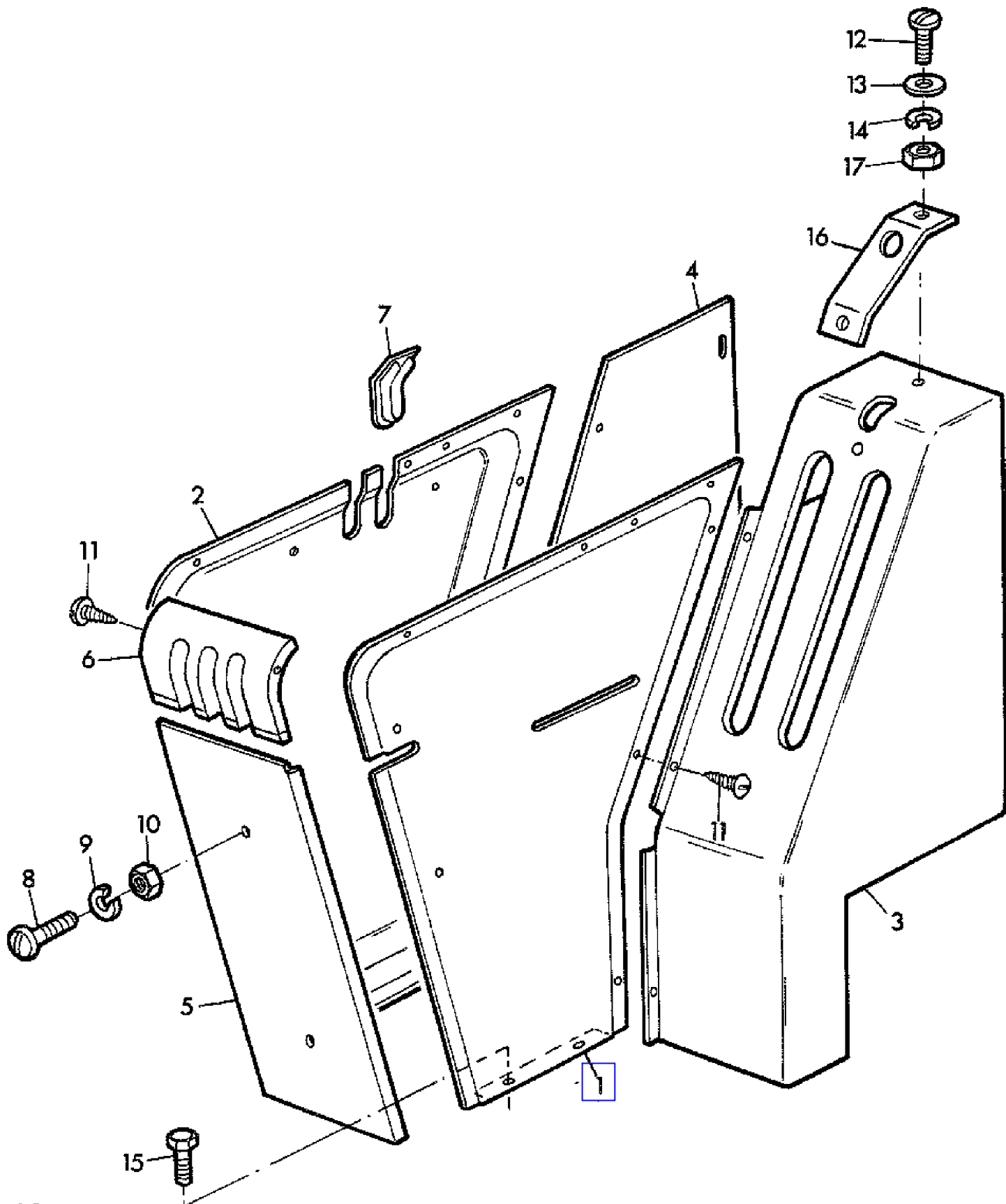


Z 61447

(1C17) CONTROL LEVER HOUSING, LEFT-HAND AND REAR-VIEW MIRROR
 CAPOTAGE DES LEVIERS DE COMMANDE, COTE GAUCHE ET RETROVISEUR
 SCHALTKASTEN LINKS UND RUECKSPIEGEL
 CARTER SINISTRO DELLA LEVA DI COMANDO E SPECCHIO RETROVISORE
 CARCASA DE LA PALANCA DE CONTROL Y ESPEJO RETROUISOR
 MANOEVERSPAKSHUS, VAENSTER, OCH BACKSPEGEL

KEY	PART NO.	PART NAME	QTY	SERIAL NO.	9 9 3 4 0 0	REMARKS
1	AZ21641	HOUSING	1		X X	LH (SUB FOR AZ19575)
2	Z31932	PLATE	AR		X X	
3	37M7009	SCREW	AR		X X	5.5 X 19 MM
4	AZ16499	REAR VIEW MIRROR	2		X X	
5	Z31945	HOLDER	1		X X	LH
6	Z31946	RETAINER	1		X X	RH
7	Z27771	CLEVIS	2		X X	
8	14M7031	NUT	4		X X	M12
9	12M7014	LOCK WASHER	2		X X	12 MM
10	19M7139	CAP SCREW	2		X X	M8 X 20
11	12M7008	LOCK WASHER	AR		X X	8 MM
12	14M7029	NUT	2		X X	M8
13	Z21838	NUT	AR		X X	
14	AZ21780	HANDRAIL	1		X X	
15	AZ21762	ROD	AR		X X	
16	Z29723	SLEEVE	AR		X X	
17	34M7033	SPRING PIN	AR		X X	5 X 30 MM
18	19M7163	CAP SCREW	AR		X X	M8 X 25
19	24M7024	WASHER	AR		X X	9,5 MM
20	19M7185	CAP SCREW	AR		X X	M8 X 60

(1C21) CONTROL LEVER HOUSING, RIGHT-HAND
CAPOTAGE DES LEVIERS DE COMMANDE, COTE DROIT
SCHALKASTEN, RECHTS
CORTER DELLA LEVA DI COMANDO
CARCASA DE LA PALANCA DE CONTROL (LADO DERECHO)
MANOEVERSPAKSHUS, HOEGER

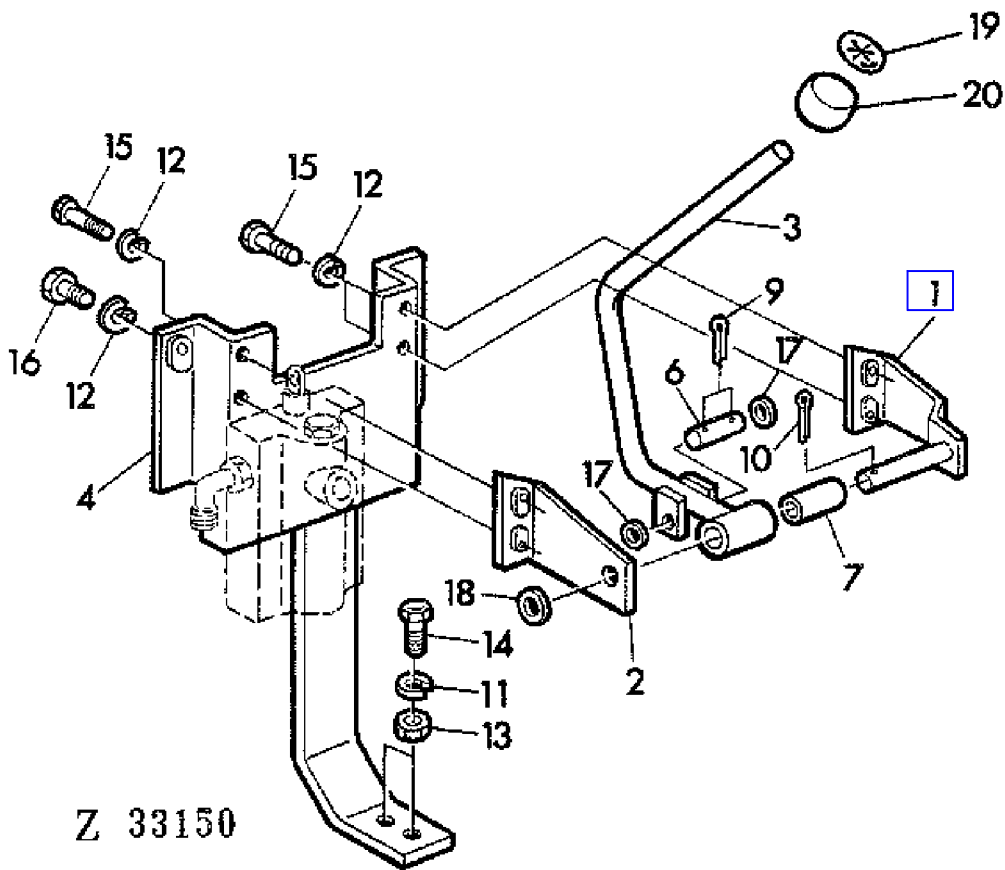


Z 55916

(1C21) CONTROL LEVER HOUSING, RIGHT-HAND
 CAPOTAGE DES LEVIERS DE COMMANDE, COTE DROIT
 SCHALTKASTEN, RECHTS
 CORTER DELLA LEVA DI COMANDO
 CARCASA DE LA PALANCA DE CONTROL (LADO DERECHO)
 MANOEVERSPAKSHUS, HOEGER

KEY	PART NO.	PART NAME	QTY	SERIAL NO.	9 9 3 4 0 0	REMARKS
1	AZ18562	SHEET	1		XX	
2	AZ18563	SHEET	1		XX	
3	AZ18559	CONSOLE	1		XX	
4	Z29968	SHEET	1		XX	
5	Z29973	SHEET	1		XX	
6	Z30041	COVER	1		XX	
7	Z30299	COVER	AR		XX	
8	21M7081	SCREW	2		XX	M8 X 25
9	12M7008	LOCK WASHER	2		XX	8 MM
10	14M7029	NUT	2		XX	M8
11	37M7011	SCREW	12		XX	4,8 X 9,5 MM
12	21M7031	SCREW	3		XX	M6 X 15
13	Z26250	WASHER	3		XX	
14	12M7012	LOCK WASHER	3		XX	6 MM
15	19M6614	CAP SCREW	4		XX	M6 X 12
16	Z29933	GUIDE	1		XX	
17	14M7027	NUT	1		XX	M6

(1D01) CONTROL LEVERS
LEVIERS DE COMMANDE
BEDIENUNGSEBEL
LEVE DI COMANDO
PALANCAS DE MANDO
MANOVERSPAKAR

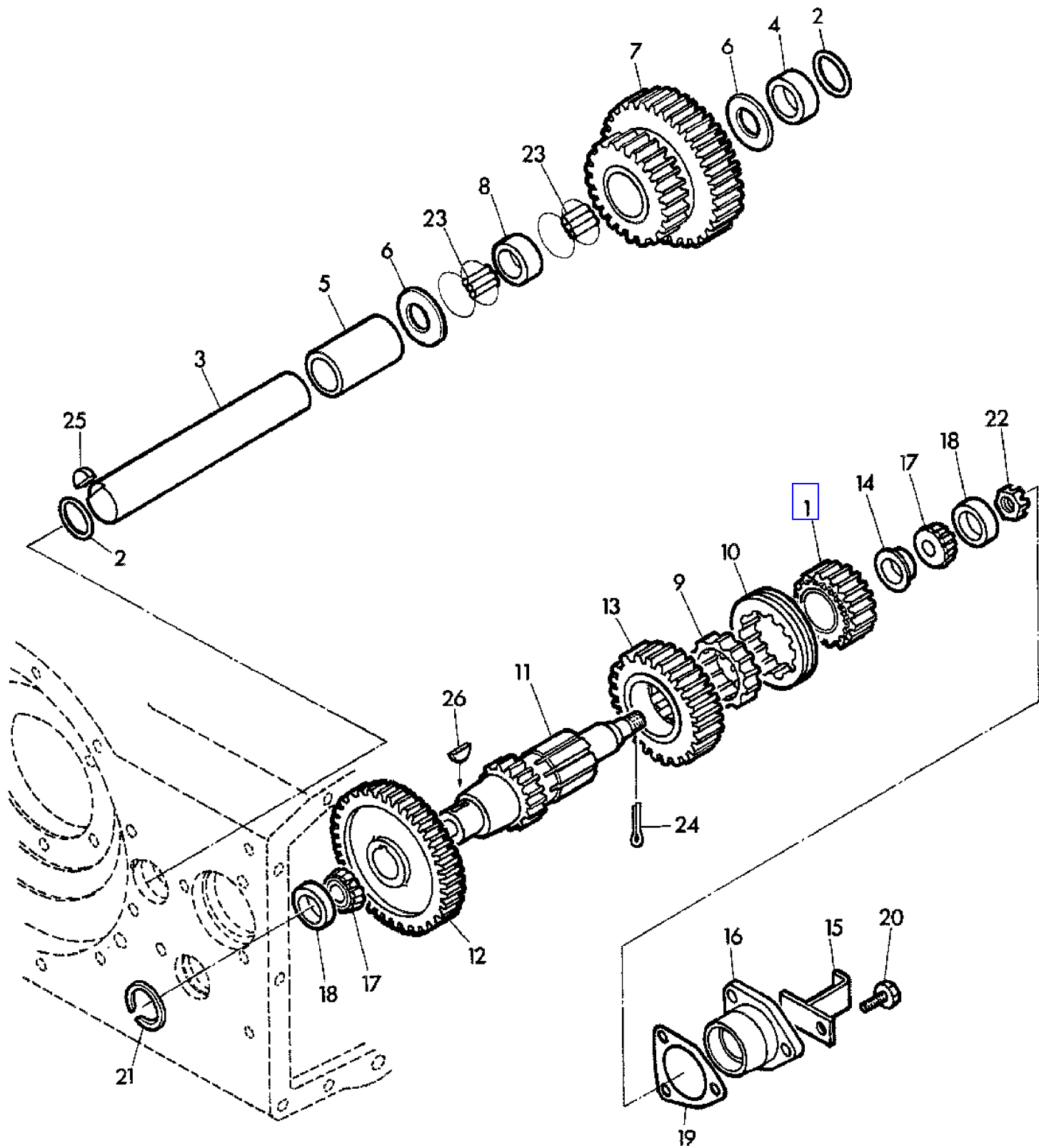


Z 33150

(1D01) CONTROL LEVERS
LEVIERS DE COMMANDE
BEDIENUNGSHEBEL
LEVE DI COMANDO
PALANCAS DE MANDO
MANOVERSPAKAR

KEY	PART NO.	PART NAME	QTY	SERIAL NO.	9 9 3 4 0 0	REMARKS
1	AZ18472	HOLDER	1		X X	
2	AZ18473	HOLDER	1		X X	
3	AZ19819	LEVER	1	- XXXX	X X	(ORD AZ28714 W/ AZ29353)
	AZ28714	LEVER	1	XXXX	X X	(SUB FOR AZ19819)
4	AZ19820	BRACKET	1		X X	
5	Z23533	NUT	1	- XXXX	X X	
6	Z29996	PIN	2		X X	
7	Z29873	SPACER	AR		X X	
8	Z31208	KNOB	1	- XXXX	X X	
9	11M7006	COTTER PIN	2		X X	1,5 X 15 MM
10	11M7014	COTTER PIN	1		X X	3 X 25 MM
11	12M7008	LOCK WASHER	2		X X	8 MM
12	12M7012	LOCK WASHER	6		X X	6 MM
13	14M7029	NUT	2		X X	M8
14	19M7139	CAP SCREW	2		X X	M8 X 20
15	19M7159	CAP SCREW	4		X X	M6 X 15
16	21M7031	SCREW	2		X X	M6 X 15
17	24M7027	WASHER	4		X X	5,3 MM
18	24M7043	WASHER	1		X X	12 MM
19	Z31207	DECAL	1		X X	
20	AZ30369	KNOB	1		X X	(SUB FOR AZ29353)

(1A24) COUNTER SHAFT
ARBRE INTERMEDIAIRE
ZWISCHENVORGELEGE
CONTRALBERO
EJE INTERMEDIO
METALLANAXEL

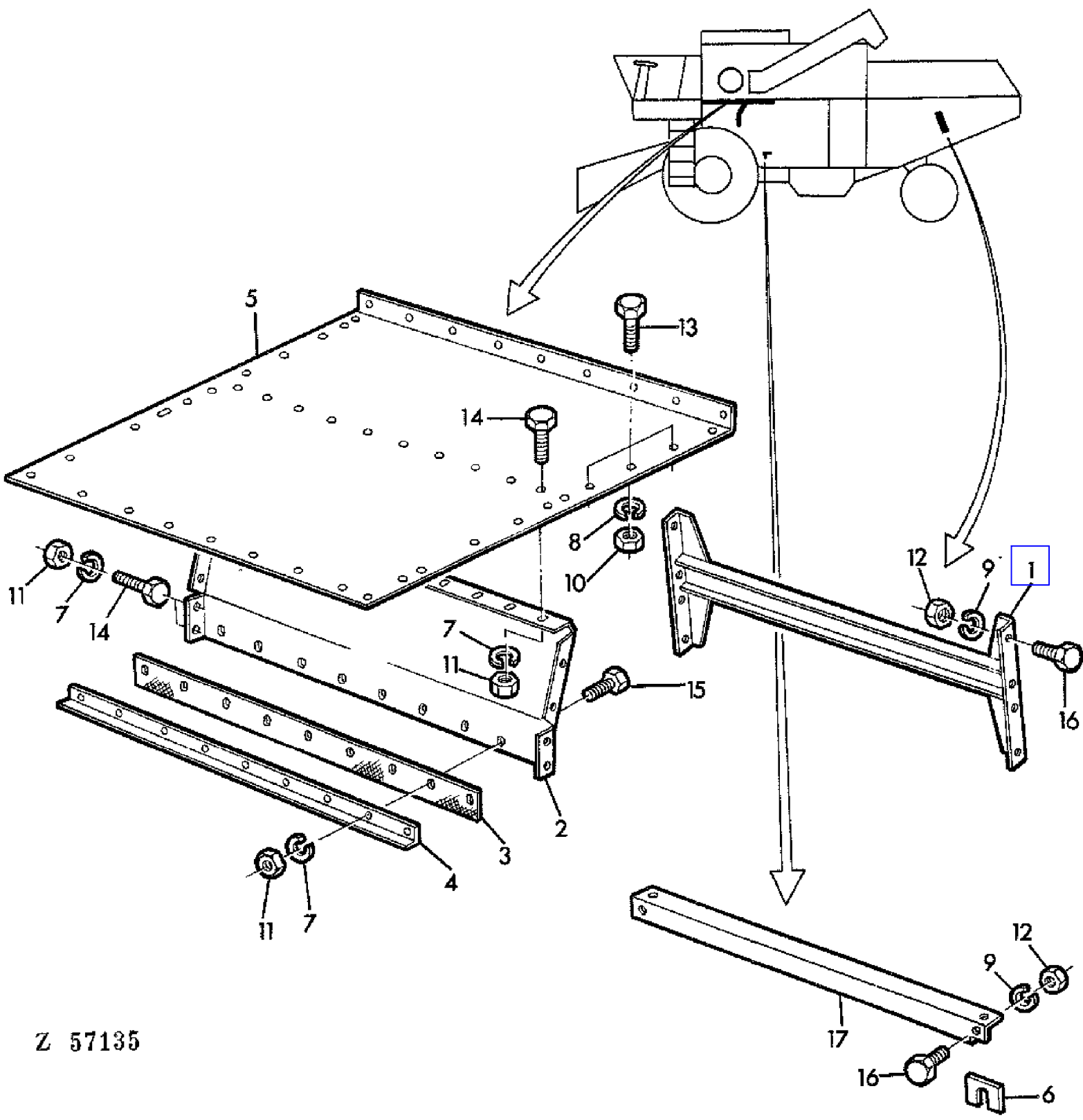


Z 31757

(1A24) COUNTER SHAFT
ARBRE INTERMEDIAIRE
ZWISCHENVORGELEGE
CONTRALBERO
EJE INTERMEDIO
METALLANAXEL

KEY	PART NO.	PART NAME	QTY	SERIAL NO.	9 9 3 4 0 0	REMARKS
1	AZ14260	PINION	1		XX	
2	Z24547	O-RING	2		XX	
3	Z24548	SHAFT	1		XX	
4	Z24549	SPACER	1		XX	
5	Z24550	SPACER	1		XX	
6	Z24551	BUSHING	2		XX	
7	Z24552	STEERING GEAR	1		XX	
8	Z24553	SPACER	1		XX	
9	Z24559	GEAR	1		XX	
10	L29283	SHIFT COLLAR	1		XX	(SUB FOR Z24560)
11	Z24562	JACKSHAFT	1		XX	
12	Z24563	GEAR	1		XX	
13	Z24564	GEAR	1		XX	
14	Z24567	SPACER	1		XX	
15	AZ28127	HOLDER	1		XX	(SUB FOR Z24610)
16	Z11108	CASE	1		XX	(SUB FOR Z10337)
17	JD8188	BEARING CONE	2		XX	
18	JD8226	BEARING CUP	2		XX	
19	P49112	SHIM	AR		XX	0,05 MM
	P46377	SHIM	AR		XX	0,075 MM
	P49113	SHIM	AR		XX	0,125 MM
	P49114	SHIM	AR		XX	0,25 MM
20	P49115	SHIM	AR		XX	0,5 MM
	T22728	SCREW	3		XX	
21	H21836	SNAP RING	1		XX	
22	J13155	NUT	1		XX	
23	R26006	NEEDLE ROLLER	52		XX	
24	11H45	COTTER PIN	1		XX	
25	26H14	SHAFT KEY	1		XX	
26	26H23	SHAFT KEY	1		XX	

(2C02) COVER PLATE AND BRACKET
COUVERCLE ET RENFORTS
ABDECKBLECH UND VERSTREBUNG
COPERCHIO E STAFFA
PLANCHA DE CUBIERTA Y SOPORTE
TAECKPLATTA OCH PLAAT

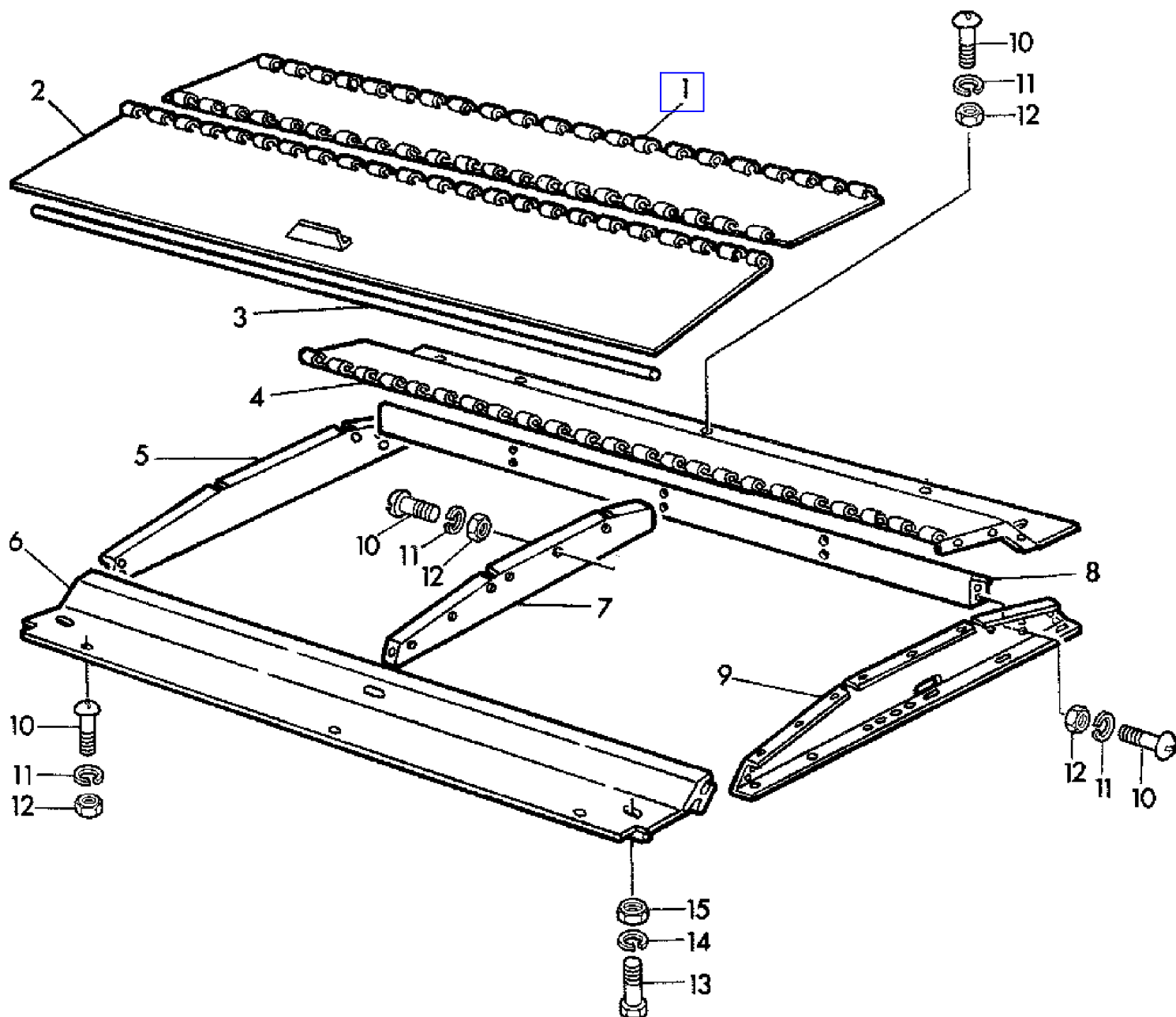


Z 57135

(2C02) COVER PLATE AND BRACKET
COUVERCLE ET RENFORTS
ABDECKBLECH UND VERSTREBUNG
COPERCHIO E STAFFA
PLANCHA DE CUBIERTA Y SOPORTE
TAECKPLATTA OCH PLAAT

KEY	PART NO.	PART NAME	QTY	SERIAL NO.	9 9 3 4 0 0	REMARKS
1	AZ16453	BRACE	1		X	
	AZ16072	REINFORCEMENT	1		X	
2	Z20660	SHEET	1		X X	
3	Z20662	GASKET	1		X X	
4	Z20664	ANGLE	1		X X	
5	Z20666	SHEET	1		X X	
6	Z30298	SHIM	AR		X X	
7	12M7008	LOCK WASHER	AR		X X	8 MM
8	12M7012	LOCK WASHER	AR		X X	6 MM
9	12M7013	LOCK WASHER	AR		X X	10 MM
10	14M7027	NUT	AR		X X	M6
11	14M7029	NUT	AR		X X	M8
12	14M7140	NUT	AR		X X	M10
13	14M7159	NUT	AR		X X	M6 X 15
14	19M7162	CAP SCREW	AR		X X	M8 X 15
15	19M7163	CAP SCREW	AR		X X	M8 X 25
16	19M7167	CAP SCREW	AR		X X	M10 X 25
17	Z20652	ANGLE	1		X X	

(2E22) COVER-GRAIN TANK
COVERCLE DE RESERVOIR A GRAINS
KORNTANKABDECKUNG
COPERCHIO DEL SERBATOIO DEL GRANO
CAPO, TANQUE DE GRANO
SAEDESTANKSLOCK



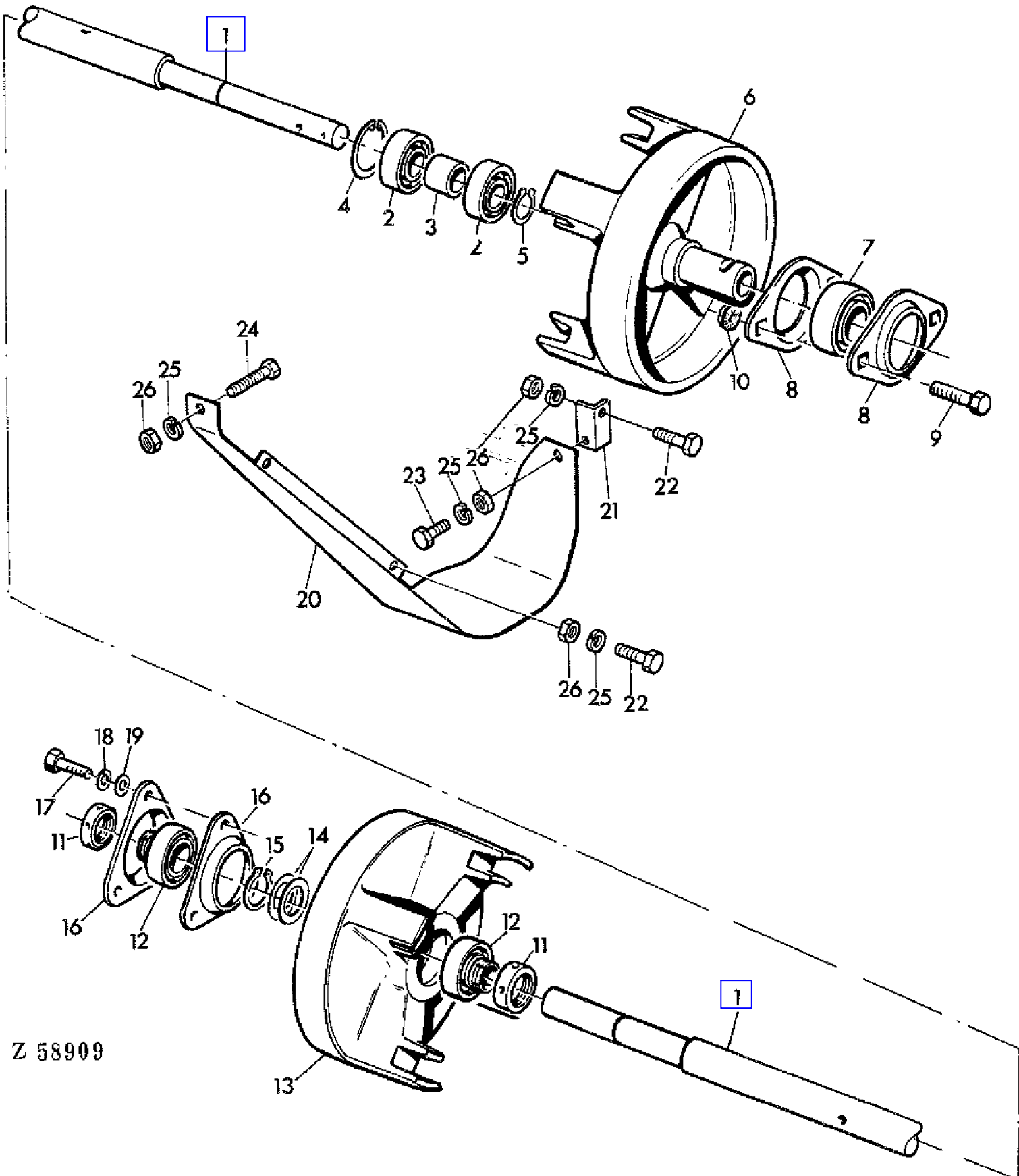
Z 55891

(2E22) COVER-GRAIN TANK
 COVERCLE DE RESERVOIR A GRAINS
 KORNTANKABDECKUNG
 COPERCHIO DEL SERBATOIO DEL GRANO
 CAPO, TANQUE DE GRANO
 SAEDESTANKSLOCK

KEY	PART NO.	PART NAME	QTY	SERIAL NO.	9 9 3 4 0 0	REMARKS
1	Z23320	COVER	1		X X	REAR, UP
2	AZ13131	COVER	1		X X	FRONT, UP
3	Z23321	ROD	2		X X	
4	AZ13129	COVER	1		X X	
5	Z23812	RIB	1		X X	RH
6	Z23326	FRAME	1		X X	FRONT
7	Z23316	RIB	3		X X	
8	Z23325	FRAME	1		X X	
9	Z23813	RIB	1		X X	LH
10	21M7088	SCREW	34		X X	M6 X 12
11	12M7012	LOCK WASHER	34		X X	6 MM
12	14M7027	NUT	34		X X	M6
13	19M7166	CAP SCREW	3		X X	M10 X 20
14	12M7013	LOCK WASHER	3		X X	10 MM
15	14M7140	NUT	3		X X	M10

(2C17) CROSS SHAKER SHAFT AND HUB

ARBRE ET MOYEU D'AGITATEUR TRANSVERSAL
QUERSCHUETTLERWELLE UND NABEN
ALBERO E MOZZI DELLO SCUOTITORE TRASVERSALE
EJE Y CUBO DE LA CRUCETA DEL BATIDOR
TVAERSKAKARAXEL OCH NAV



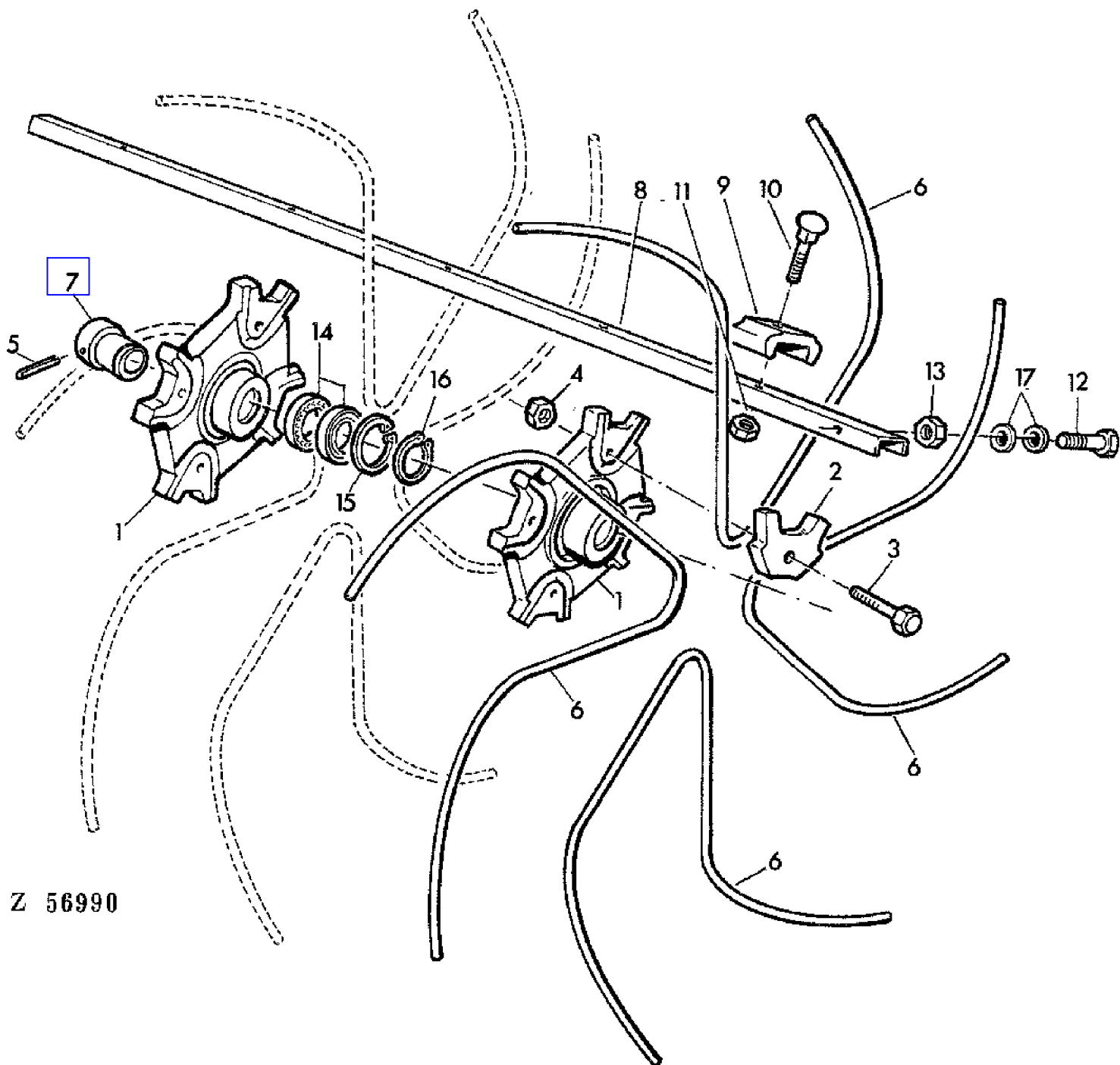
Z 58909

(2C17) CROSS SHAKER SHAFT AND HUB
 ARBRE ET MOYEU D'AGITATEUR TRANSVERSAL
 QUERSCHUETTLERWELLE UND NABEN
 ALBERO E MOZZI DELLO SCUOTITORE TRASVERSALE
 EJE Y CUBO DE LA CRUCETA DEL BATIDOR
 TVAERSKAKARAXEL OCH NAV

KEY	PART NO.	PART NAME	QTY	SERIAL NO.	9 9 3 4 0 0	REMARKS
1	Z30951	SHAFT	1		X	
2	AZ20217	BALL BEARING	2		X	
3	Z30956	BUSHING	1		X	
4	40M1865	SNAP RING	1		X	52 X 2 MM
5	40M1828	SNAP RING	1		X	25 X 1,5 MM
6	Z10756	HUB	1		X	
7	AZ23315	BALL BEARING	1		X	(SUB FOR AZ18667)
8	Z30957	PRESSED FLANGED HOUSING	2		X	
9	19M7268	CAP SCREW	2		X	M12 X 25
10	12M7055	WASHER	2		X	12 MM
11	AZ10044	ECCENTRIC LOCKING COLLAR	2		X	
12	JD39102	BALL BEARING	2		X	
13	Z10757	HUB	1		X	
14	Z24651	WASHER	4		X	52,2 X 40 X 1 MM (SUB FOR L19223)
15	40M1828	SNAP RING	1		X	25 X 1,5 MM
16	P47232	PRESSED FLANGED HOUSING	2		X	
17	19M7163	CAP SCREW	3		X	M8 X 25
18	12M7008	LOCK WASHER	3		X	4 MM
19	24M7036	WASHER	3		X	9 MM
20	AZ22013	DEFLECTOR	1		X	(A) RH
	AZ22014	DEFLECTOR	1		X	(A) LH
21	Z33067	ANGLE	1		X	(A) RH
	Z33068	ANGLE	1		X	(A) LH
22	19M7162	CAP SCREW	6		X	(A) M8 X 15
23	19M7297	CAP SCREW	2		X	(A) M8 X 12
24	19M7284	CAP SCREW	2		X	(A) M8 X 18
25	12M7008	LOCK WASHER	10		X	(A) 8 MM
26	14M7029	NUT	10		X	(A) M8

(A) SPECIAL EQUIPMENT
 EQUIPEMENT SPECIAL
 SONDERAUSRUESTUNG
 EQUIPAGGIAMENTO SPECIALE
 EQUIPO ESPECIAL
 SPECIALUTRUSTNING

(2C15) CROSS SHAKER STARS
AGITATEUR TRANSVERSAL
QUERSCHUETTLERSTERNE
STELLE DELLO SCUOTITORE TRASVERSALE
CRUCETA DEL BATIDOR
TVAERSKAKARSTJAERNOR

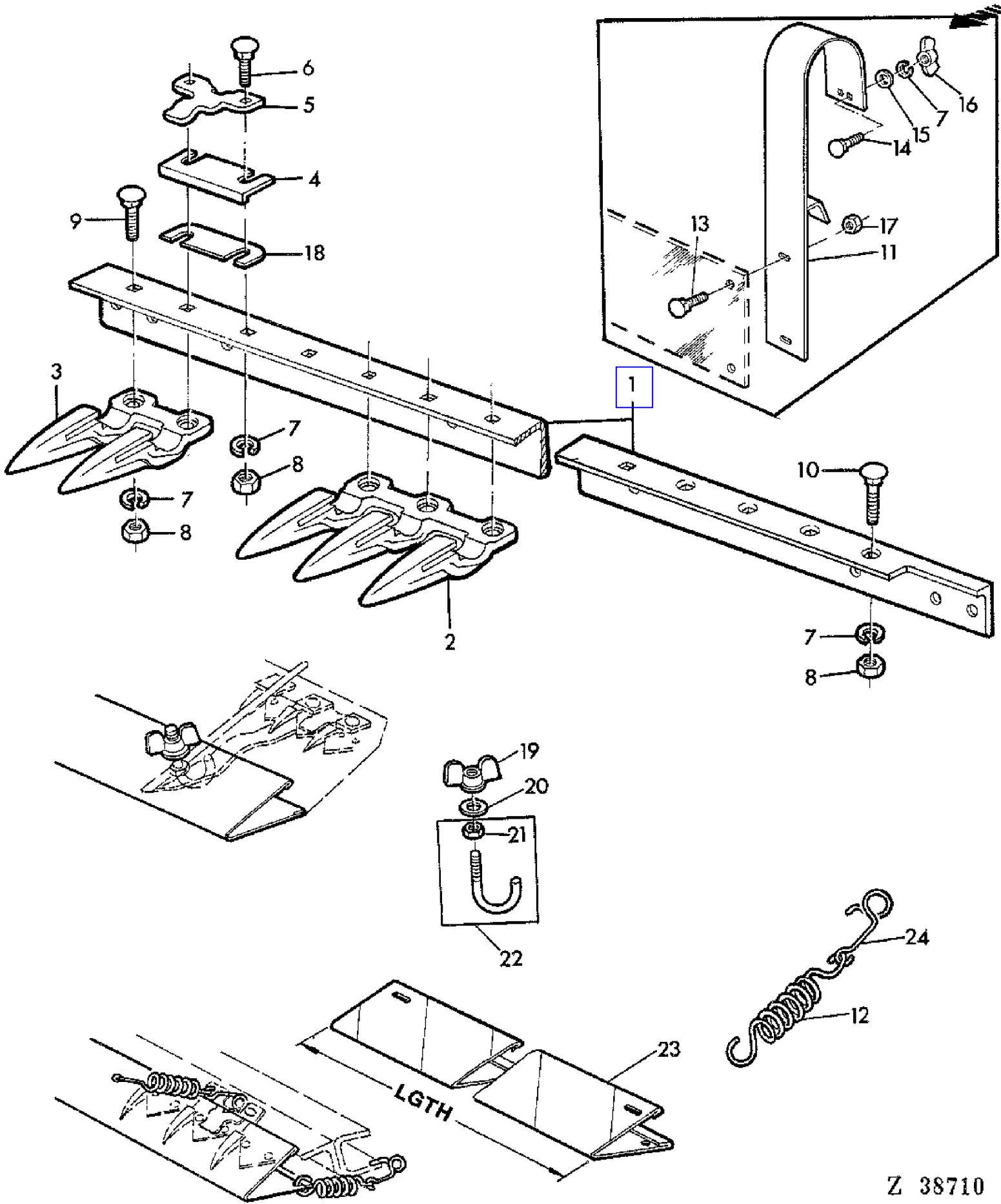


Z 56990

(2C15) CROSS SHAKER STARS
 AGITATEUR TRANSVERSAL
 QUERSCHUETTLERSTERNE
 STELLE DELLO SCUOTITORE TRASVERSALE
 CRUCETA DEL BATIDOR
 TVAERSKAKARSTJAERNOR

KEY	PART NO.	PART NAME	QTY	SERIAL NO.	9 9 3 4 0 0	REMARKS
1	Z10755	HUB	3		X	
2	Z10754	CLAMP	12		X	
3	19M7361	CAP SCREW	12		X	M12 X 50
4	14M7168	LOCK NUT	12		X	M12
5	34M7049	SPRING PIN	3		X	8 X 50 MM
6	Z30931	TINE	12		X	
7	Z30932	HUB	3		X	
8	Z30954	CHANNEL	2		X	
9	Z30955	GUIDE	6		X	
10	03M7093	BOLT	6		X	M8 X 25
11	14M7166	LOCK NUT	6		X	M8
12	19M7359	CAP SCREW	8		X	M10 X 55
13	14M7167	LOCK NUT	8		X	M10
14	AZ20216	BALL BEARING	6		X	
15	40M5099	SNAP RING	3		X	75 X 2,5 MM
16	40M1837	SNAP RING	3		X	45 X 1,75 MM
17	24M7028	WASHER	16		X	10,5 MM

(1H06) CUTTER BAR (CUTTING PLATFORM)
BARRE DE COUPE (PLATE-FORME DE COUPE)
MESSERBALKEN (SCHNEIDWERK)
BARRA FALCIANTE (PLATTAFORMA DI TAGLIO)
BARRA DE CORTE (PLATAFORMA DE CORTE)
KNIVBALK (SKAERBORD)



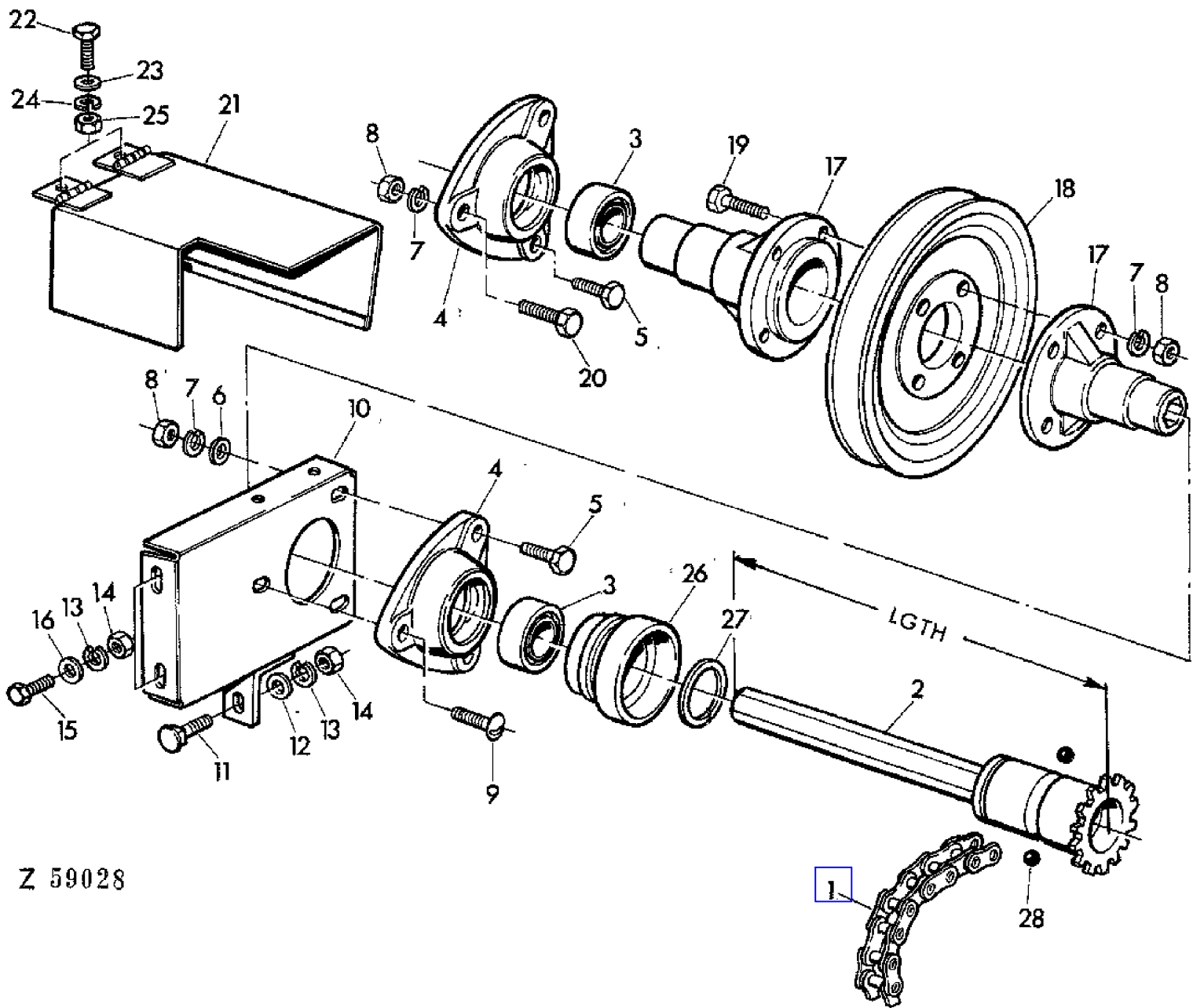
Z 38710

(1H06) CUTTER BAR (CUTTING PLATFORM)
 BARRE DE COUPE (PLATE-FORME DE COUPE)
 MESSERBALKEN (SCHNEIDWERK)
 BARRA FALCIANTE (PLATTAFORMA DI TAGLIO)
 BARRA DE CORTE (PLATAFORMA DE CORTE)
 KNIVBALK (SKAERBORD)

KEY	PART NO.	PART NAME	QTY	SERIAL NO.		9 9 3 4 0 0	REMARKS
1	Z36167	CUTTERBAR	1			X	7'9" (SUB FOR Z24323)
	Z36168	CUTTERBAR	1			X	8.5' (SUB FOR Z21428)
	Z36169	CUTTERBAR	1			X	10' (SUB FOR Z21447)
2	H25603	KNIFE GUARD	AR			X	
3	Z11228	KNIFE GUARD	AR			X	(SUB FOR H61954)
4	Z32049	WEAR PLATE	AR			X	(SUB FOR L19971)
5	Z10417	HOLD-DOWN CLIP	AR			X	
6	03M7087	BOLT	AR			X	M10 X 38
7	12M7013	LOCK WASHER	AR			X	10 MM
8	14M7140	NUT	AR			X	M10
9	03M7086	BOLT	AR			X	M10 X 30
10	03M7085	BOLT	3			X	M10 X 30
11	AZ20792	BRACKET	2		- XXXX	X	
12	Z25462	EXTENSION SPRING	AR	XXXX	-	X	
13	03M7091	BOLT	4		- XXXX	X	M6 X 40
14	03M7098	BOLT	4		- XXXX	X	M10 X 35
15	E12817	WASHER	4		- XXXX	X	
16	14M7025	WING NUT	4		- XXXX	X	M10
17	14M7027	NUT	4		- XXXX	X	M6
18	Z25258	GUIDE	AR			X	
19	Z20285	WING NUT	AR	XXXX	-	X	8 MM
20	24M7024	WASHER	AR	XXXX	-	X	9,5 MM
21	14M7029	NUT	AR	XXXX	-	X	M8
22	AZ30553	HOOK BOLT	AR	XXXX	-	X	
23	AZ32427	GUARD	1	XXXX	-	X	(A) 8,5', LGTH = 2535 MM (SUB FOR Z41001)
	AZ32432	GUARD	1	XXXX	-	X	(A) 10', LGTH = 2992 MM (SUB FOR Z41002)
24	Z32078	HOLDER	AR	XXXX	-	X	

(A) RED/WHITE
 ROUGE/BLANC
 ROT/WEISS
 ROSSO/BIANCO
 ROJO/BLANCO
 ROD/VIT

(2A18) CUTTING PLATFORM - DRIVE SHAFT
ARBRE D'ENTRAINEMENT DE LA PLATE-FORME DE COUPE
SCHNEIDWERK-ANTRIEBSWELLE
ALBERO DI COMANDO DELLA PLATTAFORMA DI TAGLIO
PLATAFORMA DE CORTE-EJE DE ACCIONAMIENTO
SKAERBOARD - DRIVAXEL

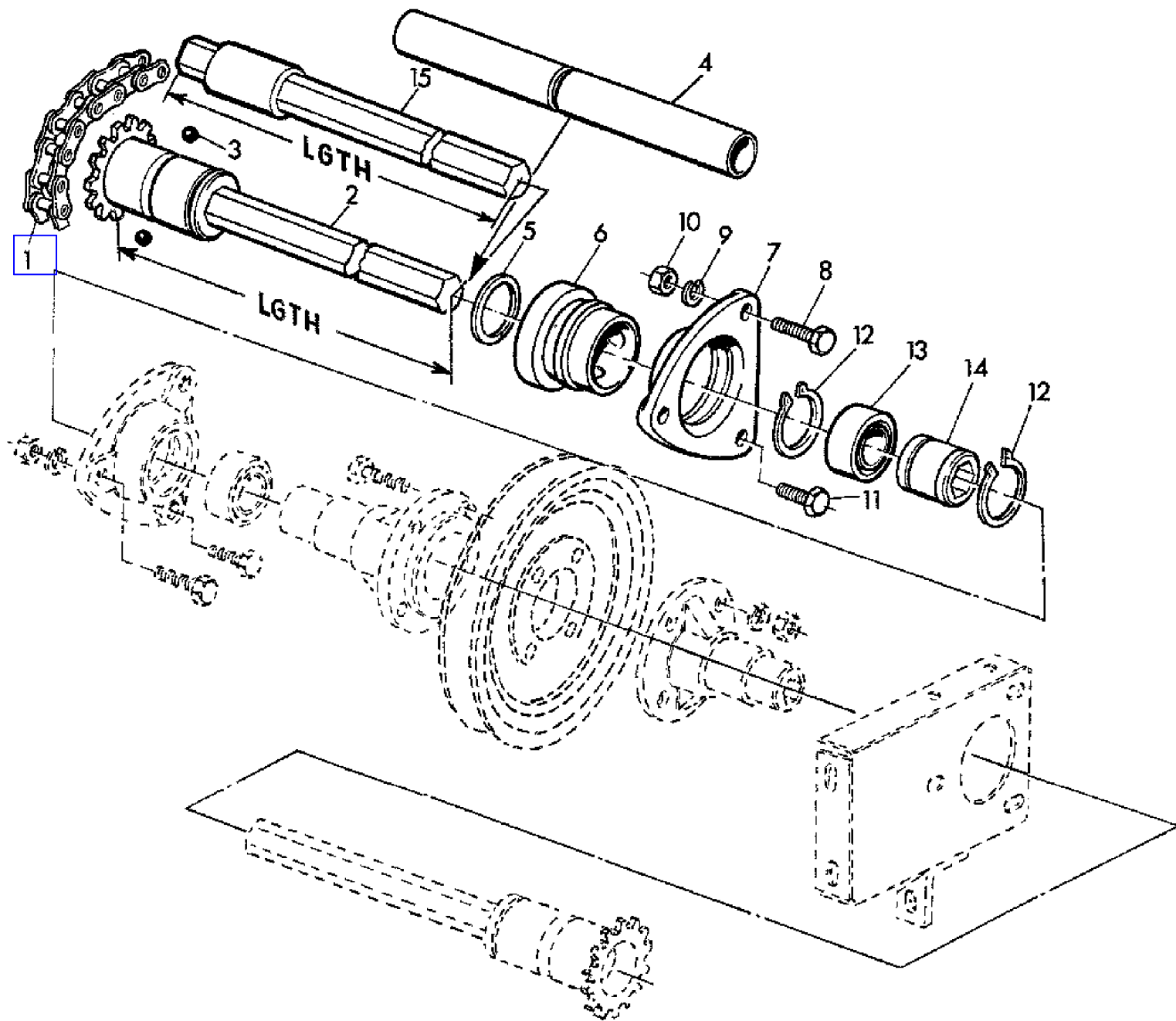


Z 59028

(2A18) CUTTING PLATFORM - DRIVE SHAFT
 ARBRE D'ENTRAINEMENT DE LA PLATE-FORME DE COUPE
 SCHNEIDWERK-ANTRIEBSWELLE
 ALBERO DI COMANDO DELLA PLATTAFORMA DI TAGLIO
 PLATAFORMA DE CORTE-EJE DE ACCIONAMIENTO
 SKAERBOARD - DRIVAXEL

KEY	PART NO.	PART NAME	QTY	SERIAL NO.	9 9 3 4 0 0	REMARKS
1	AN102383	LINK CHAIN	1		X X	
2	AZ20398	DRIVE SHAFT	1		X X	LGTH = 630 MM
3	AZ18667	BALL BEARING	2		X X	
4	Z10684	FLANGE	2		X X	
5	19M7168	CAP SCREW	3		X X	M10 X 30
6	24M7040	WASHER	3		X X	11 MM
7	12M7013	LOCK WASHER	10		X X	10 MM
8	14M7140	NUT	10		X X	M10
9	21M7093	SCREW	1		X X	M10 X 30
10	AZ19086	BRACKET	1		X X	
11	03M7089	BOLT	1		X X	M12 X 30
12	24M7047	WASHER	1		X X	13 MM
13	12M7014	LOCK WASHER	3		X X	12 MM
14	14M7031	NUT	3		X X	M12
15	19M7268	CAP SCREW	2		X X	M12 X 25
16	24M7038	WASHER	2		X X	14 MM
17	Z10685	HUB	2		X X	
18	Z10686	PULLEY	1		X X	
19	19M7180	CAP SCREW	4		X X	M10 X 45
20	19M7183	CAP SCREW	2		X X	M10 X 40
21	AZ20260	GUARD	1		X X	
22	19M7139	CAP SCREW	2		X X	M8 X 20
23	24M7036	WASHER	2		X X	9 MM
24	12M7008	LOCK WASHER	2		X X	8 MM
25	14M7029	NUT	2		X X	M8
26	AH89038	QUICK COUPLER	1		X X	(SUB FOR AN102530)
27	H25360	SNAP RING	1		X X	
28	N104243	BALL	3		X X	

(2A22) CUTTING PLATFORM - DRIVE SHAFT (CORN)
ARBRE D'ENTRAINEMENT DE LA PLATE-FORME DE COUPE (MAIS)
SCHNEIDWERK-ANTRIEBSWELLE (MAIS)
ALBERO DI COMANDO DELLA PLATTAFORMA DI TAGLIO (MAIS)
PLATAFORMA DE CORTE-EJE DE ACCIONAMIENTO (MAIS)
SKAERBOARD-DRIVAXEL (MAJS)



Z 61465

(2A22) CUTTING PLATFORM - DRIVE SHAFT (CORN)

ARBRE D'ENTRAINEMENT DE LA PLATE-FORME DE COUPE (MAIS)

SCHNEIDWERK-ANTRIEBSWELLE (MAIS)

ALBERO DI COMANDO DELLA PLATTAFORMA DI TAGLIO (MAIS)

PLATAFORMA DE CORTE-EJE DE ACCIONAMIENTO (MAIS)

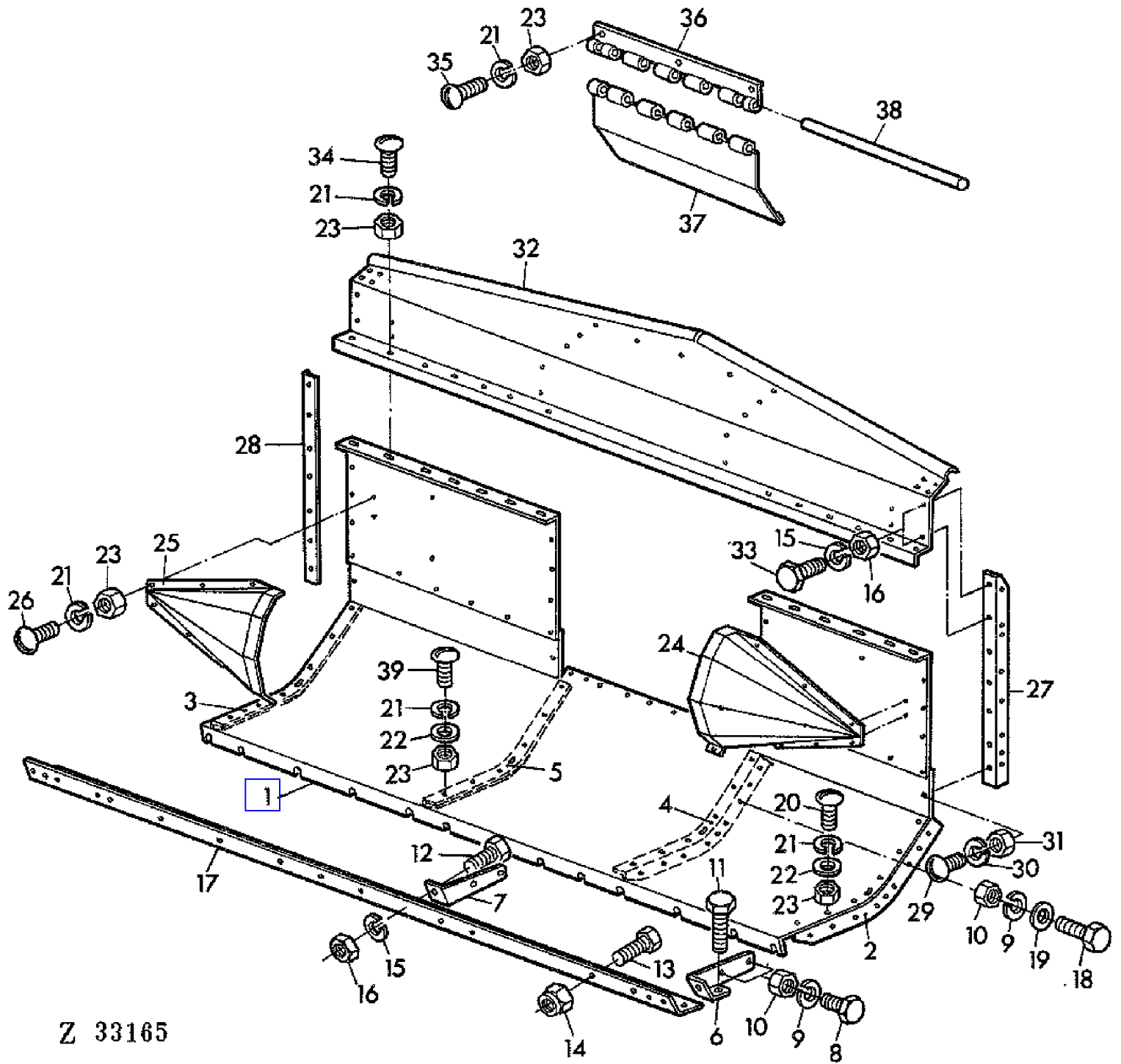
SKAERBOARD-DRIVAXEL (MAJS)

KEY	PART NO.	PART NAME	QTY	SERIAL NO.	9 9 3 4 0 0	REMARKS
1	AN102383	LINK CHAIN	1		X X	RH
2	AZ20399	DRIVE SHAFT	1		X X	(A) RH, LGTH = 1675 MM
3	N104243	BALL	3		X X	
4	Z31709	GUARD	1		X X	RH
5	H25360	SNAP RING	1		X X	RH
6	AH89038	QUICK COUPLER	1		X X	(SUB FOR AN102530)
7	Z10684	FLANGE	1		X X	
8	19M7183	CAP SCREW	2		X X	M10 X 40
9	12M7013	LOCK WASHER	3		X X	10 MM
10	14M7140	NUT	3		X X	M10
11	19M7168	CAP SCREW	1		X X	M10 X 30
12	40M1835	SNAP RING	2		X X	40 X 1,75 MM
13	AZ18667	BALL BEARING	1		X X	
14	Z30548	COUPLING	1		X X	
15	AZ20491	SHAFT	1		X X	(B) RH, LGTH = 1625 MM

(A) WITH CORN HEADS 343,344
 AVEC CUEILLEURSA MAIS 343,344
 BEI MAISPFLUECKVORSATZ 343,344
 CON PIATTAF.TAGLIO MAIS 343,344
 CON CABEZALES PARA MAIZ 343,344
 VID MAJSAGGREGAT 343,344

(B) WITH CORN HEAD 244
 AVEC CUEILLEUR A MAIS 244
 BEI MAISPFLUECKVORSATZ 244
 CON PIATTAF.TAGLIO MAIS 244
 CON CABEZAL PARA MAIZ 244
 VID MAJSAGGREGAT 244

(1H16) CUTTING PLATFORM BOTTOM
FOND DE LA PLATEFORME DE COUPE
SCHNEIDWERKMULDE
PLATTAFORMA DI TAGLIO
BASE DE LA PLATAFORMA DE CORTE
SKARBORDSBOTTEN



Z 33165

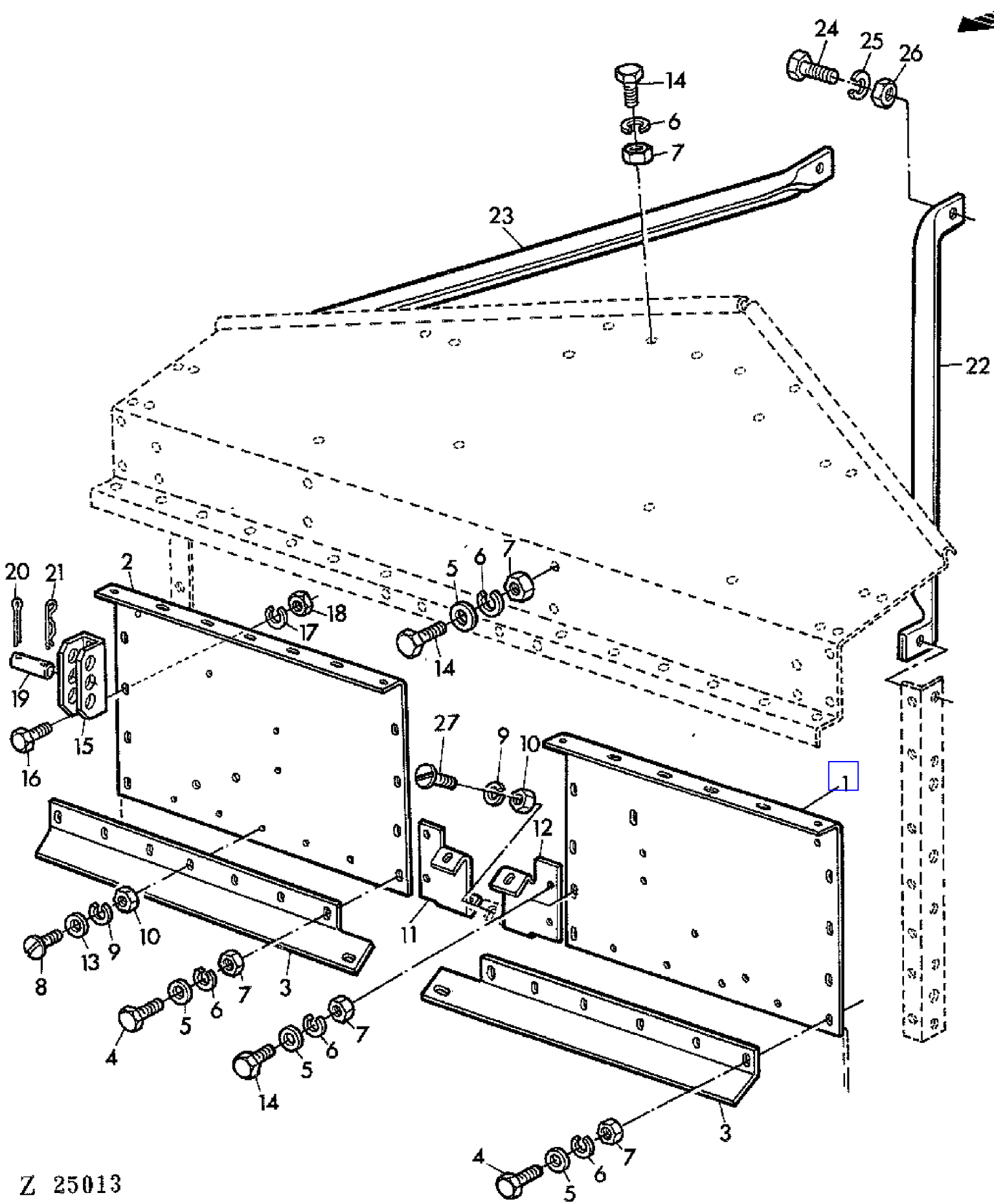
(1H16) CUTTING PLATFORM BOTTOM
 FOND DE LA PLATEFORME DE COUPE
 SCHNEIDWERKMULDE
 PLATTAFORMA DI TAGLIO
 BASE DE LA PLATAFORMA DE CORTE
 SKARBORDSBOTTEN

KEY	PART NO.	PART NAME	QTY	SERIAL NO.	9 3 0	9 4 0	REMARKS
1	Z24325	SHEET	1		X		7'9"
	Z21423	SHEET	1		X		8.5'
	Z21442	SHEET	1		X		10'
2	Z20373	ANGLE	1		X		LH
3	Z20374	ANGLE	1		X		RH
4	Z20375	ANGLE	1		X		LH
5	Z20376	FRAME	1		X		RH
6	Z10015	HOLDER	2		X		
7	Z10016	HOLDER	1		X		
8	19M7171	CAP SCREW	4		X		M12 X 35
9	12M7014	LOCK WASHER	10		X		12 MM
10	14M7031	NUT	10		X		M12
11	19M7169	CAP SCREW	3		X		M10 X 35
12	19M7167	CAP SCREW	3		X		M10 X 25
13	19M7166	CAP SCREW	AR		X		M10 X 20
14	14M7167	LOCK NUT	AR		X		M10
15	12M7013	LOCK WASHER	AR		X		10 MM
16	14M7140	NUT	AR		X		M10
17	Z24326	ANGLE	1		X		7.9'
	Z21427	ANGLE	1		X		8.54
	Z21446	ANGLE	1		X		10'
18	19M7268	CAP SCREW	6		X		M12 X 25
19	24M7038	WASHER	6		X		14 MM
20	21M7159	SCREW	AR		X		M6 X 25
21	12M7012	LOCK WASHER	AR		X		6 MM
22	Z26250	WASHER	AR		X		
23	14M7027	NUT	AR		X		M6
24	Z26691	DEFLECTOR	1		X		LH
25	Z26690	DEFLECTOR	1		X		RH
26	21M7031	SCREW	12		X		M6 X 15
27	Z20377	ANGLE	1		X		LH
28	Z20378	ANGLE	1		X		RH
29	21M7089	SCREW	4		X		M8 X 20
30	12M7008	LOCK WASHER	4		X		8 MM
31	14M7029	NUT	4		X		M8
32	Z24324	SHEET	1		X		7'9"
	Z21426	SHEET	1		X		8.5'
	Z21445	SHEET	1		X		10'
33	19M7166	CAP SCREW	8		X		M10 X 25
34	21M7094	SCREW	AR		X		M6 X 15
35	21M7087	SCREW	AR		X		M6 X 12
36	Z26255	HINGE	1		X		
37	Z26259	HINGE	1		X		
38	Z26252	PIN	1		X		

(1H16) CUTTING PLATFORM BOTTOM
FOND DE LA PLATEFORME DE COUPE
SCHNEIDWERKMULDE
PLATTAFORMA DI TAGLIO
BASE DE LA PLATAFORMA DE CORTE
SKARBORDSBOTTEN

KEY	PART NO.	PART NAME	QTY	SERIAL NO.	99 34 00	REMARKS
39	21M7127	SCREW	AR		X	M6 X 18

(1H18) CUTTING PLATFORM BOTTOM - REAR SHEET
FOND DE LA PLATEFORME DE COUPE - PAROIS ARRIERES
SCHNEIDWERKMULDEN - RUECKWAND
PLATAFORMA DI TAGLIO, FONDO POSTERIORE-INFERIORE
BASE DE LA PLATAFORMA DE CORE - PAREDES POSTERIORES
SKARBORD,BOTTEN - BAKPLAAT

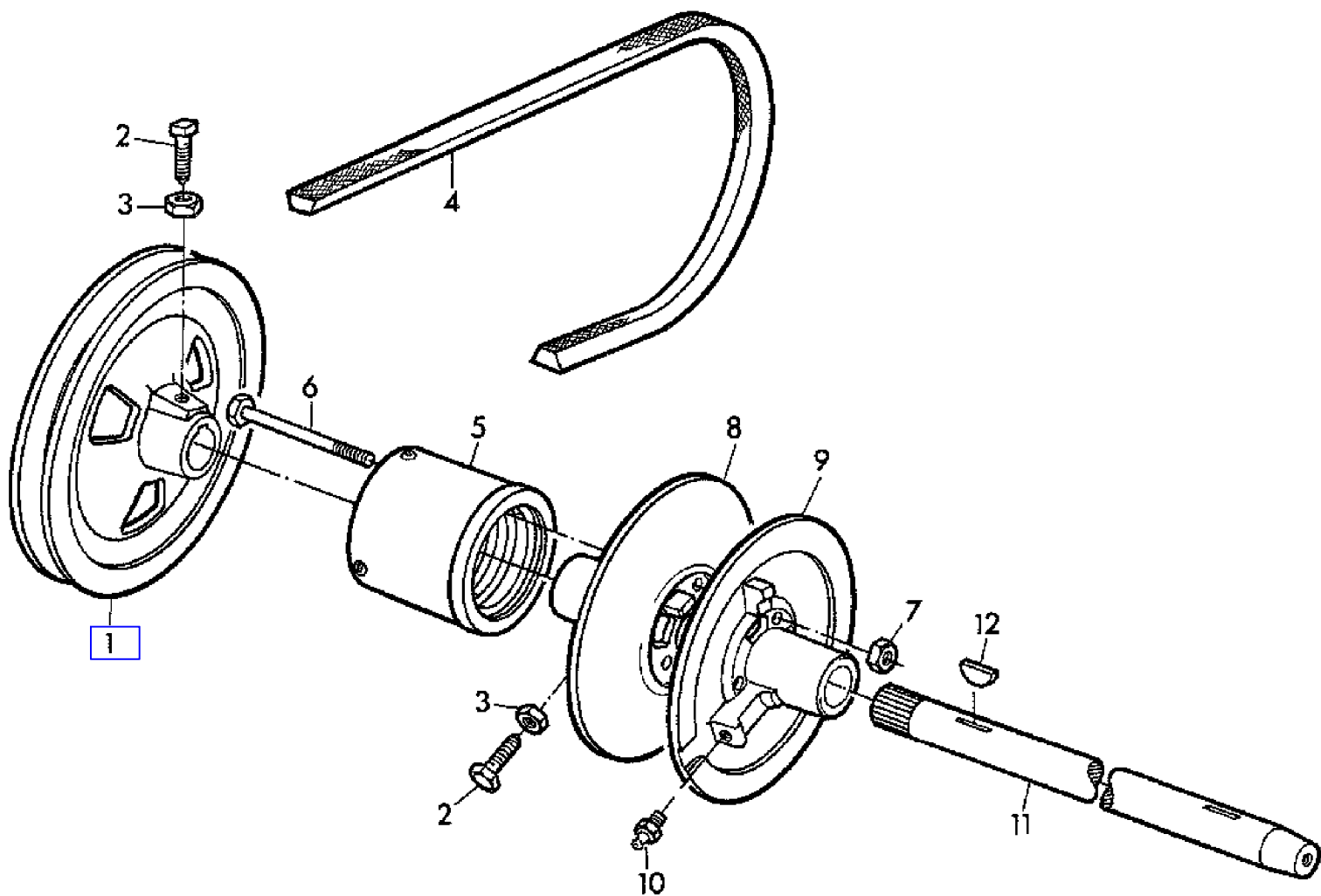


Z 25013

(1H18) CUTTING PLATFORM BOTTOM - REAR SHEET
 FOND DE LA PLATEFORME DE COUPE - PAROIS ARRIERES
 SCHNEIDWERKMULDEN - RUECKWAND
 PLATAFORMA DI TAGLIO, FONDO POSTERIORE-INFERIORE
 BASE DE LA PLATAFORMA DE CORE - PAREDES POSTERIORES
 SKARBORD,BOTTEN - BAKPLAAT

KEY	PART NO.	PART NAME	QTY	SERIAL NO.	9 3 0	9 4 0	REMARKS
1	Z20371	SHEET	1		X		7'9", LH
	Z21424	SHEET	1		X		8,5', LH
	Z21443	SHEET	1		X		10', LH
2	Z21425	SHEET	1		X		7'9", 8,5', RH
	Z21444	SHEET	1		X		10', RH
3	Z26295	ANGLE	2		X		7'9", LH
	Z26292	ANGLE	2		X		7'9", 8,5', RH
	Z26293	ANGLE	2		X		8,5', LH
	Z26291	ANGLE	2		X		10', LH
4	Z26290	ANGLE	2		X		10', RH
	19M7284	CAP SCREW	4		X		M8 X 18
5	24M7036	WASHER	AR		X		9 MM
6	12M7008	LOCK WASHER	AR		X		8 MM
7	14M7029	NUT	AR		X		M8
8	21M7031	SCREW	AR		X		M6 X 15
9	12M7012	LOCK WASHER	AR		X		6 MM
10	14M7027	NUT	AR		X		M6
11	Z26898	HOLDER	1		X		RH
12	Z26899	HOLDER	1		X		LH
13	24M7088	WASHER	AR		X		6,6 MM
14	19M7162	CAP SCREW	AR		X		M8 X 15
15	Z20385	HOLDER	2		X		
16	19M7166	CAP SCREW	4		X		10 X 20 MM
17	12M7013	LOCK WASHER	4		X		10 MM
18	14M7140	NUT	4		X		M10
19	44M7002	PIN	2		X		22 X 85 X 70 MM
20	11M7028	COTTER PIN	2		X		5 X 35 MM
21	L18955	QUICK LOCK PIN	2		X		
22	Z20402	HOLDER	1		X		7'9", LH
	Z21439	HOLDER	1		X		8,5', LH
23	Z21461	HOLDER	1		X		10', LH
	Z21440	HOLDER	1		X		7'9", 8,5', RH
	Z21462	HOLDER	1		X		10', RH
24	19M7387	CAP SCREW	2		X		M12 X 40
25	12M7014	LOCK WASHER	2		X		12 MM
26	14M7031	NUT	2		X		M12
27	21M7085	SCREW	AR		X		M6 X 20

(1H14) CUTTING PLATFORM DRIVE
PLATE-FORME DE COUPE ENTRAINEMENT
SCHNEIDWERKANTRIEB
PIATTAFORMA DI TAGLIO COMANDO
PLATAFORME DE CORTE ACCIONAMIENTO
SKARBORD-DRIV



Z 58885

(1H14) CUTTING PLATFORM DRIVE
 PLATE-FORME DE COUPE ENTRAINEMENT
 SCHNEIDWERKANTRIEB
 PLATTAFORMA DI TAGLIO COMANDO
 PLATAFORME DE CORTE ACCIONAMIENTO
 SKARBORD-DRIV

KEY	PART NO.	PART NAME	QTY	SERIAL NO.	9 9 3 4 0 0	REMARKS
1	Z10087	PULLEY	1		X	
2	Z32433	SET SCREW	2		X	10 X 30 MM (SUB FOR Z26238)
3	14M7140	NUT	2		X	M10
4	Z23693	BELT	1		X	
5	AZ10248	SPRING ASSEMBLY	1		X	ASSY
6	Z26264	CAP SCREW	3		X	
7	14M7165	LOCK NUT	3		X	M6
8	Z10080	HALF SHEAVE	1		X	
9	Z10081	HALF SHEAVE	1		X	
10	58M5573	LUBRICATION FITTING	1		X	6 MM
11	Z20453	SHAFT	1		X	7'9"
	Z21441	SHAFT	1		X	8,5'
12	Z21463	SHAFT	1		X	10'
	26M6733	SHAFT KEY	1		X	8 X 13 MM

(1H24) CUTTING PLATFORM GUARDS

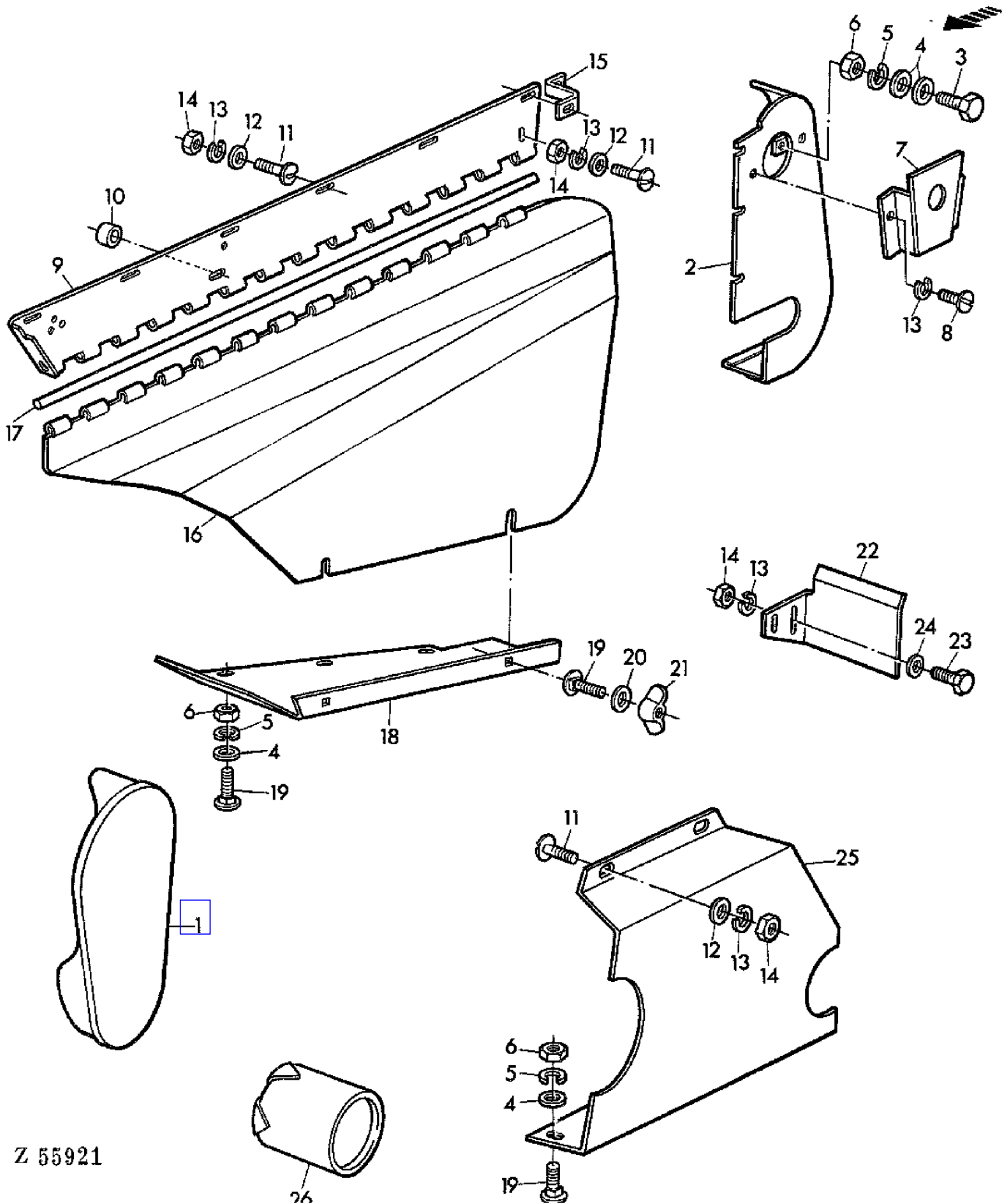
GARANTS DE PLATE-FORME DE COUPE

SCHNEIDWERKSCHUTZE

DIFESA DELLA PLATTAFORMA DI TAGLIO

PROTECCIONES DE LA PLATAFORMA DE CORTE

SKYDD FOERS SKAERBORDET



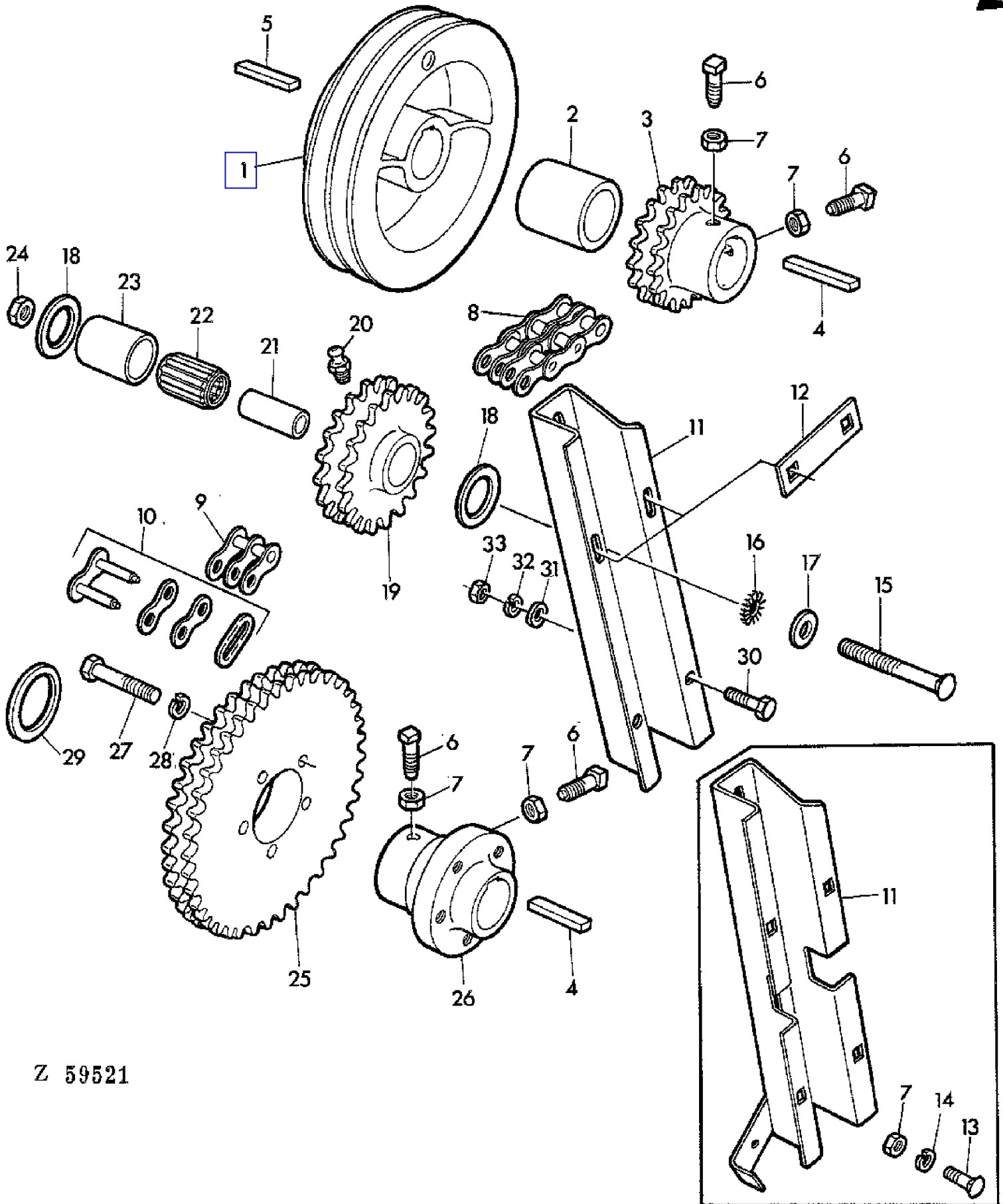
Z 55921

(1H24) CUTTING PLATFORM GUARDS
 GARANTS DE PLATE-FORME DE COUPE
 SCHNEIDWERKSCHUTZE
 DIFESA DELLA PLATTAFORMA DI TAGLIO
 PROTECCIONES DE LA PLATAFORMA DE CORTE
 SKYDD FOERS SKAERBORDET

KEY	PART NO.	PART NAME	QTY	SERIAL NO.	9 9 3 4 0 0	REMARKS
1	AZ10269	GUARD	1		X	
2	AZ10229	GUARD	1		X	
3	19M7139	CAP SCREW	1		X	M8 X 20
4	24M7036	WASHER	8		X	9 MM
5	12M7008	LOCK WASHER	7		X	8 MM
6	14M7029	NUT	7		X	M8
7	AZ15241	GUARD	1		X	
8	21M7083	SCREW	2		X	M6 X 10
9	Z20430	HINGE	1		X	
10	Z21523	SPACER	1		X	
11	21M7031	SCREW	8		X	M6 X 15
12	24M7088	WASHER	8		X	6,6 MM
13	12M7012	LOCK WASHER	12		X	6 MM
14	14M7027	NUT	10		X	M6
15	Z20431	HOLDER	1		X	
16	AZ10603	GUARD	1		X	
17	Z20565	PIN	1		X	
18	Z20563	GUARD	1		X	
19	03M7054	BOLT	8		X	M8 X 20
20	24M7039	WASHER	2		X	9,5 MM
21	14M7020	WING NUT	3		X	M8
22	Z22634	GUARD	1		X	
23	19M7159	CAP SCREW	2		X	M6 X 15
24	Z26250	WASHER	2		X	6,4 MM
25	Z26162	GUARD	1		X	
26	AZ16245	GUARD	1		X	

(2B10) CYLINDER CHAIN DRIVE

COMMANDE DE BATTEUR PAR CHAINE
DRESCHTROMMEL-KETTENANTRIEB
CATENA COMANDO BATTITORE
TRANSMISION POUR CADENA DEL CILINDRO
DRIVKEDJA FOER CYLINDERN



Z 59521

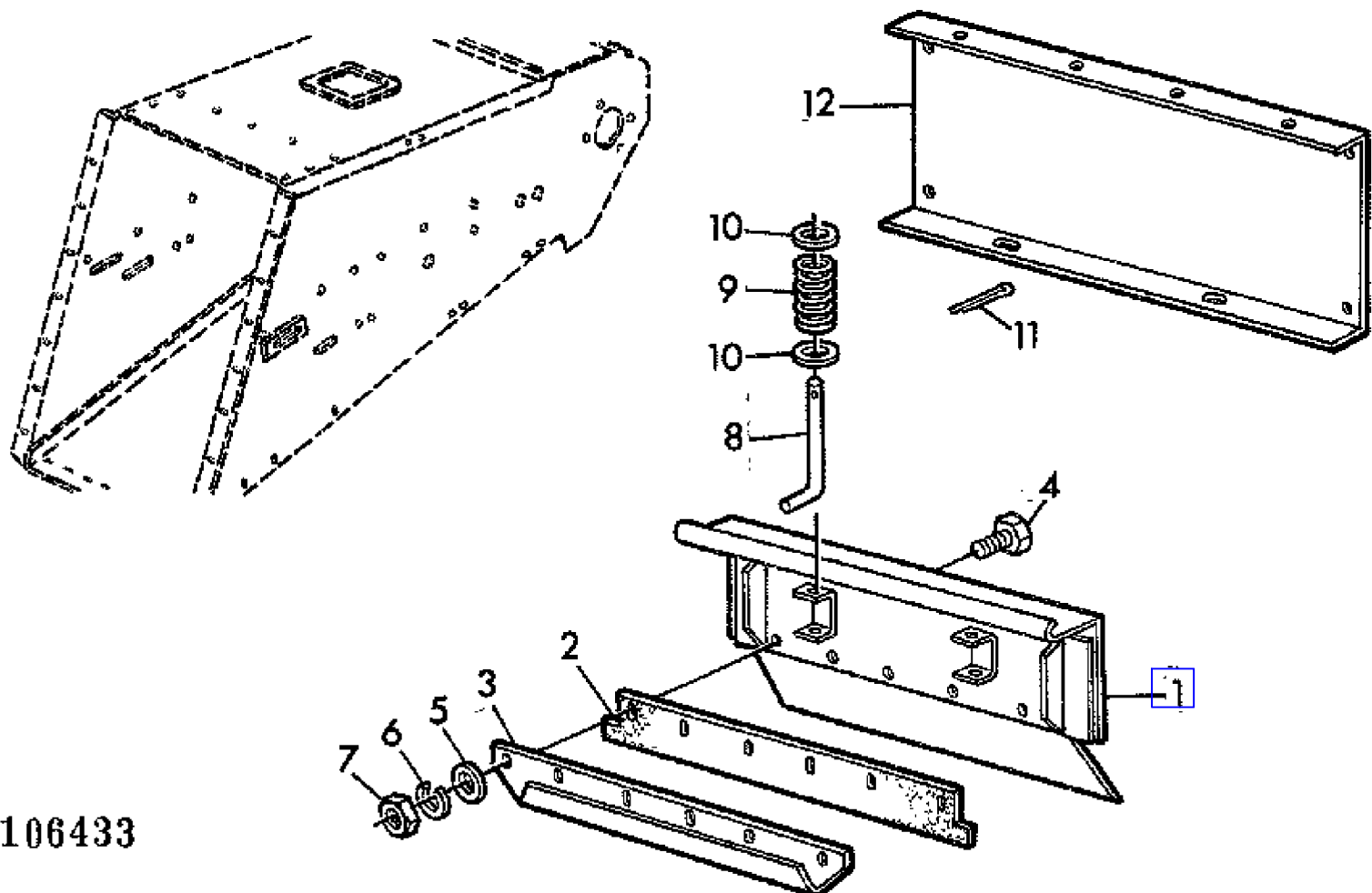
(2B10) CYLINDER CHAIN DRIVE
 COMMANDE DE BATTEUR PAR CHAINE
 DRESCHTROMMEL-KETTENANTRIEB
 CATENA COMANDO BATTITORE
 TRANSMISION POUR CADENA DEL CILINDRO
 DRIVKEDJA FOER CYLINDERN

KEY	PART NO.	PART NAME	QTY	SERIAL NO.	9 9 3 4 0 0	REMARKS
1	Z23780	PULLEY	1		XX	
2	Z30811	SPACER	1		XX	
3	Z28035	CHAIN SPROCKET	1		XX	Z = 17
4	49M4123	SHAFT KEY	2		XX	10 X 8 X 70 MM
5	49M4121	SHAFT KEY	1		XX	10 X 8 X 50 MM
6	Z32433	SET SCREW	4		XX	10 X 30 MM (SUB FOR Z26238)
7	14M7140	NUT	8		XX	M10
8	AZ16728	LINK CHAIN	AR		XX	L = 10
	AZ18000	LINK CHAIN	AR		XX	L = 105
9	AL15955	LINK	1		XX	
10	AL15956	LINK	1		XX	
11	AZ16729	HOLDER	1		XX	(A)
12	Z32551	HOLDER	1		XX	(B)
13	Z22034	STRAP	1		XX	
	03M7088	BOLT	4		XX	M10 X 20
14	12M7013	LOCK WASHER	4		XX	10 MM
15	03M7112	BOLT	1		XX	M12 X 100
16	12M7054	LOCK WASHER	1		XX	
17	24M7049	WASHER	1		XX	18 MM
18	24H1353	WASHER	2		XX	
19	PK860H	CHAIN SPROCKET	1		XX	
20	JD7759	LUBRICATION FITTING	1		XX	
21	Z23784	BUSHING	1		XX	
22	JD7911	ROLLER BEARING	1		XX	
23	JD7455	BEARING RACE	1		XX	
24	14M7168	LOCK NUT	1		XX	M12
25	H28678	CHAIN SPROCKET	1		XX	Z = 42
	H30767	CHAIN SPROCKET	1		XX	Z = 48
	H28679	CHAIN SPROCKET	1		XX	Z = 59
	Z10589	CHAIN SPROCKET	1		XX	Z = 76
26	Z10424	HUB	1		XX	
27	19M7389	CAP SCREW	5		XX	M12 X 60
28	12M7014	LOCK WASHER	5		XX	12 MM
29	24M7142	WASHER	1		XX	47 MM
30	19M7163	CAP SCREW	4		XX	M8 X 25
31	24M7036	WASHER	4		XX	9 MM
32	12M7008	LOCK WASHER	4		XX	8 MM
33	14M7029	NUT	4		XX	M8

(A) (-930420)
 (-941030)

(B) (930421-)
 (941031-)

(1J06) CYLINDER CLEANING OPENING COVER
PORTE DE NETTOYAGE DU BATTEUR
DRESCHTROMMEL-REINIGUNGSKLAPPE
PORTINE D'ACCESSO AL BATTITORE
TAPA REGSTRO PARA LA LIMPIEZA DEL CILINDRO DESGRANADOR
CYLINDERNS RENSLUCKA

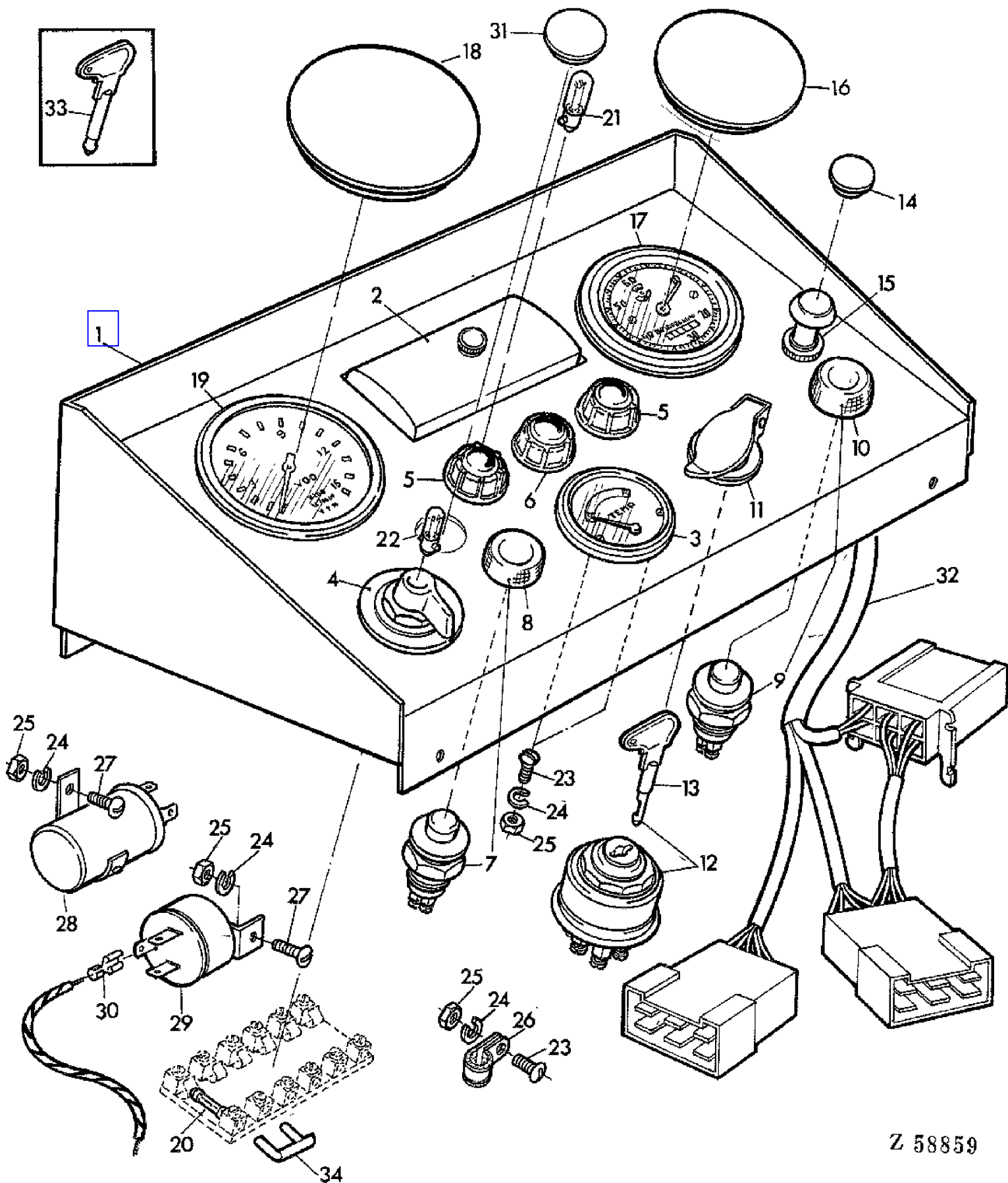


Z 106433

(1J06) CYLINDER CLEANING OPENING COVER
 PORTE DE NETTOYAGE DU BATTEUR
 DRESCHTROMMEL-REINIGUNGSKLAPPE
 PORTINE D'ACCESSO AL BATTITORE
 TAPA REGSTRO PARA LA LIMPIEZA DEL CILINDRO DESGRANADOR
 CYLINDERNS RENS Lucka

KEY	PART NO.	PART NAME	QTY	SERIAL NO.	9 9 3 4 0 0	REMARKS
1	AZ17301	COVER	1		X	
2	Z20644	GASKET	1		X	
3	Z28470	ANGLE	1		X	
4	19M7286	CAP SCREW	6		X	M6 X 25
5	Z26250	WASHER	6		X	
6	12M7012	LOCK WASHER	6		X	6 MM
7	14M7027	NUT	6		X	M6
8	Z20274	LATCH	2		X	
9	Z23940	COMPRESSION SPRING	2		X	
10	24M7050	WASHER	4		X	10,5 MM
11	11M7013	COTTER PIN	2		X	3 X 20 MM
12	Z21703	COVER	1		X	

(1D15) DASHBOARD PANEL
PANNEAU DU TABLEAU DE BORD
ARMATURENKASTEN
PANNELLO DEL CRUSCOTTO
TABLERO DE INSTRUMENTOS
INSTRUMENTPANEL

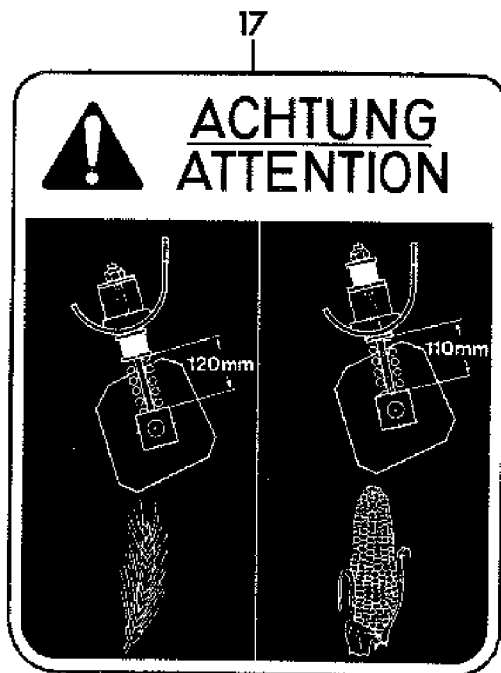
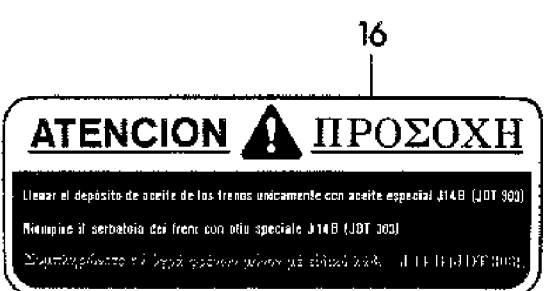
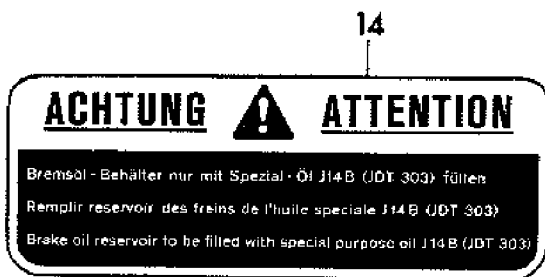
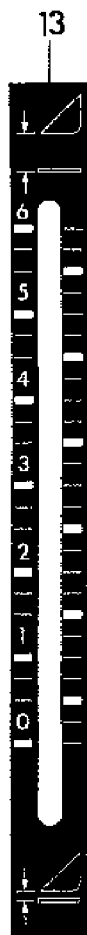
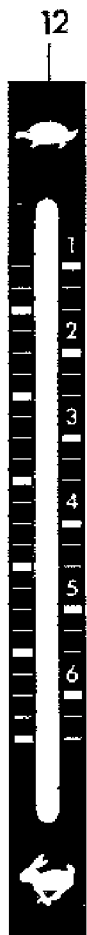
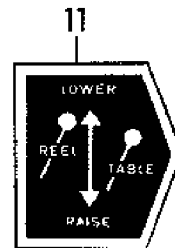
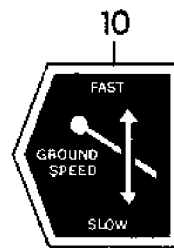
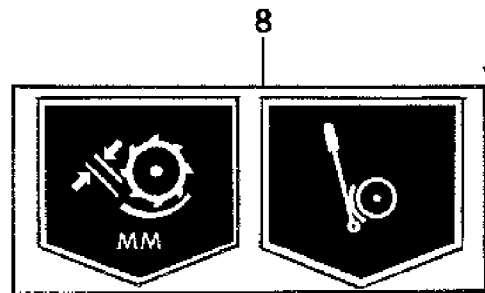
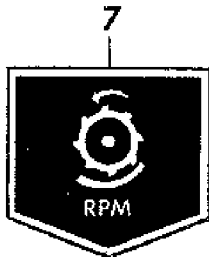


Z 58859

(1D15) DASHBOARDB PANEL
PANNEAU DU TABLEAU DE BORD
ARMATURENKASTEN
PANNELLO DEL CRUSCOTTO
TABLERO DE INSTRUMENTOS
INSTRUMENTPANEL

KEY	PART NO.	PART NAME	QTY	SERIAL NO.	9 9 3 4 0 0	REMARKS
1	AZ18553	INSTRUMENT PANEL	1		X X	
2	AZ17572	FUSE BOX	1		X X	ASSY, INCL KEY 20
3	BZ11118	GAUGE	1		X X	(SUB FOR AZ12800)
4	AZ13380	SWITCH	1		X X	
	Z22806	SWITCH	1		X X	
5	Z21973	INDICATOR LIGHT	2		X X	ASSY
6	Z21974	INDICATOR LIGHT	1		X X	ASSY
7	AZ29697	SWITCH	1		X X	INCL KEY 8 (SUB FOR AZ14727)
8	Z25724	CAP	1		X X	
9	AZ16230	PUSH BUTTON	1		X X	ASSY, INCL KEY 10
10	Z27463	CAP	1		X X	
11	Z21984	COVER	1		X X	
12	AZ21092	SWITCH	1		X X	
13	Z32296	KEY	1		X X	(FOR L22594)
14	Z30235	COVER	1		X X	
15	AZ21185	SWITCH	1		X X	ASSY (SUB FOR AZ17993)
16	Z30234	PLUG	1		X X	
17	AZ27640	HOUR METER	1		X X	ASSY (SUB FOR AZ17023)
18	Z30233	COVER	1		X X	
19	AZ19589	GAUGE	1		X X	ASSY
20	99M7048	FUSE	6		X X	8A
21	57M6277	BULB	3		X X	H 12V 2W
22	57M6343	BULB	1		X X	J 12V 2W
23	21M7142	SCREW	3		X X	M5 X 25
24	12M7011	LOCK WASHER	5		X X	5 MM
25	14M7028	NUT	5		X X	M5
26	Z22071	CLAMP	AR		X X	
27	21M7140	SCREW	1		X X	M5 X 10
28	AZ16730	FLASHER	1		X X	
29	Z21989	FLASHER	1		X X	
30	57M7045	TERMINAL	AR		X X	
31	Z33643	COVER	1		X X	
32	AZ18769	WIRING HARNESS	1		X X	
33	L22594	KEY	1		X X	AR
34	Z30225	JUMPER	4		X X	

(2H22) DECALCOAMIAS
DECALCOMANIES
ABSCHIEBEBILDER
DECALCOMANIE
CALCOMANIAS
DECALER

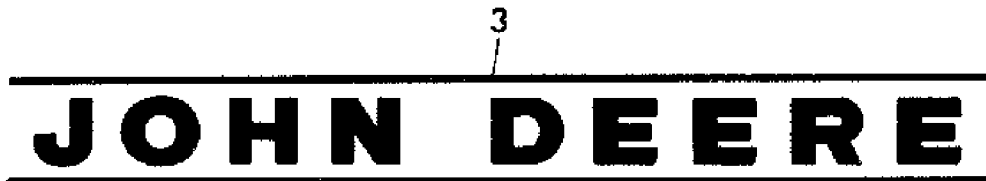
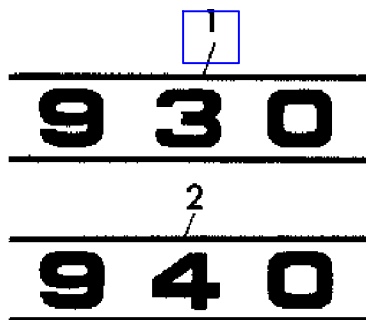


Z 58930

(2H22) DECALCOAMIAS
DECALCOMANIES
ABSCHIEBEBILDER
DECALCOMANIE
CALCOMANIAS
DECALER

KEY	PART NO.	PART NAME	QTY	SERIAL NO.	9 9 3 4 0 0	REMARKS
1	Z22158	DECAL	1		XX	
2	Z31955	DECAL	1		XX	
3	Z22160	DECAL	1		XX	
4	Z22159	DECAL	1		XX	
5	Z31207	DECAL	1		XX	
6	Z28004	DECAL	1		XX	
7	Z30757	DECAL	1		XX	
8	Z30758	DECAL	1		XX	
9	Z22163	DECAL	1		XX	
10	Z22625	DECAL	1		XX	
11	Z22624	DECAL	1		XX	
12	Z30010	DECAL	1		XX	
13	Z30011	DECAL	1		XX	
14	Z39053	DECAL	1		XX	(SUB FOR Z31953)
15	Z39055	DECAL	1		XX	(SUB FOR Z31968)
16	Z39054	DECAL	1		XX	(SUB FOR Z31969)
17	Z32347	DECAL	1		XX	
18	Z32500	DECAL	2		XX	
19	Z32501	DECAL	2		XX	

(2H20) DECALCOMANIAS
DECALCOMANIES
ABSCHIEBEBILDER
DECALCOMANIE
CALCOMANIAS
DECALER



4

ACHTUNG
ATTENTION

1. Alle Schutzvorrichtungen müssen angebracht sein.
2. Vor dem Warten oder Reinigen der Maschine alle Antriebe auskuppeln und Motor abstellen.

1. Placer tous les écrans de protection.
2. Débrayer toutes les commandes et arrêter le moteur pour tous travaux de service et entretien de la machine.

1. Keep all shields in place.
2. Disengage all power and shut off engine before servicing or cleaning machine.

5

HUSK
HUOM

1. Alle beskyttelsesskærme skal være på plads.
2. Før al vedligeholdelse og rengøring skal alle koblinger være frakoblede og motoren standset.

1. Samtliga skyddsanordningar skall vara monterade.
2. Stanna motorn för rengöring och smörjning.

1. Kaikkien suojalaitteiden tulee olla asennettuina paikoilleen.
2. Ennen koneen huoltoa ja puhdistusta kaikki voimankäyttökohtat on kytkettävä vapaalle ja moottori pysäytettävä.

6

ATENCIÓN
ΠΡΟΣΟΧΗ

1. Poner todas las tapas de protección.
2. Desembragar todas las palancas y parar el motor antes de limpiar o de entretener la máquina.

1. I dispositivi di protezione non smontare.
2. Disaccoppiare tutti i comandi e fermare il motore prima di pulire o lavorare alla macchina.

1. Όχι προφυλακτήρες να είναι πάνω στο μηχάνημα τους.
2. Όχι αμυντήρι και οι μηχανές από κίνηση πριν από την συντήρηση ή καθαρισμό.

7

ACHTUNG! **ATTENTION!**

Radschrauben fest anziehen
serrer les vis de roue
keep wheel bolts tight
(42mkp) 420 Nm (304 ft.lb)

8

HUSK **HUOM**

Hjulboltene spændes godt til
Häll hjulbultarna åtdragna till
Pyörien ruuvit kiristettävä hyvin
(42mkp) 420 Nm (304 ft.lb)

9

ATENCIÓN **ΠΡΟΣΟΧΗ**

Apriar bien los pernos de la rueda
Tenere i bulloni delle ruote ben serrati
Σφιχτά να μπαίνουν των τροχών
(42mkp) 420 Nm (304 ft.lb)

ACHTUNG
ATTENTION

Schutzvorrichtung nicht entfernen
En Leupnär Maschineri nicht is oer Könnant gessen.
Bei Verstopfung einen Stößel benutzen
Placer l'écran de protection
Leverez la machine à vitesse, ne jetez pas la tresse
Evitez de bousculer les engins
Keep shield in place
Do not get into the strangle when the machine is running
Use a piece of wood for stirring in grain tank

10

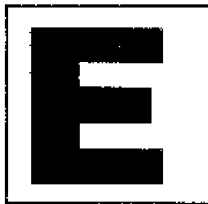
HUSK
HUOM

1. Fjern ikke beskyttelsesskærmene
2. Stik aldrig armene ned i kornstanken når maskinen arbejder
1. Avrmontera inte skyddet
2. Stick inte ner handen i spannmålstanken när tröskare är igång
1. Suojalaitetta ei saa poistaa
2. Koneen käytössä viljasäiliöön ei saa työntää kättä

12

ATENCIÓN
ΠΡΟΣΟΧΗ

1. No quitar la protección
2. NO meter la mano en el tanque de grano con la cosechadora en funcionamiento
1. Non togliere le protezioni
2. Non mettere le mani nel serbatoio del grano quando la macchina è in moto
1. Μην απομακρύνετε τη προστατευτική κάλυψη
2. Μην βάζετε το χέρι στο αμάκωρο των κόλληρες όταν λειτουργούν ή εργάζονται



14

HUSK
HUOM

Advarsel. Stik ikke hånden ind i renseåbningen når maskinen er igang.
Varning. För ej in handen i rensöppningen när maskinen är igång.
Varoitus. Älä vie kättä lohdistusaukkoon koneen käytössä.

17

HUSK
HUOM

Det er for Deres skyld skærmene er monteret-lad dem blive på plads.
Det er för er skull att skärmarna är monterade, låt dem stanna kvar.
Teidän vuoksi suojalaitteet on kiinnitetty. Jättäkää ne paikoilleen.

15

HUSK **HUOM**

Advarsel. Pas på de roterende knivar.
Varning för roterande knivar.
Varo työrivää tereää.

16

HUSK **HUOM**

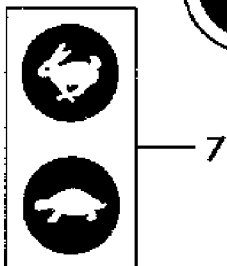
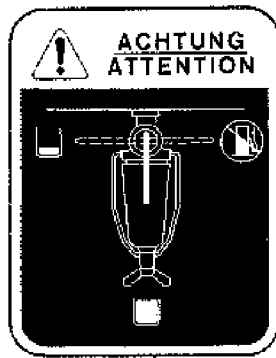
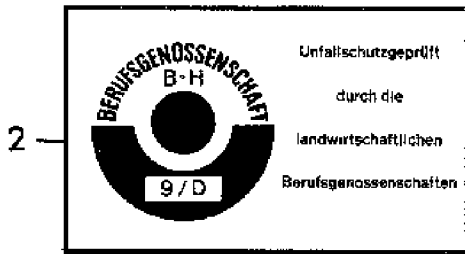
Hjulboltene spændes godt til
Häll hjulbultarna åtdragna till
Pyörien ruuvit kiristettävä hyvin
20 kpm 200 Nm

Z 63658

(2H20) DECALCOMANIAS
DECALCOMANIES
ABSCHIEBEBILDER
DECALCOMANIE
CALCOMANIAS
DECALER

KEY	PART NO.	PART NAME	QTY	SERIAL NO.	9 9 3 4 0 0	REMARKS
1	Z32367	DECAL	2		X	(SUB FOR Z31652)
2	Z32368	DECAL	2		X	(SUB FOR Z31653)
3	Z32366	DECAL	2		X X	
4	Z31048	DECAL	1		X X	
5	Z31046	DECAL	1		X X	
6	Z31045	DECAL	1		X X	
7	Z34656	DECAL	1		X X	(SUB FOR Z34107)
8	Z34655	DECAL	1		X X	(SUB FOR Z34109)
9	Z34654	DECAL	1		X X	(SUB FOR Z34108)
10	Z42137	DECAL	1		X X	(SUB FOR Z31954, Z33714)
11	Z31970	DECAL	1		X X	
12	Z31971	DECAL	1		X X	
13	Z33139	DECAL	2		X	
14	Z33119	DECAL	1		X X	
15	Z33120	DECAL	1		X X	
16	Z33121	DECAL	1		X X	
17	Z33123	DECAL	1		X X	

(2H24) DECALCOMANIAS
DECALCOMANIES
ABSCHIEBEBILDER
DECALCOMANIE
CALCOMANIAS
DECALER

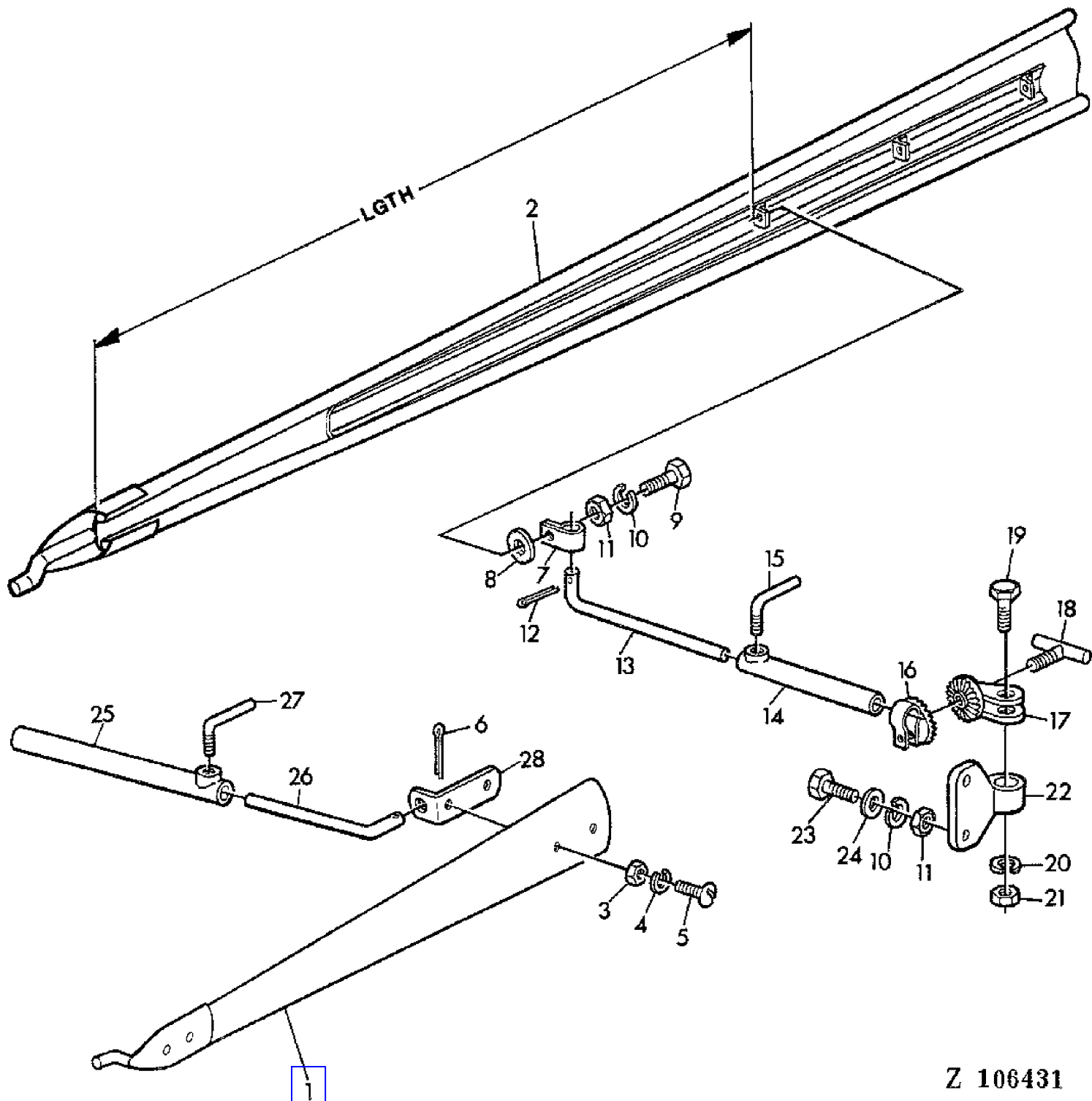


Z 14222

(2H24) DECALCOMANIAS
DECALCOMANIES
ABSCHIEBEBILDER
DECALCOMANIE
CALCOMANIAS
DECALER

KEY	PART NO.	PART NAME	QTY	SERIAL NO.	9 9 3 4 0 0	REMARKS
1	Z36399	DECAL	1		X X	AR
2	Z34463	SIGN	1	941031	X	
3	Z33257	DECAL	1		X X	
4	Z32708	DECAL	1		X X	
5	JD5238	SIGN	1		X X	REAR
	JD5299	DECAL	1		X X	FRONT
6	Z34812	DECAL	1		X X	
7	Z34811	DECAL	1		X X	
8	Z32828	DECAL	1		X X	(SUB FOR Z29963)
9	Z39150	DECAL	1		X X	(SUB FOR Z22161)

(1H04) DEFLECTOR, LONG AND SHORT
DEFLECTEUR LONG ET COURT
ABWEISER LANG UND KURZ
SPARTICAMPI LUNGO E CORTO
DEFLECTORES LARGO Y CORTO
STRASKILJARE LANG OCH KORT

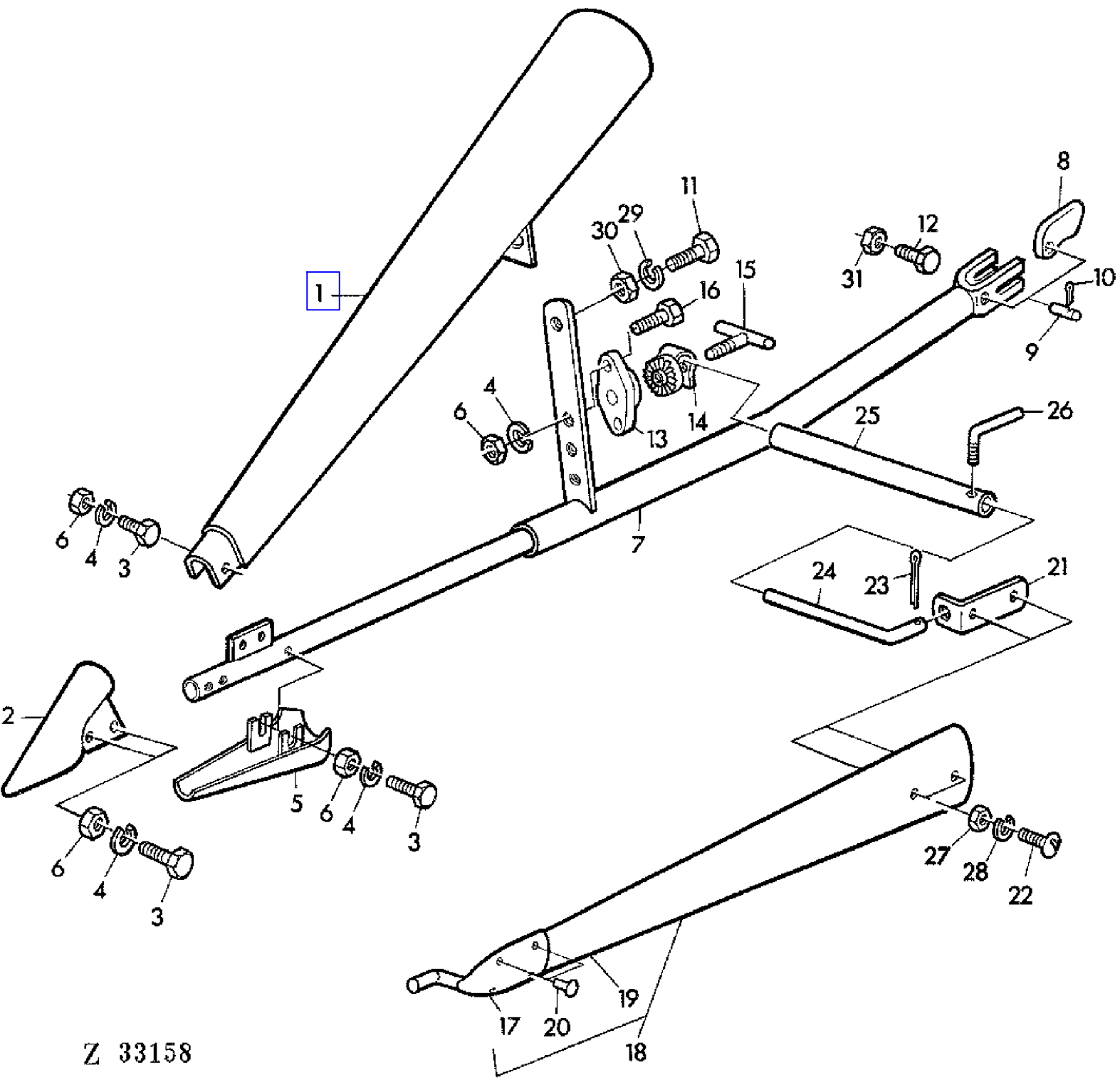


Z 106431

(1H04) DEFLECTOR, LONG AND SHORT
 DEFLECTEUR LONG ET COURT
 ABWEISER LANG UND KURZ
 SPARTICAMPI LUNGO E CORTO
 DEFLECTORES LARGO Y CORTO
 STRASKILJARE LANG OCH KORT

KEY	PART NO.	PART NAME	QTY	SERIAL NO.	9 9 3 4 0 0	REMARKS
1	AZ24458	DEFLECTOR	1		X	ASSY
2	AZ26955	DEFLECTOR	1		X	LGTH = 1845 MM (SUB FOR AZ24530)
	AZ26956	DEFLECTOR	1		X	LGTH = 2143 MM (SUB FOR AZ24531)
3	14M7027	NUT	4		X	M6
4	12M7012	LOCK WASHER	4		X	6 MM
5	21M7031	SCREW	4		X	M6 X 15
6	11M7020	COTTER PIN	2		X	4 X 25 MM
7	Z22324	CLAMP	1		X	
8	Z22325	WASHER	1		X	
9	19M7167	CAP SCREW	1		X	M10 X 25
10	12M7013	LOCK WASHER	3		X	10 MM
11	14M7140	NUT	3		X	M10
12	11M7020	COTTER PIN	1		X	4 X 25 MM
13	Z22323	ROD	1		X	
14	AZ12261	ADJUSTER	1		X	
15	Z21294	SET SCREW	1		X	
16	Z10174	ADJUSTER	1		X	
17	Z10173	ADJUSTER	1		X	
18	AZ14492	SET SCREW	1		X	
19	19M7390	CAP SCREW	1		X	M12 X 75
20	12M7014	LOCK WASHER	1		X	12 MM
21	14M7031	NUT	1		X	M12
22	Z10247	HOLDER	1		X	
23	19M7169	CAP SCREW	2		X	M10 X 35
24	24M7101	WASHER	2		X	11,5 MM
25	AZ10701	ADJUSTER	2		X	
26	Z21293	ROD	2		X	
27	Z21294	SET SCREW	2		X	
28	Z22258	ANGLE	2		X	

(1G24) DIVIDER WITH EXTENSION
DIVISEUR LONG
LANGER HALMTEILER
SPARTICAMPO LUNGO
DIVISOR LATERAL LARGO
STRASKILJARE MED FORLANGNING

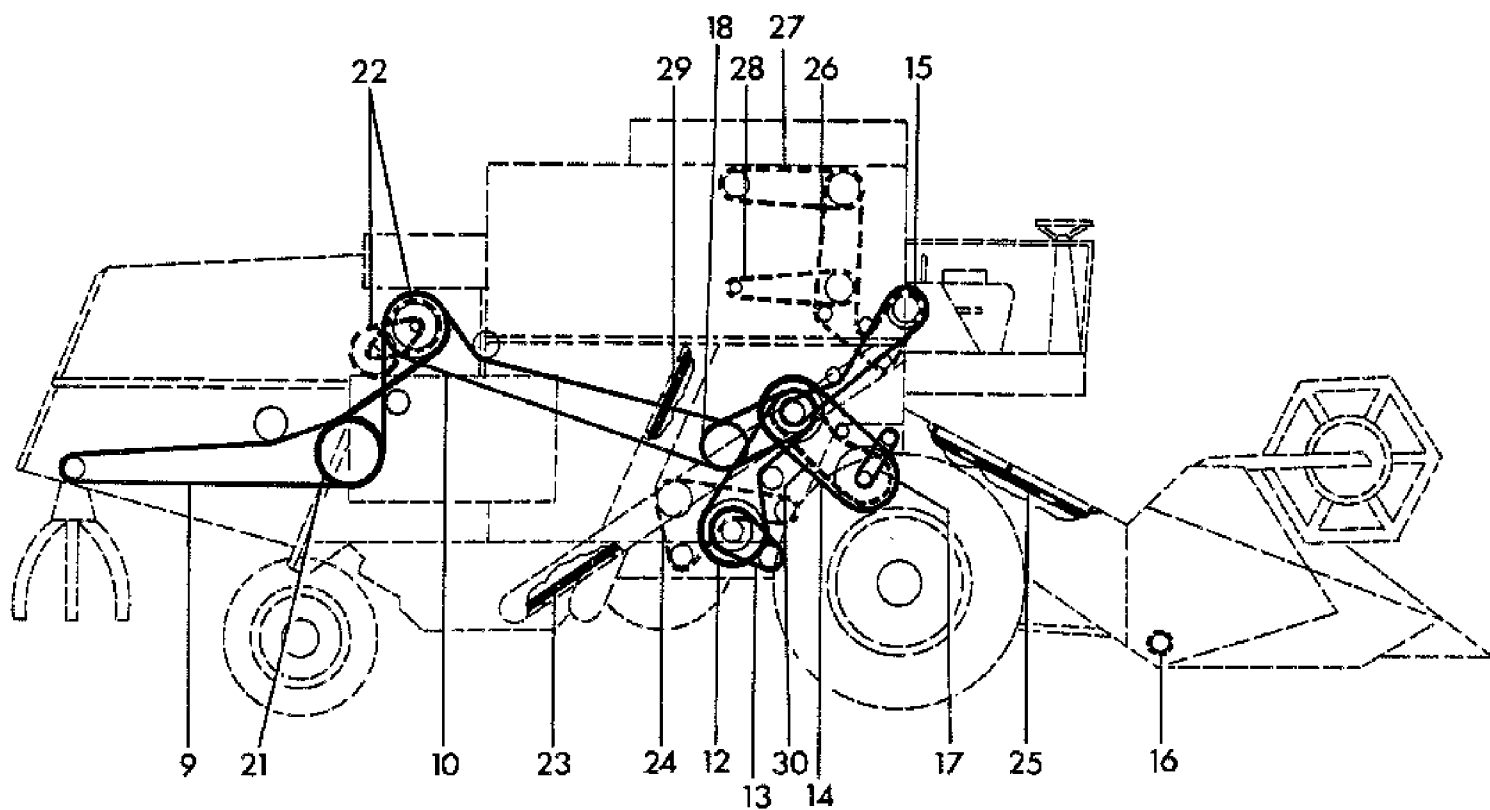
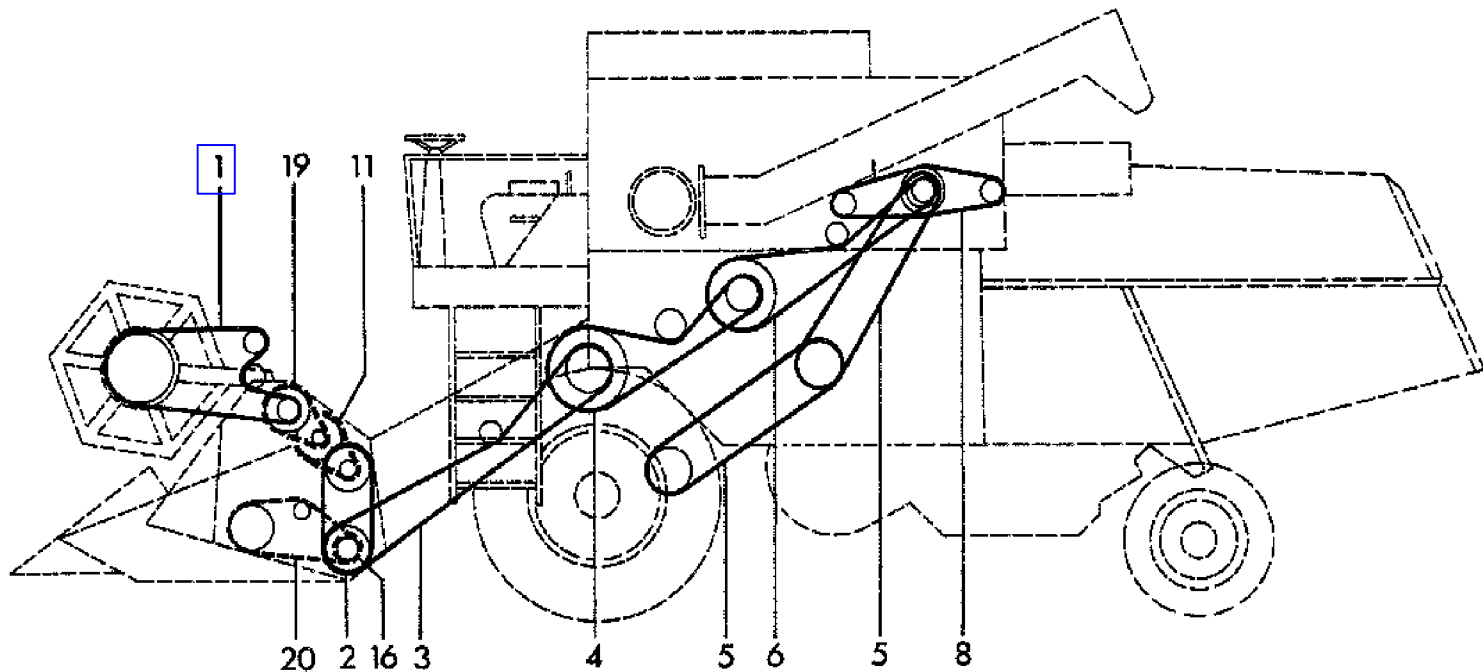


Z 33158

(1G24) DIVIDER WITH EXTENSION
 DIVISEUR LONG
 LANGER HALMTEILER
 SPARTICAMPO LUNGO
 DIVISOR LATERAL LARGO
 STRASKILJARE MED FORLANGNING

KEY	PART NO.	PART NAME	QTY	SERIAL NO.	9 9 3 4 0 0	REMARKS
1	AZ12301	DEFLECTOR	2		X	
2	AZ18018	GATHERER POINT	2		X	
3	19M7181	CAP SCREW	2		X	M10 X 55
4	12M7013	LOCK WASHER	10		X	10 MM
5	AZ15126	SKID PLATE	2		X	
6	14M7140	NUT	10		X	10MM
7	AZ18019	TUBE	2		X	
8	Z10429	STRAP	2		X	
9	Z26093	PIN	2		X	
10	11M7007	COTTER PIN	2		X	2 X 12 MM
11	19M7139	CAP SCREW	2		X	M8 X 20
12	19M7481	CAP SCREW	2		X	M16 X 80
13	Z10171	ADJUSTER	2		X	
14	Z10172	ADJUSTER	2		X	
15	AZ14492	SET SCREW	2		X	
16	19M7168	CAP SCREW	4		X	M10 X 30
17	AZ24459	HANGER	2		X	
18	AZ24458	DEFLECTOR	2		X	ASSY, INCL KEYS 17,19,20
19	Z21648	DEFLECTOR	2		X	
20	16M2602	RIVET	4		X	6 X 12 MM
21	Z22258	ANGLE	2		X	
22	21M7031	SCREW	4		X	M6 X 15
23	11M7020	COTTER PIN	2		X	4 X 25 MM
24	Z21293	ROD	2		X	
25	AZ10701	ADJUSTER	2		X	
26	Z21294	SET SCREW	2		X	
27	14M7027	NUT	4		X	M6
28	12M7012	LOCK WASHER	4		X	6 MM
29	12M7008	LOCK WASHER	2		X	8 MM
30	14M7029	NUT	2		X	M8
31	14M7170	LOCK NUT	2		X	M16

(2H18) DRIVE BELTS AND CHAINS
COURROIES ET CHAINES DE COMMANDE
ANTRIEBSRIEMEN UND KETTEN
CINGHIE E CATENE DI COMANDO
CORREAS Y CADENAS DE TRANSMISION
DRIVREMMAR OCH KEDJOR



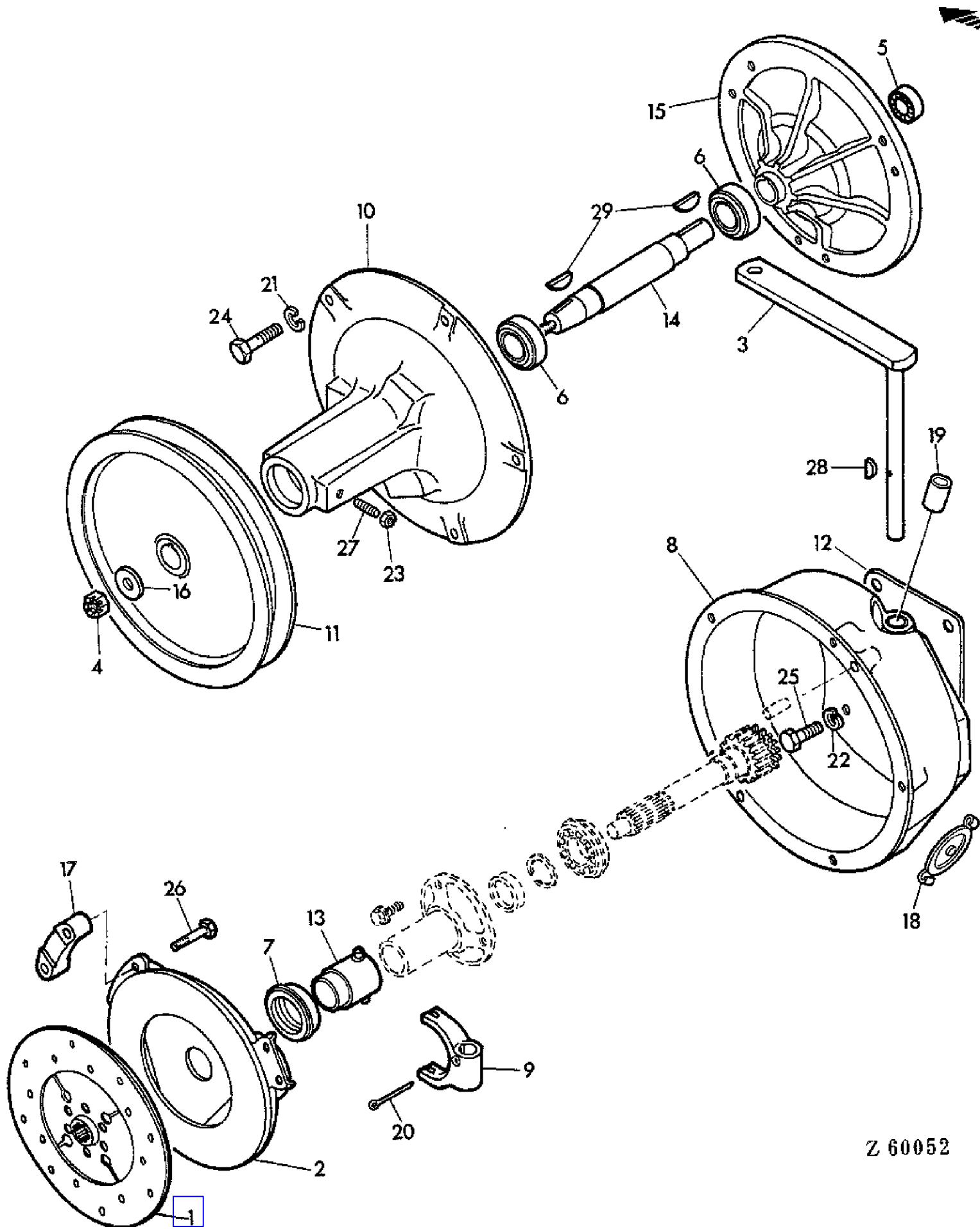
Z 106443

(2H18) DRIVE BELTS AND CHAINS
COURROIES ET CHAINES DE COMMANDE
ANTRIEBSRIEMEN UND KETTEN
CINGHIE E CATENE DI COMANDO
CORREAS Y CADENAS DE TRANSMISION
DRIVREMMAR OCH KEDJOR

KEY	PART NO.	PART NAME	QTY	SERIAL NO.	9 9 3 4 0 0	REMARKS
1	Z20562	BELT	1		X	
2	Z36813	BELT	1		X	(SUB FOR Z20459)
3	Z23693	BELT	1		X	
4	Z30130	BELT	1		X X	
	Z31816	BELT	1		X	
	Z21501	BELT	1		X X	
5	Z31367	BELT	2		X X	
6	Z31191	BELT	1		X X	
7	Z21400	BELT	1		X X	
8	Z30593	BELT	1		X X	
9	Z32041	BELT	1		X X	
	Z32158	BELT	1		X X	
10	Z25473	BELT	1	- 941310	X	
11	AZ10253	LINK CHAIN	1		X	L = 52
12	Z20703	BELT	1		X X	
13	Z20459	BELT	1		X X	
14	Z20823	BELT	1		X X	
15	Z20743	BELT	1		X X	
16	AN102383	LINK CHAIN	AR		X X	L = 13
17	Z31867	BELT	1		X X	
18	Z30920	BELT	1	- 941310	X	
19	AZ10252	LINK CHAIN	1		X	L = 64
20	AZ14750	LINK CHAIN	1		X	L = 98
21	Z32883	BELT	1	941311 -	X	
22	AZ19536	LINK CHAIN	2		X	L = 77
23	AZ22348	LINK CHAIN	1		X X	L = 158 (SUB FOR AZ10369)
24	AZ10279	LINK CHAIN	1		X X	L = 122
25	AZ10331	GATHERER CHAIN	1		X	(A) L = 71
	AZ26267	LINK CHAIN	1		X X	L = 85 (SUB FOR AZ24732)
	AZ24732	SLAT	1		X X	L = 86 (ORD AZ26267)
26	AZ10365	LINK CHAIN	1		X X	
27	AZ32090	ROLLER CHAIN	1		X X	L = 34 (SUB FOR AZ10366)
28	AZ10591	LINK CHAIN	1		X X	L = 117
29	AZ10359	GATHERER CHAIN	1		X X	L = 151
30	AZ18000	LINK CHAIN	1		X X	L = 105

(A) CUTTING PLATFORM WITH INTEGRATED FEEDER HOUSE
SUR PLATE-FORME DE COUPE AVEC CONVOYEUR INTEGRE
BEI SCHNEIDWERK MIT ANGEBAUTEM SCHRAEGFOERDERER
CON PIATTAFORMA DI TAGLIO CON CONVOGLIATORE INTEGRATO
EN PLATAFORMA DE CORTE CON ELEVADOR DE MIES INTEGRADO
VID SKARBORD MED INTEGRERAT INMATNINGSHUS

(1B09) DRIVE SHEAVE, CLUTCH
POULIE DE COMMANDE DE L'EMBRAYAGE
ANTRIEBSSCHEIBE, KUPPLUNG
PULEGGIA DI TRASMISSIONE, FRIZIONE
DISCO DE TRACCION PARA EMBRAGUE
REMSKIVA, KOPPLING

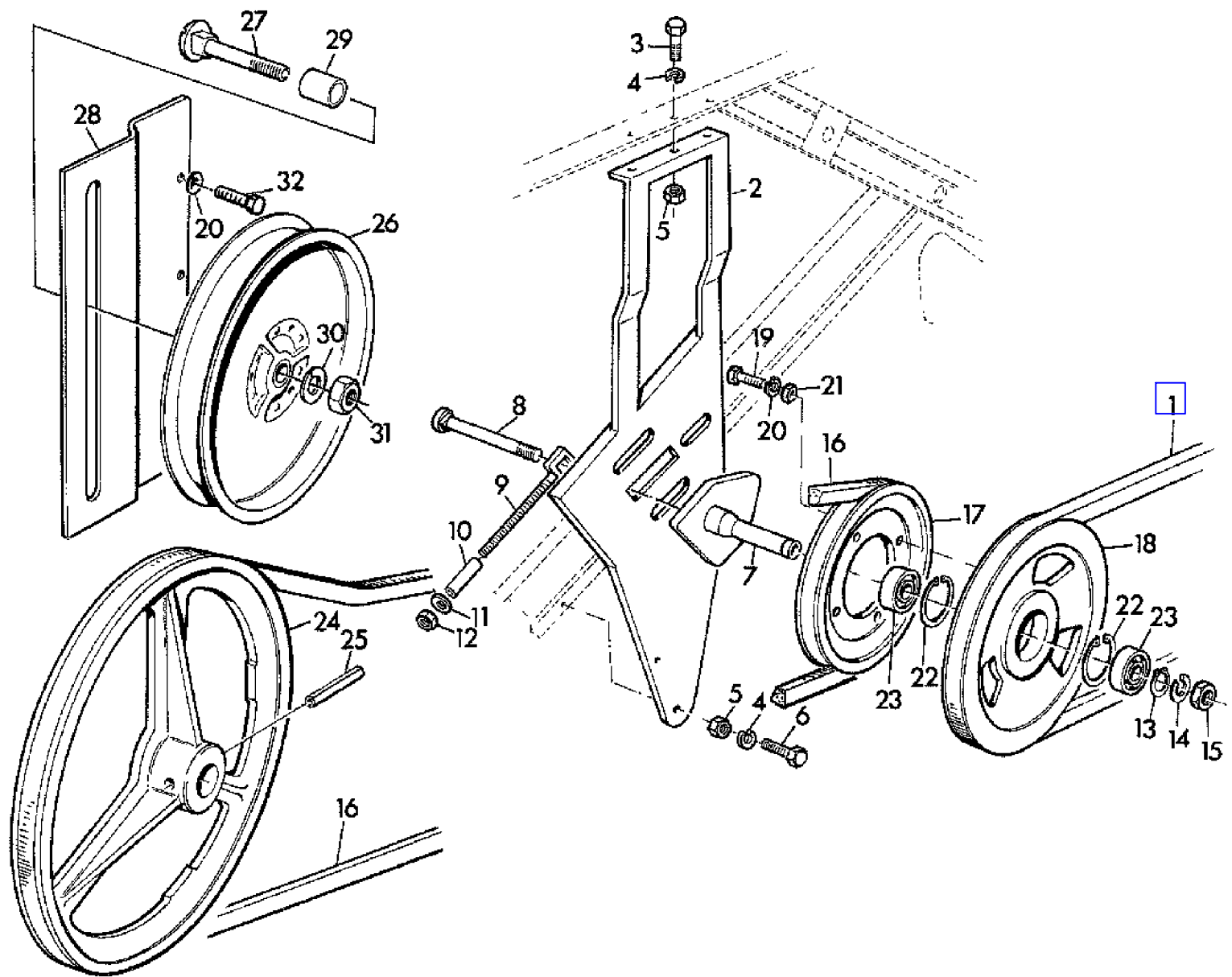


Z 60052

(1B09) DRIVE SHEAVE, CLUTCH
POULIE DE COMMANDE DE L'EMBRAYAGE
ANTRIEBSSCHEIBE, KUPPLUNG
PULEGGIA DI TRASMISSIONE,FRIZIONE
DISCO DE TRACCION PARA EMBRAGUE
REMSKIVA,KOPPLING

KEY	PART NO.	PART NAME	QTY	SERIAL NO.	9 9 3 4 0 0	REMARKS
1	AZ25131	CLUTCH DISK	1		XX	(SUB FOR AH64100)
2	AH65440	CLUTCH PLATE	1		XX	
3	AZ17869	SHAFT	1		XX	
4	CM10111	LOCK NUT	1		XX	(SUB FOR JD9301)
5	JD8542	BALL BEARING	1		XX	
6	JD10089	BALL BEARING	2		XX	
7	JD39117	THROW-OUT BEARING	1		XX	
8	Z10343	CASE	1		XX	
9	Z10344	FORK	1		XX	
10	Z10345	CASE	1		XX	(SUB FOR Z10783)
11	Z11075	SHEAVE	1		XX	
12	Z24569	GASKET	1		XX	
13	Z24595	HUB	1		XX	
14	Z24597	SHAFT	1		X	
	Z24597	SHAFT	1	- 941030	X	
15	Z32704	SHAFT	1	941031	-	X
16	H10032	WHEEL	1			XX
	H20895	WASHER	1			XX
17	H64056	SPACER	3			XX
18	AL24554	PLUG	1			XX
19	P47216	BUSHING	2			XX (SUB FOR T22569)
20	11H102	COTTER PIN	1			XX 7/32" X 1-3/4"
21	12H11	LOCK WASHER	5			XX 3/8"
22	12H13	LOCK WASHER	4			XX 1/2"
23	14H338	NUT	2			XX 1/4"
24	19H988	CAP SCREW	5			XX 3/8" X 2-1/4"
25	19H1131	CAP SCREW	4			XX 1/2" X 1-1/4"
26	19H1286	CAP SCREW	6			XX 5/16" X 2"
27	22H902	SET SCREW	2			XX 1/4" X 1"
28	26H20	SHAFT KEY	1			XX 3/16" X 1"
29	26H41	SHAFT KEY	2			XX 5/16" X 2-1/8"

(2C21) DRIVE, CROSS-SHAKER
ENTRAINEMENT, AGITATEUR TRANSVERSAL
ANTRIEB FUER QUERSCHUETTLER
COMANDO, AGITATORE
ACCIONAMIENTO DEL SACUDIDOR TRANSVERSAL
TVAERSKAKAREDRIV

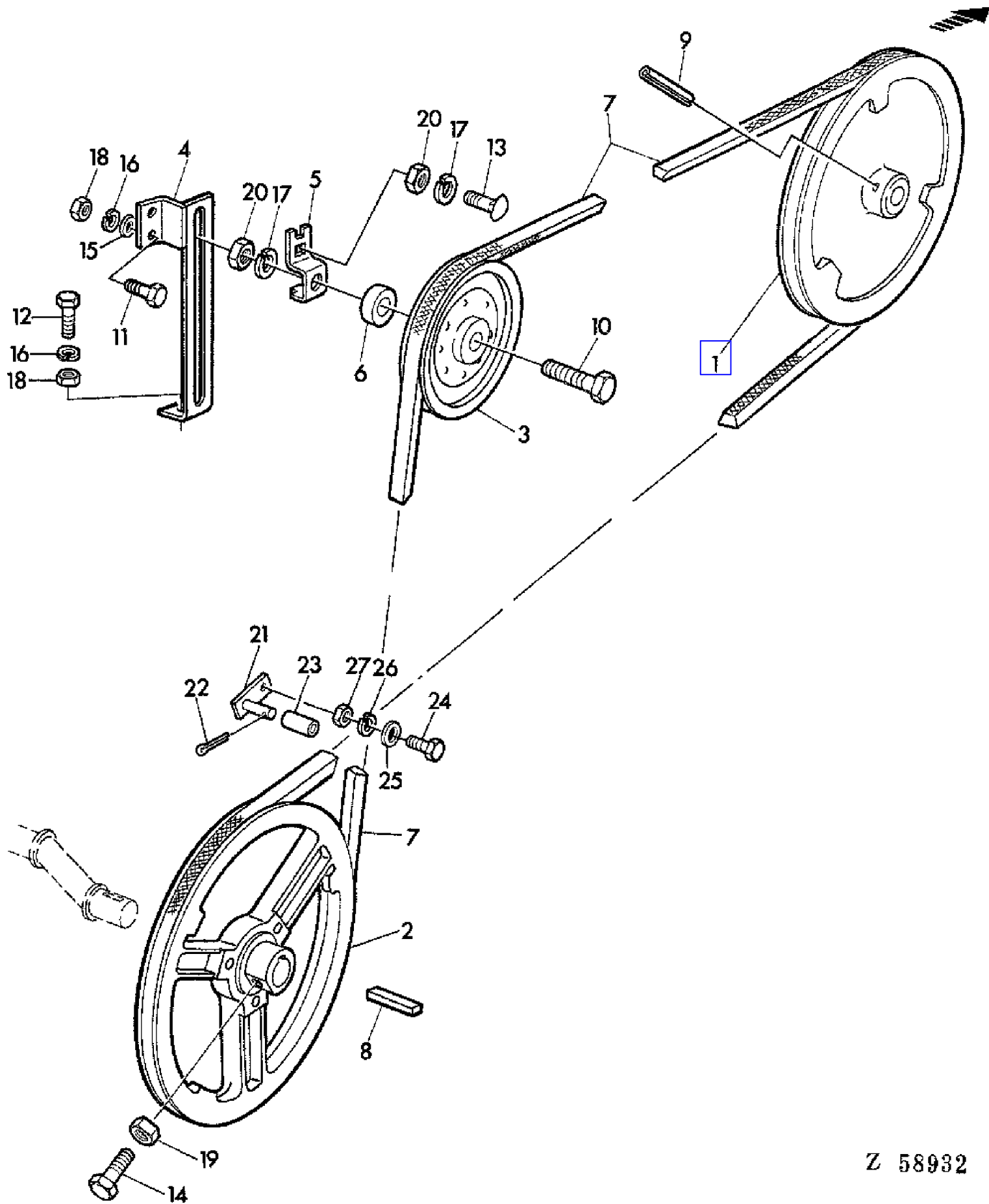


Z 58931

(2C21) DRIVE, CROSS-SHAKER
ENTRAINEMENT, AGITATEUR TRANSVERSAL
ANTRIEB FUER QUERSCHUETTLER
COMANDO, AGITATORE
ACCIONAMIENTO DEL SACUDIDOR TRANSVERSAL
TVAERSKAKAREDRIV

KEY	PART NO.	PART NAME	QTY	SERIAL NO.	99 34 00	REMARKS
1	Z25473	BELT	1	- 941310	X	
2	Z10233	TIGHTENER	1	- 941310	X	
3	19M7168	CAP SCREW	3		X	M10 X 30
4	12M7013	LOCK WASHER	4		X	10 MM
5	14M7140	NUT	4		X	M10
6	19M7183	CAP SCREW	1		X	M10 X 40
7	Z10232	SHAFT	1	- 941310	X	
8	Z25521	BOLT	1	- 941310	X	
9	AZ12117	EYEBOLT	1	- 941310	X	
10	Z23543	SLEEVE	1	- 941310	X	
11	24M7040	WASHER	1		X	11 MM
12	14M7167	LOCK NUT	1		X	M10
13	40M1831	SNAP RING	1		X	30 X 1,5 MM
14	24M7049	WASHER	1		X	18 MM
15	14M7170	LOCK NUT	1		X	M16
16	Z30920	BELT	1	- 941310	X	
17	Z10759	IDLER	1	- 941310	X	
18	Z10229	PULLEY	1	- 941310	X	
19	19M7163	CAP SCREW	4		X	M8 X 25
20	12M7008	LOCK WASHER	4		X	8 MM
21	14M7029	NUT	4		X	M8
22	40M1868	SNAP RING	2		X	62 X 2 MM
23	JD30213	BALL BEARING	2	- 941310	X	
24	Z10753	PULLEY	1	- 941310	X	
25	34M7049	SPRING PIN	1		X	8 X 50 MM
26	AN30569	IDLER	1	- 941310	X	
27	03M7078	BOLT	1		X	M16 X 75
28	Z30930	TIGHTENER	1	- 941310	X	
29	Z22659	SPACER	1	- 941310	X	
30	12M7017	LOCK WASHER	1		X	16 MM
31	14M7142	NUT	1		X	M16
32	19M7376	CAP SCREW	3		X	M8 X 22

(2C23) DRIVE, CROSS-SHAKER
ENTRAINEMENT AGITATEUR TRANSVERSAL
ANTRIEB FUER QUERSCHUETTLER
COMANDO, AGITATORE
ACCIONAMIENTO DEL SACUDIDOR TRANSVERSAL
TVAERSKAKAREDRIV

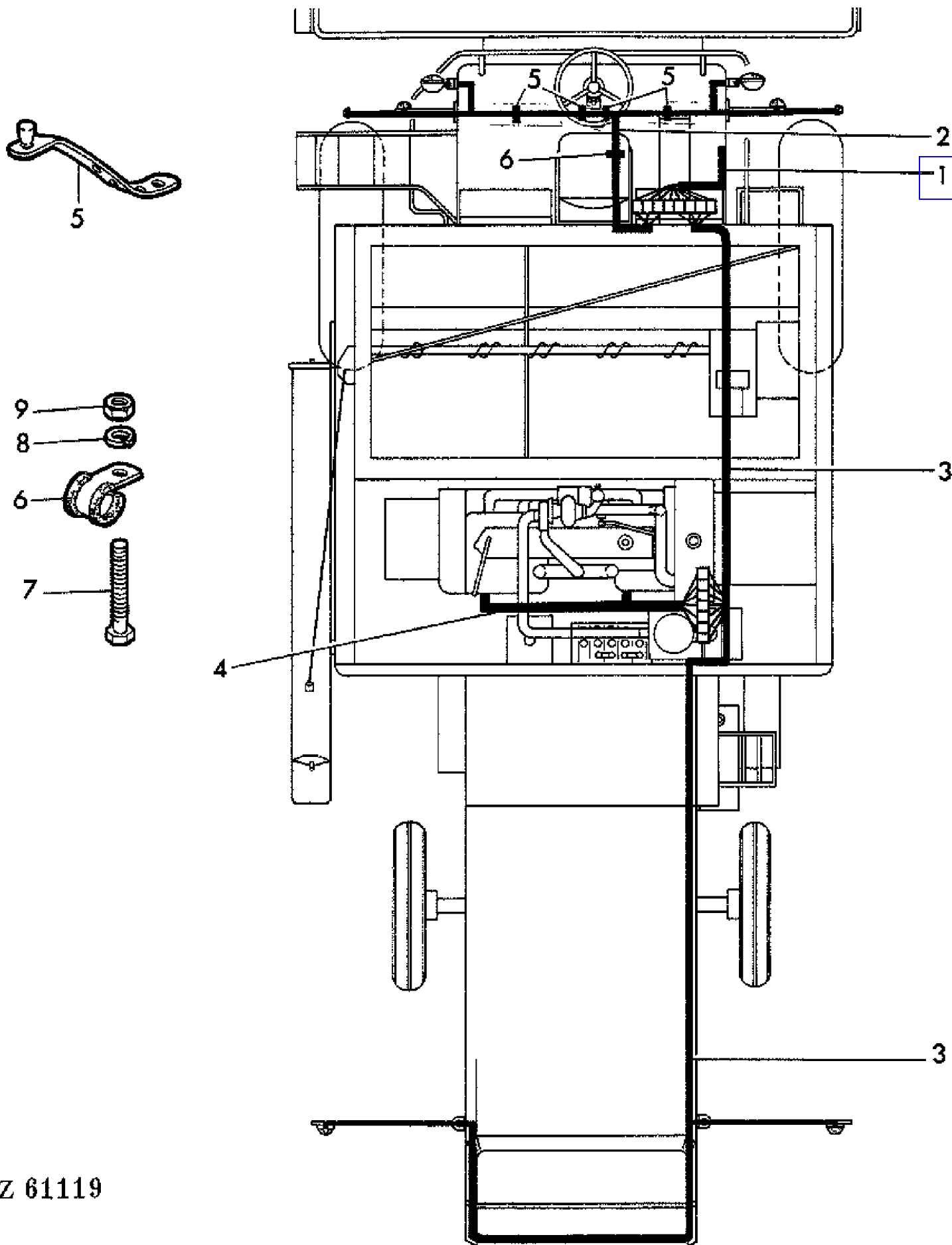


Z 58932

(2C23) DRIVE, CROSS-SHAKER
ENTRAINEMENT AGITATEUR TRANSVERSAL
ANTRIEB FUER QUERSCHUETTLER
COMANDO, AGITATORE
ACCIONAMIENTO DEL SACUDIDOR TRANSVERSAL
TVAERSKAKAREDRIV

KEY	PART NO.	PART NAME	QTY	SERIAL NO.		9 9 3 4 0 0	REMARKS
1	Z10865	PULLEY	1	941311	-	X	
2	Z10867	PULLEY	1	941311	-	X	
3	AZ24263	IDLER	1	941311	-	X	(SUB FOR AZ21864)
4	AZ21863	TIGHTENER	1	941311	-	X	
5	Z32881	HOLDER	1	941311	-	X	
6	Z32882	SPACER	1	941311	-	X	
7	Z32883	BELT	1	941311	-	X	
8	49M4111	SHAFT KEY	1			X	8 X 7 X 40 MM
9	34M7049	SPRING PIN	1			X	8 X 50 MM
10	19M7182	CAP SCREW	1			X	M12 X 50
11	19M7376	CAP SCREW	2			X	M8 X 22
12	19M7163	CAP SCREW	1			X	M8 X 25
13	03M7107	BOLT	1			X	M12 X 25
14	Z32433	SET SCREW	2			X	10 X 30 MM
15	24M7036	WASHER	2			X	9 MM
16	12M7008	LOCK WASHER	3			X	8 MM
17	12M7014	LOCK WASHER	2			X	12 MM
18	14M7029	NUT	3			X	M8
19	14M7152	NUT	1			X	M10
20	14M7031	NUT	2			X	M12
21	AZ23913	RETAINER	1	941311	-	X	
22	11M7009	COTTER PIN	1			X	2 X 18 MM
23	Z34900	BUSHING	1	941311	-	X	
24	19M7375	CAP SCREW	1			X	M6 X 18
25	24M7100	WASHER	1			X	7 MM
26	12M7012	LOCK WASHER	1			X	6 MM
27	14M7027	NUT	1			X	M6

(1D11) ELECTRIC EQUIPMENT
EQUIPEMENT ELECTRIQUE
ELEKTRISCHE AUSRUESTUNG
APPARECCHIATURA ELETTRICA
EQUIPO ELECTRICO
ELEKTRISK UTRUSTNING

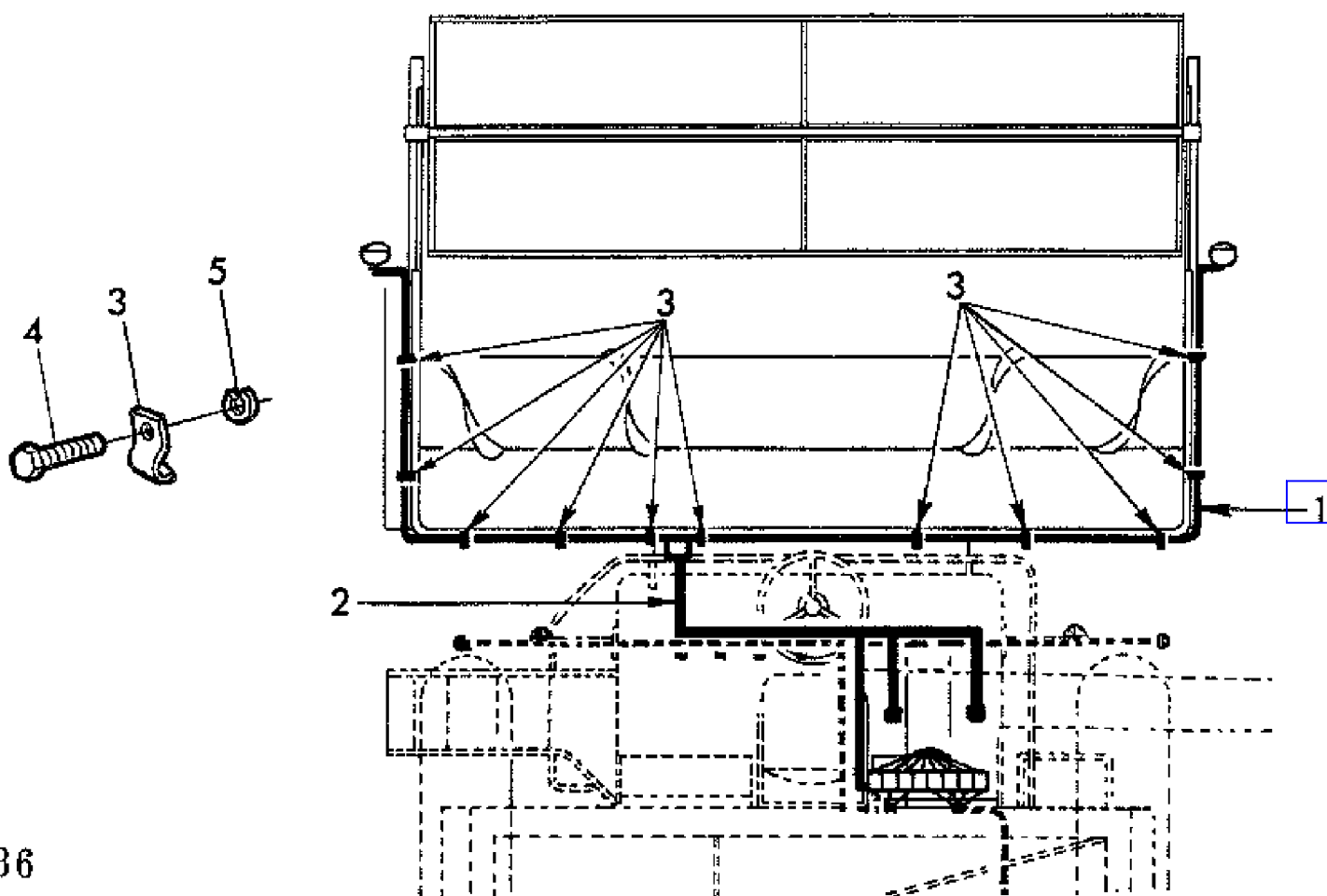


Z 61119

(1D11) ELECTRIC EQUIPMENT
EQUIPEMENT ELECTRIQUE
ELEKTRISCHE AUSRUESTUNG
APPARECCHIATURA ELETTRICA
EQUIPO ELECTRICO
ELEKTRISK UTRUSTNING

KEY	PART NO.	PART NAME	QTY	SERIAL NO.	9 9 3 4 0 0	REMARKS
1	AZ18769	WIRING HARNESS	1		XX	
2	AZ18768	WIRING HARNESS	1		XX	
3	AZ19259	WIRING HARNESS	1		X	
	AZ19258	WIRING HARNESS	1		X	
4	AZ16972	WIRING HARNESS	1		XX	
5	Z31020	CLAMP	4		XX	
6	Z28191	CLAMP	1		XX	
7	19M7288	CAP SCREW	1		XX	M8 X 30
8	12M7008	LOCK WASHER	1		XX	8 MM
9	14M7029	NUT	1		XX	M8

(1D12) ELECTRIC EQUIPMENT
EQUIPEMENT ELECTRIQUE
ELEKTRISCHE AUSRÜSTUNG
APPARECCHIATURA ELETTRICA
EQUIPO ELECTRICO
ELEKTRISK UTRUSTNING



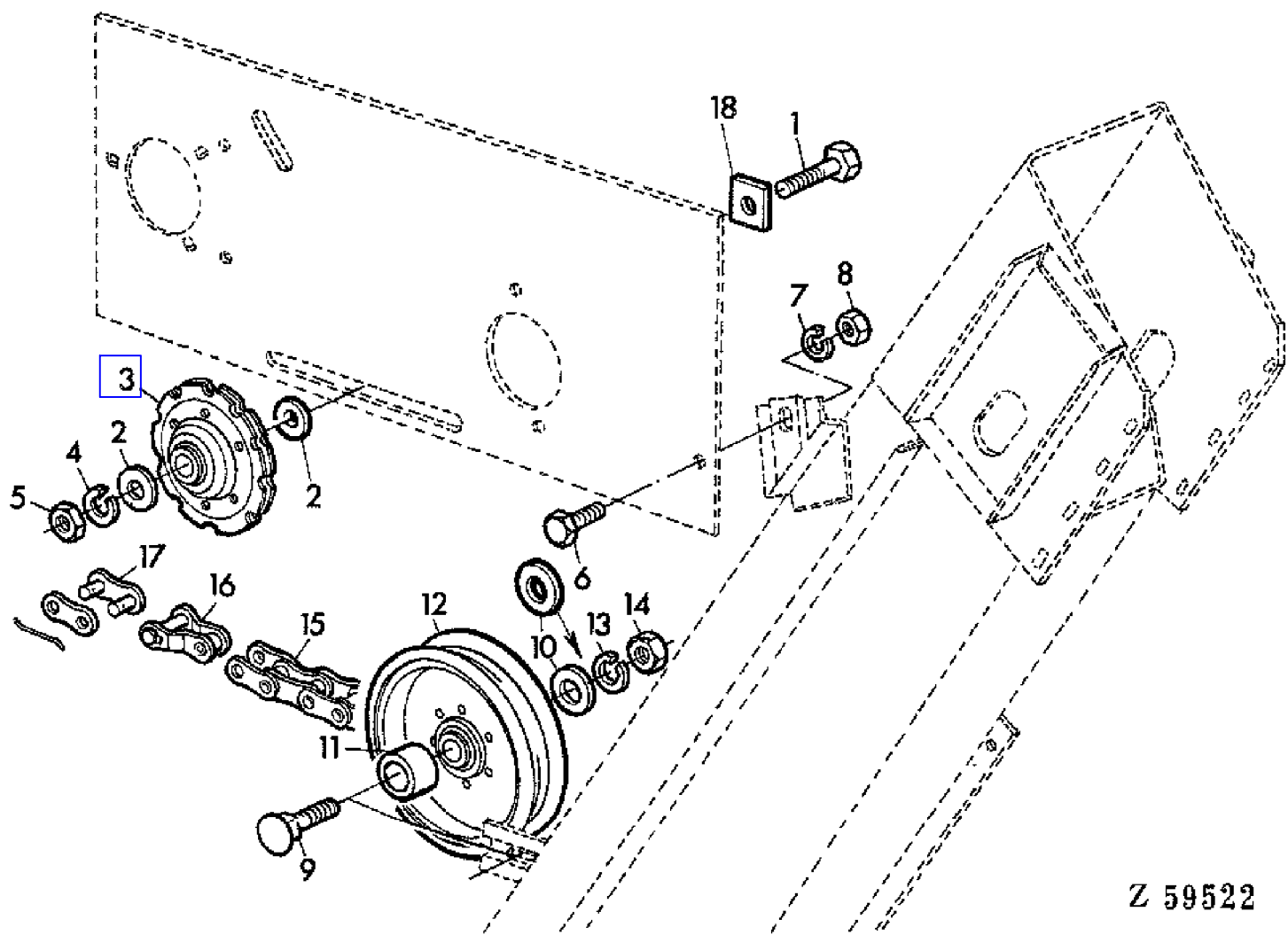
Z 61436

(1D12) ELECTRIC EQUIPMENT
EQUIPEMENT ELECTRIQUE
ELEKTRISCHE AUSRUESTUNG
APPARECCHIATURA ELETTRICA
EQUIPO ELECTRICO
ELEKTRISK UTRUSTNING

KEY	PART NO.	PART NAME	QTY	SERIAL NO.	9 9 3 4 0 0	REMARKS
1	AZ21210	WIRING HARNESS	1		XX	
2	AZ21209	CABLE	1		XX	
3	Z22588	CLAMP	10		XX	
4	19M7159	CAP SCREW	6		XX	M6 X 15
5	12M7012	LOCK WASHER	6		XX	6 MM

(2E14) ELEVATOR DRIVE ADJUSTER

TENDEUR DE L'ENTRAINEMENT DE L'ELEVATEUR
SPANNVORRICHTUNG DES ELEVATORANTRIEBES
DISPOSITIVO TENDITORE DEL COMANDO DELL'ELEVATORE
DISPOSITIVO DE AJUSTE DEL ACCIONAMIENTO DEL ELEVADOR
SPAENNANORDNING FOER ELEVATOR



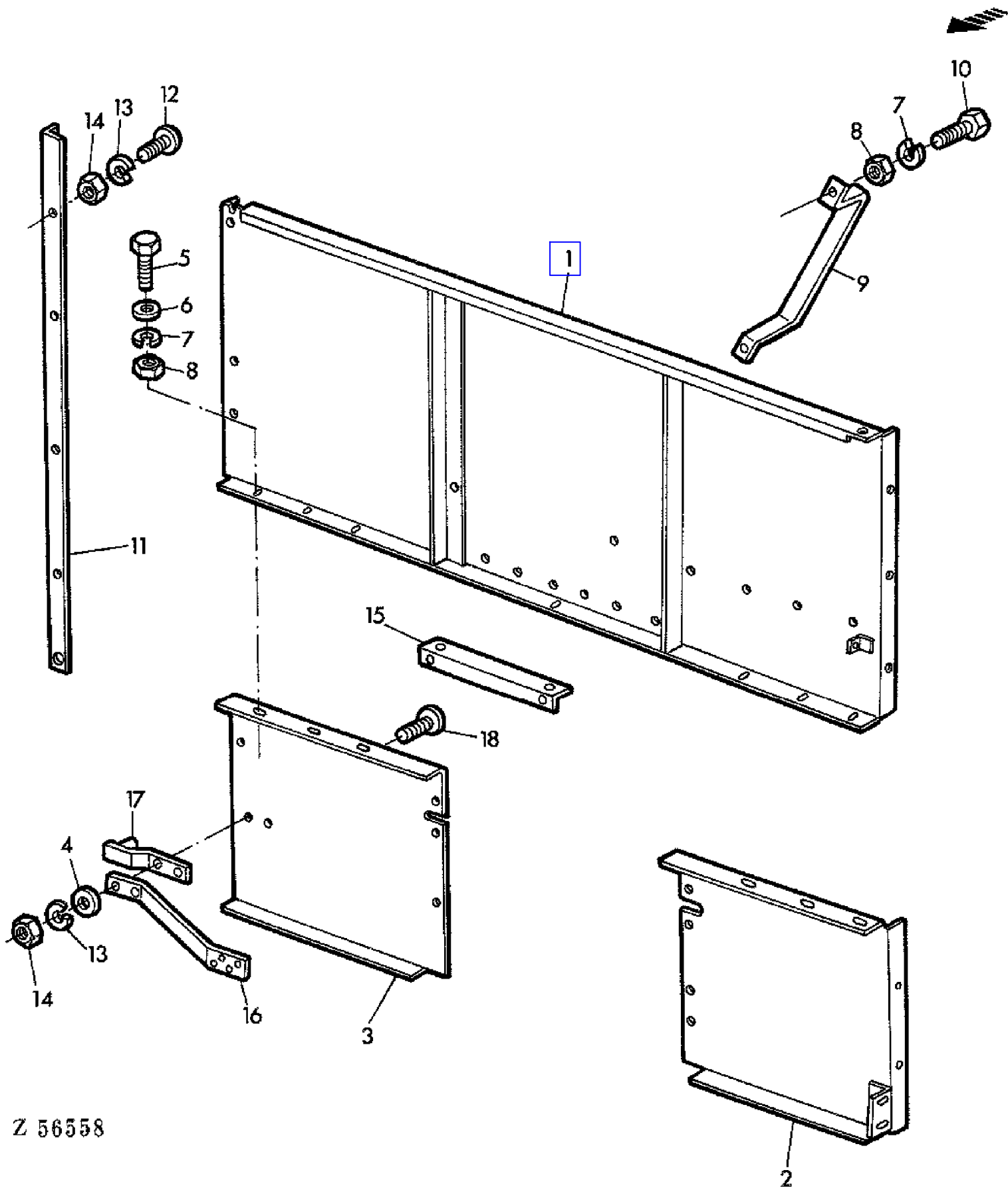
Z 59522

(2E14) ELEVATOR DRIVE ADJUSTER

TENDEUR DE L'ENTRAINEMENT DE L'ELEVATEUR
 SPANNVORRICHTUNG DES ELEVATORANTRIEBES
 DISPOSITIVO TENDITORE DEL COMANDO DELL'ELEVATORE
 DISPOSITIVO DE AJUSTE DEL ACCIONAMIENTO DEL ELEVADOR
 SPAENNANORDNING FOER ELEVATOR

KEY	PART NO.	PART NAME	QTY	SERIAL NO.	9 9 3 4 0 0	REMARKS
1	19M7330	CAP SCREW	1		X X	M12 X 55
2	24M7038	WASHER	2		X X	14 MM
3	AH15303	CHAIN SPROCKET	1		X X	
4	12M7014	LOCK WASHER	1		X X	12 MM
5	14M7031	NUT	1		X X	M12
6	19M7167	CAP SCREW	1		X X	M10 X 35
7	12M7013	LOCK WASHER	1		X X	10 MM
8	14M7140	NUT	1		X X	M10
9	03M7080	BOLT	1		X X	M16 X 70
10	24M7113	WASHER	2		X X	17 MM
11	Z29422	SPACER	1		X X	
12	AP24917	IDLER	1		X X	
13	12M7017	LOCK WASHER	1		X X	16 MM
14	14M7142	NUT	1		X X	M16
15	AZ10365	LINK CHAIN	1		X X	L = 130
16	AL15953	LINK	1		X X	
17	AL15954	LINK	1		X X	
18	Z32642	PLATE	1		X X	

(2G17) ENGINE REAR PANEL
TOLE ARRIERE MOTEUR
HINTERE MOTORVERKLEIDUNG
PROTEZIONE POSTERIORE DEL MOTORE
PANEL TRASERO DEL MOTOR
BAKRE MOTORHUV

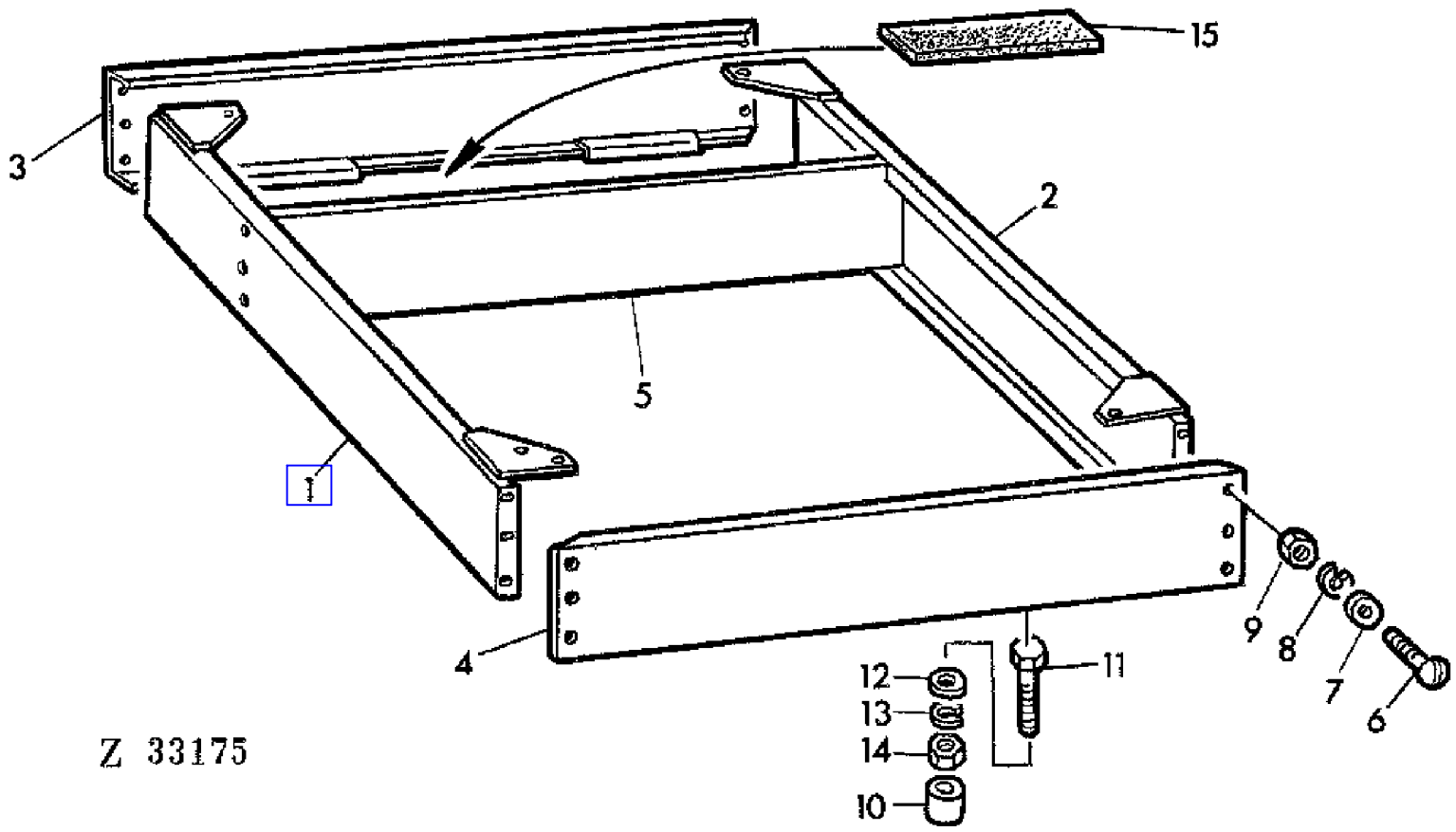


Z 56558

(2G17) ENGINE REAR PANEL
 TOLE ARRIERE MOTEUR
 HINTERE MOTORVERKLEIDUNG
 PROTEZIONE POSTERIORE DEL MOTORE
 PANEL TRASERO DEL MOTOR
 BAKRE MOTORHUV

KEY	PART NO.	PART NAME	QTY	SERIAL NO.	9 9 3 4 0 0	REMARKS
1	AZ19778	SHIELD	1		X	
	Z31151	SHIELD	1		X	
2	AZ19776	SHIELD	1		X	
	AZ19777	SHIELD	1		X	
3	Z31147	SHIELD	1		X	
	Z31150	SHIELD	1		X	
4	Z26250	WASHER	2		X X	6,5 MM
5	19M7162	CAP SCREW	12		X X	M8 X 15
6	24M7036	WASHER	14		X X	9,5 MM
7	12M7008	LOCK WASHER	18		X X	8 MM
8	14M7029	NUT	18		X X	M8
9	Z31638	BAIL	1		X	
10	19M7284	CAP SCREW	2		X X	M8 X 18
11	Z31569	ANGLE	1		X X	
12	21M7087	SCREW	4		X X	M6 X 12
13	12M7012	LOCK WASHER	8		X X	6 MM
14	14M7027	NUT	6		X X	M6
15	AZ21817	ANGLE	1		X	(SUB FOR Z31106)
16	Z31570	HOLDER	1		X X	
17	AZ20257	HOLDER	1		X X	
18	21M7085	SCREW	2		X X	M6 X 20

(2E20) EXTENSION FOR GRAIN TANK
RESERVOIR COMPLEMENTAIRE POUR RESERVOIR A GRAINS
KORNTANKAUFSATZ
PROLUNGA DEL SERBATOIO DEL GRANO
AMPLIACION DEL TANQUE DE GRANO
SADESTANKSFORHOJNING

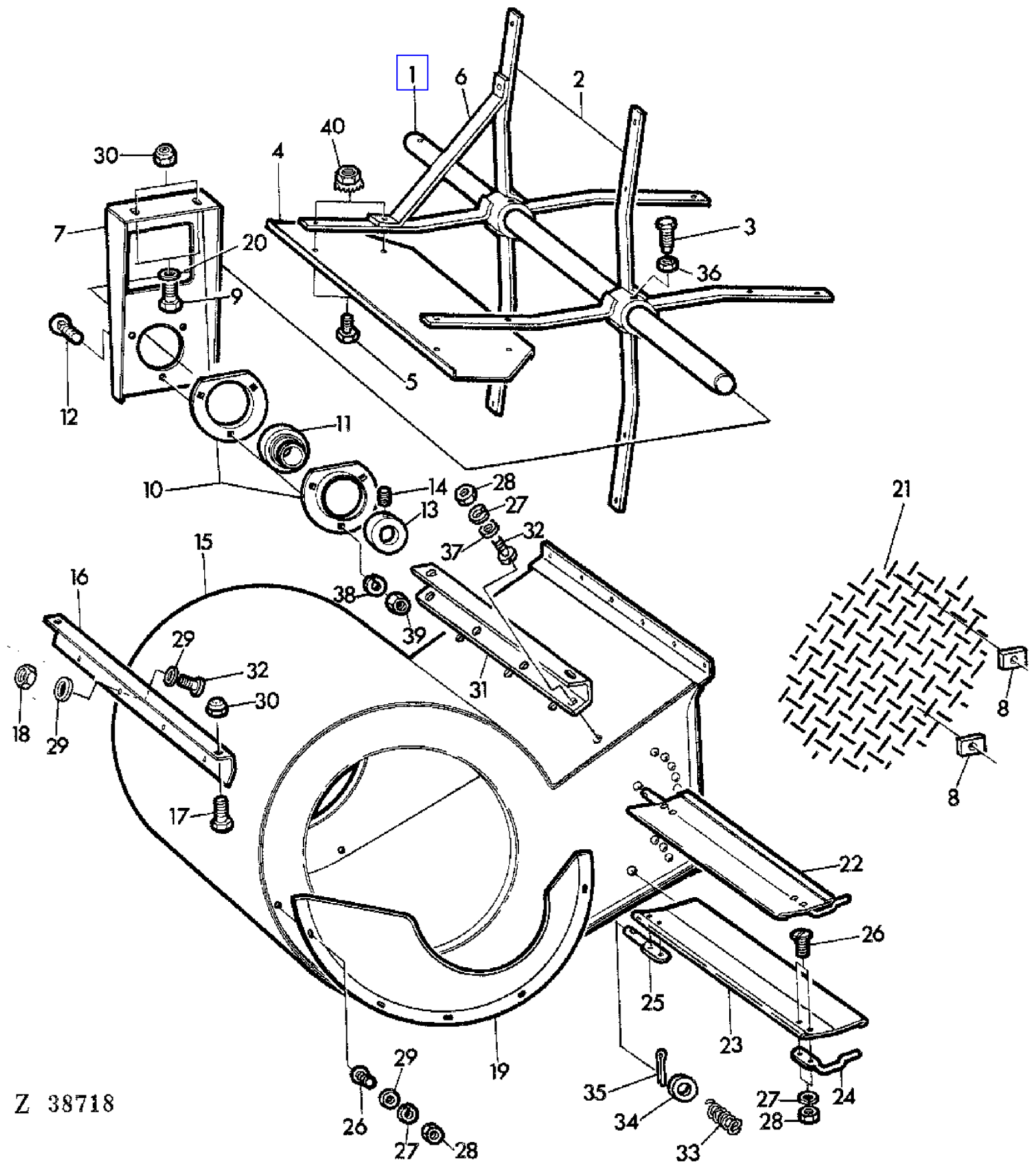


Z 33175

(2E20) EXTENSION FOR GRAIN TANK
 RESERVOIR COMPLEMENTAIRE POUR RESERVOIR A GRAINS
 KORNTANKAUFSATZ
 PROLONGA DEL SERBATOIO DEL GRANO
 AMPLIACION DEL TANQUE DE GRANO
 SADESTANKSFORHOJNING

KEY	PART NO.	PART NAME	QTY	SERIAL NO.	9 9 3 4 0 0	REMARKS
1	AZ14906	EXTENSION	1		X X	FRONT
2	AZ14905	EXTENSION	1		X X	REAR
3	AZ14908	SIDE WALL	1		X X	RH
4	AZ28683	SIDE WALL	1		X X	LH (SUB FOR AZ14907)
5	Z25913	PARTITION	1		X X	
6	21M7087	SCREW	28		X X	M6 X 12
7	24M7088	WASHER	28		X X	6,6 MM
8	12M7012	LOCK WASHER	28		X X	6 MM
9	14M7027	NUT	28		X X	M6
10	Z25919	BUSHING	2		X X	
11	19M7269	CAP SCREW	2		X X	M8 X 50
12	24M7036	WASHER	2		X X	9 MM
13	12M7008	LOCK WASHER	2		X X	8 MM
14	14M7029	NUT	2		X X	M8
15	Z20768	GASKET	1		X X	

(2D03) FAN HAUSING WITH SHAFT AND DEFLECTORS
CARTER DE VENTILATEUR AVEC ARBRE ET DEFLECTEURS
GEBLAESEGEHAEUSE MIT WELLE UND LEITBLECHEN
CARTER DEL VENTILADOR CON EJE Y DEFTLECTORES
FLAEKTHNS MED AXEL OCH SKYDD

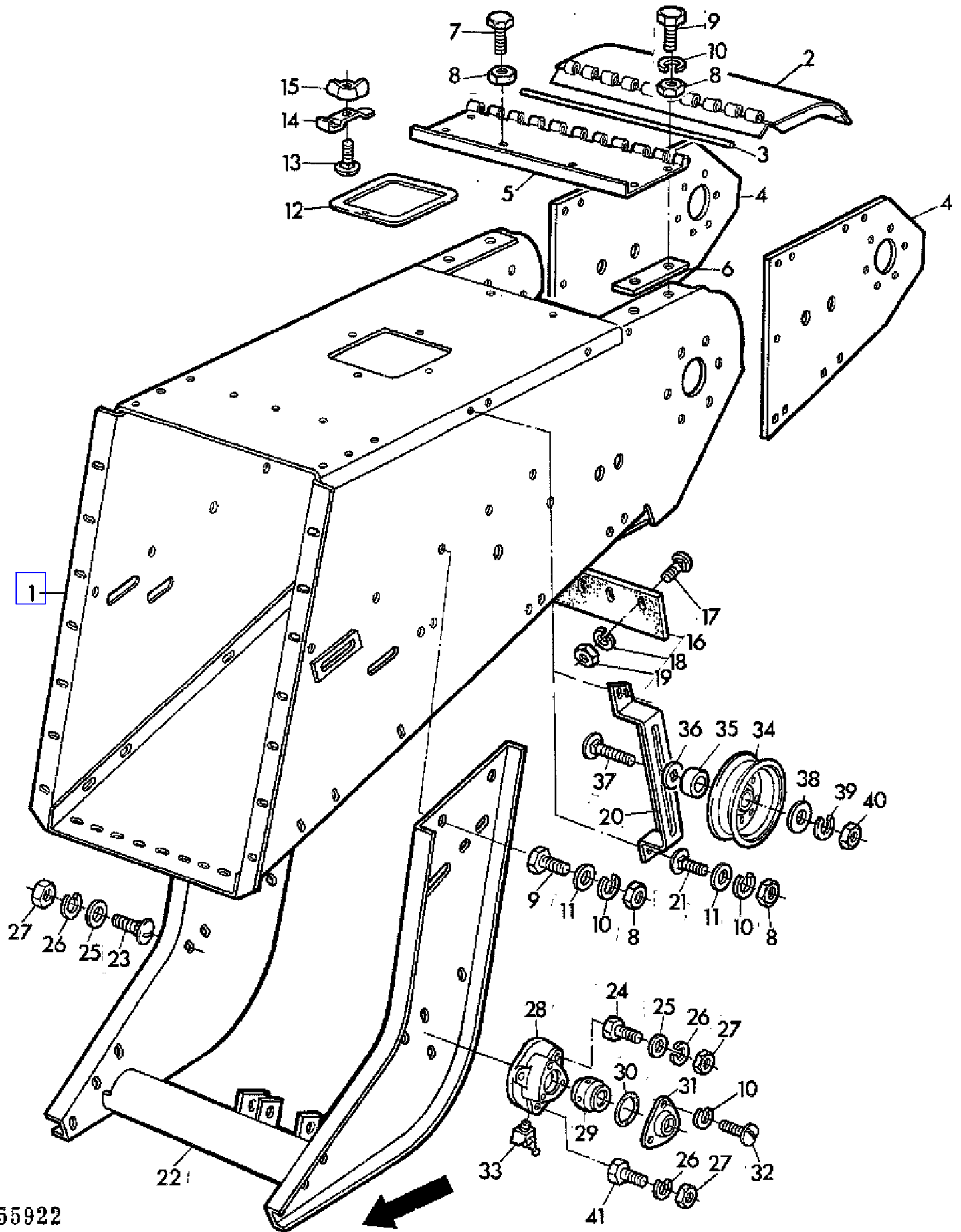


Z 38718

(2D03) FAN HAUSING WITH SHAFT AND DEFLECTORS
 CARTER DE VENTILATEUR AVEC ARBRE ET DEFLECTEURS
 GEBLAESEGEHAEUSE MIT WELLE UND LEITBLECHEN
 CARTER DEL VENTILATORE CON ALBERO E DEFLETTORI
 CARTER DEL VENTILADOR CON EJE Y DEFTLECTORES
 FLAEKTHNS MED AXEL OCH SKYDD

KEY	PART NO.	PART NAME	QTY	SERIAL NO.	9 9 3 4 0 0	REMARKS
1	Z20161	SHAFT	1		XX	
2	AZ10075	ARM	2		XX	
3	Z2M7078	SET SCREW	2		XX	M10 X 35
4	Z20141	SHEET	4		XX	
5	19M7077	CAP SCREW	16		XX	M6 X 20
6	Z23545	BRACE	8		XX	
7	Z20163	HOLDER	2		XX	
8	Z23754	STRAP	2		XX	
9	19M7168	CAP SCREW	4		XX	M10 X 30
10	P47232	PRESSED FLANGED HOUSING	4		XX	
11	JD39105	BALL BEARING	2		XX	
12	03M7054	BOLT	6		XX	M8 X 20
13	AZ10044	ECCENTRIC LOCKING COLLAR	2		XX	ASSY, INCL KEY 14
14	AZ19843	SET SCREW	2		XX	KIT
15	AZ15572	HOUSING	1		XX	
16	Z26704	CHANNEL	1		XX	
17	19M7167	CAP SCREW	4		XX	M10 X 25
18	14M7165	LOCK NUT	4		XX	M6
19	Z20559	GUARD	2		XX	
20	24M7040	WASHER	4		XX	11 MM
21	AZ13345	GRILLE	1		X	LH
22	Z20150	DEFLECTOR	1		XX	UP
23	Z20149	DEFLECTOR	1		XX	LOW
24	Z20154	LEVER	2		XX	
25	Z27520	GUDGEON	2		XX	
26	21M7031	SCREW	24		XX	M6 X 15
27	12M7012	LOCK WASHER	AR		XX	6 MM
28	14M7027	NUT	AR		XX	M6
29	24M7088	WASHER	16		XX	6,6 MM
30	14M7167	LOCK NUT	8		XX	M10
31	Z26705	CHANNEL	1		XX	
32	21M7087	SCREW	8		XX	M6 X 12
33	L20507	SPRING	2		XX	
34	24M7028	WASHER	2		XX	10,5 MM
35	11M7011	COTTER PIN	2		XX	3 X 15 MM
36	14M7152	NUT	3		XX	M10
37	Z26250	WASHER	4		XX	
38	12M7008	LOCK WASHER	6		XX	8 MM
39	14M7029	NUT	6		XX	M8
40	Z41039	LOCK NUT	AR		XX	

(1124) FEEDER CONVEYOR
CONVOYEUR D'ALIMENTATION
SCHRAEGFOERDERER
CONVOGLIATORE
ELEVADOR DE MIES
INMATNINGSELEVATOR

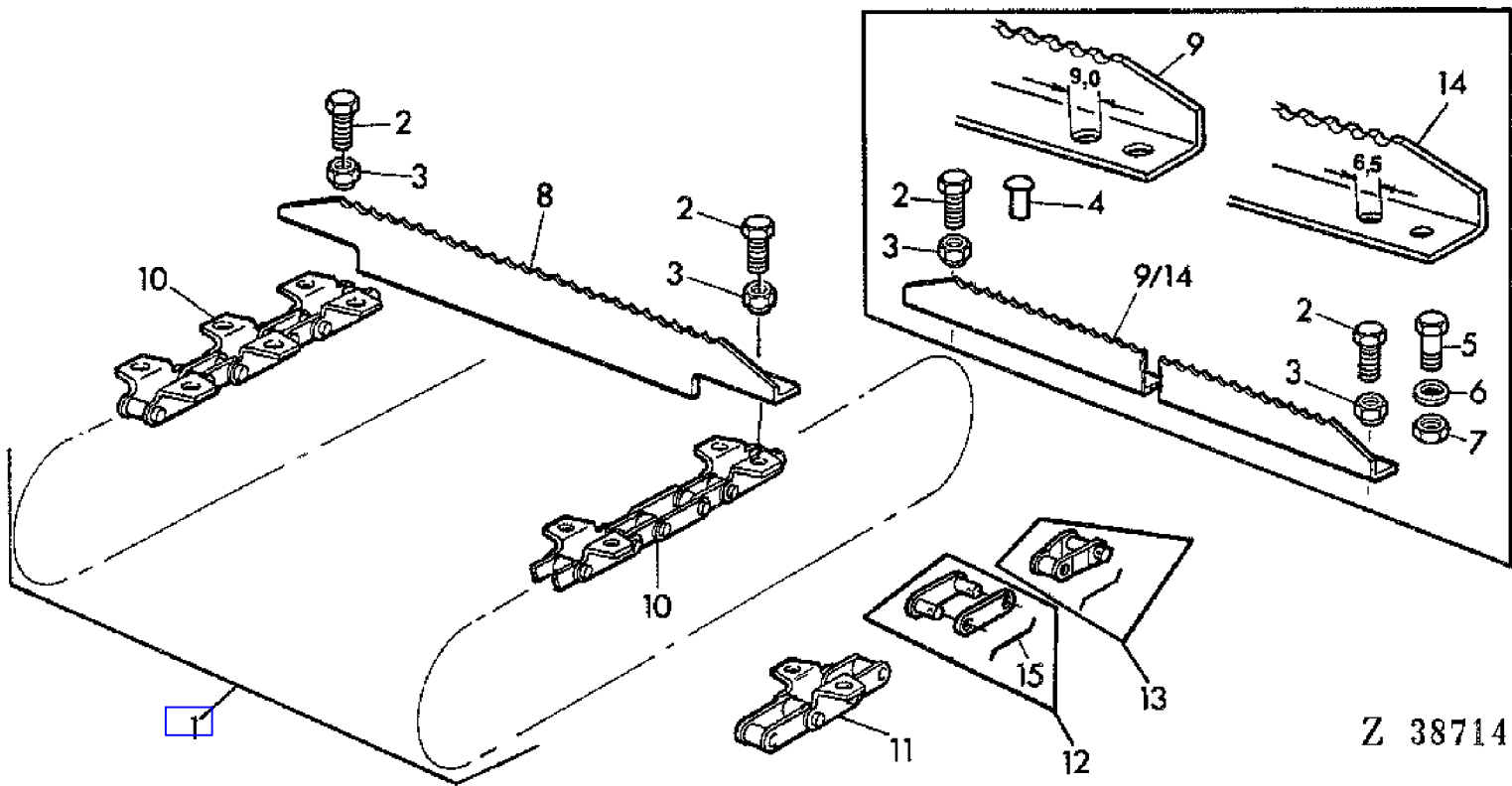


Z 55922

(1124) FEEDER CONVEYOR
CONVOYEUR D'ALIMENTATION
SCHRAEGFOERDERER
CONVOGLIATORE
ELEVADOR DE MIES
INMATNINGSELEVATOR

KEY	PART NO.	PART NAME	QTY	SERIAL NO.	9 3 0	4 0	REMARKS
1	AZ16689	CONVEYOR	1		X		
2	AZ17160	COVER	1		X		
3	Z20326	PIN	1		X		
4	Z27981	SIDE WALL	2		X		
5	Z28468	COVER	1		X		
6	Z28795	STRAP	2		X		
7	19M7162	CAP SCREW	2		X		M8 X 15
8	14M7029	NUT	26		X		M8
9	19M7139	CAP SCREW	20		X		M8 X 20
10	12M7008	LOCK WASHER	27		X		8 MM
11	24M7036	WASHER	20		X		9 MM
12	Z20713	COVER	1		X		
13	03M7054	BOLT	4		X		M8 X 20
14	Z20367	CLAMP	4		X		
15	14M7020	WING NUT	4		X		M8
16	Z20325	GASKET	1		X		
17	21M7085	SCREW	6		X		M6 X 20
18	12M7012	LOCK WASHER	6		X		6 MM
19	14M7027	NUT	6		X		M6
20	AZ12256	HOLDER	1		X		
21	03M7094	BOLT	4		X		M8 X 30
22	AZ10188	FRAME	1		X		
23	03M7088	BOLT	4		X		M10 X 20
24	19M7168	CAP SCREW	2		X		M10 X 30
25	24M7040	WASHER	6		X		11 MM
26	12M7013	LOCK WASHER	7		X		10 MM
27	14M7140	NUT	7		X		M10
28	H10503	CASE	1		X		
29	Z20569	BUSHING	1		X		
30	R31378	O-RING	1		X		(SUB FOR Z20571)
31	Z20570	COVER	1		X		
32	19H2020	CAP SCREW	3		X		5/16" X 1/2"
33	JD7788	LUBRICATION FITTING	1		X		
34	AP24917	IDLER	1		X		(SUB FOR AN30569)
35	Z20360	SPACER	1		X		
36	L18889	WASHER	1		X		
37	03M7080	BOLT	1		X		M16 X 70
38	24M7053	WASHER	1		X		17 MM
39	12M7017	LOCK WASHER	1		X		16 MM
40	14M7142	NUT	1		X		M16
41	19M7169	CAP SCREW	1		X		M10 X 35

(2A19) FEEDER CONVEYOR CHAIN
CHAINE DU CONVOYEUR
SCHRAEGFOERDERERKETTE
CATENA CONVOGLIATORE
CADENA DEL ELEVADOR DE MIES
INMATNINGSELEVATORKEDJA

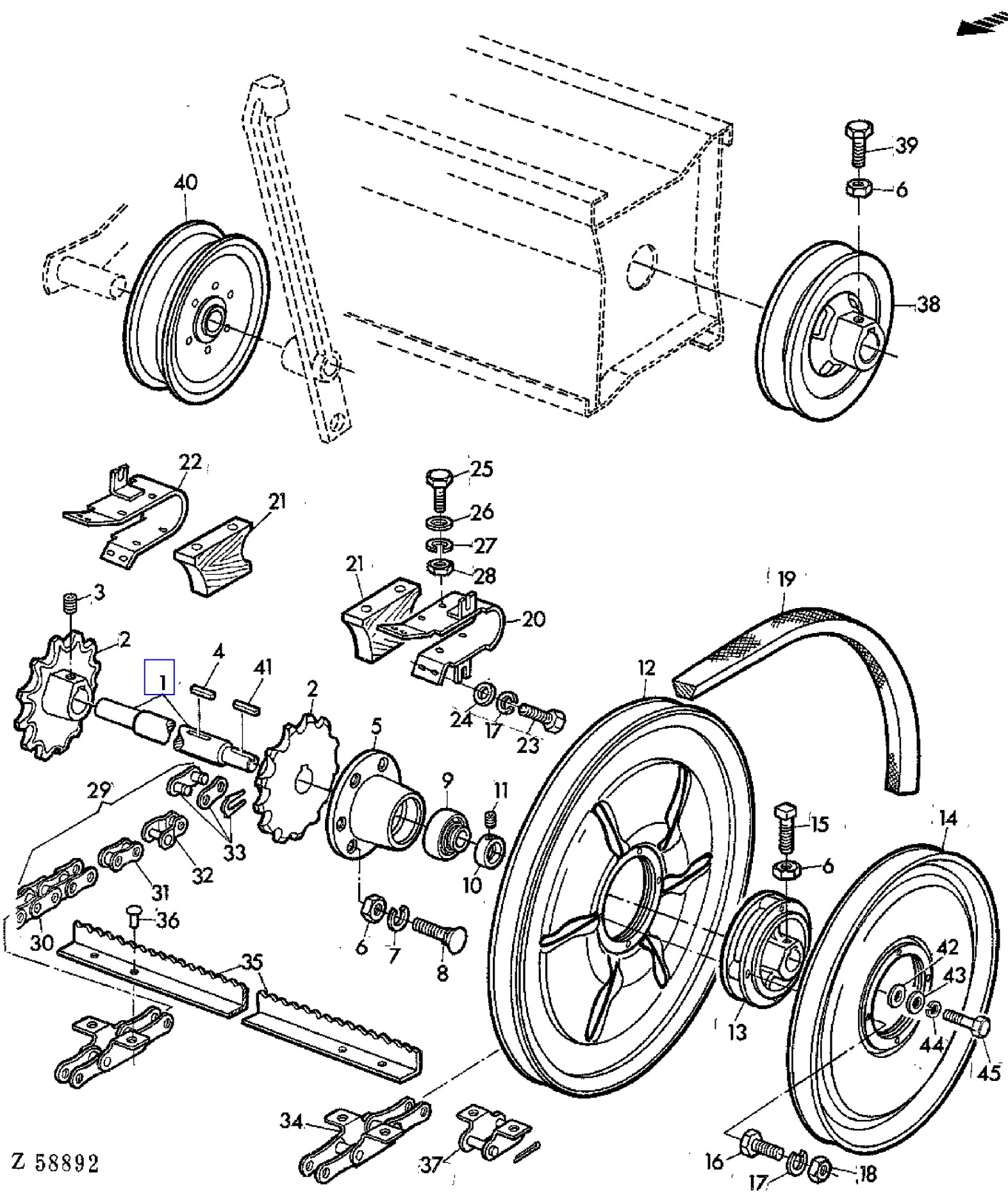


Z 38714

(2A19) FEEDER CONVEYOR CHAIN
CHAINE DU CONVOYEUR
SCHRAEGFOERDERERKETTE
CATENA CONVOGLIATORE
CADENA DEL ELEVADOR DE MIES
INMATNINGSELEVATORKEDJA

KEY	PART NO.	PART NAME	QTY	SERIAL NO.		9 9 3 4 0 0	REMARKS
1	AZ24732	SLAT	1		- 015617	X X	(ORD AZ26267)
	AZ26267	LINK CHAIN	1	015618	-	X X	(SUB FOR AZ24732)
2	19M7284	CAP SCREW	AR			X X	M8 X 18
3	14M7166	LOCK NUT	56			X X	8 MM
4	16M3523	RIVET	AR		- 015617	X X	M6 X 15
5	19M7159	CAP SCREW	AR		- 015617	X X	M6 X 15
6	12M7012	LOCK WASHER	AR		- 015617	X X	6 MM
7	14M7027	NUT	AR		- 015617	X X	M6
8	Z37346	SLAT	14	011962	-	X X	
9	Z30104	SLAT	22		- 011961	X X	
10	AZ24233	CHAIN LINK	2			X X	(FOR AZ24716, AZ26267)
	AZ24718	GATHERER CHAIN	2		- 011961	X X	
11	AZ24716	GATHERER CHAIN	2	011962	-	X X	(ORD W/ (2) AZ24233)
	AL15490	LINK	1			X X	
12	AL15481	CHAIN LINK	1			X X	
13	AL15482	CHAIN LINK	1			X X	
14	Z40692	SLAT	22		- 011961	X X	
15	Z41567	WIRE	AR			X X	

(1J04) FEEDER CONVEYOR CHAIN AND UPPER SHAFT
CHAINE DU CONVOYEUR D'ALIMENTATION ET ARBRE SUPERIEUR
SCHRAEGFOERDERERKETTE UND OBERE WELLE
CATENA ED ALBERO SUPERIORE DE CONVOGLIATORE
CADENA Y EJE SUPERIOR DEL ELERADOR DE MIES
INMATNINGS ELEVATORNS KEDJA OCH OEVRE AXEL



Z 58892

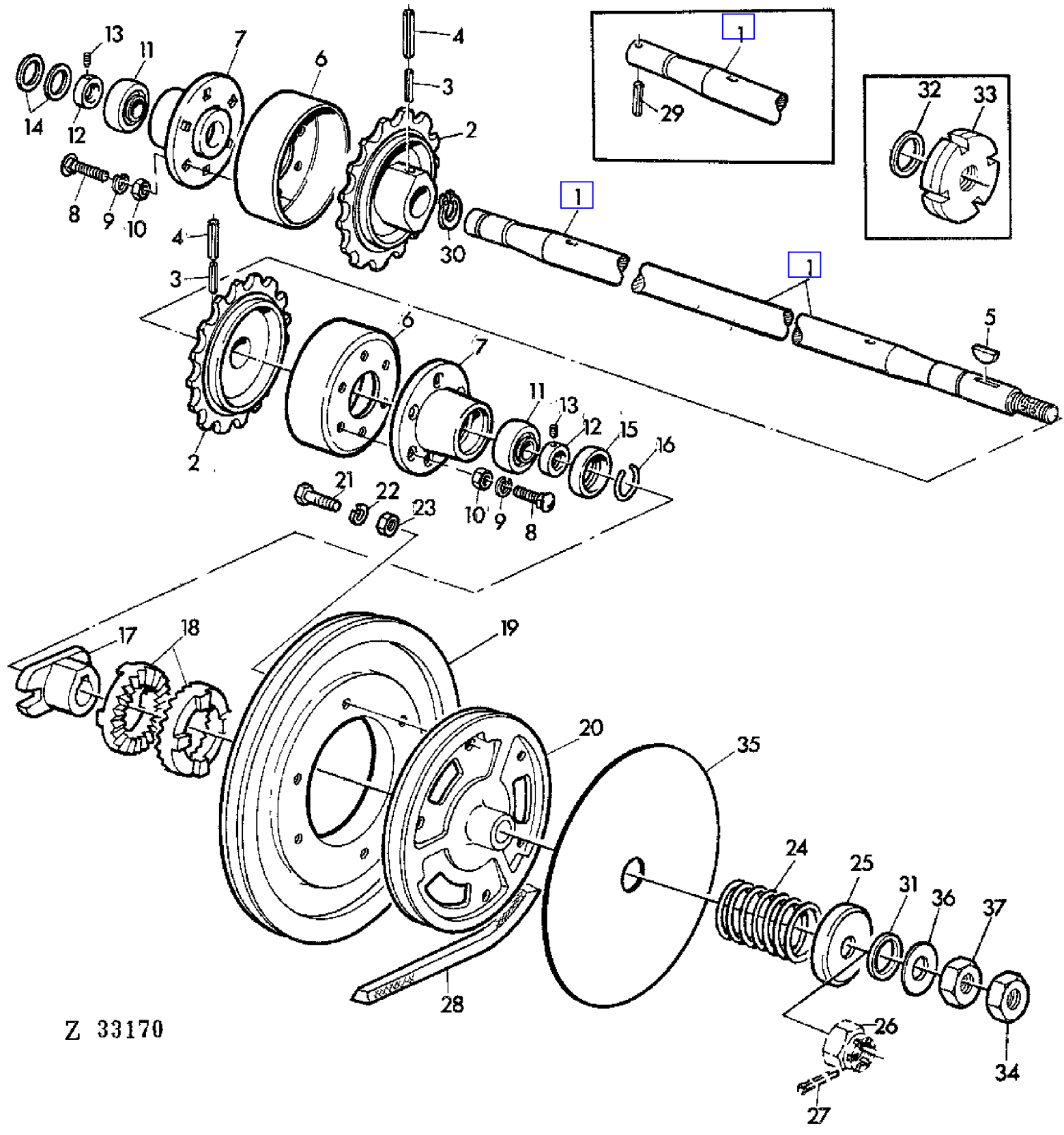
(1J04) FEEDER CONVEYOR CHAIN AND UPPER SHAFT
 CHAINE DU CONVOYEUR D'ALIMENTATION ET ARBRE SUPERIEUR
 SCHRAEGFOERDERERKETTE UND OBERE WELLE
 CATENA ED ALBERO SUPERIORE DE CONVOGLIATORE
 CADENA Y EJE SUPERIOR DEL ELERADOR DE MIES
 INMATNINGS ELEVATORNS KEDJA OCH OEVRE AXEL

KEY	PART NO.	PART NAME	QTY	SERIAL NO.	9 3 0	9 4 0	REMARKS
1	Z27983	SHAFT	1		X		
2	Z10027	CHAIN SPROCKET	2		X		
3	Z2M7023	SET SCREW	2		X		M10 X 15
4	49M4834	SHAFT KEY	3		X		6X6X36MM
5	Z10021	CASE	2		X		
6	14M7140	NUT	11		X		M10
7	12M7013	LOCK WASHER	8		X		10 MM
8	Z29501	BOLT	8		X		10 X 35 MM
9	JD39103	BALL BEARING	2		X		
10	AZ10044	ECCENTRIC LOCKING COLLAR	2		X		INCL KEY 11
11	AZ19843	SET SCREW	2		X		KIT
12	AZ10163	PULLEY	1		X		
13	Z10587	HUB	1		X		
14	AZ10164	PULLEY	1		X		
15	Z32433	SET SCREW	2		X		10 X 30 MM (SUB FOR Z26238)
16	19M7185	CAP SCREW	4		X		M8 X 60
17	12M7008	LOCK WASHER	12		X		8 MM
18	14M7029	NUT	4		X		M8
19	Z31816	BELT	1		X		
20	AZ17145	GUARD	1		X		
21	Z28984	SPACER	2		X		
22	AZ17144	GUARD	1		X		
23	19M7139	CAP SCREW	8		X		M8 X 20
24	24M7036	WASHER	8		X		9 MM
25	19M7319	SCREW	4		X		6 X 60 MM
26	Z26250	WASHER	4		X		
27	12M7012	LOCK WASHER	4		X		6 MM
28	14M7027	NUT	4		X		M6
29	AZ10161	GATHERER CHAIN	1		X		ASSY, INCL KEYS 30-36
30	AL15476	LINK CHAIN	1		X		
31	AL15479	LINK	1		X		
32	AL15482	CHAIN LINK	1		X		
33	AL15481	CHAIN LINK	1		X		
34	AZ10331	GATHERER CHAIN	2		X		ASSY, INCL KEYS 30-33
35	Z38157	SLAT	12		X		(SUB FOR Z23014)
36	16M2523	RIVET	48		X		6 X 15 MM
37	AZ15185	LINK	1		X		
38	Z10750	PULLEY	1		X		
39	Z23925	SET SCREW	1		X		
40	AP24917	IDLER	1		X		
41	49M4109	SHAFT KEY	1		X		8 X 7 X 35 MM
42	Z26248	WASHER	3		X		(SUB FOR L18819)
43	E12817	WASHER	1		X		
44	12M7013	LOCK WASHER	1		X		10 MM

(1J04) FEEDER CONVEYOR CHAIN AND UPPER SHAFT
CHAINE DU CONVOYEUR D'ALIMENTATION ET ARBRE SUPERIEUR
SCHRAEGFOERDERERKETTE UND OBERE WELLE
CATENA ED ALBERO SUPERIORE DE CONVOGLIATORE
CADENA Y EJE SUPERIOR DEL ELERADOR DE MIES
INMATNINGS ELEVATORNS KEDJA OCH OEVRE AXEL

KEY	PART NO.	PART NAME	QTY	SERIAL NO.	99 34 00	REMARKS
45	19M7166	CAP SCREW	1		X	M10 X 20

(2A14) FEEDER CONVEYOR DRIVE SHAFT
ARBRE D'ENTRAINEMENT DU CONVOYEUR D'ALIMENTATION
SCHRAEGFOERDERER-ANTRIEBSWELLE
ALBERO COMANDO CONVOGLIATORE
EJE DE ACCIONAMIENTO DEL ELEVADOR DE MIES
INMATNINGSELEVATORNS DRIVAXEL

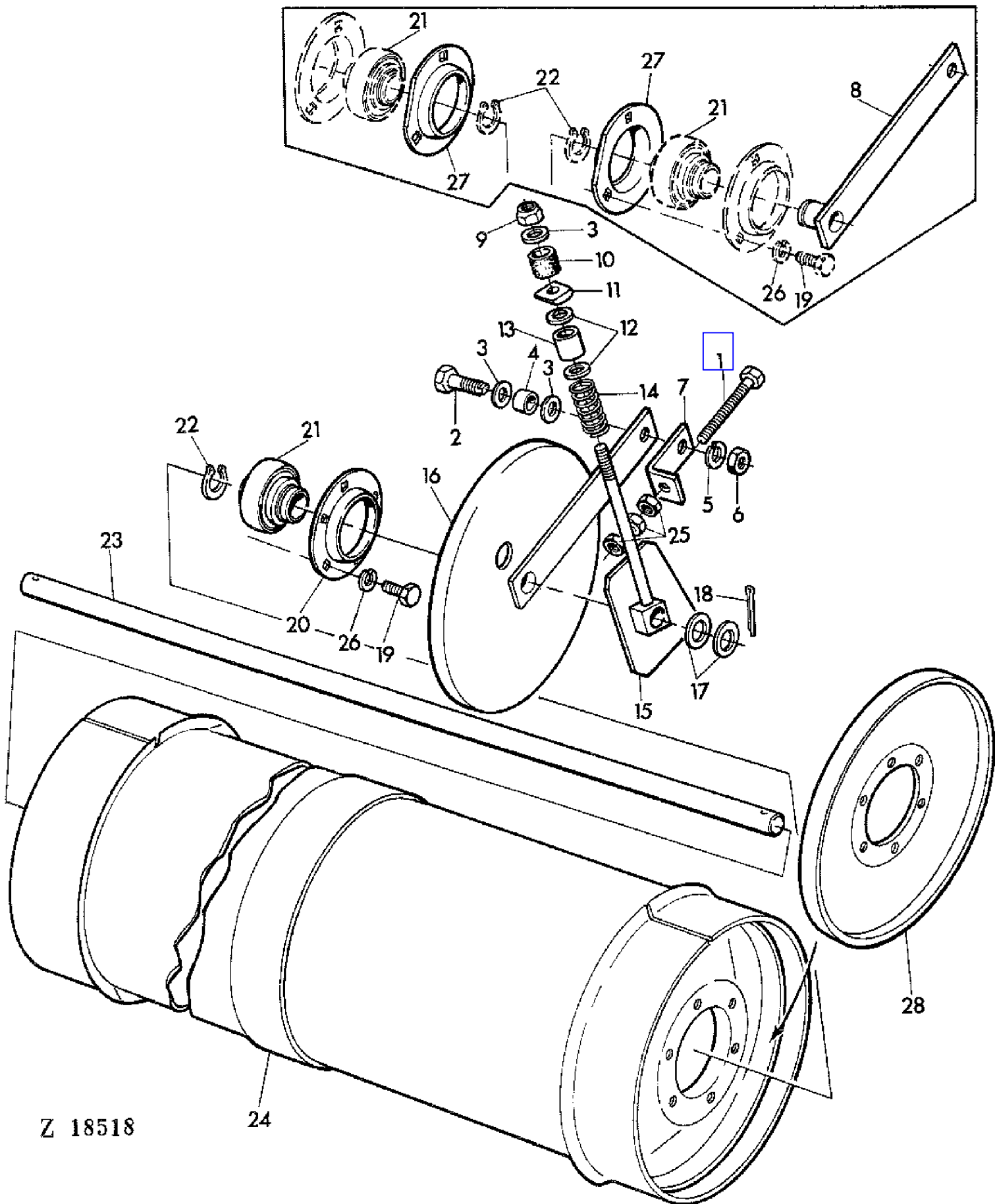


Z 33170

(2A14) FEEDER CONVEYOR DRIVE SHAFT
 ARBRE D'ENTRAINEMENT DU CONVOYEUR D'ALIMENTATION
 SCHRAEGFOERDERER-ANTRIEBSWELLE
 ALBERO COMANDO CONVOGLIATORE
 EJE DE ACCIONAMIENTO DEL ELEVADOR DE MIES
 INMATNINGSELEVATORNS DRIVAXEL

KEY	PART NO.	PART NAME	QTY	SERIAL NO.	9 9 3 4 0 0	REMARKS
1	Z30125	SHAFT	1		X X	
2	Z10815	CHAIN SPROCKET	2		X X	(SUB FOR Z10688)
3	34M7045	SPRING PIN	2		X X	6 X 60 MM
4	34M7073	SPRING PIN	2		X X	10 X 65 MM
5	26M4228	SHAFT KEY	1		X X	8 X 11 MM
6	Z30124	DEFLECTOR	2		X X	
7	Z10682	CASE	2		X X	
8	Z29501	BOLT	12		X X	10 X 40 MM
9	12M7013	LOCK WASHER	12		X X	10 MM
10	14M7140	NUT	12		X X	M10
11	JD39103	BALL BEARING	2		X X	
12	AZ10045	ECCENTRIC LOCKING COLLAR	2		X X	
13	22H975	SET SCREW	2		X X	
14	Z22126	WASHER	AR		X X	
15	Z26541	SPACER	1		X X	
16	Z23653	SNAP RING	1		X X	
17	Z10037	DRIVER	1		X X	
18	Z699H	SLIP CLUTCH	2		X X	
19	AZ10328	PULLEY	1		X X	
20	Z10048	PULLEY	1		X X	
21	19M7322	CAP SCREW	6		X X	M8 X 35
22	12M7008	LOCK WASHER	6		X X	8 MM
23	14M7029	NUT	6		X X	M8
24	Z26524	SPRING	1		X X	
25	Z26526	CAP	1		X X	
26	NUT	1		X X	(ORD Z10776, Z31187, 14M7212, 24M7127)
27	COTTER PIN	1		X X	(ORD Z10776, Z31187, 14M7212, 24M7127)
28	Z30130	BELT	1		X X	
29	34M7053	SPRING PIN	1		X X	AR, 10 X 40 MM
30	40M1831	SNAP RING	1		X X	AR, 30 X 1,5 MM
31	Z31187	WASHER	1		X X	
32	24M7127	WASHER	1	- XXXX	X X	25 X 44 X 4 MM
33	Z10776	NUT	1	- XXXX	X X	
34	14M7212	NUT	1		X X	M24
35	Z26124	GUARD	1		X X	
36	Z38832	WASHER	1	XXXX -	X X	
37	14M7143	NUT	1	XXXX -	X X	M24

(2A16) FEEDER CONVEYOR DRUM (LOWER)
TAMBOUR DU CONVOYEUR D'ALIMENTATION (INFERIEUR)
SCHRAEGFOEDERERWALZE UNTEN
RULLO DEL CONVOGLIATORE (INFERIORE)
TAMBURO CONVOGLIATORE (INFERIORE)
NEDRE SKIVA FOER INMATNINGSELEVATOR



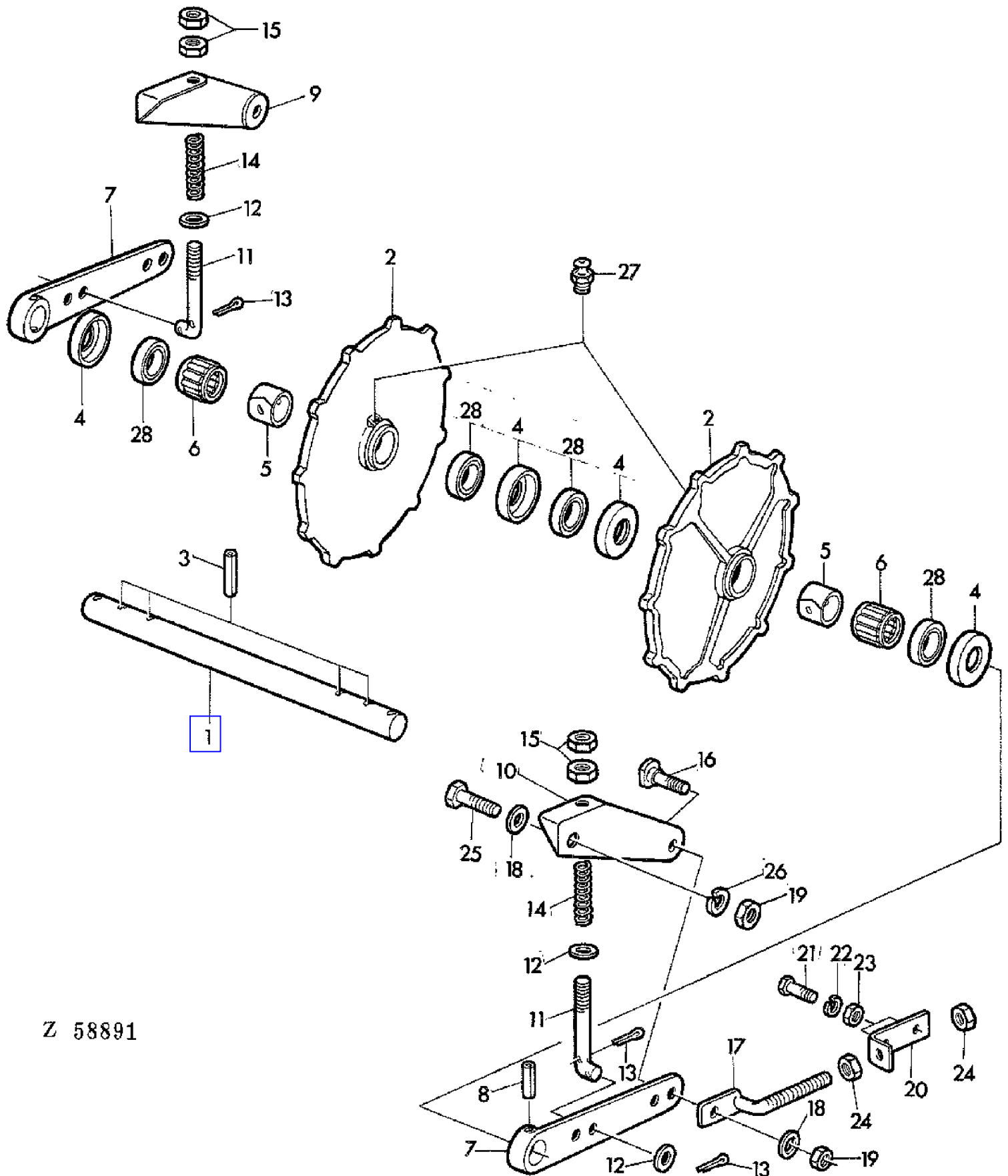
Z 18518

24

(2A16) FEEDER CONVEYOR DRUM (LOWER)
 TAMBOUR DU CONVOYEUR D'ALIMENTATION (INFERIEUR)
 SCHRAEGFOEDERERWALZE UNTEN
 RULLO DEL CONVOGLIATORE (INFERIORE)
 TAMBURO CONVOGLIATORE (INFERIORE)
 NEDRE SKIVA FOER INMATNINGSELEVATOR

KEY	PART NO.	PART NAME	QTY	SERIAL NO.	9 9 3 4 0 0	REMARKS
1	19M7485	CAP SCREW	2		X X	M12 X 110
2	Z30519	CAP SCREW	2		X X	
3	L18889	WASHER	6		X X	
4	Z24862	SPACER	2		X X	(SUB FOR Z23794)
5	12M7017	LOCK WASHER	2		X X	16 MM
6	14M7142	NUT	2		X X	M16
7	Z30126	ANGLE	2		X X	
8	AZ18660	LEVER	2		X X	(ORD AZ25927)
9	14M7170	LOCK NUT	2		X X	M16
10	P49545	BUSHING	2		X X	
11	Z10683	PLATE	2		X X	
12	24M7053	WASHER	4		X X	17 MM
13	Z20360	SPACER	2	- 930420	X	
	Z20360	SPACER	2	- 941490	X	
14	Z30128	COMPRESSION SPRING	2	- 930420	X	
	Z34419	COMPRESSION SPRING	2	930421 -	X	
	Z30128	COMPRESSION SPRING	2	- 941490	X	
	Z34419	COMPRESSION SPRING	2	941491 -	X	
15	AZ18786	ADJUSTER	1		X X	LH
	AZ18659	ADJUSTER	1		X X	RH
16	AZ25927	SUPPORT	2		X X	(SUB FOR AZ18660)
17	Z24651	WASHER	4		X X	(SUB FOR L19223)
18	11M7037	COTTER PIN	2		X X	6 X 40 MM
19	19M7166	CAP SCREW	12		X X	M10 X 20
20	Z37382	PRESSED FLANGED HOUSING	2		X X	(SUB FOR H23581, Z30769)
21	JD39104	BALL BEARING	2		X X	
22	40M1833	SNAP RING	2		X X	35 X 1,5 MM
23	Z30127	SHAFT	1		X X	
24	AZ26877	DRUM	1		X X	(SUB FOR AZ18661, AZ21716, AZ25929)
25	14M7031	NUT	6		X X	M12
26	12M7013	LOCK WASHER	12		X X	10 MM
27	H23581	PRESSED FLANGED HOUSING	4		X X	AR (ORD Z30769)
28	AZ26295	HUB	2		X X	(SUB FOR AZ21715)

(1J02) FEEDER CONVEYOR LOWER SHFAT
CONVOYEUR D'ALIMENTATION ARBRE INFERIEUR
SCHRAEGFOERDER UNTERE WELLE
ALBERO INFERIORE DEL CONVOGLIATORE
EJE INFERIOR DEL ELEVADOR DE MIES
INMATNINGSELEVATORNS NEDRE AXEL

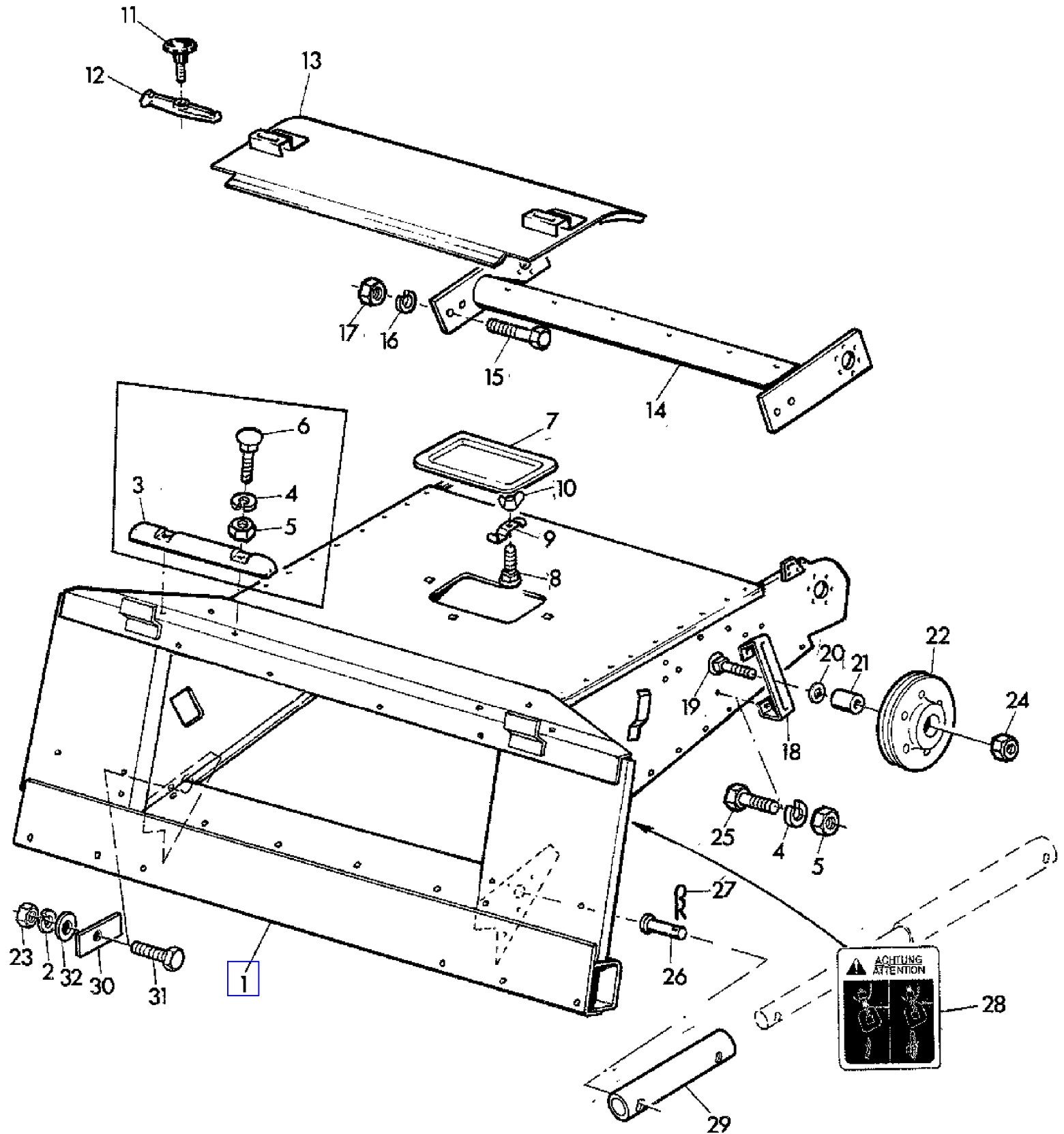


Z 58891

(1J02) FEEDER CONVEYOR LOWER SHFAT
 CONVOYEUR D'ALIMENTATION ARBRE INFERIEUR
 SCHRAEGFOERDER UNTERE WELLE
 ALBERO INFERIORE DEL CONVOGLIATORE
 EJE INFERIOR DEL ELEVADOR DE MIES
 INMATNINGSELEVATORNS NEDRE AXEL

KEY	PART NO.	PART NAME	QTY	SERIAL NO.	9 9 3 4 0 0	REMARKS
1	Z28475	SHAFT	1		X	
2	Z10611	CHAIN SPROCKET	2		X	
3	34M7036	SPRING PIN	4		X	5 X 45 MM
4	Z26694	DUST SHIELD	4		X	
5	JD37310	BUSHING	2		X	
6	JD37309	NEEDLE BEARING	2		X	
7	Z10317	LEVER	2		X	
8	34M7042	SPRING PIN	2		X	6 X 40 MM
9	Z10035	BRACKET	1		X	RH
10	Z10040	BRACKET	1		X	LH
11	Z23729	HOOK BOLT	2		X	
12	24M7047	WASHER	4		X	13 MM
13	11M7022	COTTER PIN	4		X	4 X 30 MM
14	Z23728	COMPRESSION SPRING	2		X	
15	14M7031	NUT	4		X	M12
16	L19960	CAP SCREW	2		X	
17	L19962	ADJUSTER	2		X	
18	24M7040	WASHER	4		X	11 MM
19	14M7140	NUT	4		X	M10
20	L19964	HOLDER	2		X	
21	19M7163	CAP SCREW	4		X	M8 X 25
22	12M7008	LOCK WASHER	4		X	8 MM
23	14M7029	NUT	4		X	M8
24	14M7031	NUT	4		X	M12
25	19M7168	CAP SCREW	2		X	M10 X 30
26	12M7013	LOCK WASHER	2		X	10 MM
27	58M5575	LUBRICATION FITTING	2		X	10 MM
28	AZ10374	SEAL	4		X	

(2A10) FEEDER CONVEYOR-HOUSING SHORT
CARTER DE CONVOYEUR D'ALIMENTATION COURT
SCHRAEGFOEDERER GEHAEUSE KURZ
CASSA CONVOGLIATORE CORTO
CARCASA DEL ELEVADOR DE MIES, CORTA
HUS FOER INMATNINGSELEVATOR, KORT

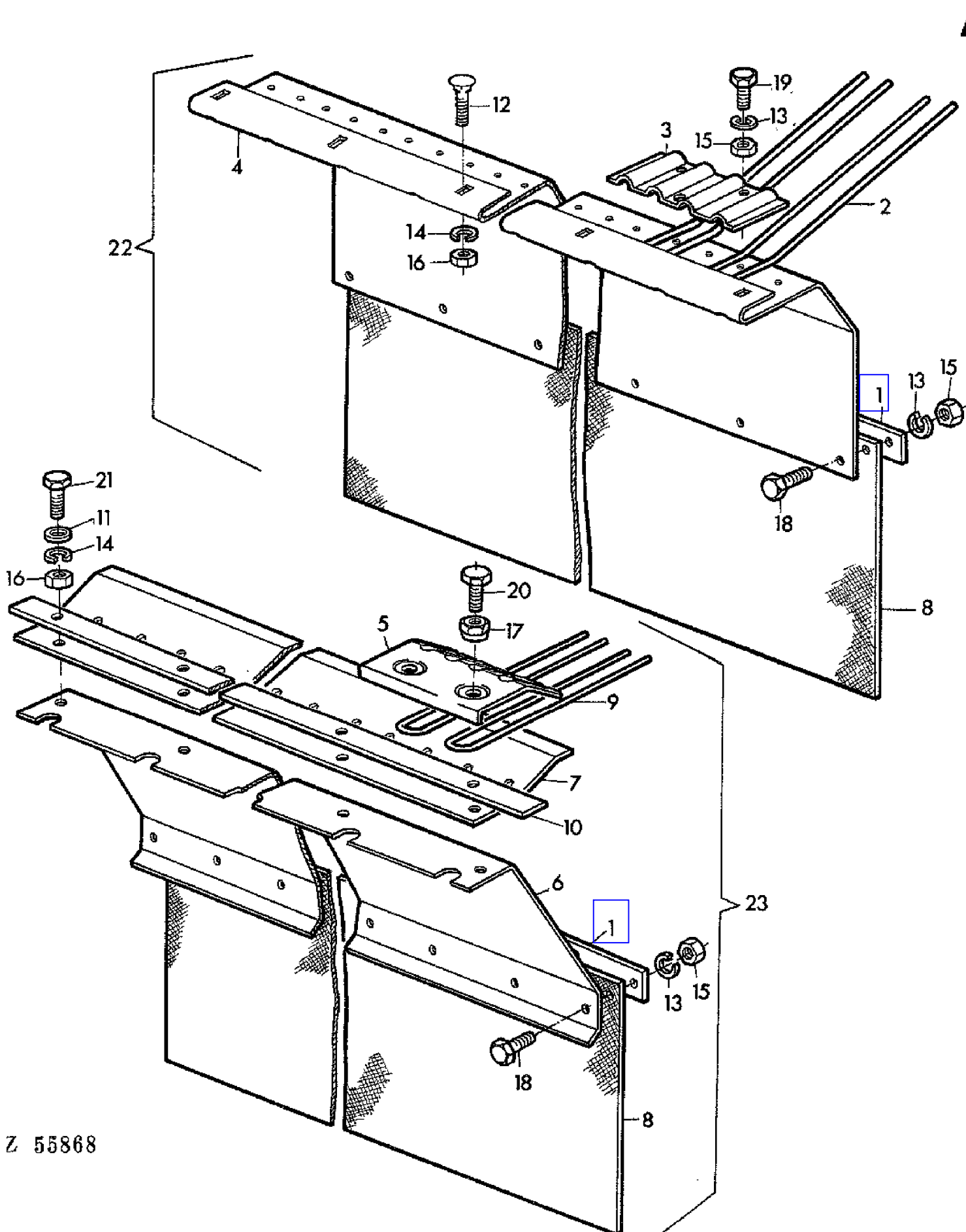


Z 63633

(2A10) FEEDER CONVEYOR-HOUSING SHORT
 CARTER DE CONVOYEUR D'ALIMENTATION COURT
 SCHRAEGFOEDERER GEHAEUSE KURZ
 CASSA CONVOGLIATORE CORTO
 CARCASA DEL ELEVADOR DE MIES, CORTA
 HUS FOER INMATNINGSELEVATOR, KORT

KEY	PART NO.	PART NAME	QTY	SERIAL NO.	9 9 3 4 0 0	REMARKS
1	AZ30118	HOUSING	1		X	(SUB FOR AZ20392, AZ21195, AZ23331, AZ23356)
	AZ30118	HOUSING	1		X	(SUB FOR AZ20392, AZ21195, AZ23331, AZ23356)
2	12M7008	LOCK WASHER	1		X X	8 MM
3	Z10687	HOLDER	2		X X	AR
4	12M7014	LOCK WASHER	6		X X	12 MM
5	14M7031	NUT	6		X X	M12
6	03M7141	BOLT	4		X X	AR, M12 X 55
7	Z20713	COVER	1		X X	
8	03M7054	BOLT	4		X X	M8 X 20
9	Z20367	CLAMP	4		X X	
10	14M7020	WING NUT	4		X X	M8
11	AZ18662	HANDLE	2		X X	
12	Z10681	LATCH	2		X X	
13	AZ18663	COVER	1		X X	
14	AZ18654	STABILIZER	1		X X	
15	19M7395	CAP SCREW	4		X X	M16 X 40
16	12M7017	LOCK WASHER	4		X X	16 MM
17	14M7142	NUT	4		X X	M16
18	AZ18656	HOLDER	1		X X	
19	03M7078	BOLT	1		X X	M16 X 75
20	24M7050	WASHER	1		X X	18 MM
21	Z22659	SPACER	1		X X	
22	AN30569	IDLER	1		X X	
23	14M7029	NUT	1		X X	M8
24	14M7170	LOCK NUT	1		X X	M16
25	19M7268	CAP SCREW	2		X X	M12 X 25
26	45M7023	PIN	2		X X	22 X 90 X 82 MM
27	Z27858	COTTER PIN	2		X X	
28	Z32347	DECAL	1		X X	
29	Z32358	PIPE	2	941031 -	X	
30	Z23741	STRAP	1		X X	
31	19M7163	CAP SCREW	1		X X	M8 X 25
32	24M7036	WASHER	1		X X	9 MM
..	AZ30321	KIT	1		X X	(FOR AZ30118)
..	AZ23426	KIT	1		X X	KIT (FOR AZ23331) (INCL AZ23315, AZ23337, Z11085, (2) Z34740)

(2B22) FINGER GRATE
BARRE PORTE-DENTS
FINGERRECHEN
PETTINE
GRIBA DE VARILLAS
FINGERBALK



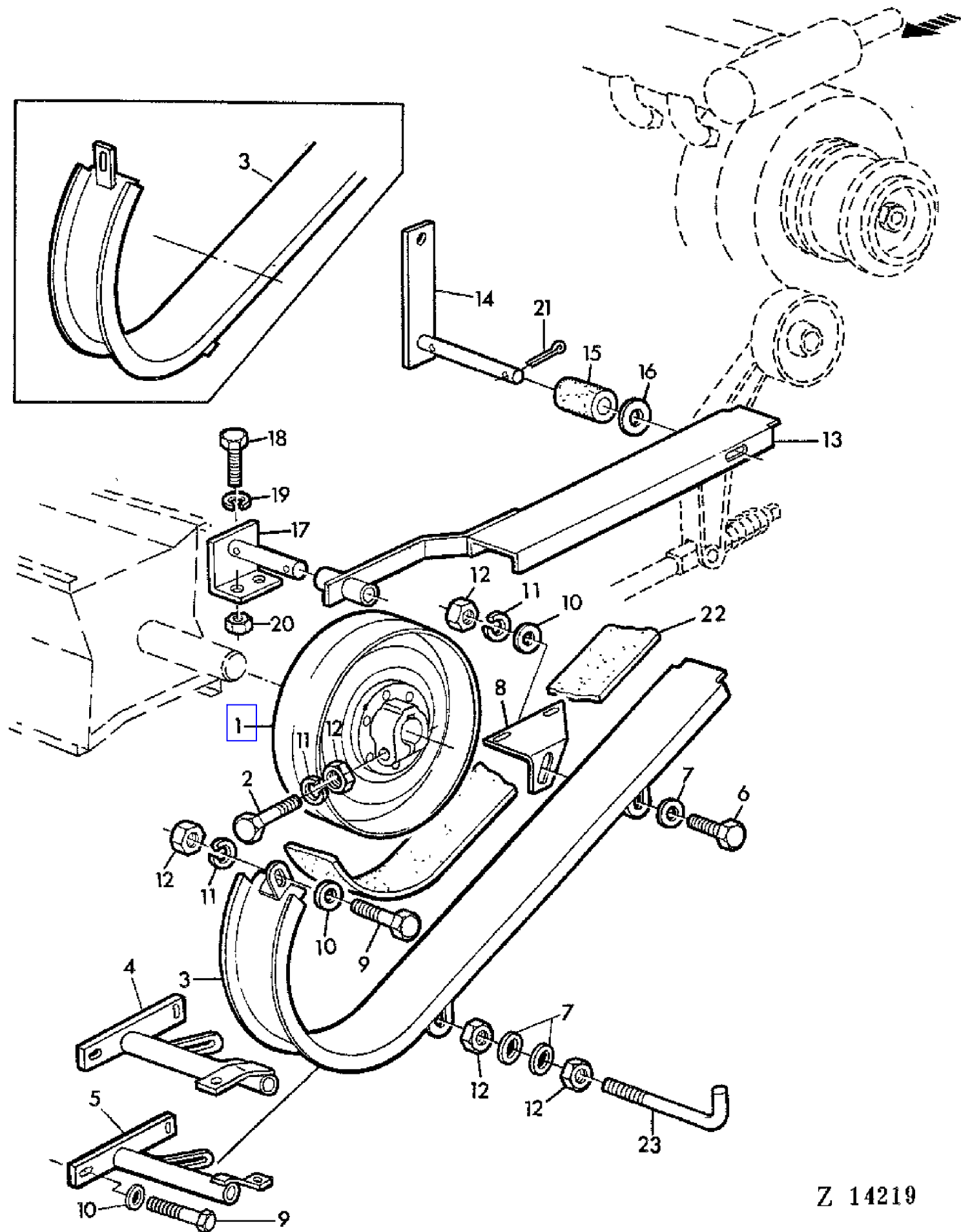
Z 55868

(2B22) FINGER GRATE
 BARRE PORTE-DENTS
 FINGERRECHEN
 PETTINE
 GRIBA DE VARILLAS
 FINGERBALK

KEY	PART NO.	PART NAME	QTY	SERIAL NO.	9 9 3 4 0 0	REMARKS
1	Z20054	REINFORCEMENT	1		XX	
2	Z20073	TINE	18		XX	
3	Z20074	RETAINER	9		XX	
4	Z20072	SHEET	1		XX	
5	Z29341	RETAINER	6		XX	
6	Z29344	SHEET	1		XX	
7	Z29409	SHEET	1		XX	
8	Z35496	LIMIT CURTAIN	1		XX	(SUB FOR Z30188)
9	Z31009	TINE	12		XX	
10	Z31011	REINFORCEMENT	1		XX	
11	L19008	WASHER	4		XX	
12	03M7017	BOLT	4		XX	M10 X 25
13	12M7012	LOCK WASHER	24		XX	6 MM
14	12M7013	LOCK WASHER	8		XX	10 MM
15	14M7027	NUT	24		XX	M6
16	14M7140	NUT	8		XX	M10
17	14M7166	LOCK NUT	12		XX	M8
18	19M6614	CAP SCREW	6		XX	M6 X 12
19	19M7159	CAP SCREW	18		XX	M6 X 15
20	19M7163	CAP SCREW	12		XX	M8 X 25
21	19M7169	CAP SCREW	4		XX	M10 X 35
22	FINGER GRATE	1		XX	(A)
23	FINGER GRATE	1		XX	

(A) 22 MAY BE REPLACED COMPLETELY BY PARTS OF 23
 22 PEUT ETRE TOTALEMENT REMPLACÉ PAR LES ÉLÉMENTS DE 23
 22 KANN KOMPLETT DURCH DIE EINZELTEILE VON 23 ERSETZT WERDEN
 22 PUO ESSERE SOSPITTO PER I PARTI SINGOLE DA 23
 22 PUEDE SER SUSTITUIDO POR LOS COMPONENTES DE 23
 22 KAN HELT ERSATTAS MED DELAR AV 23

(2B03) FLAT BELT GUIDE
GUIDE DE COURROIE PLATE
FLACHRIEMENFUEHRUNG
GUIDA PER CINGHIA PLATTA
GUIA DE CORREA
FLATREMSSTOED

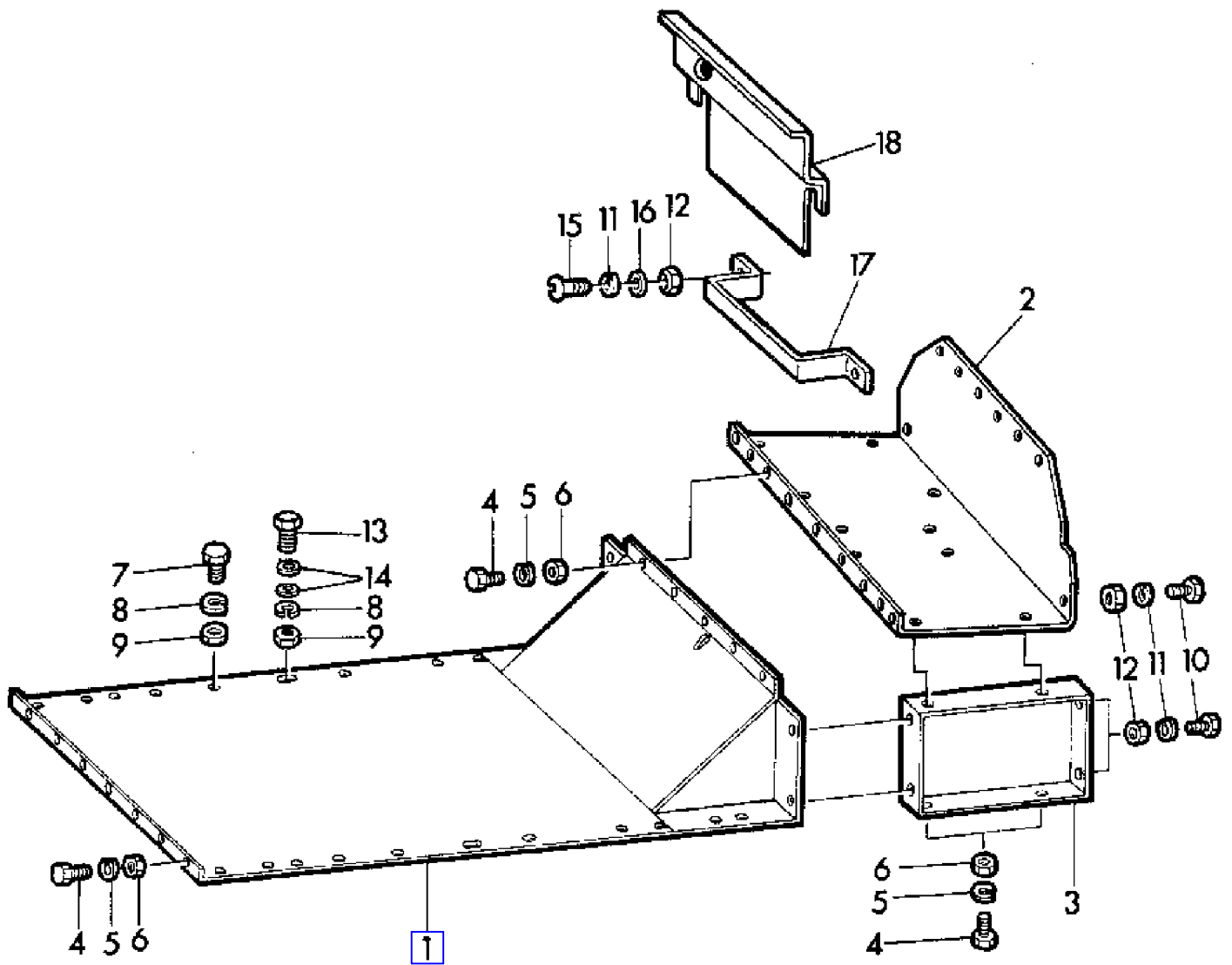


Z 14219

(2B03) FLAT BELT GUIDE
GUIDE DE COURROIE PLATE
FLACHRIEMENFUEHRUNG
GUIDA PER CINGHIA PLATTA
GUIA DE CORREA
FLATREMSSTOED

KEY	PART NO.	PART NAME	QTY	SERIAL NO.	9 3 0	9 4 0	REMARKS
1	AZ19444	PULLEY	1			X X	
2	19M7327	CAP SCREW	1			X X	M10 X 65
3	AZ19725	GUIDE	1	- 930420		X	
	AZ21431	GUIDE	1	941031 -		X	
	AZ19725	GUIDE	1	- 941030		X	
	AZ21431	GUIDE	1	930421 -		X	
4	AZ19724	BRACKET	1	- 941030		X	
	AZ21602	BRACKET	1	941031 -		X	
5	AZ20105	BRACKET	1			X	
6	19M7168	CAP SCREW	3			X X	M10 X 30
7	24M7043	WASHER	4			X X	12 MM
8	Z32585	BRACKET	1	- 941030		X	(SUB FOR Z31065)
	Z32585	BRACKET	1			X	(SUB FOR Z31065)
	Z32700	BRACKET	1	941031 -		X	
9	19M7167	CAP SCREW	2			X X	M10 X 25
10	24M7040	WASHER	1			X X	11,5 MM
11	12M7013	LOCK WASHER	6			X X	10 MM
12	14M7140	NUT	8			X X	M10
13	AZ19723	BRACKET	1			X X	
14	AZ19721	HOLDER	1	- 941030		X	
	AZ19721	HOLDER	1			X	
15	AZ21604	HOLDER	1	941031 -		X	
	Z31640	BUSHING	1			X X	
16	24M7028	WASHER	1			X X	10,5 MM
17	AZ19719	HOLDER	1			X	
	AZ19719	HOLDER	1	- 941030		X	
	AZ21603	HOLDER	1	941031 -		X	
18	19M7139	CAP SCREW	2			X X	M8 X 20
19	12M7008	LOCK WASHER	5			X X	8 MM
20	14M7029	NUT	4			X X	M8
21	11M7012	COTTER PIN	AR			X X	3 X 18 MM
22	Z31191	BELT	1			X X	
23	Z32076	HOOK BOLT	1			X X	

(2F21) FLOOR PANNELS, ENGINE COMPARTMENT
FOND DU COMPARTIMENT MOTEUR
MOTOR-BODENBLECHE
LAMIERE DI FONDO, MOTORE
PANELES INFERIORES DE MOTOR
BOTTENPLATAR, MOTOR

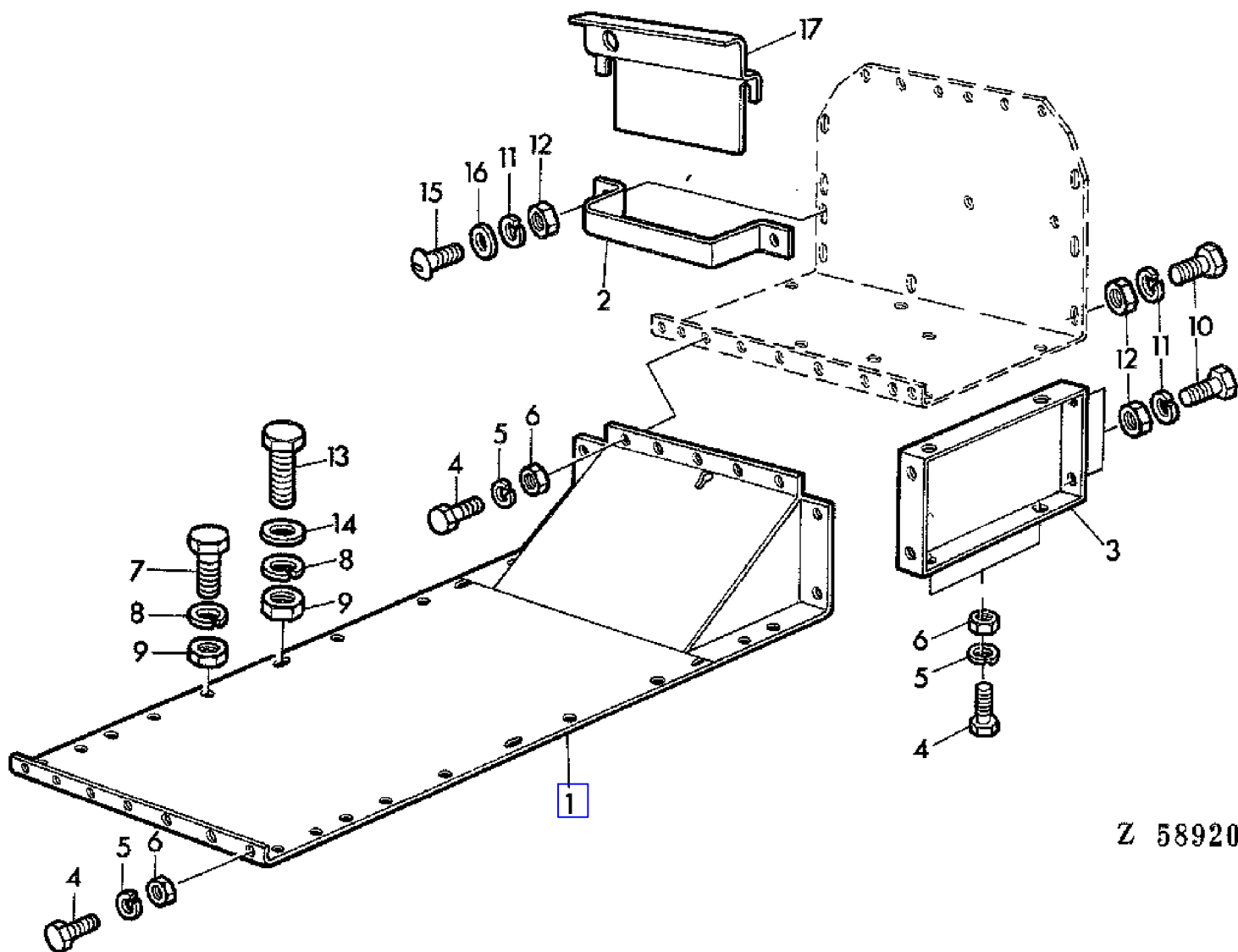


Z 61446

(2F21) FLOOR PANNELS, ENGINE COMPARTMENT
FOND DU COMPARTIMENT MOTEUR
MOTOR-BODENBLECHE
LAMIERE DI FONDO,MOTORE
PANELES INFERIORES DE MOTOR
BOTTENPLATAR,MOTOR

KEY	PART NO.	PART NAME	QTY	SERIAL NO.	9 9 3 4 0 0	REMARKS
1	AZ10716	PANEL	1		X	
2	AZ14178	BRACKET	1		X	
3	Z21382	SHEET	2		X	
4	19M7159	CAP SCREW	20		X	M6 X 15
5	12M7012	LOCK WASHER	20		X	6 MM
6	14M7027	NUT	20		X	M6
7	19M7166	CAP SCREW	14		X	M10 X 20
8	12M7013	LOCK WASHER	16		X	10 MM
9	14M7140	NUT	16		X	M10
10	19M7162	CAP SCREW	16		X	M8 X 15
11	12M7008	LOCK WASHER	18		X	8 MM
12	14M7029	NUT	18		X	M8
13	19M7167	CAP SCREW	2		X	M10 X 25
14	24M7040	WASHER	4		X	11 MM
15	21M7081	SCREW	2		X	M8 X 15
16	24M7036	WASHER	AR		X	9 MM
17	Z24514	HOLDER	1		X	
18	Z33088	HOLDER	1	XXXX -	X	

(2F23) FLOOR PANNELS, ENGINE COMPARTMENT
FOND DU COMPARTIMENT MOTEUR
MOTOR-BODENBLECHE
LAMIERE DI FONDO, MOTORE
PANELES INFERIORES DE MOTOR
BOTTENPLATAR, MOTOR

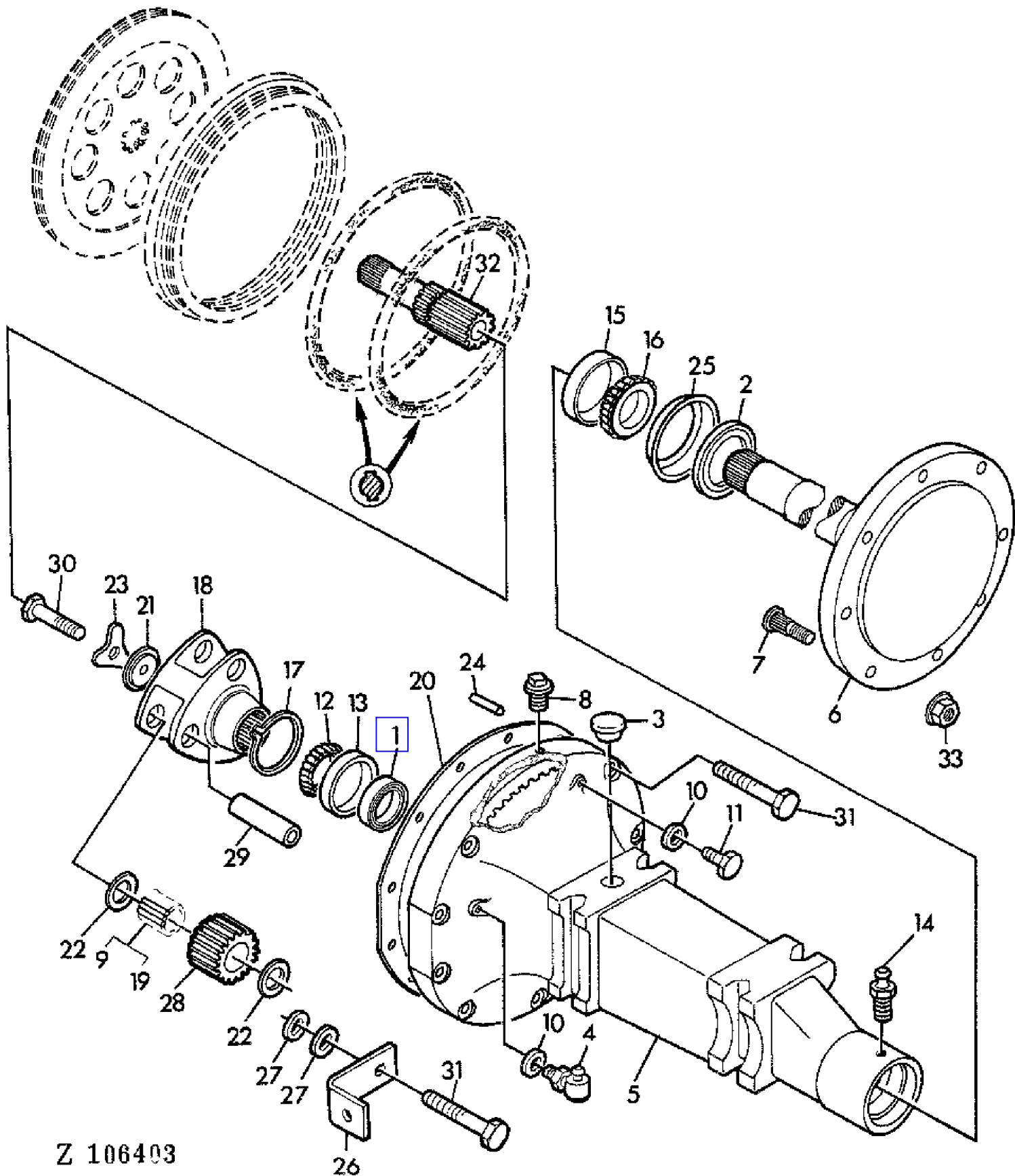


Z 58920

(2F23) FLOOR PANNELS, ENGINE COMPARTMENT
FOND DU COMPARTIMENT MOTEUR
MOTOR-BODENBLECHE
LAMIERE DI FONDO,MOTORE
PANELES INFERIORES DE MOTOR
BOTTENPLATAR, MOTOR

KEY	PART NO.	PART NAME	QTY	SERIAL NO.	9 9 3 4 0 0	REMARKS
1	AZ10716	PANEL	1		X	
2	Z24514	HOLDER	1		X	
3	Z21382	SHEET	2		X	
4	19M7159	CAP SCREW	24		X	M6 X 15
5	12M7012	LOCK WASHER	24		X	6 MM
6	14M7027	NUT	24		X	M6
7	19M7166	CAP SCREW	14		X	M10 X 20
8	12M7013	LOCK WASHER	16		X	10 MM
9	14M7140	NUT	16		X	M10
10	19M7162	CAP SCREW	22		X	M8 X 15
11	12M7008	LOCK WASHER	24		X	8 MM
12	14M7029	NUT	24		X	M8
13	19M7167	CAP SCREW	2		X	M10 X 25
14	24M7040	WASHER	4		X	11 MM
15	21M7081	SCREW	2		X	M8 X 15
16	24M7036	WASHER	AR		X	9 MM
17	Z33088	HOLDER	1	940781 -	X	

(1A20) FRONT AXLE, FRONT WHEELS
ESSIEU AVANT, ROUES AVANT
VORDERACHSE, VORDERRAEDER
ASSALE ANTERIORE, RUOTE ANTERIORI
EJE DELANTERO, RUEDAS DELANTERAS
FRAMAXLE, FRAM HJULSENHET

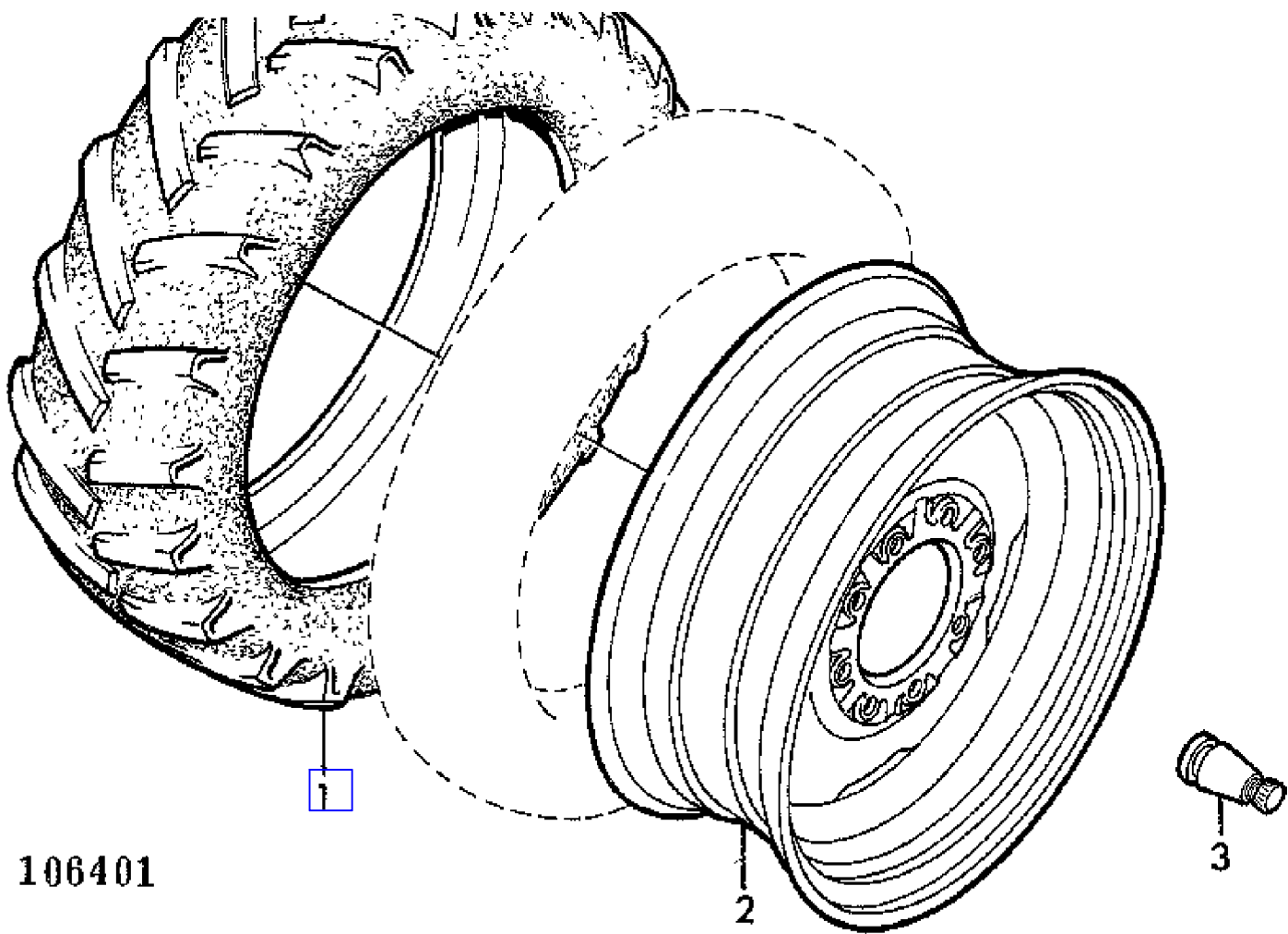


Z 106403

(1A20) FRONT AXLE, FRONT WHEELS
 ESSIEU AVANT, ROUES AVANT
 VORDERACHSE, VORDERRAEDER
 ASSALE ANTERIORE, RUOTE ANTERIORI
 EJE DELANTERO, RUEDAS DELANTERAS
 FRAMAXLE, FRAM HJULSENHET

KEY	PART NO.	PART NAME	QTY	SERIAL NO.	9 3 0	9 4 0	REMARKS
1	AT20701	SEAL	2		X		
	AT20702	SEAL	2			X	
2	AT20703	SEAL	2		X	X	
3	Z36838	PLUG	2		X	X	
4	AR26746	ELBOW FITTING	2		X	X	
5	AZ14277	FRONT AXLE	2		X		
6	AZ25245	FRONT AXLE	2		X		(SUB FOR AZ14267)
	AZ21116	DRIVE SHAFT	2		X		(SUB FOR AZ16262)
	AZ20949	DRIVE SHAFT	2		X		(SUB FOR AZ16260)
7	Z34488	WHEEL BOLT	16		X	X	(SUB FOR Z32185)
8	R21612	BLEED SCREW	2		X	X	
9	R26006	NEEDLE ROLLER	138		X		
10	R26287	O-RING	4		X	X	
11	R31631	DRAIN PLUG	2		X	X	
12	JD8171	BEARING CONE	2		X		
13	JD8161	BEARING CONE	2		X		(SUB FOR JD8147)
	JD8217	BEARING CUP	2		X		
	JD7425	BEARING CUP	2		X		
14	JD7759	LUBRICATION FITTING	2		X	X	
15	JD8206	BEARING CUP	2		X	X	
16	JD8946	BEARING CONE	2		X	X	
17	T21409	SNAP RING	2		X		
	T35791	SNAP RING	2		X		(SUB FOR T21409)
18	T21415	PLANET PINION CARRIER	2		X		
19	L29214	PLANET PINION CARRIER	2		X		(SUB FOR T21414)
20	AL24238	NEEDLE	138		X		PACKG (23)
	T21419	GASKET	2		X	X	
21	L38057	WASHER	2		X	X	(SUB FOR T21423)
22	T21424	THRUST WASHER	12		X	X	
23	T21427	LOCK PLATE	2		X	X	
24	T21428	DOWEL PIN	12		X	X	
25	T21429	BEARING CUP	2		X	X	
26	Z30483	HOLDER	2		X	X	
27	24H1748	WASHER	4		X	X	
28	T21885	GEAR	6		X		
	T21547	GEAR	6		X		
29	T21886	PINION SHAFT	6		X		
	T38049	PINION SHAFT	6		X		(SUB FOR T21548)
30	19H2993	CAP SCREW	2		X	X	1/2" X 1-1/2"
31	19H1004	CAP SCREW	24		X	X	1/2" X 2-1/4"
32	T28907	DRIVE SHAFT	2		X	X	(ORD L34168)
	L34168	DRIVE SHAFT	2	XXXX	X	X	(SUB FOR T28907)
33	14M7237	NUT	16		X	X	(SUB FOR 14M5829)

(1A17) FRONT WHEELS
ROUES AVANT
VORDERRAEDER
RUOTE ANTERIORI
RUEDAS DELANTERAS
FRAMHJULSENHET

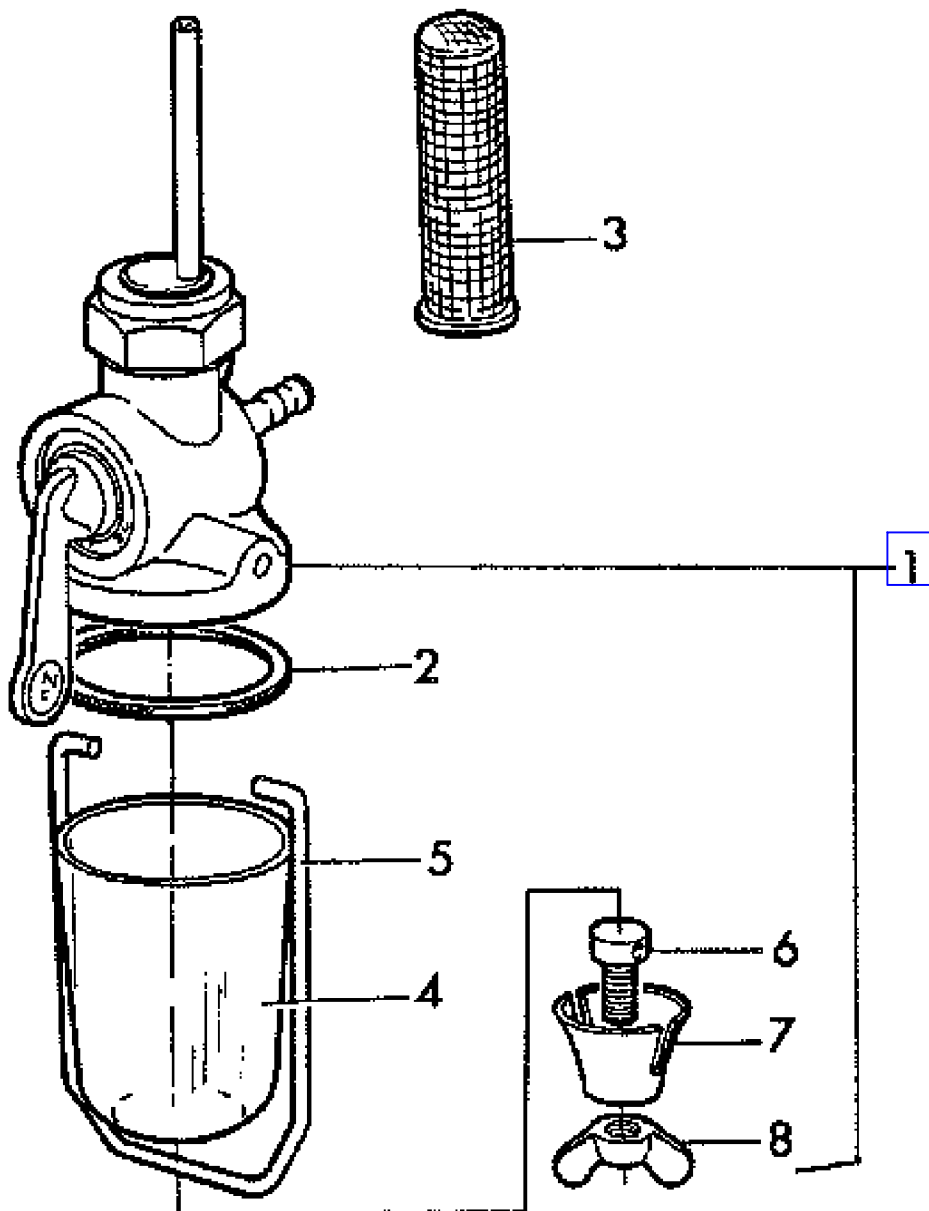


Z 106401

(1A17) FRONT WHEELS
ROUES AVANT
VORDERRAEDER
RUOTE ANTERIORI
RUEDAS DELANTERAS
FRAMHJULSENHET

KEY	PART NO.	PART NAME	QTY	SERIAL NO.	9 9 3 4 0 0	REMARKS
1	TIRE	2		X X	14 X 24 8PR
	TIRE	2		X X	19,4/15 - 26 8PR
2	AZ17125	RIM	2		X X	W 12 X 24
	AZ25215	RIM	2		X X	DW 14 X 26 (SUB FOR AZ17080)
3	AZ16587	TIRE VALVE STEM	2		X X	

(1B21) FUEL SHUT-OFF VALVE
ROBINET D'ARRET DE CARBURANT
KRAFTSTOFFABSPERRHAHN
APPARECCHIATURA ARRESTO FLUSSO COMBUSTIBILE
LLAVE DE PASO DEL DEPOSITO DE COMBUSTIBLE
AVSTAENGNINGSVENTIL FOER BRAENSLE

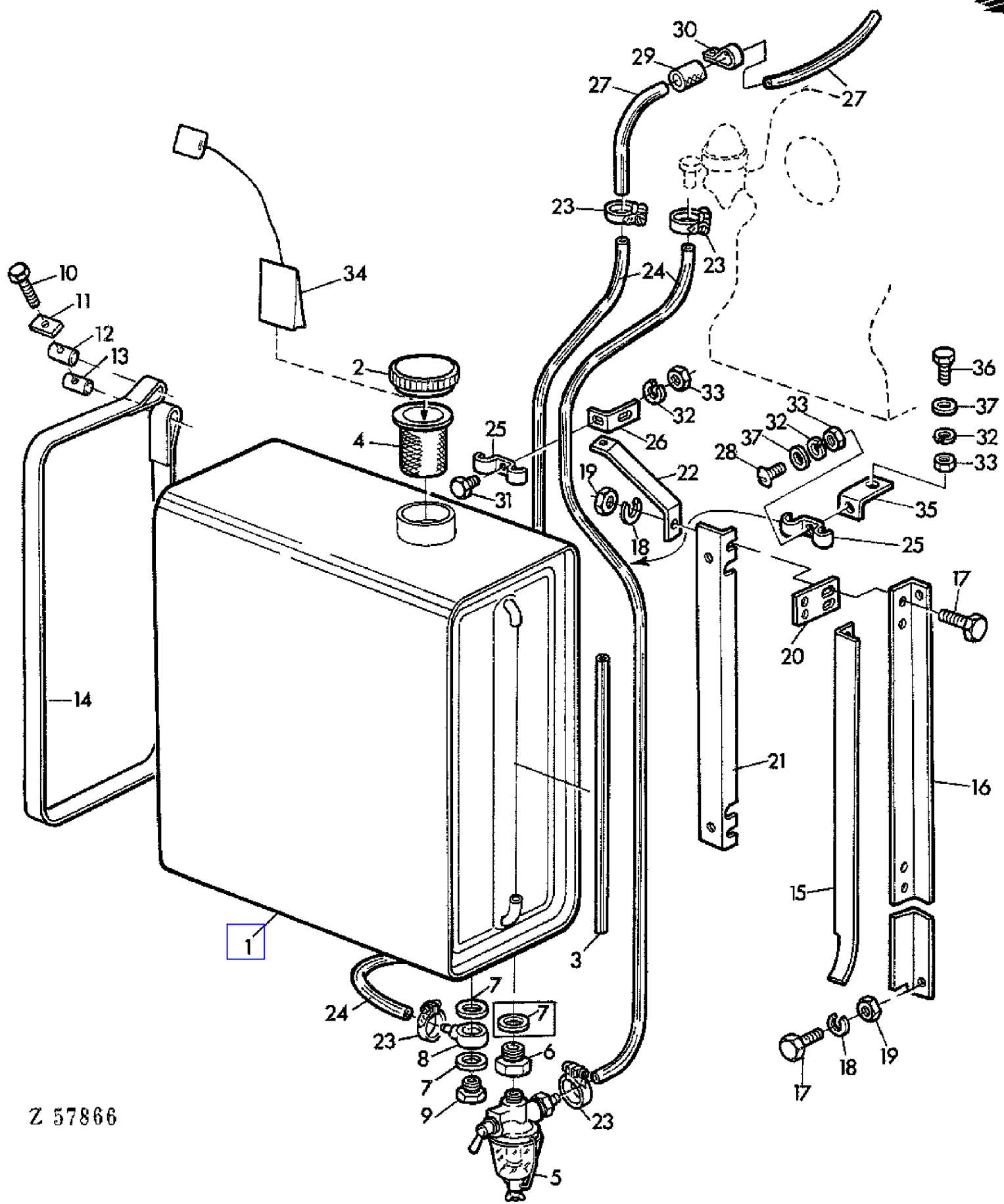


Z 56432

(1B21) FUEL SHUT-OFF VALVE
ROBINET D'ARRET DE CARBURANT
KRAFTSTOFFABSPERRHAHN
APPARECCHIATURA ARRESTO FLUSSO COMBUSTIBILE
LLAVE DE PASO DEL DEPOSITO DE COMBUSTIBLE
AVSTAENGNINGSVENTIL FOER BRAENSLE

KEY	PART NO.	PART NAME	QTY	SERIAL NO.	9 9 3 4 0 0	REMARKS
1	AZ19883	SEDIMENT BOWL	1		X X	ASSY, INCL KEYS 2,4-8
2	Z32034	SEAL	1		X X	
3	AZ25107	SCREEN	1		X X	(SUB FOR Z32028)
4	Z32030	SEDIMENT BOWL	1		X X	
5	Z32029	BEZEL	1		X X	INCL KEY 6
6	SET SCREW	1		X X	(ORD W/ Z32029)
7	Z32031	CLAMP	1		X X	
8	Z32032	WING NUT	1		X X	5 MM

(1B20) FUEL TANK
RESERVOIR A CARBURANT
KRAFTSTOFFTANK
SERBATOIO COMBUSTIBILE
DEPOSITO DE COMBUSTIBLE
BRAENSLETANK



Z 57866

(1B20) FUEL TANK

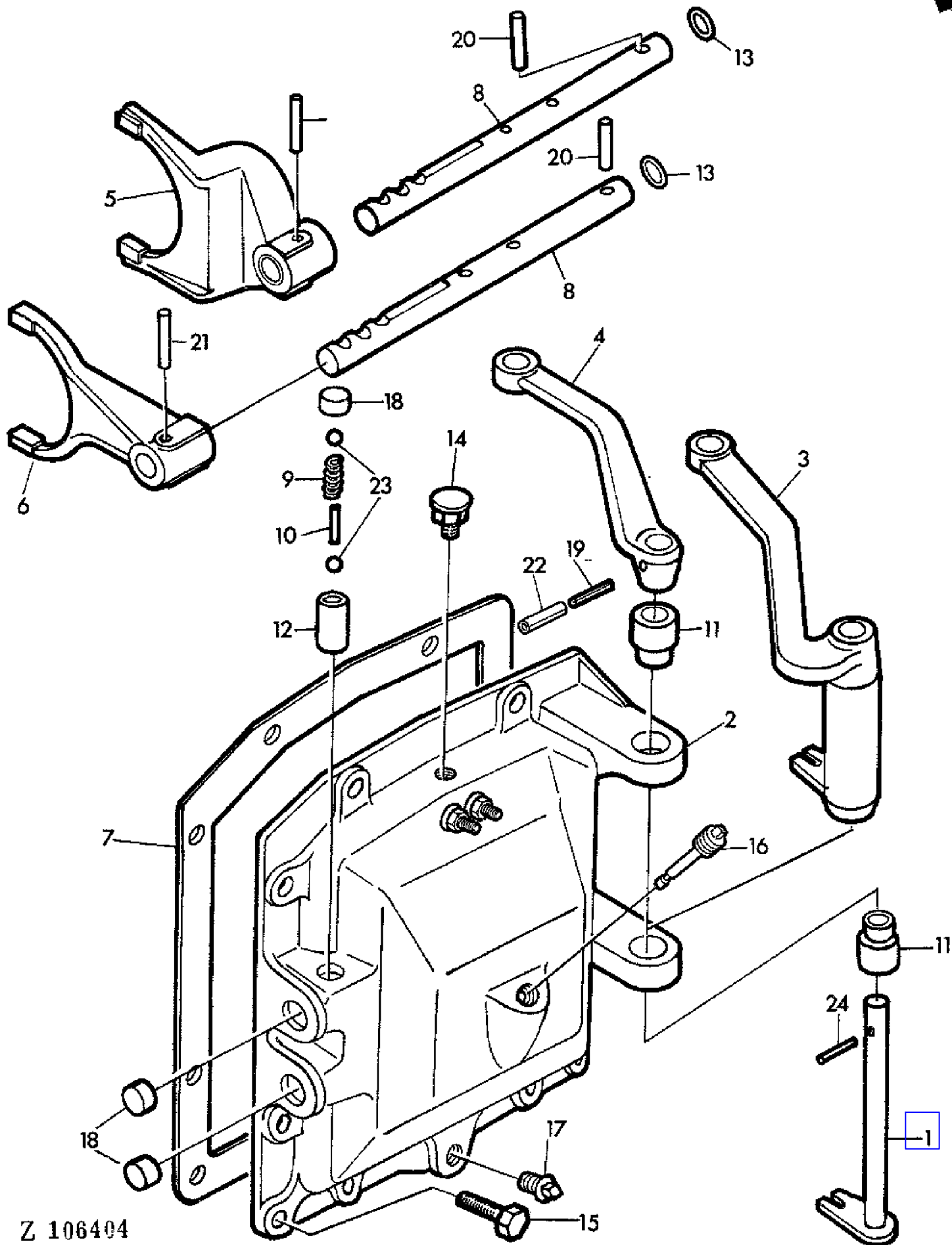
RESERVOIR A CARBURANT
KRAFTSTOFFTANK
SERBATOIO COMBUSTIBILE
DEPOSITO DE COMBUSTIBLE
BRAENSLETANK

KEY	PART NO.	PART NAME	QTY	SERIAL NO.	9 9 3 4 0 0	REMARKS
1	AZ19882	FUEL TANK	1		X X	ASSY, INCL KEYS 2,3
2	99M7013	FILLER CAP	1		X X	(SUB FOR AZ20602)
3	Z31447	HOSE	1		X X	LGTH = 570 MM
4	AZ32294	STRAINER	1		X X	(SUB FOR AZ14387)
5	24M7054	WASHER	2		X	6,4 MM
6	Z32033	FITTING	1		X X	(SUB FOR Z31220)
7	51M7013	RING	3		X X	12 X 17 MM
8	Z30535	FITTING	1		X X	
9	38M4355	FITTING	1		X X	6 MM
10	19M7385	CAP SCREW	2		X X	M10 X 70
11	Z21659	WASHER	2		X X	
12	Z21660	PIN	2		X X	
13	Z21661	PIN	2		X X	
14	Z21658	BAND	2		X X	
15	Z31881	HOLDER	2		X X	
16	Z21918	ANGLE	2		X X	
17	19M7163	CAP SCREW	20		X X	M8 X 25
18	12M7008	LOCK WASHER	20		X X	8 MM
19	14M7029	NUT	20		X X	M8
20	Z31879	PLATE	4		X X	
21	Z31219	SUPPORT	1		X	
22	Z31882	BRACE	1		X	
23	Z21240	CLAMP	4		X X	
24	Z31221	HOSE	2		X X	LGTH = 2100 MM
25	Z22063	CLAMP	4		X X	
26	Z22060	ANGLE	2		X X	
27	Z22564	HOSE	2		X X	
28	21M7088	SCREW	1		X	M6 X 12
29	Z23504	HOSE	1		X X	
30	Z22561	CLAMP	1		X X	
31	19M6614	CAP SCREW	4		X X	M6 X 12
32	12M7012	LOCK WASHER	6		X X	6 MM
33	14M7027	NUT	6		X X	M6
34	AZ19881	RUST INHIBITOR	1		X X	(A)
35	Z32351	ANGLE	AR		X	
36	19M7375	CAP SCREW	1		X	M6 X 18

(A) PRESERVATION BAG

SACHET DE PRODUIT ANTICORROSION
KONSERVIERUNGSBEUTEL
SACHETTO DI SOSTANZA CONTRO LA CORROSIONE
BOLSA CON LIQUIDO ANTICORROSIVO
SKYDDSPASE

(1B02) GEAR SHIFTING PARTS
MECANISME DE COMMANDE
GANGSCHALTUNG
PARTI DEL CAMBIO
MECANISMOS DE CAMBIO
VAXELDETALJER

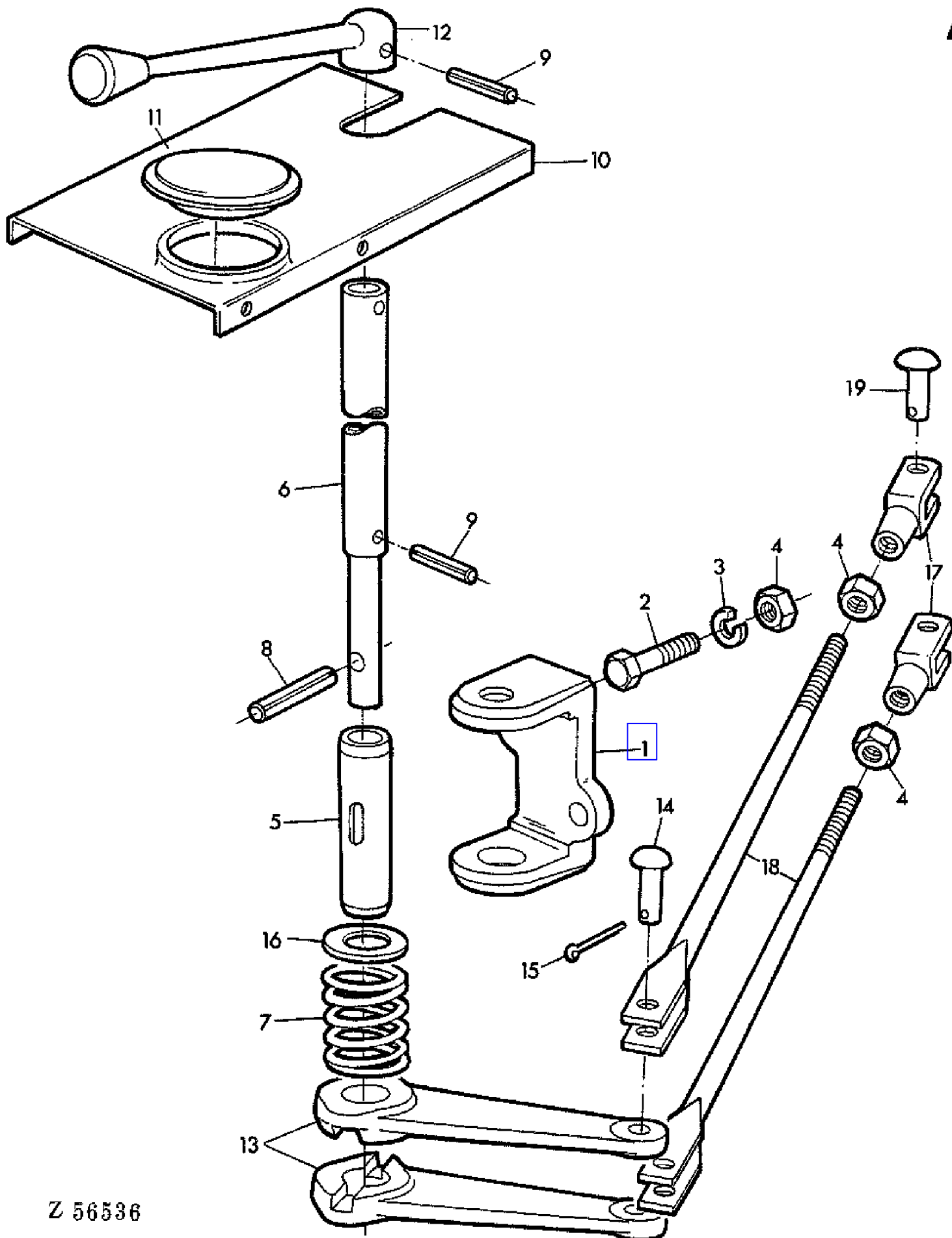


Z 106404

(1B02) GEAR SHIFTING PARTS
MECANISME DE COMMANDE
GANGSCHALTUNG
PARTI DEL CAMBIO
MECANISMOS DE CAMBIO
VAXELDETALJER

KEY	PART NO.	PART NAME	QTY	SERIAL NO.	9 9 3 4 0 0	REMARKS
1	AZ20485	SHAFT	1		XX	
2	AZ32757	COVER	1		XX	(SUB FOR Z10339)
3	Z10340	LEVER	1		X	
	Z10340	LEVER	1		X	
	Z10826	LEVER	1	941031	X	
4	Z10799	LEVER	1		X	
	Z10799	LEVER	1		X	
	Z10823	LEVER	1	941031	X	
5	Z10655	SHIFTER	1		XX	
	Z10656	SHIFTER	1		XX	
7	Z24575	GASKET	1		XX	
8	Z24577	SHIFTER ROD	2		XX	
9	Z24580	COMPRESSION SPRING	1		XX	
10	Z24581	PIN	1		XX	
11	Z24583	BUSHING	2		XX	
12	Z27673	BUSHING	1		XX	
13	Z29066	O-RING	2		XX	
14	AH20868	BREATHER	1		XX	
15	T22728	SCREW	10		XX	
16	AZ27794	PIPE PLUG	1		XX	(SUB FOR 15H237)
17	15H255	PIPE PLUG	1		XX	
18	30M6447	CAP	3		XX	
19	34M7062	SPRING PIN	1		XX	5 X 32 MM
20	34M7065	SPRING PIN	2		XX	5 X 32 MM
21	34H302	SPRING PIN	2		XX	
22	34H285	SPRING PIN	1		XX	
23	405RH	BALL	2		XX	
24	34H104	SPRING PIN	1		XX	

(1D04) GEAR SHIFTING PARTS
MECANISME DE COMMANDE
GANGSCHALTUNG
PARTI DEL CAMBIO
MECANISMOS DE CAMBIO
VAEXELDETALJER

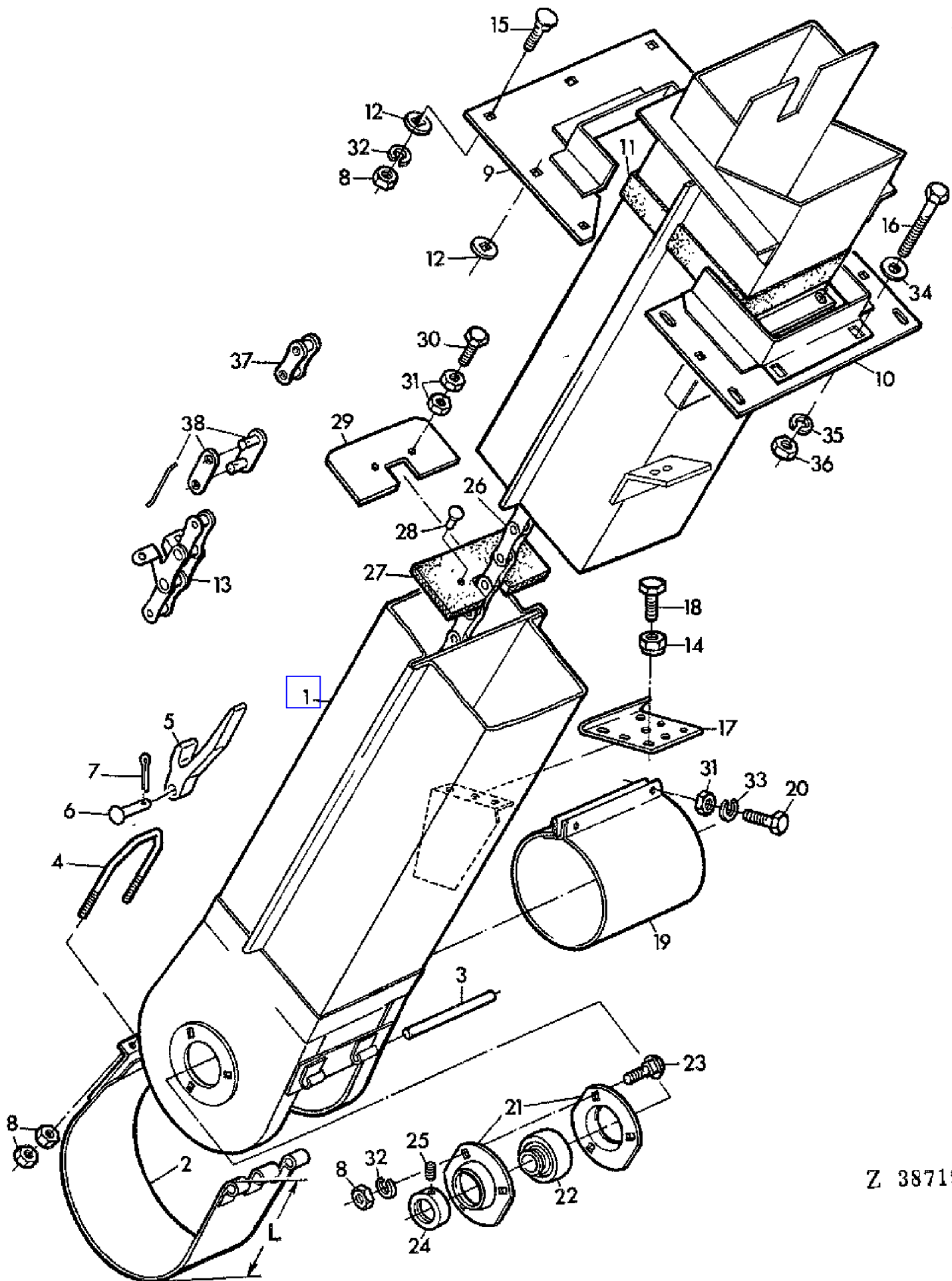


Z 56536

(1D04) GEAR SHIFTING PARTS
MECANISME DE COMMANDE
GANGSCHALTUNG
PARTI DEL CAMBIO
MECANISMOS DE CAMBIO
VAEXELDETALJER

KEY	PART NO.	PART NAME	QTY	SERIAL NO.	9 9 3 4 0 0	REMARKS
1	Z10693	GUIDE	1		X X	
2	19M7168	CAP SCREW	2		X X	M10 X 30
3	12M7013	LOCK WASHER	2		X X	10 MM
4	14M7140	NUT	4		X X	M10
5	Z25818	GUIDE	1		X X	
6	AZ32377	SHIFTER ROD	1		X X	(SUB FOR AZ14825)
7	Z25819	COMPRESSION SPRING	1		X X	
8	34M7054	SPRING PIN	1		X X	10 X 50 MM
9	34M7041	SPRING PIN	2		X X	6 X 36 MM
10	Z35757	COVER	1		X X	(ORD W/ Z33708) (SUB FOR Z30042)
11	Z33708	PLUG	1		X X	AR (SUB FOR T22569)
12	Z10387	GEARSHIFT LEVER	1		X X	
13	Z10385	LEVER	2		X	
	Z10385	LEVER	2		X	
	Z10824	LEVER	2	941031	X	
14	Z24486	PIN	2		X X	
15	11M7011	COTTER PIN	4		X X	3 X 15 MM
16	24M7052	WASHER	1		X X	25 MM
17	Z24492	YOKE	2		X X	
18	AZ14823	ROD	2	- 941030	X	
	AZ14823	ROD	2		X	
19	AZ21172	ROD	2	941031	X	
	Z24481	PIN	2		X X	

(2E02) GRAIN ELEVATOR
ELEVATEUR DE GRAIN PROPRE
KOERNERELEVATOR
ELEVATORE DEL GRAND PULITO
ELEVADOR DE GRANO LIMPIO
SAEDESELEVATOR

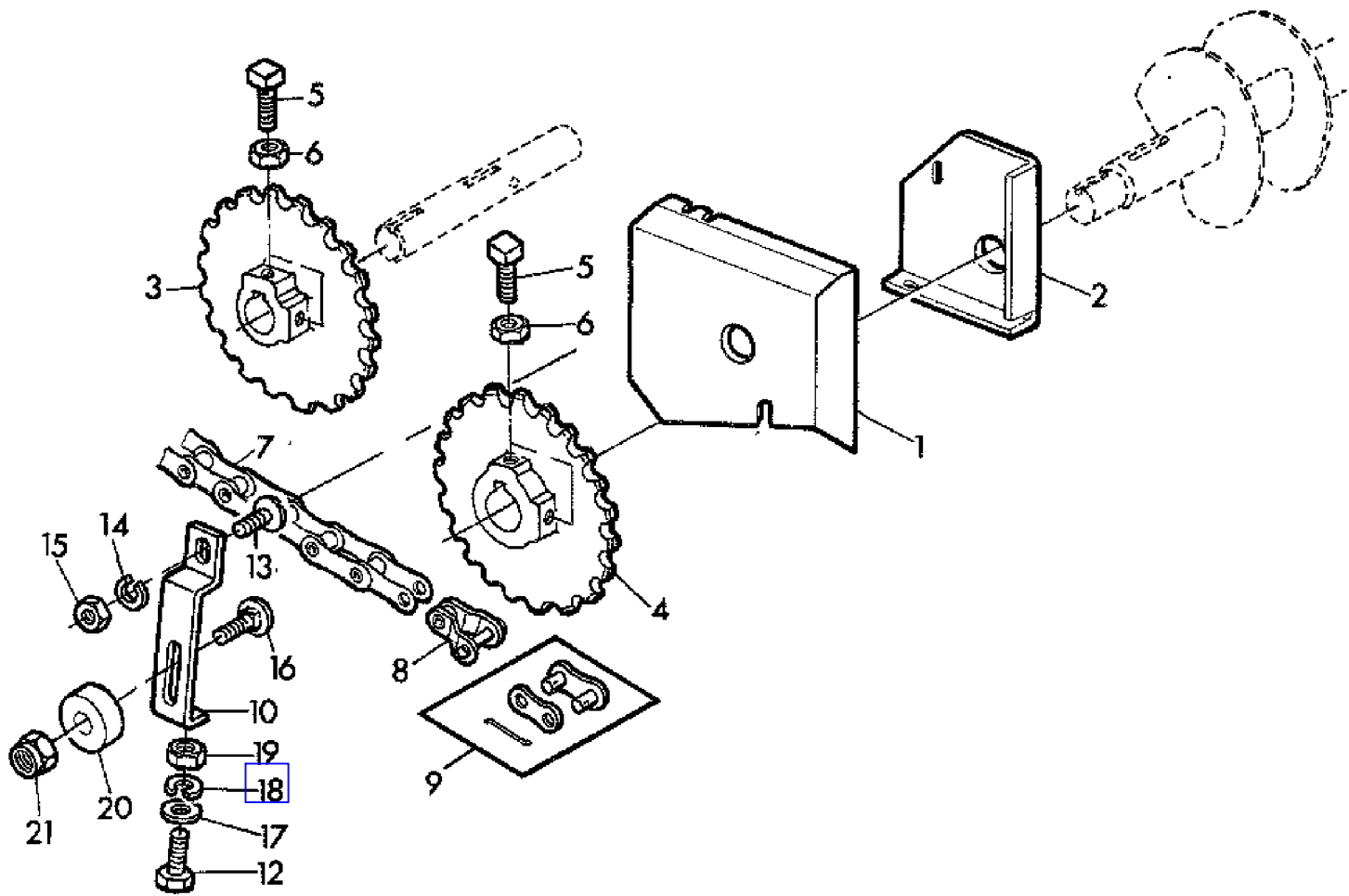


Z 38719

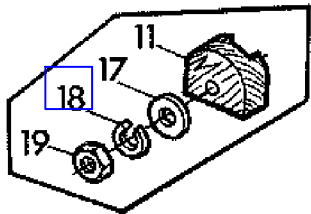
(2E02) GRAIN ELEVATOR
ELEVATEUR DE GRAIN PROPRE
KOERNERELEVATOR
ELEVATORE DEL GRAND PULITO
ELEVADOR DE GRANO LIMPIO
SAEDESELEVATOR

KEY	PART NO.	PART NAME	QTY	SERIAL NO.	9 9 3 4 0 0	REMARKS
1	AZ25447	HOUSING	1		X X	(ORD AZ25445) (SUB FOR AZ10293)
2	AZ25445	COVER	1		X X	AR, L = 150 MM
	AZ10314	COVER	1		X X	AR, L = 250 MM
3	Z20618	PIN	1		X X	
4	Z20619	U-BOLT	1		X X	
5	Z11406	LEVER	1		X X	(SUB FOR H11360)
6	Z21059	PIN	1		X X	
7	11M7009	COTTER PIN	1		X X	2 X 18 MM
8	14M7029	NUT	18		X X	M8
9	AZ10354	HOLDER	1		X X	
10	AZ10356	HOLDER	1		X X	
11	Z20768	GASKET	2		X X	
12	24M7039	WASHER	9		X X	9,5 MM
13	AL15480	LINK CHAIN	AR		X X	
14	14M7167	LOCK NUT	6		X X	M10
15	03M7054	BOLT	11		X X	M8 X 20
16	19M7328	CAP SCREW	2		X X	M10 X 70
17	Z20628	SHEET	1		X X	
18	19M7167	CAP SCREW	6		X X	M10 X 25
19	Z20739	EXTENSION	1		X X	
20	19M7286	CAP SCREW	2		X X	M6 X 25
21	P47232	PRESSED FLANGED HOUSING	2		X X	
22	JD39102	BALL BEARING	1		X X	
23	03M7090	BOLT	3		X X	M8 X 15
24	AZ10044	ECCENTRIC LOCKING COLLAR	1		X X	ASSY, INCL KEY 25
25	AZ19843	SET SCREW	1		X X	KIT
26	AZ10359	GATHERER CHAIN	1		X X	ASSY, INCL KEYS 27,28
27	Z20780	PADDLE	38		X X	
28	Z20779	RIVET	76		X X	
29	Z20727	PADDLE	AR		X X	
30	19M7077	CAP SCREW	6		X X	M6 X 20
31	14M7027	NUT	14		X X	M6
32	12M7008	LOCK WASHER	14		X X	8 MM
33	12M7012	LOCK WASHER	2		X X	6 MM
34	24M7040	WASHER	6		X X	11 MM
35	12M7013	LOCK WASHER	2		X X	10 MM
36	14M7140	NUT	6		X X	M10
37	AL15479	LINK	AR		X X	
38	AL15481	CHAIN LINK	AR		X X	

(2E06) GRAIN ELEVATOR-DRIVE WITH HOUSING
ENTRAINEMENT DE L'ELEVATEUR A GRAIN PROPRE ET BOITIER
KOERNERELEVATOR-ANTRIEB MIT GEHAEUSE
COMANDO CON ALLOGGIAMENTO DELL'ELEVATORE DEL GRANO
ACCIONAMIENTO DEL ELEVADOR DE GRANO CON CARCASA
SAEDESELEVATORDRIVNING MED HUS



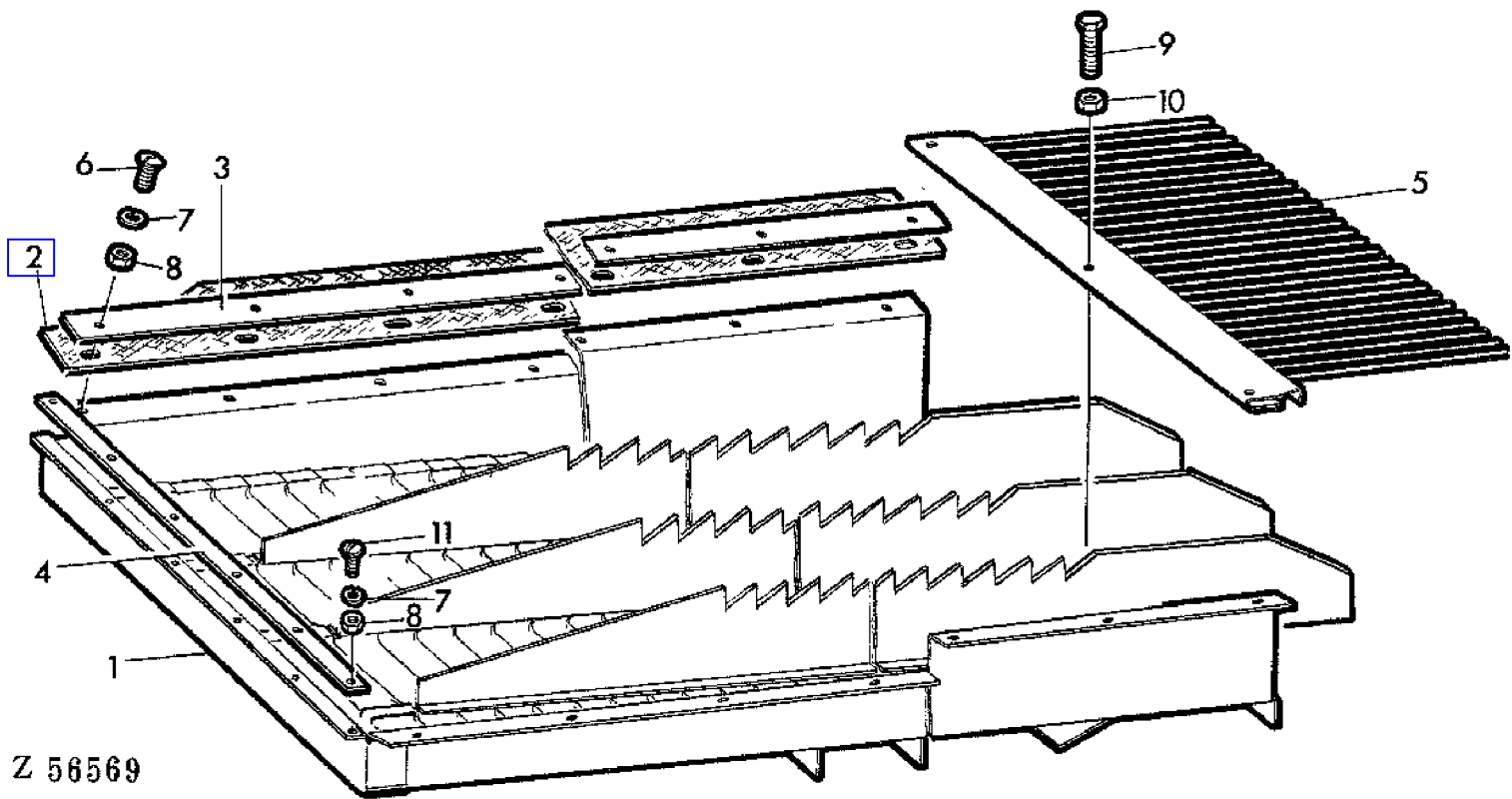
Z 106441



(2E06) GRAIN ELEVATOR-DRIVE WITH HOUSING
 ENTRAINEMENTE DEL L'ELEVATEUR A GRAIN PROPRE ET BOITIER
 KOERNERELEVATOR-ANTRIEB MIT GEHAEUSE
 COMANDO CON ALLOGGIAMENTO DELL'ELEVATORE DEL GRANO
 ACCIONAMIENTO DEL ELEVADOR DE GRANO CON CARCASA
 SAEDESELEVATORDRIVNING MED HUS

KEY	PART NO.	PART NAME	QTY	SERIAL NO.	9 3 0	9 4 0	REMARKS
1	AZ16626	PANEL	1		X	X	
2	Z30534	PANEL	1		X	X	
3	Z10117	CHAIN SPROCKET	1		X	X	Z = 16
4	Z10026	CHAIN SPROCKET	1		X		Z = 16
	Z10117	CHAIN SPROCKET	1	930251	X		Z = 16
	Z10026	CHAIN SPROCKET	1		X		Z = 16
5	Z10117	CHAIN SPROCKET	1	940581	X		Z = 16
6	Z26249	SET SCREW	5		X	X	10 X 22 MM (SUB FOR Z23925)
6	14M7152	NUT	4		X	X	M10
7	AZ32090	ROLLER CHAIN	1		X	X	L = 34, INCL KEYS 8,9 (SUB FOR AZ10366)
8	AL15953	LINK	1		X	X	
9	AL15954	LINK	1		X	X	
10	Z20682	HOLDER	1		X	X	
11	Z27775	TIGHTENER	1		X	X	(SUB FOR Z20418)
12	19M7139	CAP SCREW	1		X	X	M8 X 20
13	21M7085	SCREW	2		X	X	M6 X 20
14	12M7012	LOCK WASHER	2		X	X	6 MM
15	14M7027	NUT	2		X	X	M6
16	03M7095	BOLT	1		X	X	M8 X 60
17	24M7036	WASHER	2		X	X	9 MM
18	12M7008	LOCK WASHER	2		X	X	8 MM
19	14M7029	NUT	2		X	X	M8
20	Z41483	TIGHTENER	1		X	X	(SUB FOR Z27775)
21	14M7166	LOCK NUT	1		X	X	M8

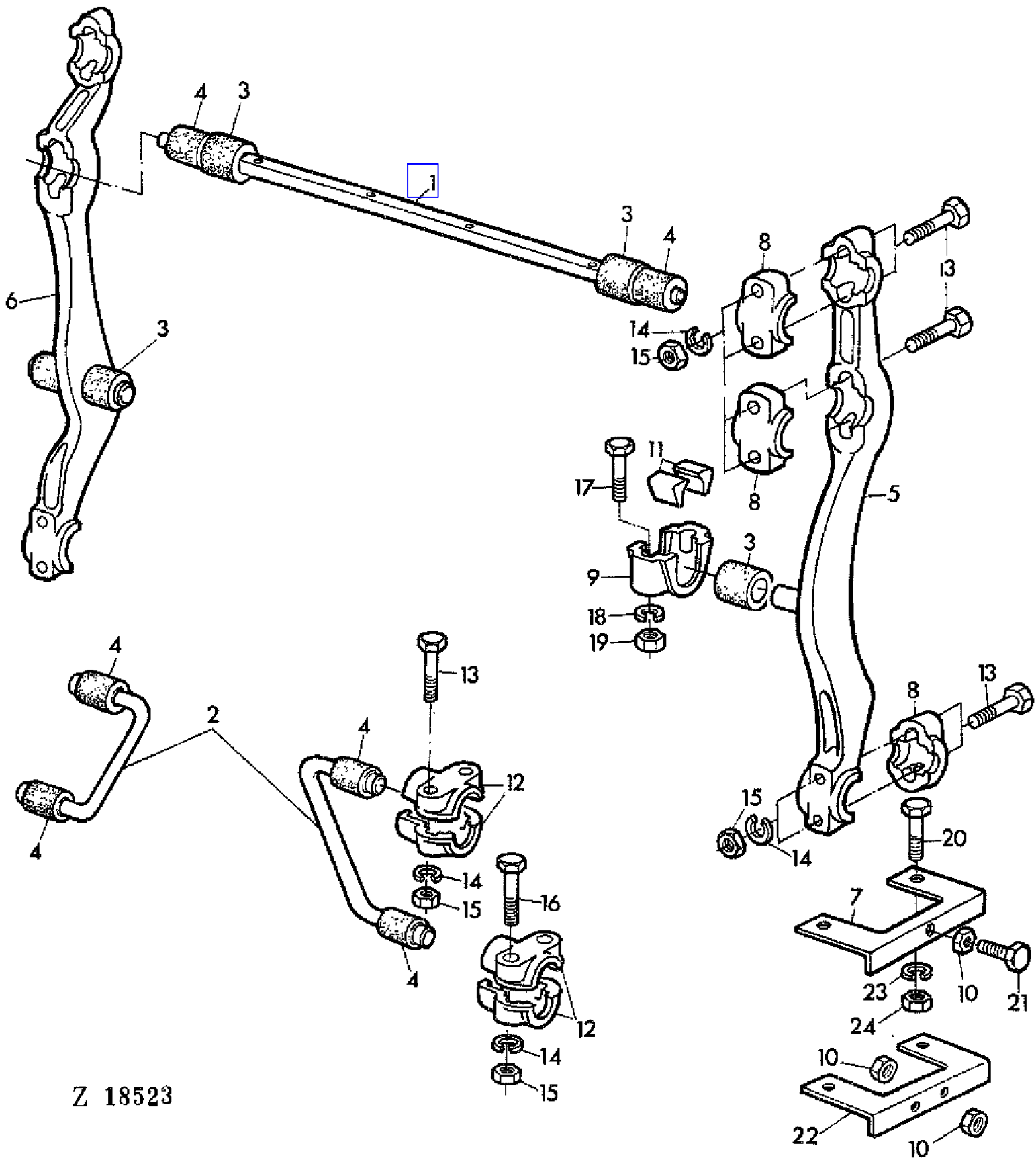
(2D09) GRAIN PAN
TABLE A GRAINS
ZUFUEHRBODEN
PIANO PREPARATORE
TRANSPORTADOR DE GRANO
SAEDESPLAN



(2D09) GRAIN PAN
TABLE A GRAINS
ZUFUEHRBODEN
PIANO PREPARATORE
TRANSPORTADOR DE GRANO
SAEDESPLAN

KEY	PART NO.	PART NAME	QTY	SERIAL NO.	9 9 3 4 0 0	REMARKS
1	AZ10152	GRAIN PAN	1		XX	
2	Z20307	GASKET	2		XX	
3	Z20308	REINFORCEMENT	2		XX	
4	Z21422	REINFORCEMENT	1		XX	
5	AZ10154	EXTENSION	1		XX	
6	21M7031	SCREW	28		XX	M6 X 15
7	12M7012	LOCK WASHER	34		XX	6 MM
8	14M7027	NUT	34		XX	M6
9	19M7298	CAP SCREW	3		XX	M8 X 35
10	14M7166	LOCK NUT	3		XX	M8
11	19M7159	CAP SCREW	6		XX	M6 X 15

(2D19) GRAIN PAN SHAFT AND SUPPORT
SUPPORT ET ARBRE DE LA TABLE DE RETOUR DU GRAIN
WELLE UND AUFHAENGER FUER STAFFELBODEN
ALBERO E SUPPORTO DEL PIANO PREPARATORE
EJE Y SOPORTE DEL TRANSPORTADOR DE GRANO
SALLKASSAXEL OCH UPPHAENGNING

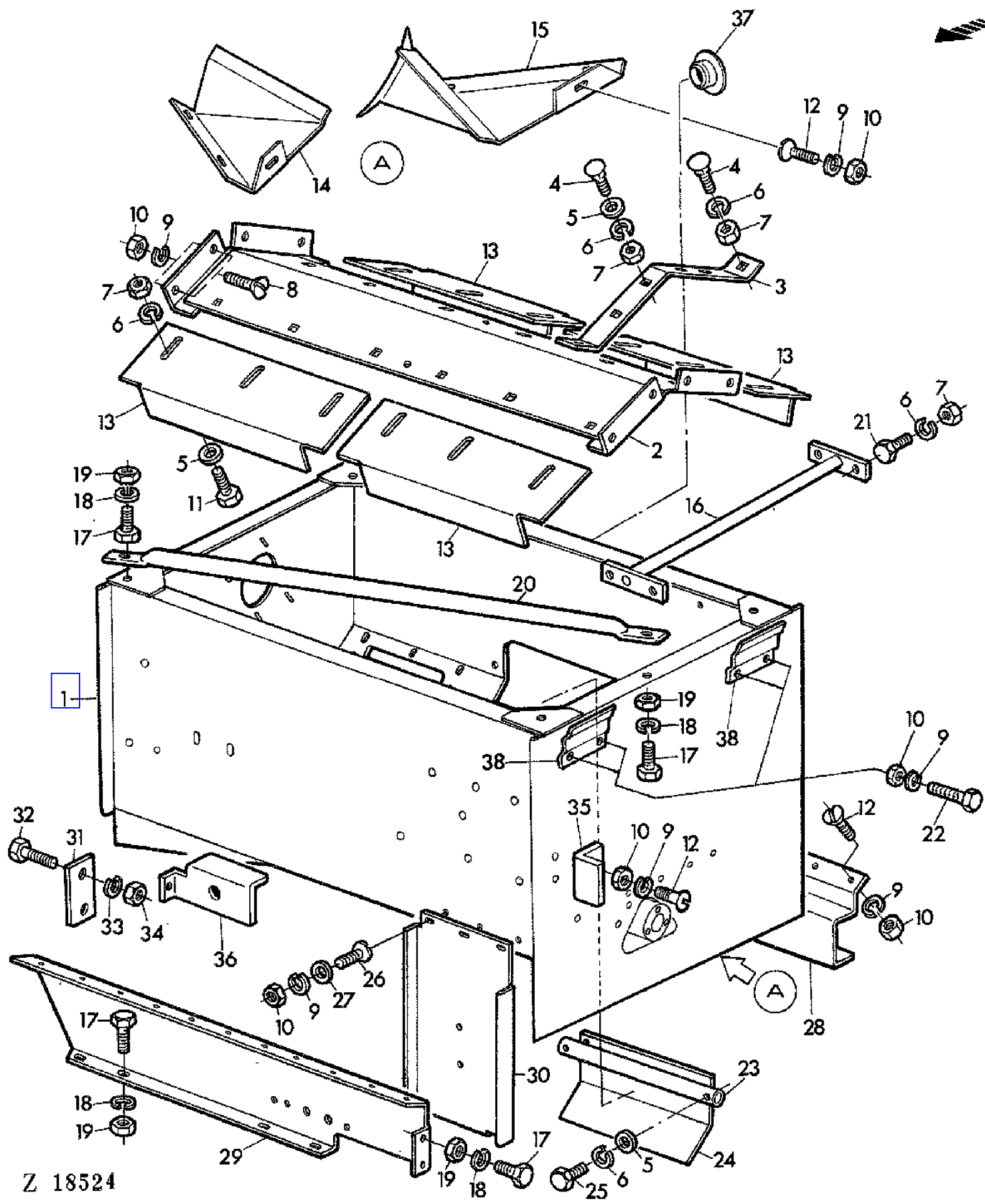


Z 18523

(2D19) GRAIN PAN SHAFT AND SUPPORT
 SUPPORT ET ARBRE DE LA TABLE DE RETOUR DU GRAIN
 WELLE UND AUFHAENGER FUER STAFFELBODEN
 ALBERO E SUPPORTO DEL PIANO PREPARATORE
 EJE Y SOPORTE DEL TRANSPORTADOR DE GRANO
 SALLKASSAXEL OCH UPPHAENGNING

KEY	PART NO.	PART NAME	QTY	SERIAL NO.	9 9 3 4 0 0	REMARKS
1	AZ14697	SHAFT	1		X X	ASSY, INCL KEYS 3,4
2	AZ10095	HANGER	2		X X	ASSY, INCL KEY 4
3	P49545	BUSHING	4		X X	
4	P42100	BUSHING	6		X X	
5	AZ10146	HANGER	1		X X	LH, ASSY, INCL KEY 3 (SUB FOR Z10009)
6	AZ10147	HANGER	1		X X	RH, ASSY, INCL KEY 3 (SUB FOR Z10023)
7	AZ19087	GUIDE	2		X X	AR
8	PK1043H	HOUSING	6		X X	
9	Z10418	QUILL	2		X X	
10	14M7154	NUT	4		X X	M12
11	H10613	WEDGE	4		X X	
12	PK1103H	BEARING	8		X X	
13	19M7184	CAP SCREW	22		X X	M8 X 55
14	12M7008	LOCK WASHER	20		X X	8 MM
15	14M7029	NUT	20		X X	M8
16	19M7185	CAP SCREW	4		X X	M8 X 60
17	19M7388	CAP SCREW	4		X X	M12 X 55
18	12M7014	LOCK WASHER	8		X X	12 MM
19	14M7031	NUT	8		X X	M12
20	19M7381	CAP SCREW	1		X X	M10 X 28
21	19M7387	CAP SCREW	1		X X	M12 X 40
22	Z33258	GUIDE	2		X X	AR
23	12M7013	LOCK WASHER	4		X X	10 MM
24	14M7140	NUT	4		X X	M10

(2E17) GRAIN TANK
RESERVOIR A GRAINS
KORNTANK
SERBATOIO DEL GRANO
TANQUE DE GRANO
SAEDESTANK

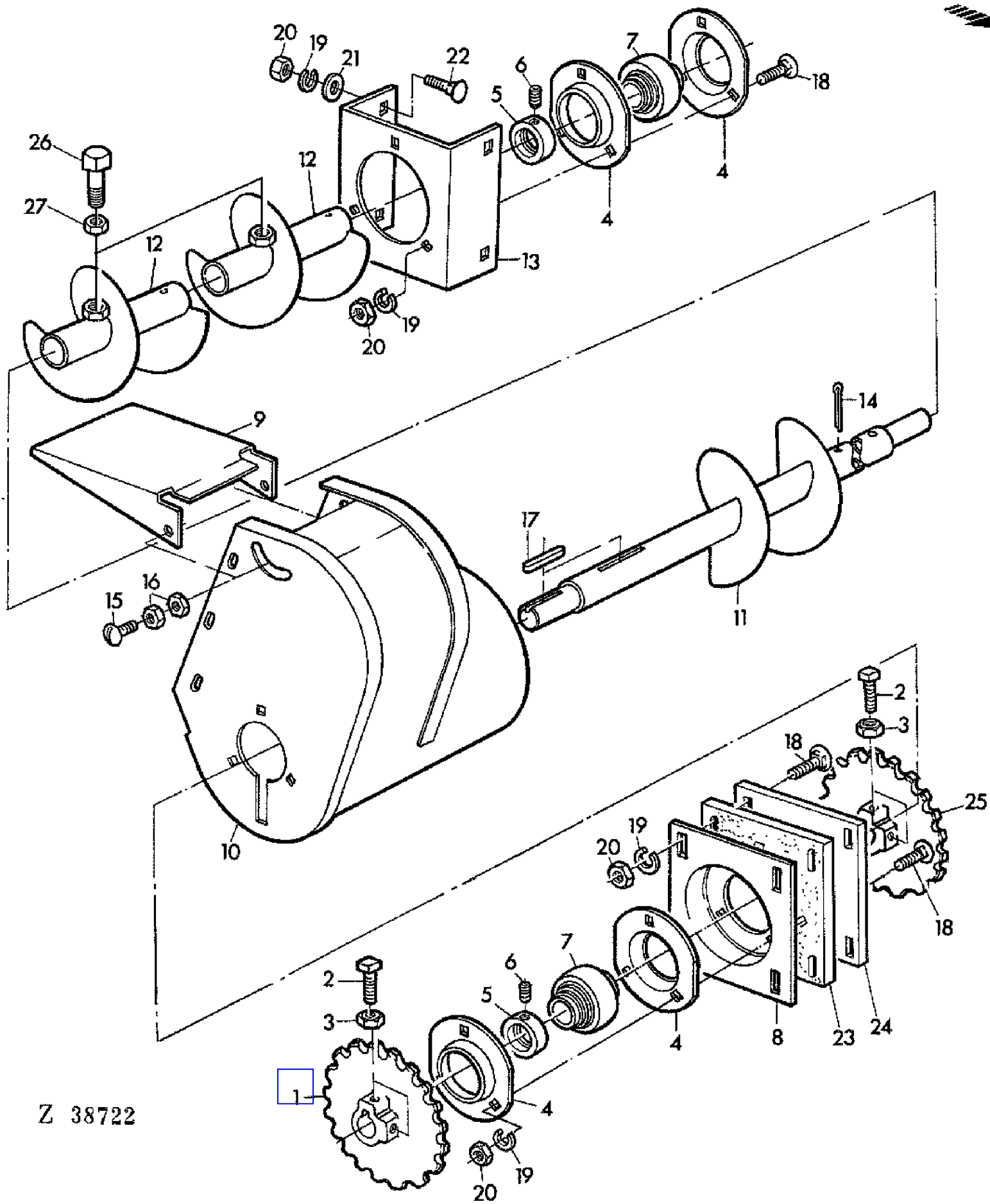


Z 18524

(2E17) GRAIN TANK
RESERVOIR A GRAINS
KORNTANK
SERBATOIO DEL GRANO
TANQUE DE GRANO
SAEDESTANK

KEY	PART NO.	PART NAME	QTY	SERIAL NO.	9 9 3 4 0 0	REMARKS
1	AZ19612	TANK	1		X X	(ORD W/ JD39103, (2) P45502, (6) Z22126, Z32410)
2	AZ15740	COVER	1		X X	
3	Z21051	HOLDER	1		X X	
4	03M7054	BOLT	11		X X	M8 X 20
5	24M7036	WASHER	16		X X	9 MM
6	12M7008	LOCK WASHER	33		X X	8 MM
7	14M7029	NUT	31		X X	M8
8	21M7127	SCREW	4		X X	M8 X 18
9	12M7012	LOCK WASHER	41		X X	6 MM
10	14M7027	NUT	41		X X	M6
11	03M7090	BOLT	12		X X	M8 X 16
12	21M7031	SCREW	48		X X	M6 X 12
13	Z22036	ADJUSTER	4		X X	
14	Z27927	COVER	1		X X	FRONT
15	Z27926	COVER	1		X X	REAR
16	AZ20608	BRACE	1		X X	
17	19M7166	CAP SCREW	8		X X	M10 X 20
18	12M7013	LOCK WASHER	8		X X	10 MM
19	14M7140	NUT	8		X X	M10
20	Z21047	BRACE	1		X X	
21	19M7162	CAP SCREW	8		X X	M8 X 15
22	19M6614	CAP SCREW	4		X X	M6 X 12
23	Z25586	HOLDER	1		X X	
24	Z25585	COVER	1		X X	
25	19M7163	CAP SCREW	2		X X	M8 X 25
26	21M7083	SCREW	3		X X	M6 X 10
27	L19100	WASHER	3		X X	
28	Z21097	BRACKET	1		X X	REAR
29	Z21096	BRACKET	1		X X	FRONT
30	Z27930	REINFORCEMENT	1		X X	
31	Z22026	PLATE	1		X X	
32	19M7285	CAP SCREW	1		X X	M12 X 30
33	12M7014	LOCK WASHER	1		X X	12 MM
34	14M7031	NUT	1		X X	M12
35	Z31316	SUPPORT	1		X X	
36	AZ18558	SUPPORT	1		X X	
37	Z31473	PLUG	AR		X X	OD = 7 MM
38	Z31472	PLUG	AR		X X	OD = 9,5 MM
	Z32678	HOLDER	2		X X	

(2E19) GRAIN TANK DISTRIBUTING AUGER WITH HOUSING
VIS DE REPARTITION ET BOITIER
VERTEILERSCHNECKE MIT GEHAEUSE
COCLEA RIPARTITRICE E ALLOGGIAMENTO
SINFIN DISTRIBUIDOR DE GRANO CON CARCASA
MATNINGSSKRUV OCH HUS



Z 38722

(2E19) GRAIN TANK DISTRIBUTING AUGER WITH HOUSING
VIS DE REPARTITION ET BOITIER
VERTEILERSCHNECKE MIT GEHAEUSE
COCLEA RIPARTITRICE E ALLOGGIAMENTO
SINFIN DISTRIBUIDOR DE GRANO CON CARCASA
MATNINGSSKRUV OCH HUS

KEY	PART NO.	PART NAME	QTY	SERIAL NO.	9 9 3 4 0 0	REMARKS
1	Z10117	CHAIN SPROCKET	1		X X	Z = 16
2	Z26249	SET SCREW	2		X X	10 X 22 MM (SUB FOR Z23925)
3	14M7152	NUT	2		X X	M10
4	P47232	PRESSED FLANGED HOUSING	4		X X	
5	AZ10044	ECCENTRIC LOCKING COLLAR	2		X X	
6	AZ19843	SET SCREW	2		X X	KIT
7	JD39105	BALL BEARING	2		X X	
8	Z20760	BRACKET	1		X X	RH
9	Z20683	COVER	1		X X	
10	AZ10347	CASE	1		X X	
11 AZ20946	AUGER AUGER AUGER	1 1 1	930251	- 930250 -	X X X (ORD AZ20946, Z10117)
12 AZ20946 AZ31512	AUGER AUGER FLIGHT	1 1 3	940581	- 940580 -	X X X X (ORD AZ20946, Z10117) (SUB FOR AZ10353, AZ28895)
13	Z20763	BRACKET	1		X X	LH
14	11M7032	COTTER PIN	3		X X	5 X 55 MM
15	21M7031	SCREW	2		X X	6 X 15 MM
16	14M7027	NUT	4		X X	M6
17	49M4108	SHAFT KEY	2		X X	8 X 7 X 32 MM
18	03M7054	BOLT	10		X X	M8 X 20
19	12M7008	LOCK WASHER	14		X X	8 MM
20	14M7029	NUT	14		X X	M8
21	24M7036	WASHER	4		X X	9 MM
22	03M7090	BOLT	4		X X	M8 X 15
23	Z20614	GASKET	1		X X	
24	Z20198	HOLDER	1		X X	
25	Z10117	CHAIN SPROCKET	1	940581	-	X
26	Z10117 Z32433	CHAIN SPROCKET SET SCREW	1 AR	930251	-	X X X
27	14M7152	NUT	AR		X X	M10

(2E25) GRAIN TANK UNLOADING AUGER

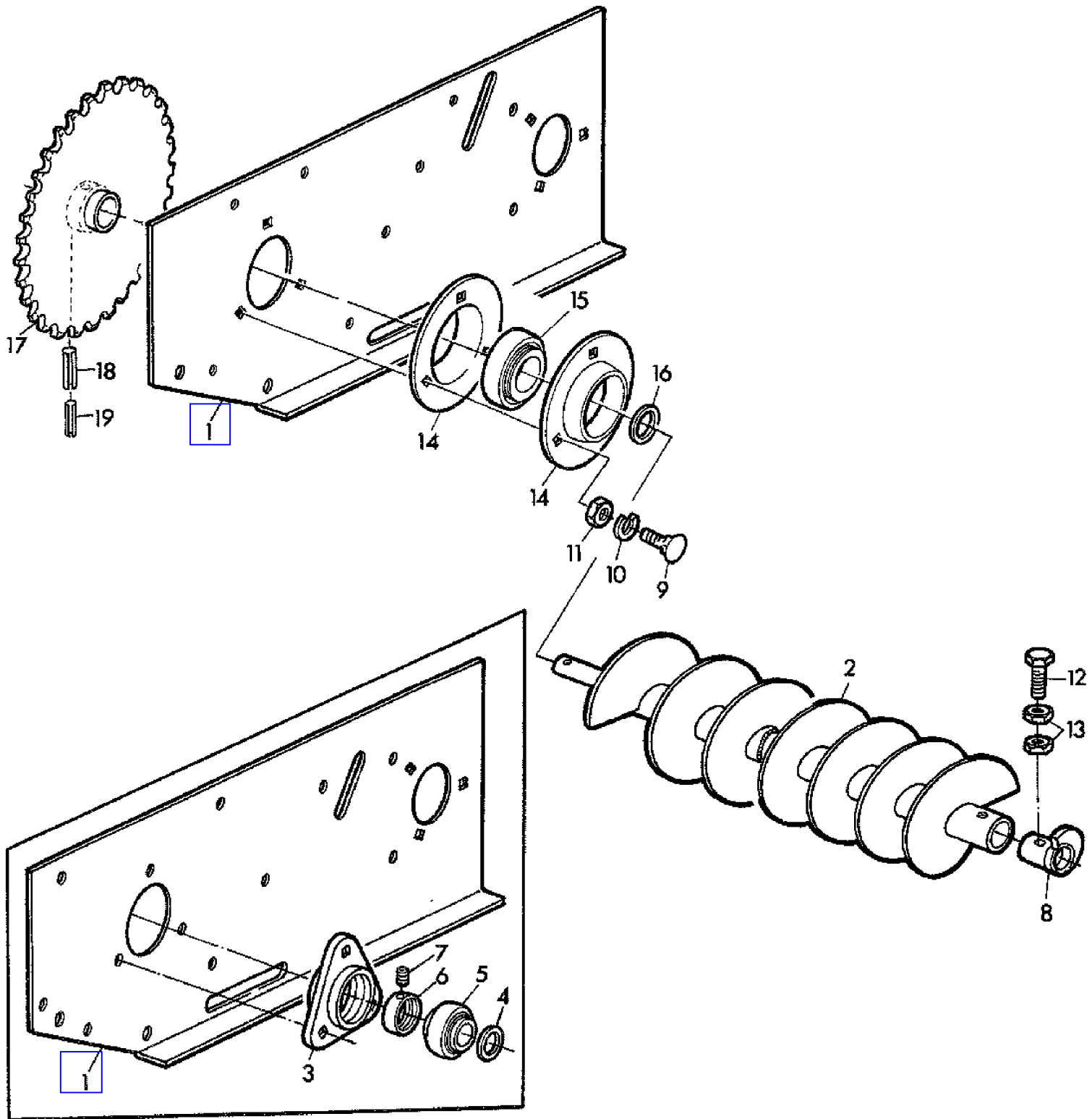
VIS DE VIDANGE

ENTLEERSCHNECKE

COCLEA DI SCARICO DEL SERBATOIO DEL GRANO

SIN FIN DESCARGA DEL TANQUE DE GRANO

SPANNMALSTANKENS AVLASTNINGSSKRUV



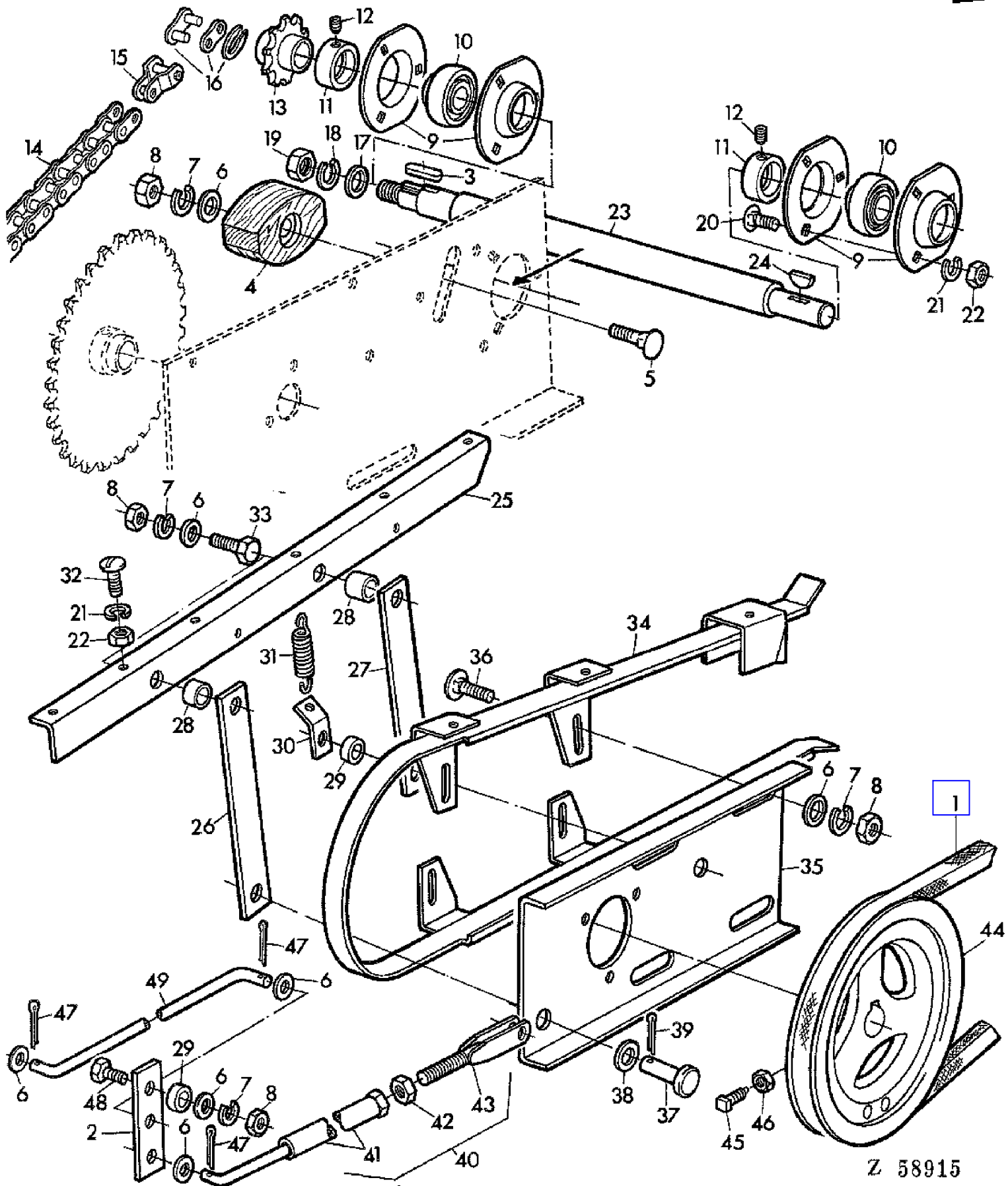
Z 58914

(2E25) GRAIN TANK UNLOADING AUGER

VIS DE VIDANGE
 ENTLLEERSCHNECKE
 COCLEA DI SCARICO DEL SERBATOIO DEL GRANO
 SIN FIN DESCARGA DEL TANQUE DE GRANO
 SPANNMALSTANKENS AVLASTNINGSSKRUV

KEY	PART NO.	PART NAME	QTY	SERIAL NO.		9 9 3 4 0 0	REMARKS
1	Z21063	BRACKET	1			X	RH
	Z21063	BRACKET	1		- 941030	X	RH
	Z32410	BRACKET	1	941031	-	X	RH
2	AZ18794	AUGER	1		- 020421	X X	(ORD AZ28800 W/ (2) 14M7167, 19M7188)
	AZ28800	AUGER	1	020422	-	X X	
3	Z10237	FLANGE	1		- 941030	X	
4	Z10237	FLANGE	1			X	
	24M7110	WASHER	1			X	30 MM
	24M7110	WASHER	1		- 941030	X	30 MM
5	JD39106	BALL BEARING	1		- 941030	X	
	JD39106	BALL BEARING	1			X	
6	AZ10045	ECCENTRIC LOCKING COLLAR	1		- 941030	X	INCL KEY 7
7	AZ10045	ECCENTRIC LOCKING COLLAR	1			X	INCL KEY 7
	AZ19844	SET SCREW	1			X	KIT
	AZ19844	SET SCREW	1		- 941030	X	KIT
8	Z10376	DRIVER	1		- 020421	X X	(ORD Z11261 W/ (2) 14M7167, 19M7180)
	Z11261	DRIVER	1	020422	-	X X	
9	03M7017	BOLT	3			X X	M10 X 25
10	12M7013	LOCK WASHER	3			X X	10 MM
11	14M7140	NUT	3			X X	M10
12	19M7180	CAP SCREW	1			X X	M10 X 45
13	14M7167	LOCK NUT	2			X X	M10
14	Z38395	PRESSED FLANGED HOUSING	2	941031	-	X	(SUB FOR P45502)
15	JD39103	BALL BEARING	1	941031	-	X	
16	Z22126	WASHER	AR	941031	-	X	
17	AZ10494	CHAIN SPROCKET	1			X X	Z = 56
18	34M7054	SPRING PIN	1			X X	10 X 50 MM
19	34M7044	SPRING PIN	1			X X	6 X 50 MM

(2F02) GRAIN TANK UNLOADING-DRIVE
ENTRAINEMENT DE LA VIS DE VIDANGE
ENTLEERSCHNECKEN-ANTRIEB
COMANDO DELLA COCLEA DI SCARICO
ACCIONAMIENTO DEL SIN FIN DE DESCARGA DEL TANQUE DE GRANO
SPANNMALSTANKENS AVLASTNINGSSKRUV DREV



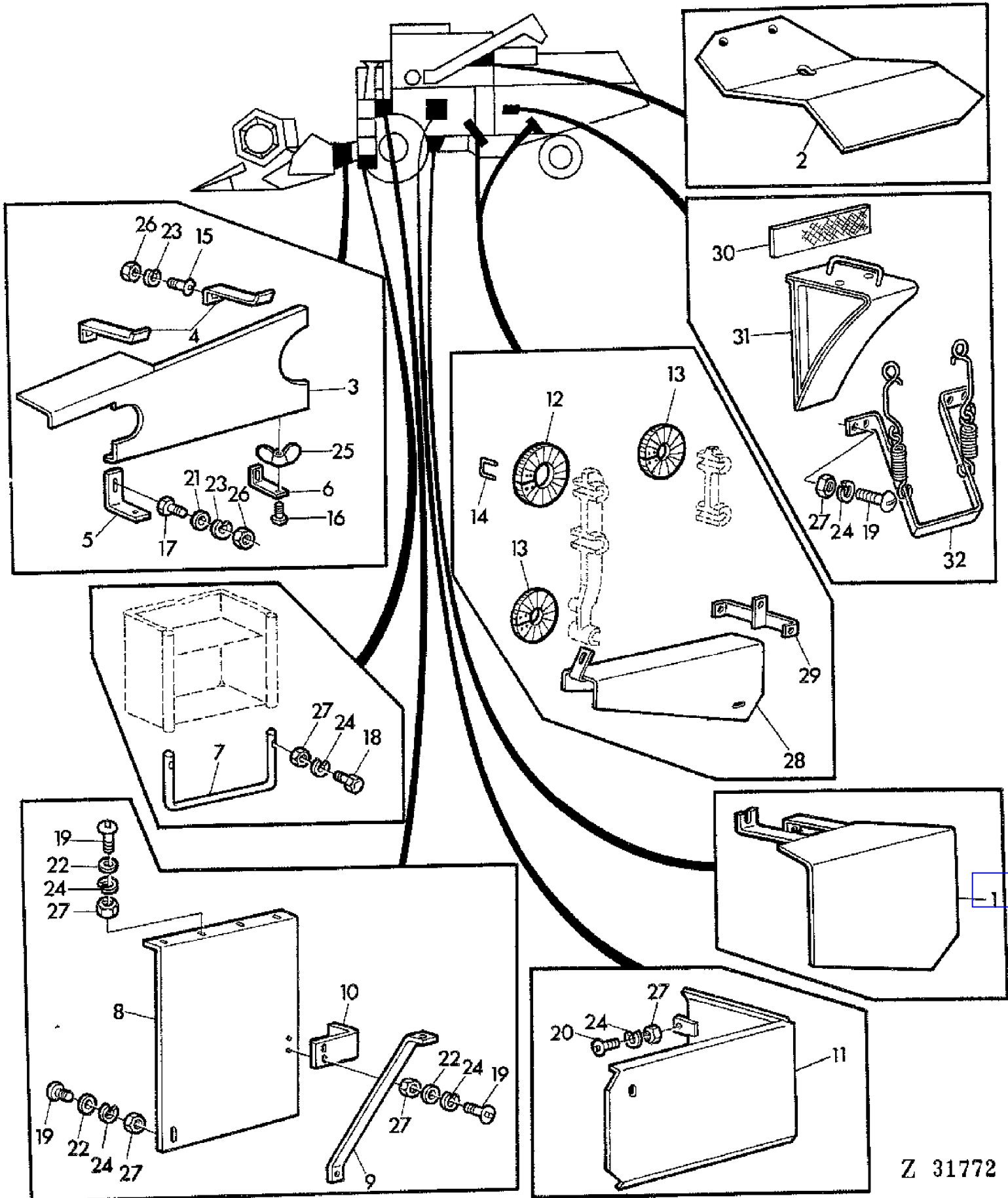
(2F02) GRAIN TANK UNLOADING-DRIVE
 ENTRAINEMENT DE LA VIS DE VIDANGE
 ENTLEERSCHNECKEN-ANTRIEB
 COMANDO DELLA COCLEA DI SCARICO
 ACCIONAMIENTO DEL SIN FIN DE DESCARGA DEL TANQUE DE GRANO
 SPANNMALSTANKENS AVLASTNINGSSKRUV DREV

KEY	PART NO.	PART NAME	QTY	SERIAL NO.	9 9 3 4 0 0	REMARKS
1	Z21400	BELT	1		XX	
2	Z21323	PLATE	1		XX	
3	49M6496	SHAFT KEY	1		XX	5 X 5 X 22 MM
4	Z21312	TIGHTENER	1		XX	
5	03M7104	BOLT	1		XX	10 X 70 MM
6	24M7040	WASHER	7		XX	M11
7	12M7013	LOCK WASHER	8		XX	10 MM
8	14M7140	NUT	8		XX	M10
9	P47232	PRESSED FLANGED HOUSING	4		XX	
10	JD39102	BALL BEARING	2		XX	
11	AZ10044	ECCENTRIC LOCKING COLLAR	2		XX	ASSY, INCL KEY 12
12	AZ19843	SET SCREW	2		XX	KIT
13	Z20104	CHAIN SPROCKET	1		XX	Z = 13
14	AZ10591	LINK CHAIN	1		XX	
15	AZ12881	LINK	1		XX	
16	AL14207	LINK	1		XX	
17	24M7038	WASHER	1		XX	14 MM
18	12M7014	LOCK WASHER	1		XX	12 MM
19	14M7031	NUT	1		XX	M12
20	03M7054	BOLT	6		XX	M8 X 20
21	12M7008	LOCK WASHER	12		XX	8 MM
22	14M7029	NUT	12		XX	M8
23	Z32403	SHAFT	1		X	(SUB FOR Z26814)
	Z32403	SHAFT	1	- 941030	X	(SUB FOR Z26814)
24	Z32702	SHAFT	1	941031 -	X	
25	26M4228	SHAFT KEY	1		XX	8 X 11 MM
	Z21324	ANGLE	1		XX	
26	Z32542	STRAP	1		XX	
27	Z32543	STRAP	1		XX	
28	Z21318	SPACER	2		XX	
29	Z21319	SPACER	2		XX	
30	Z22572	HOLDER	1		XX	(SUB FOR Z21322)
31	Z21325	EXTENSION SPRING	1		XX	
32	21M7160	SCREW	6		XX	M8 X 18
33	19M7167	CAP SCREW	2		XX	M10 X 25
34	AZ10592	GUIDE	1		XX	
35	Z21315	HOLDER	1		XX	LH
36	03M7017	BOLT	4		XX	M10 X 25
37	Z24485	PIN	1		XX	3/8" X 28 X 24 MM
38	24M7106	WASHER	1		XX	10,5 MM
39	11M7011	COTTER PIN	1		XX	3 X 15 MM
40	AZ19588	ADJUSTER	1		XX	ASSY, INCL KEYS 41,42,43
41	AZ20368	ADJUSTER	1		XX	
42	14M7140	NUT	1		XX	M10

(2F02) GRAIN TANK UNLOADING-DRIVE
ENTRAINEMENT DE LA VIS DE VIDANGE
ENTLEERSCHNECKEN-ANTRIEB
COMANDO DELLA COCLEA DI SCARICO
ACCIONAMIENTO DEL SIN FIN DE DESCARGA DEL TANQUE DE GRANO
SPANNMALSTANKENS AVLASTNINGSSKRUV DREV

KEY	PART NO.	PART NAME	QTY	SERIAL NO.	9 9 3 4 0 0	REMARKS
43	AZ19586	YOKE	1		X X	
44	Z10070	PULLEY	1		X X	
45	Z26249	SET SCREW	1		X X	10 X 22 MM (SUB FOR Z23925)
46	14M7152	NUT	1		X X	M10
47	11M7019	COTTER PIN	3		X X	4 X 20 MM
48	19M7168	CAP SCREW	1		X X	M10 X 30
49	Z21316	ROD	1		X X	

(2G03) GUARDS LEFT-HAND
GARANTS GAUCHE
SCHUTZE LINKS
DIFESAS SINISTRA
PROTECCIONS IZQUIERDO
SKYDDSS VANSTER

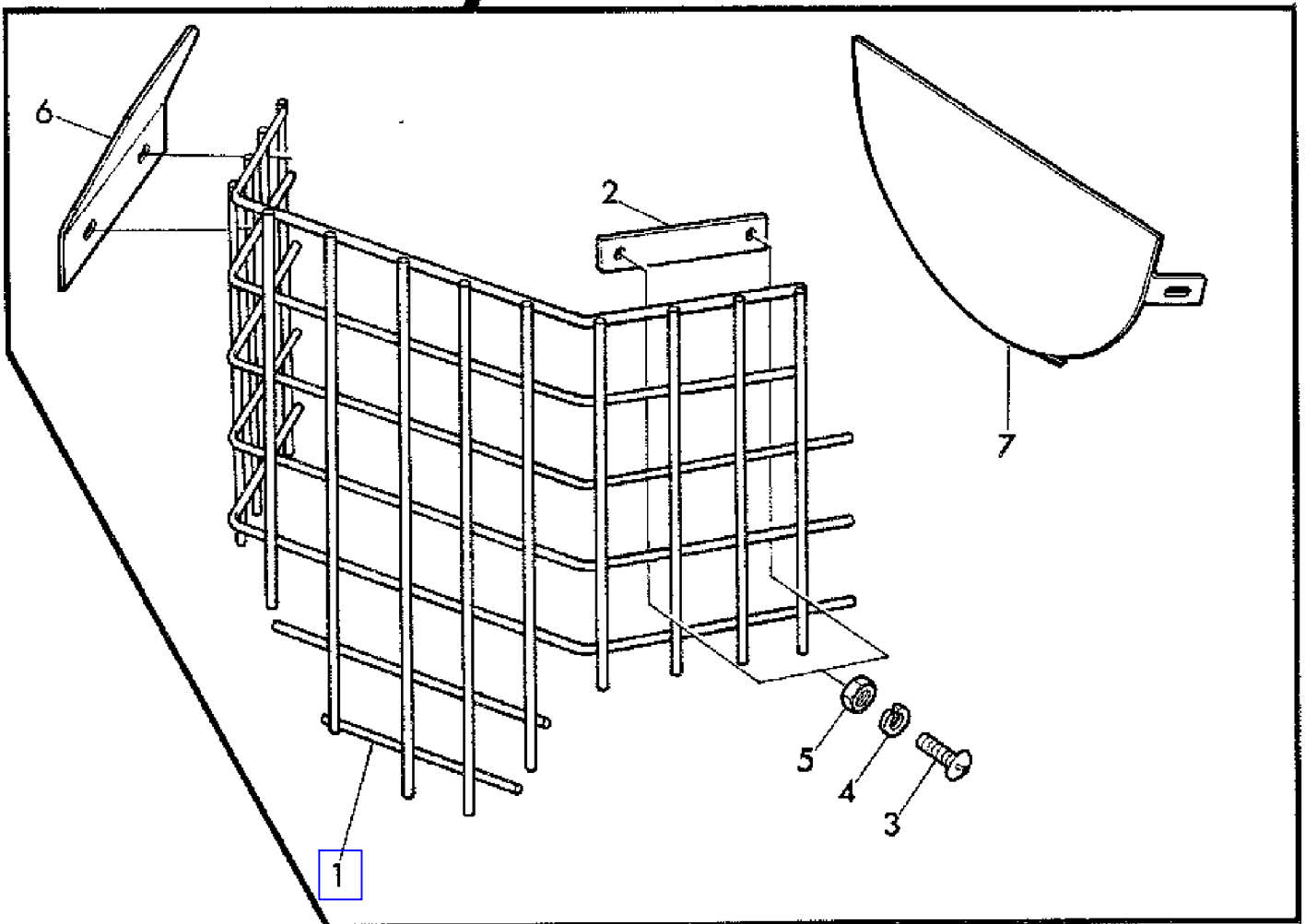
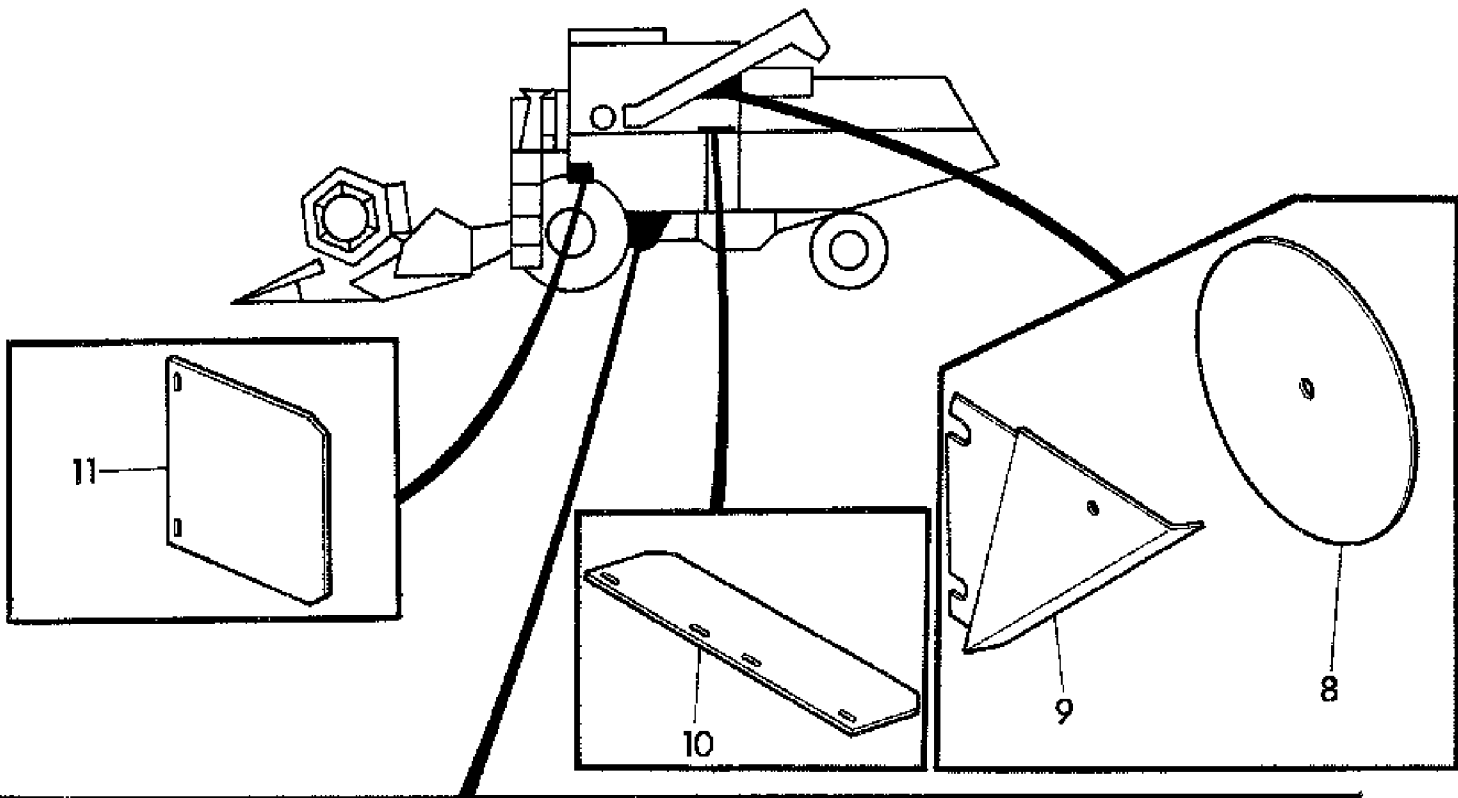


Z 31772

(2G03) GUARDS LEFT-HAND
 GARANTS GAUCHE
 SCHUTZE LINKS
 DIFESAS SINISTRA
 PROTECCIONS IZQUIERDO
 SKYDDSS VANSTER

KEY	PART NO.	PART NAME	QTY	SERIAL NO.	9 9 3 4 0 0	REMARKS
1	AZ13382	GUARD	1		X	
2	AZ13382 Z27194	GUARD GUARD	1 1	- 941030	X X X	
3	AZ22400	GUARD	1		X X	(SUB FOR Z30537)
4	Z30542	ANGLE	2		X X	
5	Z30540	ANGLE	1		X X	
6	Z30541	ANGLE	1		X X	
7	AZ21760 Z22623	BAIL BAIL	AR 1		X X X X X X	
8	Z22614	GUARD	1		X X	
9	Z22610	HOLDER	1		X X	
10	Z23858	ANGLE	1		X X	
11	AZ21036	GUARD	1		X	(SUB FOR Z27315)
12	Z22622	GUARD	2		X X	
13	Z22621	GUARD	4		X X	
14	Z91612	NAIL	AR		X X	(SUB FOR Z90003)
15	03M7017	BOLT	2		X X	M10 X 25
16	03M7084	BOLT	2		X X	M10 X 25
17	19M7168	CAP SCREW	2		X X	M10 X 30
18	19M7286	CAP SCREW	2		X X	M6 X 25
19	21M7094	SCREW	8		X X	M6 X 15
20	21M7031	SCREW	2		X X	M6 X 15
21	24M7040	WASHER	2		X X	11 MM
22	Z26250	WASHER	8		X X	6,4 MM
23	12M7013	LOCK WASHER	4		X X	10 MM
24	12M7012	LOCK WASHER	10		X X	6 MM
25	14M7025	WING NUT	1		X X	M10
26	14M7140	NUT	4		X X	M10
27	14M7027	NUT	12		X X	M6
28	AZ21854	GUARD	1	941031 -	X	
29	AZ21851	HOLDER	1	941031 -	X	
30	Z35508	STRAP	1		X X	
31	AZ21943	CHOCK BLOCK	1		X X	
32	AZ24379	HOLDER	1		X	

(2G05) GUARDS LEFT-HAND
GARANTS GAUCHE
SCHUTZE LINKS
DIFESAS SINISTRA
PROTECCIONS IZQUIERDO
SKYDDSS VANSTER

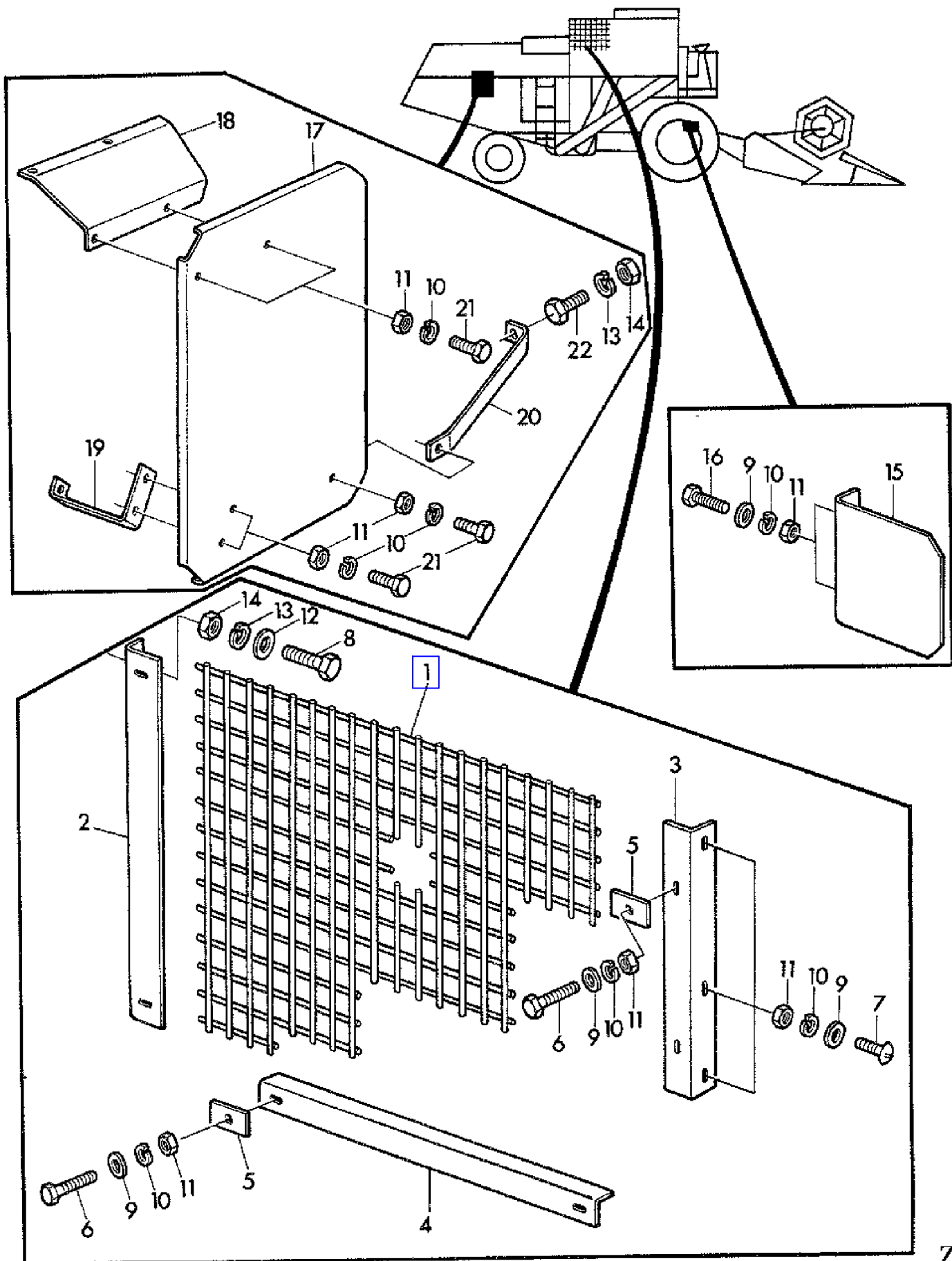


Z 31773

(2G05) GUARDS LEFT-HAND
GARANTS GAUCHE
SCHUTZE LINKS
DIFESAS SINISTRA
PROTECCIONS IZQUIERDO
SKYDDSS VANSTER

KEY	PART NO.	PART NAME	QTY	SERIAL NO.	9 9 3 4 0 0	REMARKS
1	AZ22458	GUARD	1		X	
2	Z33255	STRAP	2		X	
3	21M7031	SCREW	4		X	M6 X 15
4	12M7012	LOCK WASHER	4		X	6 MM
5	14M7027	NUT	4		X	M6
6	Z33259	GUARD	2		X	
7	Z33259	GUARD	2		X	
8	AZ22461	GUARD	1		X	
8	Z25857	WASHER	1		X	
9	Z33715	GUARD	1		X	
10	Z33712	GUARD	1		X	
11	Z35539	GUARD	1		X	

(2G10) GUARDS RIGHT-HAND
GARANTS DROITS
SCHUTZE RECHTS
DIFESAS DESTRA
PROTECCIONS DERECHO
SKYDDSS HOGER

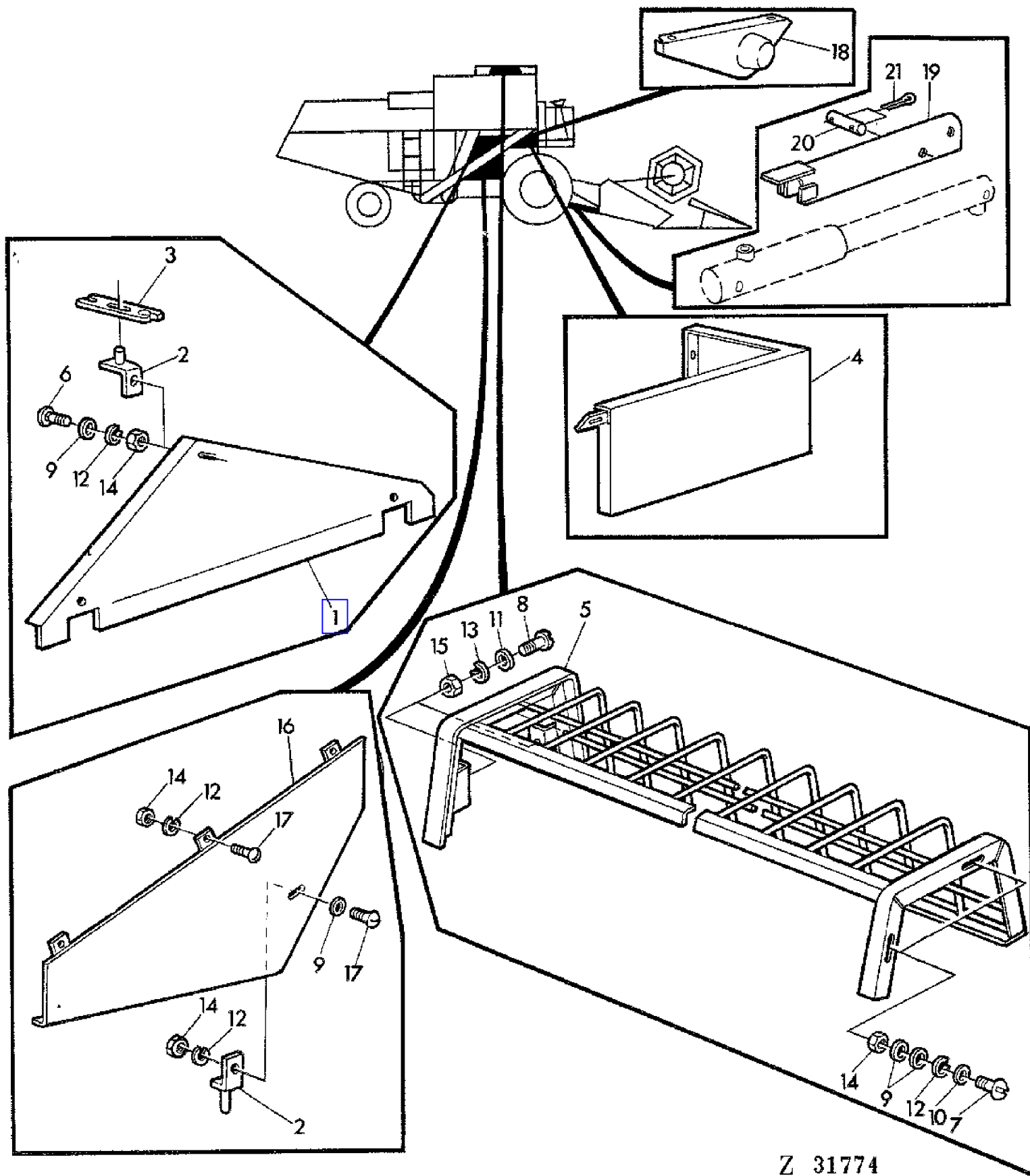


Z 31775

(2G10) GUARDS RIGHT-HAND
 GARANTS DROITS
 SCHUTZE RECHTS
 DIFESAS DESTRA
 PROTECCIONS DERECHO
 SKYDDDS HOGER

KEY	PART NO.	PART NAME	QTY	SERIAL NO.	9 9 3 4 0 0	REMARKS
1	AZ22391	GRILLE	1		XX	
2	Z33199	ANGLE	1		XX	
3	Z33201	ANGLE	1		XX	
4	Z33203	ANGLE	1		XX	
5	Z23754	STRAP	4		XX	
6	19M7077	CAP SCREW	6		XX	M6 X 20
7	21M7031	SCREW	3		XX	M6 X 15
8	19M7139	CAP SCREW	2		XX	M8 X 20
9	24M7088	WASHER	9		XX	6,6 MM
10	12M7012	LOCK WASHER	14		XX	6 MM
11	14M7027	NUT	14		XX	M6
12	24M7036	WASHER	2		XX	9 MM
13	12M7008	LOCK WASHER	2		XX	8 MM
14	14M7029	NUT	2		XX	M8
15	Z33187	GUARD	1		XX	
16	19M7375	CAP SCREW	2		XX	M6 X 18
17	Z32885	GUARD	1	941031	X	
18	Z34134	GUARD	1	941031	X	
19	Z32788	HOLDER	1	941031	X	
20	Z32886	HOLDER	1	941031	X	
21	19M7159	CAP SCREW	5	941031	X	M6 X 15
22	19M7284	CAP SCREW	1	941031	X	M8 X 18

(2G08) GUARDS RIGTH-HAND
GARANTS DROITE
SCHUTZE RECHTS
DIFESAS DESTRA
PROTECCIONS DERECHO
SKYDDSS HOGER



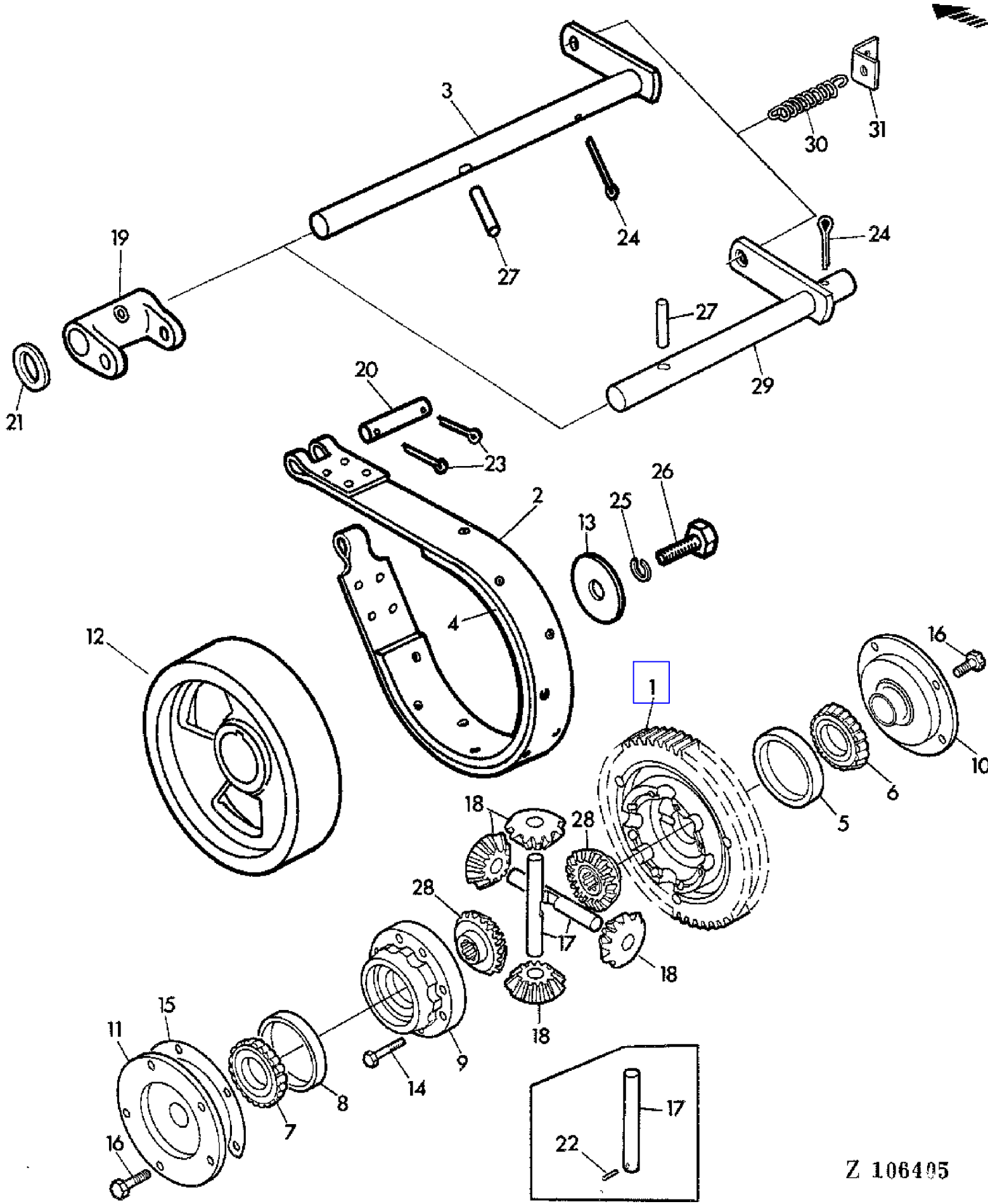
Z 31774

(2G08) GUARDS RIGTH-HAND
 GARANTS DROITE
 SCHUTZE RECHTS
 DIFESAS DESTRA
 PROTECCIONS DERECHO
 SKYDDSS HOGER

KEY	PART NO.	PART NAME	QTY	SERIAL NO.	9 9 3 4 0 0	REMARKS
1	Z32020	GUARD	1		XX	
2	AZ13950	HOLDER	2		XX	
3	Z24277	HOLDER	1		XX	
4	AZ20782	GUARD	1		XX	
5	AZ21689	GUARD	1		XX	(SUB FOR AZ17090)
6	21M7031	SCREW	1		XX	M6 X 15
7	21M7085	SCREW	2		XX	M6 X 20
8	03M7093	BOLT	2		XX	M8 X 25
9	Z26250	WASHER	5		XX	6,5 MM
10	24M7088	WASHER	3		XX	6,6 MM
11	24M7036	WASHER	2		XX	9 MM
12	12M7012	LOCK WASHER	6		XX	6 MM
13	12M7008	LOCK WASHER	2		XX	8 MM
14	14M7027	NUT	6		XX	M6
15	14M7029	NUT	2		XX	M8
16	AZ15287	GUARD	1		XX	
17	03M7068	BOLT	4		XX	M6 X 20
18	AZ12007	GUARD	1		XX	
19	AZ22727	GUARD	1		XX	(A)
20	Z33788	PIN	1		XX	(A)
21	J16931	SPRING LOCKING PIN	2		XX	(A)

(A) ONLY FOR SCANDINAVIA
 SEULEMENT POUR LA SCANDINAVIE
 NUR FUER SKANDINAVIEN
 SOLO PER SCANDINAVI
 TAN SOLO PARA ESCANDINAVIA
 ENDAST FOER SKANDINAVISCH E LAN DEN

(1B04) HANDBRAKE, DIFFERENTIAL
FREIN A MAIN, DIFFERENTIEL
HANDBREMSE, DIFFERENTIAL
FRENO A MANO, DIFFERENZIALE
FRENO DE MANO, DIFFERENCIAL
HANDBROMS, DIFFERENTIAL

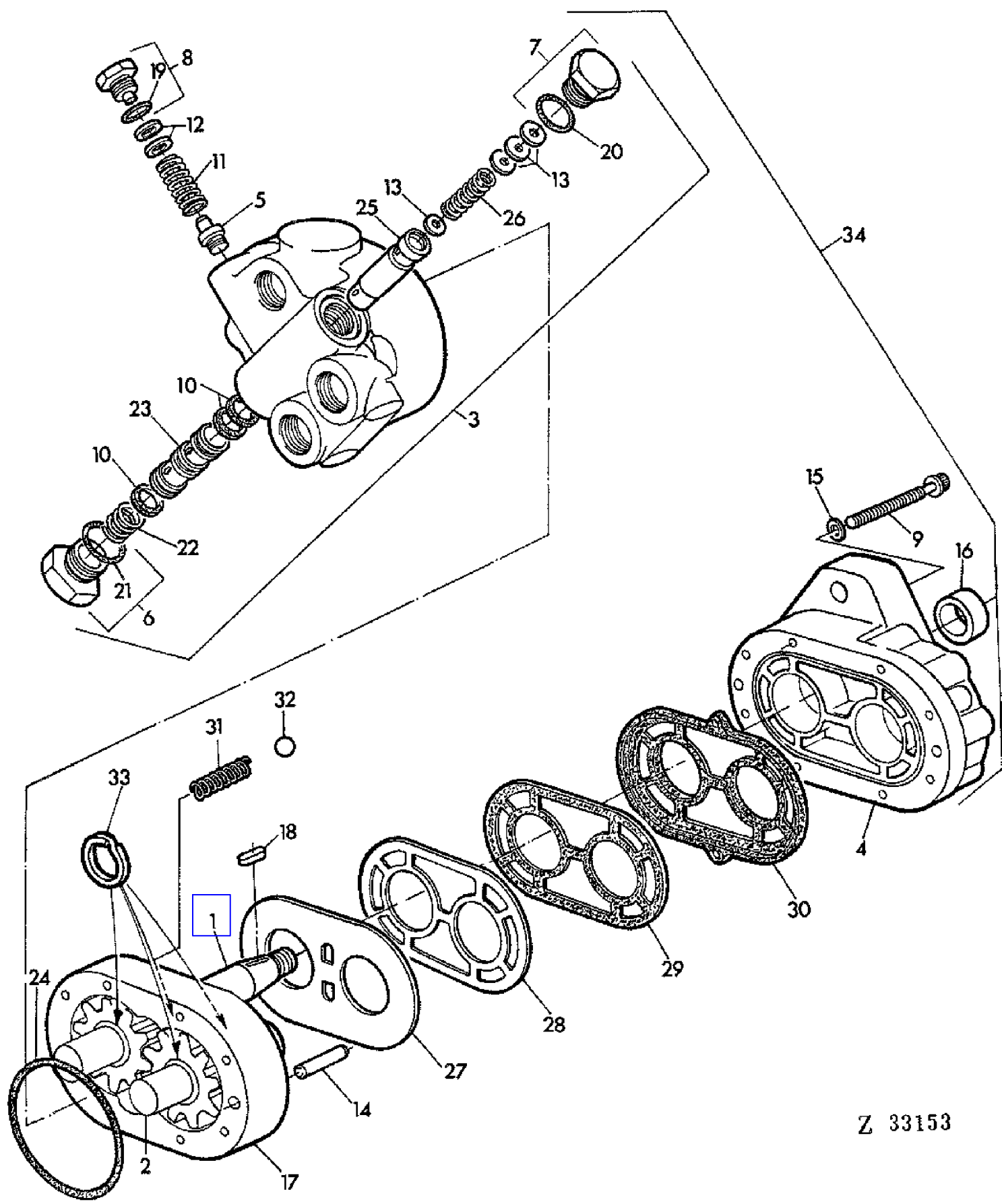


Z 106405

(1B04) HANDBRAKE, DIFFERENTIAL
 FREIN A MAIN, DIFFERENTIEL
 HANDBREMSE, DIFFERENTIAL
 FRENO A MANO, DIFFERENZIALE
 FRENO DE MANO, DIFFERENCIAL
 HANDBROMS, DIFFERENTIAL

KEY	PART NO.	PART NAME	QTY	SERIAL NO.	9 3 0	9 4 0	REMARKS
1	AZ14251	HOUSING	1		X	X	
2	AZ14293	BRAKE BAND	1		X	X	
3	AZ20028	SHAFT	1		X		
4	AZ20028	SHAFT	1	- 941030	X		
5	AH14215	LINING	1		X	X	
5	JD7425	BEARING CUP	1		X	X	
6	JD8161	BEARING CONE	1		X	X	(SUB FOR JD8147)
7	JD8171	BEARING CONE	1		X	X	
8	JD8217	BEARING CUP	1		X	X	
9	Z10333	HOUSING	1		X	X	
10	Z10334	CASE	1		X	X	RH
11	Z10335	CASE	1		X	X	LH
12	Z10338	BRAKE DISK	1		X	X	
13	Z26244	WASHER	1		X	X	
14	T21430	CAP SCREW	8		X	X	
15	T21434	SHIM	AR		X	X	0,08 MM
	T21435	SHIM	AR		X	X	0,13 MM
	T21436	SHIM	AR		X	X	0,25 MM
16	T22874	BOLT	10		X	X	
17	L29228	SHAFT	2		X		(ORD (2) L29226) (SUB FOR T21831)
	L29226	SHAFT	2		X		(SUB FOR T21875)
18	L29227	GEAR	2		X		(SUB FOR T21876)
	L29227	GEAR	4		X		(SUB FOR T21876)
19	H11016	LEVER	1		X	X	
20	H25371	PIN	1		X	X	
21	L18882	WASHER	1		X	X	
22	R30587	DOWEL PIN	1		X	X	
23	11M7013	COTTER PIN	2		X	X	
24	11M7022	COTTER PIN	1		X	X	
25	12H13	LOCK WASHER	1		X	X	
26	19H1131	CAP SCREW	1		X	X	1/2" X 1-1/4"
27	34H130	SPRING PIN	1		X	X	
28	T29394	BEVEL GEAR	2		X	X	
29	AZ21175	SHAFT	1	941031	X		
30	Z25992	EXTENSION SPRING	1		X	X	
31	Z30702	RETAINER	1		X		

(1E07) HDRAULIC PUMP-CESSNA TYPE 24335 LAB
POMPE HYDRAULIQUE-TYPE CESSNA 24335 LAB
HYDRAULIKPUMPE-CESSNA TYP 24335 LAB
POMPA IDRAULICA-CESSNA TIPO 24335 LAB
BOMBA HIDRAULICA-CESSNA TIPO 24335 LAB
HYDRAULPUMP-CESSNA TYP 24335 LAB



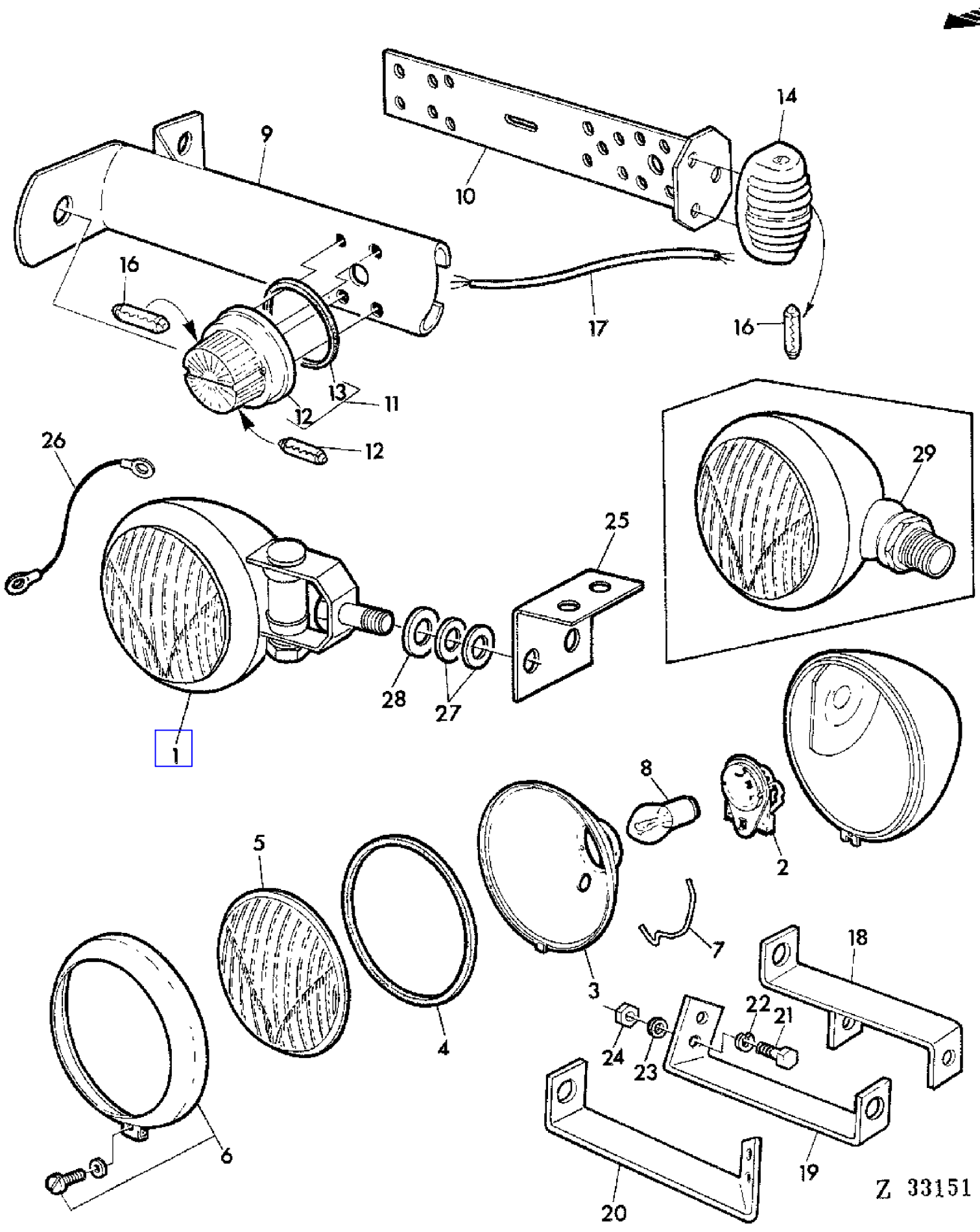
Z 33153

(1E07) HDRAULIC PUMP-CESSNA TYPE 24335 LAB
 POMPE HYDRAULIQUE-TYPE CESSNA 24335 LAB
 HYDRAULIKPUMPE-CESSNA TYP 24335 LAB
 POMPA IDRAULICA-CESSNA TIPO 24335 LAB
 BOMBA HIDRAULICA-CESSNA TIPO 24335 LAB
 HYDRAULPUMP-CESSNA TYP 24335 LAB

KEY	PART NO.	PART NAME	QTY	SERIAL NO.	9 9 3 4 0 0	REMARKS
1	AZ17510	GEAR	1		X X	
2	AT12109	GEAR	1		X X	
3	AZ19695	FLOW DIVIDER	1		X X	ASSY, INCL KEYS 5-8,10-13,19-23,25,26
4	AH17973	HOUSING	1		X X	
5	AH18137	POPPET	1		X X	
6	AH19265	FITTING	1		X X	INCL KEY 21
7	AH19266	FITTING	1		X X	INCL KEY 20
8	AH20807	FITTING	1		X X	INCL KEY 19
9	H30972	BOLT	8		X X	5/16" X 2-1/4"
10	H30843	O-RING	AR		X X	
11	H31256	SPRING	1		X X	(SUB FOR H60817)
12	H31257	SHIM	AR		X X	TK = 0,25 MM (.010")
13	T18628	WASHER	AR		X X	TK = 1,65 MM (.065")
14	H63358	ORIFICE	AR		X X	
14	H80815	PIN	2		X X	
15	H30973	WASHER	8		X X	
16	AH15442	SEAL	1		X X	
17	H80822	HOUSING	1		X X	INCL KEY 14
18	N34986	SHAFT KEY	1		X X	
19	P46051	O-RING	1		X X	
20	R375R	O-RING	1		X X	
21	32240	O-RING	1		X X	
22	T19972	SPRING	1		X X	(SUB FOR Z32435)
23	PLUNGER	1		X X	(ORD AZ19695)
24	H80821	O-RING	1		X X	
25	PLUNGER	1		X X	(ORD AZ19695)
26	E46836	SPRING	1		X X	
27	DIAPHRAGM	1		X X	(ORD AH66648)
28	GASKET	1		X X	(ORD AH66648)
29	GASKET	1		X X	(ORD AH66648)
30	GASKET	1		X X	(ORD AH66648)
31	H22695	SPRING	2		X X	
32	H22694	BALL	2		X X	
33	Z33137	SNAP RING	4		X X	
34	AH62124	HYDRAULIC PUMP	1		X X	(A) ASSY, INCL KEYS 1-33
..	AH66648	KIT	1		X X	KIT, INCL KEYS 16,19-21,24,27-32 (SUB FOR AE27937)

(A) CAN BE REPLACED COMPLETE WITH AZ19692
 PEUT ETRE REMPLACE COMPLET AZ19692
 KANN KOMPLETT DURCH AZ19692 ERSETZT WERDEN
 PUO ESSERE SOSTITUITO TOTALMENTE CON AZ19692
 PUEDE CAMBIARSE COMPLETAMENTE CON AZ19692
 KAN HELT BYTAS UT MED AZ19692

(1D19) HEADLIGHTS AND CLEARANCE LIGHTS
PROJECTEURS ET FEUX DE POSITION
SCHEINWERFER UND POSITIONSLUCHTEN
PROJETTORI EL LUCCI DI POSIZIONE
FAROS Y LUCES DE POSICION
HUVUDSTRAALKASTARE OCH POSSITIONSLJUS



Z 33151

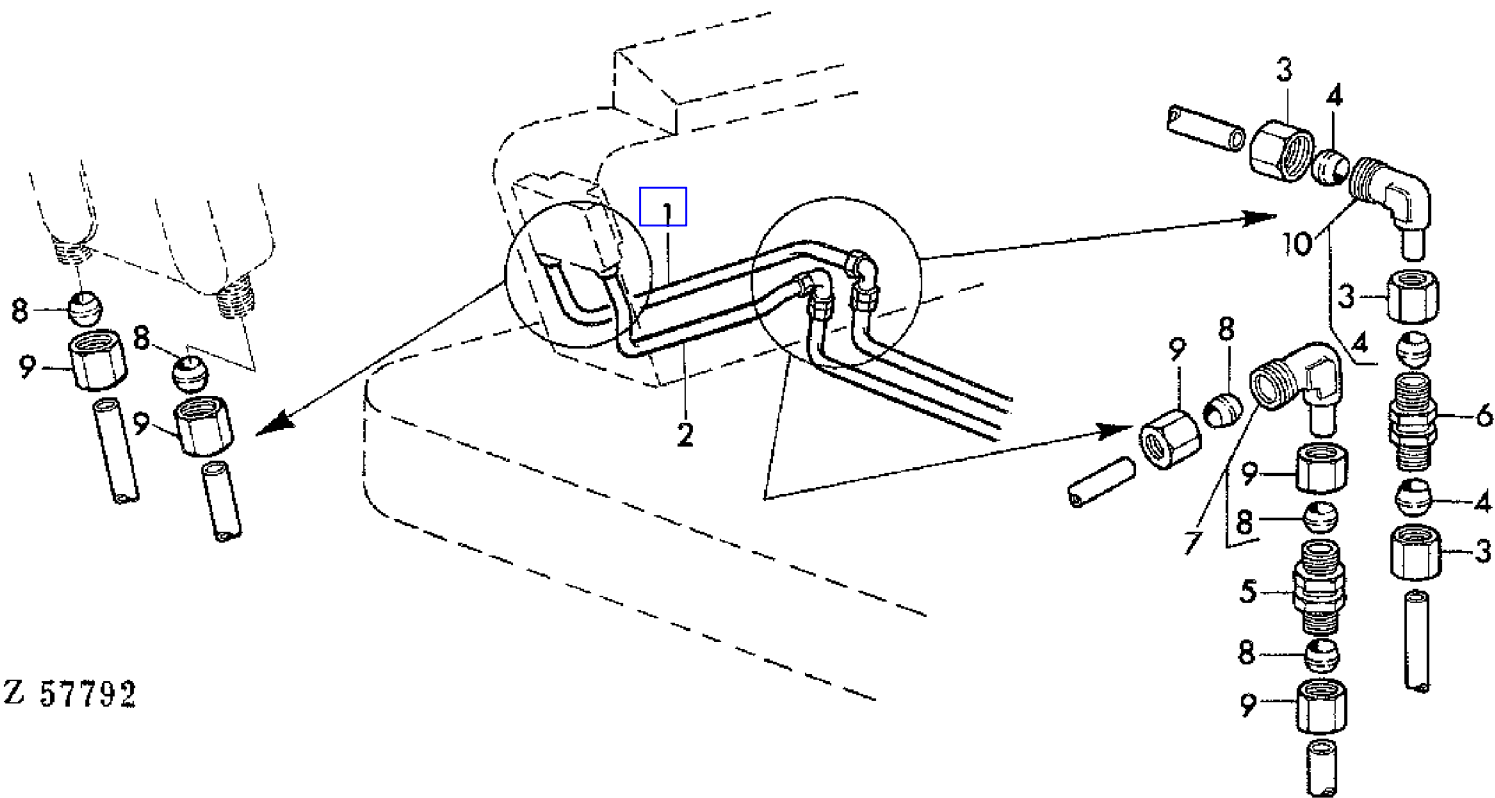
(1D19) HEADLIGHTS AND CLEARANCE LIGHTS
 PROJECTEURS ET FEUX DE POSITION
 SCHEINWERFER UND POSITIONSLUCHTEN
 PROJETTORI EL LUCCI DI POSIZIONE
 FAROS Y LUCES DE POSICION
 HUVUDSTRAALKASTARE OCH POSSITIONSLJUS

KEY	PART NO.	PART NAME	QTY	SERIAL NO.		9 9 3 4 0 0	REMARKS
1	AZ26797	HEADLIGHT	1	XXXX	-	X X	RH, INCL KEYS 2-7 (SUB FOR AZ10923)
2	AZ26798	HEADLIGHT	1	XXXX	-	X X	LH, INCL KEYS 2-7 (SUB FOR AZ10922)
	L13958	SOCKET	2			X X	
3	AL15005	REFLECTOR	2			X X	
4	L18703	PACKING	2			X X	
5	L18704	LENS	2			X X	
6	AL15006	BEZEL	2			X X	
7	L18705	CLIP	2			X X	
8	57M6276	BULB	2			X X	B12V 35/35W
9	57M7000	BULB	2			X X	(B) B12V 35/35W
10	AZ12849	BRACKET	2			X X	
	AZ12848	EXTENSION	2			X X	
11	AL13659	SIDE LIGHT	2			X X	ASSY, INCL KEYS 12,13
12	AL14395	PART HAS SUB	2			X X	
13	L18042	SEAL	2			X X	
14	AZ10792	TURN SIGNAL LAMP	2			X X	
15	57M6583	BULB	2			X X	M12V 3W
16	57M6275	BULB	4			X X	K12V 18W
17	Z21998	WIRING LEAD	1			X X	LH
	Z21997	WIRING LEAD	1			X X	RH
18	AZ12981	BRACKET	2			X X	(A) LH, RH
19	Z32081	BRACKET	1			X X	(A) LH
20	Z32082	BRACKET	1			X X	(A) RH
21	19M7163	CAP SCREW	2			X X	(A) M8 X 25
22	12M7008	LOCK WASHER	2			X X	(A) 8 MM
23	24M7098	WASHER	2			X X	(A) 19 MM
24	14M7020	WING NUT	2			X X	(A) M8
25	Z39370	HOLDER	2			X X	
26	Z21990	WIRING LEAD	2			X X	
27	24M7047	WASHER	4			X X	13 MM
28	24M7102	WASHER	2			X X	14 MM
29	AZ10923	HEADLIGHT	1	- XXXX		X X	RH, INCL KEYS 2-7 KEYS 25-28 (ORD AZ26797)
	AZ10922	HEADLIGHT	1	- XXXX		X X	LH, INCL KEYS 2-7 (ORD AZ26798 W/ KEYS 25-28)

(A) ONLY FOR AUSTRIA
 UNIQUEMENT POUR L'AUTRICHE
 NUR FUER OESTERREICH
 SOLO PER L'AUSTRIA
 SOLO PARA AUSTRIA
 ENDAST FOER OESTERRIKE

(B) YELLOW
 JAUNE
 GELB
 GIALLA
 AMARILLO
 GUL

(1G11) HYDRAULIC LINES, FRONT
CONDUITES HYDRAULIQUES AVANT
HYDRAULIKLEITUNGEN VORN
CONDOTTI IDRAULICI AVANTI
TUBERIAS DELANTERAS
HYDRAULLEDNINGAR,FRAMRE

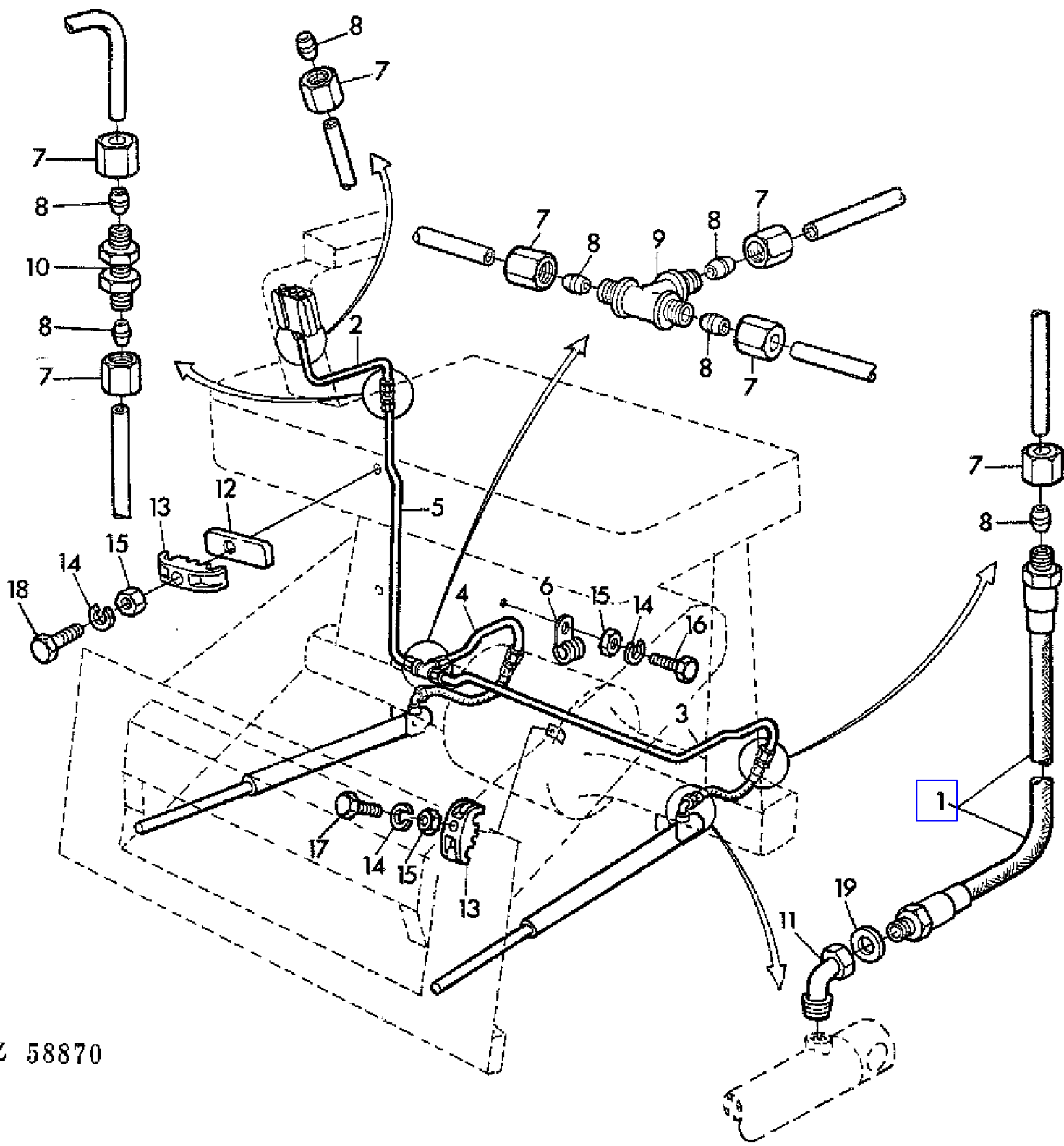


Z 57792

(1G11) HYDRAULIC LINES, FRONT
CONDUITES HYDRAULIQUES AVANT
HYDRAULIKLEITUNGEN VORN
CONDOTTI IDRAULICI AVANTI
TUBERIAS DELANTERAS
HYDRAULLEDNINGAR,FRAMRE

KEY	PART NO.	PART NAME	QTY	SERIAL NO.	9 9 3 4 0 0	REMARKS
1	AZ22183	OIL LINE	1		X X	INCL KEYS 3,4 (SUB FOR AZ19283)
2	AZ22184	OIL LINE	1		X X	INCL KEYS 8,9 (SUB FOR AZ19284)
3	Z32973	TUBE NUT	4		X X	(SUB FOR Z22345)
4	Z32993	SLEEVE FITTING	4		X X	(SUB FOR Z22675)
5	Z32979	UNION FITTING	1		X X	(SUB FOR Z22714)
6	Z32982	UNION FITTING	1		X X	(SUB FOR Z27453)
7	AZ21976	ELBOW FITTING	1		X X	INCL KEYS 8,9 (SUB FOR AZ21277)
8	Z32292	SLEEVE FITTING	4		X X	(SUB FOR Z27458)
9	Z32972	TUBE NUT	4		X X	(SUB FOR Z27459)
10	AZ21975	ELBOW FITTING	1		X X	INCL KEYS 3,4 (SUB FOR AZ21276)

(1G10) HYDRAULIC LINES, PLATFORM LIFT CYLINDERS
CONDUITES (VERINS DE PLATE-FORMA DE COUPE)
LEITUNGEN (SCHNEIDWERK-HUBZYLINDER)
CONDOTTI (CILINDR) PLATTAFORMA DI TAGLIO
TUBERIAS (CILINDROS ELEVADORES DE LA PLATAFORMA DE CORTE
HYDRAULLEDNINGAR (SKAERBORDETS LYFTCYLINDRAR)



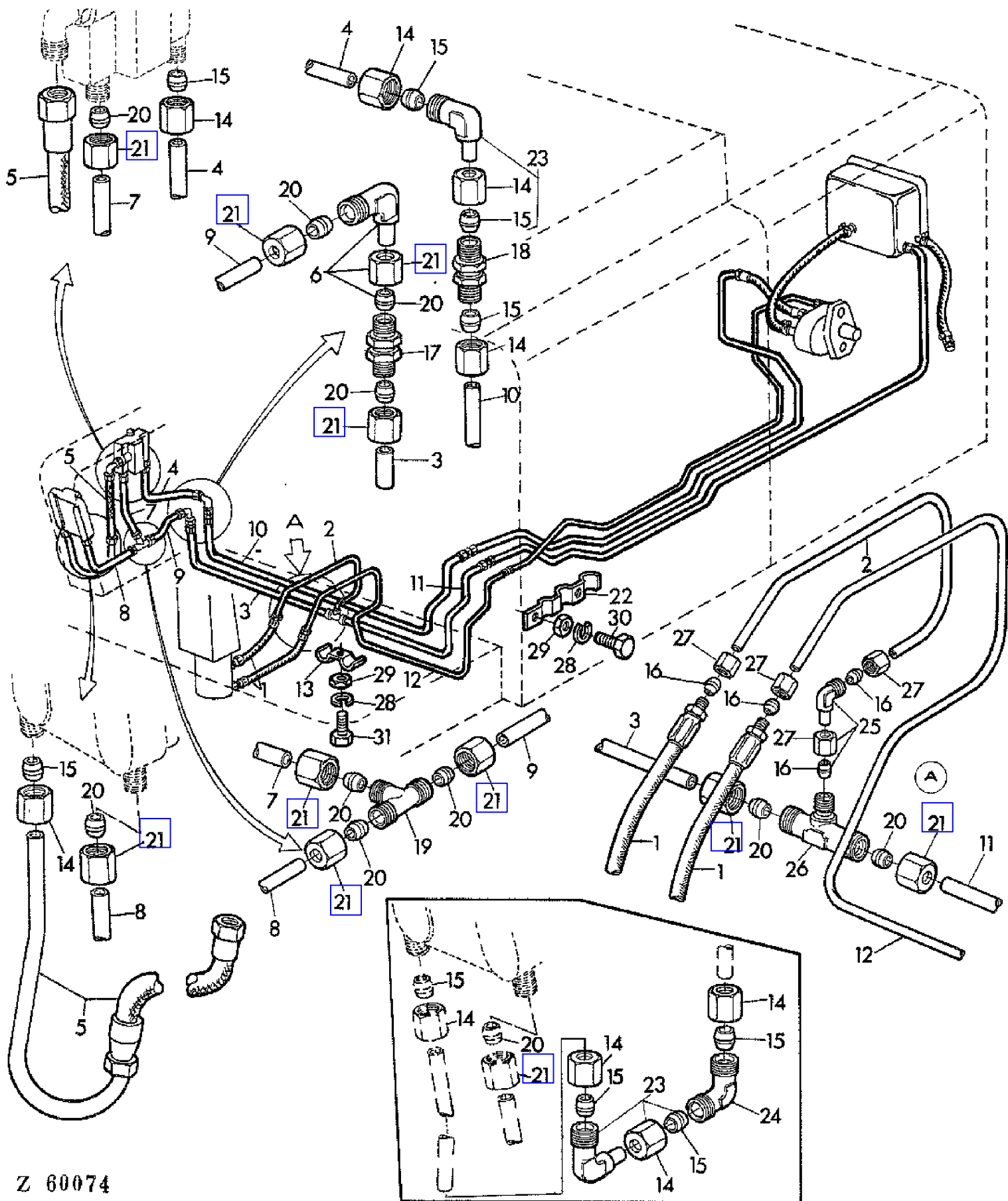
Z 58870

(1G10) HYDRAULIC LINES, PLATFORM LIFT CYLINDERS
 CONDUITES (VERINS DE PLATE-FORMA DE COUPE)
 LEITUNGEN (SCHNEIDWERK-HUBZYLINDER)
 CONDOTTI (CILINDR) PLATTAFORMA DI TAGLIO)
 TUBERIAS (CILINDROS ELEVADORES DE LA PLATAFORMA DE CORTE
 HYDRAULLEDNINGAR (SKAERBORDETS LYFTCYLINDRAR)

KEY	PART NO.	PART NAME	QTY	SERIAL NO.	9 9 3 4 0 0	REMARKS
1	AZ15362	HYDRAULIC HOSE	2		X X	
2	AZ22180	OIL LINE	1		X X	INCL KEYS 7,8 (SUB FOR AZ19280)
3	AZ22224	OIL LINE	1		X X	INCL KEYS 7,8 (SUB FOR AZ19670)
4	AZ22225	OIL LINE	1		X X	INCL KEYS 7,8 (SUB FOR AZ19671)
5	AZ22239	LINE	1		X	INCL KEYS 7,8 (SUB FOR AZ19687)
	AZ22239	LINE	1	- 941030	X	INCL KEYS 7,8 (SUB FOR AZ19687)
6	AZ22610	OIL LINE	1	941031 -	X	INCL KEYS 7,8 (SUB FOR AZ21202)
7	Z22064	CLAMP	1		X X	
7	Z32971	TUBE NUT	AR		X X	(SUB FOR Z22346)
8	Z32994	TAPERED SLEEVE	AR		X X	(SUB FOR Z22674)
9	Z32985	TEE FITTING	1		X X	(SUB FOR Z22693)
10	Z32980	UNION FITTING	1		X X	(SUB FOR Z22715)
11	Z28060	ELBOW FITTING	2		X X	
12	Z30667	PLATE	2		X X	
13	Z30668	CLAMP	5		X X	
14	12M7012	LOCK WASHER	7		X X	6 MM
15	14M7027	NUT	7		X X	M6
16	19M7286	CAP SCREW	2		X X	M6 X 25
17	19M7320	CAP SCREW	3		X X	M6 X 40
18	19M7547	CAP SCREW	2		X X	M6 X 55
19	51M4240	RING	2		X X	

(1G04) HYDRAULIC LINES, PUMP TO SELECTIVE CONTROL VALVE

CONDUITES (POMPE/DISTRIBUTEUR)
LEITUNGEN (PUMPE-STEUERGERAET)
CONDOTTI (POMPA/DISTRIBUITORE)
TUBERIAS ENTRE BOMBA Y VALVULA DE MANDO
HYDRAULLEDNINGER (PUMP-MANDEVERTENTIL)



Z 60074

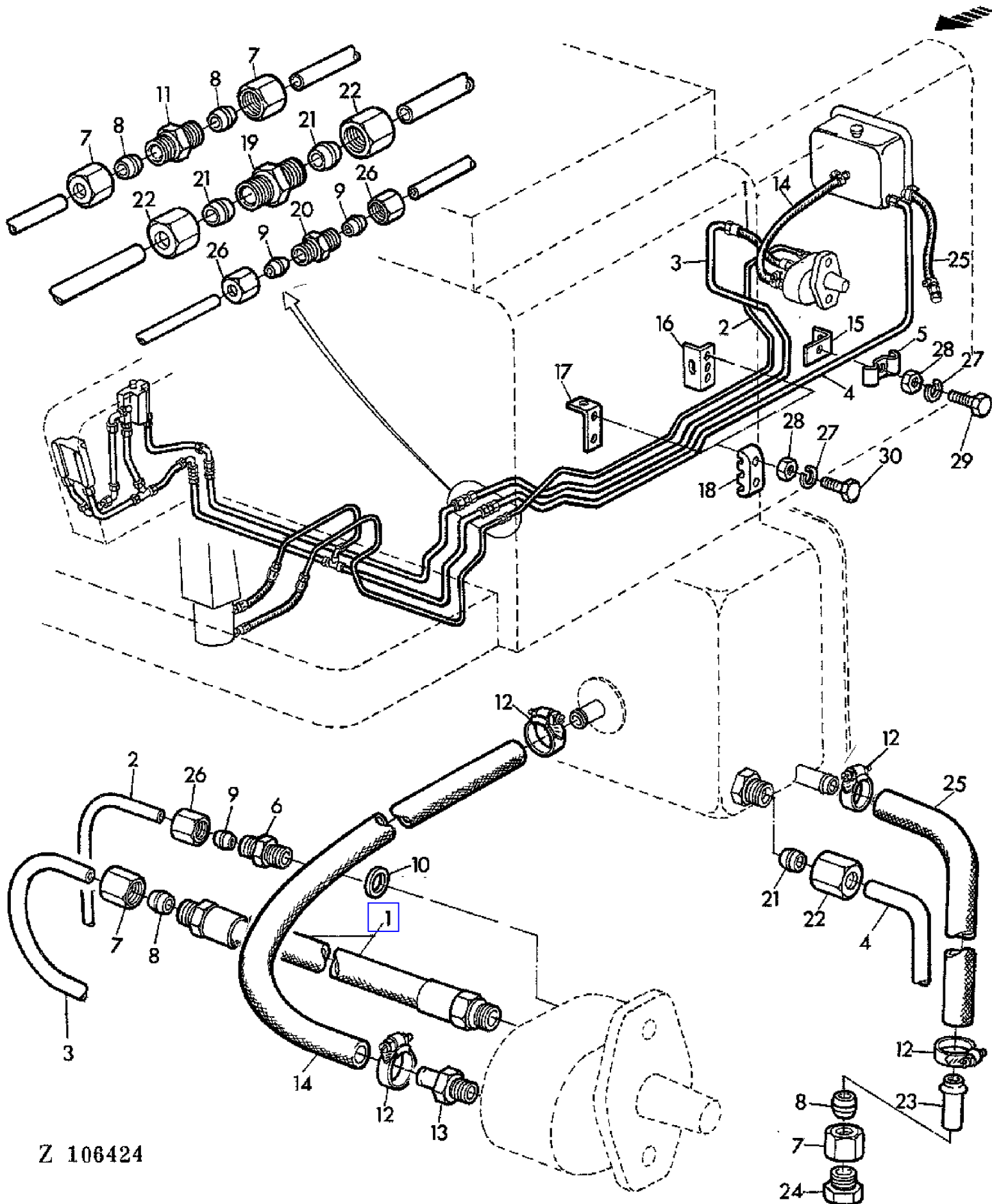
(1G04) HYDRAULIC LINES,PUMP TO SELECTIVE CONTROL VALVE

CONDUITES (POMPE/DISTRIBUTEUR)
 LEITUNGEN (PUMPE-STEUERGERAET)
 CONDOTTI (POMPA/DISTRIBUTORE)
 TUBERIAS EUTRE BOMBA Y VALVULA DE MANDO
 HYDRAULLEDNINGER (PUMP-MANDEVERVENTIL)

KEY	PART NO.	PART NAME	QTY	SERIAL NO.	9 9 3 4 0 0	REMARKS
1	AZ16228	HYDRAULIC HOSE	2		X X	
2	AZ22181	OIL LINE	1		X X	INCL KEYS 16,27 (SUB FOR AZ19281)
3	AZ22182	OIL LINE	1		X X	INCL KEYS 20,21 (SUB FOR AZ19282)
4	AZ22185	OIL LINE	1		X X	INCL KEYS 14,15 (SUB FOR AZ19285)
5	AZ24872	HYDRAULIC HOSE	1		X X	ASSY (SUB FOR AZ22186, OR AZ22187)
6	AZ21976	ELBOW FITTING	1		X X	INCL KEYS 20,21 (SUB FOR AZ21277)
7	AZ22188	OIL LINE	1		X X	INCL KEYS 20,21 (SUB FOR AZ19288)
8	AZ22189	OIL LINE	1		X X	INCL KEYS 20,21 (SUB FOR AZ19289)
9	AZ22190	OIL LINE	1		X X	INCL KEYS 20,21 (SUB FOR AZ19290)
10	AZ22213	OIL LINE	1		X X	INCL KEYS 14,15 (SUB FOR AZ19313)
11	AZ22214	OIL LINE	1		X X	INCL KEYS 20,21 (SUB FOR AZ19314)
12	AZ22215	OIL LINE	1		X X	INCL KEYS 16,27 (SUB FOR AZ19315)
13	Z22063	CLAMP	1		X X	
14	Z32973	TUBE NUT	9		X X	(SUB FOR Z22345)
15	Z32993	SLEEVE FITTING	9		X X	(SUB FOR Z22675)
16	Z32995	SLEEVE FITTING	4		X X	(SUB FOR Z22676)
17	Z32979	UNION FITTING	1		X X	(SUB FOR Z22714)
18	Z32982	UNION FITTING	1		X X	(SUB FOR Z27453)
19	Z32986	TEE FITTING	1		X X	(SUB FOR Z27455)
20	Z32992	SLEEVE FITTING	9		X X	(SUB FOR Z27450)
21	Z32972	TUBE NUT	9		X X	(SUB FOR Z27459)
22	Z30599	CLAMP	1		X X	
23	AZ21975	ELBOW FITTING	2		X X	INCL KEYS 14,15 (SUB FOR AZ21276)
24	Z32990	ELBOW FITTING	1	- XXXX	X X	(SUB FOR Z30614)
25	AZ21974	ELBOW FITTING	1		X X	INCL KEYS 16,27 (SUB FOR AZ21275)
26	Z32987	TEE FITTING	1		X X	(SUB FOR Z30616)
27	Z32974	TUBE NUT	4		X X	(SUB FOR L20061)
28	12M7012	LOCK WASHER	3		X X	6 MM
29	14M7027	NUT	3		X X	M6
30	19M7168	CAP SCREW	2		X X	M6 X 30
31	19M7286	CAP SCREW	1		X X	M6 X 25

(1G06) HYDRAULIC LINES, PUMP TO SELECTIVE CONTROL VALVE

CONDUITES (POMPE/DISTRIBUTEUR)
LEITUNGEN (PUMPE-STEUERGERAET)
CONDOTTI (POMPA/DISTRIBUITORE)
TUBERIAS ENTRE BOMBA Y VALVULA DE MANDO
HYDRAULLEDNINGAR (PUMP-MANDEVERTIL)



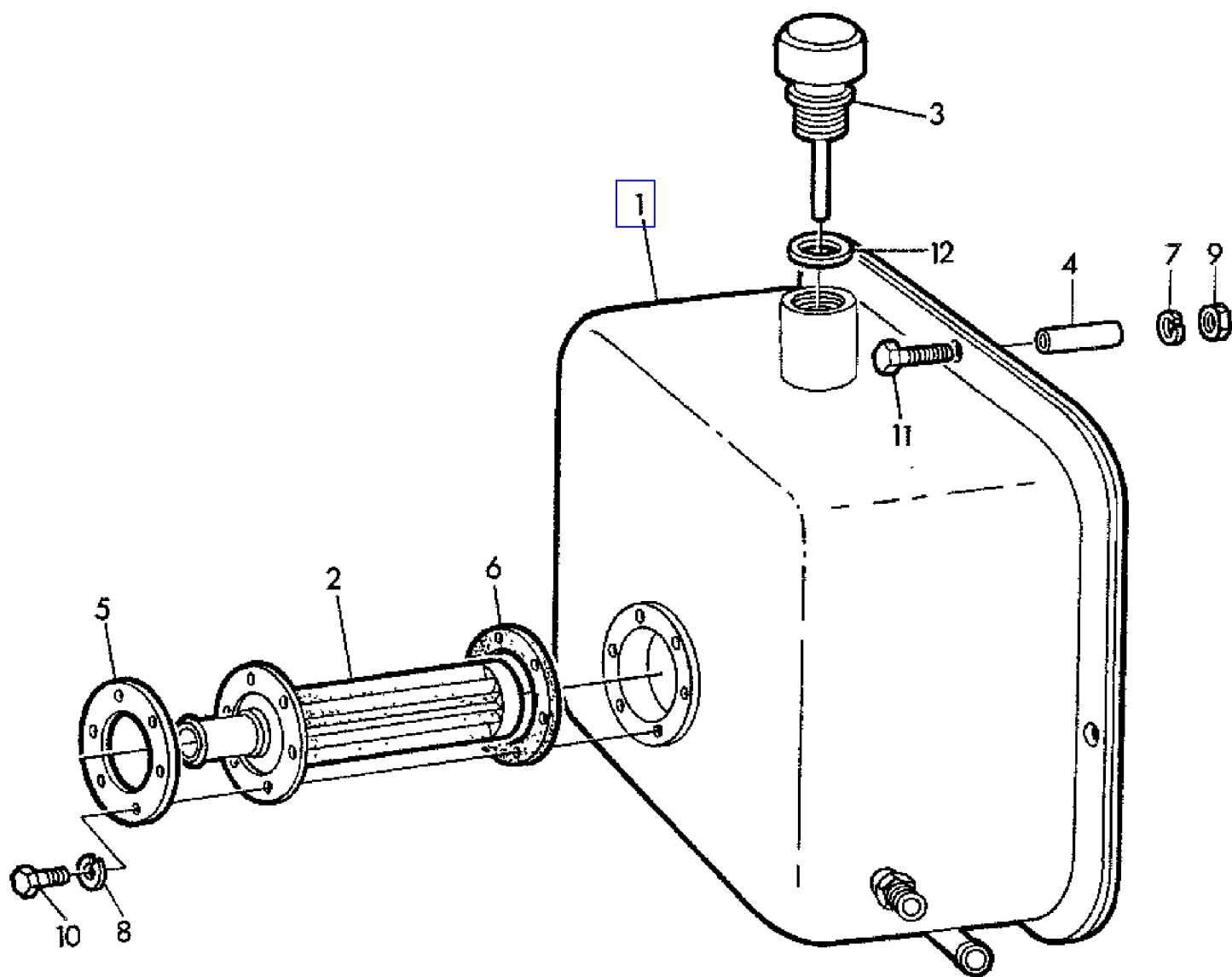
Z 106424

(1G06) HYDRAULIC LINES,PUMP TO SELECTIVE CONTROL VALVE

CONDUITES (POMPE/DISTRIBUTEUR)
 LEITUNGEN (PUMPE-STEUERGERAET)
 CONDOTTI (POMPA/DISTRIBUTORE)
 TUBERIAS ENTRE BOMBA Y VALVULA DE MANDO
 HYDRAULLEDNINGAR (PUMP-MANDEVERVENTIL)

KEY	PART NO.	PART NAME	QTY	SERIAL NO.	9 9 3 4 0 0	REMARKS
1	AZ16272	HYDRAULIC HOSE	1		X X	
2	AZ22131	OIL LINE	1		X X	INCL KEYS 9,26 (SUB FOR AZ16301)
3	AZ22133	OIL LINE	1		X X	INCL KEYS 7,8 (SUB FOR AZ16303)
4	AZ22237	OIL LINE	1		X X	INCL KEYS 21,22 (SUB FOR AZ19684)
5	Z22061	CLAMP	1		X X	
6	Z32970	ADAPTER	1		X X	(SUB FOR Z22108)
7	Z32973	TUBE NUT	4		X X	(SUB FOR Z22345)
8	Z32993	SLEEVE FITTING	4		X X	(SUB FOR Z22675)
9	Z32995	SLEEVE FITTING	3		X X	(SUB FOR Z22676)
10	R26375	O-RING	1		X X	(SUB FOR Z22678)
11	Z32979	UNION FITTING	1		X X	(SUB FOR Z22714)
12	Z26822	CLAMP	4		X X	
13	Z26824	FITTING	1		X X	
14	Z32843	HOSE	1		X X	(SUB FOR Z26829)
15	Z27437	ANGLE	1		X X	
16	Z44181	ANGLE	1		X X	(SUB FOR Z27447)
17	Z27448	ANGLE	1		X X	
18	Z27449	CLAMP	2		X X	
19	Z32982	UNION FITTING	1		X X	(SUB FOR Z27453)
20	Z32978	UNION FITTING	1		X X	(SUB FOR Z27456)
21	Z32992	SLEEVE FITTING	3		X X	(SUB FOR Z27458)
22	Z32972	TUBE NUT	3		X X	(SUB FOR Z27459)
23	Z28154	PIPE	1		X X	
24	Z28155	PIPE PLUG	1		X X	
25	Z28156	HYDRAULIC HOSE	1		X X	
26	Z32974	TUBE NUT	3		X X	(SUB FOR L20061)
27	12M7012	LOCK WASHER	5		X X	6 MM
28	14M7027	NUT	5		X X	M6
29	19M7077	CAP SCREW	1		X X	M6 X 20
30	19M7299	CAP SCREW	4		X X	M6 X 45

(1E23) HYDRAULIC OIL RESERVOIR
RESERVOIR D'HUILE HYDRAULIQUE
HYDRAULIK-OELBEHAELTER
SERBATOIO DELL'OLIO IDRAULICO
DEPOSITO DE ACEITE DE RESERVA
HYDRAULOLJETANK

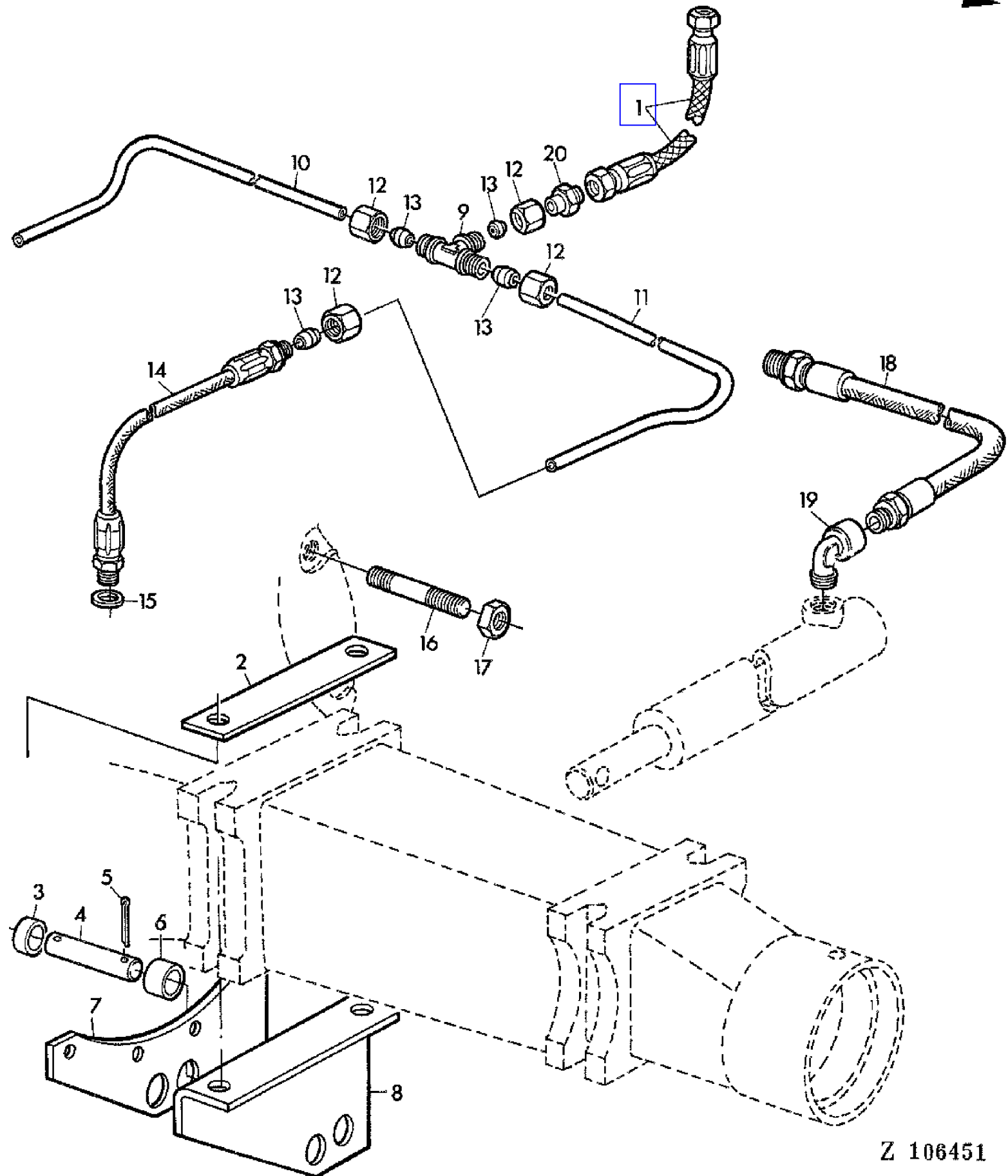


Z 56560

(1E23) HYDRAULIC OIL RESERVOIR
RESERVOIR D'HUILE HYDRAULIQUE
HYDRAULIK-OELBEHAELTER
SERBATOIO DELL'OLIO IDRAULICO
DEPOSITO DE ACEITE DE RESERVA
HYDRAULOLJETANK

KEY	PART NO.	PART NAME	QTY	SERIAL NO.	9 9 3 4 0 0	REMARKS
1	AZ32229	HYDRAULIC RESERVOIR	1		XX	(SUB FOR AZ15811)
2	AZ15812	FILTER	1		XX	
3	AL17552	BREATHER	1		XX	
4	Z24242	SPACER	4		XX	
5	Z26827	WASHER	1		XX	
6	Z26828	GASKET	1		XX	
7	12M7008	LOCK WASHER	4		XX	8 MM
8	12M7012	LOCK WASHER	6		XX	6 MM
9	14M7029	NUT	4		XX	M8
10	19M7159	CAP SCREW	6		XX	M6 X 15
11	19M7184	CAP SCREW	6		XX	M8 X 55
12	51M4247	RING	1		XX	

(1J10) HYDRAULIC PARTS FOR CUTTING PLATFORM
ELEMENTS HYDRAULIQUES POUR PLATE-FORME DE COUPE
HYDRAULIKANBAUTEILE FUER SCHNEIDWERK
COMPONENTI IDRAULICI PER PLATTAFORMA DI TAGLIO
PARTES HIDRAULICAS PARA PLATAFORMA CORTADORA
HYDRAULDETALJER FOR SKARBORD

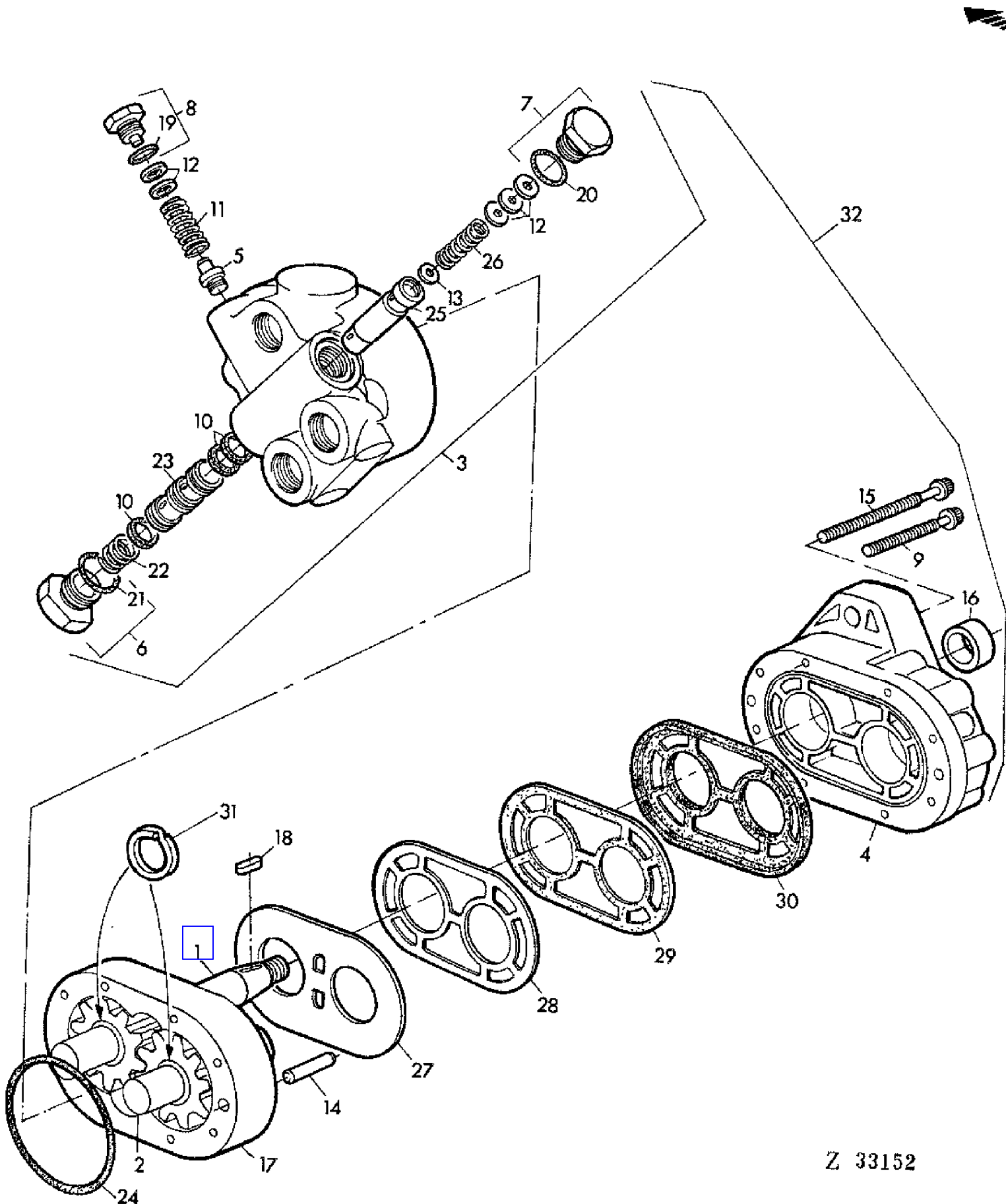


Z 106451

(1J10) HYDRAULIC PARTS FOR CUTTING PLATFORM
 ELEMENTS HYDRAULIQUES POUR PLATE-FORME DE COUPE
 HYDRAULIKANBAUTEILE FUER SCHNEIDWERK
 COMPONENTI IDRAULICI PER PLATTAFORMA DI TAGLIO
 PARTES HIDRAULICAS PARA PLATAFORMA CORTADORA
 HYDRAULDETALJER FOR SKARBORD

KEY	PART NO.	PART NAME	QTY	CUTTING PLATFORM S.N.	9 9 3 4 0 0	REMARKS
1	AZ20484	HYDRAULIC HOSE	1		X	
2	Z25824	STRAP	1		X	
3	Z25833	SPACER	1		X	
4	Z25831	PIN	1		X	
5	11M7038	COTTER PIN	2		X	6 X 45 MM
6	Z25832	SPACER	1		X	
7	Z25826	RETAINER	1		X	
8	Z25825	RETAINER	1		X	
9	Z22692	ELBOW FITTING	1		X	
10	AZ22054	OIL LINE	1		X	7'9", 8,5', RH (SUB FOR AZ12509)
	AZ22056	OIL LINE	1		X	10', RH (SUB FOR AZ12511)
11	AZ22053	OIL LINE	1		X	7'9", LH (SUB FOR AZ12508)
	AZ22057	OIL LINE	1		X	8,5', LH (SUB FOR AZ12512)
	AZ22055	OIL LINE	1		X	10', LH (SUB FOR AZ12510)
12	Z32974	TUBE NUT	4		X	(SUB FOR L20061)
13	Z32995	SLEEVE FITTING	4		X	(SUB FOR Z22676)
14	AZ12913	HYDRAULIC HOSE	2		X	
15	51M4236	RING	2		X	14 X 18 MM
16	Z24590	STUD	4		X	
17	14H809	NUT	8		X	1/2"
18	AZ15362	HYDRAULIC HOSE	1		X	
19	Z28060	ELBOW FITTING	1		X	
20	Z32991	ADAPTER	1		X	(SUB FOR Z31815)

(1E05) HYDRAULIC PUMP CESSNA TYP 200 100 LBE
POMPE HYDRAULIQUE CESSNA TYP 200 100 LBE
HYDRAULIKPUMPE CESSNA TYP 200 100 LBE
POMPA IDRAULICA CESSNA TYP 200 100 LBE
BOMBA HIDRAULICA CESSNA TYP 200 100 LBE
HYDRAULPUMP CESSNA TYP 200 100 LBE



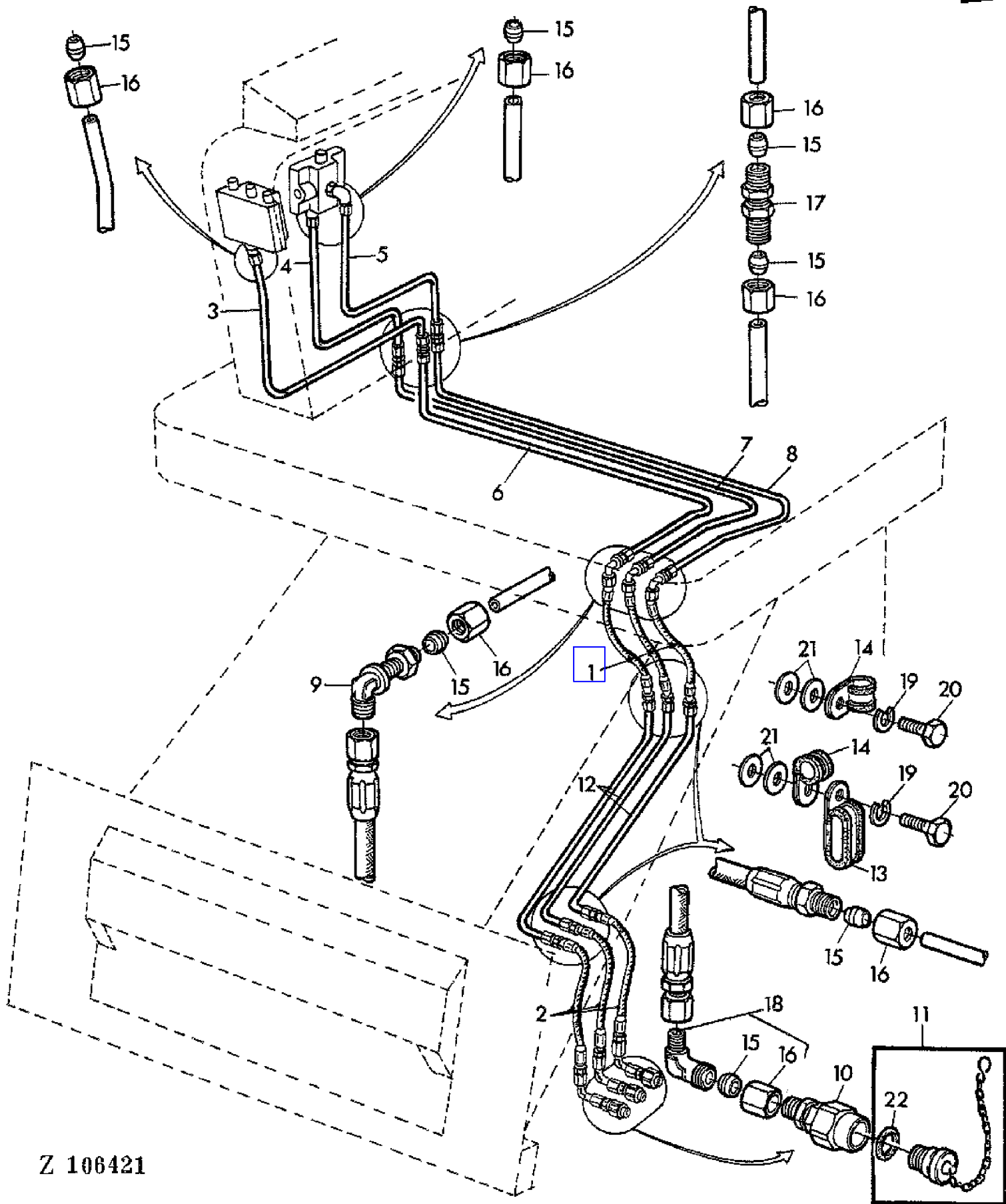
Z 33152

(1E05) HYDRAULIC PUMP CESSNA TYP 200 100 LBE
 POMPE HYDRAULIQUE CESSNA TYP 200 100 LBE
 HYDRAULIKPUMPE CESSNA TYP 200 100 LBE
 POMPA IDRAULICA CESSNA TYP 200 100 LBE
 BOMBA HIDRAULICA CESSNA TYP 200 100 LBE
 HYDRAULPUMP CESSNA TYP 200 100 LBE

KEY	PART NO.	PART NAME	QTY	SERIAL NO.	9 9 3 4 0 0	REMARKS
1	GEAR	1		X X	(ORD AZ21283)
2	GEAR	1		X X	(ORD AZ21283)
3	AZ19695	FLOW DIVIDER	1		X X	ASSY, INCL KEYS 5-8,10-13,19-23,25,26
4	AZ19696	HOUSING	1		X X	
5	AZ19698	POPPET	1		X X	
6	AH19265	FITTING	1		X X	
7	AE35771	DRAIN PLUG	1		X X	(SUB FOR AH19266)
8	AH20807	FITTING	1		X X	
9	H30972	BOLT	4		X X	5/16" X 2-1/4"
10	H30843	O-RING	AR		X X	
11	H31256	SPRING	1		X X	(SUB FOR H60817)
12	H31257	SHIM	AR		X X	TK = 0,25 MM (.010")
13	T18628	WASHER	AR		X X	TK = 1,65 MM (.065")
14	H63358	ORIFICE	1		X X	
14	H80815	PIN	2		X X	
15	Z31037	SCREW	4		X X	5/16" X 2-3/4"
16	Z31038	SEAL	1		X X	
17	Z31040	HOUSING	1		X X	
18	N34986	SHAFT KEY	1		X X	
19	P46051	O-RING	1		X X	
20	U40745	O-RING	1		X X	(SUB FOR R375)
21	N130510	O-RING	1		X X	(SUB FOR 32240A)
22	T19972	SPRING	1		X X	(SUB FOR Z32435)
23	PLUNGER	1		X X	(ORD AZ21284)
24	O-RING	1		X X	(ORD AZ19697)
25	PLUNGER	1		X X	(ORD AZ21284)
26	E46836	SPRING	1		X X	
27	DIAPHRAGM	1		X X	(ORD AZ19697)
28	GASKET	1		X X	(ORD AZ19697)
29	GASKET	1		X X	(ORD AZ19697)
30	GASKET	1		X X	(ORD AZ19697)
31	Z31337	LEAF SPRING	4		X X	
32	AZ19692	HYDRAULIC PUMP	1		X X	(A) ASSY, INCL KEYS 1-31
..	AZ19697	GASKET KIT	1		X X	KIT, INCL KEYS 16,19-21,24,27-30
..	AZ21283	GEAR	1		X X	KIT, INCL KEYS 1,2
..	AZ21284	PLUNGER	1		X X	KIT, INCL KEYS 10,23,25

(A) CAN BE REPLACED COMPLETE WITH AZ17502 OR AH62124
 PEUT ETRE REMPLACÉ COMPLET PAR AZ17502 OU AH62124
 KANN KOMPLETT DURCH AZ17502 ODER AH62124 ERSETZT WERDEN
 PUO ESSERE SOSTITUITO TOTALMENTE CON AZ17502 O AH62124
 PUEDE CAMBIARSE COMPLETAMENTE CON AZ17502 O AH62124
 KAN HELT BYTAS UT MED AZ17502 ELLER AH62124

(1F23) HYDRAULIC-LINES (CUTTING PLATFORM)
TUYAUX-HYDRAULIQUES (PLATEFORME DE COUPE)
HYDRAULIKLEITUNGEN (SCHNEIDWERK)
TUBAZIONI IDRAULICHE (PLATTAFORMA DI TAGLIO)
TUBERIAS-HIDRAULICAS (PLATAFORMA DE CORTE)
HYDRAULLEDNINGAR SKAERBORD



Z 106421

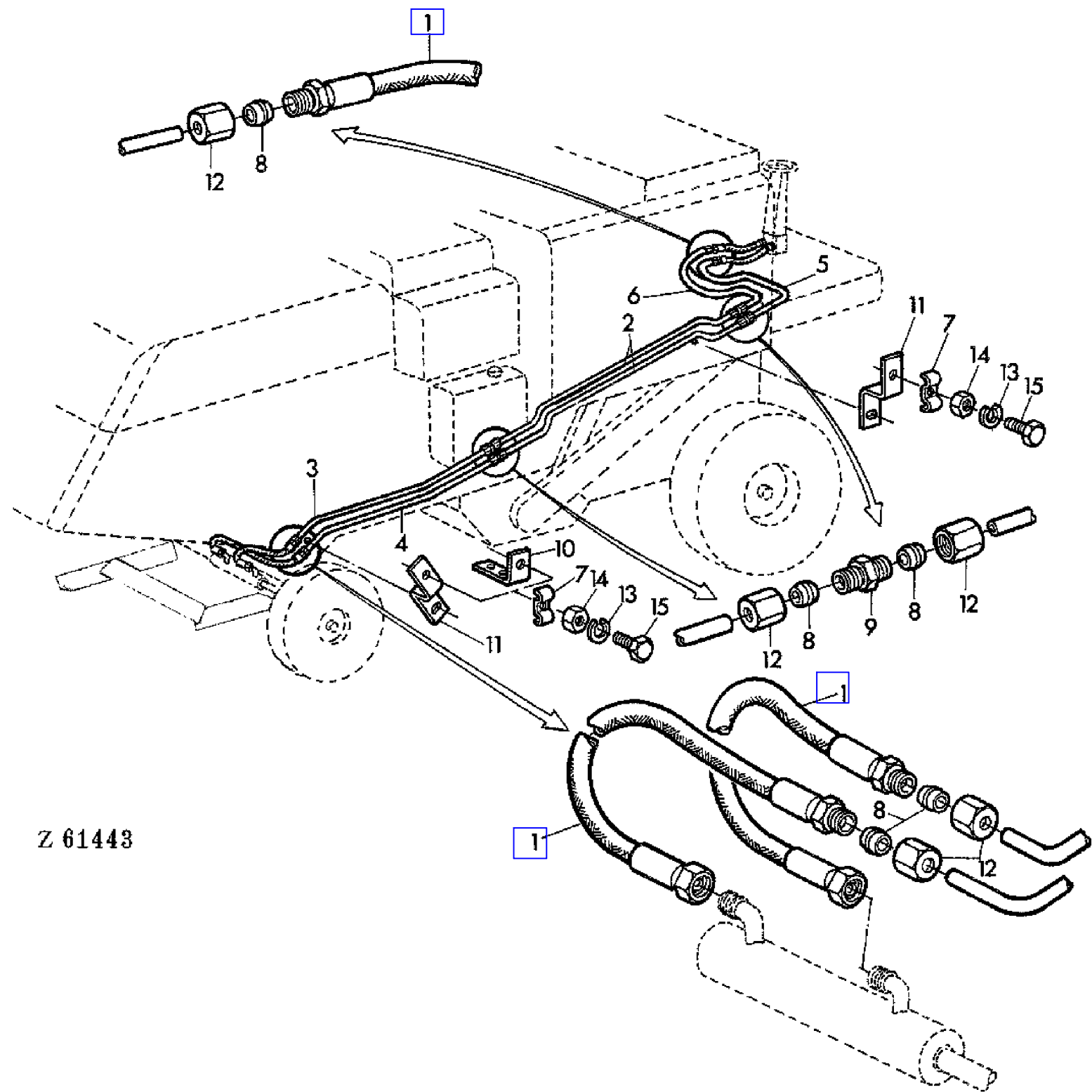
(1F23) HYDRAULIC-LINES (CUTTING PLATFORM)
 TUYAUX-HYDRAULIQUES (PLATEFORME DE COUPE)
 HYDRAULIKLEITUNGEN (SCHNEIDWERK)
 TUBAZIONI IDRAULICHE (PLATTAFORMA DI TAGLIO)
 TUBERIAS-HIDRAULICAS (PLATAFORMA DE CORTE)
 HYDRAULLEDNINGAR SKAERBORD

KEY	PART NO.	PART NAME	QTY	SERIAL NO.	9 9 3 4 0 0	REMARKS
1	AZ18453	HYDRAULIC HOSE	3		X X	
2	AZ18454	HYDRAULIC HOSE	3		X X	
3	AZ22179	OIL LINE	1		X X	INCL KEYS 15,16 (SUB FOR AZ19279)
4	AZ22191	OIL LINE	1		X X	INCL KEYS 15,16 (SUB FOR AZ19291)
5	AZ22192	OIL LINE	1		X X	INCL KEYS 15,16 (SUB FOR AZ19292)
6	AZ22220	OIL LINE	1		X X	INCL KEYS 15,16 (SUB FOR AZ19320)
7	AZ22283	OIL LINE	1		X X	INCL KEYS 15,16 (SUB FOR AZ19321)
8	AZ22221	OIL LINE	1		X X	INCL KEYS 15,16 (SUB FOR AZ19322)
9	Z32983	ELBOW FITTING	3		X X	(SUB FOR AZ19371)
10	AZ19455	EXTERNAL HALF COUPLER	3		X X	
11	AZ19456	PLUG	3		X X	
12	AZ22233	OIL LINE	3		X X	(A) INCL KEYS 15,16 (SUB FOR AZ19679)
13	AZ22234	OIL LINE	3		X X	(B) INCL KEYS 15,16 (SUB FOR AZ19680)
14	Z29819	CLAMP	2		X X	
14	Z29820	CLAMP	4		X X	
15	Z32996	SLEEVE FITTING	18		X X	(SUB FOR Z29823)
16	Z32976	TUBE NUT	18		X X	(SUB FOR Z29824)
17	Z32977	UNION FITTING	3		X X	(SUB FOR Z29825)
18	AZ21972	ELBOW FITTING	3		X X	INCL KEYS 15,16 (SUB FOR AZ21273)
19	12M7012	LOCK WASHER	6		X X	6 MM
20	19M7077	CAP SCREW	6		X X	M6 X 20
21	24M7054	WASHER	12		X X	6,4 MM
22	Z29863	O-RING	AR		X X	

(A) FOR FEEDER CONVEYOR SHORT
 POUR CONVOYEUR D'ALIMENTATION COURT
 FUER SCHRAEGFOERDERER KURZ
 PER CONVOGLIATORE CORTO
 PARA ELEVADOR DE MIES CORTO
 FOER INMATNINGSELEVATOR, KORT

(B) FOR FEEDER CONVEYOR LONG
 POUR CONVOYEUR D'ALIMENTATION LONG
 FUER SCHRAEGFOERDERER LANG
 PER CONVOGLIATORE LUNGO
 PARA ELEVADOR DE MIES LARGO
 FOER INMATNINGSELEVATOR, LAENG

(1G08) HYDRAULIC-LINES (STEERING)
TUYAUX-HYDRAULIQUES (DIRECTION)
HYDRAULIKLEITUNGEN (LENKUNG)
TUBAZIONI IDRAUCHLE (STERZO)
TUBERIAS-HIDRAULICAS (DIRECCION)
HYRAULLEDNINGAR (STYRNING)

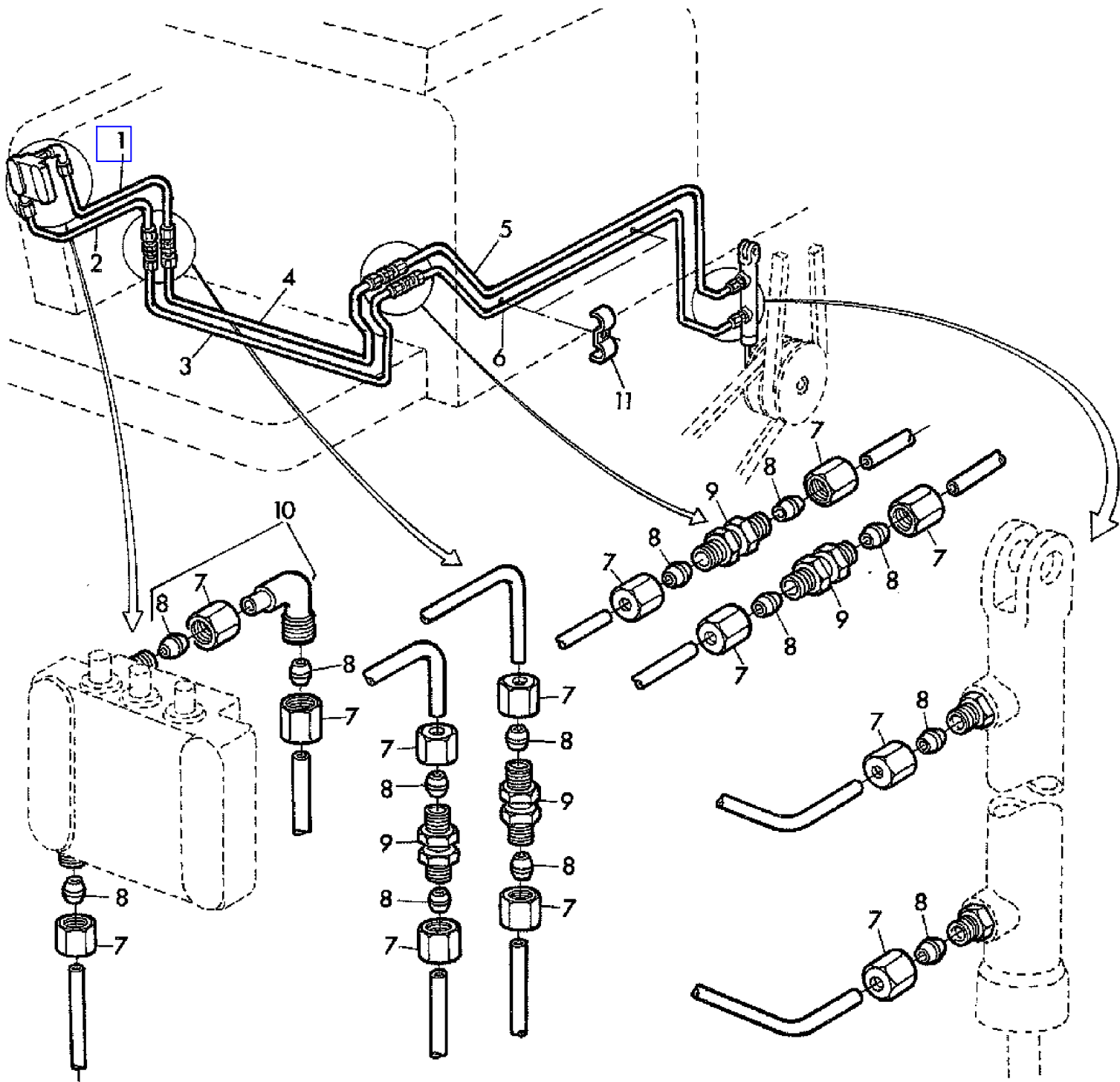


Z 61443

(1G08) HYDRAULIC-LINES (STEERING)
 TUYAUX-HYDRAULIQUES (DIRECTION)
 HYDRAULIKLEITUNGEN (LENKUNG)
 TUBAZIONI IDRAUCHLE (STERZO)
 TUBERIAS-HIDRAULICAS (DIRECCION)
 HYORAULEDNINGAR (STYRNING)

KEY	PART NO.	PART NAME	QTY	SERIAL NO.	9 9 3 4 0 0	REMARKS
1	AZ16228	HYDRAULIC HOSE	4		X X	
2	AZ22123	OIL LINE	2		X X	INCL KEYS 8,12 (SUB FOR AZ21399)
3	AZ22235	OIL LINE	1		X	INCL KEYS 8,12 (SUB FOR AZ19681)
4	AZ22128	OIL LINE	1		X	INCL KEYS 8,12 (SUB FOR AZ16298)
	AZ22236	OIL LINE	1		X	INCL KEYS 8,12 (SUB FOR AZ19682)
	AZ22129	OIL LINE	1		X	INCL KEYS 8,12 (SUB FOR AZ16299)
5	AZ22216	OIL LINE	1		X X	INCL KEYS 8,12 (SUB FOR AZ19316)
6	AZ22217	OIL LINE	1		X X	INCL KEYS 8,12 (SUB FOR AZ19317)
7	Z22063	CLAMP	7		X X	
8	Z32995	SLEEVE FITTING	AR		X X	(SUB FOR Z22676)
9	Z32960	COUPLING	4		X X	(SUB FOR Z23490)
10	Z27437	ANGLE	2		X X	
11	Z27445	HOLDER	3		X X	
12	Z32974	TUBE NUT	AR		X X	(SUB FOR L20061)
13	12M7012	LOCK WASHER	7		X X	6 MM
14	14M7027	NUT	7		X X	M6
15	19M7159	CAP SCREW	7		X X	M6 X 15

(1G02) HYDRAULIC-LINES (VARIABLE GROUND DRIVE)
CANALISATIONS D'HUILE HYDRAULIQUE (VARIATEUR D'AVANCEMENT)
HYDRAULIKLEITUNGEN (FAHRVARIATOR)
TUBAZIONI IDRAULICHE (VARIATORE DELL'AVANZAMENTO)
TUBERIAS HIDRAULICAS (VARIADOR DE VELOCIDAD)
HYDRAULLEDNINGAR (FRAMDRIVNINGSVARIATOR)



Z 57791

(1G02) HYDRAULIC-LINES (VARIABLE GROUND DRIVE)

CANALISATIONS D'HUILE HYDRAULIQUE (VARIATEUR D'AVANCEMENT)

HYDRAULIKLEITUNGEN (FAHRVARIATOR)

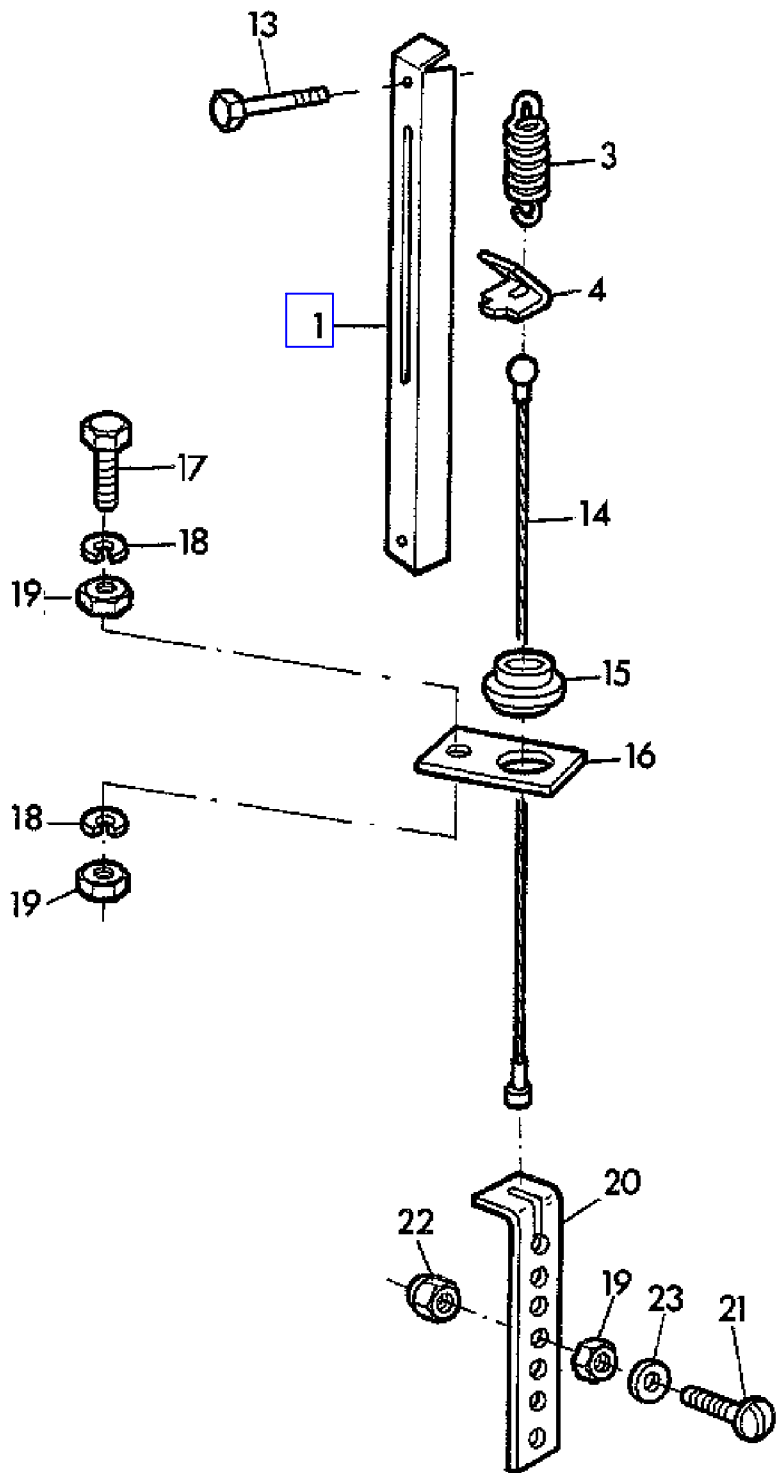
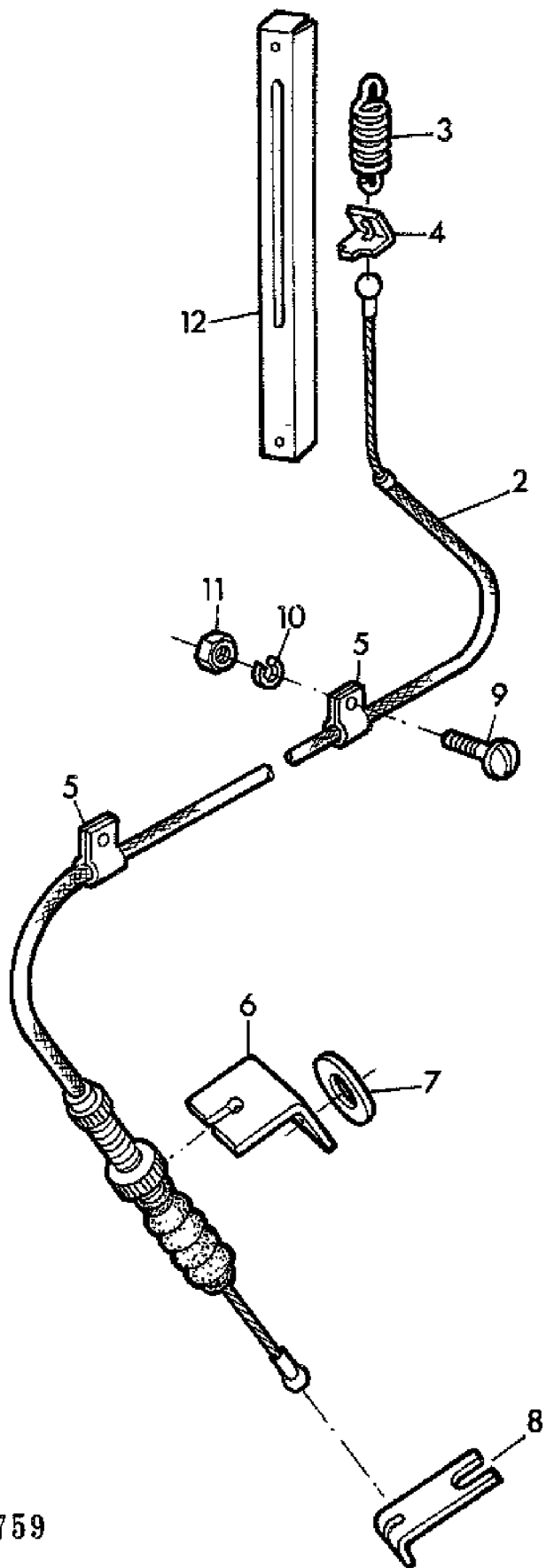
TUBAZIONI IDRAULICHE (VARIATORE DELL'AVANZAMENTO)

TUBERIAS HIDRAULICAS (VARIADOR DE VELOCIDAD)

HYDRAULLEDNINGAR (FRAMDRIVNINGSVARIATOR)

KEY	PART NO.	PART NAME	QTY	SERIAL NO.	9 9 3 4 0 0	REMARKS
1	AZ22177	OIL LINE	1		X X	INCL KEYS 7,8 (SUB FOR AZ19277)
2	AZ22178	OIL LINE	1		X X	INCL KEYS 7,8 (SUB FOR AZ19278)
3	AZ22218	OIL LINE	1		X X	INCL KEYS 7,8 (SUB FOR AZ19318)
4	AZ22219	OIL LINE	1		X X	INCL KEYS 7,8 (SUB FOR AZ19319)
5	AZ22255	LINE	1		X	INCL KEYS 7,8 (SUB FOR AZ20412)
	AZ22255	LINE	1	- 941030	X	INCL KEYS 7,8 (SUB FOR AZ20412)
6	AZ22611	LINE	1	941031	X	INCL KEYS 7,8 (SUB FOR AZ21205)
	AZ22256	LINE	1	- 941030	X	INCL KEYS 7,8 (SUB FOR AZ20413)
	AZ22256	LINE	1		X	INCL KEYS 7,8 (SUB FOR AZ20413)
7	AZ22612	LINE	1	941031	X	INCL KEYS 7,8 (SUB FOR AZ21206)
8	Z32975	TUBE NUT	12		X X	(SUB FOR Z22349)
	Z32997	SLEEVE FITTING	12		X X	(SUB FOR Z22350)
9	Z32981	UNION FITTING	4		X X	(SUB FOR Z22716)
10	AZ21972	ELBOW FITTING	1		X X	INCL KEYS 7,8 (SUB FOR AZ21273)
11	Z22268	CLAMP	1		X X	

(1C09) INDICATORS
INDICATEURS
ANZEIGGERAETE
INDICATORI
INDICADORES
MAETARE

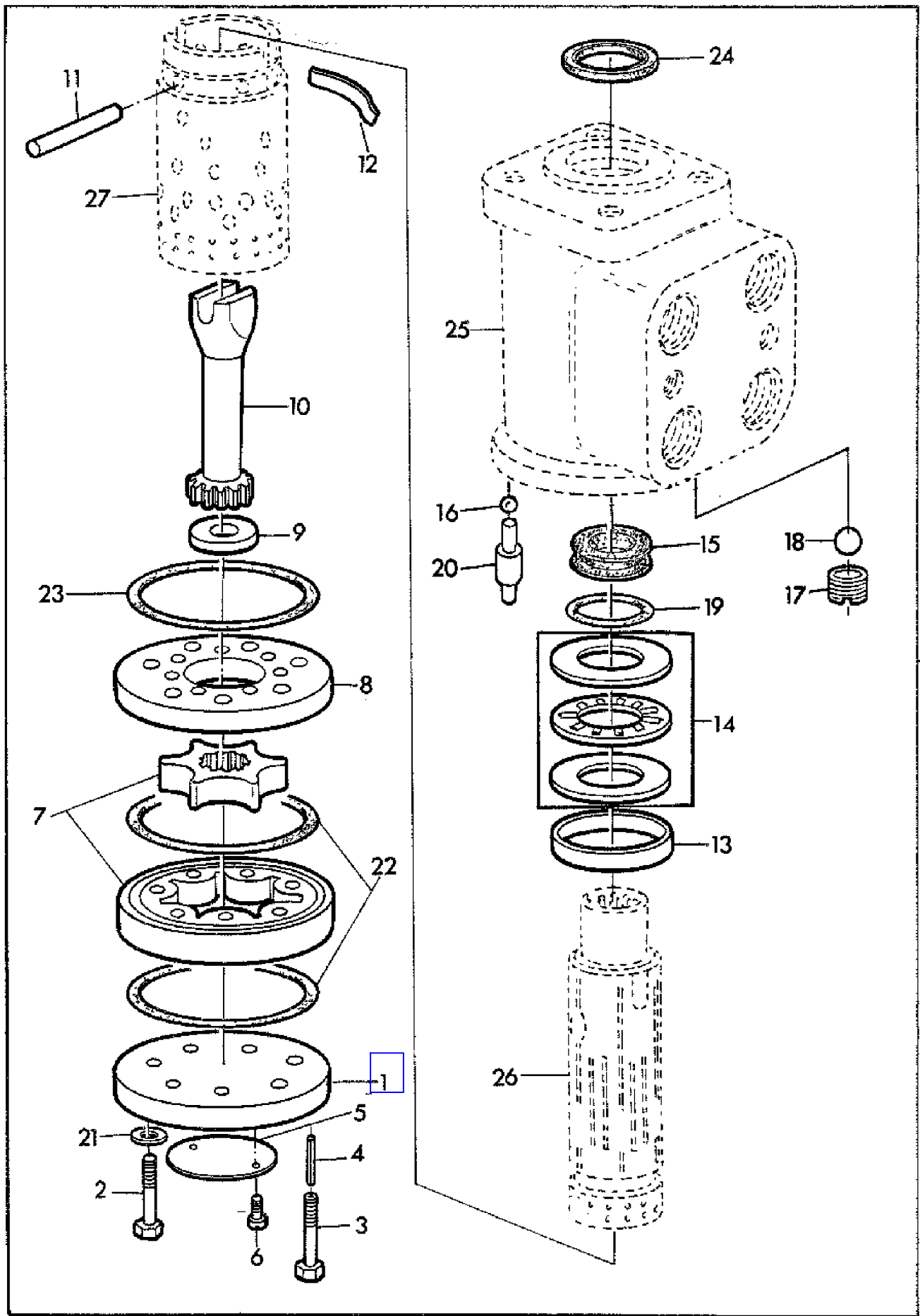


Z 55759

(1C09) INDICATORS
 INDICATEURS
 ANZEIGEGERAETE
 INDICATORI
 INDICADORES
 MAETARE

KEY	PART NO.	PART NAME	QTY	SERIAL NO.	9 9 3 4 0 0	REMARKS
1	Z30003	CASE	1		XX	
2	AZ18578	PUSH PULL CABLE	1		XX	LH
3	L12259	SPRING	2		XX	
4	Z30000	POINTER	2		XX	
5	Z22069	CLAMP	5		XX	
6	Z30002	RETAINER	1		XX	
7	24M7113	WASHER	3		XX	
8	Z29999	RETAINER	1		XX	
9	21M7082	SCREW	2		XX	M6 X 18
10	12M7012	LOCK WASHER	2		XX	6 MM
11	14M7027	NUT	2		XX	M6
12	AZ18579	HOUSING	1		XX	
13	19M7319	SCREW	4		XX	M6 X 60
14	AZ20466	CABLE	1		XX	RH
15	Z25419	EYELET	1		XX	
16	Z31807	HOLDER	1		XX	
17	19M7288	CAP SCREW	1		XX	M8 X 30
18	12M7008	LOCK WASHER	2		XX	8 MM
19	14M7029	NUT	2		XX	M8
20	Z30001	HOLDER	1		XX	
21	21M7161	SCREW	1		XX	M8 X 30
22	14M7166	LOCK NUT	1		XX	M8
23	24M7036	WASHER	1		XX	9 MM

(1F17) INDIVIDUAL PARTS FOR "DANFOSS" STEERING
PIECES DETACHEES POUR DIRECTION "DANFOSS"
EINZELTEILE ZUR LENKUNG "DANFOSS"
SINGOLE PARTI DELLO STERZO "DANFOSS"
PIEZAS PARA LA DIRECCION "DANFOSS"
BESTANDSDELAR FOR "DANFOSS" STYRNING

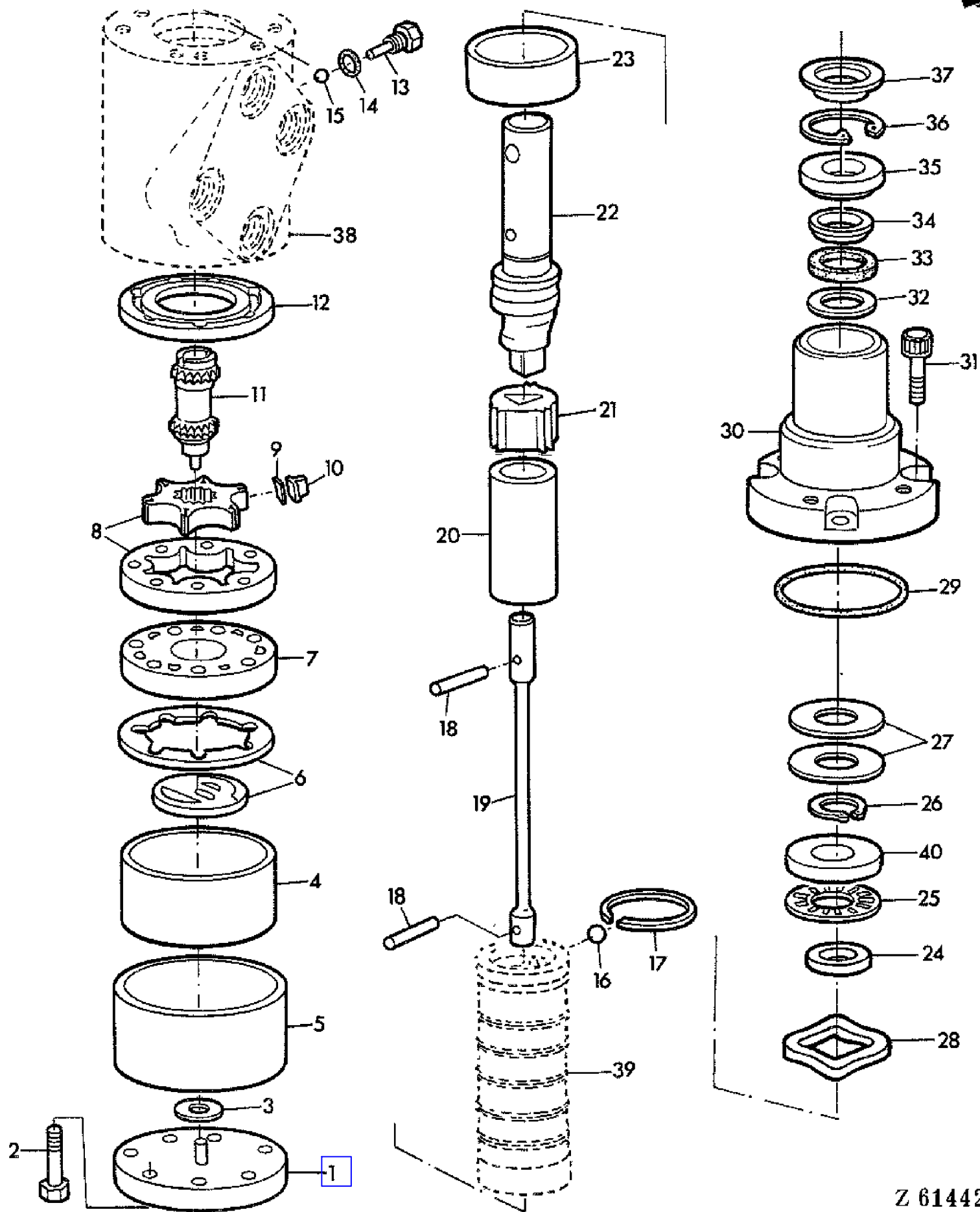


Z 38709

(1F17) INDIVIDUAL PARTS FOR "DANFOSS" STEERING
 PIECES DETACHEES POUR DIRECTION "DANFOSS"
 EINZELTEILE ZUR LENKUNG "DANFOSS"
 SINGOLE PARTI DELLO STERZO "DANFOSS"
 PIEZAS PARA LA DIRECCION "DANFOSS"
 BESTANDSDELAR FOR "DANFOSS" STYRNING

KEY	PART NO.	PART NAME	QTY	SERIAL NO.	9 9 3 4 0 0	REMARKS
1	Z31359	COVER	1		XX	
2	Z31362	CAP SCREW	6		XX	
3	Z31361	CAP SCREW	1		XX	
4	Z31360	SPRING PIN	1		XX	
5	Z31363	SERIAL NUMBER PLATE	1		XX	
6	Z31364	SCREW	2		XX	
7	AZ20005	STEERING METERING PUMP	1		XX	
8	Z31358	DISTRIBUTOR PLATE	1		XX	
9	Z31357	WASHER	1		XX	
10	Z31356	DRIVE SHAFT	1		XX	
11	Z31354	PIN	1		XX	
12	AZ25154	LEAF SPRING	1		XX	KIT (SUB FOR Z31355)
13	Z31353	RING	1		XX	
14	AL36989	THRUST BEARING	1		XX	
15	Z31455	BACK-UP RING	1		XX	KIT (SUB FOR AZ20006, Z31351, Z31352)
16	Z36098	BALL	2		XX	
17	Z31350	PIPE PLUG	1		XX	
18	Z31349	BALL	1		XX	
19	Z31452	O-RING	1		XX	(ORD AZ20003)
20	AZ25845	PIN	1		XX	(SUB FOR Z36100, Z36148, Z36149)
21	DISK	6		XX	(ORD AZ20003)
22	O-RING	2		XX	(ORD AZ20003)
23	O-RING	1		XX	(ORD AZ20003)
24	GASKET	1		XX	(ORD AZ20003)
25	HOUSING	1		XX	(ORD AZ25103)
26	SPOOL VALVE	1		XX	(ORD AZ25103)
27	VALVE SPOOL	1		XX	(ORD AZ25103)
28	AZ25103	STEERING METERING PUMP	1		XX	INCL KEYS 1-27 (SUB FOR AZ20002)
..	AZ20003	SEAL KIT	1		XX	KIT, INCL KEYS 15,19,21-24

(1F13) INDIVIDUAL PARTS FOR "ROSS" STEERING
PIECES DETACHEES POUR DIRECTION "ROSS"
EINZELTEILE ZUR LENKUNG "ROSS"
SINGOLE PARTI DELLO STERZO "ROSS"
PIEZAS PARA LA DIRECCION "ROSS"
BESTANDSDELAR FOER "ROSS" STYRNING



Z 61442

(1F13) INDIVIDUAL PARTS FOR "ROSS" STEERING
 PIECES DETACHEES POUR DIRECTION "ROSS"
 EINZELTEILE ZUR LENKUNG "ROSS"
 SINGOLE PARTI DELLO STERZO "ROSS"
 PIEZAS PARA LA DIRECCION "ROSS"
 BESTANDSDELAR FOER "ROSS" STYRNING

KEY	PART NO.	PART NAME	QTY	SERIAL NO.	9 9 3 4 0 0	REMARKS
1	AZ19994	COVER	1		XX	
2	Z31342	CAP SCREW	7		XX	5/16" - 18 X 2 - 1/2"
3	Z31341	WASHER	1		XX	
4	Z31339	RETAINER	1		XX	
5	Z31340	SEAL	1		XX	
6	AZ19993	CONVERTER	1		XX	
7	AZ19992	DISTRIBUTOR PLATE	1		XX	
8	AZ19991	STEERING METERING PUMP	1		XX	
9	Z31337	LEAF SPRING	6		XX	
10	Z31338	VANE	6		XX	
11	Z31335	SHAFT	1		XX	
12	Z31336	DISTRIBUTOR PLATE	1		XX	
13	AZ19995	VALVE	1		XX	
14	R26287	O-RING	1		XX	
15	Z31344	BALL	1		XX	1/4"
16	R36552	VALVE	1		XX	5/16" (SUB FOR Z31326)
17	Z31327	SNAP RING	1		XX	
18	Z31321	PIN	2		XX	
19	AZ19988	SHAFT	1		XX	
20	Z31320	SPACER	1		XX	
21	Z31319	BUSHING	1		XX	
22	Z31318	DRIVE SHAFT	1		XX	
23	Z31328	SPACER	1		XX	
24	Z32850	THRUST WASHER	1		XX	
25	AZ19989	NEEDLE BEARING	1		XX	
26	Z31322	SNAP RING	1		XX	
27	Z31324	SHIM	AR		XX	.005"
	Z31323	SHIM	AR		XX	.010"
	Z32164	SHIM	AR		XX	
	Z32849	SHIM	AR		XX	
28	Z32851	WASHER	1		XX	
29	Z31329	SEAL	1		XX	
30	Z35595	HOUSING	1		XX	(SUB FOR AZ19990)
31	Z31330	BOLT	4		XX	5/16" - 18 X 3/4"
32	SEAL	1		XX	(ORD AH91068)
33	GASKET	1		XX	(ORD AH91068)
34	GASKET	1		XX	(ORD AH91068)
35	SEAL	1		XX	(ORD AH91068)
36	H35226	SNAP RING	1		XX	

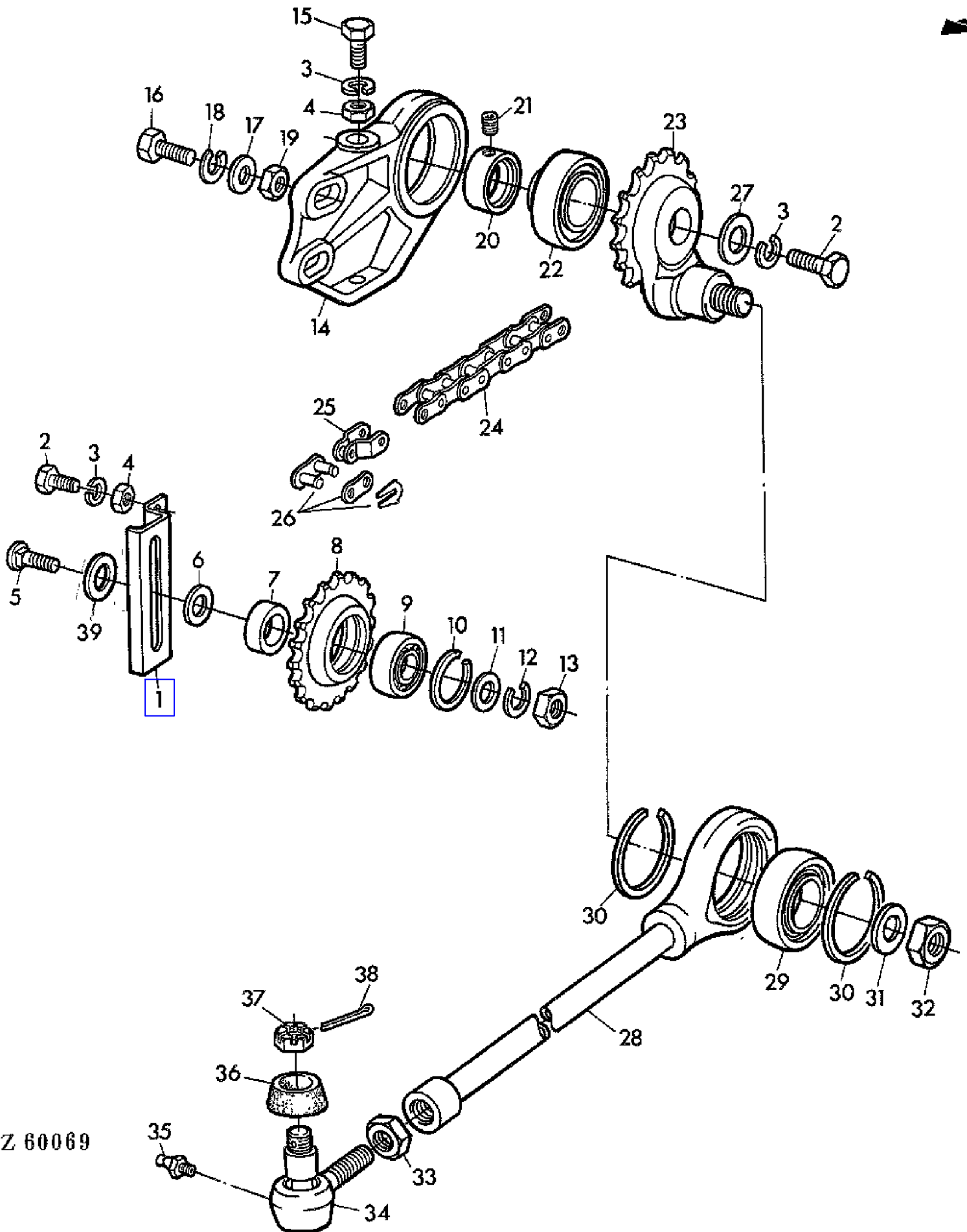
(A) ORDER AZ25103,AZ20004,AZ18426,Z29745,Z31192,19M7124
 COMMANDER AZ25103,AZ20004,AZ18426,Z29745,Z31192,19M7124
 BESTELLE AZ25103,AZ20004,AZ18426,Z29745,Z31192,19M7124
 ORDINARE AZ25103,AZ20004,AZ18426,Z29745,Z31192,19M7124
 PEDIR AZ25103,AZ20004,AZ18426,Z29745,Z31192,19M7124
 BESTALLA AZ25103,AZ20004,AZ18426,Z29745,Z31192,19M7124

(1F13) INDIVIDUAL PARTS FOR "ROSS" STEERING
PIECES DETACHEES POUR DIRECTION "ROSS"
EINZELTEILE ZUR LENKUNG "ROSS"
SINGOLE PARTI DELLO STERZO "ROSS"
PIEZAS PARA LA DIRECCION "ROSS"
BESTANDSDELAR FOER "ROSS" STYRNING

KEY	PART NO.	PART NAME	QTY	SERIAL NO.	9 9 3 4 0 0	REMARKS
37	SEAL	1		X X	(ORD AH91068)
38	HOUSING	1		X X	(A) (ORD AZ20000)
39	GUARD	1		X X	(A) (ORD AZ20000)
40	Z31325	THROW-OUT BEARING	1		X X	
..	AH91068	KIT	1		X X	KIT, INCL KEYS 32-35,37 (ORD AZ20001)

(A) ORDER AZ25103,AZ20004,AZ18426,Z29745,Z31192,19M7124
COMMANDER AZ25103,AZ20004,AZ18426,Z29745,Z31192,19M7124
BESTELLE AZ25103,AZ20004,AZ18426,Z29745,Z31192,19M7124
ORDINARE AZ25103,AZ20004,AZ18426,Z29745,Z31192,19M7124
PEDIR AZ25103,AZ20004,AZ18426,Z29745,Z31192,19M7124
BESTALLA AZ25103,AZ20004,AZ18426,Z29745,Z31192,19M7124

(1H12) KNIFE DRIVE
ENTRAINEMENTS DES LAMES
MESSERANTRIEB
COMANDO LAMA
MANDO DE LAS CUCHILLAS
KNIVDRIVNING

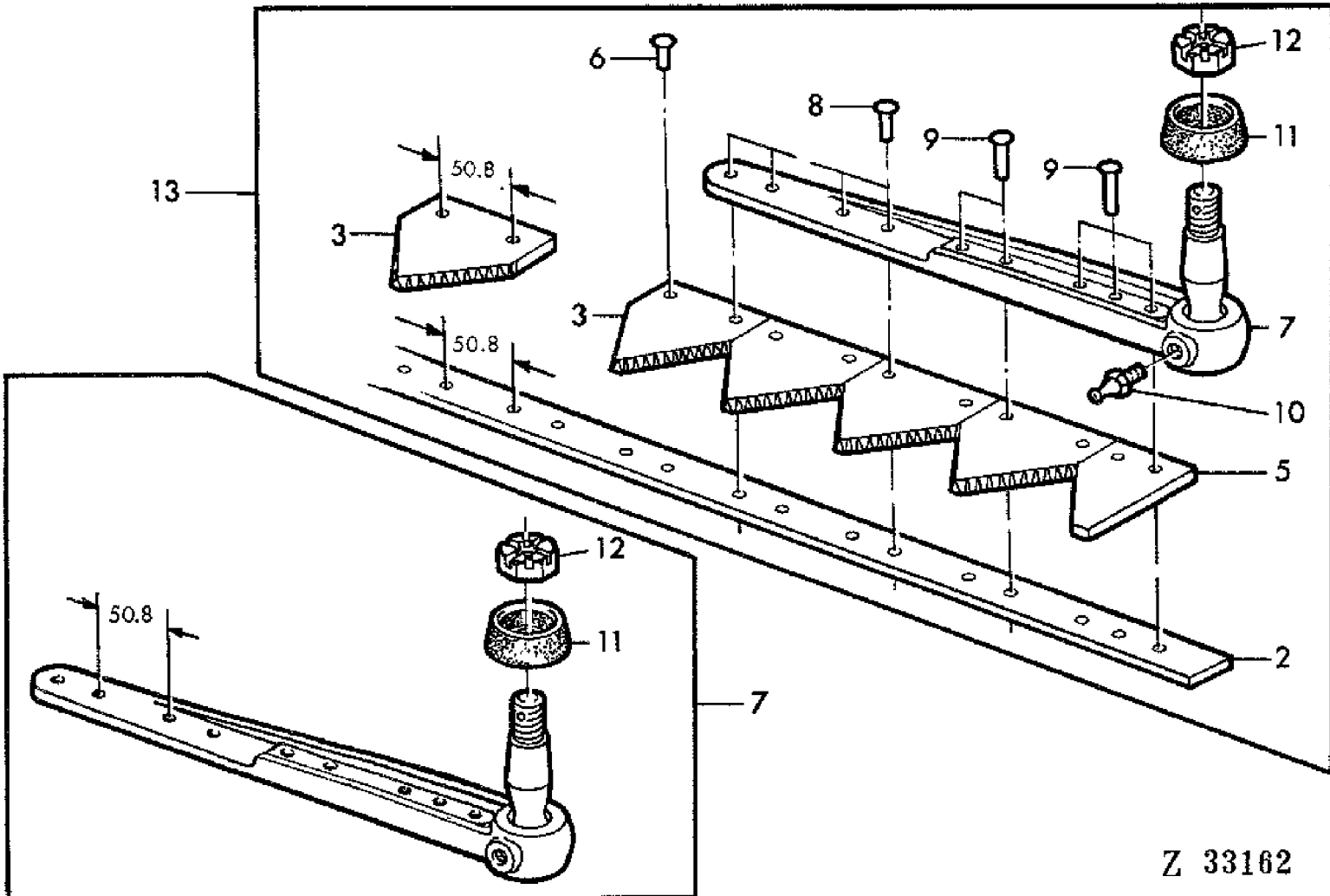
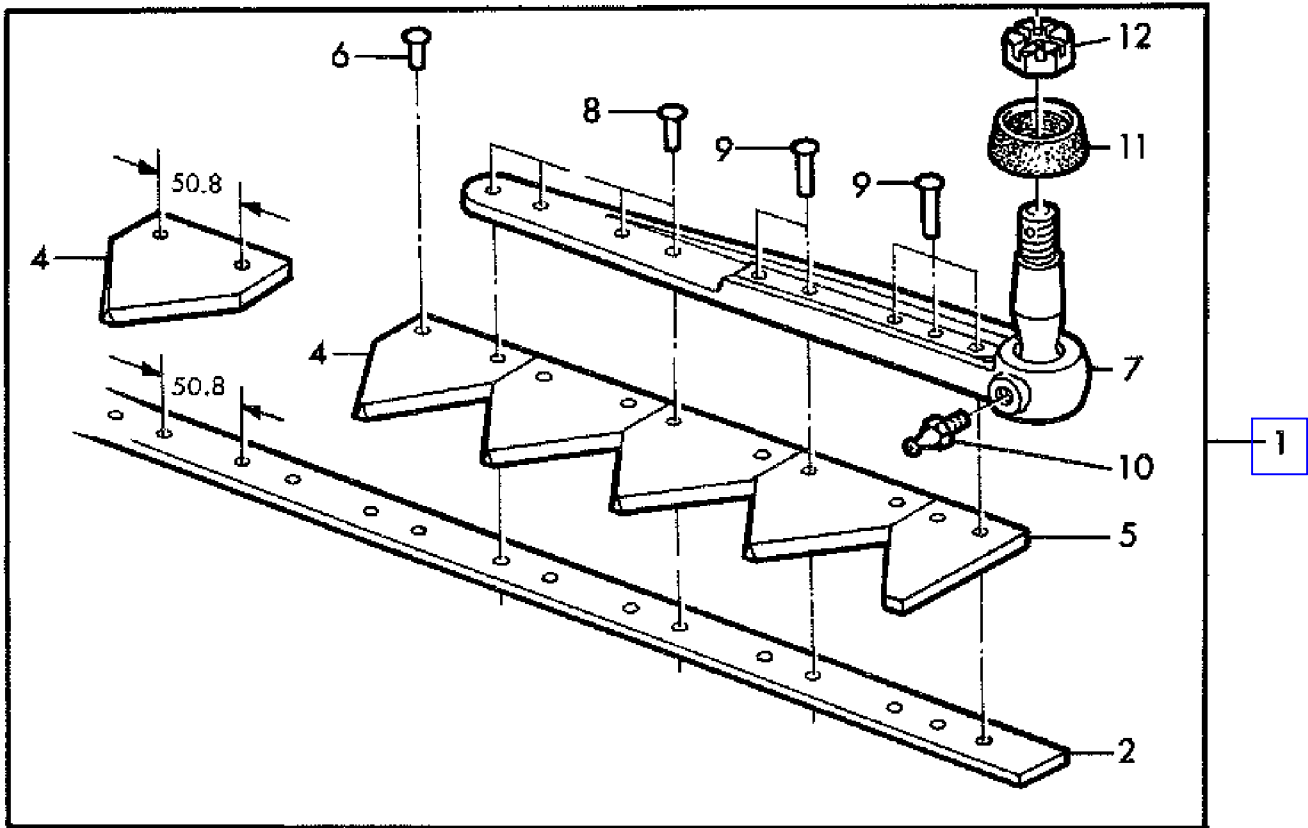


Z 60069

(1H12) KNIFE DRIVE
ENTRAINEMENTS DES LAMES
MESSERANTRIEB
COMANDO LAMA
MANDO DE LAS CUCHILLAS
KNIVDRIVNING

KEY	PART NO.	PART NAME	QTY	SERIAL NO.	9 3 0	9 4 0	REMARKS
1	Z20409	HOLDER	1		X		
2	19M7167	CAP SCREW	3		X		M10 X 25
3	12M7013	LOCK WASHER	5		X		10 MM
4	14M7140	NUT	4		X		M10
5	03M7129	BOLT	1	- 930250	X		M16 X 55
	03M7115	BOLT	1	930251 -	X		M16 X 50
6	L19386	WASHER	AR		X		
7	Z25755	WASHER	1	- 930250	X		
	Z21913	WASHER	1	930251 -	X		
8	Z10398	CHAIN SPROCKET	1		X		Z = 18
9	JD30324	BALL BEARING	1		X		
10	L49514	SNAP RING	1		X		
11	24M7041	WASHER	1		X		16 MM
12	12M7017	LOCK WASHER	1		X		16 MM
13	14M7142	NUT	1		X		M16
14	Z10059	HOUSING	1		X		
15	19M7168	CAP SCREW	2		X		M10 X 30
16	19M7171	CAP SCREW	2		X		M12 X 35
17	24M7038	WASHER	2		X		14 MM
18	12M7014	LOCK WASHER	2		X		12 MM
19	14M7031	NUT	2		X		M12
20	AZ10045	ECCENTRIC LOCKING COLLAR	1		X		
21	AZ19844	SET SCREW	1		X		KIT
22	JD39103	BALL BEARING	1		X		
23	Z10562	ECCENTRIC	1		X		
24	AZ14750	LINK CHAIN	1		X		L = 98
25	AZ12882	LINK	1		X		
26	AL14209	LINK	1		X		
27	Z26244	WASHER	1		X		(SUB FOR BP14099)
28	AZ10218	PITMAN	1		X		
29	JD10089	BALL BEARING	1		X		(SUB FOR JD9301)
30	P46874	SNAP RING	1		X		
31	Z26239	WASHER	1		X		(SUB FOR P44281)
32	14M7173	LOCK NUT	1		X		M20 X 1,5
33	H60364	NUT	1		X		
34	AH60493	BALL JOINT	1		X		
35	JD7781	LUBRICATION FITTING	1		X		
36	H33465	DUST SHIELD	1		X		
37	14H926	NUT	1		X		1/2"
38	11M7013	COTTER PIN	1		X		3 X 20 MM
39	Z24651	WASHER	1	930251 -	X		(SUB FOR L19223)

(1H10) KNIFE WITH 6 MM RIVETS
COUTEAU AVEC RIVETS DE 6MM
MESSER MIT NIETEN 6MM
LAMA CON RIVETTI DI 6MM
CUCHILLA CON REMACHES DE 6MM
KNIV MED 6MM NITNAGLER

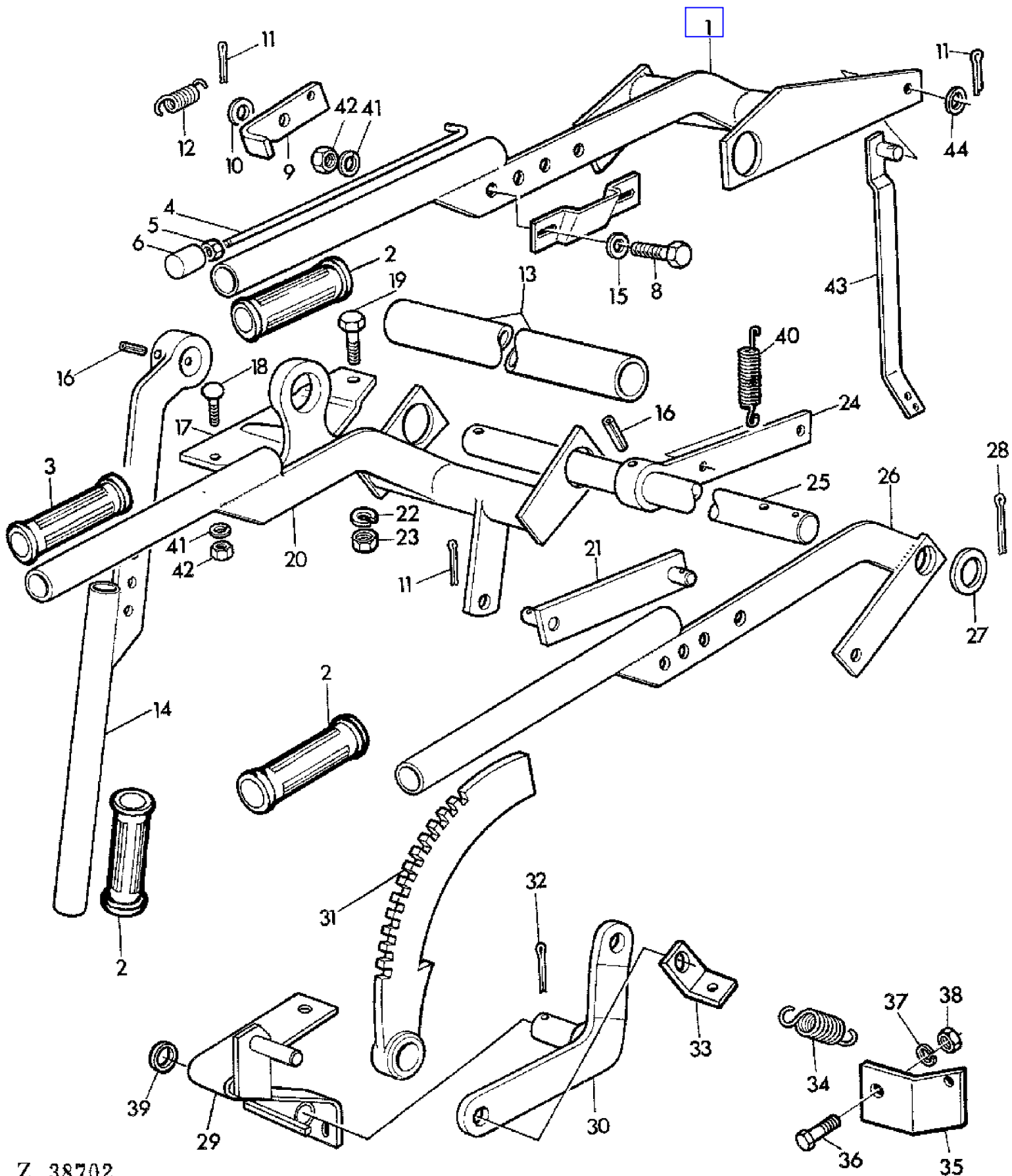


Z 33162

(1H10) KNIFE WITH 6 MM RIVETS
 COUTEAU AVEC RIVETS DE 6MM
 MESSER MIT NIETEN 6MM
 LAMA CON RIVETTI DI 6MM
 CUCHILLA CON REMACHES DE 6MM
 KNIV MED 6MM NITNAGLER

KEY	PART NO.	PART NAME	QTY	SERIAL NO.	9 9 3 4 0 0	REMARKS
1	AZ16944	CUTTERBAR	1		X	8,5', INCL KEYS 2,4-12 (ORD AZ27463)
	AZ16945	CUTTERBAR	1		X	10', INCL KEYS 2,4-12 (ORD AZ27464)
2	Z24320	KNIFEBACK	1		X	7,9'
	Z21429	KNIFEBACK	1		X	8,5'
	Z21448	KNIFEBACK	1		X	10'
3	P49650	SECTION	AR		X	
4	Z28262	SECTION	AR		X	
5	H33433	SECTION	AR		X	
6	16M2524	RIVET	AR		X	6 X 18 MM
7	AH60492	KNIFEHEAD	1		X	INCL KEYS 11,12
8	16M2527	RIVET	4		X	6 X 25 MM
9	16M4666	RIVET	3		X	6 X 28 MM
10	JD7781	LUBRICATION FITTING	1		X	
11	H33465	DUST SHIELD	1		X	
12	14H926	NUT	1		X	1/2"
13	AZ13992	CUTTERBAR	1		X	7,9', INCL KEYS 2,3,5-12 (ORD AZ27454)
	AZ10802	CUTTERBAR	1		X	8,5', INCL KEYS 2,3,5-12 (ORD AZ27455)
	AZ10803	CUTTERBAR	1		X	10', INCL KEYS 2,3,5-12 (ORD AZ27456)

(1C19) LEFT-HAND SHIFT LEVER
LEVIER DE COMMANDE GAUCHE
BEDIENUNGSHEBEL LINKS
LEVA SINISTRA DI AZIONAMENTO
PALANCA DE CAMBIO IZQUIERDA
VANSTER VAXELSPAK



Z 38702

(1C19) LEFT-HAND SHIFT LEVER
LEVIER DE COMMANDE GAUCHE
BEDIENUNGSHEBEL LINKS
LEVA SINISTRA DI AZIONAMENTO
PALANCA DE CAMBIO IZQUIERDA
VANSTER VAXELSPAK

KEY	PART NO.	PART NAME	QTY	SERIAL NO.	9 9 3 4 0 0	REMARKS
1	AZ10980	LEVER	1		XX	
2	Z26791	HANDLE	3		XX	(A)
3	Z30976	HANDLE	1		XX	(B)
4	Z21824	HOOK BOLT	1		XX	
5	14M7027	NUT	1		XX	M6
6	Z21823	KNOB	1		XX	
7	Z36022	RETAINER	1		XX	(SUB FOR Z10205)
8	19M7163	CAP SCREW	2		XX	M3 X 25
9	Z21834	LATCH	1		XX	
10	24M7040	WASHER	1		XX	11 MM
11	11M7014	COTTER PIN	4		XX	3 X 25 MM
12	Z21613	EXTENSION SPRING	1		XX	
13	Z21826	PIPE	1		XX	
14	AZ10974	LEVER	1		XX	
15	24M7036	WASHER	2		XX	9 MM
16	34M7047	SPRING PIN	2		XX	
17	Z10207	BEARING	2		XX	
18	21M7126	SCREW	2		XX	M8 X 35
19	19M7167	CAP SCREW	1		XX	M10 X 25
20	AZ10976	LEVER	1		XX	
21	AZ10984	STRAP	1		XX	
22	12M7013	LOCK WASHER	1		XX	10 MM
23	14M7140	NUT	1		XX	M10
24	AZ10975	LEVER	1		XX	
25	Z21828	SHAFT	1		XX	
26	AZ13715	LEVER	1		XX	
27	24M7091	WASHER	1		XX	
28	11M7038	COTTER PIN	1		XX	6 X 45 MM
29	AZ30655	BRACKET	1		XX	(SUB FOR AZ28600, Z10203)
30	Z10202	LEVER	1		XX	
31	Z11323	SECTOR	1		XX	(SUB FOR Z10248)
32	11M7022	COTTER PIN	1		XX	4 X 30 MM
33	Z22572	HOLDER	1		XX	
34	E10073	SPRING	1		XX	
35	Z22573	STRAP	AR		XX	
36	19M7171	CAP SCREW	AR		XX	M12 X 35
37	12M7014	LOCK WASHER	AR		XX	12 MM
38	14M7031	NUT	AR		XX	M12
39	24M7051	WASHER	1		XX	21 MM

(A) BLACK
NOIR
SCHWARZ
NERO
NEGRO
SVART(B) YELLOW
JAUNE
GELB
GIALLA
AMARILLO
GUL

(1C19) LEFT-HAND SHIFT LEVER
LEVIER DE COMMANDE GAUCHE
BEDIENUNGSHEBEL LINKS
LEVA SINISTRA DI AZIONAMENTO
PALANCA DE CAMBIO IZQUIERDA
VANSTER VAXELSPAK

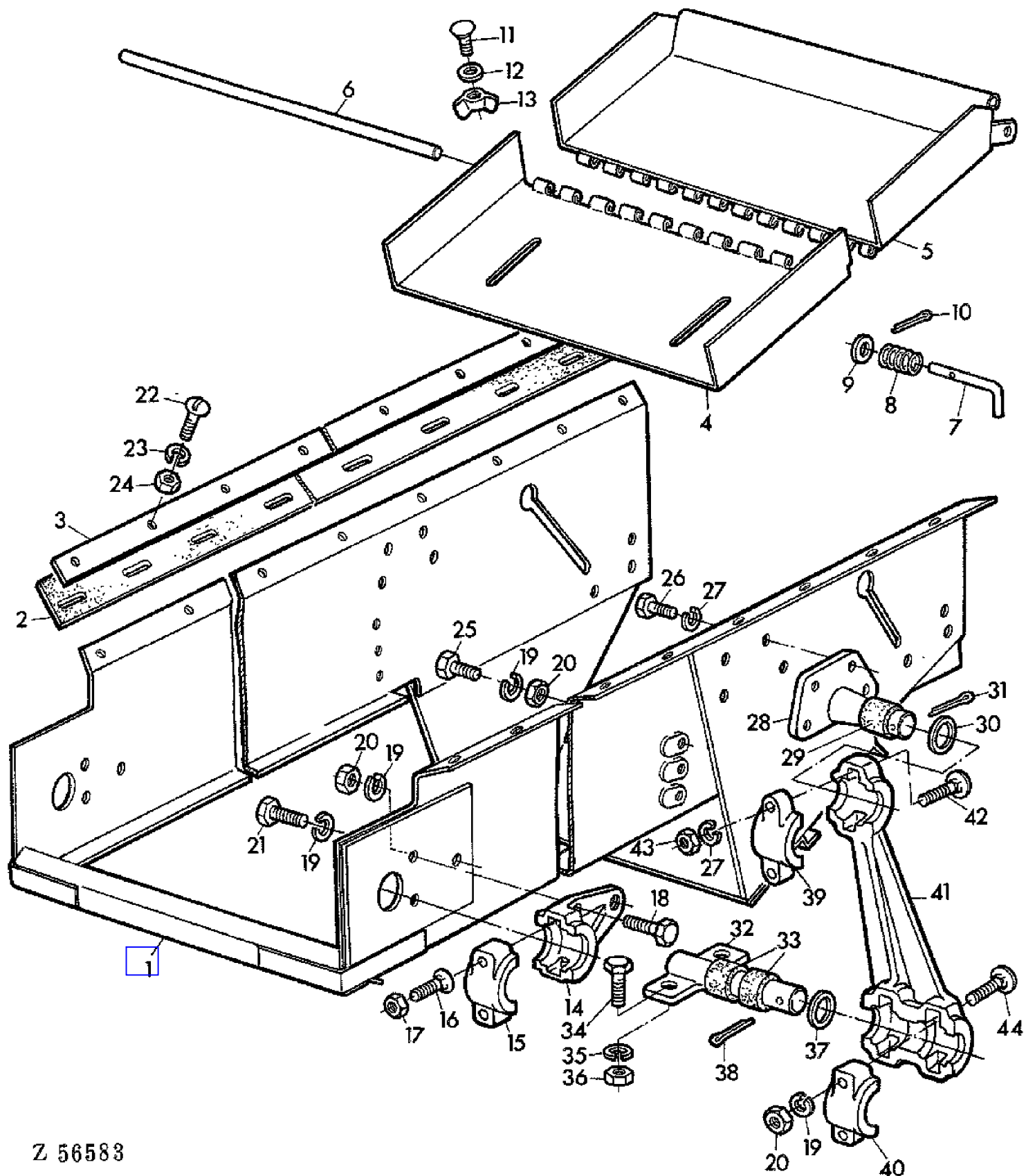
KEY	PART NO.	PART NAME	QTY	SERIAL NO.	9 9 3 4 0 0	REMARKS
40	Z22925	EXTENSION SPRING	1		X X	
41	12M7008	LOCK WASHER	4		X X	8 MM
42	14M7029	NUT	4		X X	M8
43	AZ13285	LEVER	1		X X	
44	24M7038	WASHER	1		X X	14 MM

(A) BLACK
NOIR
SCHWARZ
NERO
NEGRO
SVART

(B) YELLOW
JAUNE
GELB
GIALLA
AMARILLO
GUL

(2D11) LOWER CHAFFER BOARD

CAISSON SECOUEUR
SCHUETTELKASTEN
CASSONCINO
CAJA REMOVEDRO
SALLKASS



Z 56583

(2D11) LOWER CHAFFER BOARD

CAISSON SECOUEUR
SCHUETTELKASTEN
CASSONCINO
CAJA REMOVEDRO
SALLKASS

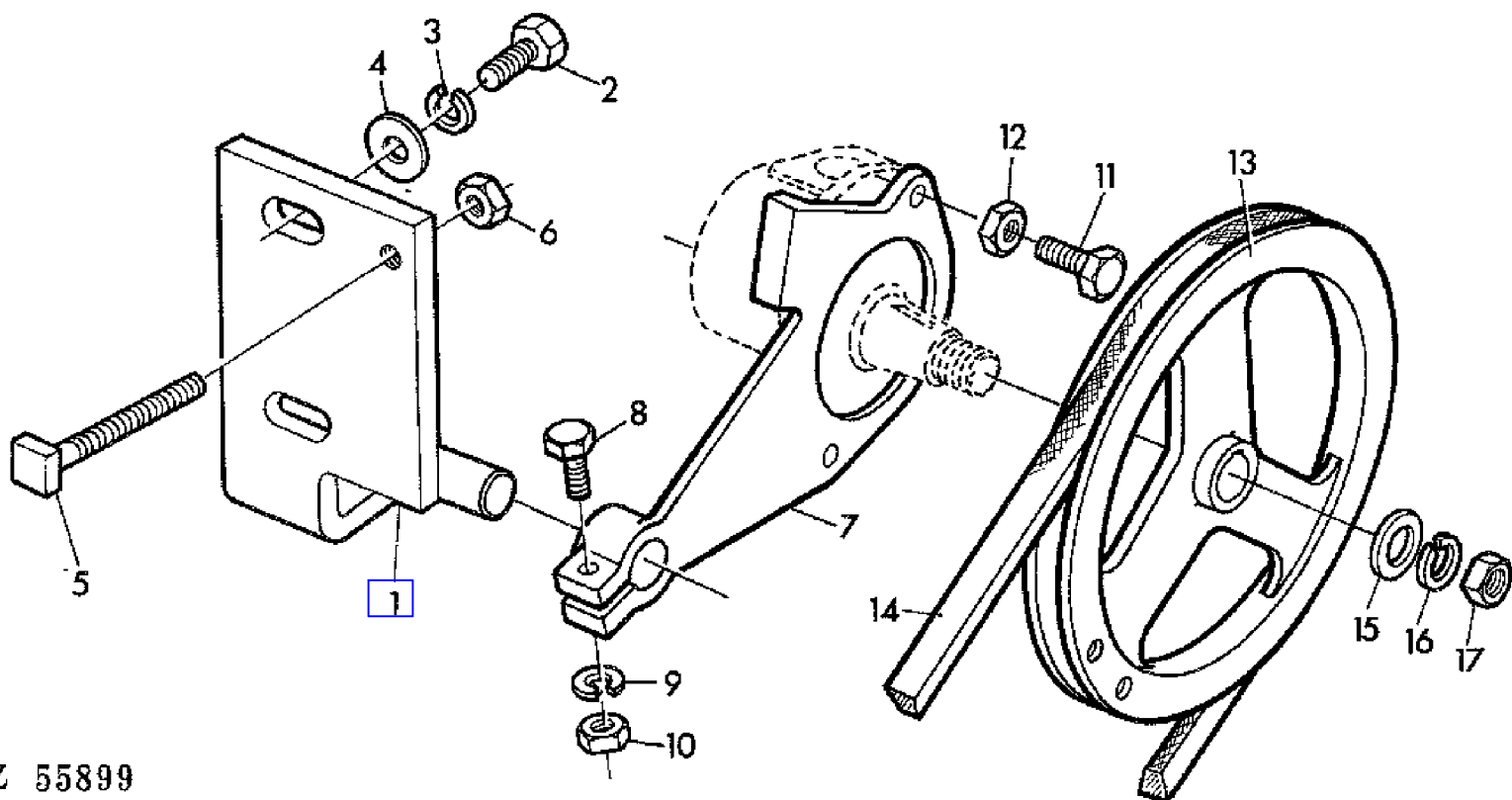
KEY	PART NO.	PART NAME	QTY	SERIAL NO.	9 9 3 4 0 0	REMARKS
1	AZ13646	COMBINE SHOE	1		X	
2	AZ13651	COMBINE SHOE	1		X	
	Z20261	GASKET	2		X	
3	Z20262	GASKET	2		X	
	Z20259	REINFORCEMENT	2		X	
	Z20260	REINFORCEMENT	2		X	
4	AZ13647	EXTENSION	1		X	
5	AZ13652	EXTENSION	1		X	
	AZ20966	EXTENSION	1		X	(SUB FOR AZ13654)
6	AZ20967	DOOR	1		X	(SUB FOR AZ13653)
7	Z20276	PIN	1		X X	
	Z36530	PIN	2		X X	(SUB FOR Z20274)
8	Z20127	COMPRESSION SPRING	2		X X	(SUB FOR Z23940)
9	24M7096	WASHER	2		X X	10,5 MM
10	11M7013	COTTER PIN	2		X X	3 X 20 MM
11	03M7128	BOLT	2		X X	M8 X 20
12	24M7036	WASHER	2		X X	9 MM
13	Z20285	WING NUT	2		X X	
14	Z10008	HANGER	2		X X	
15	PK1931H	HOUSING	2		X X	
16	03M7059	BOLT	4		X X	M10 X 60
17	14M7167	LOCK NUT	4		X X	M10
18	19M7167	CAP SCREW	4		X X	M10 X 25
19	12M7013	LOCK WASHER	12		X X	10 MM
20	14M7140	NUT	10		X X	M10
21	19M7379	CAP SCREW	2		X X	M10 X 15
22	21M7031	SCREW	28		X X	M6 X 15
23	12M7012	LOCK WASHER	28		X X	6 MM
24	14M7027	NUT	28		X X	M6
25	19M7166	CAP SCREW	2		X X	M10 X 20
26	19M7297	CAP SCREW	2		X X	M8 X 12
27	12M7008	LOCK WASHER	6		X X	8 MM
28	AZ19242	SHAFT	2		X X	ASSY, INCL KEY 29
29	P42100	BUSHING	2		X X	
30	24M7049	WASHER	2		X X	18 MM
31	11M7020	COTTER PIN	2		X X	4 X 25 MM
32	AZ19244	SHAFT	2		X X	ASSY, INCL KEY 33
33	P49545	BUSHING	4		X X	
34	19M7285	CAP SCREW	4		X X	M12 X 30
35	12M7014	LOCK WASHER	4		X X	12 MM
36	14M7031	NUT	4		X X	M12
37	24M7091	WASHER	2		X X	26 MM
38	11M7027	COTTER PIN	2		X X	5 X 30 MM
39	PK1043H	HOUSING	2		X X	UP

(2D11) LOWER CHAFFER BOARD

CAISSON SECOUEUR
SCHUETTELKASTEN
CASSONCINO
CAJA REMOVEDRO
SALLKASS

KEY	PART NO.	PART NAME	QTY	SERIAL NO.	9 9 3 4 0 0	REMARKS
40	PK1931H	HOUSING	2		X X	LOW
41	Z10004	HANGER	2		X X	
42	03M7072	BOLT	4		X X	M8 X 40
43	14M7029	NUT	4		X X	M8
44	03M7079	BOLT	4		X X	M10 X 55

(1E08) MOUNTING PARTS FOR HYDRAULIC PUMP
PIECES D'ADAPTATION POUR POMPE HYDRAULIQUE
ANBAUTEILE FÜR HYDRAULIKPUMPE
PARTI DA MONTARE PER POMPA IDRAULICA
PIEZAS DE MONTAJE PARA BOMBA HIDRAULICA
MONTERINGSDETALJER FOER HYDRAULPUMP

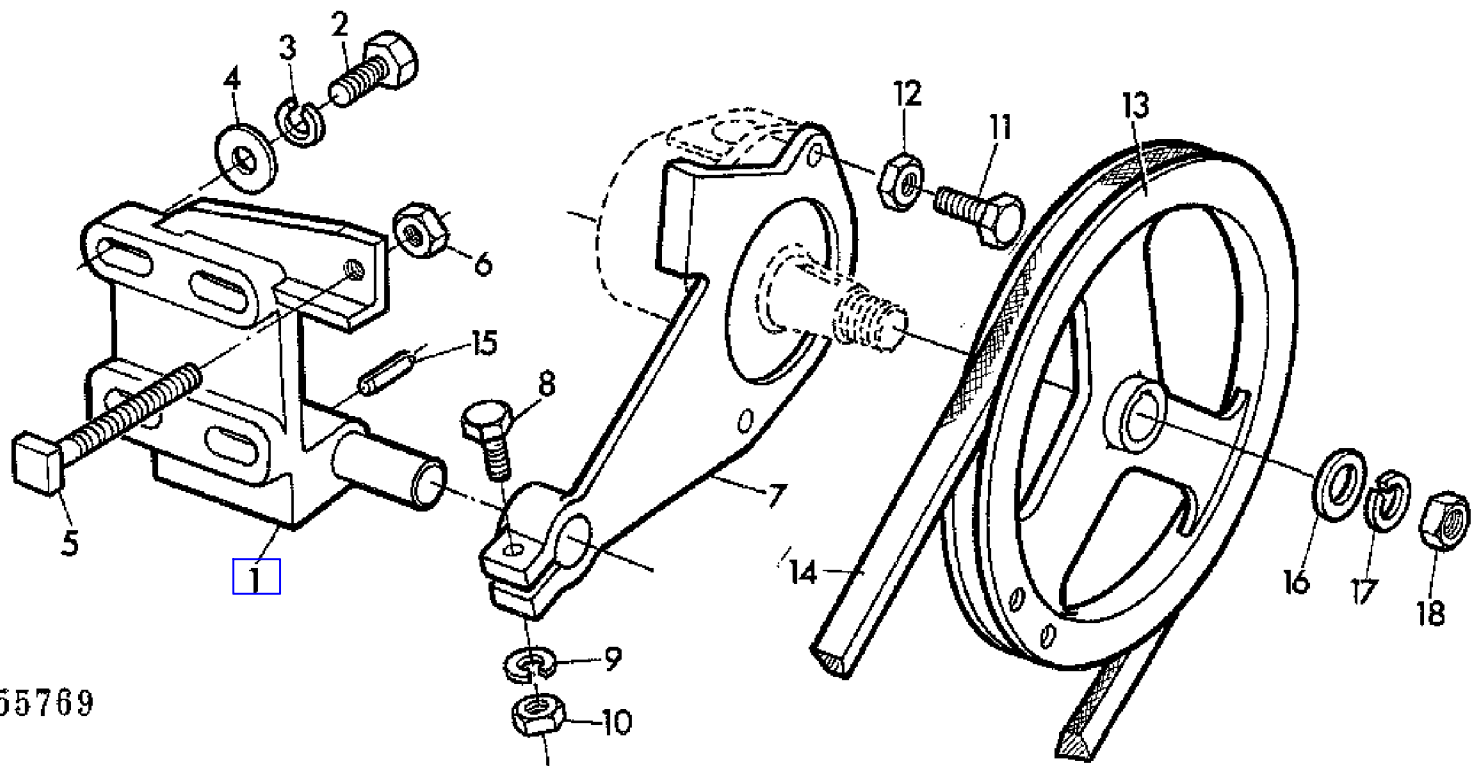


Z 55899

(1E08) MOUNTING PARTS FOR HYDRAULIC PUMP
 PIECES D'ADAPTATION POUR POMPE HYDRAULIQUE
 ANBAUTEILE FUER HYDRAULIKPUMPE
 PARTI DA MONTARE PER POMPA IDRAULICA
 PIEZAS DE MONTAJE PARA BOMBA HIDRAULICA
 MONTERINGSDETALJER FOER HYDRAULPUMP

KEY	PART NO.	PART NAME	QTY	SERIAL NO.	9 9 3 4 0 0	REMARKS
1	AZ19246	SUPPORT	1		X X	
2	19H2994	CAP SCREW	2		X X	5/8" X 1-1/2"
3	12M7017	LOCK WASHER	2		X X	
4	24M7048	WASHER	2		X X	
5	22M7060	SET SCREW	1		X X	M12 X 55
6	14M7031	NUT	1		X X	M12
7	Z10672	TIGHTENER	1		X X	
8	19M7378	CAP SCREW	1		X X	M8 X 45
9	12M7008	LOCK WASHER	1		X X	8 MM
10	14M7029	NUT	1		X X	M8
11	19M7168	CAP SCREW	2		X X	M10 X 30
12	14M7140	NUT	2		X X	M10
13	Z10836	PULLEY	1		X X	(SUB FOR Z10725)
14	Z30593	BELT	1		X X	
15	24M7113	WASHER	1		X X	17 MM
16	12M7013	LOCK WASHER	1		X X	10 MM
17	14H812	NUT	1		X X	3/8"

(1E09) MOUNTING PARTS FOR HYDRAULIC PUMP
PIECES D'ADAPTION POUR POMPE HYDRAULIQUE
ANBAUTEILE FUER HYDRAULIKPUMPE
PARTI DA MONTARE PER POMPA IDRAULICA
PIEZAS DE MONTAJE PARA BOMBA HIDRAULICA
MONTERINGSDELJER FOER HYDRAULPUMP

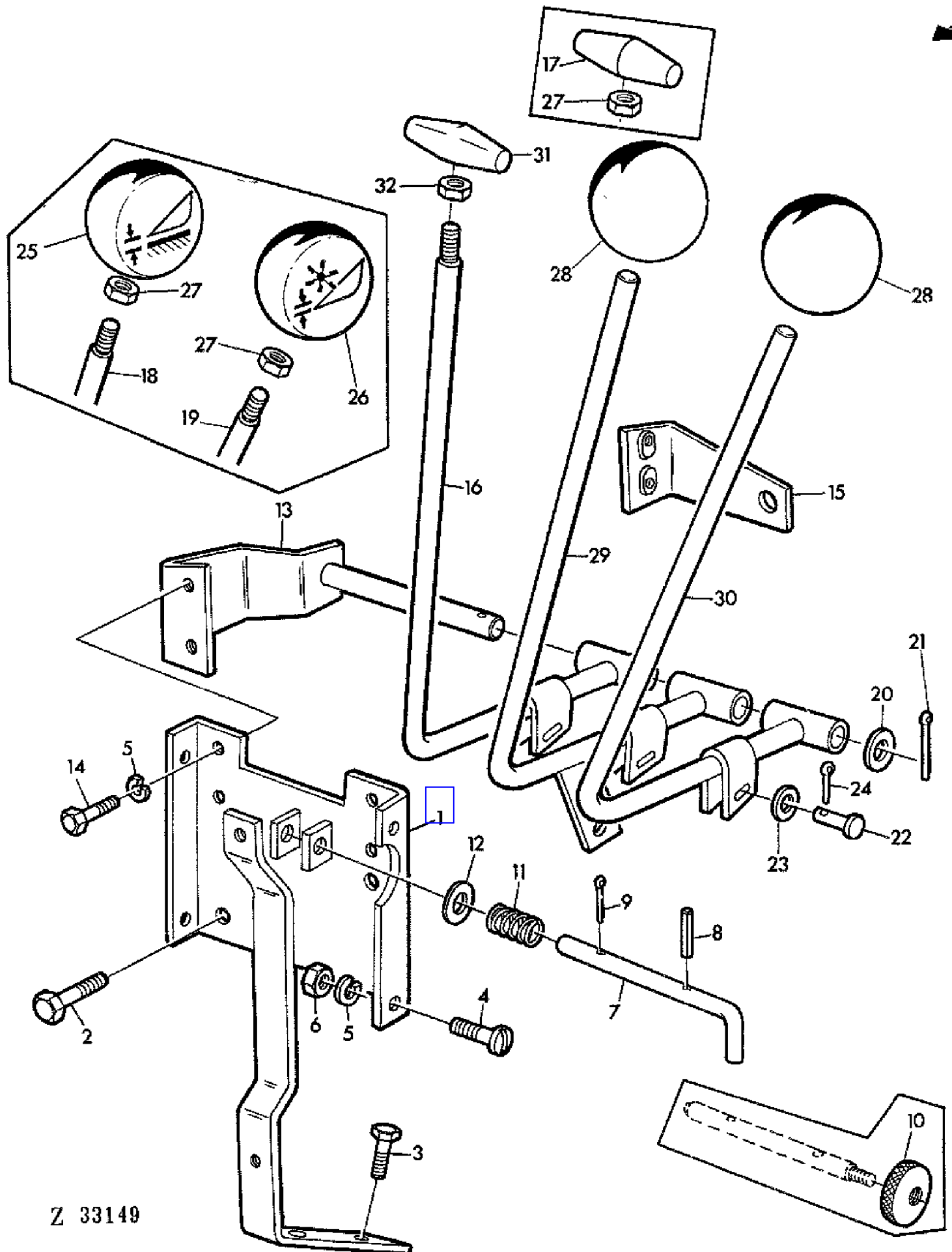


Z 55769

(1E09) MOUNTING PARTS FOR HYDRAULIC PUMP
 PIECES D'ADAPTION POUR POMPE HYDRAULIQUE
 ANBAUTEILE FUER HYDRAULIKPUMPE
 PARTI DA MONTARE PER POMPA IDRAULICA
 PIEZAS DE MONTAJE PARA BOMBA HIDRAULICA
 MONTERINGSDELJER FOER HYDRAULPUMP

KEY	PART NO.	PART NAME	QTY	SERIAL NO.	9 9 3 4 0 0	REMARKS
1	AZ18570	SUPPORT	1		X X	ASSY, INCL KEY 15
2	19H2591	CAP SCREW	4		X X	5/8" X 2"
3	12M7017	LOCK WASHER	4		X X	
4	24M7048	WASHER	4		X X	
5	22M7060	SET SCREW	1		X X	12 X 55 MM
6	14M7031	NUT	1		X X	M12
7	Z10672	TIGHTENER	1		X X	
8	19M7378	CAP SCREW	1		X X	M8 X 45
9	12M7008	LOCK WASHER	1		X X	8 MM
10	14M7029	NUT	1		X X	M8
11	19M7168	CAP SCREW	2		X X	M10 X 30
12	14M7140	NUT	2		X X	M10
13	Z10836	PULLEY	1		X X	(SUB FOR Z10725)
14	Z30593	BELT	1		X X	
15	34M7041	SPRING PIN	1		X X	6 X 36 MM
16	24M7113	WASHER	1		X X	17 MM
17	12M7013	LOCK WASHER	1		X X	10 MM
18	14H812	NUT	1		X X	3/8"

(1C25) OPERATING CONTROLS, RIGHT-HAND
COMMANDES DE CONDUITE, COTE DROIT
BEDIENUNGSHABEL RECHTS
LEVA DESTRA DI AZIONAMENTO
CONTROLES DE MANDO, LADO DERECHO
MANOVERSPAKAR, HOGER

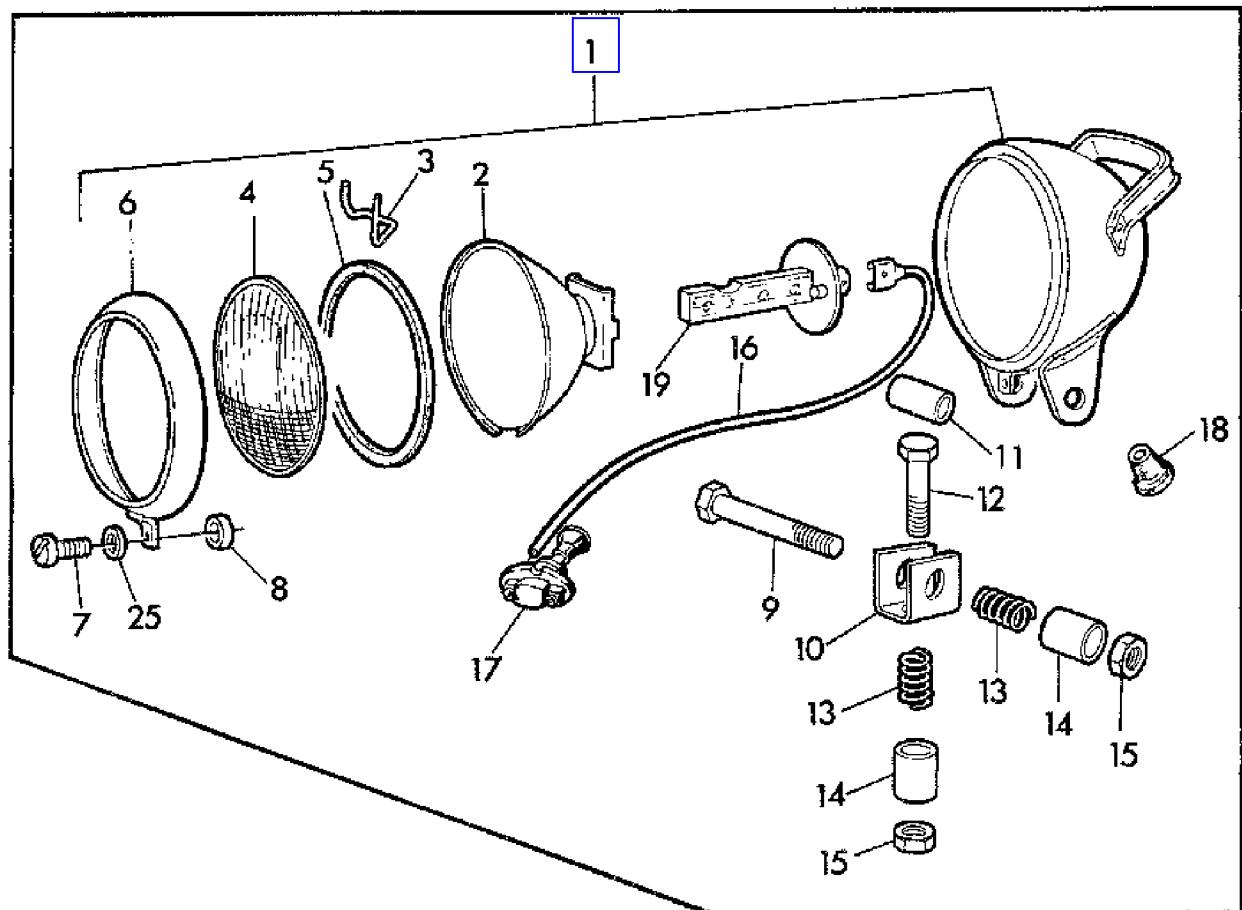
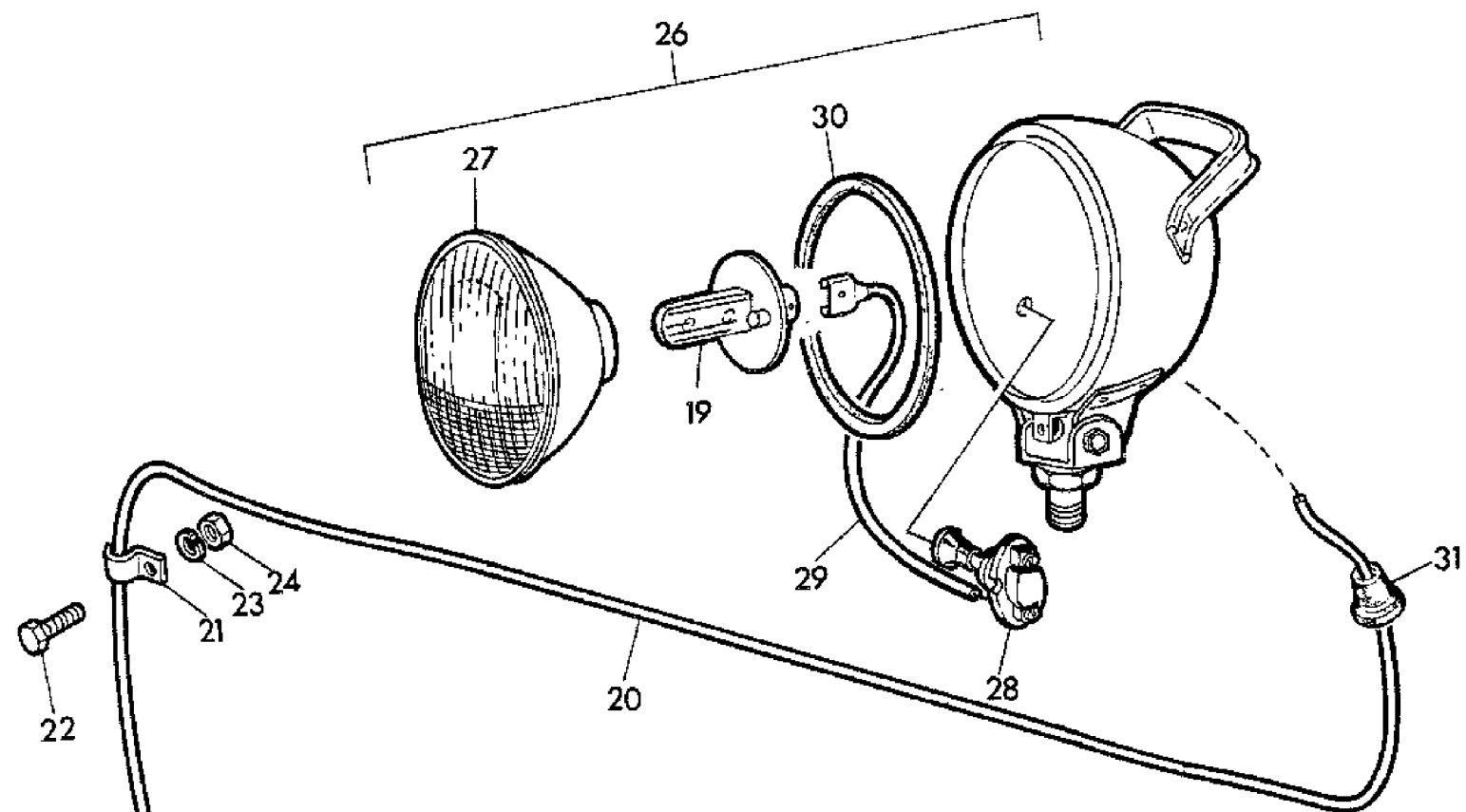


Z 33149

(1C25) OPERATING CONTROLS,RIGHT-HAND
COMMANDES DE CONDUITE,COTE DROIT
BEDIENUNGSHEBEL RECHTS
LEVA DESTRA DI AZIONAMENTO
CONTROLES DE MANDO,LADO DERECHO
MANOVERSPAKAR,HOGER

KEY	PART NO.	PART NAME	QTY	SERIAL NO.	9 9 3 4 0 0	REMARKS
1	AZ18475	PLATE	1		X X	
2	14M7029	NUT	2		X X	M8
3	19M7139	CAP SCREW	2		X X	M8 X 20
4	21M7031	SCREW	6		X X	M6 X 15
5	12M7012	LOCK WASHER	8		X X	6 MM
6	14M7027	NUT	4		X X	M6
7	Z29869	PIN	1		X X	
8	34M7010	SPRING PIN	1		X X	3 X 18 MM
9	11M7008	COTTER PIN	1		X X	2 X 15 MM
10	Z21761	KNOB	1		X X	AR
11	289SEL	SPRING	1		X X	
12	24M7055	WASHER	1		X X	
13	AZ18472	HOLDER	1		X X	
14	19M7159	CAP SCREW	4		X X	M6 X 15
15	AZ18473	HOLDER	1		X X	
16	AZ18478	LEVER	1		X X	(ORD AZ28713 W/ Z39303, 14M7031)
	AZ28713	LEVER	1	XXXX	X X	(SUB FOR AZ18478)
17	Z30244	GRIP	1		X X	
18	AZ18477	LEVER	1		X X	(ORD AZ25310 W/ AZ24086, Z36399)
19	AZ18476	LEVER	1		X X	(ORD AZ23511 W/ AZ24086, Z36399)
20	24M7043	WASHER	1		X X	
21	11M7014	COTTER PIN	1		X X	3 X 25 MM
22	Z29996	PIN	3		X X	
23	24M7027	WASHER	3		X X	5,3 MM
24	11M7006	COTTER PIN	3		X X	1,5 X 15 MM
25	Z22923	KNOB	AR		X X	(ORD AZ24086 W/ AZ25310, Z36399)
26	Z22922	KNOB	AR		X X	(ORD AZ24086 W/ AZ25310, Z36399)
27	14M7152	NUT	3		X X	10 MM (SUB FOR Z23533)
28	AZ24086	KNOB	AR		X X	
29	AZ25310	LEVER	1		X X	(SUB FOR AZ18477)
30	AZ25311	LEVER	1		X X	(SUB FOR AZ18476)
31	Z39303	KNOB	1	XXXX	X X	
32	14M7031	NUT	1	XXXX	X X	M12

(1D25) OPERATING LIGHT
PHARES DE TRAVAIL
ARBEITSSCHEINWERFER
PROIETTORI
FARO AUXILIAR DELANTERO
ARBETSLJUS



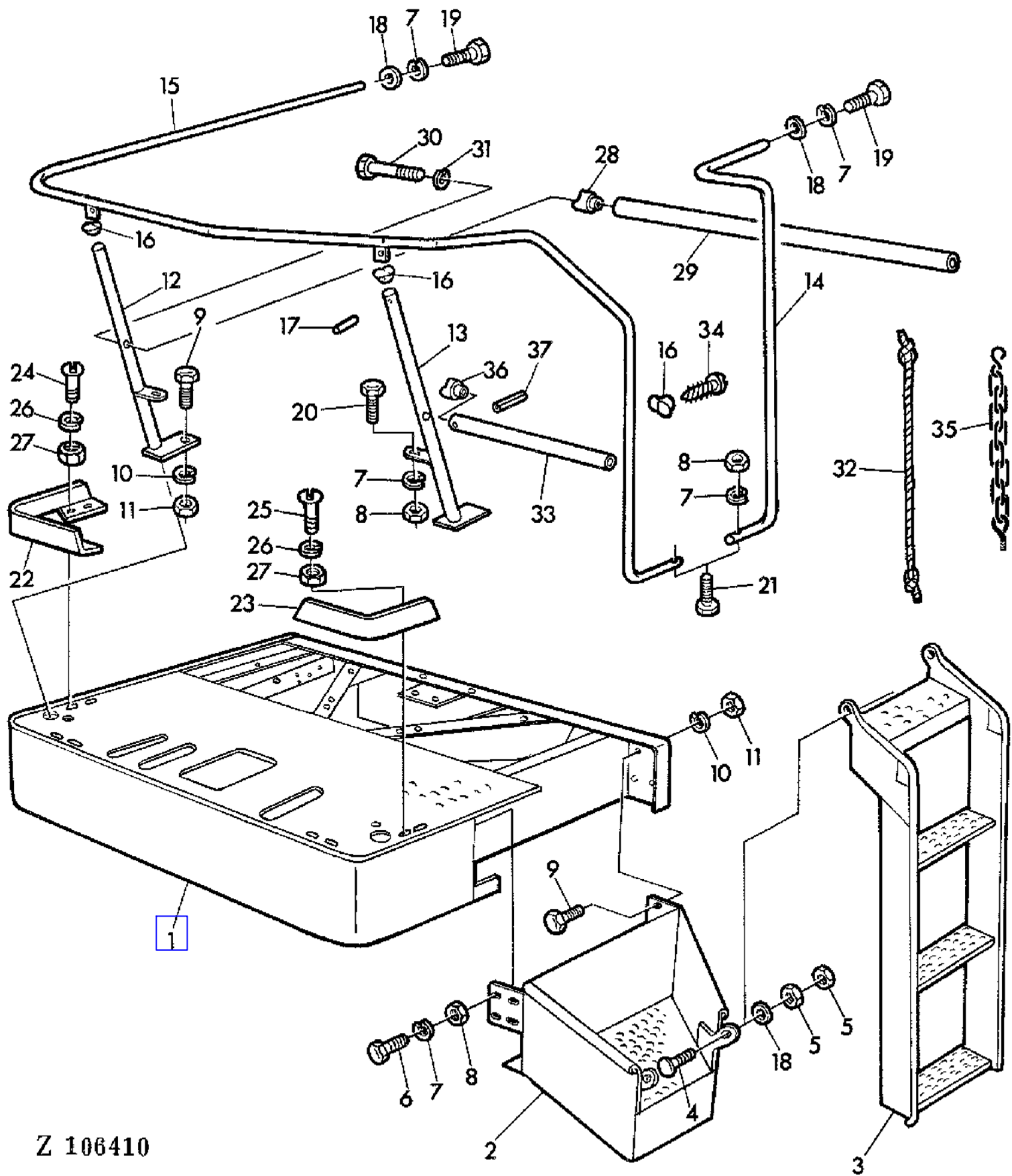
Z 18512

(1D25) OPERATING LIGHT
 PHARES DE TRAVAIL
 ARBEITSSCHEINWERFER
 PROIETTORI
 FARO AUXILIAR DELANTERO
 ARBETSLJUS

KEY	PART NO.	PART NAME	QTY	SERIAL NO.	9 9 3 4 0 0	REMARKS
1	AZ15671	FLOODLAMP	1		XX	ASSY (ORD AL29611)
2	AZ16166	REFLECTOR	1		XX	
3	Z27383	SPRING	4		XX	
4	Z27381	LENS	1		XX	
5	Z27382	GASKET	1		XX	
6	AZ16165	BEZEL	1		XX	
7	L13558	SCREW	1		XX	5 X 12 MM
8	L13560	WASHER	1		XX	
9	19M7328	CAP SCREW	1		XX	M10 X 70
10	CHANNEL	1		XX	(A)
11	BUSHING	1		XX	(A)
12	19M7183	CAP SCREW	1		XX	M10 X 40
13	COMPRESSION SPRING	2		XX	(A)
14	BUSHING	2		XX	(A)
15	14M7167	LOCK NUT	2		XX	10 MM
16	Z21990	WIRING LEAD	1		XX	
17	AZ16167	SWITCH	1		XX	
18	Z27384	GROMMET	AR		XX	
19	Z26998	BULB	1		XX	
20	AZ16537	WIRING LEAD	1		XX	(SUB FOR AZ12750)
21	Z23521	CLAMP	3		XX	
22	19M7159	CAP SCREW	3		XX	M6 X 15
23	12M7012	LOCK WASHER	3		XX	6 MM
24	14M7027	NUT	3		XX	M6
25	L13559	WASHER	1		XX	
26	AL29611	FLOODLAMP	1		XX	
27	AL29614	LAMP	1		XX	
28	AL29615	SWITCH	1		XX	
29	AT24696	CABLE	1		XX	
30	L33463	BEZEL	1		XX	
31	Z37882	GROMMET	1		XX	

(A) NOT PROVIDED AS SPARE PART
 NON LIVRABLE EN PIECE DETACHEE
 WIRD ALS ERSATZTEIL NICHT GELIEFERT
 NONE FORNITO COME RICAMBI
 NO SE SUMINISTRA COMO PIEZA DE RECAMBIO
 FINNS EJ SOM RESERVDEL

(1C03) OPERATOR'S PLATFORM
PLATE-FORME DU CONDUCTEUR
FAHRERPLATTFORM
PIATTAFORMA PER L'OPERATORE (POSTO DI GUIDA)
PLATAFORMA DEL OPERADOR
FOERARPLATTFORM



Z 106410

(1C03) OPERATOR'S PLATFORM
 PLATE-FORME DU CONDUCTEUR
 FAHRERPLATTFORM
 PIATTAFORMA PER L'OPERATORE (POSTO DI GUIDA)
 PLATAFORMA DEL OPERADOR
 FOERARPLATTFORM

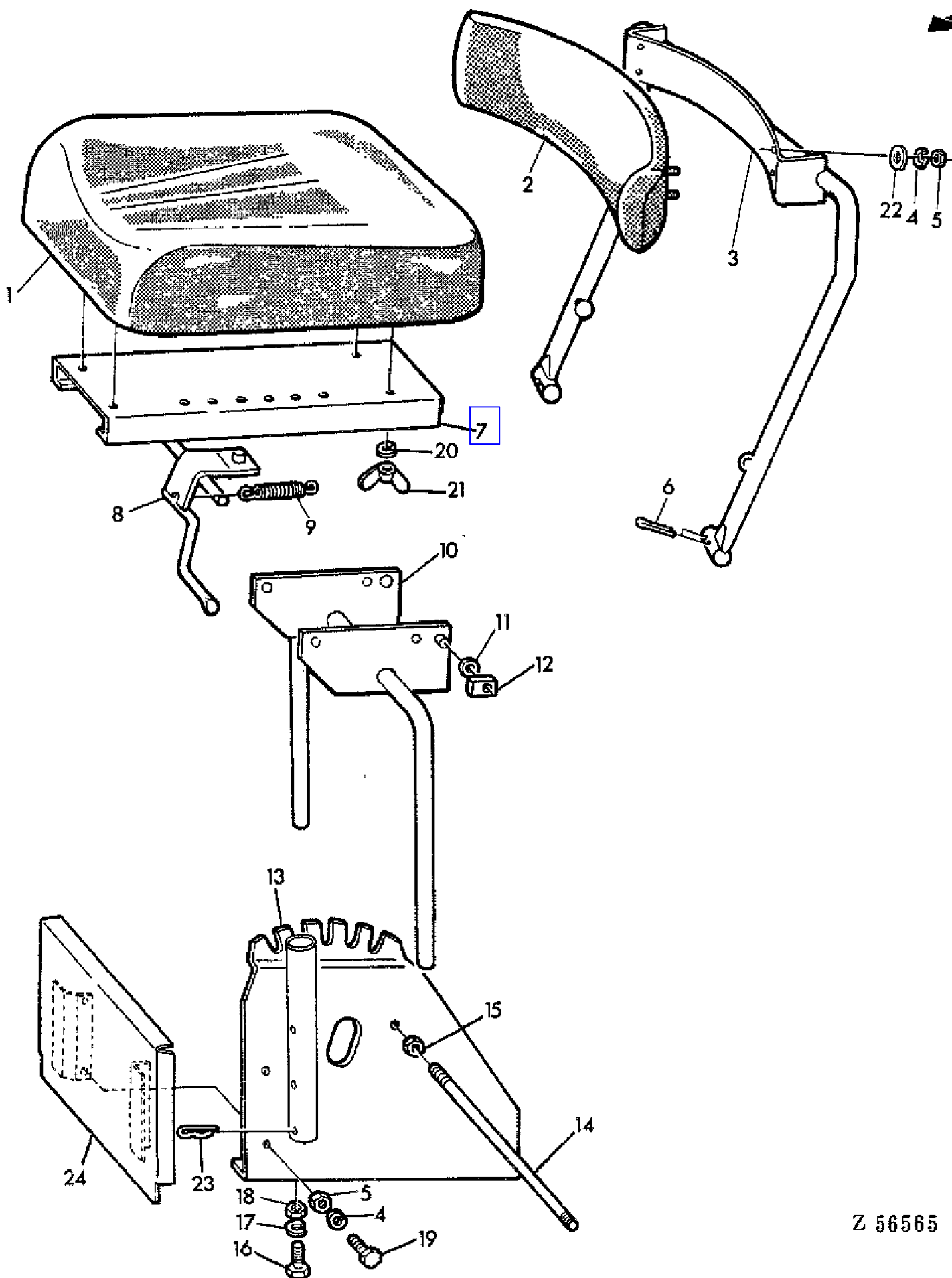
KEY	PART NO.	PART NAME	QTY	SERIAL NO.	9 9 3 4 0 0	REMARKS
1	AZ18378	PLATFORM	1		XX	
2	AZ18774	LADDER	1		XX	
3	AZ18866	LADDER	1		XX	(SUB FOR AZ18876)
	AZ21906	LADDER	1		XX	(A)
4	19M5827	CAP SCREW	2		XX	M14 X 30
5	14M7117	NUT	4		XX	M14
6	19M7139	CAP SCREW	2		XX	M8 X 20
7	12M7008	LOCK WASHER	6		XX	8 MM
8	14M7029	NUT	6		XX	M8
9	19M7166	CAP SCREW	4		XX	M10 X 20
10	12M7013	LOCK WASHER	4		XX	10 MM
11	14M7140	NUT	4		XX	M10
12	AZ18394	SUPPORT	1		XX	RH
13	AZ18393	SUPPORT	1		XX	(B) LH
	AZ22389	SUPPORT	1		XX	(C) LH
14	AZ10941	HANDRAIL	1		XX	
15	AZ18397	HANDRAIL	1		XX	(B)
	AZ22407	HANDRAIL	1		XX	(C)
16	Z29723	SLEEVE	3		XX	
17	34M7033	SPRING PIN	2		XX	5 X 30 MM
18	24M7024	WASHER	2		XX	9,5 MM
19	19M7163	CAP SCREW	2		XX	M8 X 25
20	19M7162	CAP SCREW	2		XX	M8 X 15
21	19M7295	CAP SCREW	2		XX	M8 X 45
22	Z32026	SHIELD	1		XX	RH
23	Z32027	SHIELD	1		XX	LH
24	21M7087	SCREW	4		XX	M6 X 12
25	21M7127	SCREW	4		XX	M6 X 18
26	12M7012	LOCK WASHER	8		XX	6 MM
27	14M7027	NUT	8		XX	M6
28	Z32322	SPACER	2		XX	
29	AZ21133	ROD	AR		XX	(B)
	AZ22394	ROD	AR		XX	(C)
30	19M7319	SCREW	2		XX	M6 X 60
31	12M7012	LOCK WASHER	2		XX	6 MM
32	Z30198	ROPE	1		XX	
33	Z33192	PIPE	AR		XX	(C)
34	37M7009	SCREW	3		XX	5,5 X 19 MM
35	AZ21761	LINK CHAIN	AR		XX	(A)

(A) ONLY FOR SWEDEN AND FINLAND (B) (-930429) (C) (930420-)
 SEULEMENT POUR SUEDE ET FINL (-941310) (941311-)
 NUR FUER SCHWEDEN UND FINNLA
 SOLO PER LA SVEZIA E LA FINL
 TAN SOLO PARA SUECIA Y FINLA
 ENDAST FOER SVERIGE OCH FINL

(1C03) OPERATOR'S PLATFORM
PLATE-FORME DU CONDUCTEUR
FAHRERPLATTFORM
PIATTAFORMA PER L'OPERATORE (POSTO DI GUIDA)
PLATAFORMA DEL OPERADOR
FOERARPLATTFORM

KEY	PART NO.	PART NAME	QTY	SERIAL NO.	99 34 00	REMARKS
36	Z33194	SPACER	AR		XX	(C)
37	34M7033	SPRING PIN	2		XX	(C) 5 X 30 MM
(A)	ONLY FOR SWEDEN AND FINLAND	(B)	(-930429)	(C)	(930420-)
	SEULEMENT POUR SUEDE ET FINL		(-941310)		(941311-)
	NUR FUER SCHWEDEN UND FINNLA					
	SOLO PER LA SVEZIA E LA FINL					
	TAN SOLO PARA SUECIA Y FINLA					
	ENDAST FOER SVERIGE OCH FINL					

(1C11) OPERATOR'S SEAT
SIEGE DU CONDUCTEUR
FAHRERSITZ
SEDILE
ASIENTO DEL OPERADOR
FOERARSITS

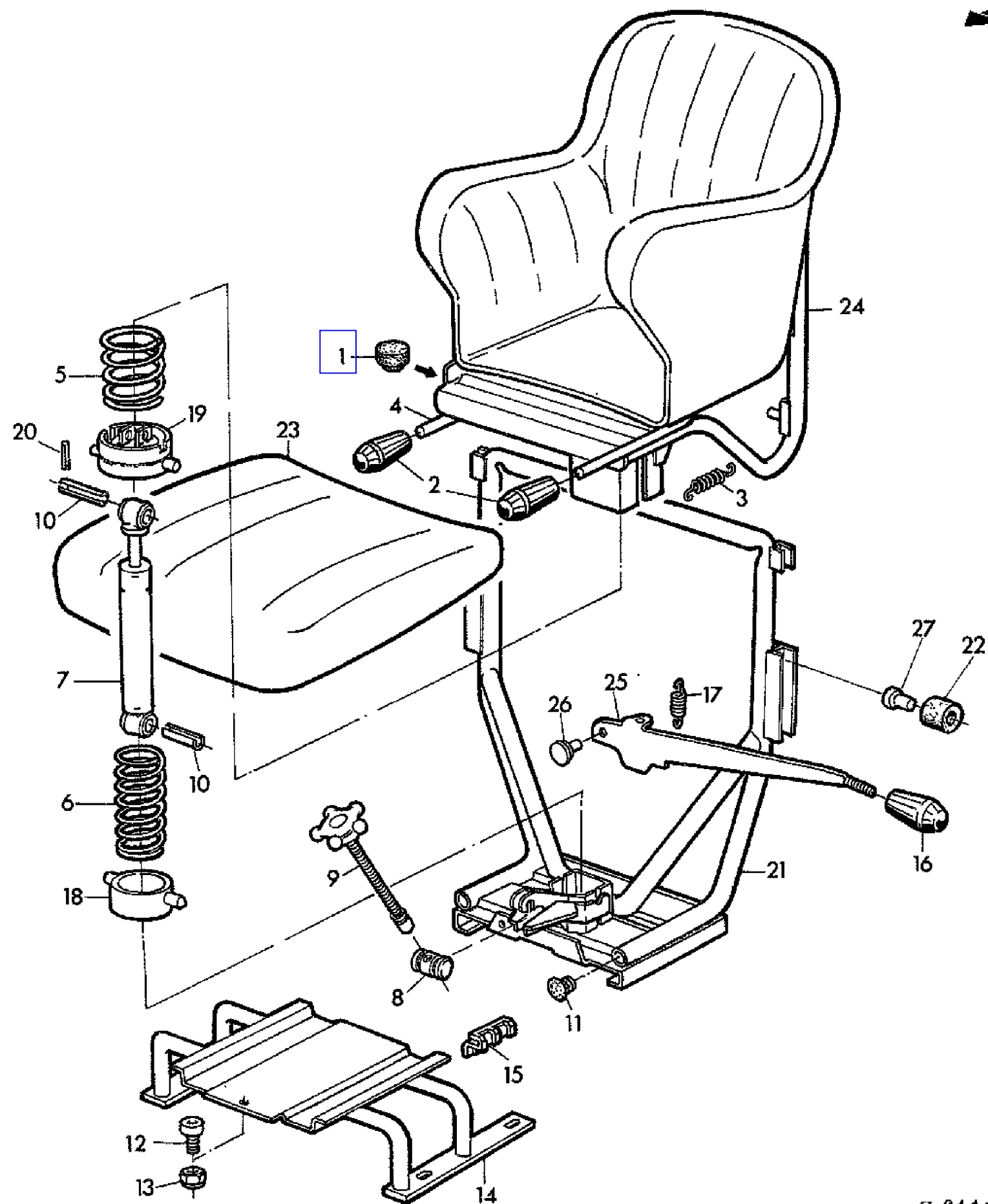


Z 56565

(1C11) OPERATOR'S SEAT
SIEGE DU CONDUCTEUR
FAHRERSITZ
SEDILE
ASIENTO DEL OPERADOR
FOERARSITS

KEY	PART NO.	PART NAME	QTY	SERIAL NO.	9 9 3 4 0 0	REMARKS
1	AZ14805	CUSHION	1		XX	
2	AZ14806	PAD	1		XX	
3	AZ15861	SEAT BACK	1		XX	
4	12M7012	LOCK WASHER	8		XX	6 MM
5	14M7027	NUT	8		XX	M6
6	11M7028	COTTER PIN	4		XX	5 X 35 MM
7	Z27201	BRACKET	1		XX	
8	AZ15955	LEVER	1		XX	
9	Z21232	EXTENSION SPRING	1		XX	
10	AZ15757	SUPPORT	1		XX	
11	24M7096	WASHER	4		XX	10,5 MM
12	Z27197	ALIGNER	4		XX	
13	AZ15755	ARRESTOR	1		XX	LH
	AZ15756	ARRESTOR	1		XX	RH
14	Z26946	STUD	1		XX	
15	14M7029	NUT	4		XX	M8
16	19M7166	CAP SCREW	4		XX	M10 X 20
17	12M7013	LOCK WASHER	4		XX	10 MM
18	14M7140	NUT	4		XX	M10
19	19M7159	CAP SCREW	4		XX	M6 X 15
20	12M7008	LOCK WASHER	4		XX	8 MM
21	14M7020	WING NUT	4		XX	M8
22	24M7054	WASHER	4		XX	6,4 MM
23	L18955	QUICK LOCK PIN	1		XX	
24	AZ20013	SHEET	1		XX	

(1C13) OPERATOR'S SEAT
SIEGE DU CONDUCTEUR
FAHRERSITZ
SEDILE
ASIENTO DEL OPERADOR
FOERARSITS

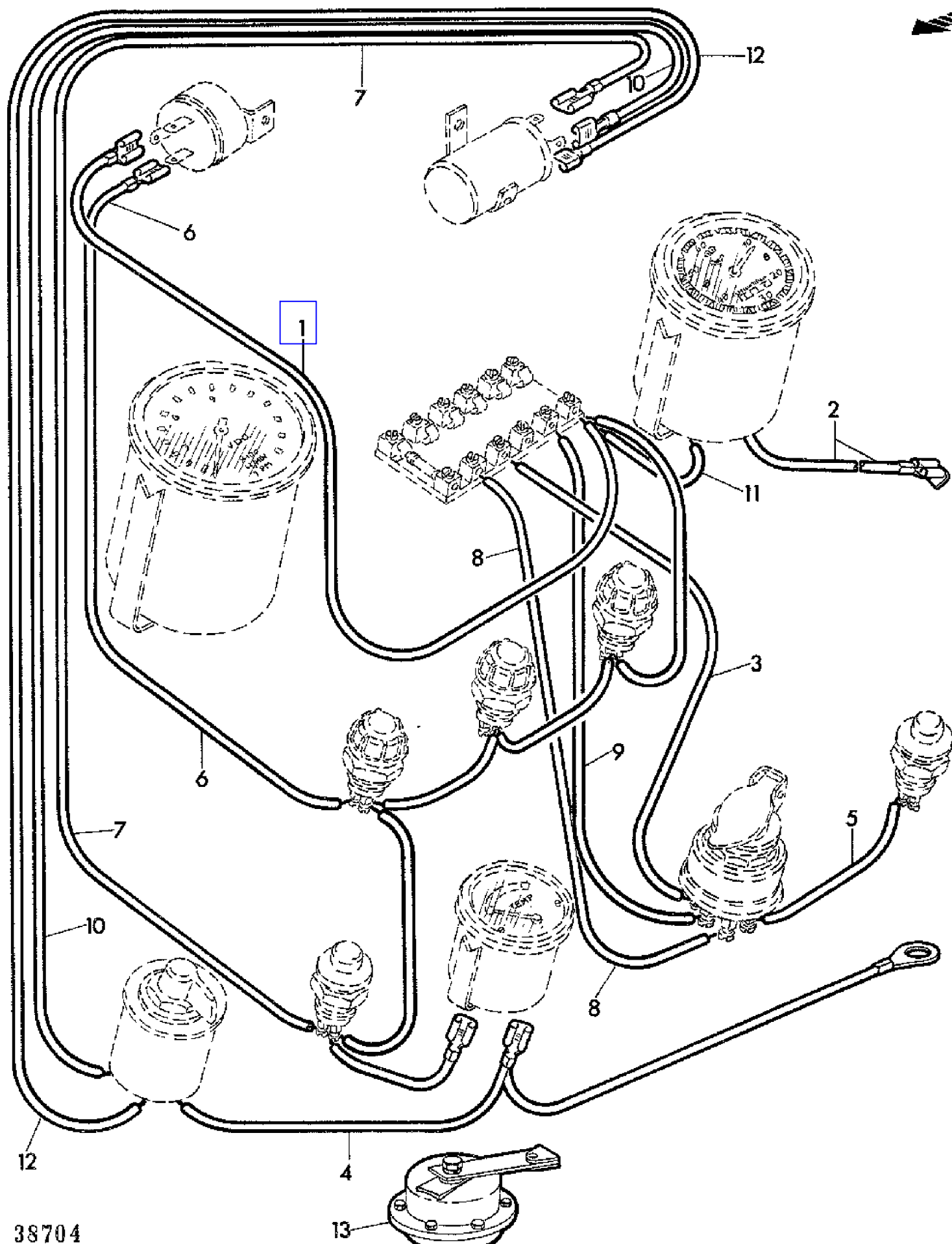


Z 61118

(1C13) OPERATOR'S SEAT
SIEGE DU CONDUCTEUR
FAHRERSITZ
SEDILE
ASIENTO DEL OPERADOR
FOERARSITS

KEY	PART NO.	PART NAME	QTY	SERIAL NO.	9 9 3 4 0 0	REMARKS
1	Z32104	STOP	2		XX	
2	Z32110	GRIP	2		XX	
3	Z32108	SPRING	1		XX	
4	AZ20938	LEVER	1		XX	
5	Z31241	COMPRESSION SPRING	1		XX	
6	Z31244	COMPRESSION SPRING	1		XX	
7	AZ20937	ABSORBER	1		XX	
8	Z32105	TOGGLE	1		XX	
9	AZ20935	SCREW	1		XX	
10	11M7041	COTTER PIN	2		XX	8 X 60 MM
11	Z31240	PLUG	2		XX	
12	19M7159	CAP SCREW	1		XX	M6 X 15
13	14M7027	NUT	1		XX	M6
14	AZ20939	BASE	1		XX	
15	Z31250	ALIGNER	4		XX	
16	Z32109	KNOB	1		XX	
17	Z31243	EXTENSION SPRING	1		XX	
18	AZ20936	CAGE	1		XX	
19	AZ20934	CAGE	1		XX	
20	11M7011	COTTER PIN	1		XX	3 X 15 MM
21	AZ20942	SUPPORT	1		XX	
22	Z33800	ROLLER	4		XX	(ORD W/ KEY 27) (SUB FOR Z32107)
23	AZ20940	CUSHION	1		XX	
24	AZ20941	SEAT	1		XX	
25	Z32111	DETENT	1		XX	
26	Z32106	PIN	1		XX	
27	Z33801	PIN	4		XX	

(1D17) PARTS FOR ELECTRICAL EQUIPMENT
ELEMENTS DE SYSTEME ELECTRIQUE
TEILE FUER ELEKTRISCHE INSTALLATION
PARTI PER EQUIPAGGIAMENTO ELETTRICO
PIEZAS PARA EL EQUIPO ELECTRICO
DELAR FOER ELEKTRISK UTRUSTNING

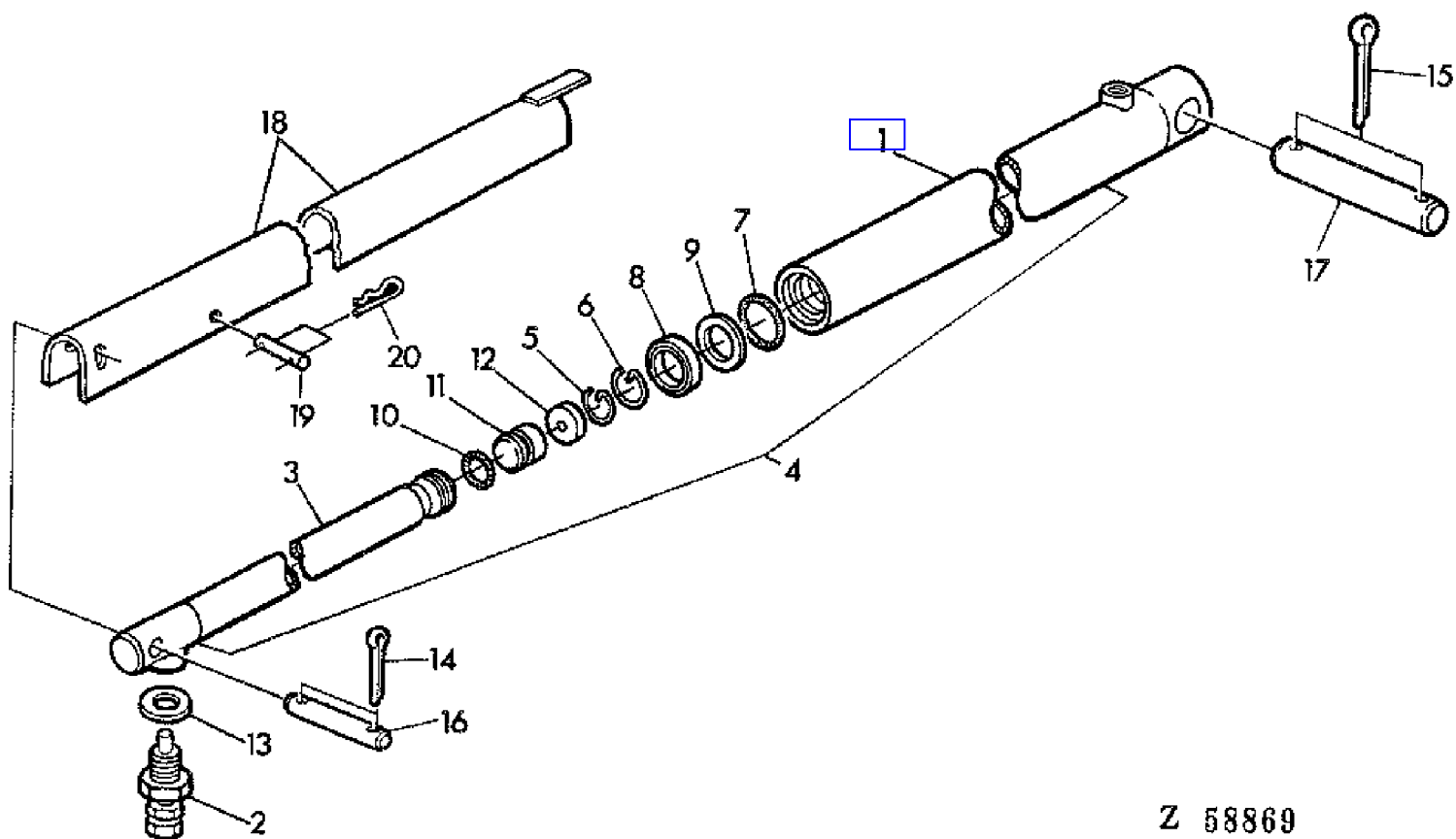


Z 38704

(1D17) PARTS FOR ELECTRICAL EQUIPMENT
ELEMENTS DE SYSTEME ELECTRIQUE
TEILE FUER ELEKTRISCHE INSTALLATION
PARTI PER EQUIPAGGIAMENTO ELETTRICO
PIEZAS PARA EL EQUIPO ELECTRICO
DELAR FOER ELEKTRISK UTRUSTNING

KEY	PART NO.	PART NAME	QTY	SERIAL NO.	9 9 3 4 0 0	REMARKS
1	AZ18772	WIRING HARNESS	1		XX	
2	AZ23580	WIRING LEAD	AR		XX	(SUB FOR AZ18765, OR AZ22971)
3	Z30232	WIRING LEAD	1		XX	
4	AZ18771	CABLE	1		XX	
5	Z30229	WIRING LEAD	1		XX	
6	AZ18770	WIRING LEAD	1		XX	
7	Z30226	WIRING LEAD	1		XX	
8	Z30230	WIRING LEAD	1		XX	
9	Z30231	WIRING LEAD	1		XX	
10	Z30227	WIRING LEAD	1		XX	
11	Z30224	WIRING LEAD	AR		XX	
12	Z30228	WIRING LEAD	1		XX	
13	AZ12135	HORN	1		XX	

(1F03) PLATFORM LIFT CYLINDER
VERINS DE LA PLATE-FORME DE COUPE
SCHNEIDWERK-HUBZYLINDER
CILINDRO SOLLEVAMENTO PIATTAFORMA
CILINDROS ELEVADORES DE LA PLATAFORMA DE CORTE
SKAERBORDS LYFTCYLINDRAR

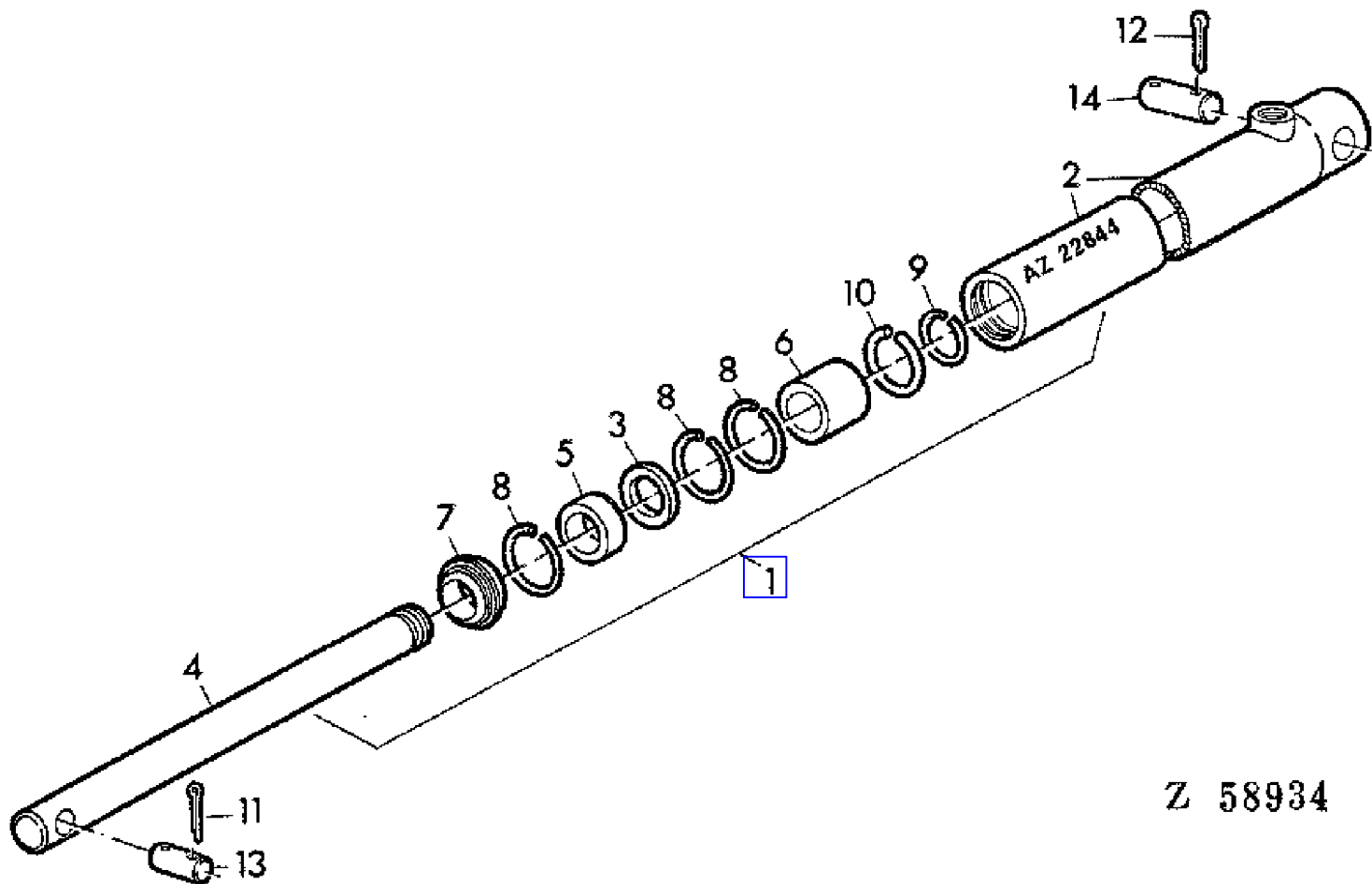


Z 58869

(1F03) PLATFORM LIFT CYLINDER
 VERINS DE LA PLATE-FORME DE COUPE
 SCHNEIDWERK-HUBZYLINDER
 CILINDRO SOLLEVAMENTO PIATTAFORMA
 CILINDROS ELEVADORES DE LA PLATAFORMA DE CORTE
 SKAERBORDS LYFTCYLINDRAR

KEY	PART NO.	PART NAME	QTY	SERIAL NO.	9 9 3 4 0 0	REMARKS
1	AZ16767	HYDRAULIC CYLINDER BARREL	1		X X	
2	AZ18859	VALVE	1		X X	INCL KEY 13
3	AZ19666	ROD	1		X	
	AZ19666	ROD	1		X	
	AZ16768	ROD	1	941031	X	
4	AZ19667	HYDRAULIC CYLINDER	1		X	ASSY, INCL KEYS 1-3,5-13
	AZ16769	HYDRAULIC CYLINDER	1	941031	X	ASSY, INCL KEYS 1-3,5-13
5	Z28062	SNAP RING	1		X X	
6	Z28063	SNAP RING	1		X X	
7	U11017	O-RING	1		X X	(SUB FOR Z28064)
8	AR82411	SEAL	1		X X	(SUB FOR Z28065)
9	H85988	BACK-UP RING	1		X X	(SUB FOR Z28066)
10	A4730R	O-RING	1		X X	(SUB FOR Z28067)
11	Z28068	PISTON	1		X X	
12	Z28070	ORIFICE	1		X X	
13	Z30403	O-RING	1		X X	
14	11M7028	COTTER PIN	2		X X	5 X 32 MM
15	11M7038	COTTER PIN	2		X X	6 X 45 MM
16	44M6866	PIN	1		X X	18 X 80 X 66 MM
17	44M7006	PIN	1		X X	30 X 125 X 108 MM
18	AZ22727	GUARD	AR		X X	
19	Z33788	PIN	AR		X X	
20	L12622	SPRING LOCKING PIN	AR		X X	

(1F08) PLATFORM LIFT CYLINDER
VERINS DE LA PLATE-FORME DE COUPE
SCHNEIDWERK-HUBZYLINDER
CILINDRO SOLLEVAMENTO PLATTAFORMA
CILINDROS ELEVADORES DE LA PLATAFORMA DE CORTE
SKARBORDS LYFTCYLINDRAR

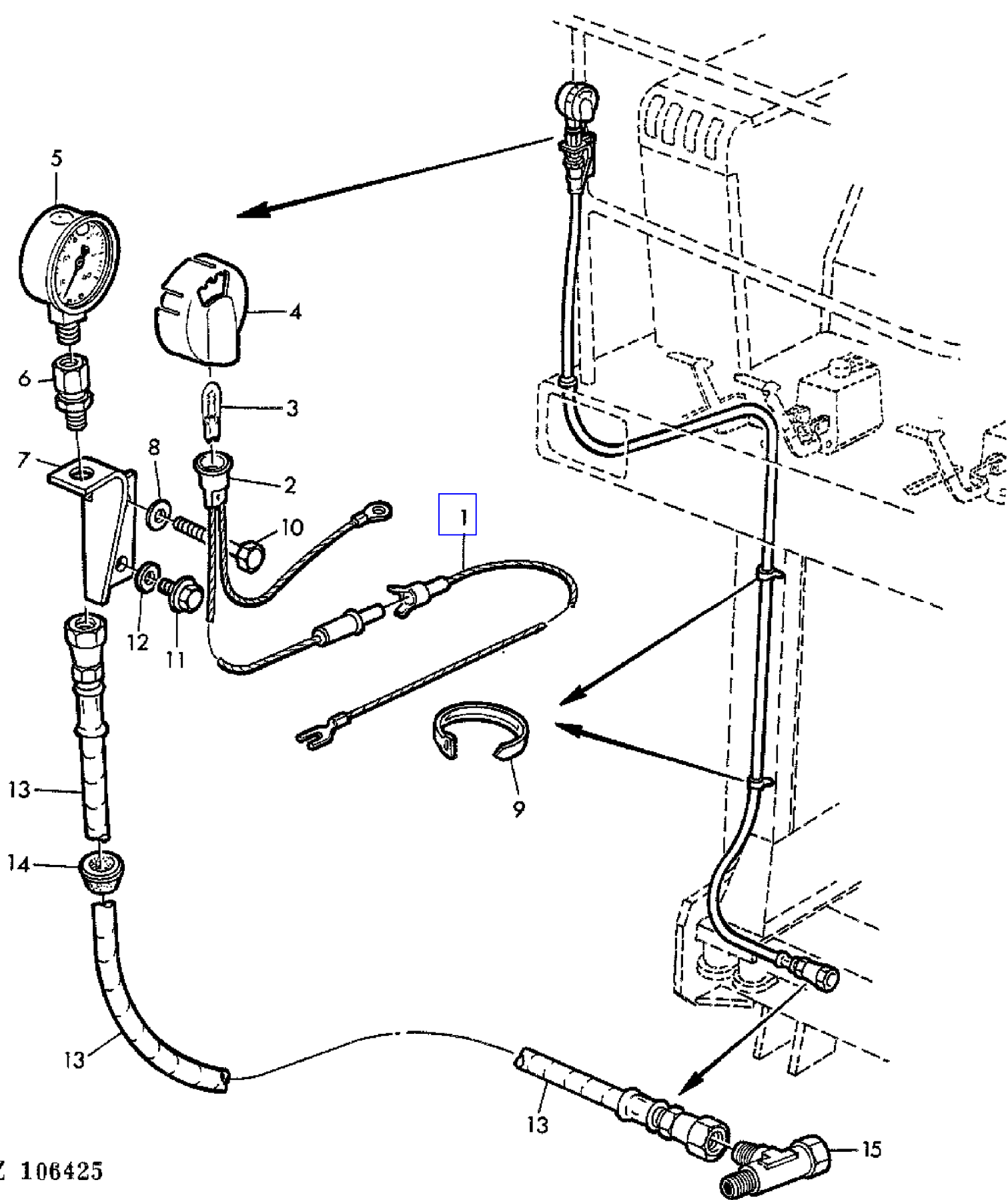


Z 58934

(1F08) PLATFORM LIFT CYLINDER
VERINS DE LA PLATE-FORME DE COUPE
SCHNEIDWERK-HUBZYLINDER
CILINDRO SOLLEVAMENTO PLATTAFORMA
CILINDROS ELEVADORES DE LA PLATAFORMA DE CORTE
SKARBORDS LYFTCYLINDRAR

KEY	PART NO.	PART NAME	QTY	SERIAL NO.	99 34 00	REMARKS
1	AZ22844	HYDRAULIC CYLINDER	1	- 941030	X	ASSY
2	AZ22848	HYDRAULIC CYLINDER BARREL	1	- 941030	X	
3	AZ22849	SCRAPER RING	1	- 941030	X	
4	Z34001	ROD	1	- 941030	X	
5	Z34002	BUSHING	1	- 941030	X	
6	Z34003	BUSHING	1	- 941030	X	
7	Z34004	SCRAPER RING	1	- 941030	X	
8	Z34008	SNAP RING	3	- 941030	X	
9	Z34015	SNAP RING	1	- 941030	X	
10	Z34016	SNAP RING	1	- 941030	X	
11	11M7027	COTTER PIN	2	- 941030	X	
12	11M7038	COTTER PIN	2	- 941030	X	
13	44M6866	PIN	1	- 941030	X	
14	44M7006	PIN	1	- 941030	X	

(1G14) PRESSURE INDICATOR-CUTTING PLATFORM
MANOMETRE - PLATE-FORME DE COUPE
DRUCKANZEIGE-SCHNEIDWERK
INDICATORE PRESSIONE PER PIATTAFORMA DI TAGLIO
INDICADOR DE PRESION-PLATAFORMA DE CORTE
TRYCKMATARE FOR SKARBORD

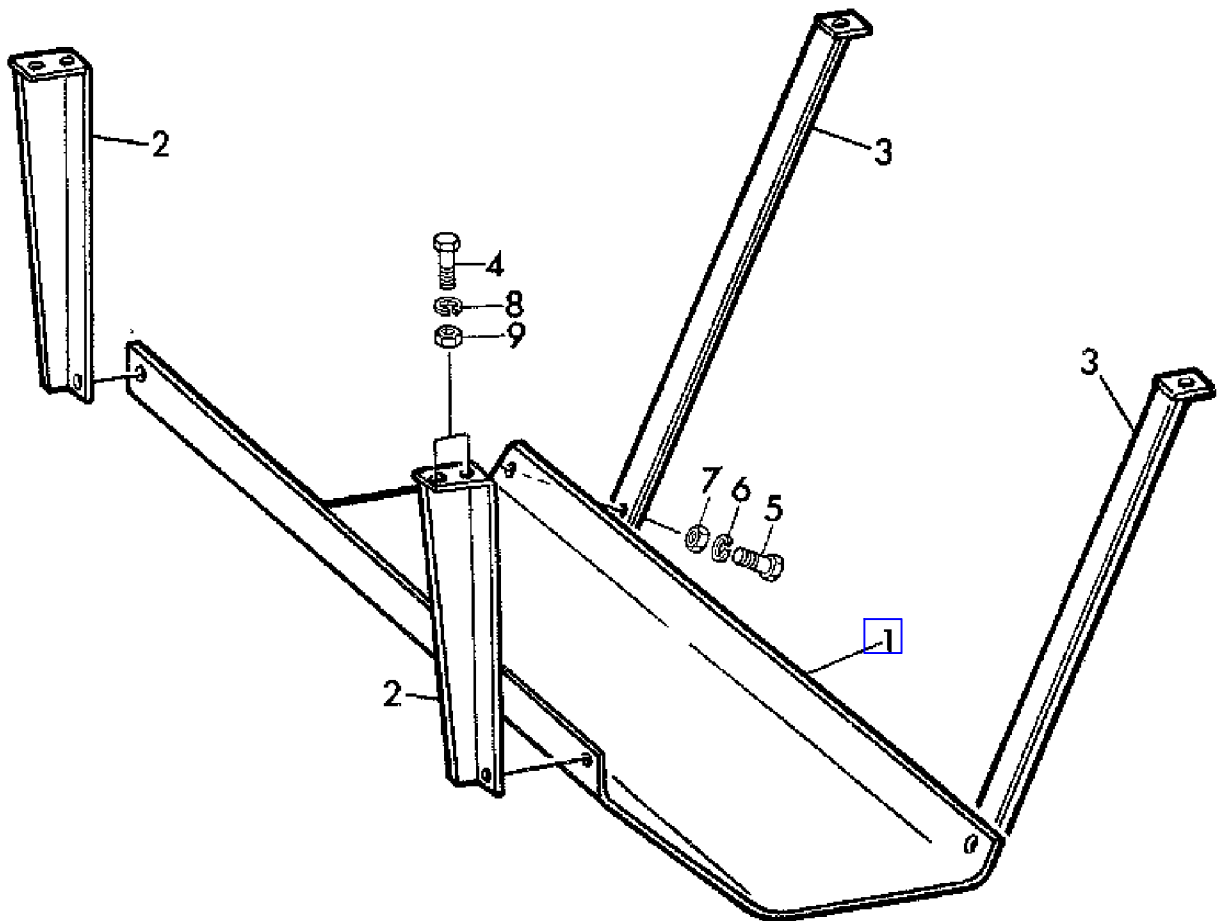


Z 106425

(1G14) PRESSURE INDICATOR-CUTTING PLATFORM
 MANOMETRE - PLATE-FORME DE COUPE
 DRUCKANZEIGE-SCHNEIDWERK
 INDICATORE PRESSIONE PER PIATTAFORMA DI TAGLIO
 INDICADOR DE PRESION-PLATAFORMA DE CORTE
 TRYCKMATARE FOR SKARBORD

KEY	PART NO.	PART NAME	QTY	SERIAL NO.	9 9 3 4 0 0	REMARKS
1	AZ31875	POWER CORD	1		XX	
2	AH109610	SOCKET	1		XX	
3	AH108380	BULB	1		XX	
4	H111378	COVER	1		XX	
5	AH108080	PRESSURE GAUGE	1		XX	
6	AB18206	ADAPTER	1		XX	
7	H109300	BRACKET	1		XX	
8	24M7054	WASHER	1		XX	AR, 6,4 MM
9	H77698	TIE BAND	AR		XX	
10	19M5938	CAP SCREW	1		XX	AR, M6 X 40
11	H78354	SCREW	AR		XX	AR
12	24H1714	WASHER	AR		XX	AR
13	AZ31905	HYDRAULIC HOSE	1		XX	
14	N119177	GROMMET	1		XX	
15	AZ22845	FITTING	1		XX	

(2G06) PROTECTIONS SHIELD, FAN "CORN"
GARANT DU VENTILATEUR "MAIS"
GEBLAESESCHUTZ "MAIS"
SKIDD FOER FLAEKT "MAIS"
DIFESA DEL VENTILATORE "MAIZ"
BESCHERMING VOOR WINDMOLEN "MAJS"

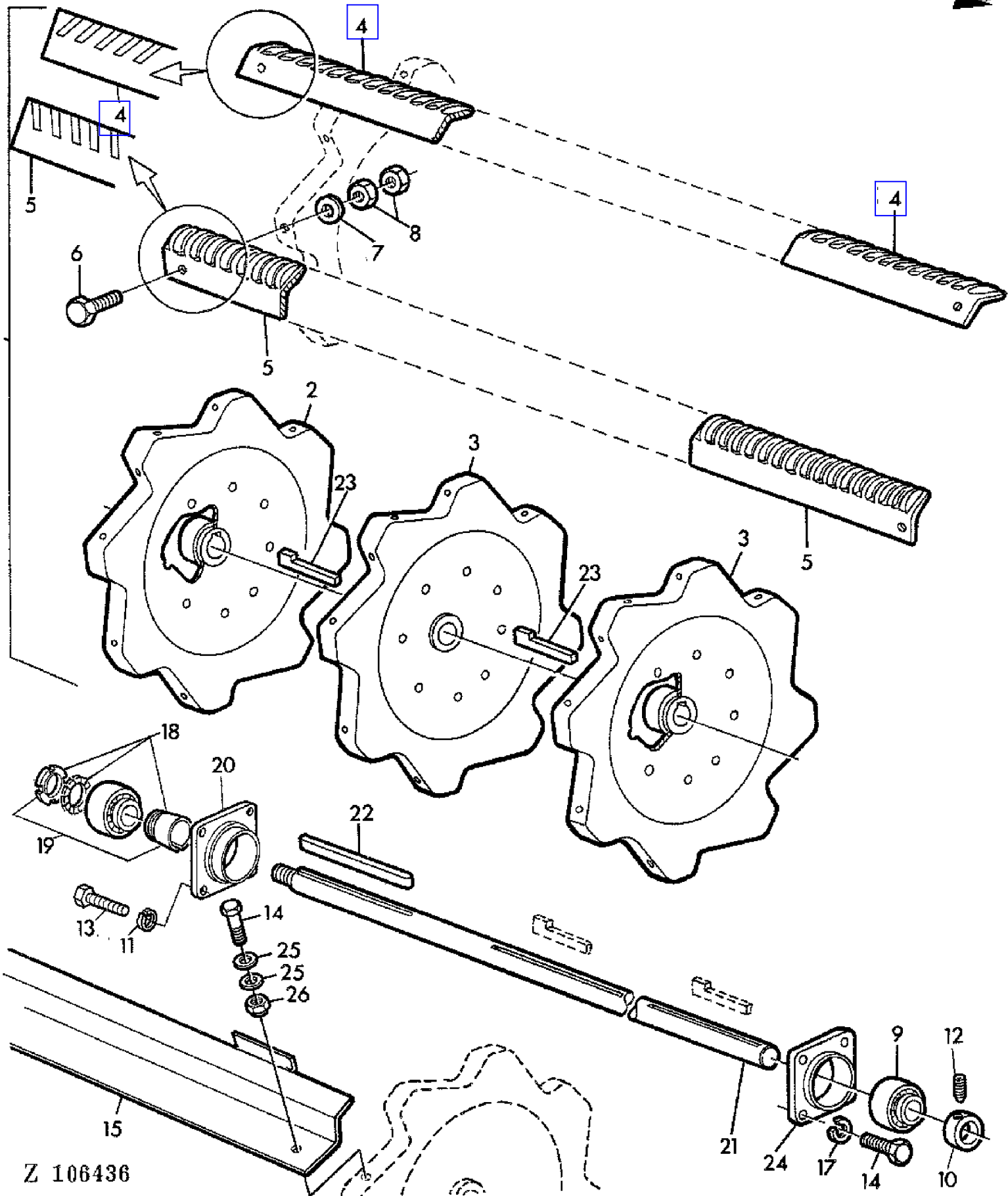


Z 63660

(2G06) PROTECTIONS SHIELD, FAN "CORN"
GARANT DU VENTILATEUR "MAIS"
GEBLAESESCHUTZ "MAIS"
SKIDD FOER FLAEKT "MAIS"
DIFESA DEL VENTILATORE "MAIZ"
BESCHERMING VOOR WINDMOLEN "MAJS"

KEY	PART NO.	PART NAME	QTY	SERIAL NO.	9 9 3 4 0 0	REMARKS
1	Z28258	GUARD	1		X X	
2	AZ14913	HOLDER	2		X X	FRONT
3	AZ14914	HOLDER	2		X X	REAR
4	19M7168	CAP SCREW	6		X X	M10 X 30
5	19M7379	CAP SCREW	4		X X	M8 X 15
6	12M7008	LOCK WASHER	4		X X	8 MM
7	14M7029	NUT	4		X X	M8
8	12M7013	LOCK WASHER	6		X X	10 MM
9	14M7140	NUT	6		X X	M10

(2B18) RASP BAR CYLINDER
BATEUR
DRESCHTROMMEL
SPRANGHE DEL BATTITORE
CILINDRO DESGRANADOR
SLAGSKOCYLINDER

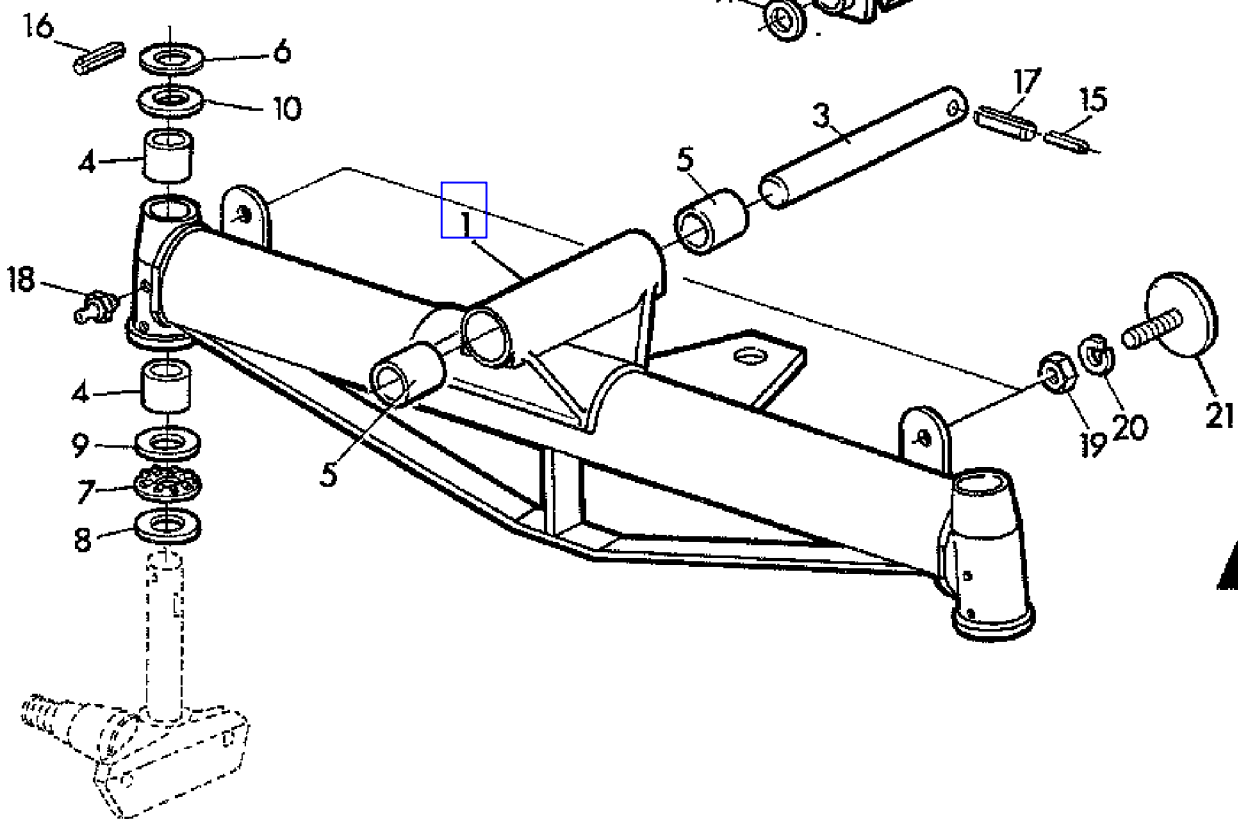
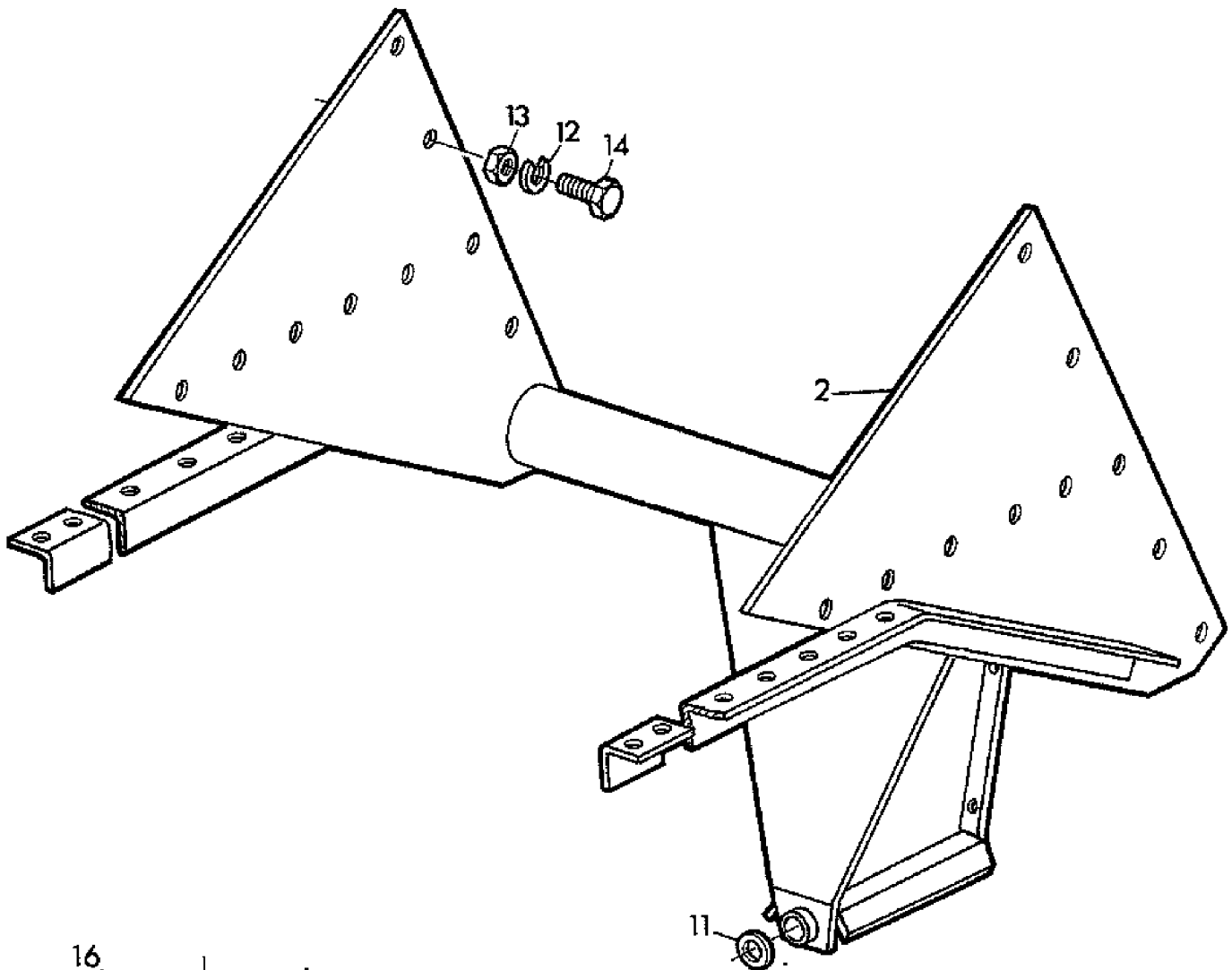


Z 106436

(2B18) RASP BAR CYLINDER
BATTEUR
DRESCHTROMMEL
SPRANGHE DEL BATTITORE
CILINDRO DESGRANADOR
SLAGSKOCYLINDER

KEY	PART NO.	PART NAME	QTY	SERIAL NO.	9 9 3 4 0 0	REMARKS
1	AZ19852	RASP-BAR CYLINDER	1		X X	ASSY
2	AZ10008	THRESHING CYL HEAD (W/HUB)	1		X X	RH
3	AZ10007	THRESHING CYL HEAD (W/HUB)	2		X X	
4	AZ10688	RASP BAR	2		X X	KIT
5	AZ10689	RASP BAR	2		X X	KIT
6	19M7171	CAP SCREW	24		X X	M12 X 35
7	24M7111	WASHER	24		X X	13 MM
8	14M7031	NUT	60		X X	14 MM
9	JD39107	BALL BEARING	1		X X	LH
10	AL14674	ECCENTRIC LOCKING COLLAR	1		X X	LH
11	12M7013	LOCK WASHER	11		X X	10 MM
12	AZ19845	SET SCREW	1		X X	KIT
13	19M7167	CAP SCREW	4		X X	M10 X 25
14	19M7285	CAP SCREW	AR		X X	M12 X 30
15	AZ34124	PLATE	4		X X	PACKG (2) (SUB FOR AZ20654)
16	14M7168	LOCK NUT	AR		X X	M12
17	12M7014	LOCK WASHER	32		X X	12 MM
18	AZ19851	BALL BEARING	1		X X	ASSY
19	AZ19431	BALL BEARING	1		X X	ASSY, INCL KEY 18
20	Z10380	CASE	1		X X	RH
21	Z30801	SHAFT	1		X X	
22	49M7022	SHAFT KEY	1		X X	10 X 8 X 225 MM
23	50M4203	SHAFT KEY	2		X X	10 X 8 X 63 MM
24	Z10001	CASE	1		X X	LH
25	24M7047	WASHER	AR		X X	13 MM

(1A10) REAR AXLE
ESSIEU ARRIERE
HINTERACHSE
ASSALE POSTERIORE
PALIER
BAKAXLE

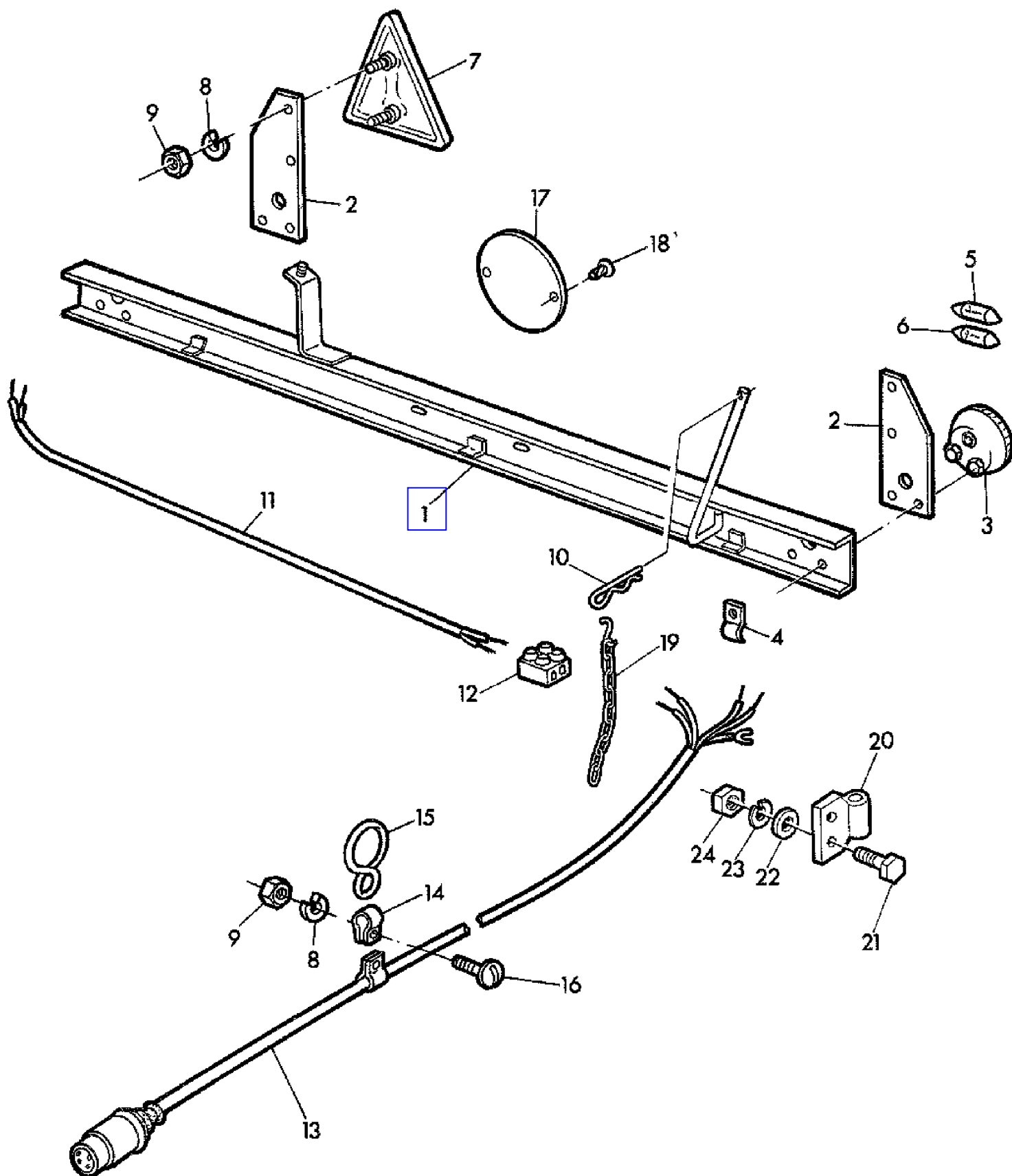


Z 63623

(1A10) REAR AXLE
 ESSIEU ARRIERE
 HINTERACHSE
 ASSALE POSTERIORE
 PALIER
 BAKAXLE

KEY	PART NO.	PART NAME	QTY	SERIAL NO.	9 9 3 4 0 0	REMARKS
1	AZ16252	REAR AXLE	1		XX	
2	AZ20294	REAR AXLE SUPPORT	1		X	
	AZ20293	REAR AXLE SUPPORT	1		X	
3	Z21573	SHAFT	1		XX	
4	Z21574	BUSHING	4		XX	
5	Z21575	BUSHING	2		XX	
6	Z29188	WASHER	1		XX	1 MM
7	JD39110	NEEDLE BEARING	2		XX	
8	JD39111	THRUST BEARING	2		XX	
9	JD39127	THRUST BEARING	2		XX	
10	Z26248	WASHER	AR		XX	1,5 MM (SUB FOR L18819)
11	L19162	SHIM	AR		XX	
12	12M7013	LOCK WASHER	20		XX	10 MM
13	14M7022	NUT	20		XX	M10
14	19M7168	CAP SCREW	20		XX	M10 X 30
15	34M7035	SPRING PIN	1		XX	5 X 40 MM
16	34M7044	SPRING PIN	2		XX	6 X 50 MM
17	34M7047	SPRING PIN	1		XX	8 X 40 MM
18	58M5573	LUBRICATION FITTING	4		XX	
19	14M7027	NUT	2		XX	M6
20	12M7012	LOCK WASHER	2		XX	6 MM
21	99M6648	REFLECTOR	2		XX	INCL KEYS 19,20

(2G24) REAR LIGHT BRACKET
SUPPORT DE FEU ARRIERE
RUECKLICHTSCHALTER
SUPPORTO FANALINO POSTERIORE
SOPORTE DE LA LUZ TRASERA
BAKLJUSHALLARE



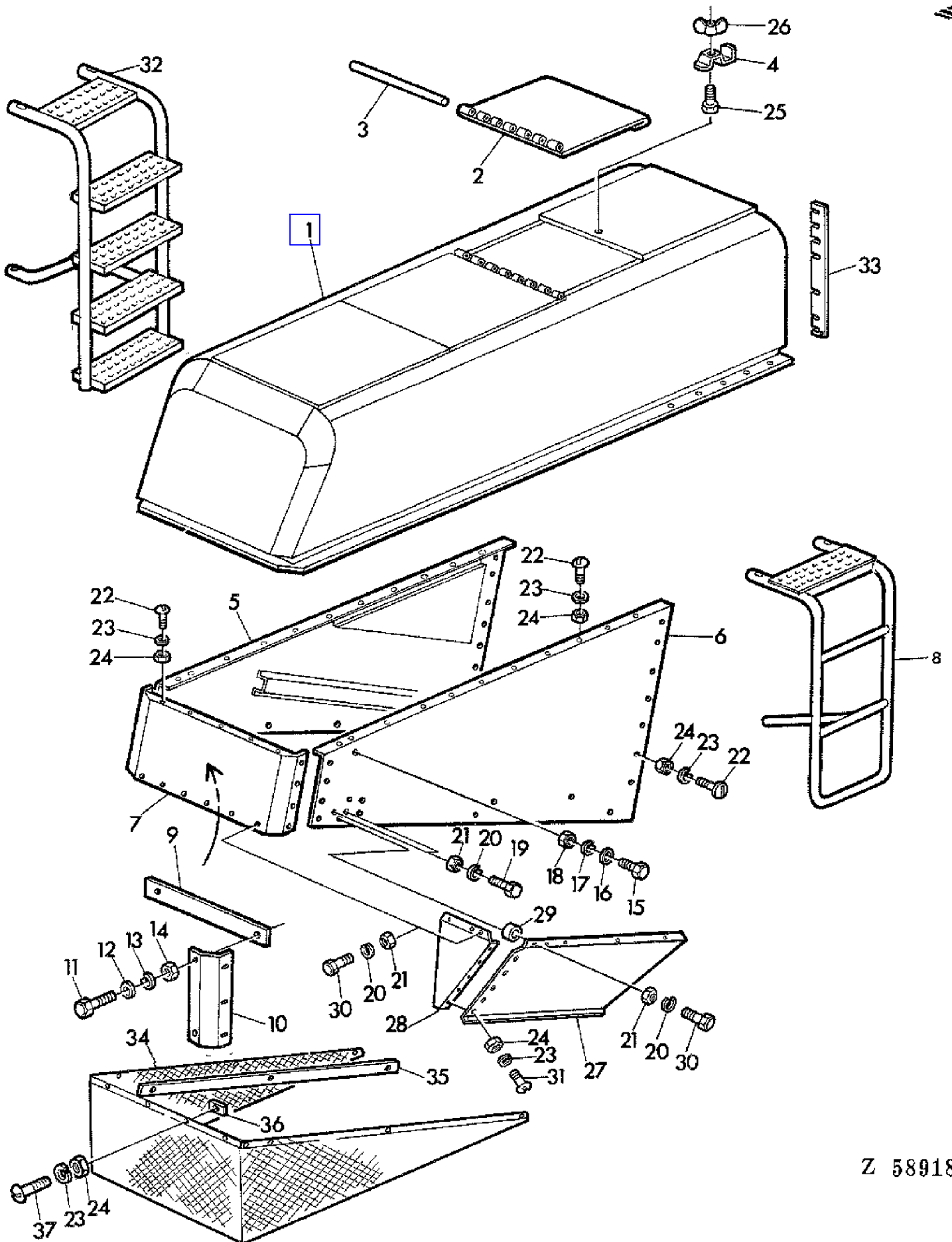
Z 58924

(2G24) REAR LITGHT BRACKET
SUPPORT DE FEU ARRIERE
RUECKLICHTSCHALTER
SUPPORTO FANALINO POSTERIORE
SOPORTE DE LA LUZ TRASERA
BAKLJUSHALLARE

KEY	PART NO.	PART NAME	QTY	SERIAL NO.	9 9 3 4 0 0	REMARKS
1	AZ20109	HOLDER	1		X X	
2	Z26090	PLATE	2		X X	
3	AL15769	TAIL LAMP	2		X X	
4	Z22588	CLAMP	4		X X	
5	57M6274	BULB	2		X X	5W 12V
6	57M6275	BULB	2		X X	18W 12V
7	AZ13425	REFLECTOR	2		X X	
8	12M7012	LOCK WASHER	5		X X	6 MM
9	14M7027	NUT	5		X X	M6
10	L18950	CLIP	1		X X	
11	AZ15005	CABLE	1		X X	LGTH = 1740 MM
12	AZ15003	CONNECTOR	1		X X	
13	AZ14997	WIRING HARNESS	1		X X	
14	Z22067	CLAMP	2		X X	
15	Z25791	WIRE	1		X X	
16	21M7031	SCREW	1		X X	M6 X 15
17	Z32518	PLATE	1		X X	
18	25M3826	GROOVE PIN	2		X X	3 X 6 MM
19	AZ12018	LINK CHAIN	2		X X	
20	Z10247	HOLDER	1		X X	
21	19M7169	CAP SCREW	2		X X	M10 X 35
22	24M7040	WASHER	2		X X	11 MM
23	12M7013	LOCK WASHER	2		X X	10 MM
24	14M7140	NUT	2		X X	M10

(2F17) REAR SIDE PANELS AND COVER

PAROIS LATERALES ARRIERE ET CAPOTAGE
HINTERE SEITENWAENDE UND HAUBE
PANNELLI LATERALI POSTERIORI E COPERCHIO
PANELES LATERALES POSTERIORES Y CAPO
BAKRE SIDOPANELER OCH STRASKYDOL

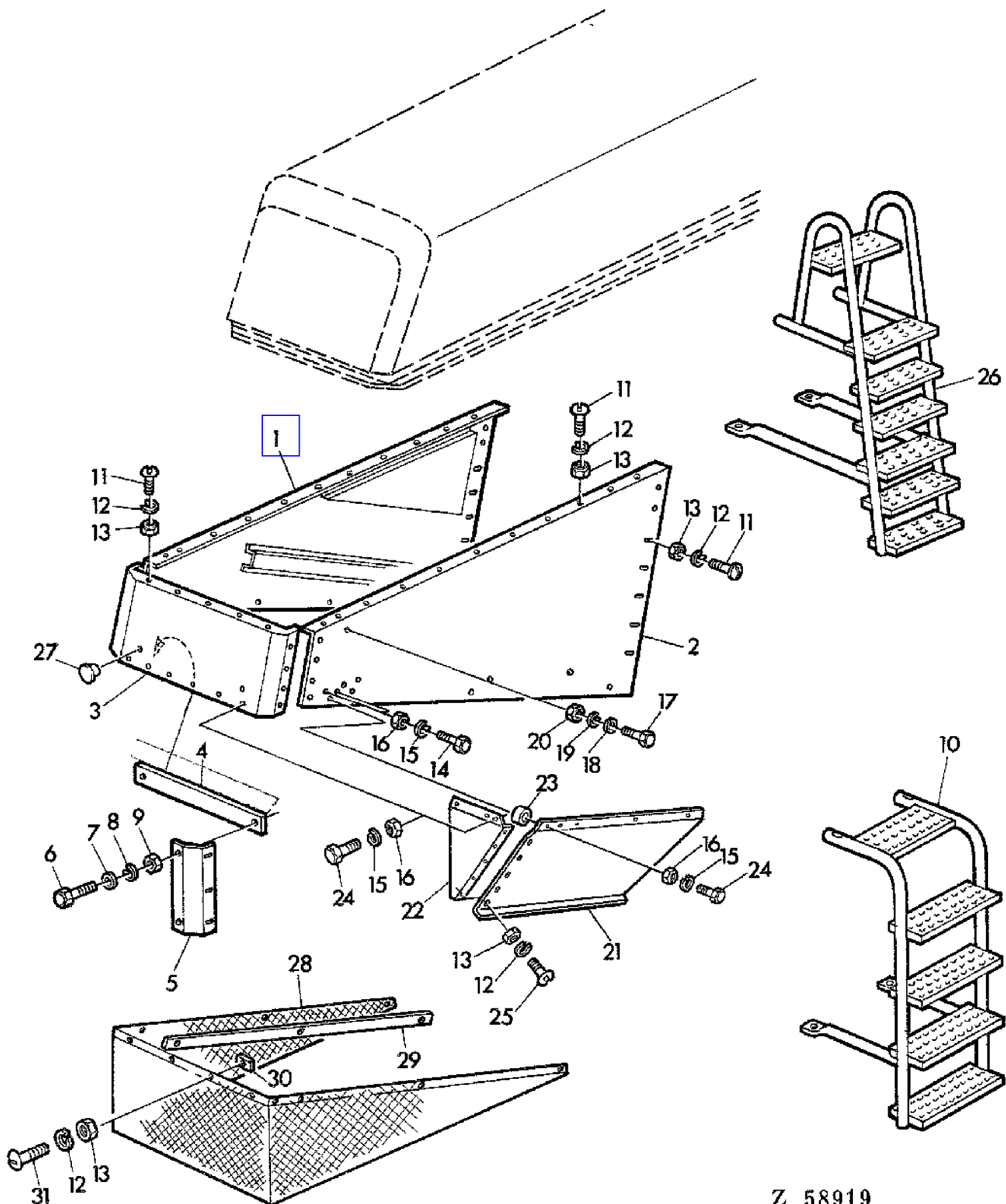


Z 58918

(2F17) REAR SIDE PANELS AND COVER
PAROIS LATERALES ARRIERE ET CAPOTAGE
HINTERE SEITENWAENDE UND HAUBE
PANNELLI LATERALI POSTERIORI E COPERCHIO
PANELES LATERALES POSTERIORES Y CAPO
BAKRE SIDOPANELER OCH STRASKYDOL

KEY	PART NO.	PART NAME	QTY	SERIAL NO.	9 3 0	4 0	REMARKS
1	AZ10283	HOOD	1		X		
2	Z20803	COVER	1		X		
3	Z20805	PIN	1		X		
4	Z20367	CLAMP	1		X		
5	AZ18441	SIDE WALL	1		X		LH
6	AZ18443	SIDE WALL	1		X		RH
7	AZ18442	PANEL	1		X		
8	AZ20225	LADDER	1		X		
9	Z32406	WEIGHT	AR		X		
10	Z31545	SHEET	2		X		
11	19M7494	CAP SCREW	AR		X		M12 X 70
12	24M7102	WASHER	AR		X		14 MM
13	12M7014	LOCK WASHER	AR		X		12 MM
14	14M7031	NUT	AR		X		M12
15	19M7139	CAP SCREW	18		X		M8 X 20
16	24M7036	WASHER	18		X		9 MM
17	12M7008	LOCK WASHER	18		X		8 MM
18	14M7029	NUT	18		X		M8
19	19M7183	CAP SCREW	8		X		M10 X 40
20	12M7013	LOCK WASHER	12		X		10 MM
21	14M7140	NUT	12		X		M10
22	21M7031	SCREW	30		X		M6 X 15
23	12M7012	LOCK WASHER	53		X		6 MM
24	14M7027	NUT	53		X		M6
25	03M7054	BOLT	1		X		M8 X 20
26	14M7020	WING NUT	1		X		M8
27	AZ18806	SHEET	1		X		
28	Z30273	SHEET	1		X		
29	Z29770	SPACER	4		X		
30	19M7180	CAP SCREW	4		X		M10 X 45
31	21M7087	SCREW	5		X		M6 X 12
32	AZ21933	LADDER	AR		X		(SUB FOR AZ20651)
33	Z30751	PLATE	AR		X		
34	Z33082	CANVAS	AR		X		
35	Z33084	REINFORCEMENT	AR		X		
36	Z33085	PLATE	AR		X		
37	21M7085	SCREW	AR		X		M6 X 20

(2F19) REAR SIDE PANELS WITH OPERATOR'S PLATFORM LADDER
PAROIS LATERALES ARRIERE ET ECHELLE D'ACCES
HINTERE SEITENWAENDE MIT LEITER
PANNELLI LATERALI POSTERIORI E SCALA PER L'OPERATORE
PANELES TRASEROS CON ESCALERA DE PLATAFORMA DEL MAQUINISTA
BAKRE SIDOPANELER MED STEGE TILL FOERARPLATTFORMEN

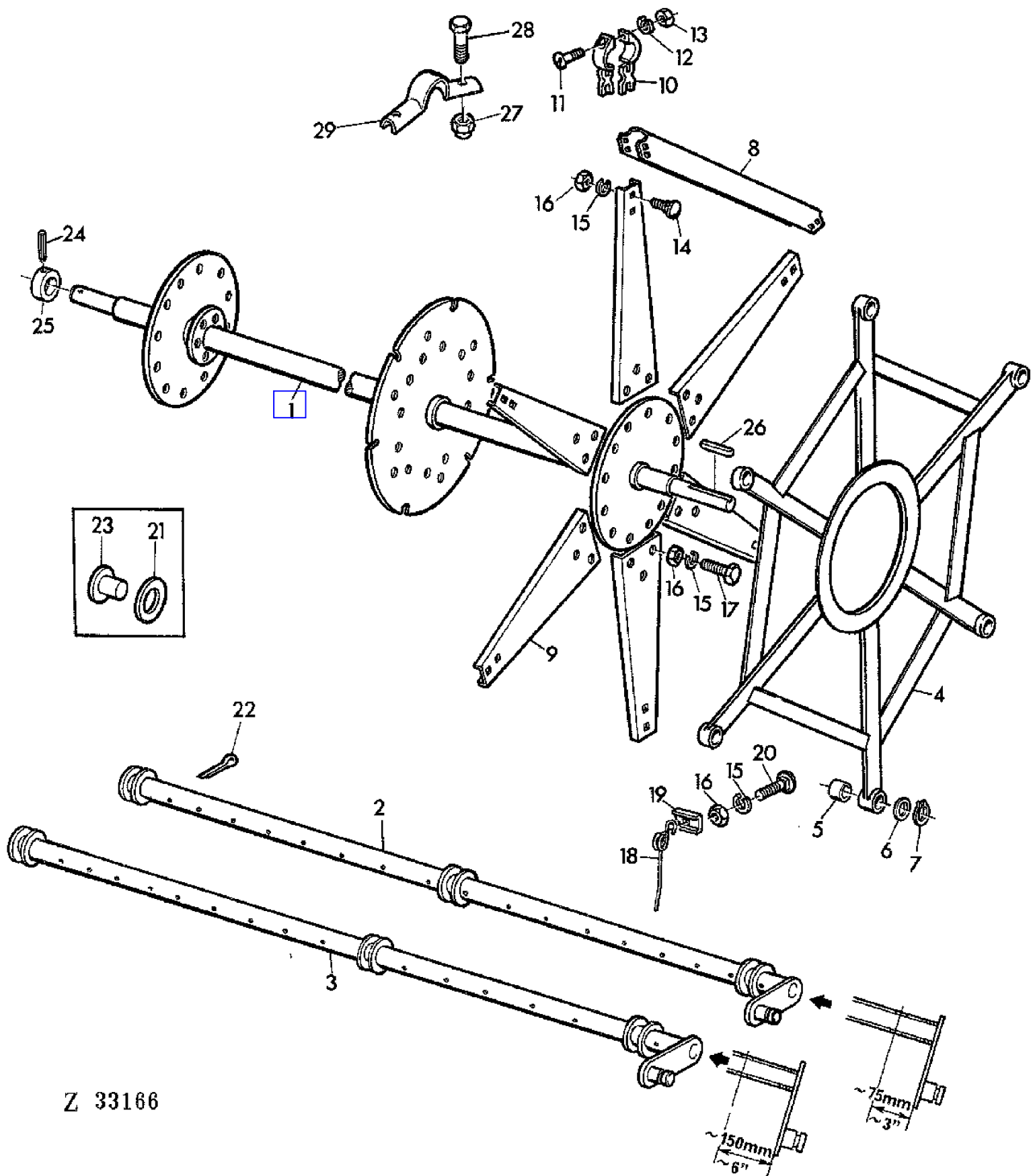


Z 58919

(2F19) REAR SIDE PANELS WITH OPERATOR'S PLATFORM LADDER
 PAROIS LATERALES ARRIERE ET ECHELLE D'ACCES
 HINTERE SEITENWAENDE MIT LEITER
 PANNELLI LATERALI POSTERIORI E SCALA PER L'OPERATORE
 PANELES TRASEROS CON ESCALERA DE PLATAFORMA DEL MAQUINISTA
 BAKRE SIDOPANELER MED STEGE TILL FOERARPLATTFORMEN

KEY	PART NO.	PART NAME	QTY	SERIAL NO.	9 9 3 4 0 0	REMARKS
1	AZ18448	SIDE WALL	1		X	LH
2	AZ18445	SIDE WALL	1		X	RH
3	AZ18444	PANEL	1		X	
4	Z32406	WEIGHT	AR		X	
5	Z30223	SHEET	AR		X	
6	19M7494	CAP SCREW	AR		X	M12 X 70
7	24M7102	WASHER	AR		X	14 MM
8	12M7014	LOCK WASHER	AR		X	12 MM
9	14M7031	NUT	AR		X	M12
10	AZ20225	LADDER	1		X	
11	21M7031	SCREW	36		X	M6 X 15
12	12M7012	LOCK WASHER	55		X	6 MM
13	14M7027	NUT	28		X	M6
14	19M7183	CAP SCREW	8		X	M10 X 40
15	12M7013	LOCK WASHER	12		X	10 MM
16	14M7140	NUT	12		X	M10
17	19M7139	CAP SCREW	18		X	M8 X 20
18	24M7036	WASHER	18		X	9 MM
19	12M7008	LOCK WASHER	18		X	8 MM
20	14M7029	NUT	18		X	M8
21	AZ18806	SHEET	1		X	
22	Z30273	SHEET	1		X	
23	Z29770	SPACER	4		X	
24	19M7180	CAP SCREW	4		X	M10 X 45
25	21M7087	SCREW	5		X	M6 X 12
26	AZ21765	LADDER	AR		X	
27	Z31546	PLUG	AR		X	
28	Z33081	CANVAS	AR		X	
29	Z33083	REINFORCEMENT	AR		X	
30	Z33085	PLATE	AR		X	
31	21M7085	SCREW	AR		X	M6 X 20

(1102) REEL
RABATTEURS
HASPEL
ASPO
MOLINETE
HASPEL

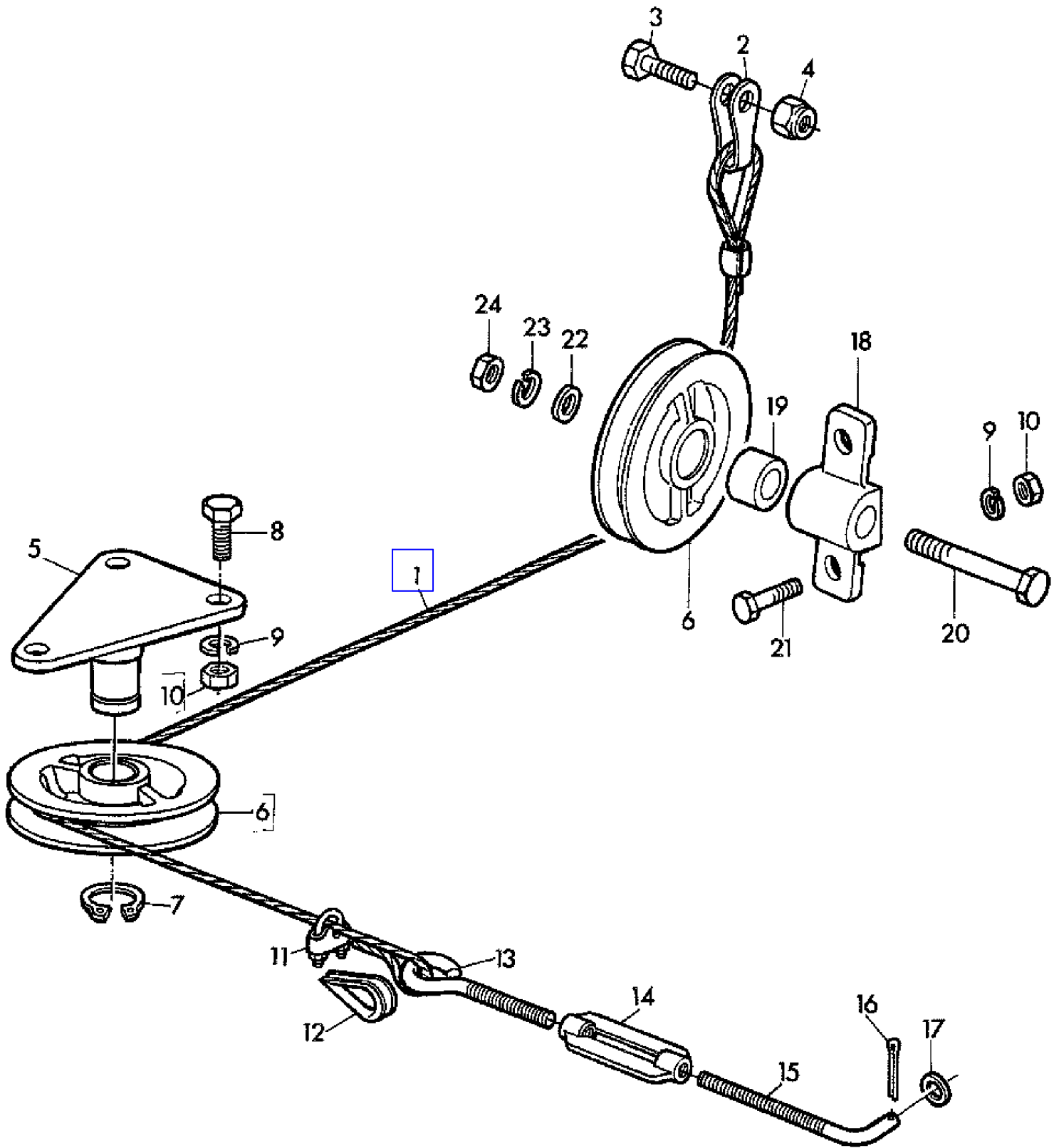


Z 33166

(1102) REEL
 RABATTEURS
 HASPEL
 ASPO
 MOLINETE
 HASPEL

KEY	PART NO.	PART NAME	QTY	SERIAL NO.	9 9 3 4 0 0	REMARKS
1	AZ13974 AZ13979 AZ12314	SHAFT SHAFT SHAFT	1 1 1		X X X	7'9" 7'9", ASSY 8,5'
2	AZ13560 AZ13977 AZ13479	SHAFT PIPE PIPE	1 3 3		X X X	8,5', ASSY 7'9" 8,5'
3	AZ13481 AZ13978 AZ13478	PIPE PIPE PIPE	3 3 3		X X X	10' 7'9" 8,5'
4	AZ13480	PIPE	3		X	10'
5	AZ12676 Z20485	REEL SPIDER BUSHING	1 6		X X	INCL KEY 5
6	Z31184	WASHER	AR		X	
7	Z23680	SNAP RING	AR		X	22 MM
8	Z20474	DEFLECTOR	AR		X	
9	Z22124	ARM	AR		X	
10	Z27380	BEARING	AR		X	
11	21M7167	SCREW	AR		X	M5 X 18
12	12M7011	LOCK WASHER	AR		X	5 MM
13	14M7028	NUT	AR		X	M5
14	03M7069	BOLT	AR		X	M8 X 35
15	12M7008	LOCK WASHER	AR		X	8 MM
16	14M7029	NUT	AR		X	M8
17	19M7139	CAP SCREW	AR		X	M8 X 20
18	Z20478	TINE	AR		X	
19	Z20480	HOLDER	AR		X	
20	03M7071	BOLT	AR		X	M8 X 45
21	Z22126	WASHER	AR		X	
22	11M7024	COTTER PIN	AR		X	4 X 40 MM
23	Z26070	PIN	6		X	AR
24	11M7038	COTTER PIN	1		X	6 X 45 MM
25	24M7032	WASHER	1		X	31 MM
26	49M5995	SHAFT KEY	1		X	8 X 7 X 63 MM
27	14M7165	LOCK NUT	24		X	M6
28	19M6614	CAP SCREW	24		X	M6 X 12
29	Z32191	BAIL	12		X	

(1116) REEL ADJUSTING CABLE
CABLE RE REGLAGE DES RABATTEURS
HASPPELVERSTELLSEIL
CAVO DI REGOLAZIONE DELL'ASPO
CABLE DE AJUSTE DEL MOLINTE
HASPPELINSTAELLNINGSWIRE

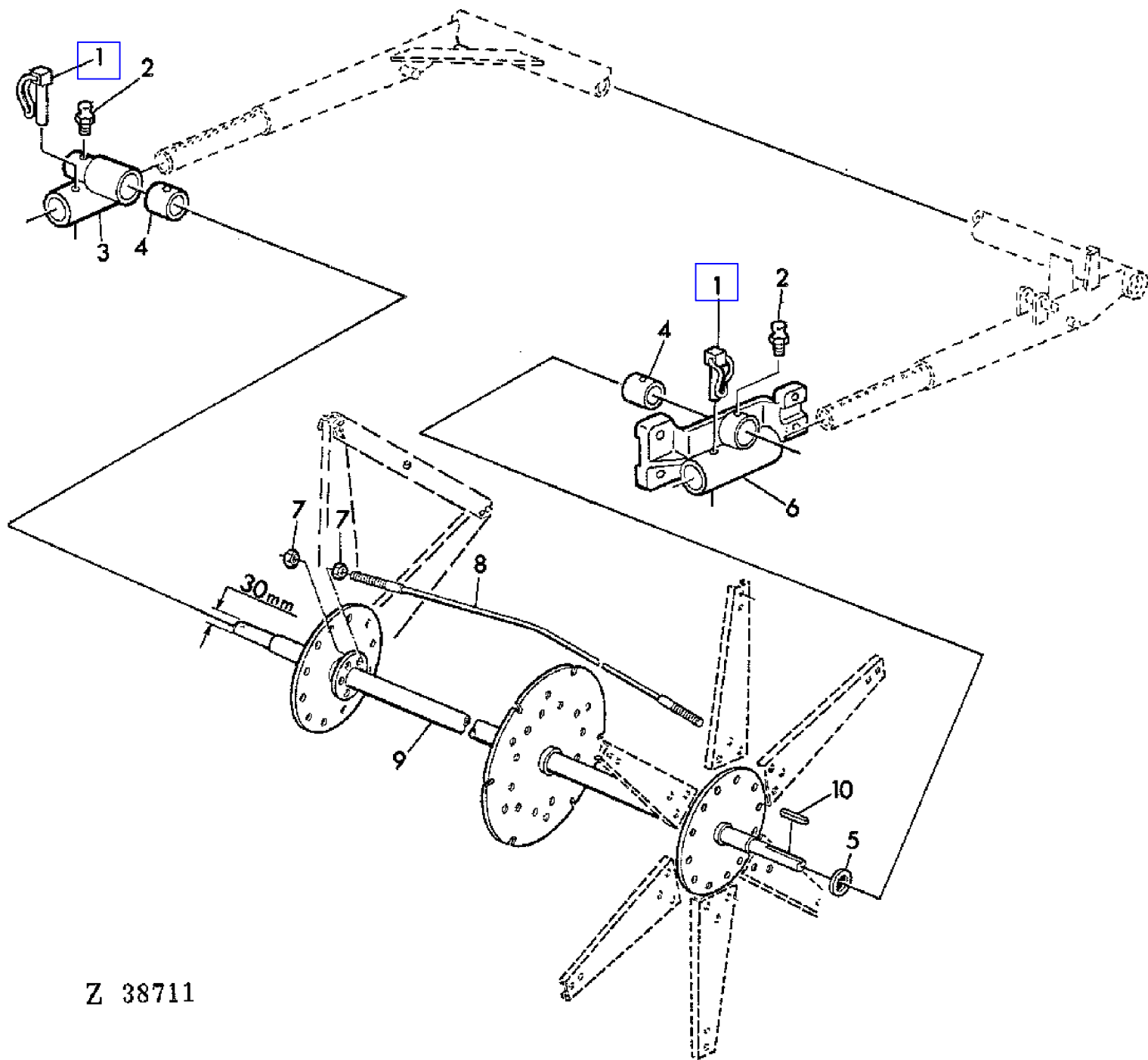


Z 58889

(1116) REEL ADJUSTING CABLE
 CABLE RE REGLAGE DES RABATTEURS
 HASPELVERSTELLSEIL
 CAVO DI REGOLAZIONE DELL'ASPO
 CABLE DE AJUSTE DEL MOLINTE
 HASPELINSTAELLNINGSWIRE

KEY	PART NO.	PART NAME	QTY	SERIAL NO.	9 9 3 4 0 0	REMARKS
1	AZ19980	ROPE	1		X	7'9", LGTH = 2625 MM
	AZ19980	ROPE	1		X	8,5', LGTH = 2625 MM
	AZ19982	ROPE	1		X	10', LGTH = 3235 MM
2	Z28162	CLEVIS	1		X	
3	19M7286	CAP SCREW	1		X	M6 X 25
4	14M7165	LOCK NUT	1		X	M6
5	Z10069	HOLDER	1		X	
6	Z10038	PULLEY	2		X	
7	40M1824	SNAP RING	1		X	18 X 1,2 MM
8	19M7139	CAP SCREW	3		X	M8 X 20
9	12M7008	LOCK WASHER	5		X	8 MM
10	14M7029	NUT	5		X	M8
11	AZ12826	CLAMP	2		X	
12	Z23366	THIMBLE	1		X	
13	Z35005	EYEBOLT	1		X	(SUB FOR AZ19979)
14	99M7007	TURNBUCKLE	1		X	6 X 110 MM (SUB FOR Z31538)
15	Z31314	BOLT	1		X	
16	11M7008	COTTER PIN	1		X	2 X 15 MM
17	24M7054	WASHER	1		X	6,4 MM
18	Z10227	HOLDER	1		X	
19	Z21612	BUSHING	1		X	
20	19M7349	CAP SCREW	1		X	M12 X 95
21	19M7163	CAP SCREW	2		X	M8 X 25
22	24M7038	WASHER	1		X	14 MM
23	12M7014	LOCK WASHER	1		X	12 MM
24	14M7031	NUT	1		X	M12

(1104) REEL AND REEL SUPPORT
RABATTEUR ET RALLONGE DE RABATTEUR
HASPEL UND HASPELLAGERUNG
ASPO E SUPPORTI
MOLINETE Y SOPORTES
HASPEL OCH BARARMAR

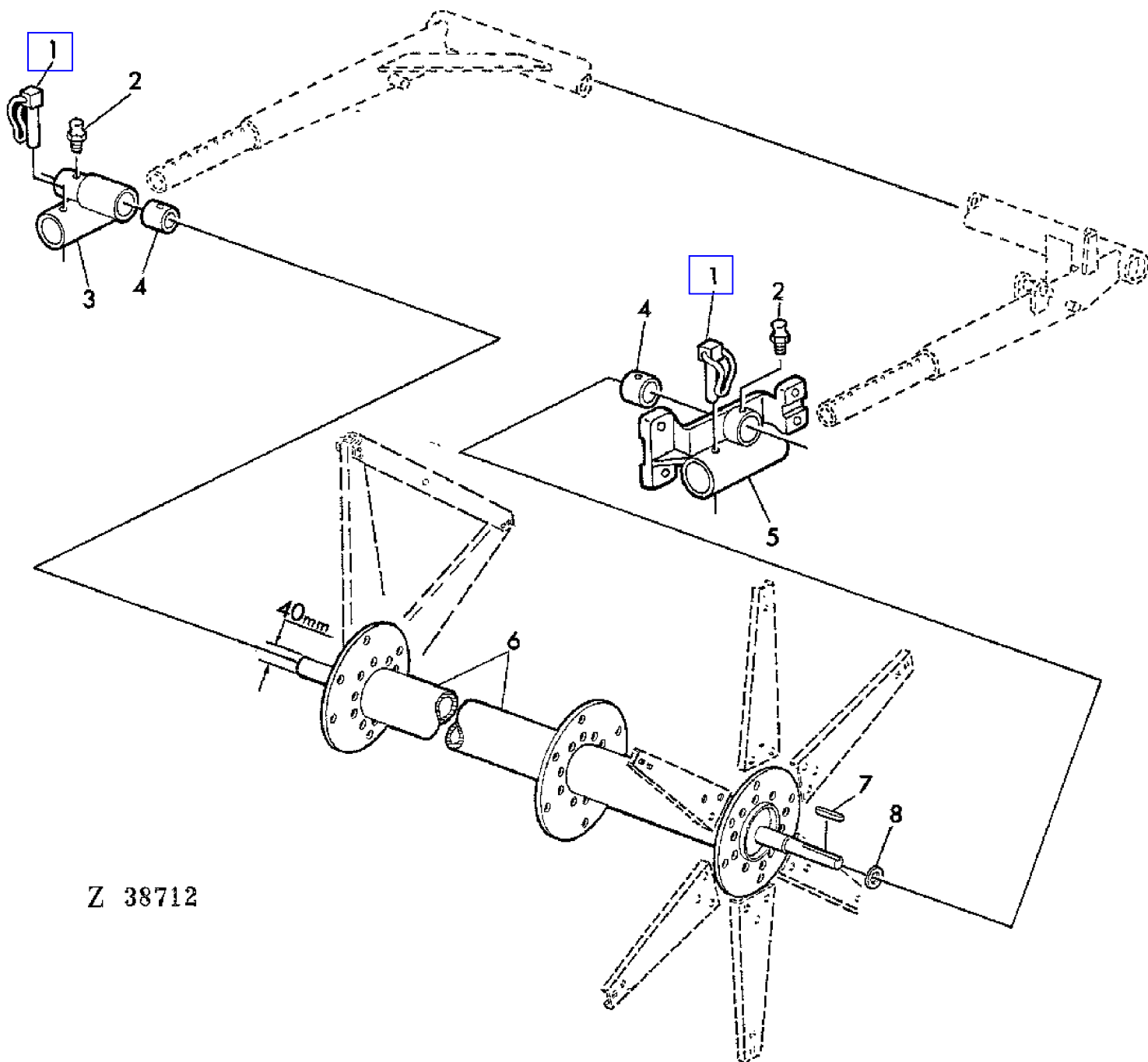


Z 38711

(1104) REEL AND REEL SUPPORT
 RABATTEUR ET RALLONGE DE RABATTEUR
 HASPEL UND HASPELLAGERUNG
 ASPO E SUPPORTI
 MOLINETE Y SOPORTES
 HASPEL OCH BARARMAR

KEY	PART NO.	PART NAME	QTY	SERIAL NO.	9 9 3 4 0 0	REMARKS
1	AZ10267	QUICK LOCK PIN	2		X	
2	58M7004	LUBRICATION FITTING	2		X	6 MM
3	AZ29094	BRACKET	1		X	RH, INCL KEY 4
4	Z41494	BUSHING	2		X	ID = 30 MM
5	Z41495	WASHER	AR		X	(SUB FOR Z35564)
6	AZ29095	BRACKET	1		X	LH, INCL KEY 4
7	14M7031	NUT	AR		X	M12
8	AZ10739	TIGHTENER	3		X	10'
9	AZ27096	SHAFT	1		X	10' (ORD AZ28915, AZ29092, AZ29093) (SUB FOR AZ12317)
	AZ13561	SHAFT	1		X	10', ASSY
	AZ27096	SHAFT	1		X	10' (ORD AZ28915 W/ AZ31493) (SUB FOR AZ12317)
10	49M5995	SHAFT KEY	1		X	8 X 7 X 63 MM
..	AZ31493	GATHERING NUMBER	AR		X	NSEP (FOR AZ28915)

(1106) REEL AND REEL SUPPORT
RABATTEUR ET RALLONGE DE RABATTEUR
HASPEL UND HASPELLAGERUNG
ASPO E SUPPORTI
MOLINETE Y SOPORTES
HASPEL OCH BARARMAR

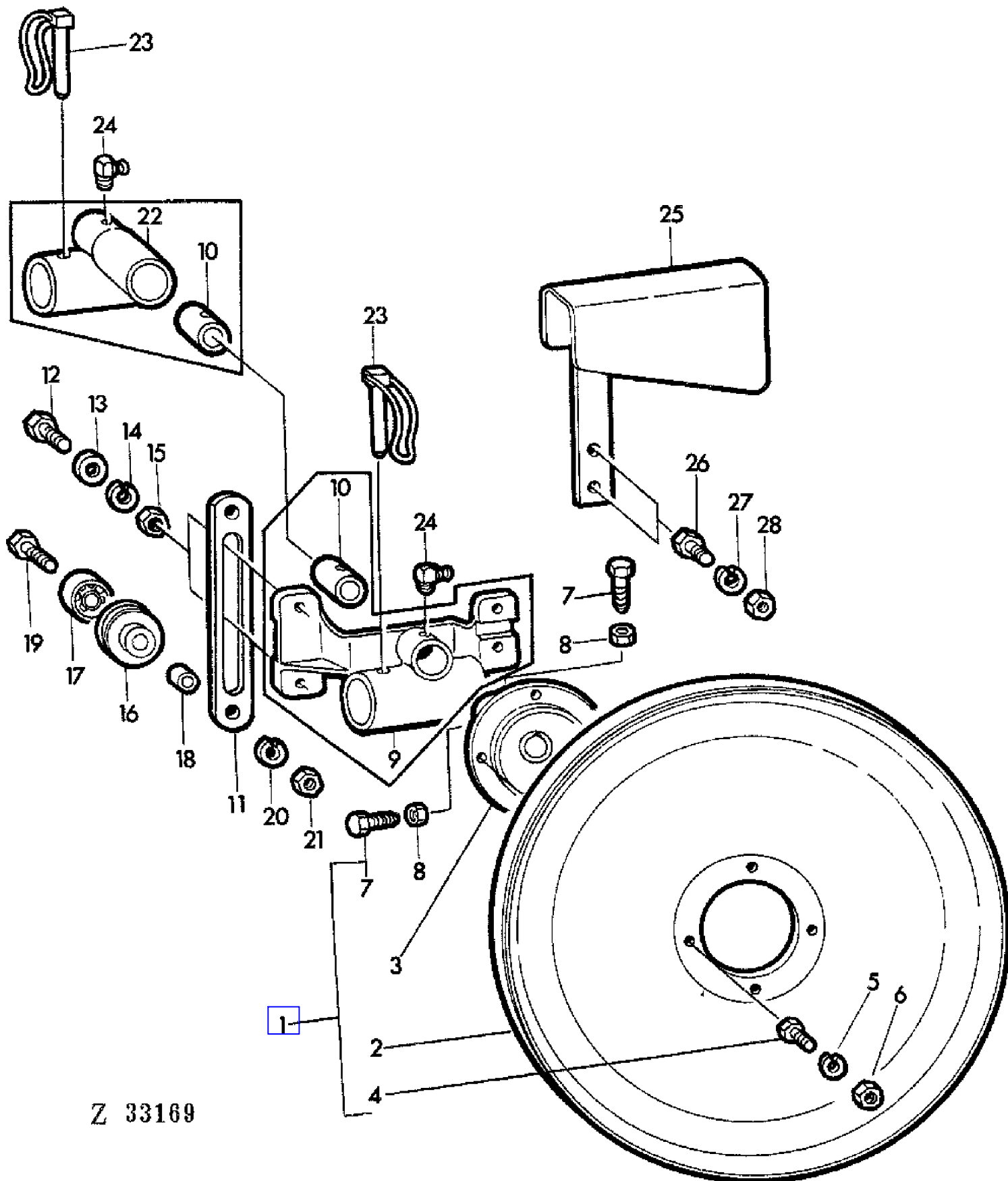


Z 38712

(1106) REEL AND REEL SUPPORT
RABATTEUR ET RALLONGE DE RABATTEUR
HASPEL UND HASPELLAGERUNG
ASPO E SUPPORTI
MOLINETE Y SOPORTES
HASPEL OCH BARARMAR

KEY	PART NO.	PART NAME	QTY	SERIAL NO.	99 34 00	REMARKS
1	AZ10267	QUICK LOCK PIN	2		X	
2	58M7004	LUBRICATION FITTING	2		X	6 MM
3	AZ29092	BRACKET	1		X	RH, INCL KEY 4
4	Z39366	BUSHING	2		X	ID = 40 MM
5	AZ29093	BRACKET	1		X	LH, INCL KEY 4
6	AZ28915	SHAFT	1		X	10'
7	49M6470	SHAFT KEY	1		X	10 X 8 X 54 MM
8	Z39386	WASHER	AR		X	

(1110) REEL DRIVE
ENTRAINEMENT DES RABATTEURS
HASPELANTRIEB
MOVIMENTO DELL'ASPO
MANDO DEL MOLINETE
HASPELDRIVNING

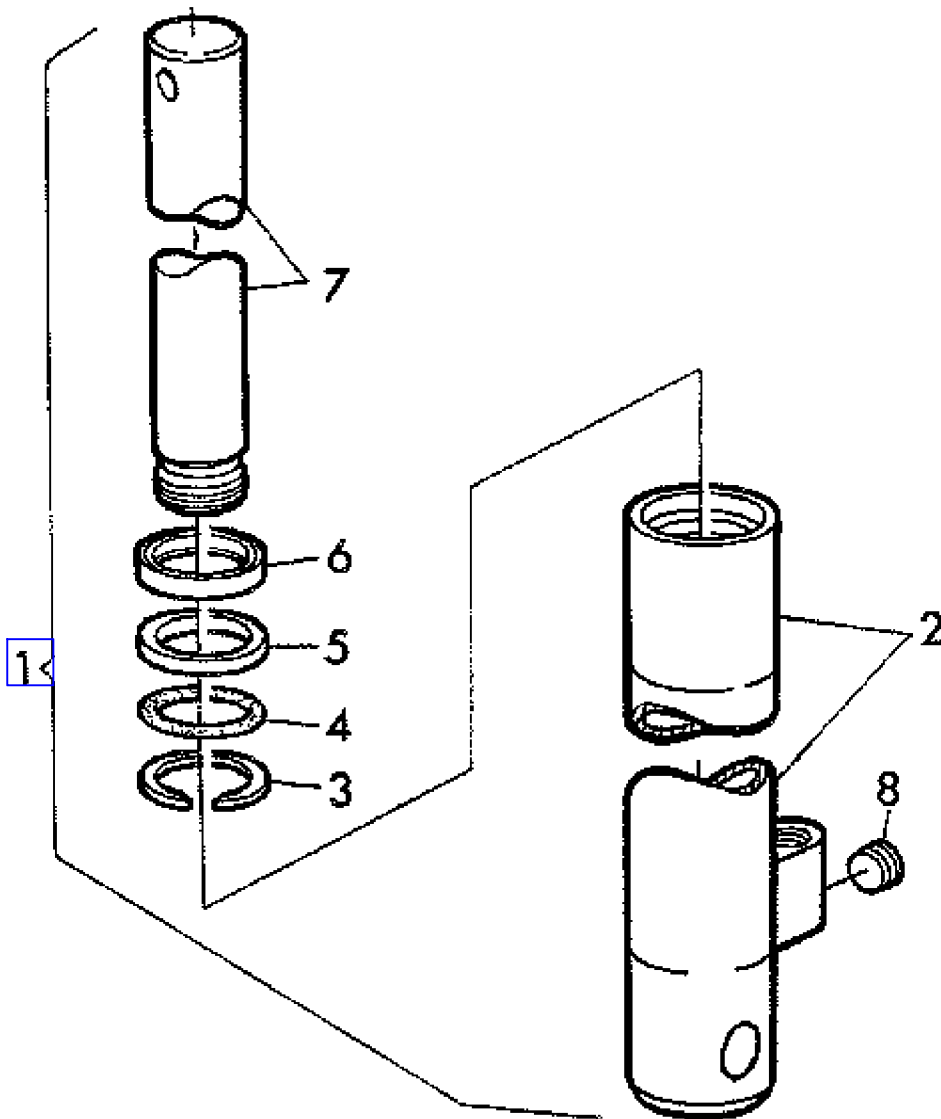


Z 33169

(1110) REEL DRIVE
 ENTRAINEMENT DES RABATTEURS
 HASPELANTRIEB
 MOVIMENTO DELL'ASPO
 MANDO DEL MOLINETE
 HASPELDRIVNING

KEY	PART NO.	PART NAME	QTY	SERIAL NO.	9 9 3 4 0 0	REMARKS
1	AZ10268	PULLEY	1		X	ASSY, INCL KEYS 2-8
2	AZ10163	PULLEY	1		X	
3	Z10031	HUB	1		X	
	Z11402	HUB	1		X	ID = 40 MM (SUB FOR Z11264)
4	19M7163	CAP SCREW	4		X	
5	12M7008	LOCK WASHER	4		X	
6	14M7029	NUT	4		X	M8
7	Z23925	SET SCREW	2		X	
8	14M7152	NUT	2		X	
9	AZ10265	BRACKET	1		X	LH (ORD AZ29095)
10	Z20492	BUSHING	2		X	
11	Z22131	STRAP	1		X	
12	19M7387	CAP SCREW	2		X	M12 X 40
13	24M7038	WASHER	2		X	
14	12M7014	LOCK WASHER	2		X	
15	14M7031	NUT	2		X	M12
16	Z10428	ROLLER	2		X	
17	JD29978	BALL BEARING	2		X	
18	Z22129	BUSHING	2		X	M14 X 65
19	19M7140	CAP SCREW	2		X	
20	12M7009	LOCK WASHER	2		X	
21	14M7141	NUT	2		X	M14
22	AZ10263	BRACKET	1		X	
23	AZ10267	QUICK LOCK PIN	2		X	
24	58M5579	LUBRICATION FITTING	2		X	8 MM
25	AZ10266	GUARD	1		X	
26	19M7167	CAP SCREW	2		X	
27	12M7013	LOCK WASHER	2		X	10 MM
28	14M7140	NUT	2		X	

(1J07) REEL LIFTING CYLINDER
VERIN DES RABATTEURS
HASPELHUBZYLINDER
CILINDRO DI SOLLEVAMENTO DELL'ASPO
CILINDRO DE ELEVACION DEL MOLINETE
LYFTCYLINDER FOR HASPELN

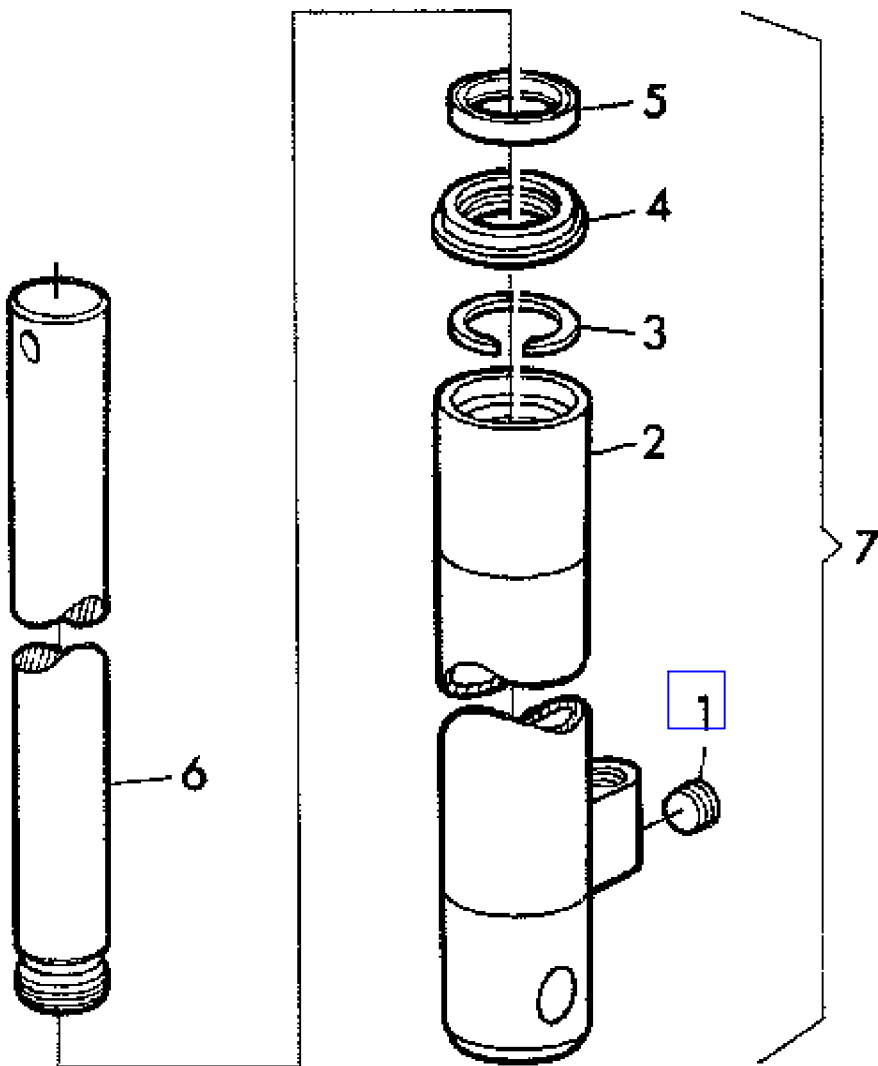


Z 31778

(1J07) REEL LIFTING CYLINDER
VERIN DES RABATTEURS
HASPELHUBZYLINDER
CILINDRO DI SOLLEVAMENTO DELL'ASPO
CILINDRO DE ELEVACION DEL MOLINETE
LYFTCYLINDER FOR HASPELN

KEY	PART NO.	PART NAME	QTY	CUTTING PLATFORM S.N.	9 9	REMARKS
					3 4	
					0 0	
1	AZ16164	HYDRAULIC CYLINDER	1	- 063233	X	ASSY, INCL KEYS 2-8 (ORD AR90987)
2	AZ16429	HYDRAULIC CYLINDER BARREL	1	- 063233	X	
3	Z27650	SNAP RING	1	- 063233	X	
4	R29463	O-RING	1	- 063233	X	21/8" X 1-1/4" (SUB FOR Z27647)
5	H60815	BACK-UP RING	1	- 063233	X	21/8" X 1-1/4" (SUB FOR Z27648)
6	Z27649	SEAL	1	- 063233	X	1-1/4"
7	Z27646	ROD	1	- 063233	X	
8	15H558	PIPE PLUG	1		X	

(1J08) REEL LIFTING CYLINDER
VERIN DES RABATTEURS
HASPELHUBZYLINDER
CILINDRO DI SOLLEVAMENTO DELL'ASPO
CILINDRO DE ELEVACION DEL MOLINETE
LYFTCYLINDER FOR HASPELN

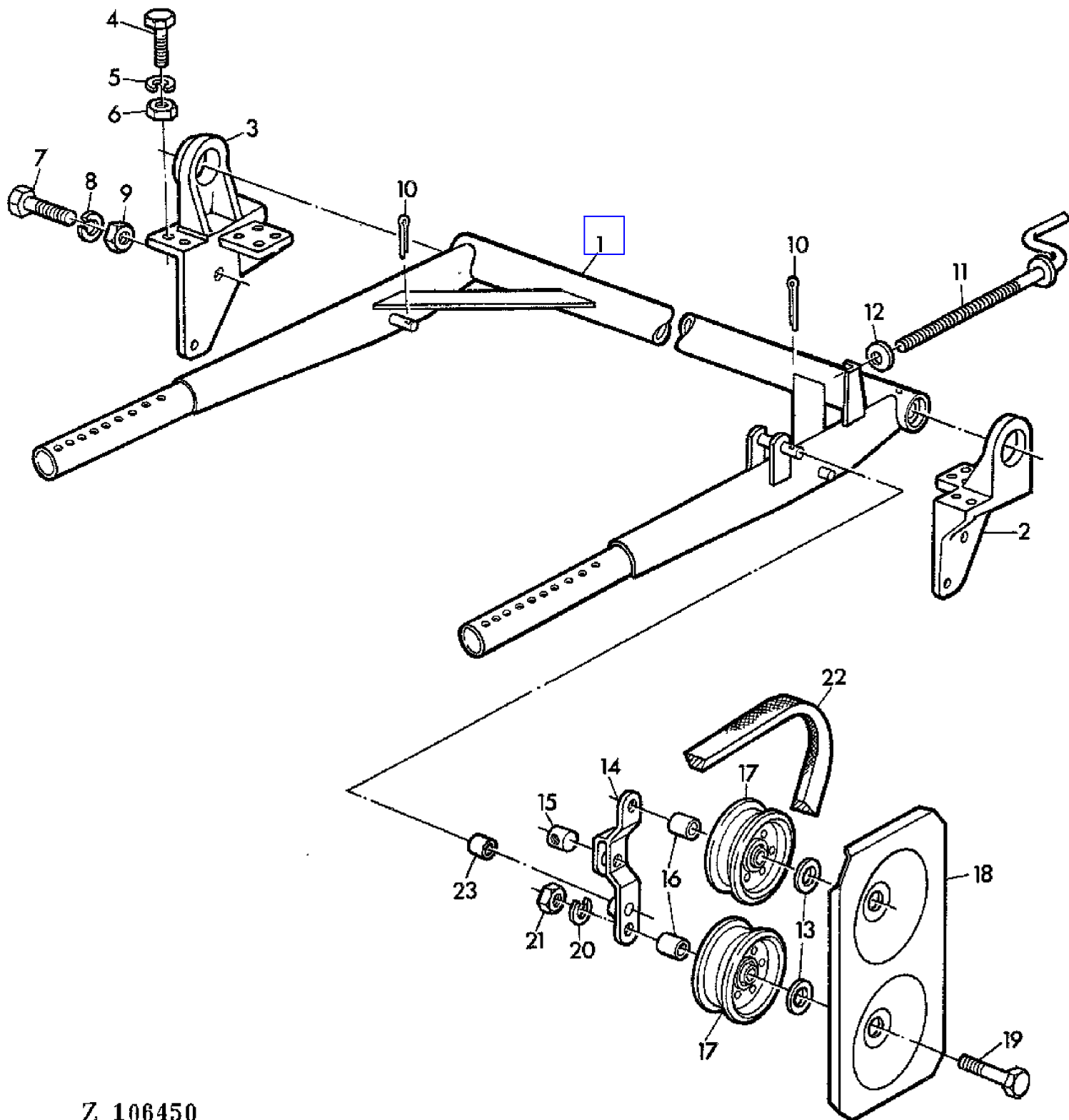


Z 31767

(1J08) REEL LIFTING CYLINDER
VERIN DES RABATTEURS
HASPELHUBZYLINDER
CILINDRO DI SOLLEVAMENTO DELL'ASPO
CILINDRO DE ELEVACION DEL MOLINETE
LYFTCYLINDER FOR HASPELN

KEY	PART NO.	PART NAME	QTY	CUTTING		9 9	REMARKS
				PLATFORM	S.N.	3 4	
<hr/>							
1	15H558	PIPE PLUG	2	063234	-	X	1/8"
2	AR90997	HYDRAULIC CYLINDER BARREL	2	063234	-	X	
3	R69721	SNAP RING	2	063234	-	X	
<hr/>							
4	N170790	SEAL	2	063234	-	X	(SUB FOR R69720)
5	AR102314	SEAL	2	063234	-	X	
6	R69719	ROD	2	063234	-	X	
<hr/>							
7	AR90987	HYDRAULIC CYLINDER	2	063234	-	X	ASSY, INCL KEYS 1-6

(1108) REEL SUPPORT ARMS
SUPPORT DES RABATTEURS
HASPELTRAEGER
SUPPORTO DELL'ASPO
SOPORTE DEL MOLINETE
HASPELUUPHAENGIN

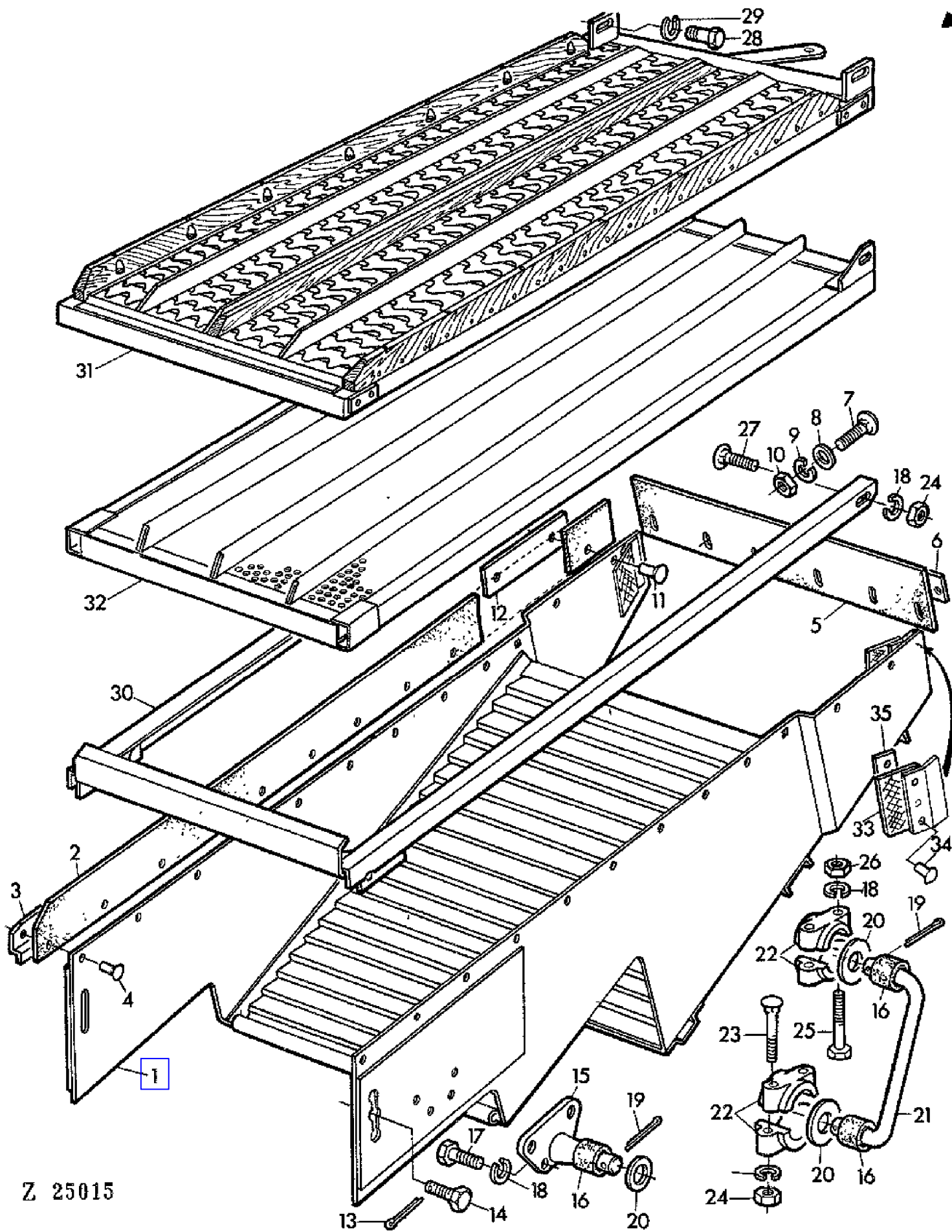


Z 106450

(1108) REEL SUPPORT ARMS
SUPPORT DES RABATTEURS
HASPELTRAEGER
SUPPORTO DELL'ASPO
SOPORTE DEL MOLINETE
HASPELUUPHAENGNING

KEY	PART NO.	PART NAME	QTY	SERIAL NO.	9 9 3 4 0 0	REMARKS
1	AZ13971	HOLDER	1		X	7'9"
	AZ14090	HOLDER	1		X	8.5'
	AZ14091	HOLDER	1		X	10'
2	Z10092	HOLDER	1		X	LH
3	Z10096	HOLDER	1		X	RH
4	19M7167	CAP SCREW	14		X	M10 X 25
5	12M7013	LOCK WASHER	14		X	10 MM
6	14M7140	NUT	14		X	M10
7	19M7387	CAP SCREW	2		X	M12 X 40
8	12M7014	LOCK WASHER	2		X	12 MM
9	14M7031	NUT	2		X	M12
10	11M7027	COTTER PIN	3		X	5 X 30 MM
11	AZ12167	TIGHTENER	1		X	
12	47M7003	WASHER	1		X	13 MM
13	L19394	WASHER	2		X	
14	AZ32636	LEVER	1		X	(SUB FOR AZ27211, Z10193)
15	Z21516	SPACER	1		X	
16	Z20468	SPACER	2		X	
17	AP24917	IDLER	2		X	
18	Z32103	GUARD	1		X	(SUB FOR AZ15004, AZ20456)
19	19M7291	CAP SCREW	2		X	M14 X 90
20	12M7009	LOCK WASHER	2		X	14 MM
21	14M7141	NUT	2		X	M14
22	Z20562	BELT	1		X	
23	Z42618	BUSHING	1		X	

(2D15) RETURN PAN WITH SIEVES AND CHAFFER
TABLE DE RETOUR D'OTONS, CADRE ET GRILLES
RUECKLAUFBODEN MIT SIEBRAHMEN UND SIEBE
PIANO DI RITORNO CON CASSONCINO E CRIVELLI
TRANSPORTADOR DE RETORNO CON CRIBAS Y ZARANDON
RETURPLAN MED SALL OCH RENSPLAT

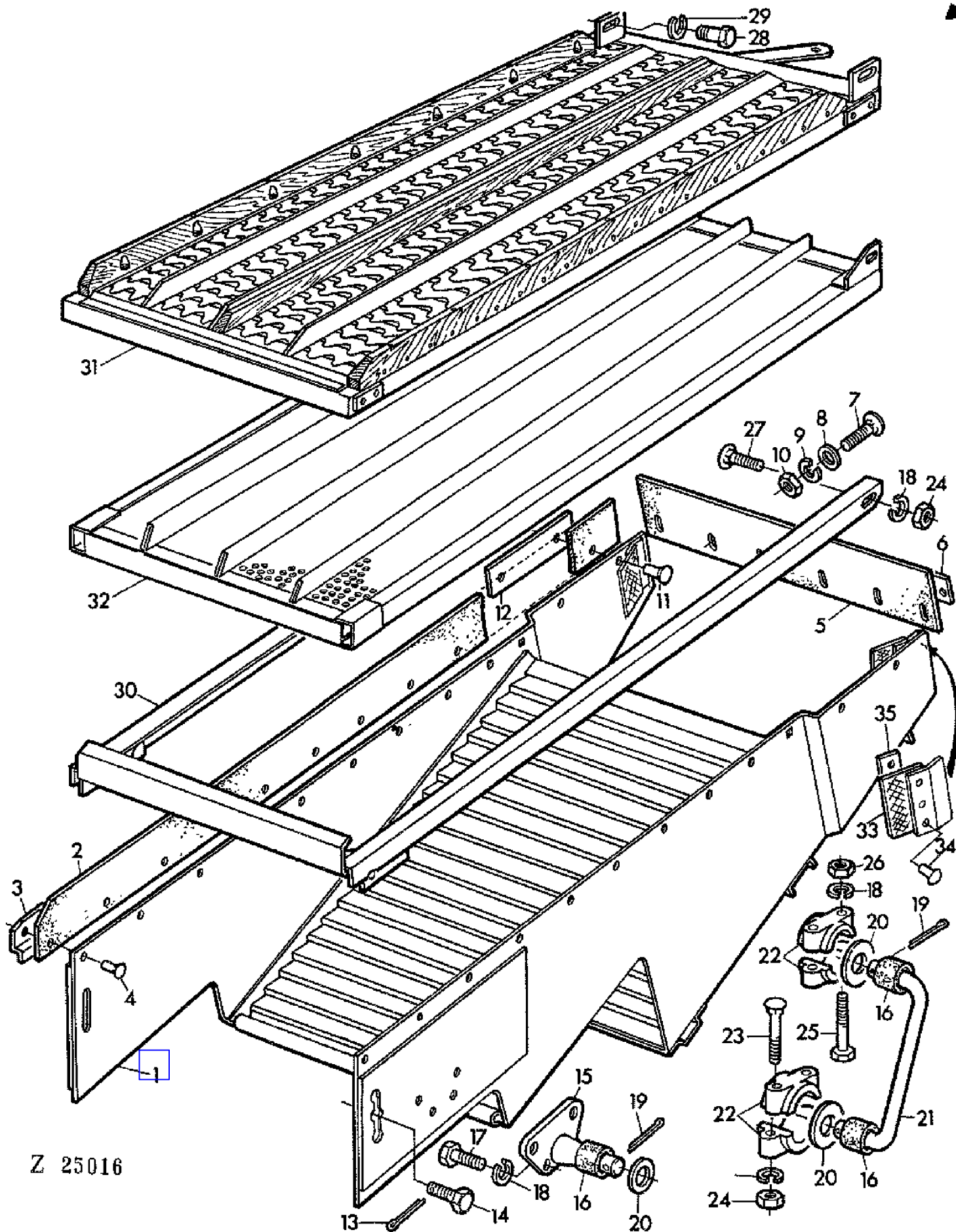


Z 25015

(2D15) RETURN PAN WITH SIEVES AND CHAFFER
 TABLE DE RETOUR D'OTONS,CADRE ET GRILLES
 RUECKLAUFBODEN MIT SIEBRAHMEN UND SIEBE
 PIANO DI RITORNO CON CASSONCINO E CRIVELLI
 TRANSPORTADOR DE RETORNO CON CRIBAS Y ZARANDON
 RETURPLAN MED SALL OCH RENSPLAT

KEY	PART NO.	PART NAME	QTY	SERIAL NO.	9 3 0	9 4 0	REMARKS
1	AZ10111	RETURN PAN	1		X		
2	Z23764	GASKET	2		X		
3	AZ15594	REINFORCEMENT	1		X		LH
	AZ15595	REINFORCEMENT	1		X		RH
4	16M2604	RIVET	18		X		6 X 18 MM
5	Z20233	GASKET	1		X		REAR
6	Z20231	REINFORCEMENT	1		X		
7	21M7031	SCREW	10		X		M6 X 15
8	24M7088	WASHER	10		X		6,6 MM
9	12M7012	LOCK WASHER	10		X		6 MM
10	14M7027	NUT	10		X		M6
11	16M2524	RIVET	4		X		6 X 18 MM
12	Z23763	STRAP	2		X		
13	11M7019	COTTER PIN	2		X		4 X 20 MM
14	Z20244	CAP SCREW	2		X		
15	AZ19242	SHAFT	2		X		ASSY, INCL KEY 16
16	P42100	BUSHING	6		X		
17	19M7162	CAP SCREW	8		X		M8 X 15
18	12M7008	LOCK WASHER	14		X		8 MM
19	11M7020	COTTER PIN	6		X		4 X 25 MM
20	24M7049	WASHER	6		X		18 MM
21	AZ19245	HANGER	2		X		ASSY, INCL KEY 16
22	PK1103P	GATHERING NUMBER	8		X		
23	03M7074	BOLT	4		X		M8 X 65
24	14M7029	NUT	14		X		M8
25	19M7271	CAP SCREW	4		X		M8 X 1 X 65
26	14M7147	NUT	4		X		M8 X 1
27	03M7090	BOLT	2		X		M8 X 15
28	19M7167	CAP SCREW	2		X		M10 X 25
29	12M7013	LOCK WASHER	2		X		10 MM
30	AZ10122	FRAME	1		X		
31	AZ10139	SIEVE	1		X		
32	AZ12461	SIEVE	1		X		2,5 MM
	AZ12462	SIEVE	1		X		4 MM
	AZ12463	SIEVE	1		X		8 MM
	AZ12464	SIEVE	1		X		10 MM
	AZ12465	SIEVE	1		X		12 MM
	AZ16273	SIEVE	1		X		13,5 MM
	AZ12466	SIEVE	1		X		15 MM
33	AZ20807	SIEVE	1		X		17MM
	Z36523	GASKET	2	XXXX -	X		
34	16M7081	RIVET	6	XXXX -	X		4 X 6 MM
35	Z36984	STRAP	2		X		

(2D17) RETURN PAN WITH SIEVES AND CHAFFER
TABLE DE RETOUR D'OTONS, CADRE ET GRILLES
RUECKLAUFBODEN MIT SIEBRAHMEN UND SIEBE
PIANO DI RITORONO CON CASSONCINO E CRIVELLI
TRANSPORTADOR DE RETORNO CON CRIBAS Y ZARANDON
RETURPLAN MED SALL OCH RENSPLAT



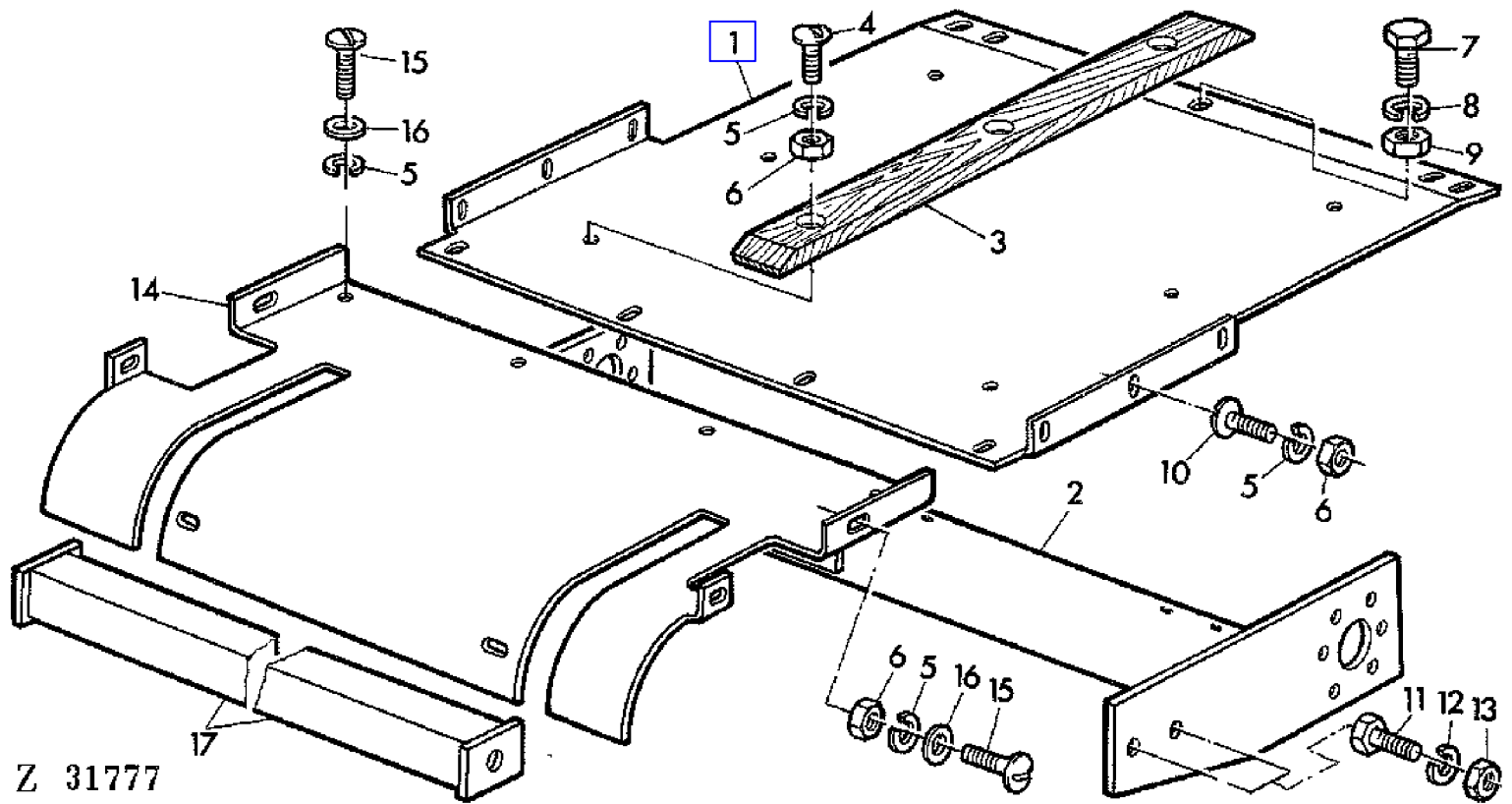
Z 25016

(2D17) RETURN PAN WITH SIEVES AND CHAFFER
 TABLE DE RETOUR D'OTONS,CADRE ET GRILLES
 RUECKLAUFBODEN MIT SIEBRAHMEN UND SIEBE
 PIANO DI RITORONO CON CASSONCINO E CRIVELLI
 TRANSPORTADOR DE RETORNO CON CRIBAS Y ZARANDON
 RETURPLAN MED SALL OCH RENSPLAT

KEY	PART NO.	PART NAME	QTY	SERIAL NO.	9 9 3 4 0 0	REMARKS
1	AZ10110	RETURN PAN	1		X	
2	Z23762	GASKET	2		X	
3	AZ15593	REINFORCEMENT	1		X	LH
	AZ15596	REINFORCEMENT	1		X	RH
4	16M2604	RIVET	18		X	6 X 18 MM
5	Z20233	GASKET	1		X	REAR
6	Z20231	REINFORCEMENT	1		X	
7	21M7031	SCREW	10		X	M6 X 15
8	24M7088	WASHER	10		X	6,6 MM
9	12M7012	LOCK WASHER	10		X	6 MM
10	14M7027	NUT	10		X	M6
11	16M2524	RIVET	4		X	6 X 18 MM
12	Z23763	STRAP	2		X	
13	11M7019	COTTER PIN	2		X	4 X 20 MM
14	Z20244	CAP SCREW	2		X	
15	AZ19242	SHAFT	2		X	ASSY, INCL KEY 16
16	P42100	BUSHING	6		X	
17	19M7162	CAP SCREW	8		X	M8 X 15
18	12M7008	LOCK WASHER	14		X	8 MM
19	11M7020	COTTER PIN	6		X	4 X 25 MM
20	24M7049	WASHER	6		X	18 MM
21	AZ19245	HANGER	2		X	ASSY, INCL KEY 16
22	PK1103P	GATHERING NUMBER	8		X	
23	03M7074	BOLT	4		X	M8 X 65
24	14M7029	NUT	14		X	M8
25	19M7271	CAP SCREW	4		X	M8 X 1 X 65
26	14M7147	NUT	4		X	M8 X 1
27	03M7090	BOLT	2		X	M8 X 15
28	19M7167	CAP SCREW	2		X	M10 X 25
29	12M7013	LOCK WASHER	2		X	10 MM
30	AZ10121	SCREEN	1		X	
31	AZ10137	SIEVE	1		X	
32	AZ16811	SIEVE	1		X	1,5 MM
	AZ12455	SIEVE	1		X	2,5 MM
	AZ12456	SIEVE	1		X	4 MM
	AZ12457	SIEVE	1		X	8 MM
	AZ12458	SIEVE	1		X	10 MM
	AZ12459	SIEVE	1		X	12 MM
	AZ17164	SIEVE	1		X	13,5 MM
33	AZ12460	SIEVE	1		X	15 MM
	Z36523	GASKET	2		X	AR
34	16M7081	RIVET	6		X	AR, 4 X 6 MM
35	Z36984	STRAP	2		X	

(1J05) RETURN SHIELDS

TOLES INTERMEDIAIRES DU CONVOYEUR
ZWISCHENBODEN FUER SCHRAEGFOERDERER
FONDO INTERMEDIO PER IL CONVOGLIATORE INCLINATO
FONDO INTERMEDIO PARA EL ELEVADOR DE MIES
RETURPLAATAR

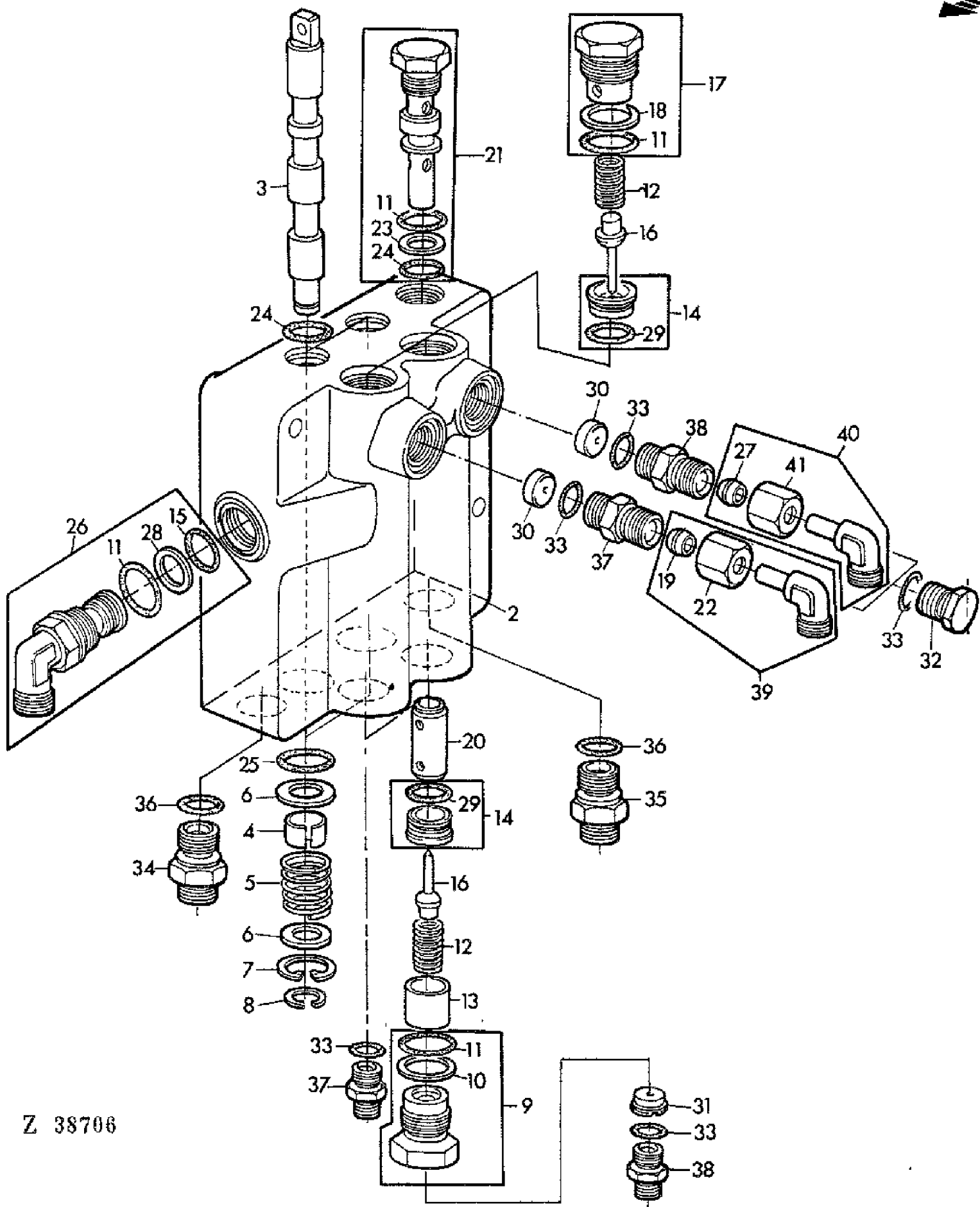


(1J05) RETURN SHIELDS

TOLES INTERMEDIAIRES DU CONVOYEUR
 ZWISCHENBODEN FUER SCHRAEGFOERDERER
 FONDO INTERMEDIO PER IL CONVOGLIATORE INCLINATO
 FONDO INTERMEDIO PARA EL ELEVADOR DE MIES
 RETURPLAATAR

KEY	PART NO.	PART NAME	QTY	SERIAL NO.	9 9 3 4 0 0	REMARKS
1	AZ16687	SHEET	1		X	
2	AZ16686	STABILIZER	1		X	
3	Z20540	SLAT	2		X	
4	03M7068	BOLT	6		X	M6 X 20
5	12M7012	LOCK WASHER	23		X	6 MM
6	14M7027	NUT	12		X	M6
7	19M7162	CAP SCREW	4		X	M8 X 15
8	12M7008	LOCK WASHER	4		X	8 MM
9	14M7029	NUT	4		X	M8
10	21M7087	SCREW	6		X	M6 X 12
11	19M7283	CAP SCREW	4		X	M16 X 35
12	12M7017	LOCK WASHER	4		X	16 MM
13	14M7142	NUT	4		X	M16
14	AZ15888	DUST SHIELD	1		X	
15	21M7031	SCREW	11		X	M6 X 15
16	Z26250	WASHER	11		X	
17	AZ16684	STABILIZER	1		X	

(1E17) SELECTIVE CONTROL VALVE-DUAL
DISTRIBUTEUR, DOUBLE
STEUERGERAET-ZWEIFACH
DISTRIBUTORE DOPPIO
VALVULA DE MANDO DOBLE
MANOEVERTENTIL DUBBELVERKANDE



Z 38706

(1E17) SELECTIVE CONTROL VALVE-DUAL
DISTRIBUTEUR,DOUBLE
STEUERGERAET-ZWEIFACH
DISTRIBUTORE DOPPIO
VALVULA DE MANDO DOBLE
MANOEVERTENTIL DUBBELVERKANDE

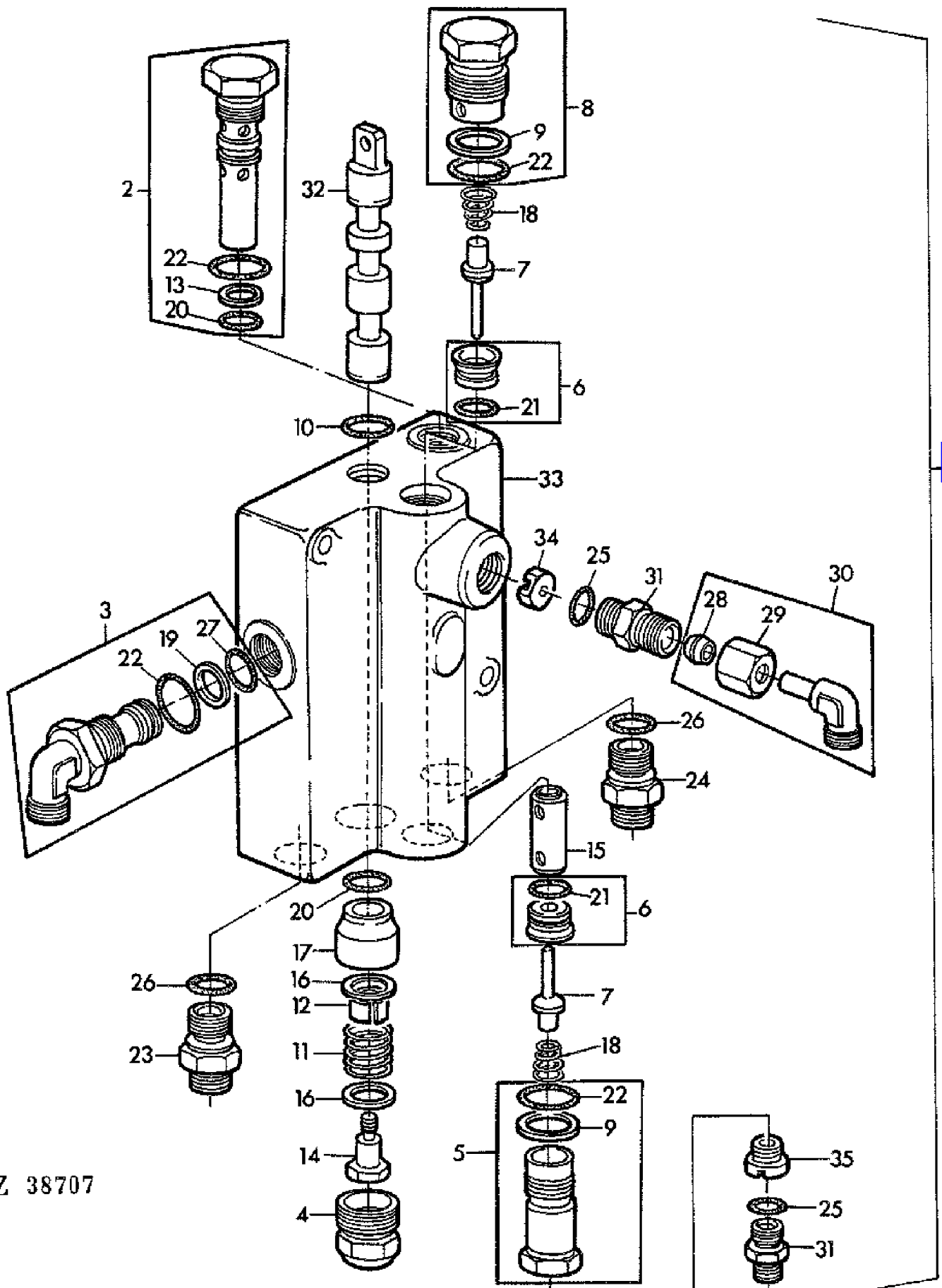
KEY	PART NO.	PART NAME	QTY	SERIAL NO.	9 9 3 4 0 0	REMARKS
1	AZ21152	CONTROL VALVE	1		X X	INCL KEYS 2-18,20,21,23-26,28-36 (ORD AZ30317) (INCL KEYS 2-18,20,21,23-26,28,29 W/ AZ22654) (SUB FOR AZ21152)
	AZ30317	CONTROL VALVE	1		X X	
2	SPOOL VALVE	1		X X	(ORD AZ21152)
3	HOUSING	2		X X	(ORD AZ21152)
4	H62801	BUSHING	2		X X	
5	H60819	SPRING	2		X X	
6	N31767	WASHER	4		X X	
7	H60820	SNAP RING	2		X X	
8	32244A	LOCK PLATE	2		X X	
9	AZ22925	FITTING	1		X X	
10	H35230	BACK-UP RING	2		X X	
11	T13119	O-RING	2		X X	
12	N31765	SPRING	4		X X	
13	Z30561	SPACER	2		X X	
14	AZ17996	VALVE SEAT INSERT	4		X X	
15	Z29304	O-RING	1		X X	
16	AN30940	POPPET	4		X X	
17	AH64080	FITTING	2		X X	
18	H35230	BACK-UP RING	2		X X	(SUB FOR Z29823)
19	Z32996	SLEEVE FITTING	1		X X	
20	N31766	PLUNGER	2		X X	
21	AZ19272	RELIEF VALVE	1		X X	(SUB FOR Z29824)
22	Z32976	TUBE NUT	1		X X	
23	H63357	BACK-UP RING	1		X X	
24	R375R	O-RING	3		X X	
25	H36256	O-RING	2		X X	
26	AZ19488	ELBOW FITTING	1		X X	
27	Z22675	SLEEVE FITTING	1		X X	
28	N140001	BACK-UP RING	1		X X	
29	R27166	O-RING	4		X X	
30	Z28045	ORIFICE	2		X X	ID = 0,900 MM (SUB FOR Z32157) ID = 0,800 MM
31	Z32156	ORIFICE	2		X X	
32	R27218	FITTING PLUG	2		X X	
33	R26448	O-RING	5		X X	(SUB FOR Z22677) (SUB FOR Z22102) (SUB FOR Z22343)
34	Z32997	SLEEVE FITTING	1		X X	
35	Z32966	FITTING	1		X X	
36	R26375	O-RING	2		X X	(SUB FOR Z22678) (SUB FOR Z29827) (SUB FOR Z22248)
37	Z32963	FITTING	2		X X	
38	Z32969	FITTING	2		X X	
39	AZ21973	ELBOW FITTING	1		X X	(SUB FOR AZ21274) (SUB FOR AZ21273) (SUB FOR Z29823)
40	AZ21972	ELBOW FITTING	1		X X	
41	Z22345	FITTING	1		X X	
..	AZ22654	TUNE-UP KIT	1		X X	KIT, INCL KEYS 11,15,16,18,23-25,28 (SUB FOR AZ19271)

(PC4126) Combines 930, 940

(1E17) SELECTIVE CONTROL VALVE-DUAL
DISTRIBUTEUR,DOUBLE
STEUERGERAET-ZWEIFACH
DISTRIBUTORE DOPPIO
VALVULA DE MANDO DOBLE
MANOEVERTENTIL DUBBELVERKANDE

KEY	PART NO.	PART NAME	QTY	SERIAL NO.	9 9 3 4 0 0	REMARKS
-----	----------	-----------	-----	------------	-------------------	---------

(1E19) SELECTIVE CONTROL VALVE-SINGLE
DISTRIBUTEUR, SIMPLE
STEUERGERAET-EINFACH
DISTRIBUTORE SEMPLICE
VALVULA DE MANDO SIMPLE
MANOEVERTENTIL, ENKELVERKANDE

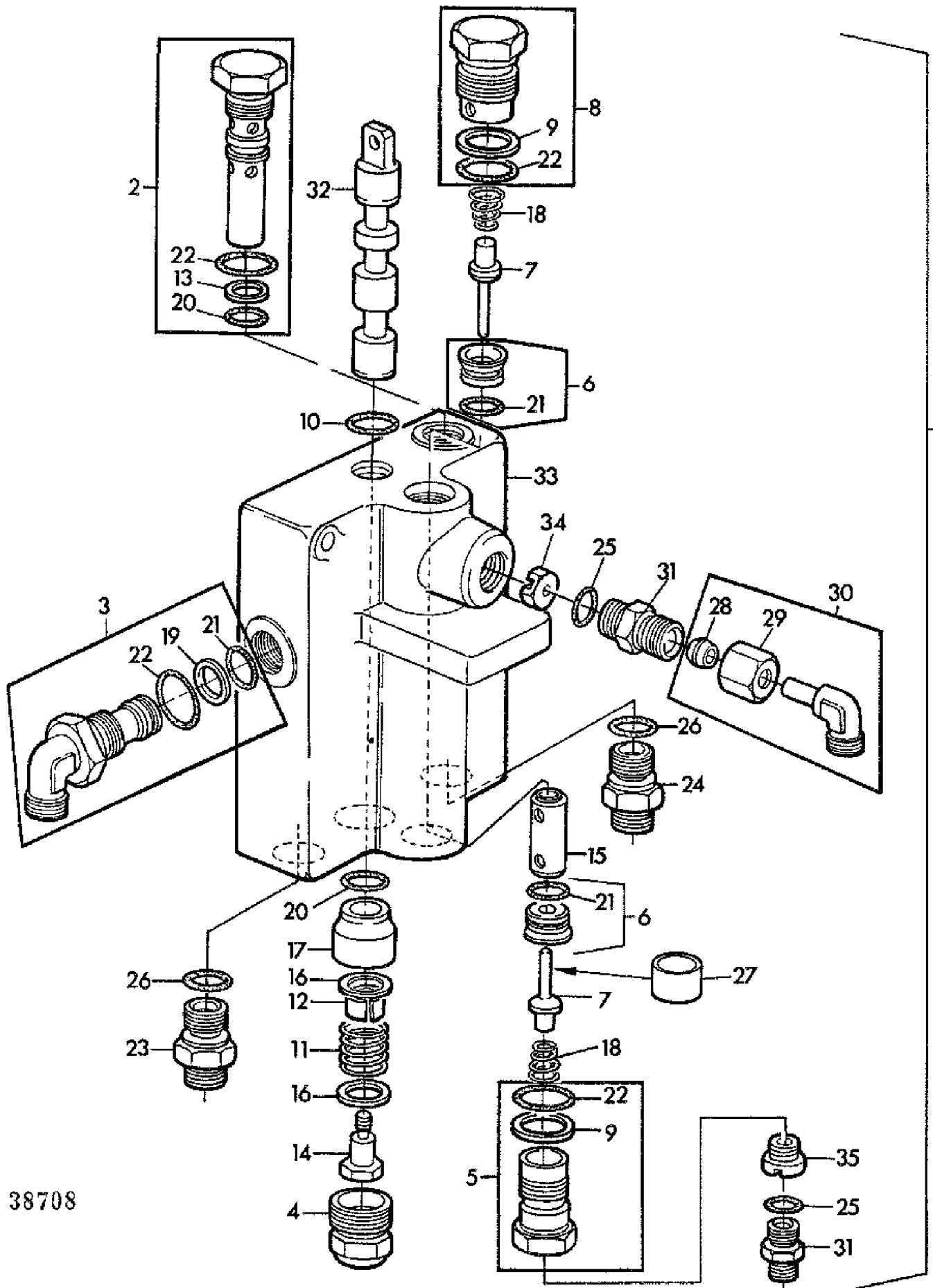


Z 38707

(1E19) SELECTIVE CONTROL VALVE-SINGLE
DISTRIBUTEUR, SIMPLE
STEUERGERAET-EINFACH
DISTRIBUTORE SEMPLICE
VALVULA DE MANDO SIMPLE
MANOEVERTENTIL, ENKELVERKANDE

KEY	PART NO.	PART NAME	QTY	SERIAL NO.	9 9 3 4 0 0	REMARKS
1	AZ19373	CONTROL VALVE	1		X X	ASSY, INCL KEYS 2-35 (ORD AZ24477) (INCL KEYS 2-22,27,32,33 W/ AZ225564) (SUB FOR AZ24477)
	AZ30319	CONTROL VALVE	1		X X	
2	AZ19272	RELIEF VALVE	1		X X	
3	AZ19488	ELBOW FITTING	1		X X	
4	AH78788	PLUG	1		X X	
5	AH78789	FITTING	1		X X	
6	AH20823	VALVE SEAT INSERT	2		X X	(FOR AZ19373)
	AZ17996	VALVE SEAT INSERT	2		X X	(FOR AZ30319)
7	AN30940	POPPET	2		X X	
8	AN110775	FITTING	1		X X	
9	H35230	BACK-UP RING	2		X X	
10	H36256	O-RING	1		X X	
11	H60819	SPRING	1		X X	
12	H62801	BUSHING	1		X X	
13	H63357	BACK-UP RING	1		X X	
14	H63987	CAP SCREW	1		X X	
15	N31766	PLUNGER	1		X X	
16	N31767	WASHER	2		X X	
17	N111488	BUSHING	1		X X	
18	N111493	SPRING	2		X X	
19	N140001	BACK-UP RING	1		X X	
20	R375R	O-RING	2		X X	
21	R459R	O-RING	2		X X	
22	T13119	O-RING	4		X X	
23	Z32967	FITTING	1		X X	(SUB FOR Z22102)
24	Z32966	FITTING	1		X X	(SUB FOR Z22343)
25	R26448	O-RING	2		X X	(SUB FOR Z22677)
26	R26375	O-RING	2		X X	(SUB FOR Z22678)
27	R27166	O-RING	1		X X	(SUB FOR Z29304)
28	Z32996	SLEEVE FITTING	1		X X	(SUB FOR Z29823)
29	Z32976	TUBE NUT	1		X X	(SUB FOR Z29824)
30	AZ21973	ELBOW FITTING	1		X X	(SUB FOR AZ21274)
31	Z32963	FITTING	2		X X	(SUB FOR Z29827)
32	SPOOL VALVE	1		X X	(ORD AZ24477)
33	HOUSING	1		X X	(ORD AZ24477)
34	Z28045	ORIFICE	1		X X	ID = 0,900 MM (SUB FOR Z32157)
35	Z32156	ORIFICE	1		X X	ID = 0,800 MM
..	AZ22654	TUNE-UP KIT	1		X X	KIT, INCL KEYS 7,9,10,19-22,27 (SUB FOR AZ19267)

(1E21) SELECTIVE CONTROL VALVE-SINGLE
DISTRIBUTEUR, SIMPLE
STEUERGERAET - EINFACH
DISTUBUTORE SEMPLICE
VALVULA DE MANDO SIMPLE
MANOEVERVENTIL, ENKELVERKANDE

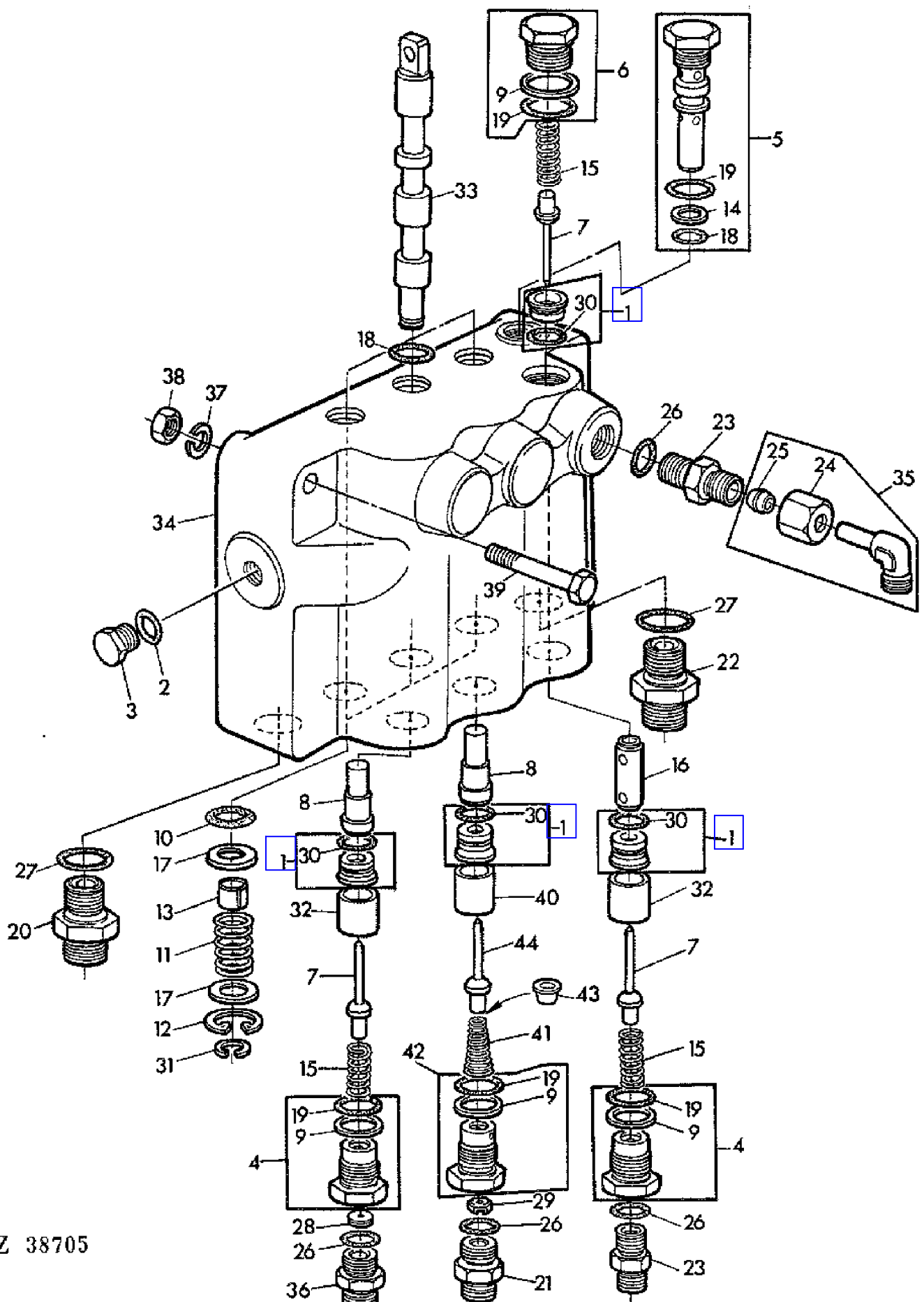


Z 38708

(1E21) SELECTIVE CONTROL VALVE-SINGLE
DISTRIBUTEUR, SIMPLE
STEUERGERAET - EINFACH
DISTUBUTORE SEMPLICE
VALVULA DE MANDO SIMPLE
MANOEVERTENTIL, ENKELVERKANDE

KEY	PART NO.	PART NAME	QTY	SERIAL NO.	9 9 3 4 0 0	REMARKS
1	AZ24477	CONTROL VALVE	1		X X	ASSY, INCL KEYS 2-35 (ORD AZ30319) (SUB FOR AZ19373)
	AZ24477	CONTROL VALVE	1			
2	AZ19272	RELIEF VALVE	1		X X	
3	AZ19488	ELBOW FITTING	1		X X	
4	AH78788	PLUG	1		X X	
5	AZ22925	FITTING	1		X X	
6	AZ17996	VALVE SEAT INSERT	2		X X	
7	AN30940	POPPET	2		X X	
8	AH64080	FITTING	1		X X	
9	H35230	BACK-UP RING	2		X X	
10	H36256	O-RING	1		X X	
11	H60819	SPRING	1		X X	
12	H62801	BUSHING	1		X X	
13	H63357	BACK-UP RING	1		X X	
14	H63987	CAP SCREW	1		X X	
15	N31766	PLUNGER	1		X X	
16	N37767	GATHERING NUMBER	2		X X	
17	N111488	BUSHING	1		X X	
18	N31765	SPRING	2		X X	
19	N140001	BACK-UP RING	1		X X	
20	R375R	O-RING	3		X X	
21	Z29304	O-RING	3		X X	
22	T13119	O-RING	3		X X	
23	Z32967	FITTING	1		X X	
24	Z32966	FITTING	1		X X	
25	R26448	O-RING	2		X X	
26	R26375	O-RING	2		X X	
27	Z30561	SPACER	1		X X	
28	Z32996	SLEEVE FITTING	1		X X	
29	Z32976	TUBE NUT	1		X X	
30	AZ21973	ELBOW FITTING	1		X X	
31	Z32963	FITTING	2		X X	
32	SPOOL VALVE	1		X X	(ORD AZ24477)
33	HOUSING	1		X X	(ORD AZ24477)
34	Z32157	ORIFICE	1		X X	ID = 1,000 MM
35	Z32156	ORIFICE	1		X X	ID = 0,800 MM
..	AZ22654	TUNE-UP KIT	1		X X	KIT, INCL KEYS 7,9,10,19-22,27

(1E11) SELECTIVE CONTROL VALVE-TRIPLE
DISTRIBUTEUR TRIPLE
STEUERGERAET - DREIFACH
DISTRIBUTORE TRIPLO
VALVULA DE MANDO TRIPLE
MANOEVERTENTIL,FREDUBBELVERKANDE



Z 38705

(1E11) SELECTIVE CONTROL VALVE-TRIPLE
DISTRIBUTEUR TRIPLE
STEUERGERAET - DREIFACH
DISTRIBUTORE TRIPLO
VALVULA DE MANDO TRIPLE
MANOEVERTENTIL,FREDUBBELVERKANDE

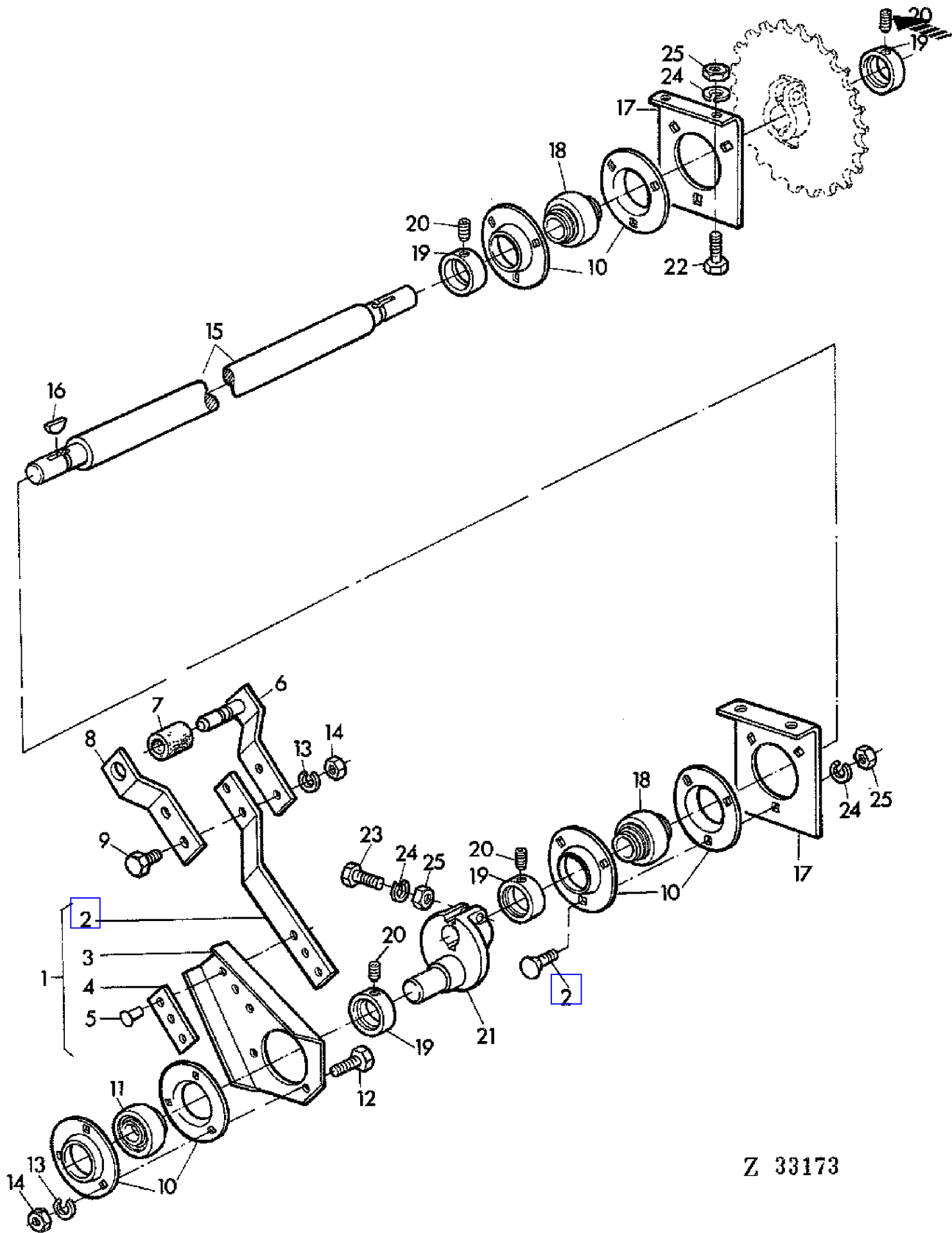
KEY	PART NO.	PART NAME	QTY	SERIAL NO.	9 9 3 4 0 0	REMARKS
1	AZ17996	VALVE SEAT INSERT	4		XX	
2	R26287	O-RING	1		XX	
3	R31631	DRAIN PLUG	1		XX	
4	AZ22925	FITTING	2		XX	
5	AH63330	RELIEF VALVE	1		XX	
6	AH64080	FITTING	4		XX	
7	AN30940	POPPET	4		XX	
8	H35229	PLUNGER	2		XX	
9	H35230	BACK-UP RING	4		XX	
10	H36256	O-RING	3		XX	
11	H60819	SPRING	3		XX	
12	H60820	SNAP RING	3		XX	
13	H62801	BUSHING	3		XX	
14	H63357	BACK-UP RING	1		XX	
15	N31765	SPRING	4		XX	
16	N31766	PLUNGER	1		XX	
17	N31767	WASHER	6		XX	
18	R375R	O-RING	4		XX	
19	T13119	O-RING	5		XX	
20	Z32967	FITTING	1		XX	(SUB FOR Z22102)
21	Z32968	FITTING	1		XX	(SUB FOR Z22103)
22	Z32966	FITTING	1		XX	(SUB FOR Z22343)
23	Z32969	FITTING	2		XX	(SUB FOR Z22348)
24	Z32975	TUBE NUT	1		XX	(SUB FOR Z22349)
25	Z32997	SLEEVE FITTING	1		XX	(SUB FOR Z22350)
26	R26448	O-RING	4		XX	(SUB FOR Z22677)
27	R26375	O-RING	2		XX	(SUB FOR Z22678)
28	Z23364	ORIFICE	1		XX	ID = 1,400 MM
29	Z23713	ORIFICE	1		XX	ID = 2,514 MM
30	R27166	O-RING	4		XX	(SUB FOR Z29304)
31	32244A	LOCK PLATE	1		XX	
32	Z30561	SPACER	3		XX	
33	SPOOL VALVE	1		XX	NSEP (ORD AZ33489)
34	HOUSING	1		XX	NSEP (ORD AZ33489)
35	AZ21972	ELBOW FITTING	1		XX	(SUB FOR AZ21273)
36	Z32963	FITTING	1		XX	
37	12M7008	LOCK WASHER	2		XX	8 MM
38	14M7029	NUT	2		XX	M8
39	19M7185	CAP SCREW	2		XX	M8 X 60

(A) (930421-) ,(941031-)ORDER PARTS 40 TO 44
 (930421-) ,(941031-)COMMANDER POS.40-44
 (930421-) ,(941031-)BESTELLE POS.40-44
 (930421-) ,(941031-)ORDINARE POS.40-44
 (930421-) ,(941031-)PEDIR PIEZAS 40 A 44
 (930421-) ,(941031-)BESTAELLA POS.40-44

(1E11) SELECTIVE CONTROL VALVE-TRIPLE
DISTRIBUTEUR TRIPLE
STEUERGERAET - DREIFACH
DISTRIBUTORE TRIPLO
VALVULA DE MANDO TRIPLE
MANOEVERTENTIL,FREDUBBELVERKANDE

KEY	PART NO.	PART NAME	QTY	SERIAL NO.	99 34 00	REMARKS
40	Z33642	GUIDE	1		XX	(A)
41	H81705	SPRING	1		XX	(A)
42	AZ22653	FITTING	1		XX	(A)
43	H84537	GUIDE	1		XX	
44	AH80223	POPPET	1		XX	(A)
..	AZ22654	TUNE-UP KIT	1		XX	KIT, INCL KEYS 7,9,10,18,19,30 (SUB FOR AZ19149)
..	AZ33489	CONTROL VALVE	1		XX	(SUB FOR AZ19372, AZ30316)
(A)	(930421-),(941031-)	ORDER PARTS 40 TO 44		
	(930421-),(941031-)	COMMANDER POS.40-44		
	(930421-),(941031-)	BESTELLE POS.40-44		
	(930421-),(941031-)	ORDINARE POS.40-44		
	(930421-),(941031-)	PEDIR PIEZAS 40 A 44		
	(930421-),(941031-)	BESTAELLA POS.40-44		

(2D21) SHOE CRANK AND PITMAN
BIELLE ET ARBRE DES SECOUEURS
KURBELSTANGE UND WELLE
MANOVELLA E ALBERO
BIELAS Y BARRA DE VIAVEN
VEVAXEL OCH VEVARM

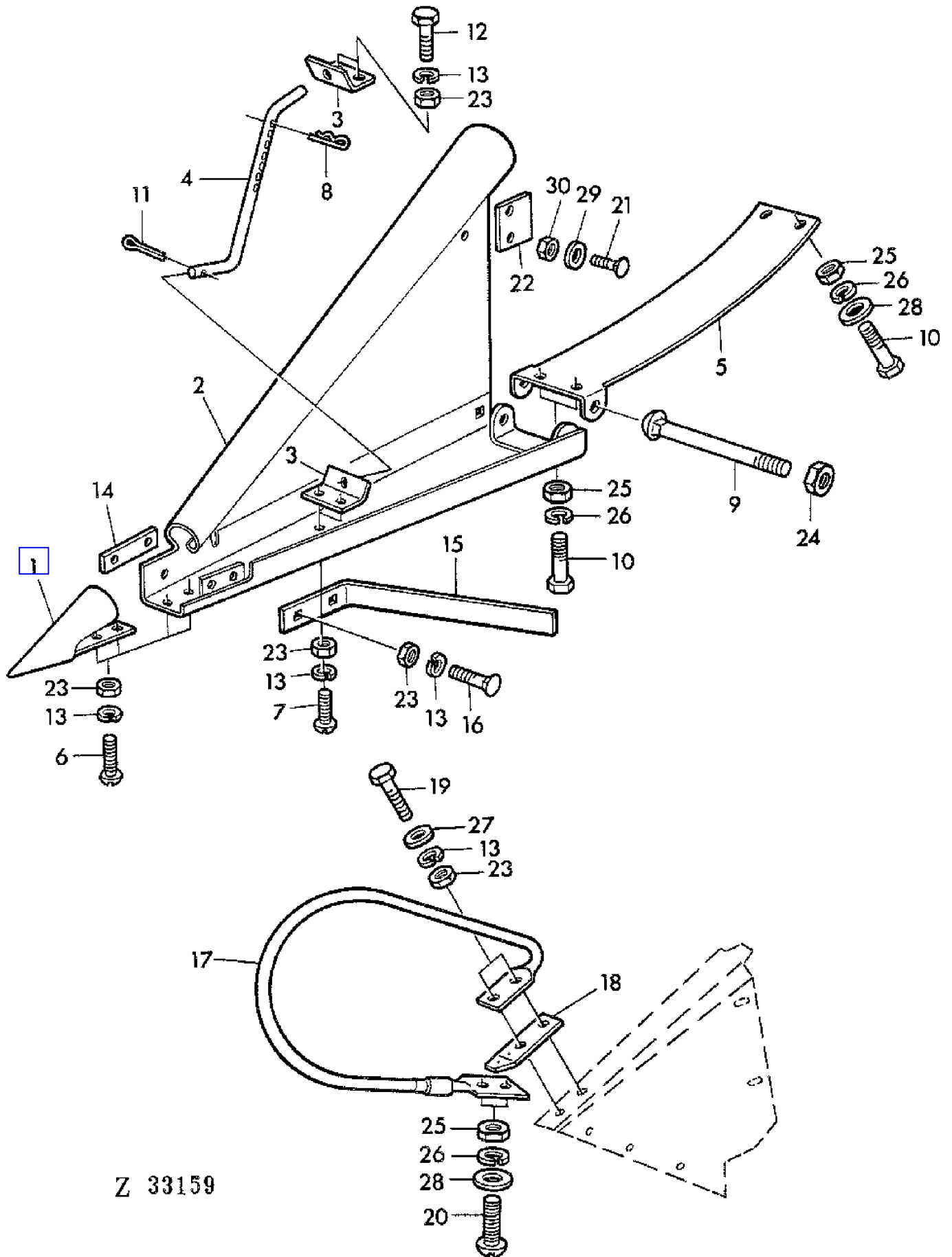


Z 33173

(2D21) SHOE CRANK AND PITMAN
BIELLE ET ARBRE DES SECOUEURS
KURBELSTANGE UND WELLE
MANOVELLA E ALBERO
BIELAS Y BARRA DE VIAVEN
VEVAXEL OCH VEVARM

KEY	PART NO.	PART NAME	QTY	SERIAL NO.	9 9 3 4 0 0	REMARKS
1	AZ10197	ARM	1		X X	
2	Z20171	RETAINER	2		X X	
3	Z20169	BRACKET	2		X X	
4	Z20170	STRAP	2		X X	
5	16M2550	RIVET	6		X X	8 X 28 MM
6	AZ25769	HOLDER	2		X X	(SUB FOR AZ10085)
7	P42100	BUSHING	2		X X	
8	Z36806	RETAINER	2		X X	(SUB FOR Z20174)
9	19M7288	CAP SCREW	4		X X	M8 X 30
10	P47232	PRESSED FLANGED HOUSING	8		X X	
11	JD39102	BALL BEARING	2		X X	
12	19M7139	CAP SCREW	6		X X	M8 X 20
13	12M7008	LOCK WASHER	16		X X	8 MM
14	14M7029	NUT	16		X X	M8
15	Z20166	SHAFT	1		X X	
16	26M6733	SHAFT KEY	2		X X	8 X 13 MM
17	Z20168	BRACKET	2		X X	
18	JD39105	BALL BEARING	2		X X	
19	AZ10044	ECCENTRIC LOCKING COLLAR	4		X X	ASSY, INCL KEY 20
20	AZ19843	SET SCREW	4		X X	
21	Z11376	CRANK	1		X X	LH
22	19M7167	CAP SCREW	4		X X	M10 X 25
23	19M7287	CAP SCREW	2		X X	M10 X 50
24	12M7013	LOCK WASHER	6		X X	10 MM
25	14M7140	NUT	6		X X	M10
26	03M7054	BOLT	6		X X	M8 X 12

(1H02) SHORT DIVIDER AND LOOP DIVIDER
DIVISEUR COURT ET DIVISEUR EN BOUCLE
KURZER HALMTEILER UND BOGENHALMTEILER
SPARTICAMPI CORTO E CON ARCO
DIVISOR LATERAL CORTO Y ARCO DIVISOR
KORT OCH OGLAD STRASKILJARE

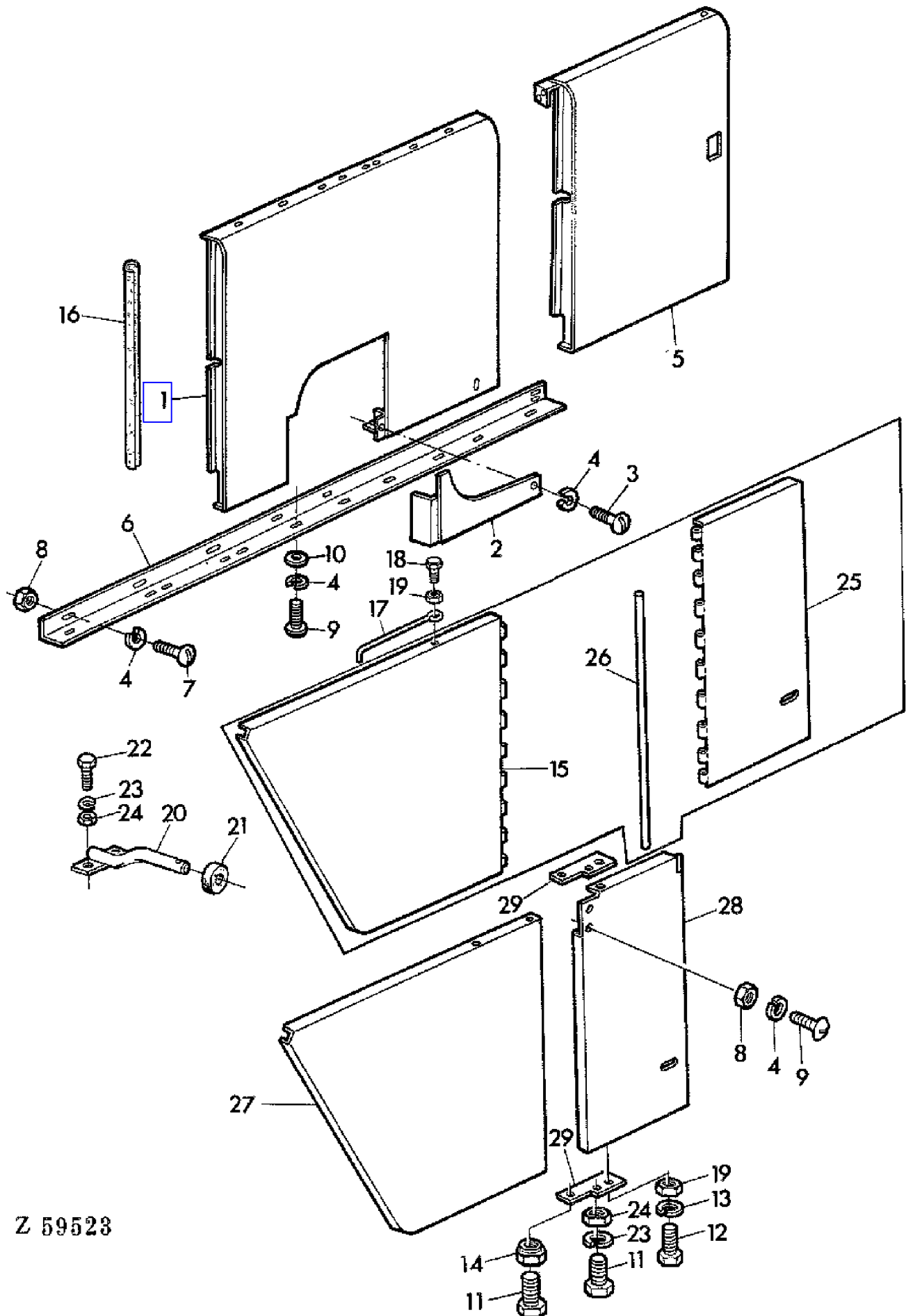


Z 33159

(1H02) SHORT DIVIDER AND LOOP DIVIDER
 DIVISEUR COURT ET DIVISEUR EN BOUCLE
 KURZER HALMTEILER UND BOGENHALMTEILER
 SPARTICAMPI CORTO E CON ARCO
 DIVISOR LATERAL CORTO Y ARCO DIVISOR
 KORT OCH OGLAD STRASKILJARE

KEY	PART NO.	PART NAME	QTY	SERIAL NO.	9 9 3 4 0 0	REMARKS
1	AZ14755	GATHERER POINT	2		X	
2	AZ14752	CROP DIVIDER	1		X	RH
	AZ14751	CROP DIVIDER	1		X	LH
3	Z25762	ANGLE	4		X	
4	Z25765	ADJUSTER	2		X	
5	AZ15746	SHEET	1		X	RH
6	AZ15745	SHEET	1		X	LH
7	21M7089	SCREW	4		X	M8 X 20
	21M7081	SCREW	4		X	M8 X 15
8	L18950	CLIP	2		X	
9	03M7121	BOLT	2		X	M12 X 140
10	19M7377	CAP SCREW	2		X	M8 X 28, RH
11	19M7169	CAP SCREW	2		X	M10 X 35, LH
12	11M7016	COTTER PIN	2		X	3 X 30 MM
	19M7139	CAP SCREW	4		X	M8 X 20
13	12M7008	LOCK WASHER	22		X	
14	Z26309	PLATE	2		X	
15	Z27246	DEFLECTOR	2		X	
16	03M7093	BOLT	4		X	M8 X 25
17	AZ15722	CROP DIVIDER	2		X	
18	Z26850	PLATE	2		X	
19	19M7322	CAP SCREW	4		X	M8 X 35
20	21M7093	SCREW	4		X	M10 X 30
21	21M7087	SCREW	4		X	M6 X 12
22	Z26262	PLATE	2		X	
23	14M7029	NUT	22		X	M8
24	14M7168	LOCK NUT	2		X	M12
25	14M7140	NUT	10		X	M10
26	12M7013	LOCK WASHER	10		X	10 MM
27	24M7036	WASHER	6		X	9 MM
28	24M7040	WASHER	8		X	11 MM
29	24M7088	WASHER	4		X	M6,6
30	14M7027	NUT	4		X	M6

(2G15) SIDE COVER, LEFT-HAND
TOLE LATÉRALE GAUCHE
SEITENVERKLEIDUNG LINKS
PROTEZIONE LATÉRALE SINISTRA
TAPA LATERAL-LADO IZQUIERDO
SIDOSKYDD, VAENSTER

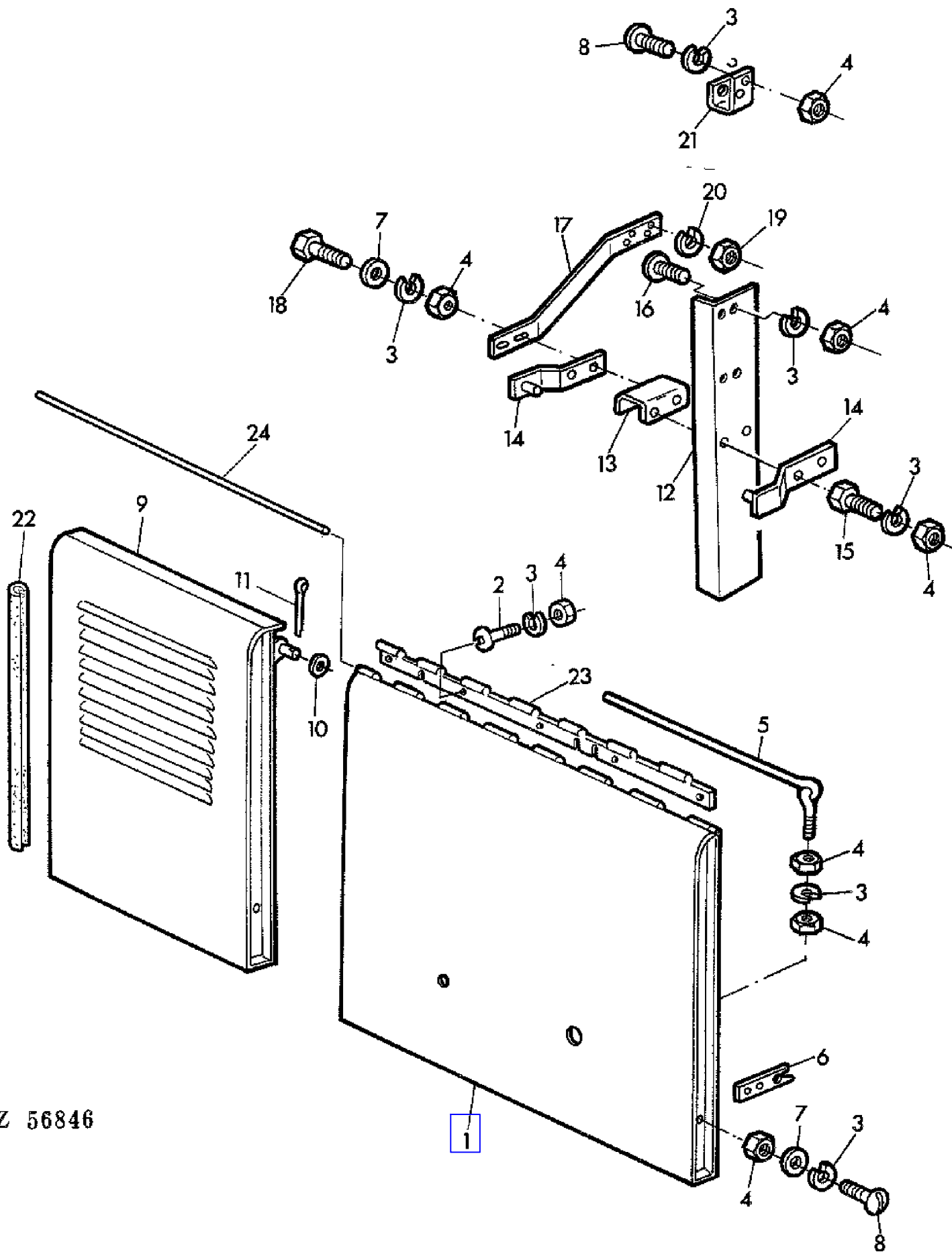


Z 59523

(2G15) SIDE COVER, LEFT-HAND
TOLE LATÉRALE GAUCHE
SEITENVERKLEIDUNG LINKS
PROTEZIONE LATÉRALE SINISTRA
TAPA LATERAL-LADO IZQUIERDO
SIDOSKYDD, VAENSTER

KEY	PART NO.	PART NAME	QTY	SERIAL NO.	9 9 3 4 0 0	REMARKS
1	AZ21555	SHIELD	1		X X	(ORD W/ Z32678) (SUB FOR AZ19788)
2	AZ19784	COVER	1		X X	
3	21M7083	SCREW	1		X X	M6 X 10
4	12M7012	LOCK WASHER	20		X X	6 MM
5	AZ19779	SHIELD	1		X X	
6	Z31167	BRACE	1		X X	
7	21M7087	SCREW	10		X X	M6 X 12
8	14M7027	NUT	12		X X	M6
9	21M7031	SCREW	9		X X	M6 X 15
10	Z26250	WASHER	7		X X	6,5 MM
11	19M7166	CAP SCREW	4		X	M10 X 20
12	19M7139	CAP SCREW	2		X	M8 X 20
13	12M7008	LOCK WASHER	2		X	8 MM
14	14M7167	LOCK NUT	2		X	M10
15	AZ12001	SHIELD	1	- 941030	X	
16	Z31169	GUARD	2		X X	
17	Z31813	HOOK	1		X	
18	19M7163	CAP SCREW	1		X	M8 X 25
19	14M7029	NUT	1		X	M8
20	AZ12005	SUPPORT	1	- 941030	X	
	AZ22388	SUPPORT	1	941031 -	X	
21	Z21921	STOP	1		X X	
22	19M7167	CAP SCREW	2		X X	M10 X 25
23	12M7013	LOCK WASHER	4		X X	10 MM
24	14M7140	NUT	4		X X	M10
25	AZ12002	SHIELD	1	- 941030	X	
26	Z21926	ROD	1	- 941030	X	
27	AZ22459	PANEL	1	941031 -	X	
28	AZ21948	PANEL	1	941031 -	X	
29	Z32817	HOLDER	2	941031 -	X	

(2G13) SIDE COVER, RIGTH-HAND
TOLE LATérale DROITE
SEITENVERKLEIDUNG, RECHTS
PROTEZIONE LATérale DESTRA
TAPA LATERAL - LADO DERECHO
SIDOSKYDD, HOEGER



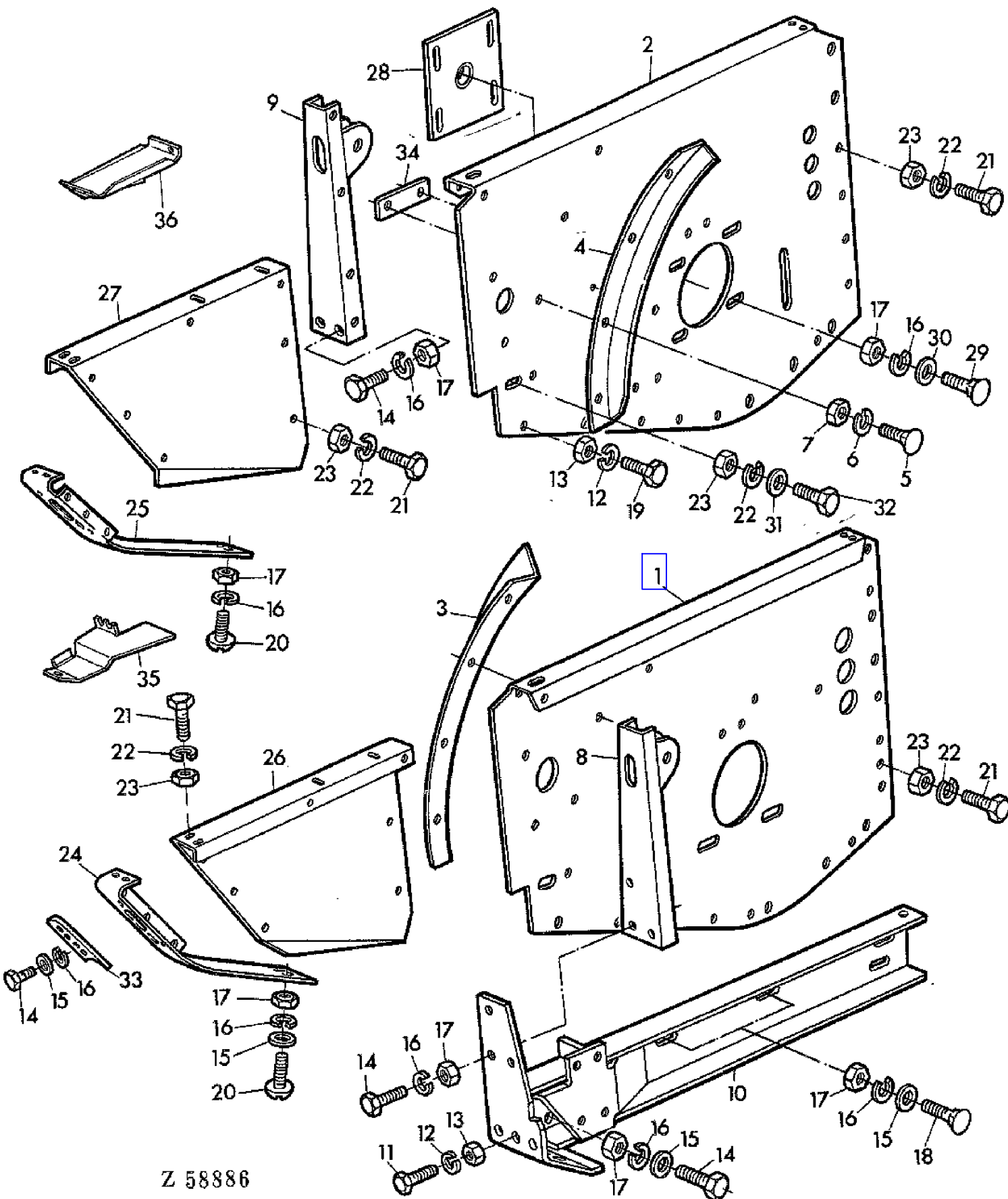
Z 56846

1

(2G13) SIDE COVER, RIGTH-HAND
 TOLE LATÉRALE DROITE
 SEITENVERKLEIDUNG, RECHTS
 PROTEZIONE LATÉRALE DESTRA
 TAPA LATERAL - LADO DERECHO
 SIDOSKYDD, HOEGER

KEY	PART NO.	PART NAME	QTY	SERIAL NO.	9 9 3 4 0 0	REMARKS
1	AZ19781	SHIELD	1		X X	
2	21M7083	SCREW	5		X X	M6 X 10
3	12M7012	LOCK WASHER	23		X X	6 MM
4	14M7027	NUT	25		X X	M6
5	AZ18144	ROD	2		X X	
6	Z24277	HOLDER	1		X X	
7	Z26250	WASHER	10		X X	6,5 MM
8	21M7087	SCREW	10		X X	M6 X 12
9	AZ19782	SHIELD	1		X X	
10	24M7028	WASHER	2		X X	10,5 MM
11	11M7013	COTTER PIN	2		X X	3 X 20 MM
12	Z31168	ANGLE	1		X X	
13	Z31564	CLEVIS	1		X X	
14	AZ20257	HOLDER	2		X X	
15	19M7159	CAP SCREW	2		X X	M6 X 15
16	21M7087	SCREW	2		X X	M6 X 12
17	Z31310	HOLDER	1		X X	
18	19M7077	CAP SCREW	2		X X	M6 X 20
19	14M7029	NUT	4		X X	M8
20	12M7008	LOCK WASHER	4		X X	8 MM
21	Z32507	HOLDER	1		X X	
22	Z31169	GUARD	2		X X	
23	Z32308	HINGE	1		X X	
24	Z31374	PIN	1		X X	

(1H20) SIDE PANELS
PANNEAUX LATERAUX
SEITENWAENDE
FIANCATE
PANELES LATERALES
SIDOVAEGGAR

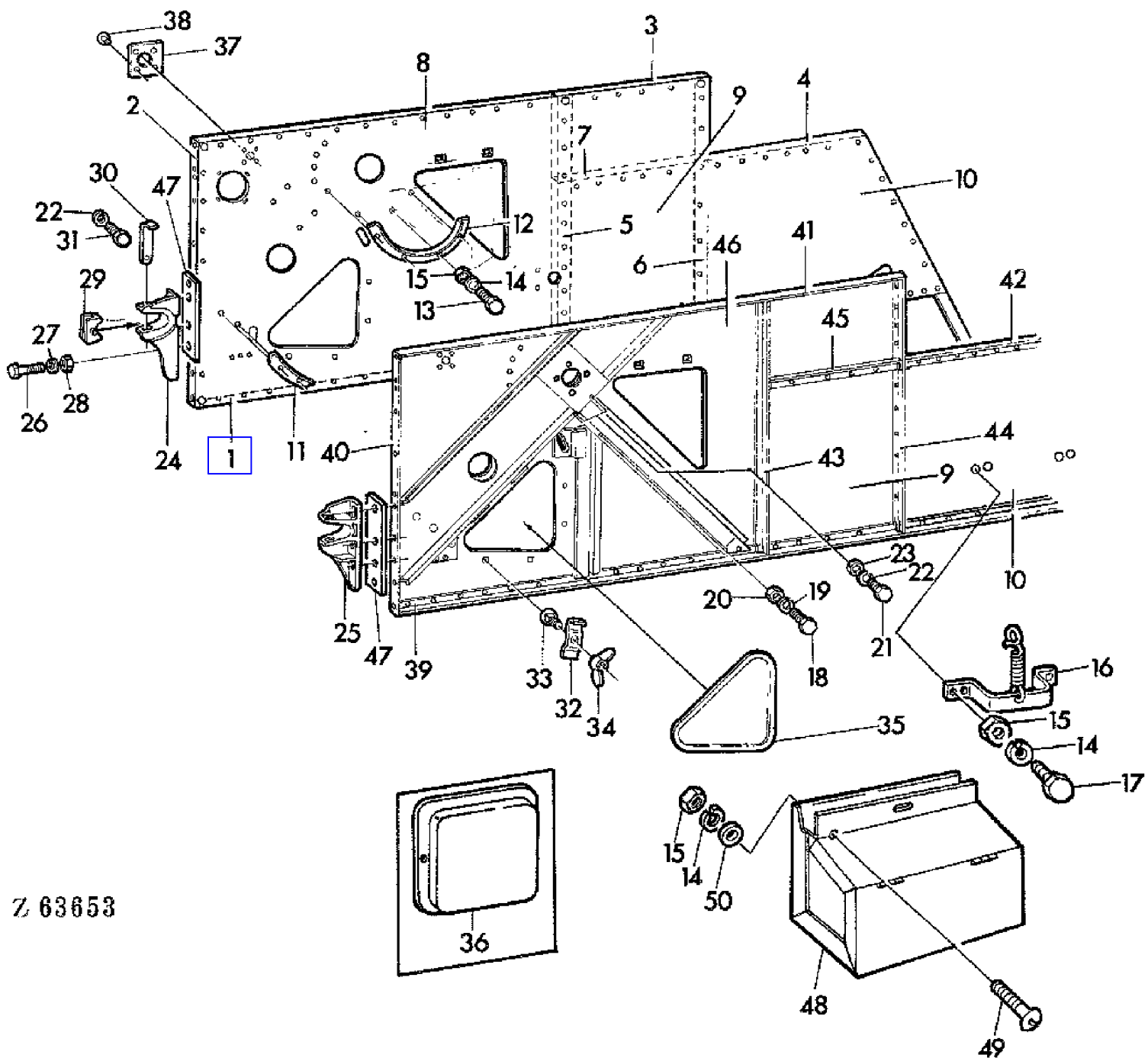


Z 58886

(1H20) SIDE PANELS
PANNEAUX LATERAUX
SEITENWAENDE
FIANCATE
PANELES LATERALES
SIDOVAEGGAR

KEY	PART NO.	PART NAME	QTY	SERIAL NO.	9 9 3 4 0 0	REMARKS
1	Z26496	SIDE WALL	1		X	LH
2	Z26495	SIDE WALL	1		X	RH
3	Z20383	DEFLECTOR	1		X	LH
4	Z20384	DEFLECTOR	1		X	RH
5	21M7087	SCREW	8		X	M6 X 12
6	12M7012	LOCK WASHER	8		X	6 MM
7	14M7027	NUT	8		X	M6
8	AZ10204	BRACE	1		X	LH
9	AZ10205	BRACE	1		X	RH
10	AZ14730	BRACKET	1		X	
11	19M7285	CAP SCREW	3		X	M12 X 30
12	12M7014	LOCK WASHER	6		X	12 MM
13	14M7031	NUT	6		X	M12
14	19M7166	CAP SCREW	11		X	M10 X 20
15	24M7040	WASHER	11		X	11 MM
16	12M7013	LOCK WASHER	22		X	10 MM
17	14M7140	NUT	20		X	M10
18	03M7017	BOLT	2		X	M10 X 25
19	19M7268	CAP SCREW	3		X	M12 X 25
20	21M7190	SCREW	5		X	M10 X 25
21	19M7162	CAP SCREW	34		X	M8 X 15
22	12M7008	LOCK WASHER	36		X	8 MM
23	14M7029	NUT	13		X	M8
24	Z21497	LANDSIDE HEEL	1		X	LH
25	Z21498	LANDSIDE HEEL	1		X	RH
26	Z27412	SIDE WALL	1		X	LH
27	Z27411	SIDE WALL	1		X	RH
28	AZ14716	ADJUSTER	1		X	
29	03M7084	BOLT	4		X	M10 X 25
30	24M7042	WASHER	4		X	11,5 MM
31	Z26240	WASHER	2		X	(SUB FOR L19388)
32	19M7163	CAP SCREW	2		X	M8 X 25
33	Z25953	PLATE	1		X	
34	Z26231	PLATE	1		X	
35	AZ22397	GUARD	1		X	LH
36	AZ22401	GUARD	1		X	RH

(2F11) SIDE PANELS
PANNEAUX LATERAUX
SEITENWAENDE
FIANCATE
PANELES LATERALES
SIDOVAEGGAR



Z 63653

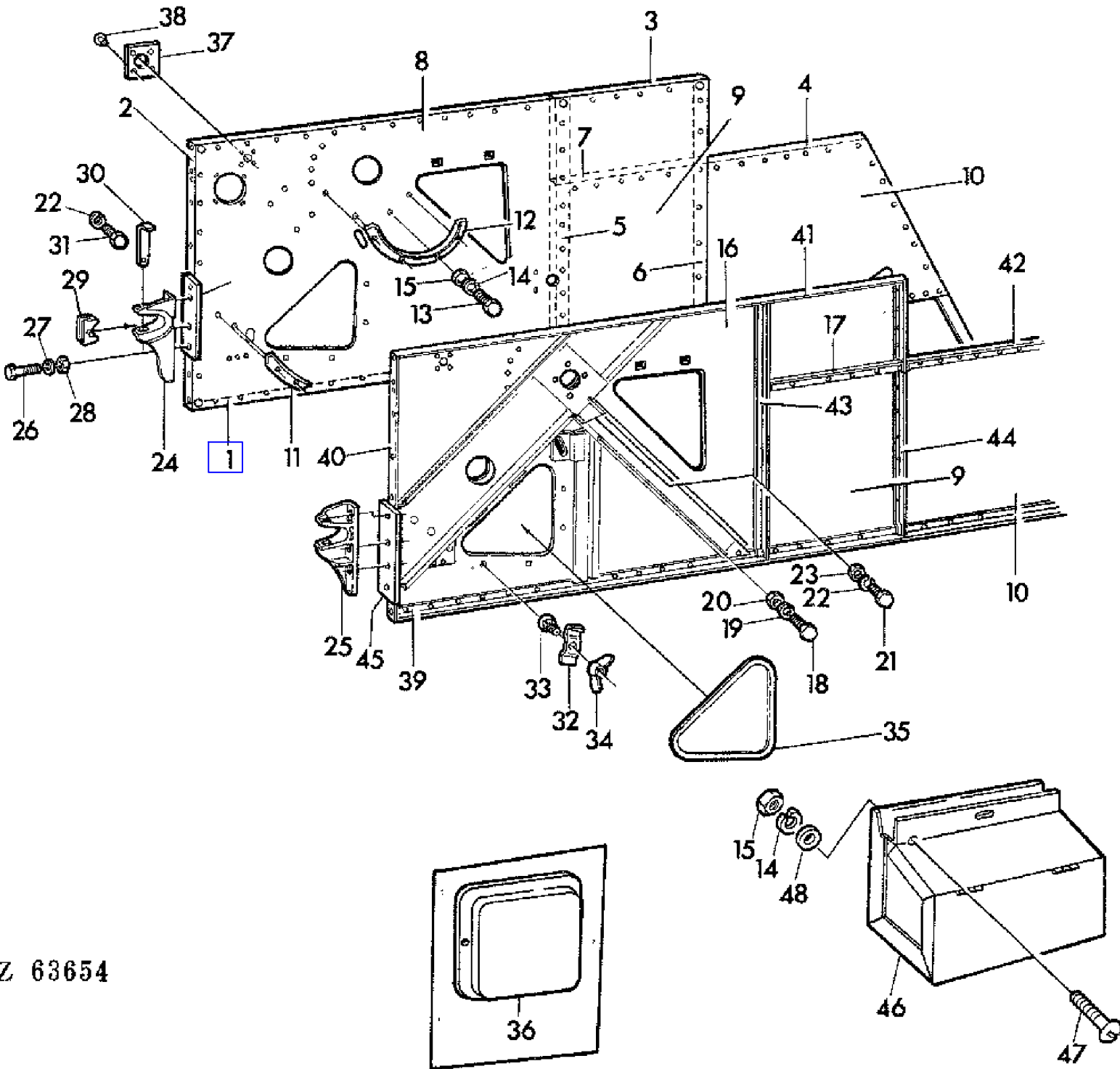
(2F11) SIDE PANELS
PANNEAUX LATERAUX
SEITENWAENDE
FIANCATE
PANELES LATERALES
SIDOVAEGGAR

KEY	PART NO.	PART NAME	QTY	SERIAL NO.	9 9 3 4 0 0	REMARKS
1	Z24931	ANGLE	1		X	RH, LOW
2	Z24935	ANGLE	1		X	RH, FRONT
3	Z20876	ANGLE	1		X	RH, UP
4	AZ18433	FRAME	1		X	RH, REAR
5	Z20880	ANGLE	1		X	RH
6	Z20882	ANGLE	1		X	RH
7	AZ10458	FRAME	1		X	RH
8	AZ23999	SIDE WALL	1		X	RH, FRONT (ORD W/ Z20917) (SUB FOR AZ18627)
9	Z20906	SIDE WALL	2		X	RH, LH
10	Z20908	SIDE WALL	2		X	RH, LH, REAR
11	Z20912	DEFLECTOR	2		X	
12	Z20913	STRIPPER	2		X	
13	19M7159	CAP SCREW	12		X	M6 X 15
14	12M7012	LOCK WASHER	14		X	6 MM
15	14M7027	NUT	14		X	M6
16	AZ17533	HOLDER	1		X	
17	19M7286	CAP SCREW	4		X	M6 X 25
18	19M7166	CAP SCREW	2		X	M10 X 20
19	12M7013	LOCK WASHER	2		X	10 MM
20	14M7140	NUT	2		X	M10
21	19M7162	CAP SCREW	4		X	M8 X 15
22	12M7008	LOCK WASHER	6		X	8 MM
23	14M7029	NUT	4		X	M8
24	Z10057	BRACKET	1		X	RH
25	Z10139	BRACKET	1		X	LH
26	19M7409	CAP SCREW	6		X	M16 X 50
27	24M7113	WASHER	6		X	17 MM
28	14M7170	LOCK NUT	6		X	16 MM
29	H10835	RETAINER	2		X	
30	Z20916	LATCH	2		X	
31	19M7297	CAP SCREW	2		X	M8 X 12
32	Z20367	CLAMP	14		X	
33	03M7054	BOLT	14		X	M8 X 20
34	14M7020	WING NUT	14		X	M8
35	Z20917	COVER	4		X	
36	Z20713	COVER	2		X	AR
37	Z20911	STRAP	2		X	
38	16M2524	RIVET	8		X	6 X 18 MM
39	Z24932	ANGLE	1		X	LH, LOW
40	Z24936	ANGLE	1		X	LH, FRONT
41	Z20921	ANGLE	1		X	LH, UP
42	AZ18434	FRAME	1		X	LH, REAR
43	Z20925	ANGLE	1		X	LH

(2F11) SIDE PANELS
PANNEAUX LATERAUX
SEITENWAENDE
FIANCATE
PANELES LATERALES
SIDOVAEGGAR

KEY	PART NO.	PART NAME	QTY	SERIAL NO.	99 34 00	REMARKS
44	Z20927	ANGLE	1		X	LH
45	AZ10469	FRAME	1		X	LH
46	AZ24000	SIDE WALL	1		X	LH, FRONT (ORD W/ Z20917) (SUB FOR AZ19446)
47	Z22038	PLATE	2		X	
48	AZ12220	TOOLBOX	1		X	
49	21M7087	SCREW	2		X	M6 X 12
50	24M7088	WASHER	2		X	6,6 MM

(2F13) SIDE PANELS
PANNEAUX LATERAUX
SEITENWAENDE
FIANCATE
PANELES LATERALES
SIDOVAEGGAR



Z 63654

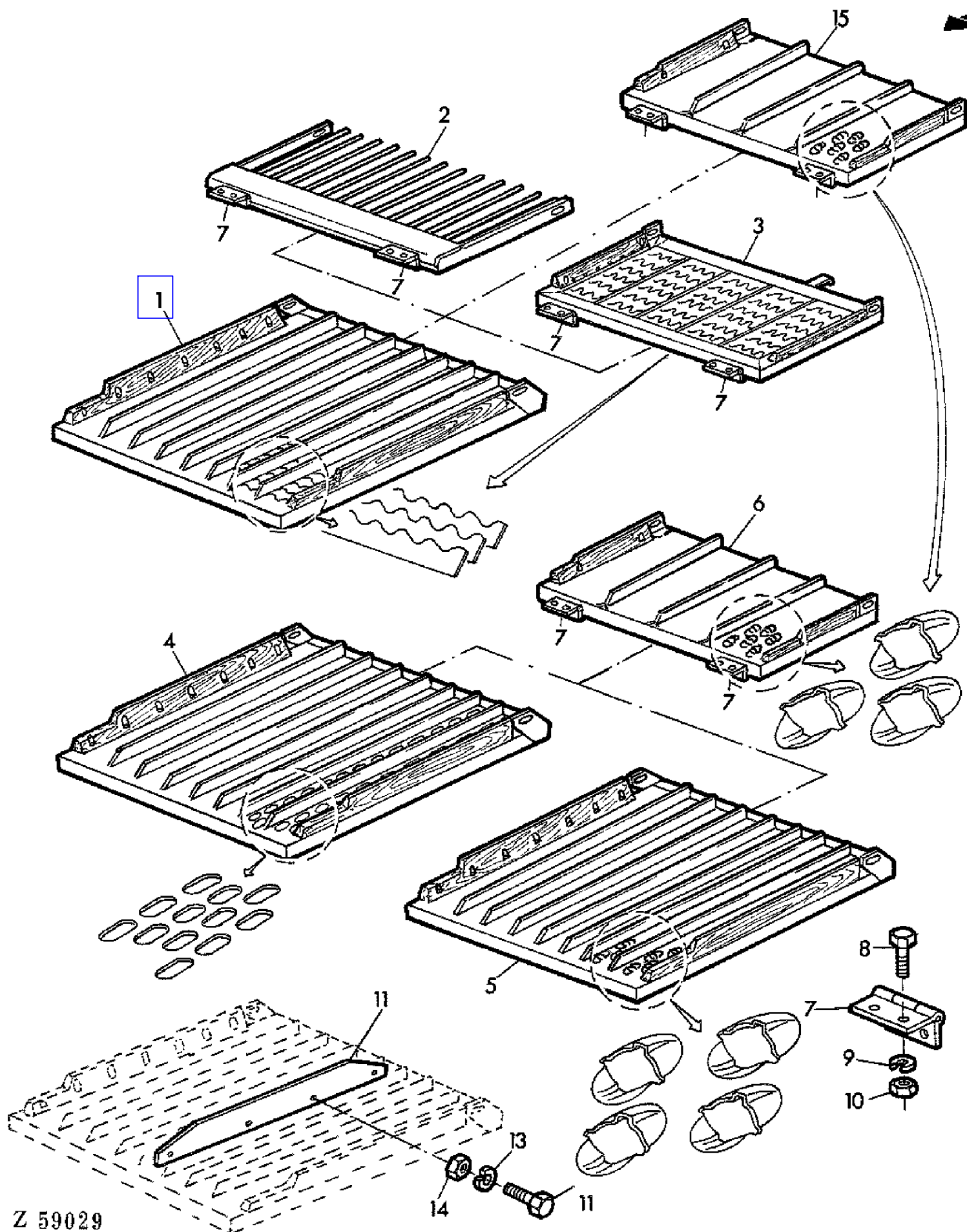
(2F13) SIDE PANELS
PANNEAUX LATERAUX
SEITENWAENDE
FIANCATE
PANELES LATERALES
SIDOVAEGGAR

KEY	PART NO.	PART NAME	QTY	SERIAL NO.	9 3 0	4 0	REMARKS
1	Z24933	ANGLE	1		X		RH, LOW
2	Z24935	ANGLE	1		X		RH, FRONT
3	Z20876	ANGLE	1		X		RH, UP
4	AZ18439	ANGLE	1		X		RH, REAR
5	Z20880	ANGLE	1		X		RH
6	Z20882	ANGLE	1		X		RH
7	AZ10458	FRAME	1		X		
8	AZ23999	SIDE WALL	1		X		RH, FRONT (ORD W/ Z20917) (SUB FOR AZ18627)
9	Z33832	SIDE WALL	2		X		RH, LH (SUB FOR Z20907)
10	Z20909	SIDE WALL	2		X		RH, LH, REAR
11	Z20912	DEFLECTOR	2		X		
12	Z20913	STRIPPER	2		X		
13	19M7159	CAP SCREW	12		X		M6 X 15
14	12M7012	LOCK WASHER	14		X		6 MM
15	14M7027	NUT	14		X		M6
16	AZ24000	SIDE WALL	1		X		LH, FRONT (ORD W/ Z20917) (SUB FOR AZ19446)
17	AZ10469	FRAME	1		X		LH
18	19M7166	CAP SCREW	2		X		M10 X 20
19	12M7013	LOCK WASHER	2		X		10 MM
20	14M7140	NUT	2		X		M10
21	19M7162	CAP SCREW	4		X		M8 X 15
22	12M7008	LOCK WASHER	6		X		8 MM
23	14M7029	NUT	4		X		M8
24	Z10814	HANGER	1		X		RH (SUB FOR Z10057)
25	Z10813	HANGER	1		X		LH (SUB FOR Z10139)
26	19M7409	CAP SCREW	6		X		M16 X 50
27	24M7113	WASHER	6		X		17 MM
28	14M7170	LOCK NUT	6		X		M16
29	H10835	RETAINER	2		X		
30	Z20916	LATCH	2		X		
31	19M7297	CAP SCREW	2		X		M8 X 12
32	Z20367	CLAMP	14		X		
33	03M7054	BOLT	14		X		M8 X 20
34	14M7020	WING NUT	14		X		M8
35	Z20917	COVER	4		X		
36	Z20713	COVER	2		X		AR
37	Z20911	STRAP	2		X		
38	16M2524	RIVET	8		X		6 X 18 MM
39	Z24934	ANGLE	1		X		LH, LOW
40	Z24936	ANGLE	1		X		LH, FRONT
41	Z20921	ANGLE	1		X		LH, UP
42	AZ18438	ANGLE	1		X		LH, REAR

(2F13) SIDE PANELS
PANNEAUX LATERAUX
SEITENWAENDE
FIANCATE
PANELES LATERALES
SIDOVAEGGAR

KEY	PART NO.	PART NAME	QTY	SERIAL NO.	9 9 3 4 0 0	REMARKS
43	Z20925	ANGLE	1		X	LH
44	Z20927	ANGLE	1		X	LH
45	Z22038	PLATE	AR		X	
46	AZ12220	TOOLBOX	1		X	
47	21M7087	SCREW	2		X	M6 X 12
48	24M7088	WASHER	2		X	6,6 MM

(2D13) SIEVES
GRILLES
KURZSTROHSIEBE
CRIVELLI MEZZA PAGLIA
CRYBAS
SALL

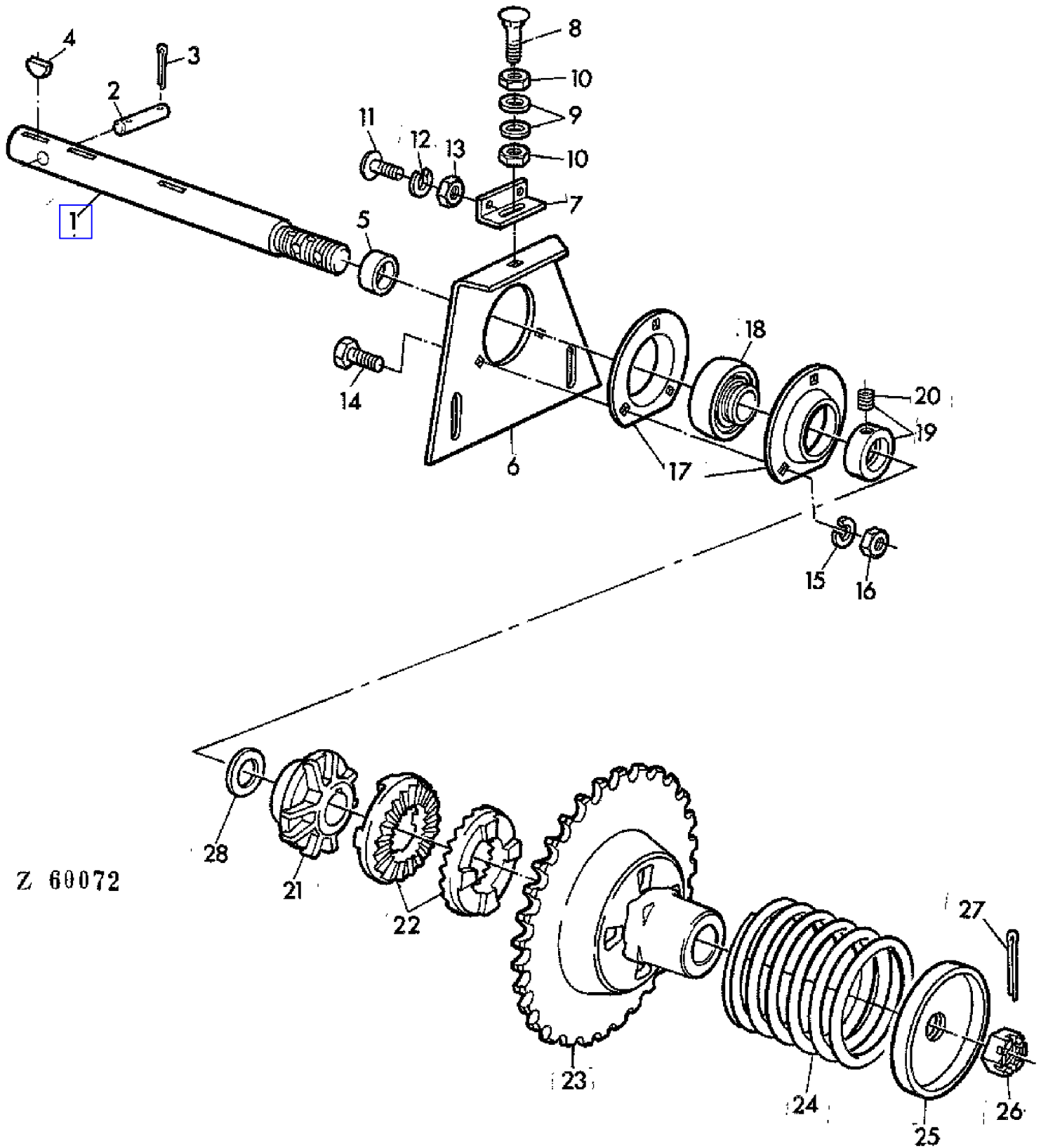


Z 59029

(2D13) SIEVES
 GRILLES
 KURZSTROHSIEBE
 CRIVELLI MEZZA PAGLIA
 CRYBAS
 SALL

KEY	PART NO.	PART NAME	QTY	SERIAL NO.	9 9 3 4 0 0	REMARKS
1	AZ10138	CHAFFER	1		X	
	AZ10140	CHAFFER	1		X	
2	AZ10135	EXTENSION	1		X	
	AZ14286	EXTENSION	1		X	
3	AZ10141	EXTENSION	1		X X	
4	AZ17165	CHAFFER	1		X	
	AZ15311	CHAFFER	1		X	
5	AZ17163	CHAFFER	1		X	
	AZ16450	CHAFFER	1		X	
6	AZ17162	EXTENSION	1		X	
	AZ15312	EXTENSION	1		X	
7	Z28585	HINGE	AR		X X	
8	19M6614	CAP SCREW	AR		X X	M6 X 12
9	12M7012	LOCK WASHER	AR		X X	6 MM
10	14M7027	NUT	AR		X X	M6
11	Z20286	GUIDE	3		X	
	Z39063	GUIDE	3		X	(SUB FOR Z20287)
12	21M7034	SCREW	15		X X	M5 X 12
13	12M7011	LOCK WASHER	15		X X	5 MM
14	14M7028	NUT	15		X X	M5
15	AZ13642	EXTENSION	1		X	

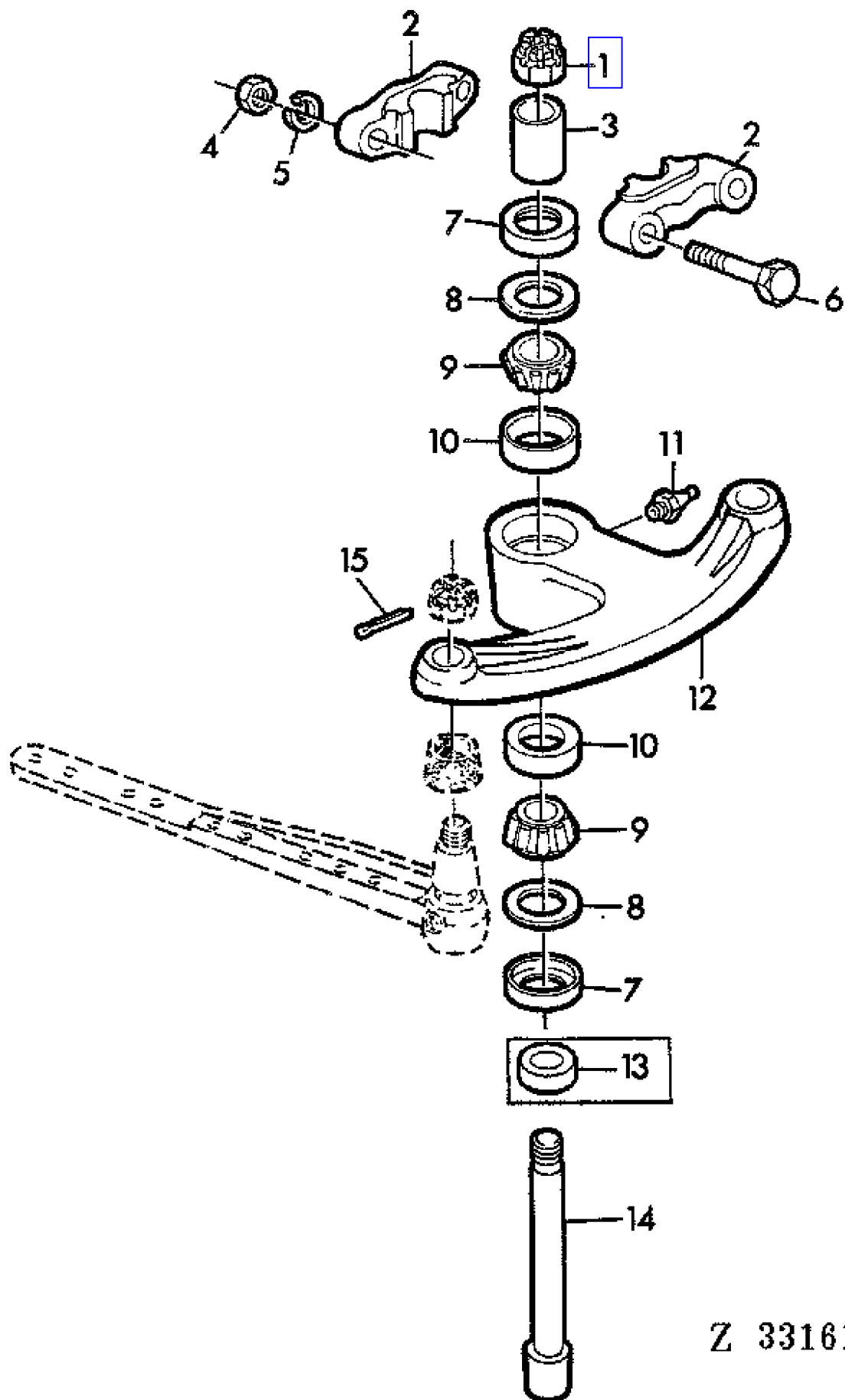
(1122) SLIP CLUTCH FOR CUTTING PLATFORM ANGER
LIMITEUR DE COUPLE (VIS D'ALIMENTATION)
RUTSCHKUPPLUNG (EINZUGSSCHNECKE)
FRIZIONE DI SICUREZZA (COCLEE DI PLATTAFORME)
EMBRAGUE DESLIZANTE (SINFIN DE ALIMENTATION)
SLIRKOPPLING (INMATNINGSSKRUV)



(1122) SLIP CLUTCH FOR CUTTING PLATFORM ANGER
 LIMITEUR DE COUPLE (VIS D'ALIMENTATION)
 RUTSCHKUPPLUNG (EINZUGSSCHNECKE)
 FRIZIONE DI SICUREZZA (COCLEE DI PLATTAFORME)
 EMBRAGUE DESLIZANTE (SINFIN DE ALIMENTATION)
 SLIRKOPPLING (INMATNINGSSKRUV)

KEY	PART NO.	PART NAME	QTY	SERIAL NO.	9 9 3 4 0 0	REMARKS
1	Z21484	SHAFT	1		X	
2	44M6728	PIN	1		X	10 X 65 X 55 MM
3	11M7011	COTTER PIN	2		X	3 X 15 MM
4	46M4228	GATHERING NUMBER	3		X	8 X 11 MM
5	Z21499	SPACER	1		X	
6	Z25699	ADJUSTER	1		X	
7	Z25698	HOLDER	1		X	
8	03M7123	BOLT	1		X	M10 X 110
9	24M7040	WASHER	2		X	11 MM
10	14M7140	NUT	2		X	M10
11	21M7160	SCREW	2		X	M8 X 18
12	12M7008	LOCK WASHER	2		X	8 MM
13	14M7029	NUT	2		X	M8
14	19M7166	CAP SCREW	3		X	M10 X 20
15	12M7013	LOCK WASHER	3		X	10 MM
16	14M7140	NUT	3		X	M10
17	Z38395	PRESSED FLANGED HOUSING	2		X	(SUB FOR P45502)
18	JD39103	BALL BEARING	1		X	
19	AZ10045	ECCENTRIC LOCKING COLLAR	1		X	
20	AZ19844	SET SCREW	1		X	KIT
21	Z10067	DRIVER	1		X	
22	Z699H	SLIP CLUTCH	2		X	
23	Z10401	CHAIN SPROCKET	1		X	Z = 40
	Z10400	CHAIN SPROCKET	1		X	Z = 52
24	Z26525	SPRING	1		X	
25	AZ16277	THRUST WASHER	1		X	
26	14M7189	NUT	1		X	M24
27	11M7039	COTTER PIN	1		X	6 X 50 MM
28	Z26248	WASHER	AR	XXXX -	X	30,5 MM (SUB FOR L18819)

(1H08) SPLIT BELL CRANK-KNIFE DRIVE
LEVIER-ENTRAINEMENT PAR COUPEAU
HEBEL-MESSERANTRIEB
COMANDO BARRA DI TAGLIO-LEVA A SQUADRA DIVISA
PALANCAS-MANDO DE LAS CUCHILLAS
KNIVDRIVNING-FASTKLAMMER

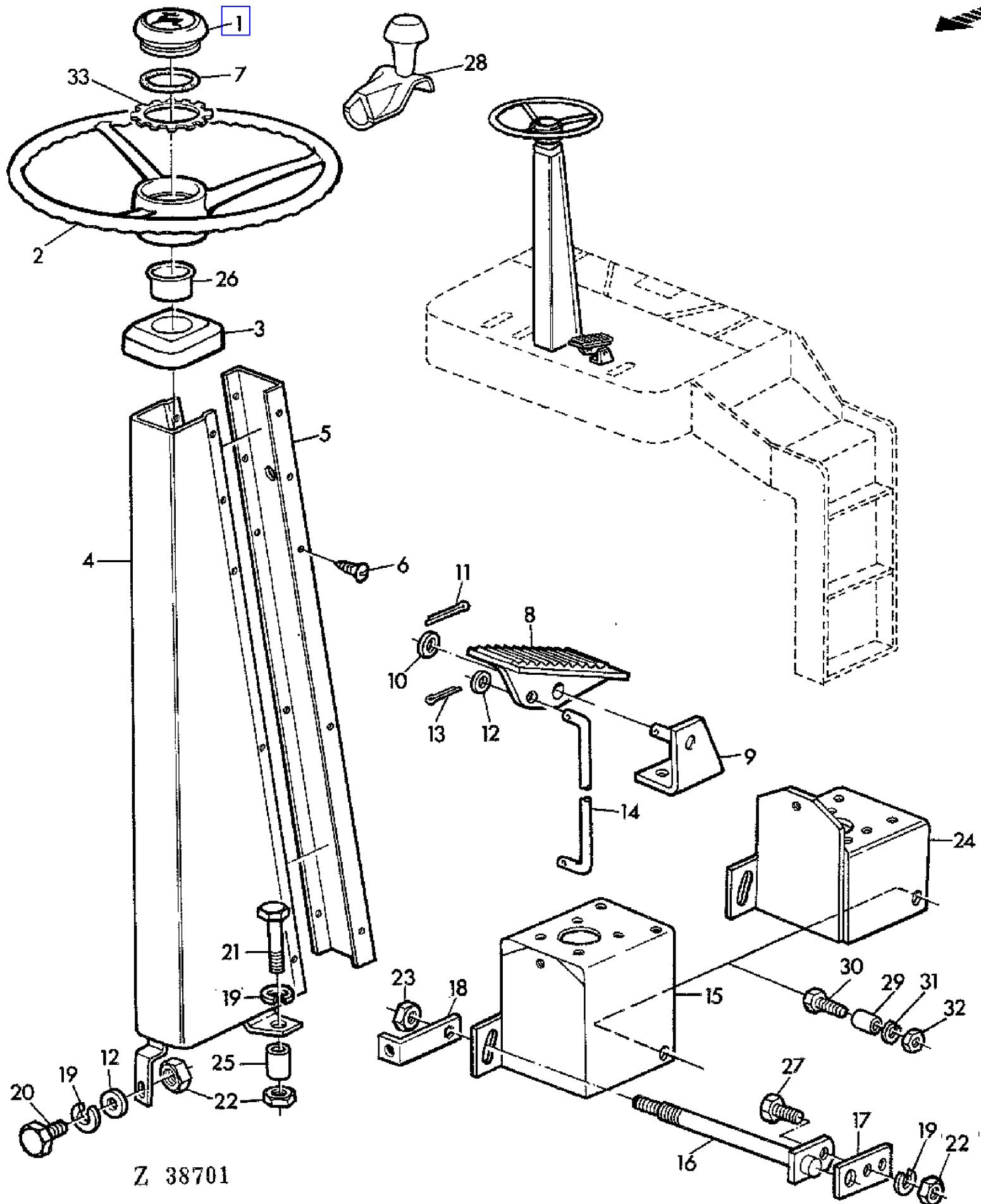


Z 33161

(1H08) SPLIT BELL CRANK-KNIFE DRIVE
LEVIER-ENTRAINEMENT PAR COUPEAU
HEBEL-MESSERANTRIEB
COMANDO BARRA DI TAGLIO-LEVA A SQUADRA DIVISA
PALANCAS-MANDO DE LAS CUCHILLAS
KNIVDRIVNING-FASTKLAMMER

KEY	PART NO.	PART NAME	QTY	SERIAL NO.	9 9 3 4 0 0	REMARKS
1	H34753	LOCK NUT	1		X	
2	Z11484	CLAMP	4		X	(SUB FOR Z10068)
3	H33462	SPACER	1		X	
4	14M7031	NUT	4		X	M12
5	12M7014	LOCK WASHER	4		X	12 MM
6	19M7289	CAP SCREW	4		X	M12 X 110
7	H33464	CAP	2		X	
8	H33463	WASHER	2		X	
9	JD8128	BEARING CONE	2		X	
10	JD7257	BEARING CUP	2		X	
11	JD7797	LUBRICATION FITTING	1		X	
12	Z10071	PITMAN ARM	1		X	
13	H35884	SPACER	1		X	AR
14	Z36073	SPINDLE	1		X	(SUB FOR H33461)
15	11M7014	COTTER PIN	1		X	3 X 25 MM

(1C05) STEERING COLUMN
COLONNE DE DIRECTION
LENKSAEULE
PIANTONE DI STERZO
COLUMN DE DIRECCION
RATTROER

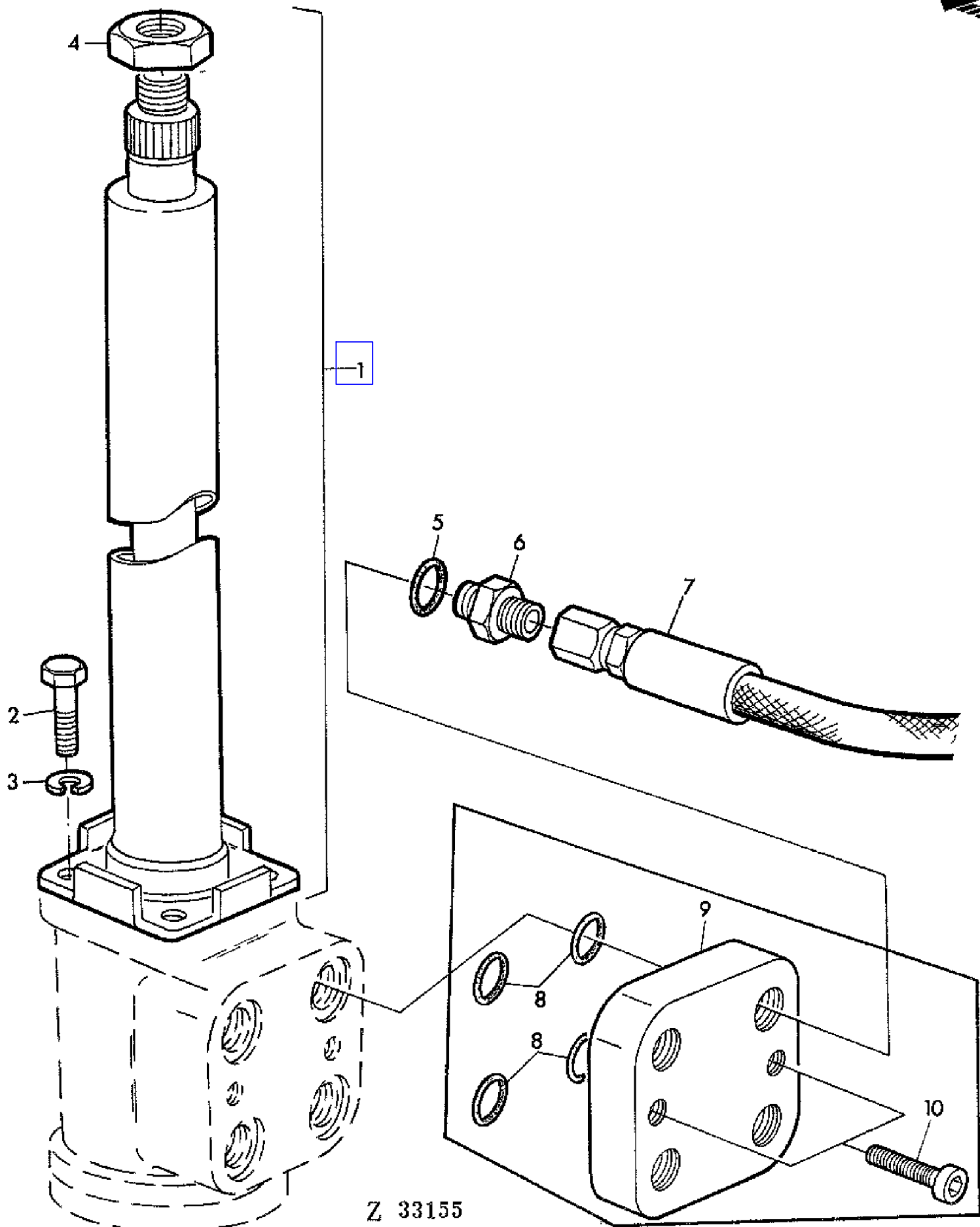


Z 38701

(1C05) STEERING COLUMN
COLONNE DE DIRECTION
LENKSAEULE
PIANTONE DI STERZO
COLUMNA DE DIRECCION
RATTROER

KEY	PART NO.	PART NAME	QTY	SERIAL NO.	9 9 3 4 0 0	REMARKS
1	AL36533	COVER	1		X X	(SUB FOR L29260, R47998)
2	AL28457	STEERING WHEEL	1		X X	(SUB FOR T22875)
3	Z29759	GUIDE	1	- 019970	X X	
4	Z38823	CAP	1	019971 -	X X	
4	AZ18428	SHEET	1		X X	FRONT
5	Z29866	SHEET	1		X X	REAR
6	37M7011	SCREW	10		X X	4,8 X 9,5 MM
7	B3690R	O-RING	1		X X	
8	Z10665	PEDAL	1		X X	
9	AZ18424	RETAINER	1		X X	
10	24M7085	WASHER	1		X X	15 MM
11	11M7020	COTTER PIN	1		X X	4 X 25 MM
12	24M7055	WASHER	2		X X	8,4 MM
13	11M7011	COTTER PIN	2		X X	3 X 15 MM
14	Z29753	BAIL	1		X X	
15	AZ18427	BRACKET	1		X X	ROSS
16	AZ18422	PIN	1		X X	
17	Z29752	PLATE	1		X X	
18	Z38106	LOCK PLATE	1		X X	(SUB FOR Z29750)
19	12M7008	LOCK WASHER	4		X X	8 MM
20	19M7139	CAP SCREW	1		X X	M8 X 20
21	19M7139	CAP SCREW	2		X X	M8 X 20 , ROSS
22	19M7184	CAP SCREW	2		X X	M8 X 55, DANFOSS
22	14M7029	NUT	4		X X	M8
23	14M7146	NUT	1		X X	M12
24	AZ18426	BRACKET	1		X X	DANFOSS
25	Z29745	SPACER	2		X X	DANFOSS
26	Z31192	BUSHING	1		X X	DANFOSS
27	19M7163	CAP SCREW	1		X X	M8 X 25
28	AZ24318	HANDLE	1		X X	
29	Z32649	SPACER	2		X X	ID = 12 MM (SUB FOR Z29757)
30	19M7167	CAP SCREW	2		X X	M10 X 25
31	12M7013	LOCK WASHER	2		X X	10 MM
32	14M7140	NUT	2		X X	M10
33	R71650	WASHER	1		X X	

(1F15) STEERING SHAFT (DANFOSS)
ARBRE DE DIRECTION (DANFOSS)
LENKWELLE (DANFOSS)
ALBERO DI STERZO (DANFOSS)
EJE DE DIRECCION (DANFOSS)
STYRPUMP AXEL (DANFOSS)



Z 33155

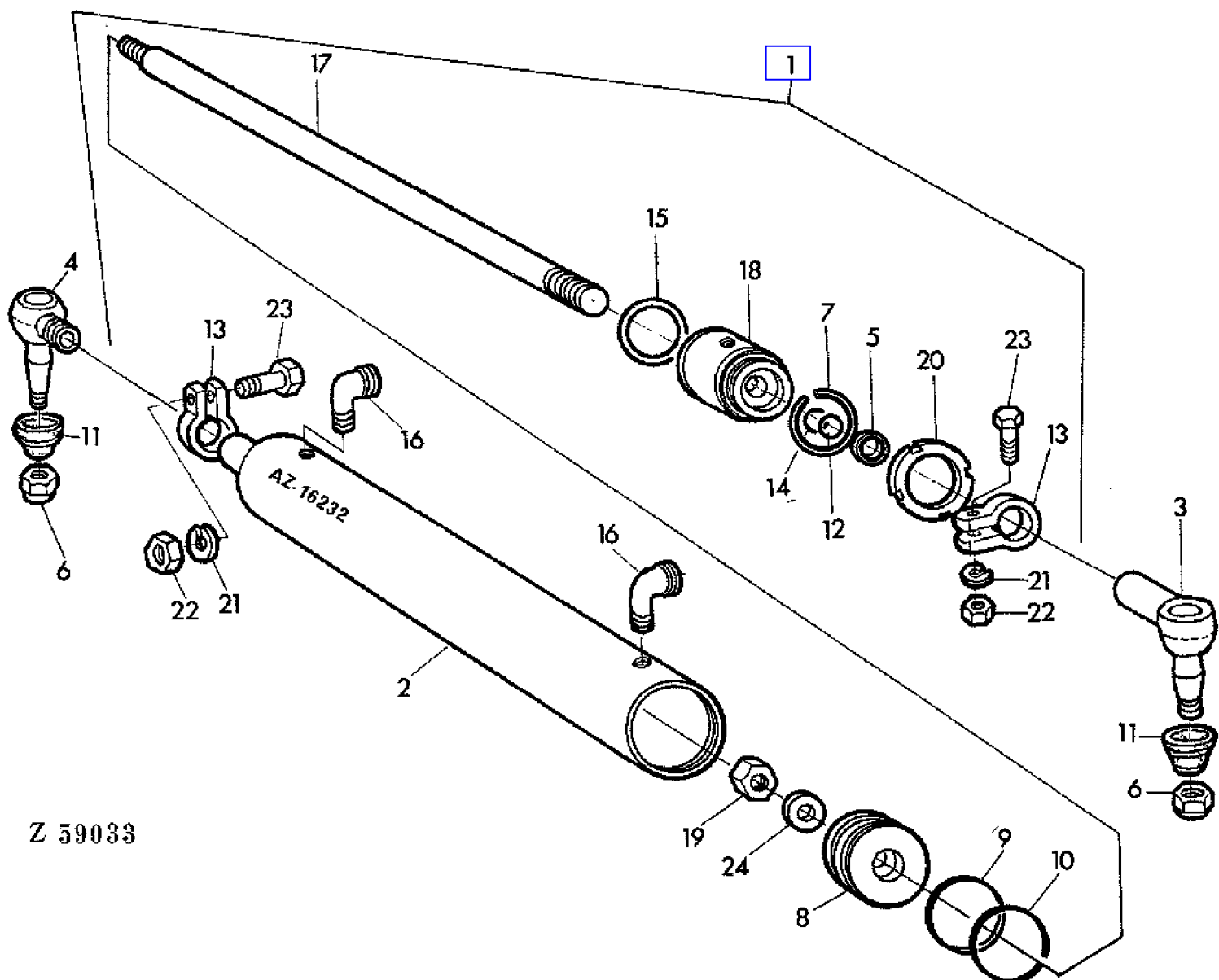
(1F15) STEERING SHAFT (DANFOSS)
ARBRE DE DIRECTION (DANFOSS)
LENKWELLE (DANFOSS)
ALBERO DI STERZO (DANFOSS)
EJE DE DIRECCION (DANFOSS)
STYRPUMP AXEL (DANFOSS)

KEY	PART NO.	PART NAME	QTY	SERIAL NO.		9 9 3 4 0 0	REMARKS
1	AZ20004	DRAG LINK	1		- 019970	X X	INCL KEY 4 (ORD AZ28129, Z38823)
	AZ28129	STEERING COLUMN	1	019971	-	X X	
2	19H1800	CAP SCREW	4			X X	3/8" X 1-1/2"
3	12M7013	LOCK WASHER	4			X X	10 MM
4	H35228	NUT	1			X X	(A) 3/16"
	14M7209	NUT	1			X X	(B) M18 X 1,5
5	R26375	O-RING	4			X X	(SUB FOR Z22678)
6	Z32970	ADAPTER	4			X X	(SUB FOR Z22108)
7	AZ29328	HYDRAULIC HOSE	4			X X	(SUB FOR AZ16228)
8	32240	O-RING	4			X X	AR
9	AZ24577	VALVE STACK	1			X X	AR, INCL KEYS 8,10
10	19M7661	SCREW	2			X X	AR,10X1X40MM

(A) (-930420) (B) (930421-)
 (-941030) (941031-)

.
. .
. .
. .

(1F05) STEERING-CYLINDER
VERINS DE DIRECTION
LENKZYLINDER
CILINDRO DI STERZO
CILINDRO DE LAS SERVODIRECCION HIDRAULICA
STYRCYLINDER

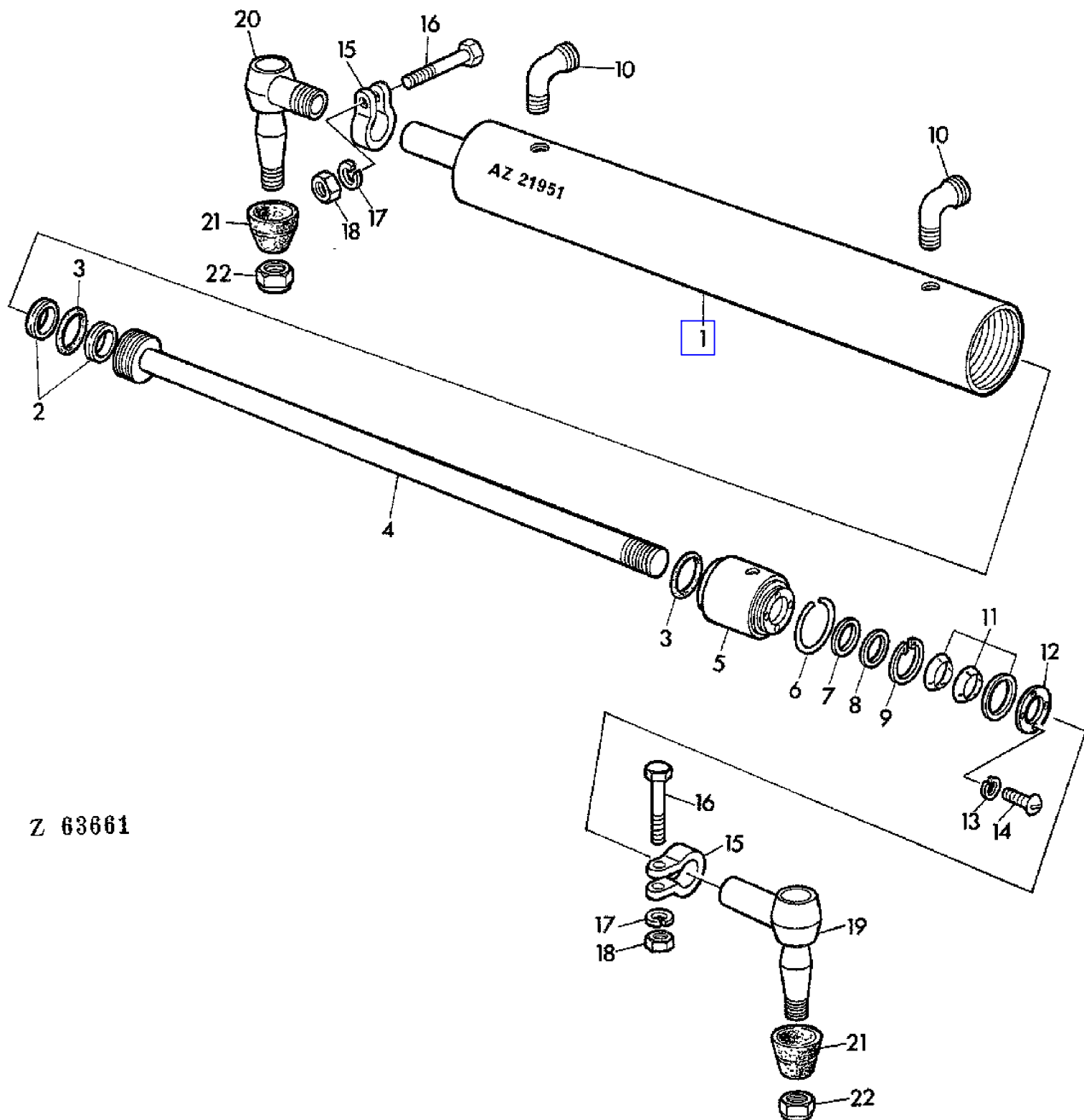


Z 59033

(1F05) STEERING-CYLINDER
VERINS DE DIRECTION
LENKZYLINDER
CILINDRO DI STERZO
CILINDRO DE LAS SERVODIRECCION HIDRAULICA
STYRCYLINDER

KEY	PART NO.	PART NAME	QTY	SERIAL NO.	9 9 3 4 0 0	REMARKS
1	AZ16232	HYDRAULIC CYLINDER	1		X X	ASSY, INCL KEYS 2,5,7-10,12-15,17-24
2	AZ16449	HYDRAULIC CYLINDER BARREL	1		X X	
3	AH75396	TIE ROD END	1		X X	INCL KEYS 11,13,21-23 (SUB FOR AH19765)
4	AH75397	TIE ROD END	1		X X	INCL KEY 11 (SUB FOR AH19766)
5	AM3426T	SEAL	1		X X	
6	CM10111	LOCK NUT	2		X X	
7	H31253	SNAP RING	1		X X	
8	H35241	PISTON	1		X X	
9	H35243	PISTON RING	2		X X	
10	H35244	RING	2		X X	
11	H35664	BOOT	2		X X	
12	H60330	BACK-UP RING	1		X X	
13	M2300T	CLAMP	2		X X	
14	P48347	O-RING	1		X X	
15	U10289	O-RING	1		X X	
16	Z32988	ELBOW FITTING	2		X X	(SUB FOR Z27457)
17	Z27688	ROD	1		X X	
18	Z27689	GUIDE	1		X X	
19	Z27690	NUT	1		X X	
20	Z27691	NUT	1		X X	
21	12H304	LOCK WASHER	2		X X	3/8"
22	14H812	NUT	2		X X	3/8"
23	19H1765	CAP SCREW	2		X X	3/8" X 1-3/4"
24	24H1111	WASHER	1		X X	

(1F07) STEERING-CYLINDER
VERINS DE DIRECTION
LENKZYLINDER
CILINDRO DI STERZO
CILINDRO DE LAS SERVODIRECCION HIDRAULICA
STYRCYLINDER

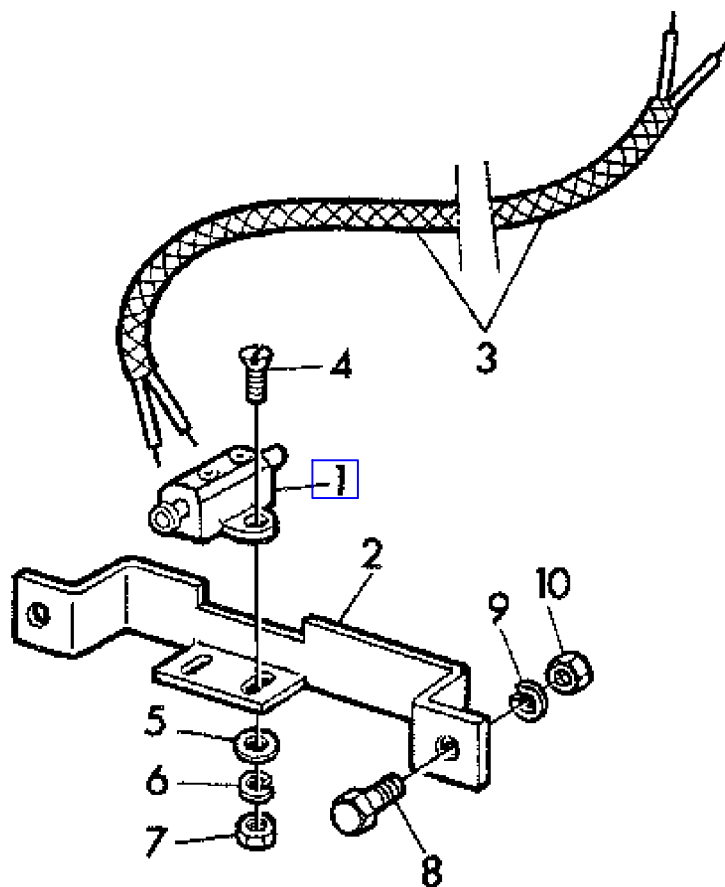


Z 63661

(1F07) STEERING-CYLINDER
 VERINS DE DIRECTION
 LENKZYLINDER
 CILINDRO DI STERZO
 CILINDRO DE LAS SERVODIRECCION HIDRAULICA
 STYRCYLINDER

KEY	PART NO.	PART NAME	QTY	SERIAL NO.	9 9 3 4 0 0	REMARKS
1	AZ21951	HYDRAULIC CYLINDER	1		X X	ASSY, INCL KEYS 1-18
	AZ21953	HYDRAULIC CYLINDER BARREL	1		X X	
2	Z32936	BACK-UP RING	2		X X	
3	U10289	O-RING	2		X X	
4	AZ21952	ROD	1		X X	
5	Z32935	GUIDE	1		X X	
6	Z32937	SNAP RING	1		X X	
7	AZ21954	PACKING	1		X X	
8	Z32933	WASHER	1		X X	
9	Z32934	SNAP RING	1		X X	(SUB FOR Z27457)
10	Z32988	ELBOW FITTING	2		X X	
11	AZ21955	STRIPPER	1		X X	
12	Z32931	FLANGE	1		X X	0.190" X 1/2"
13	12H295	LOCK WASHER	4		X X	
14	21H1301	SCREW	4		X X	
15	M2300T	CLAMP	2		X X	3/8" X 1-3/4" 3/8"
16	19H1765	CAP SCREW	2		X X	
17	12H304	LOCK WASHER	2		X X	
18	14H812	NUT	2		X X	3/8" INCL KEYS 15-18,21 (SUB FOR AH19765) INCL KEY 21 (SUB FOR AH19766)
19	AH75396	TIE ROD END	1		X X	
20	AH75397	TIE ROD END	1		X X	
21	H35664	BOOT	2		X X	
22	CM10111	LOCK NUT	2		X X	

(1B12) STOP LIGHT SWITCH
CONTACTEUR DE FEUX DE STOP
BREMSLICHTSCHALTER
INTERRUPTORE LUCI STOP
INTERRUPTER PARA LUCES DE PARE
STOPPLJUSKONTAKT

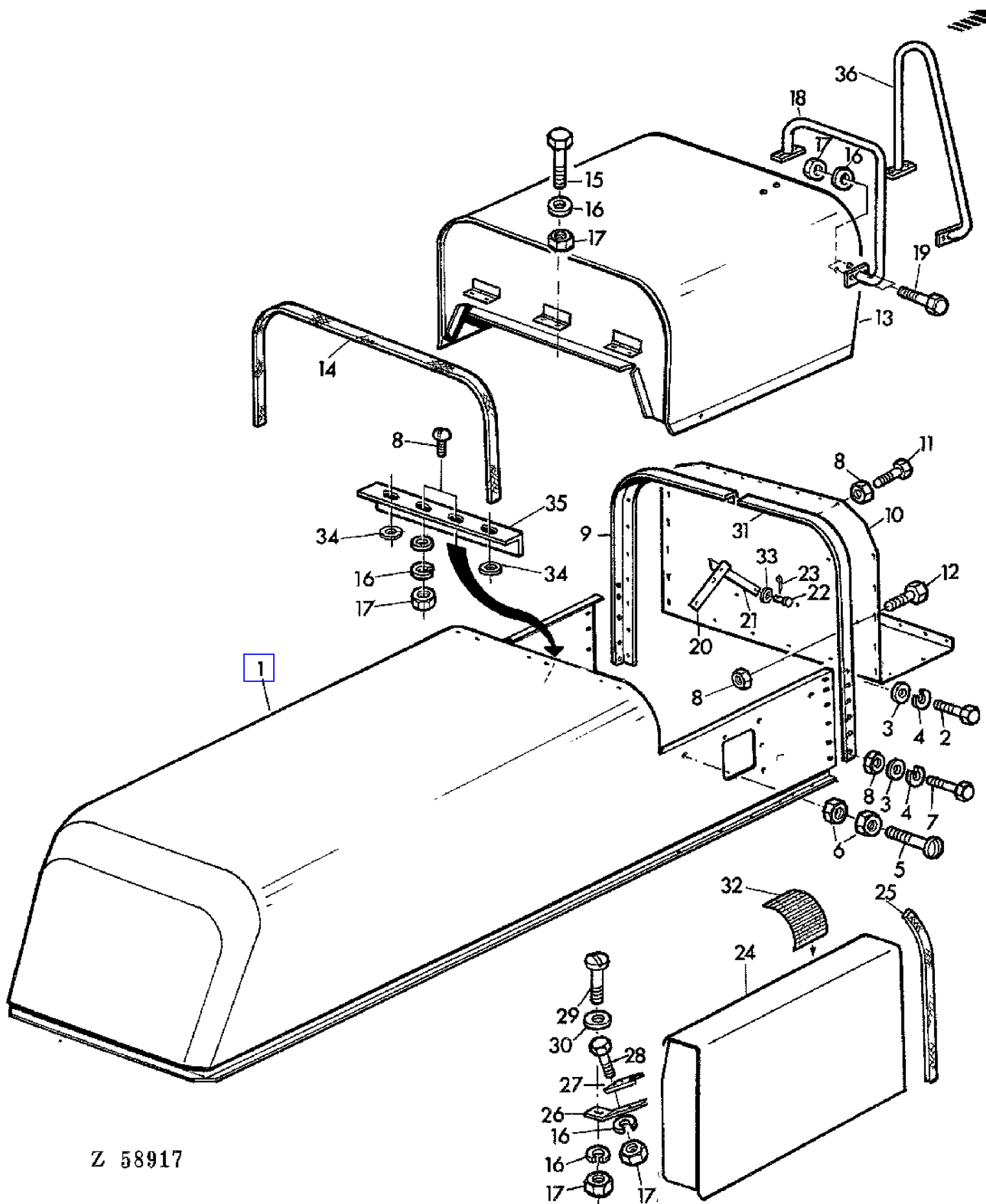


Z 14131

(1B12) STOP LIGHT SWITCH
CONTACTEUR DE FEUX DE STOP
BREMSLICHTSCHALTER
INTERRUPTORE LUCI STOP
INTERRUPTER PARA LUCES DE PARE
STOPPLJUSKONTAKT

KEY	PART NO.	PART NAME	QTY	SERIAL NO.	9 9 3 4 0 0	REMARKS
1	AL11174	SWITCH	1		XX	
2	AZ18005	HOLDER	1		XX	
3	AZ21209	CABLE	1		XX	
4	21M7197	SCREW	2		XX	M4 X 20
5	24M7117	WASHER	2		XX	4,3 MM
6	12M7031	LOCK WASHER	2		XX	4 MM
7	14M7139	NUT	2		XX	M4
8	19M7163	CAP SCREW	2		XX	M8 X 25
9	12M7008	LOCK WASHER	2		XX	8 MM
10	14M7014	NUT	2		XX	M8

(2F15) STRAW COVER FOR CROSS SHAKER
CAPOT DE L'AGITATEUR TRANSVERSAL
STROH-HAUBE FUER QUERSCHUETTLER
COPERCHIO PER LA PAGLIA PER LO SCUOTITORE TRASVERSALE
PROTECCION DEL BATIDOR
STRASKYDD FOER TVARSKAKARE

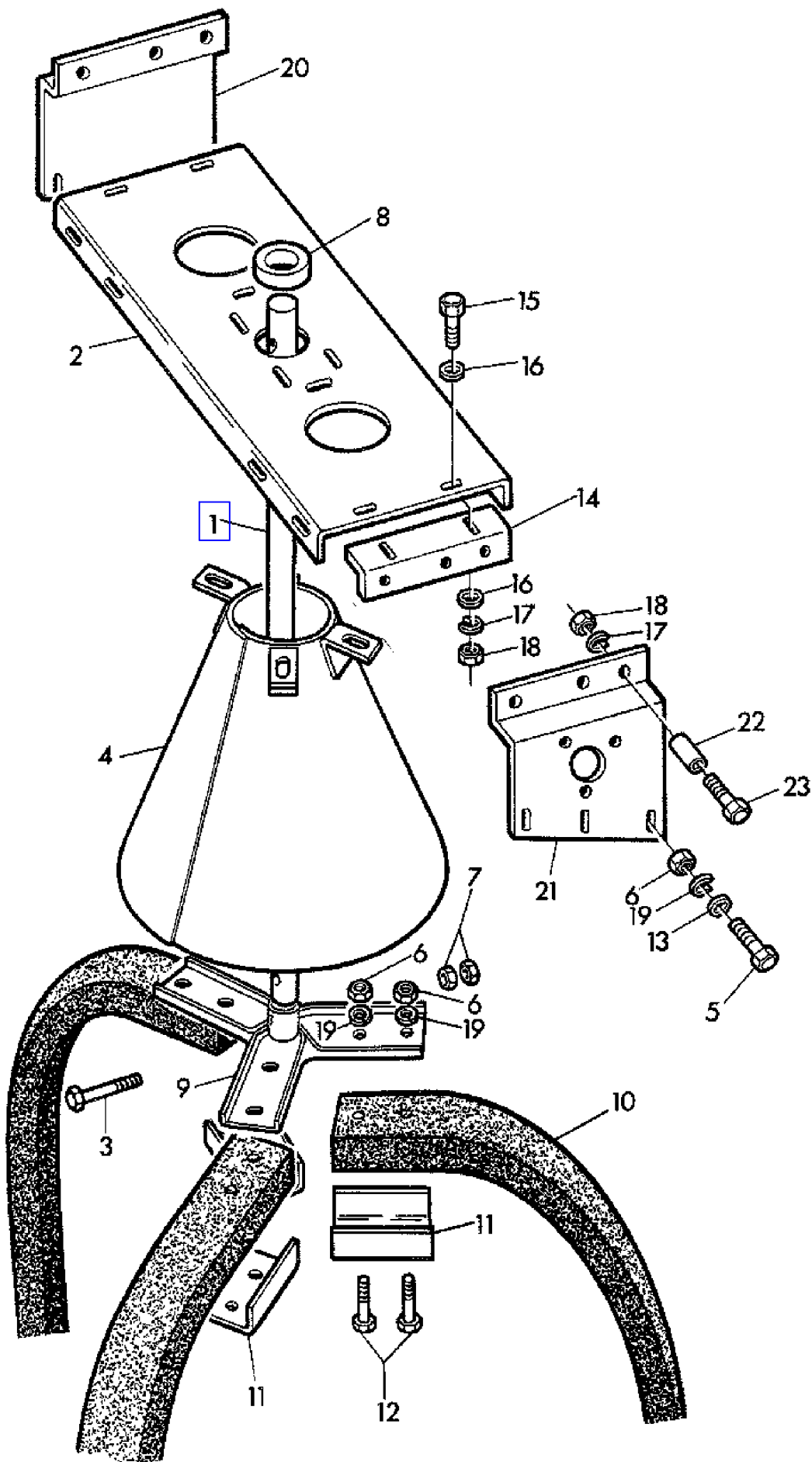


Z 58917

(2F15) STRAW COVER FOR CROSS SHAKER
 CAPOT DE L'AGITATEUR TRANSVERSAL
 STROH-HAUBE FUER QUERSCHUETTLER
 COPERCHIO PER LA PAGLIA PER LO SCUOTITORE TRASVERSALE
 PROTECCION DEL BATIDOR
 STRASKYDD FOER TVARSKAKARE

KEY	PART NO.	PART NAME	QTY	SERIAL NO.	99 34 00	REMARKS
1	AZ19507	HOOD	1		X	
2	19M7376	CAP SCREW	2		X	M8 X 22
3	24M7036	WASHER	9		X	9 MM
4	12M7008	LOCK WASHER	12		X	8 MM
5	21M7093	SCREW	2		X	M10 X 30
6	14M7140	NUT	4		X	M10
7	19M7284	CAP SCREW	9		X	M8 X 18
8	14M7029	NUT	24		X	M8
9	AZ19529	FRAME	1		X	LH
10	Z30926	PANEL	1		X	
11	19M7139	CAP SCREW	23		X	M8 X 20
12	19M7163	CAP SCREW	AR		X	M8 X 25
13	AZ19515	HOOD	1		X	
14	Z30992	GUARD	1		X	
15	19M7375	CAP SCREW	8		X	M6 X 18
16	12M7012	LOCK WASHER	17		X	6 MM
17	14M7027	NUT	17		X	M6
18	AZ20631	HANDRAIL	1		X	
19	19M7177	CAP SCREW	4		X	M6 X 35
20	AZ19897	ARRESTOR	1		X	
21	Z30922	ARRESTOR	1		X	
22	45M7019	PIN	2		X	10 X 14 X 10 MM
23	11M7013	COTTER PIN	3		X	3 X 20 MM
24	AZ21766	GUARD	1	- 940780	X	(ORD W/ KEY 26) (SUB FOR AZ21341)
25	Z30991	GUARD	1		X	
26	Z32798	BRACKET	2		X	(SUB FOR Z30923)
27	Z24277	HOLDER	2		X	
28	21M7085	SCREW	6		X	M6 X 20
29	21M7159	SCREW	2		X	M6 X 25
30	Z26250	WASHER	2		X	6,5 MM
31	AZ19528	FRAME	1		X	RH
32	Z31961	BOOT	AR		X	
33	24M7028	WASHER	AR		X	10,5 MM
34	24M7088	WASHER	4		X	6,6 MM
35	Z32925	ANGLE	1		X	
36	AZ21759	HANDRAIL	AR		X	

(2H07) STRAW SPREADER BLADES
EPARPILLEUR DE PAILLE PALETTES
STROH-STREUER-SCHLAEGER
LANCIA PAGLIA ELEMENTO LANCIATORE
EXTENDEDOR DE PAJA BATIDOR
HALMSPRIDARE BLAD



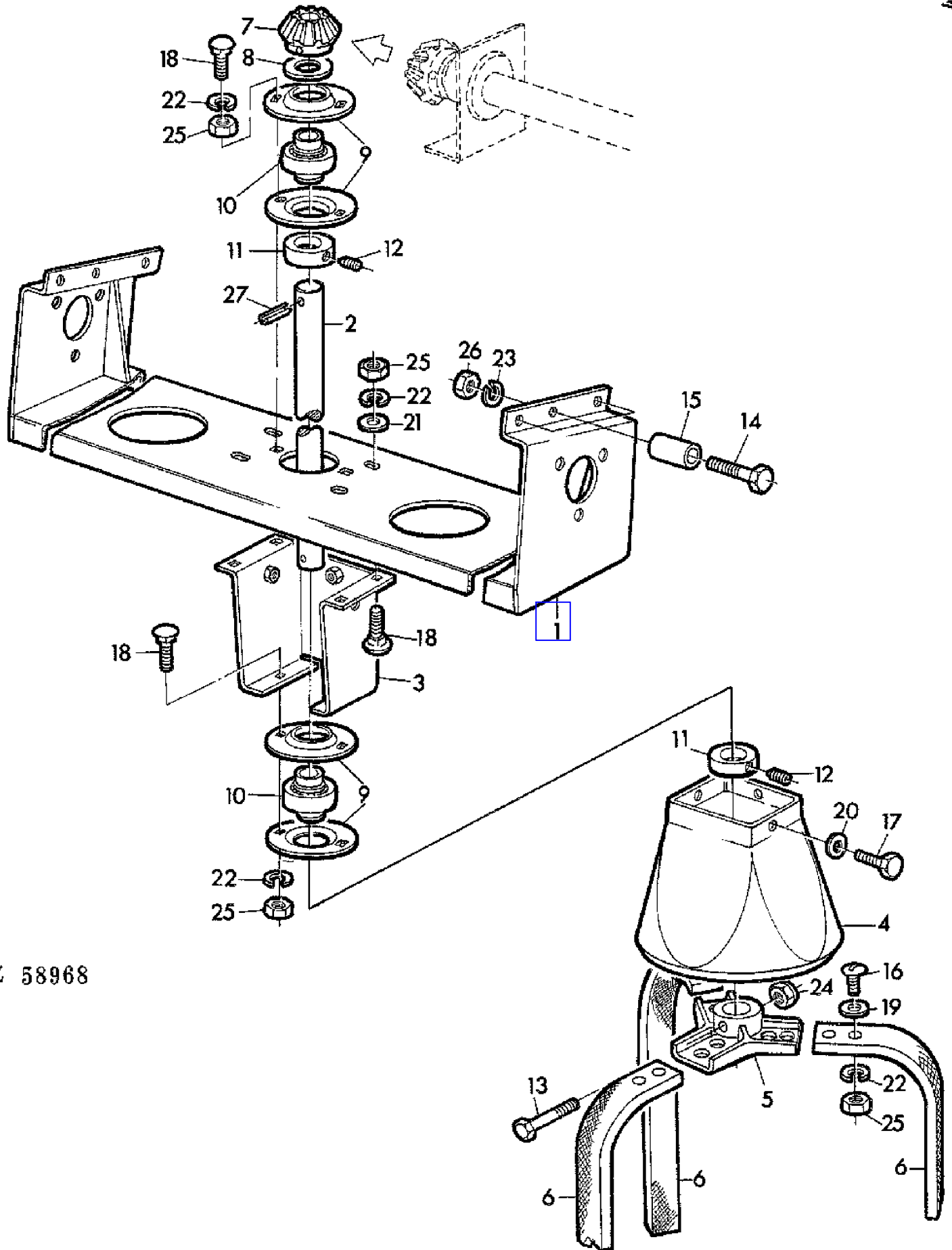
Z 58926

(2H07) STRAW SPREADER BLADES
 EPARPILLEUR DE PAILLE PALETTES
 STROH-STREUER-SCHLAEGER
 LANCIA PAGLIA ELEMENTO LANCIATORE
 EXTENDEDOR DE PAJA BATIDOR
 HALMSPRIDARE BLAD

KEY	PART NO.	PART NAME	QTY	SERIAL NO.	9 9 3 4 0 0	REMARKS
1	H27332	PIN	1		XX	(A)
2	Z30291	BRACKET	1		XX	(A)
3	19H1913	CAP SCREW	1		XX	(A) 5/16" X 2-1/4"
4	AP18166	GUARD	2		XX	(A)
5	19M7139	CAP SCREW	6		XX	(A) M8 X 20
6	14M7029	NUT	12		XX	(A) M8
7	14H785	NUT	2		XX	(A) 5/16"
8	AR389R	SEAL	2		XX	(A) (SUB FOR J10544)
9	H84934	SPIDER	1		XX	(A) (SUB FOR AH17917)
10	H30978	PADDLE	3		XX	(A)
11	H30953	BRACKET	3		XX	(A)
12	19M7301	CAP SCREW	12		XX	(A) M8 X 40
13	24M7036	WASHER	6		XX	(A) 9 MM
14	Z30286	ANGLE	2		XX	(A)
15	19M7167	CAP SCREW	4		XX	(A) M10 X 25
16	24M7040	WASHER	8		XX	(A) 11 MM
17	12M7013	LOCK WASHER	10		XX	(A) 10 MM
18	14M7140	NUT	10		XX	(A) M10
19	12M7008	LOCK WASHER	12		XX	(A) 8 MM
20	Z30287	SIDE WALL	1		XX	(A) LH
21	Z30288	BRACKET	1		XX	(A) RH
22	Z29770	SPACER	2		XX	(A)
23	19M7287	CAP SCREW	6		XX	(A) M10 X 50

(A) ENCLOSED DRIVE
 ENTRAINEMENT FERME
 GESCHLOSSENES GETRIEBE
 TIPO A SCATOLA
 TRANSMISION POR PINONES EN CARCASA
 INKAPSLAD DRIVNING

(2H11) STRAW SPREADER BLADES
EPARPILLEUR DE PAILLE PALETTES
STROH-STEUER SCHLAEGER
LANCIA PAGLIA ELEMENTO LANCIATORE
EXTENDEDORA DE PAJA BATIDOR
HALMSPRIDARE BLAD



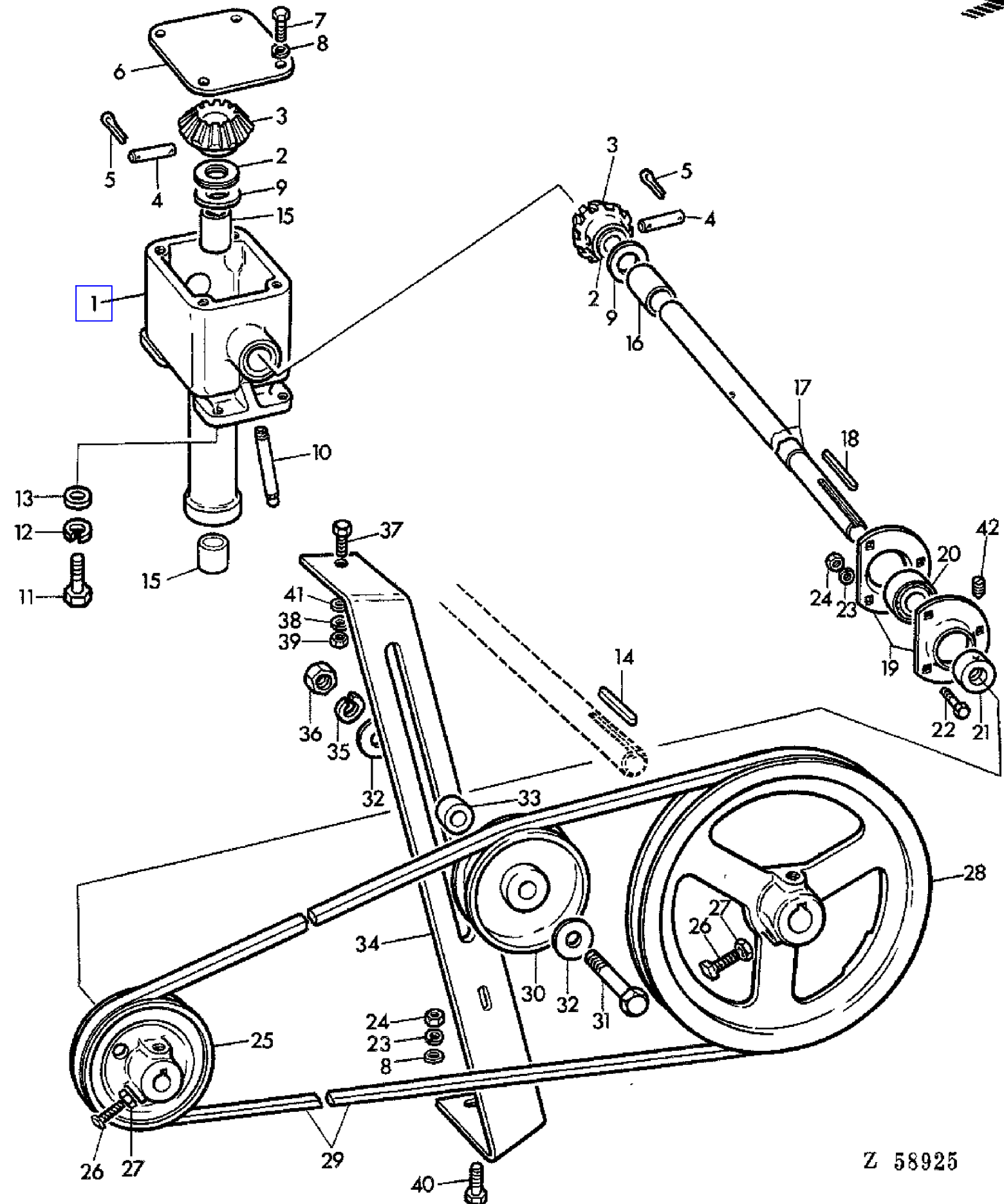
Z 58968

(2H11) STRAW SPREADER BLADES
 EPARPILLEUR DE PAILLE PALETTES
 STROH-STEUER SCHLAEGER
 LANCIA PAGLIA ELEMENTO LANCIATORE
 EXTENDEDORA DE PAJA BATIDOR
 HALMSPRIDARE BLAD

KEY	PART NO.	PART NAME	QTY	SERIAL NO.	9 9 3 4 0 0	REMARKS
1	AZ21755	BRACKET	1		XX	(A)
2	H83793	SHAFT	1		XX	(A)
3	AZ22696	RETAINER	1		XX	(A)
4	H83795	GUARD	1		XX	(A)
5	H84934	SPIDER	1		XX	(A)
6	H76933	BLADE	3		XX	(A)
7	H85869	PINION	1		XX	(A)
8	24H1433	WASHER	1		XX	(A) 29/32" X 2-1/4" X .250
9	P44439	PRESSED FLANGED HOUSING	4		XX	(A)
10	JD9442	BALL BEARING	2		XX	(A)
11	JD8563	ECCENTRIC LOCKING COLLAR	2		XX	(A) INCL KEY 12
12	AZ19843	SET SCREW	2		XX	(A) KIT
13	19M7269	CAP SCREW	1		XX	(A) M8 X 50
14	19M7287	CAP SCREW	6		XX	(A) M10 X 50
15	Z29770	SPACER	2		XX	(A)
16	21M7126	SCREW	6		XX	(A) M8 X 35
17	19M7159	CAP SCREW	3		XX	(A) M6 X 16
18	03M7128	BOLT	8		XX	(A) M8 X 20
19	24M7024	WASHER	6		XX	(A) 9,5 MM
20	Z26250	WASHER	3		XX	(A) 6,5 X 16 X 1,5 MM
21	24M7036	WASHER	2		XX	(A) 9 MM
22	12M7008	LOCK WASHER	14		XX	(A) 8 MM
23	12M7013	LOCK WASHER	6		XX	(A) 10 MM
24	14M7166	LOCK NUT	1		XX	(A) M8
25	14M7029	NUT	14		XX	(A) M8
26	14M7140	NUT	6		XX	(A) M10
27	34M7046	SPRING PIN	1		XX	(A) 8 X 36 MM

(A) OPEN DRIVE
 ENTRAINEMENT OUVERT
 OFFENES GETRIEBE
 TIPO SENZA SCATOLA
 TRANSMISION POR PINONES SIN CARCASA
 OEPPEN DRIVNING

(2H05) STRAW SPREADER DRIVE
EPARPILLEUR DE PAILLE ENTRAINEMENT
STROH-STREUER ANTRIEB
LANCIA PAGLIA COMANDO
EXTENDEDORA DE PAJA TRANSMISION
HALMSPRIDARE DRIVNING



Z 58925

(2H05) STRAW SPREADER DRIVE
EPARPILLEUR DE PAILLE ENTRAINEMENT
STROH-STREUER ANTRIEB
LANCIA PAGLIA COMANDO
EXTENDEDORA DE PAJA TRANSMISION
HALMSPRIDARE DRIVNING

KEY	PART NO.	PART NAME	QTY	SERIAL NO.	9 9 3 4 0 0	REMARKS
1	AP17564	HOUSING	1		X X	(A) INCL KEYS 15,16
2	H27631	WASHER	AR		X X	(A)
3	H85869	PINION	2		X X	(A) (SUB FOR H64734)
4	J8030H	PIN	2		X X	(A)
5	P40993	WIRE	4		X X	(A)
6	P40104	COVER	1		X X	(A)
7	36H17	CAP SCREW	4		X X	(A) 5/16" X 1/2"
8	24M7036	WASHER	5		X X	(A) 9 MM
9	J3461H	WASHER	AR		X X	(A)
10	JD7779	LUBRICATION FITTING	3		X X	(A)
11	36H43	SCREW	4		X X	(A) 3/8" X 3/4"
12	12H304	LOCK WASHER	4		X X	(A) 3/8"
13	24M7040	WASHER	4		X X	(A) 11 MM
14	49M4111	SHAFT KEY	1		X X	(A) 8 X 7 X 40 MM
15	H30261	BUSHING	2		X X	(A)
16	H30260	BUSHING	2		X X	(A)
17	Z23799	SHAFT	1		X X	(A)
18	49M4821	SHAFT KEY	1		X X	(A) 6 X 6 X 32 MM
19	Z23787	PRESSED FLANGED HOUSING	2		X X	(A)
20	JD39108	BALL BEARING	1		X X	(A)
21	AZ13117	ECCENTRIC LOCKING COLLAR	1		X X	(A) INCL KEY 42
22	19M7139	CAP SCREW	3		X X	(A) M8 X 20
23	12M7008	LOCK WASHER	4		X X	(A) 8 MM
24	14M7029	NUT	4		X X	(A) M8
25	Z10262	SHEAVE	1		X X	(A)
26	Z32433	SET SCREW	4		X X	(A) M10 X 30 (SUB FOR Z26238)
27	14M7152	NUT	4		X X	(A) M10
28	Z10810	PULLEY	AR		X X	(A) 223 MM
	Z22829	PULLEY	AR		X X	(A) 297 MM
29	Z32041	BELT	1		X X	(A)
30	Z32158	BELT	1		X X	(A)
	AP24917	IDLER	1		X X	(A)
31	19M7344	CAP SCREW	1		X X	(A) M16 X 65
32	24M7049	WASHER	2		X X	(A) 18 MM
33	Z24862	SPACER	1		X X	(A) (SUB FOR Z23794)
34	Z32038	HOLDER	1		X X	(A)
35	12M7017	LOCK WASHER	1		X X	(A) 16 MM
36	14M7142	NUT	1		X X	(A) M16
37	19M7286	CAP SCREW	1		X X	(A) M6 X 25

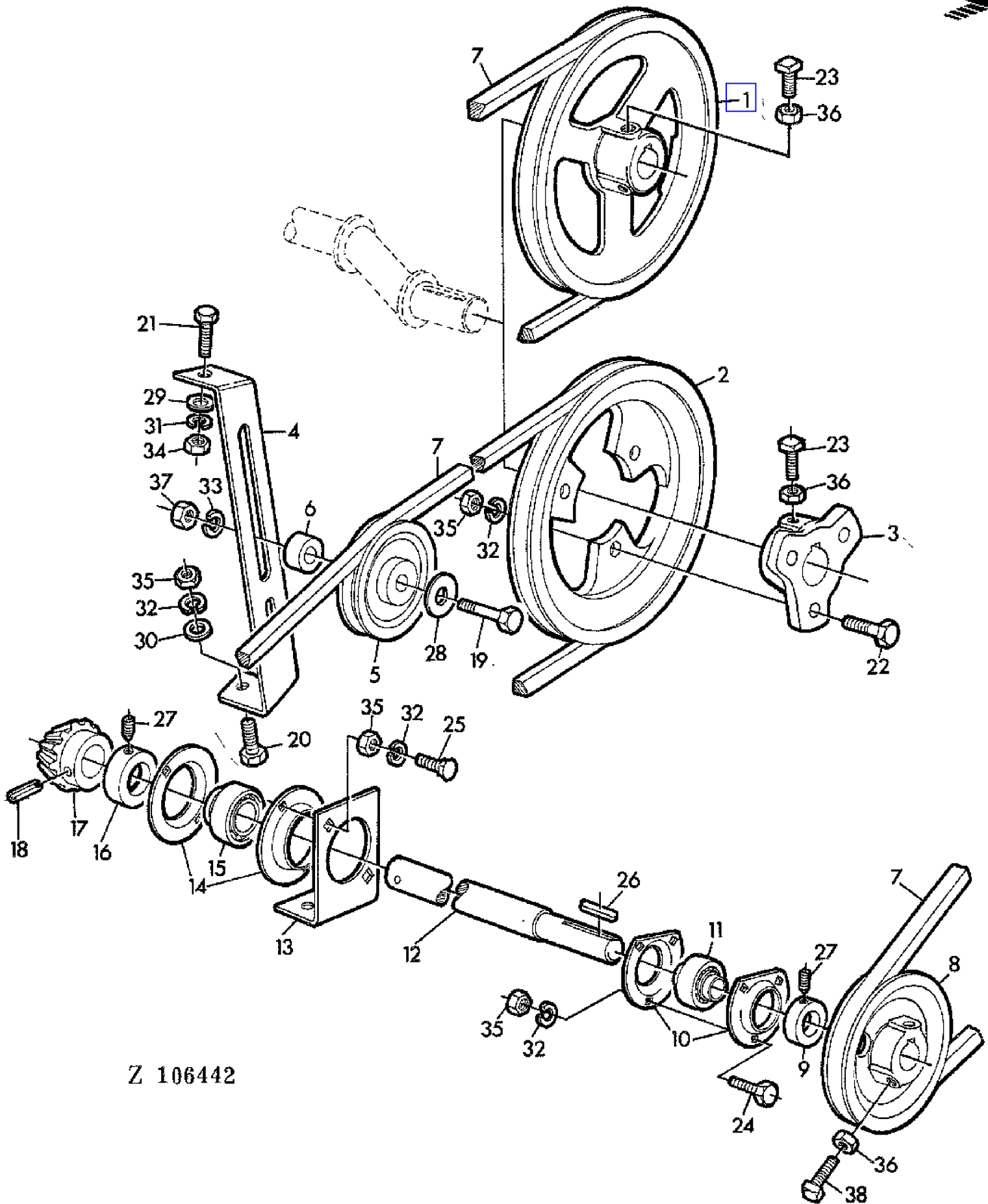
(A) ENCLOSED DRIVE
ENTRAINEMENT FERME
GESCHLOSSENES GETRIEBE
TIPO A SCATOLA
TRANSMISION POR PINONES EN CARCASA
INKAPSLAD DRIVNING

(2H05) STRAW SPREADER DRIVE
EPARPILLEUR DE PAILLE ENTRAINEMENT
STROH-STREUER ANTRIEB
LANCIA PAGLIA COMANDO
EXTENDEDORA DE PAJA TRANSMISION
HALMSPRIDARE DRIVNING

KEY	PART NO.	PART NAME	QTY	SERIAL NO.	9 9 3 4 0 0	REMARKS
38	12M7012	LOCK WASHER	1		X X	(A) 6 MM
39	14M7027	NUT	1		X X	(A) M6
40	19M7163	CAP SCREW	1		X X	(A) M8 X 25
41	Z26250	WASHER	1		X X	(A) 6,5 X 16 X 1,5 MM
42	AZ19843	SET SCREW	1		X X	(A) KIT

(A) ENCLOSED DRIVE
ENTRAINEMENT FERME
GESCHLOSSENES GETRIEBE
TIPO A SCATOLA
TRANSMISION POR PINONES EN CARCASA
INKAPSLAD DRIVNING

(2H09) STRAW SPREADER DRIVE
EPARPILLEUR DE PAILLE ENTRAINEMENT
STROH-STREUER-ANTRIEB
LANCIA PAGLIA COMANDO
EXTENDEDORA DE PAJA TRANSMISSION
HALMSPRIDARE DRIVNING



Z 106442

(2H09) STRAW SPREADER DRIVE
 EPARPILLEUR DE PAILLE ENTRAINEMENT
 STROH-STREUER-ANTRIEB
 LANCIA PAGLIA COMANDO
 EXTENDEDORA DE PAJA TRANSMISSION
 HALMSPRIDARE DRIVNING

KEY	PART NO.	PART NAME	QTY	SERIAL NO.	9 9 3 4 0 0	REMARKS
1	Z10810	PULLEY	1		X	(A)
2	Z10860	PULLEY	1		X	(A)
3	Z10858	HUB	1		X	(A)
4	Z23801	HOLDER	1		X	(A)
	Z32038	HOLDER	1		X	(A)
5	AP24917	IDLER	1		X X	(A)
6	Z24862	SPACER	1		X	(A)
	Z22659	SPACER	1		X	(A)
7	Z32158	BELT	1		X	(A)
	Z32041	BELT	1		X	(A)
8	Z10262	SHEAVE	1		X X	(A)
9	AZ13117	ECCENTRIC LOCKING COLLAR	1		X X	(A) INCL KEY 27
10	Z23787	PRESSED FLANGED HOUSING	2		X X	(A)
11	JD39108	BALL BEARING	1		X X	(A)
12	Z32779	SHAFT	1		X X	(A)
13	H83797	BRACKET	1		X X	(A)
14	P44439	PRESSED FLANGED HOUSING	2		X X	(A)
15	JD8562	BALL BEARING	1		X X	(A)
16	JD8563	ECCENTRIC LOCKING COLLAR	1		X X	(A) INCL KEY 27
17	H85869	PINION	1		X X	(A)
18	34M7046	SPRING PIN	1		X X	(A) 8 X 36 MM
19	19M6754	CAP SCREW	1		X X	(A) M16 X 75
20	19M7163	CAP SCREW	1		X X	(A) M8 X 25
21	19M7286	CAP SCREW	1		X X	(A) M6 X 25
22	19M7288	CAP SCREW	3		X X	(A) M8 X 30
23	Z32433	SET SCREW	AR		X X	(A) 10 X 30 MM
24	19M7139	CAP SCREW	3		X X	(A) M8 X 20
25	03M7128	BOLT	4		X X	(A) M8 X 20
26	49M4821	SHAFT KEY	1		X X	(A) 6 X 6 X 32 MM
27	AZ19843	SET SCREW	2		X X	(A) KIT
28	24M7049	WASHER	1		X X	(A) 18 MM
29	Z26250	WASHER	1		X X	(A) 6,5 X 16 X 1,5 MM
30	24M7036	WASHER	1		X X	(A) 9 MM
31	12M7012	LOCK WASHER	1		X X	(A) 6 MM
32	12M7008	LOCK WASHER	11		X X	(A) 8 MM
33	12M7017	LOCK WASHER	1		X X	(A) 16 MM
34	14M7027	NUT	1		X X	(A) M6
35	14M7029	NUT	11		X X	(A) M8
36	14M7152	NUT	3		X X	(A) M10

(A) OPEN DRIVE
 ENTRAINEMENT OUVERT
 OFFENES GETRIEBE
 TIBO SENZA SCATOLA
 TRASMISSION POR PINONES SIN CARCASA
 OPPEEN DRIVNING

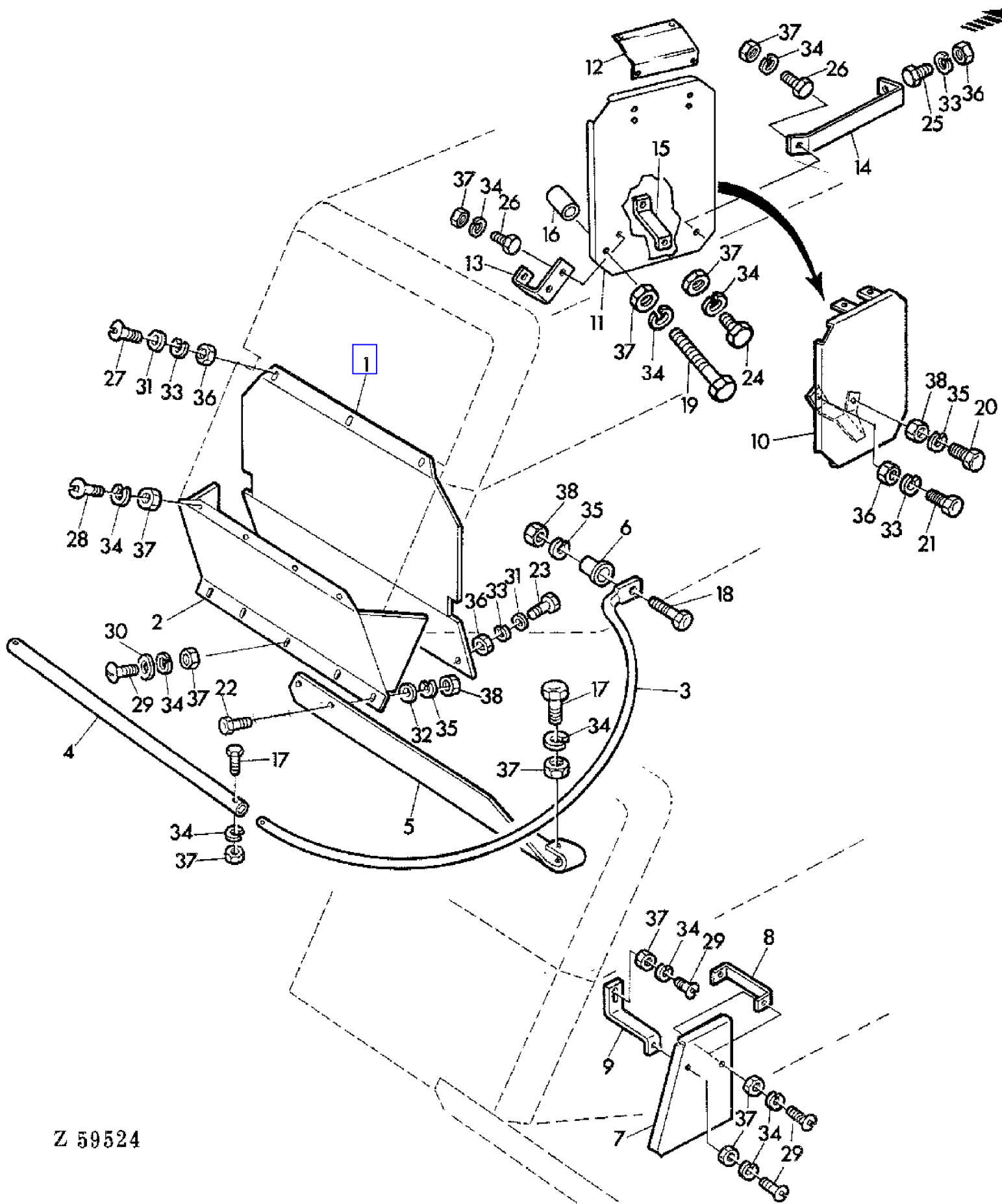
(2H09) STRAW SPREADER DRIVE
EPARPILLEUR DE PAILLE ENTRAINEMENT
STROH-STREUER-ANTRIEB
LANCIA PAGLIA COMANDO
EXTENDEDORA DE PAJA TRANSMISSION
HALMSPRIDARE DRIVNING

KEY	PART NO.	PART NAME	QTY	SERIAL NO.	99 34 00	REMARKS
37	14M7142	NUT	1		XX	(A) M16
38	Z26249	SET SCREW	AR		XX	(A)

(A) OPEN DRIVE
ENTRAINEMENT OUVERT
OFFENES GETRIEBE
TIBO SENZA SCATOLA
TRASMISSION POR PINONES SIN CARCASA
OPPEN DRIVNING

(2H13) STRAW SPREADER PROTECTION SHIELDS

EPANDEUSE DE PROTECTION
STROH STREUER SCHUTZE
LANCIA PAGLIA DIFESA
ESPARCIDOR DE PAJA PROTECCION
HALMSPRIDARE SKYDD



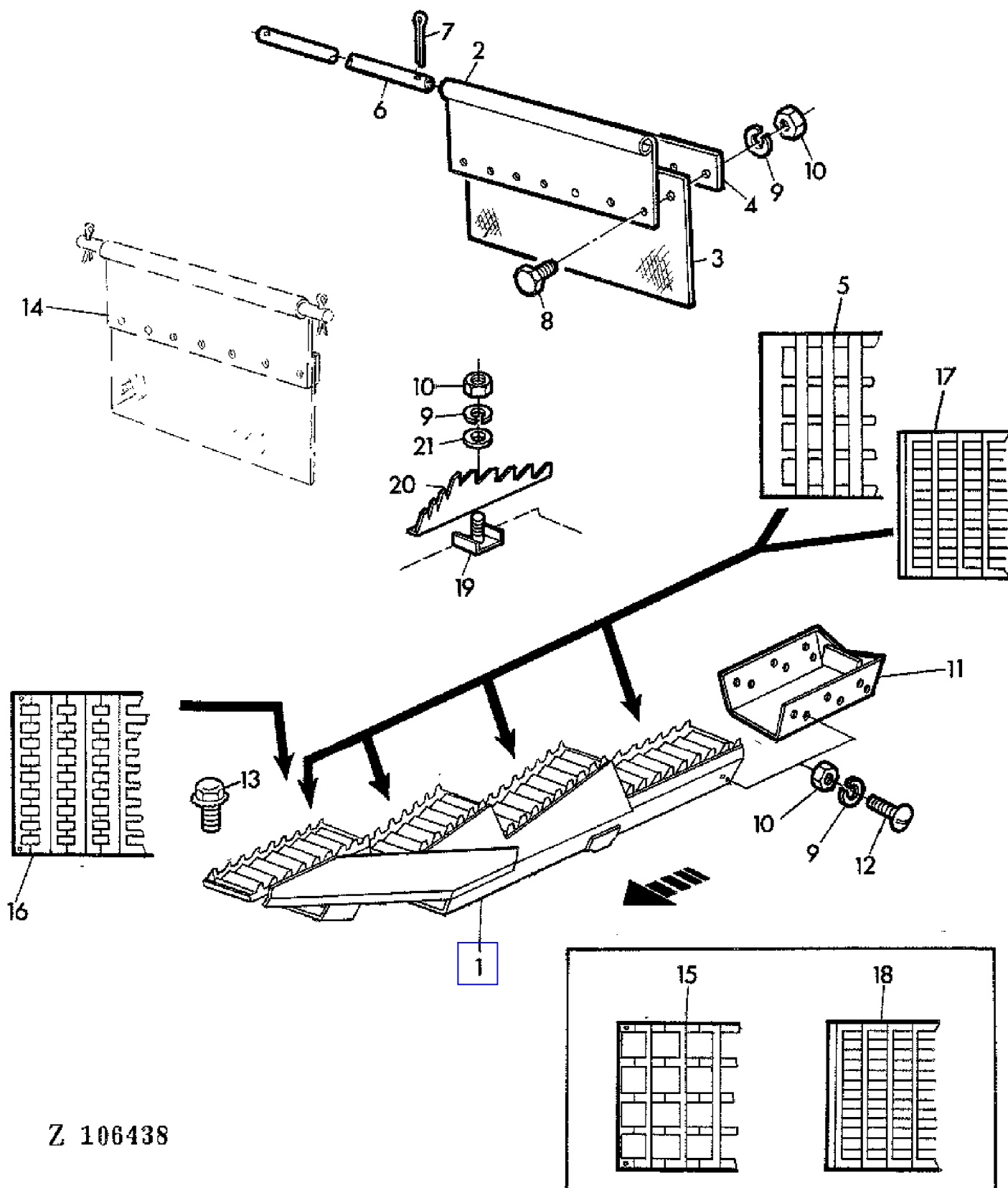
Z 59524

(2H13) STRAW SPREADER PROTECTION SHIELDS

EPANDEUSE DE PROTECTION
STROH STREUER SCHUTZE
LANCIA PAGLIA DIFESA
ESPARCIDOR DE PAJA PROTECCION
HALMSPRIDARE SKYDD

KEY	PART NO.	PART NAME	QTY	SERIAL NO.	9 3 0	9 4 0	REMARKS
1	AZ20987	DEFLECTOR	1		X		
	Z30294	DEFLECTOR	1			X	
2	Z30297	COVER	1		X	X	
3	Z32040	GUARD	1		X	X	
4	Z23796	GUARD	1		X	X	
5	Z30284	HOLDER	1		X	X	LH
	Z30285	HOLDER	1		X	X	RH
6	Z29770	SPACER	2		X	X	
7	AZ21753	GUARD	1		X	X	AR
	Z32039	GUARD	1		X	X	AR
8	Z32035	RETAINER	1		X	X	
9	Z30280	HOLDER	1		X	X	
10	AZ20789	GUARD	1		X		AR
11	Z23805	GUARD	1		X		
	Z32785	GUARD	1		X		AR
12	Z23790	GUARD	1		X	X	
13	Z32788	HOLDER	1		X		AR
14	Z32886	HOLDER	1		X		AR
15	Z23789	HOLDER	1		X		
16	Z23384	SPACER	1		X		
17	19M7320	CAP SCREW	4		X	X	M6 X 40
18	19M7328	CAP SCREW	2		X	X	M10 X 70
19	19M7321	CAP SCREW	1		X		M6 X 85
20	19M7167	CAP SCREW	1		X		M10 X 25
21	19M7139	CAP SCREW	1		X		M8 X 20
22	19M7167	CAP SCREW	4		X	X	M10 X 25
23	19M7162	CAP SCREW	AR		X	X	M8 X 16
24	19M7159	CAP SCREW	AR		X		M6 X 15
25	19M7284	CAP SCREW	1		X		M8 X 18
26	19M7159	CAP SCREW	3		X		M6 X 15
27	21M7081	SCREW	3		X	X	M8 X 15
28	21M7087	SCREW	4		X	X	M6 X 12
29	21M7031	SCREW	8		X	X	M6 X 15
30	Z26250	WASHER	5		X	X	6,5 X 16 X 1,5 MM
31	24M7036	WASHER	6		X	X	9 MM
32	24M7040	WASHER	8		X	X	11 MM
33	12M7008	LOCK WASHER	8		X	X	8 MM
34	12M7012	LOCK WASHER	20		X	X	6 MM
35	12M7013	LOCK WASHER	7		X	X	10 MM
36	14M7029	NUT	8		X	X	M8
37	14M7027	NUT	20		X	X	M6
38	14M7140	NUT	7		X	X	M10

(2C09) STRAW WALKER
SECOUEUR A PAILLE
STROHSCHUETTLE
SCUOTIPAGLIA
SACA-PAJAS
HALMSKAKARE

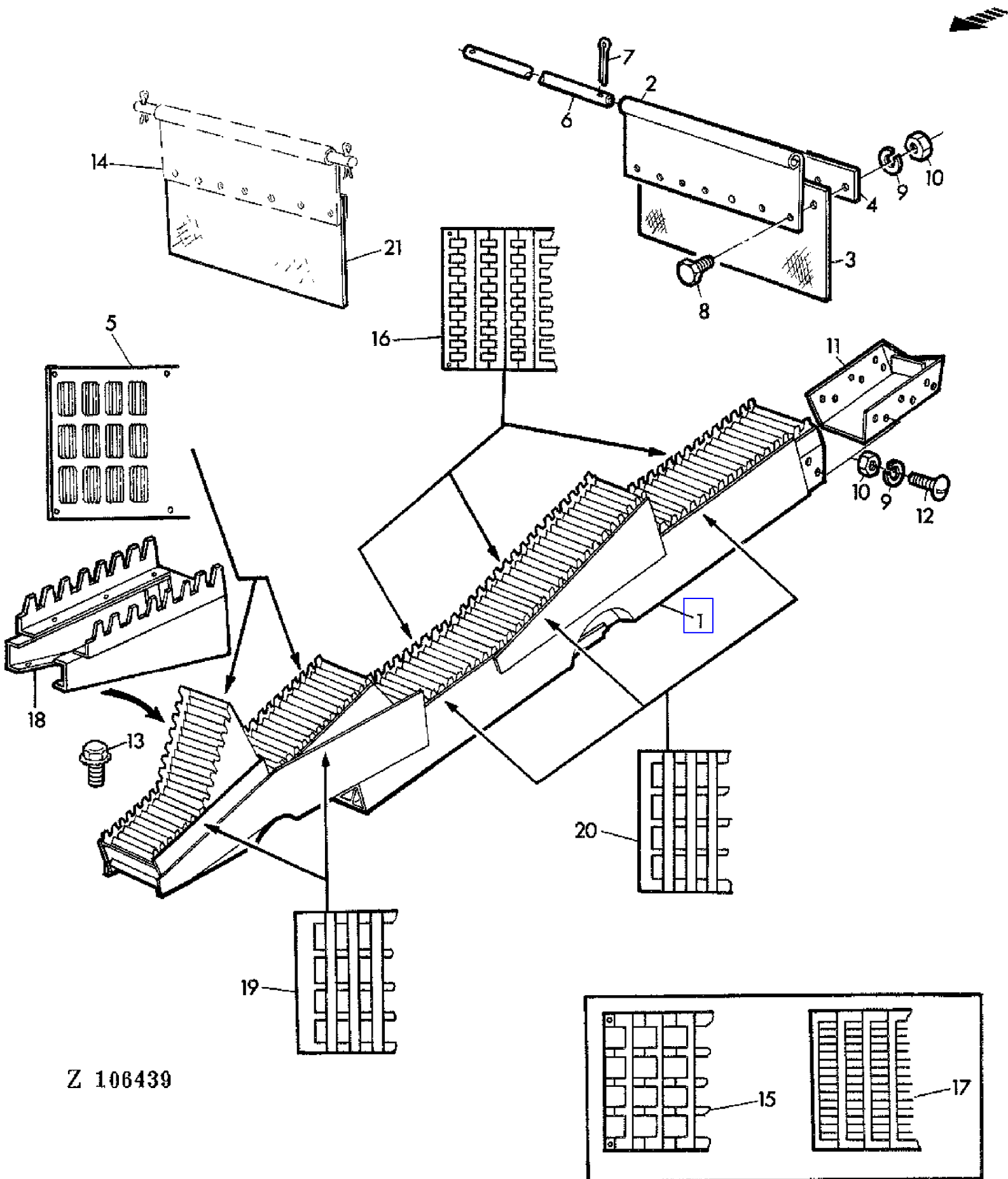


Z 106438

(2C09) STRAW WALKER
SECOUEUR A PAILLE
STROHSCHUETTLER
SCUOTIPAGLIA
SACA-PAJAS
HALMSKAKARE

KEY	PART NO.	PART NAME	QTY	SERIAL NO.	9 9 3 4 0 0	REMARKS
1	AZ23272	STRAW WALKER	3		X	(B) ASSY (SUB FOR AZ10030, AZ20197 W/ Z30427, (3) Z29890)
	AZ27821	STRAW WALKER	3		X	(C) (ORD AZ32050, Z38552, Z42333, (4) 03M7289)
	AZ32050	STRAW WALKER	3	036703 -	X	(C) ASSY
2	Z20055	HOLDER	1		X	
3	Z35496	LIMIT CURTAIN	1		X	(SUB FOR Z30188)
4	Z20054	REINFORCEMENT	1		X	
5	Z38552	STRAW WALKER GRID	AR		X	
6	Z20056	PIN	1		X	
7	11M7013	COTTER PIN	2		X	3 X 20 MM
8	19M7159	CAP SCREW	5		X	M6 X 15
9	12M7012	LOCK WASHER	24		X	6 MM
10	14M7027	NUT	24		X	M6
11	Z20048	EXTENSION	3		X	
12	21M7087	SCREW	12		X	M6 X 12
13	Z38459	CAP SCREW	24		X	
14	HOLDER	AR		X	FRONT (ORD KEYS 8,9,11-16)
15	Z30420	STRAW WALKER GRID	AR		X	(A) AR
16	Z30427	STRAW WALKER GRID	AR		X	(B) AR
17	Z34382	STRAW WALKER GRID	AR		X	(B) AR (SUB FOR Z29890)
18	Z20023	STRAW WALKER GRID	AR		X	(B) AR
19	AZ13818	ANCHOR	6		X	AR
20	H33395	FISHBACK	3		X	AR
21	24M7088	WASHER	6		X	6,6 MM, AR
(A)	CORN-COB-MIX	(B)	CORN/GRAIN	(C)	GRAIN/RICE	
	MELANGE RAFLES-GRAINS		MAIS/CEREALES		CEREALES/RIZ	
	KOERNER-SPINDEL-GEMISCH		MAIS/GETREIDE		GETREIDE/REIS	
	MISCUGLIO DI GRANELLA E TUTO		MAIS/GRANO		GRAN/RISO	
	MEZCLA DE GRANOS Y MAZORCAS		MAIZ/CEREALES		CEREALES/ARROZ	
	CORN COB MIX		MAJS/SAED		SAED/RIS	

(2C11) STRAW WALKER
SECOUEUR A PAILLE
STROHSCHUETTLER
SCUOTIPAGLIA
SACA-PAJAS
HALMSKAKARE



Z 106439

(2C11) STRAW WALKER
SECOUEUR A PAILLE
STROHSCHUETTLER
SCUOTIPAGLIA
SACA-PAJAS
HALMSKAKARE

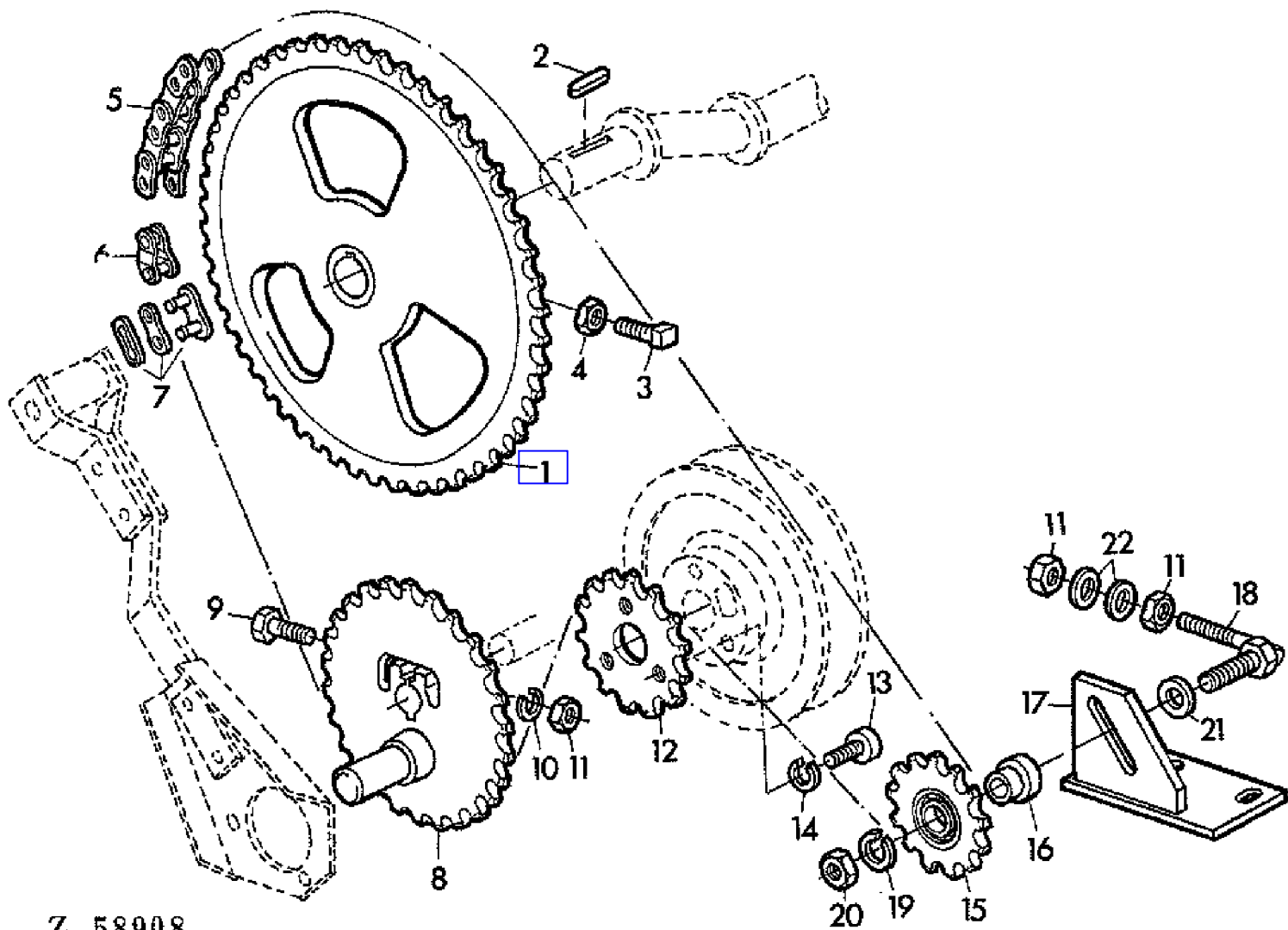
KEY	PART NO.	PART NAME	QTY	SERIAL NO.	9 3 0	9 4 0	REMARKS
1	AZ27890	STRAW WALKER	3	- 036702	X		(B) INCL KEY 18 (ORD AZ33590, Z42333, (4) 03M7289)
	AZ27828	STRAW WALKER	3	- 036702	X		(C) INCL KEY 18 (ORD AZ33591, Z42333, (4) 03M7289)
	AZ33590	STRAW WALKER	3	036703 -	X		(B) INCL KEY 18
2	AZ33591	STRAW WALKER	3	036703 -	X		(C) ASSY, INCL KEY 18
3	Z20055	HOLDER	1		X		REAR
	Z35496	LIMIT CURTAIN	1		X		(SUB FOR Z30180)
4	Z20054	REINFORCEMENT	1		X		REAR
5	Z36520	STRAW WALKER GRID	AR		X		(B) (SUB FOR Z30427)
6	Z20056	PIN	1		X		REAR
7	11M7013	COTTER PIN	2		X		3 X 20 MM
8	19M7159	CAP SCREW	AR		X		M6 X 15
9	12M7012	LOCK WASHER	AR		X		6 MM
10	14M7027	NUT	AR		X		M6
11	Z20048	EXTENSION	3		X		
12	21M7087	SCREW	AR		X		M6 X 12
13	Z38459	CAP SCREW	AR		X		
14	HOLDER	1		X		FRONT (ORD KEYS 2-4,6-10,21)
15	Z30420	STRAW WALKER GRID	AR		X		(A) FRONT
16	Z30427	STRAW WALKER GRID	AR		X		(B)
17	Z29891	STRAW WALKER GRID	AR		X		(B) REAR (SUB FOR Z29890)
18	AZ26980	STRAW WALKER	3		X		
19	Z38552	STRAW WALKER GRID	AR		X		(C) (SUB FOR Z30529)
20	Z38552	STRAW WALKER GRID	AR		X		(C) (SUB FOR Z20023, Z30528)
21	Z38023	LIMIT CURTAIN	1		X		FRONT

(A) CORN-COB-MIX
MELANGE RAFLES-GRAINS
KOERNER-SPINDEL-GEMISCH
MISCUGLIO DI GRANELLA E TUTO
MEZCLA DE GRANOS Y MAZORCAS
CORN COB MIX

(B) CORN/GRAIN
MAIS/CEREALES
MAIS/GETREIDE
MAIS/GRANO
MAIZ/CEREALES
MAJS/SAED

(C) GRAIN/RICE
CEREALES/RIZ
GETREIDE/REIS
GRAN/RISO
CEREALES/ARROZ
SAED/RIS

(2C13) STRAW WALKER DRIVE AND LOWER CHAFFER BOARD DRIVE
ENTRAINEMENT DES SECOUEURS ET ENTRAINEMENT DE LA HOTTE
STROHSCHUETTLER- UND SCHUETTELKASTEN-ANTRIEB
COMANDO DEGLI SCUOTIPAGLIA E DEL CASSONCINO
ACCIONAMIENTO DEL SACA-PAJAS Y DE LA CAJA REMOVEDORA CON CRI
HALMSKAKAREDRIV

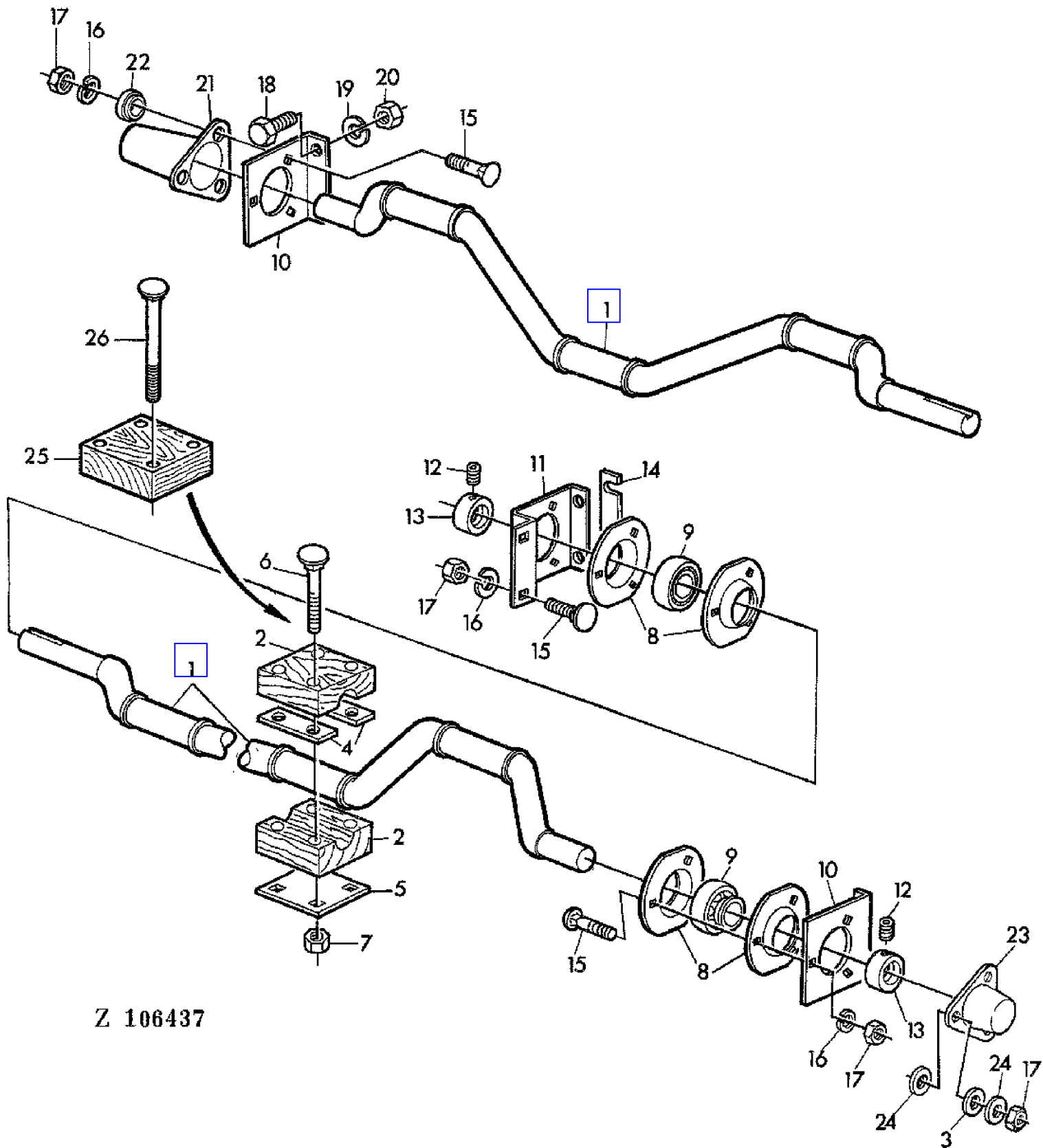


Z 58908

(2C13) STRAW WALKER DRIVE AND LOWER CHAFFER BOARD DRIVE
 ENTRAINEMENT DES SECOUEURS ET ENTRAINEMENT DE LA HOTTE
 STROHSCHUETTLER- UND SCHUETTELKASTEN-ANTRIEB
 COMANDO DEGLI SCUOTIPAGLIA E DEL CASSONCINO
 ACCIONAMIENTO DEL SACA-PAJAS Y DE LA CAJA REMOVEDORA CON CRI
 HALMSKAKAREDRIV

KEY	PART NO.	PART NAME	QTY	SERIAL NO.	9 9 3 4 0 0	REMARKS
1	Z10024	CHAIN SPROCKET	1		X X	Z = 63
2	49M4836	SHAFT KEY	1		X X	8 X 7 X 45 MM
3	Z32433	SET SCREW	2		X X	10 X 30 MM (SUB FOR Z26238)
4	14M7152	NUT	2		X X	M10
5	AZ10279	LINK CHAIN	1		X X	L = 122
6	AZ12882	LINK	1		X X	
7	AL14209	LINK	1		X X	
8	Z11379	CRANK	1		X X	Z = 33
9	19M7287	CAP SCREW	1		X X	M10 X 50
10	12M7013	LOCK WASHER	1		X X	10 MM
11	14M7140	NUT	3		X X	M10
12	Z30028	CHAIN SPROCKET	1		X X	Z = 16
13	19M7555	SCREW	3		X X	M8 X 30
14	12M7008	LOCK WASHER	3		X X	8 MM
15	AZ10272	CHAIN SPROCKET	1		X X	Z = 15
16	Z29438	BUSHING	1		X X	
17	AZ18116	BRACKET	1		X X	
18	AZ18115	TIGHTENER	1		X X	
19	12M7014	LOCK WASHER	1		X X	12 MM
20	14M7031	NUT	1		X X	M12
21	24M7038	WASHER	1		X X	14 MM
22	24M7014	WASHER	2		X X	11 MM

(2C07) STRAW WALKER SHAFTS
ARBRES DES SECOUEURS
STROHSCHUETTLER-WELLEN
ALBERI DEGLI SCUOTIPAGLIA
CIGUENAL DEL SACA-PAJAS
HALMSKAKARAXLAR

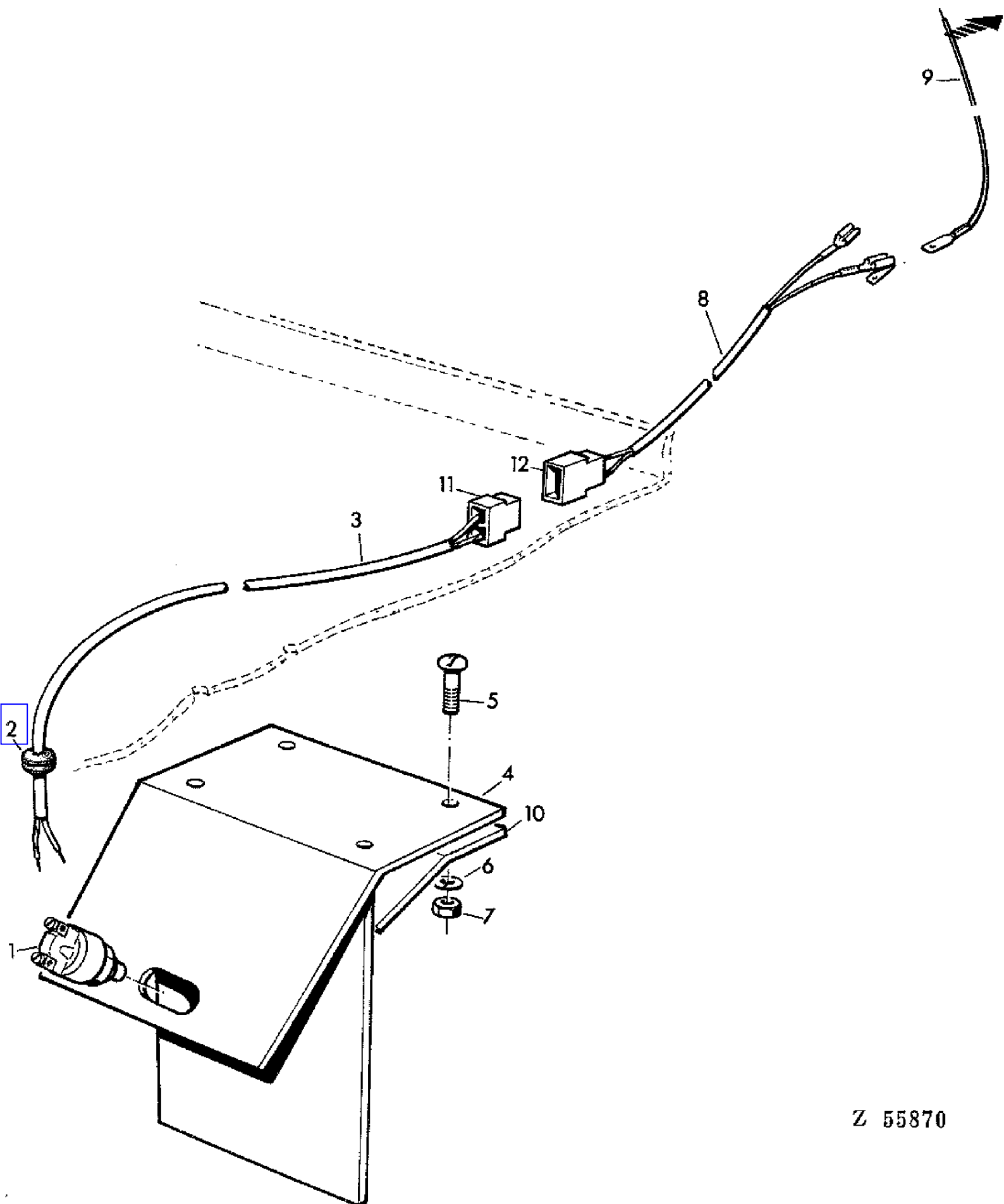


Z 106437

(2C07) STRAW WALKER SHAFTS
 ARBRES DES SECOUEURS
 STROHSCHUETTLER-WELLEN
 ALBERI DEGLI SCUOTIPAGLIA
 CIGUENAL DEL SACA-PAJAS
 HALMSKAKARAXLAR

KEY	PART NO.	PART NAME	QTY	SERIAL NO.	9 9 3 4 0 0	REMARKS
1	AZ13774	CRANKSHAFT	2		X X	
2	AZ31215	BEARING	6		X X	KIT (SUB FOR AZ10036)
3	Z36140	WASHER	3		X X	
4	Z20039	SHIM	24		X X	
5	Z20040	PLATE	6		X X	
6	03M7105	BOLT	24		X X	M10 X 75
7	14M7167	LOCK NUT	24		X X	M10
8	P47232	PRESSED FLANGED HOUSING	8		X X	
9	JD39102	BALL BEARING	4		X X	
10	Z20049	BRACKET	3		X X	1-RH, REAR, 2-LH
11	Z20050	BRACKET	1		X X	RH, FRONT
12	22H558	SET SCREW	4		X X	
13	AZ10044	ECCENTRIC LOCKING COLLAR	4		X X	ASSY, INCL KEY 12
14	Z24982	STRAP	AR		X X	
15	03M7054	BOLT	14		X X	M8 X 20
16	12M7008	LOCK WASHER	14		X X	8 MM
17	14M7029	NUT	17		X X	M8
18	19M7166	CAP SCREW	8		X X	M10 X 20
19	12M7013	LOCK WASHER	8		X X	10 MM
20	14M7140	NUT	8		X X	M10
21	Z38378	GUARD	1		X X	(SUB FOR Z26193)
22	Z27696	WASHER	3		X X	
23	Z38380	GUARD	1		X X	AR (SUB FOR Z31792, Z35647)
24	24M7036	WASHER	6		X X	9 MM
25	Z42333	HALF CLAMP	AR	- 036702	X X	(FOR AZ32050, AZ33590, AZ33591)
26	03M7289	BOLT	AR	- 036702	X X	M10 X 130 (FOR AZ32050, AZ33590, AZ33591)

(2C25) STRAW WALKER WARNIN DEVICE,FRONT
AVERTISSEUR DE BOURRAGE,AVANT
STROHWARNANLAGE, VORN
AVVISATORE DEGLI SCUOTIPAGLIA, AVANTI
ALARMA PARA ATASCAMIENTOS DE PAJA DELANTERA
HALMVARNINGSANLAEGGNING, FRAEMRE

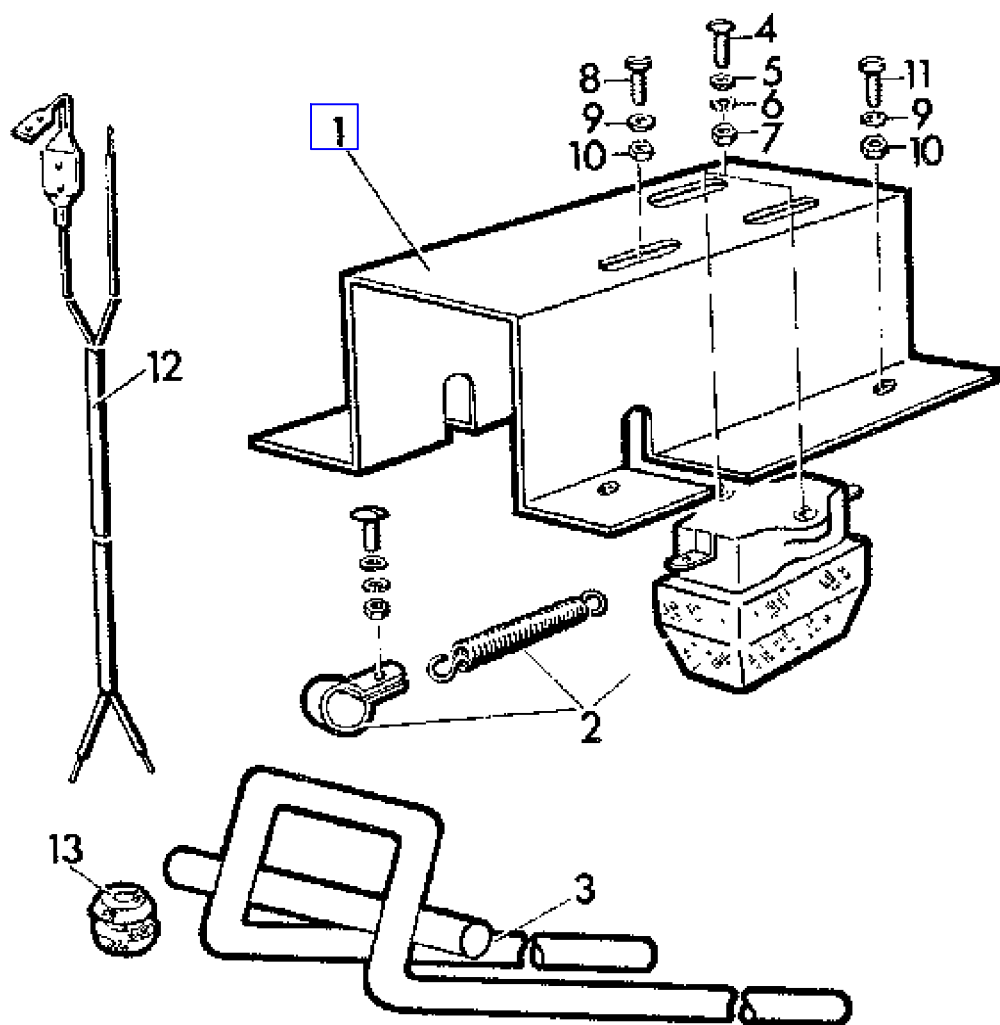


Z 55870

(2C25) STRAW WALKER WARNIN DEVICE,FRONT
 AVERTISSEUR DE BOURRAGE,AVANT
 STROHWARNANLAGE, VORN
 AVVISATORE DEGLI SCUOTIPAGLIA, AVANTI
 ALARMA PARA ATASCAMIENTOS DE PAJA DELANTERA
 HALMVARNINGSANLAEGGNING, FRAEMRE

KEY	PART NO.	PART NAME	QTY	SERIAL NO.	9 9 3 4 0 0	REMARKS
1	AZ19518	SWITCH	1		X	
2	Z21238	GROMMET	AR		X	
3	AZ19521	CABLE	1		X	INCL KEY 11
4	AZ19516	FLAP	1		X	
5	21M7031	SCREW	4		X	M6 X 15
6	12M7012	LOCK WASHER	4		X	6 MM
7	14M7027	NUT	4		X	M6
8	AZ19522	CABLE	1		X	INCL KEY 12
9	AZ19523	WIRING LEAD	1		X	
10	Z31553	HOLDER	1		X	
11	Z30963	ELECTRICAL PLUG	1		X	
12	Z30964	SOCKET OUTLET	1		X	

(2F24) STRAW WARNING DEVICE, REAR
AVERTISSEUR DE BOURRAGE (ARRIERE)
STROHWARNANLAGE (HINTEN)
AVVISATORE DEGLI SCUOTIPAGLIA (INDIETRO)
ALARMA PARA ATASCAMIENTOS DE PAJA (PARTE TRASERA)
HALMSKAKARNAS VARNINGSANLAEGGNING (BAKRE)

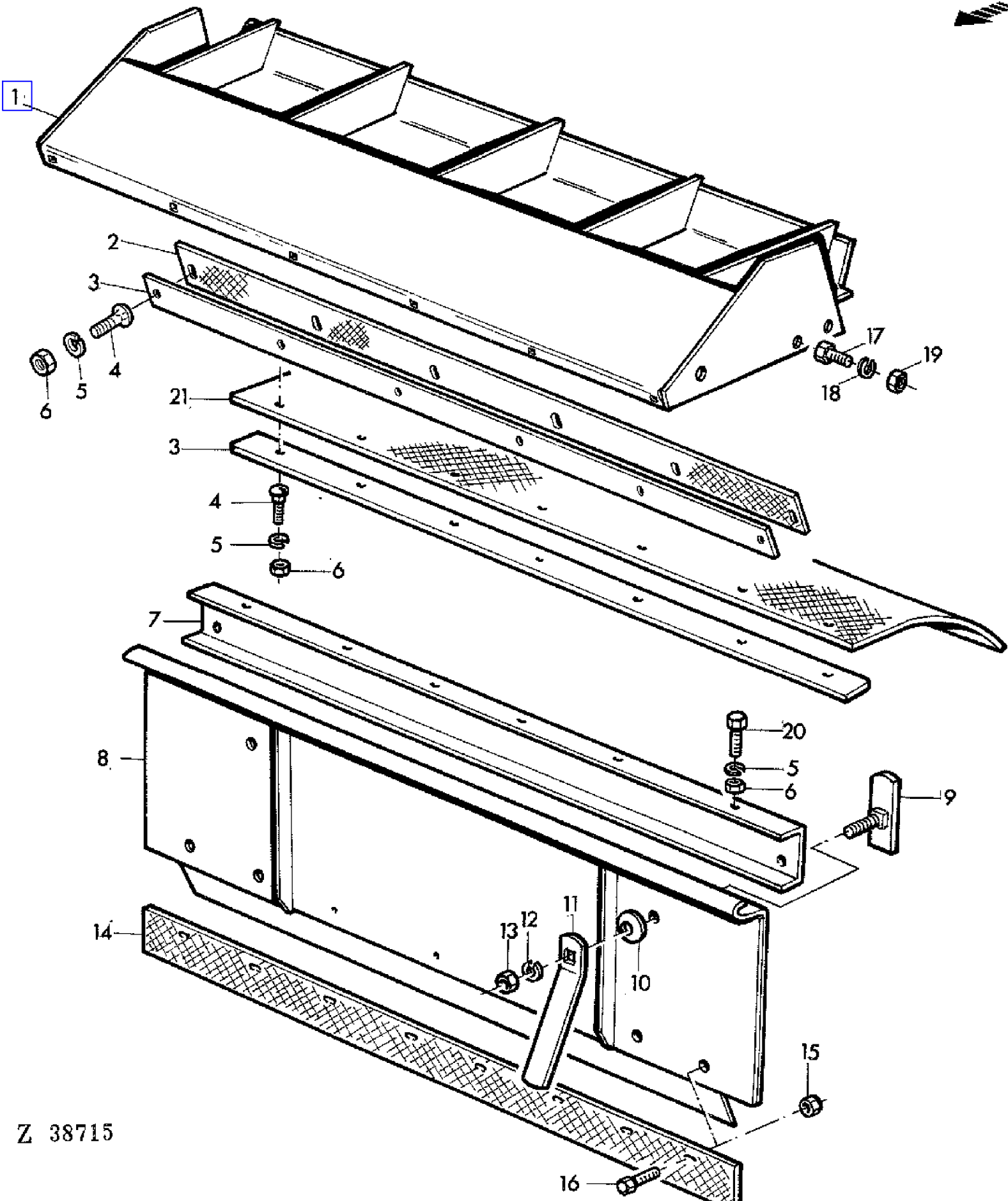


Z 55751

(2F24) STRAW WARNING DEVICE, REAR
 AVERTISSEUR DE BOURRAGE (ARRIERE)
 STROHWARNANLAGE (HINTEN)
 AVVISATORE DEGLI SCUOTIPAGLIA (INDIETRO)
 ALARMA PARA ATASCAMIENTOS DE PAJA (PARTE TRASERA)
 HALMSKAKARNAS VARNINGSANLAEGGNING (BAKRE)

KEY	PART NO.	PART NAME	QTY	SERIAL NO.	9 9 3 4 0 0	REMARKS
1	Z27239	CASE	1		X X	
2	AZ16014	SWITCH	1		X X	
3	AZ16015	HOLDER	1		X X	
4	21M7139	SCREW	2		X X	M4 X 20
5	24M7117	WASHER	2		X X	4,3 MM
6	12M7031	LOCK WASHER	2		X X	4 MM
7	14M7139	NUT	2		X X	M4
8	21M7127	SCREW	1		X X	M6 X 16
9	12M7012	LOCK WASHER	5		X X	6 MM
10	14M7027	NUT	5		X X	M6
11	21M7087	SCREW	4		X X	M6 X 12
12	AZ16421	WIRING HARNESS	1		X X	
13	Z21238	GROMMET	3		X X	

(2B24) STRONE TRAP/CYLINDER COVER
TRAPPE A PIERRES/PORTE DE VISITE DU BATTEUR
STEINFANGMULDE/DRESCHTROMMELKLAPPE
SPIETRATORE/COPERCHIO DEL BATTITORE
ATRAPA PIEDRAS/CUBIERTA DEL CILINDRO
STENFAELLA/CYLINDERLOCK



Z 38715

(2B24) STRONE TRAP/CYLINDER COVER
 TRAPPE A PIERRES/PORTE DE VISITE DU BATTEUR
 STEINFANGMULDE/DRESCHTROMMELKLAPPE
 SPIETRATORE/COPERCHIO DEL BATTITORE
 ATRAPA PIEDRAS/CUBIERTA DEL CILINDRO
 STENFAELLA/CYLINDERLOCK

KEY	PART NO.	PART NAME	QTY	SERIAL NO.	9 9 3 4 0 0	REMARKS
1	AZ21121	TROUGH	1		X X	(SUB FOR AZ19213)
2	Z20124	GASKET	1		X X	
3	Z20054	REINFORCEMENT	2		X X	
4	03M7068	BOLT	12		X X	M6 X 20
5	12M7012	LOCK WASHER	16		X X	6 MM
6	14M7027	NUT	16		X X	M6
7	Z30578	CHANNEL	1		X X	
8	AZ19210	COVER	1		X X	
9	AZ30541	LATCH	2		X X	(SUB FOR AZ19207)
10	Z22631	DISK SPRING	4		X X	(SUB FOR Z30588)
11	Z40799	LEVER	2		X X	(SUB FOR Z30569)
12	12M7014	LOCK WASHER	2		X X	12 MM
13	14M7001	NUT	2		X X	M12
14	Z30587	GASKET	1		X X	
15	14M7165	LOCK NUT	6		X X	M6
16	19M7375	CAP SCREW	6		X X	M6 X 18
17	19M7167	CAP SCREW	4		X X	M10 X 25
18	12M7013	LOCK WASHER	4		X X	10 MM
19	14M7140	NUT	4		X X	M10
20	19M7159	CAP SCREW	4		X X	M6 X 15
21	Z20122	GASKET	1		X X	

(1D08) SUN ROOF
PARASOL
SONNENDACH
PARASOLE
PARASOL
SOLTAK

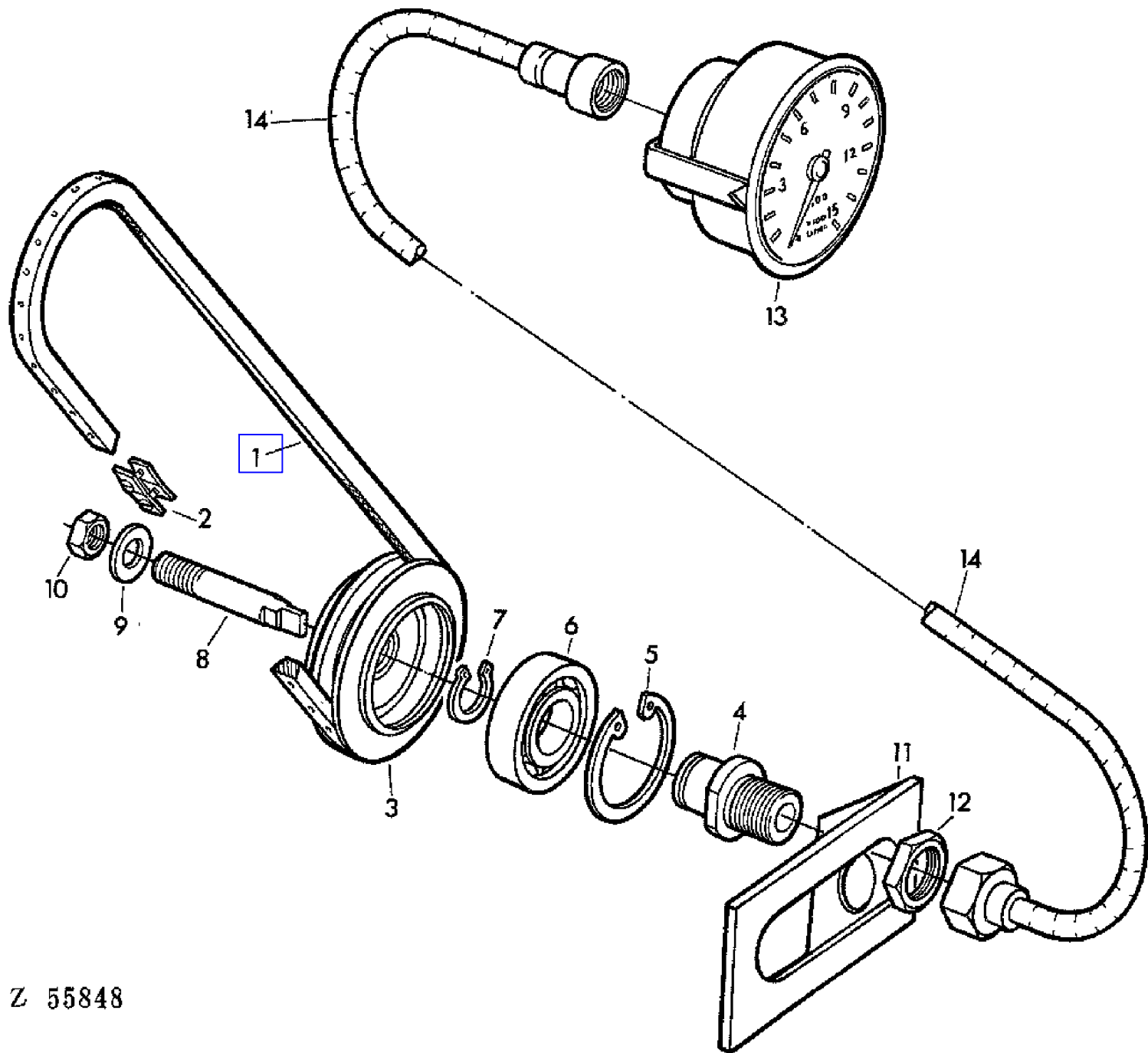


Z 58860

(1D08) SUN ROOF
PARASOL
SONNENDACH
PARASOLE
PARASOL
SOLTAK

KEY	PART NO.	PART NAME	QTY	SERIAL NO.	9 9 3 4 0 0	REMARKS
1	AZ31449	CANVAS	1		X X	(SUB FOR AZ16339)
2	Z27569	PIPE	2		X X	
3	AZ16340	PIPE	1		X X	
4	Z27565	PIPE	3		X X	
5	Z27564	CLAMP	6		X X	
6	21M7166	SCREW	6		X X	M8 X 40
7	12M7008	LOCK WASHER	14		X X	8 MM
8	14M7029	NUT	14		X X	M8
9	Z27563	CLAMP	4		X X	
10	Z27568	PLATE	4		X X	
11	03M7054	BOLT	8		X X	M8 X 20
12	19M7318	SCREW	4		X X	M6 X 30
13	14M7027	NUT	4		X X	M6

(2B07) TACHOMETER
COMPTE-TOURS OU TACHYMETRE
DREHZAHLMESSER
CONTAGIRI
TACOMETRO
VARVTALSRAEKNARE

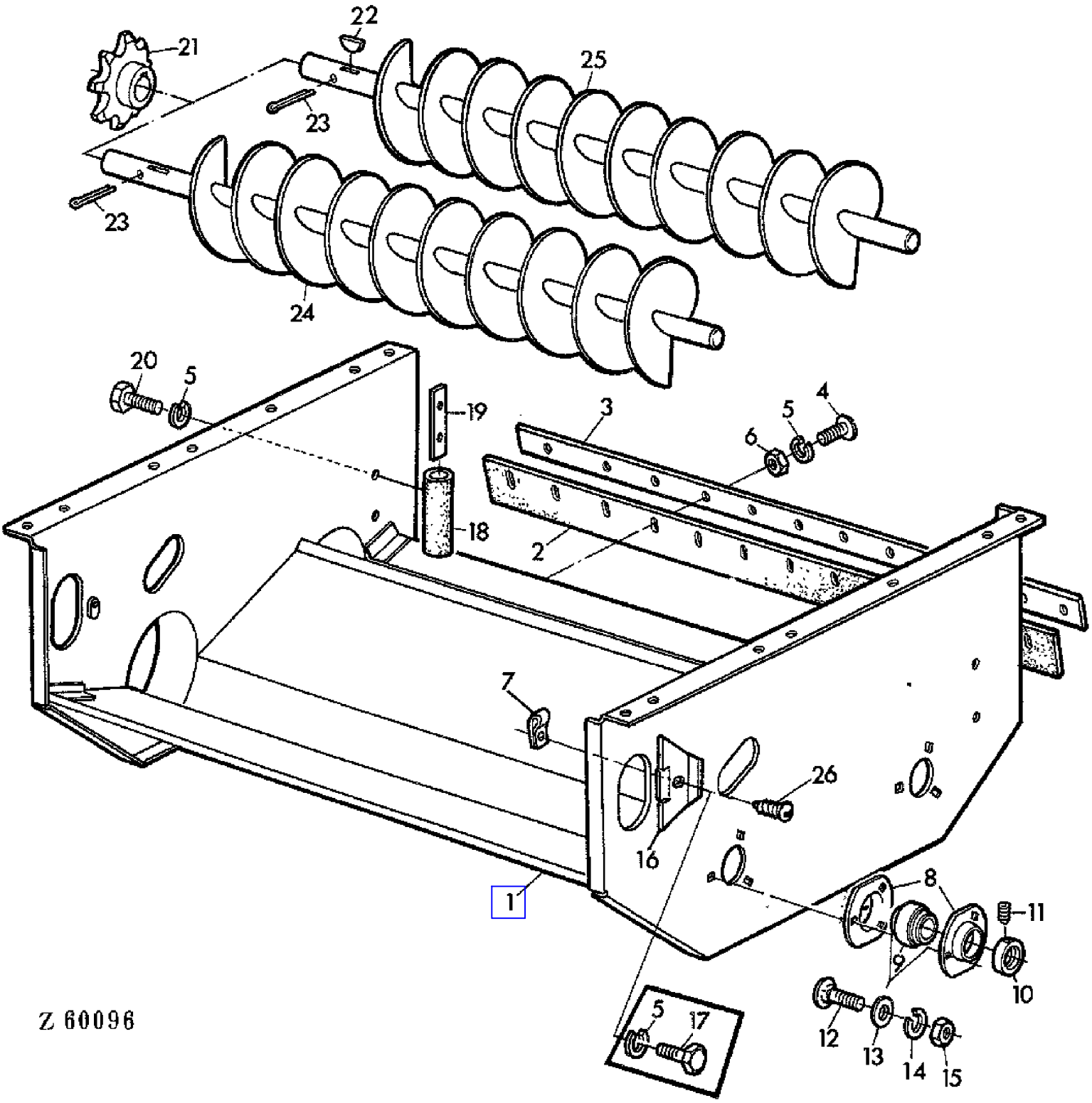


Z 55848

(2B07) TACHOMETER
 COMPTE-TOURS OU TACHYMETRE
 DREHZAHLMESSER
 CONTAGIRI
 TACOMETRO
 VARVTALSRAEKNARE

KEY	PART NO.	PART NAME	QTY	SERIAL NO.	9 9 3 4 0 0	REMARKS
1	Z31867	BELT	1		XX	
2	AZ20532	LINK	1		XX	
3	AZ18152	PULLEY	1		XX	
4	Z22793	BUSHING	1		XX	
5	40M1863	SNAP RING	1		XX	47 X 1,75 MM
6	JD30071	BALL BEARING	1		XX	
7	40M1825	SNAP RING	1		XX	20 X 1,2 MM
8	Z22794	SHAFT	1		XX	
9	24M7028	WASHER	1		XX	10,5 MM
10	14M7148	NUT	1		XX	M10 X 1
11	AZ18153	HOLDER	1		XX	
12	14M7161	NUT	1		XX	M22 X 1,5
13	AZ23047	TACHOMETER	1		XX	(SUB FOR AZ19589)
14	AZ19599	CABLE	1		XX	

(2D24) TAILINGS AND CLEAN GRAIN AUGER HOUSING
CARTER DES VIS SANS FIN D'OTONS ET DE GRAIN PROPRE
GEHAEUSE MIT KOERNER-UND UEBERKEHRSCHECKE
ALLOGGIAMENTO DELLA CODEA DEL GRANO E DEL RICUPERO
ALOJAMIENTO DEL SINFIN DE RETRILLA Y GRANO LIMPIO
HUS FOER RETUR -OCH SAEDESELEVATORN



Z 60096

(2D24) TAILINGS AND CLEAN GRAIN AUGER HOUSING

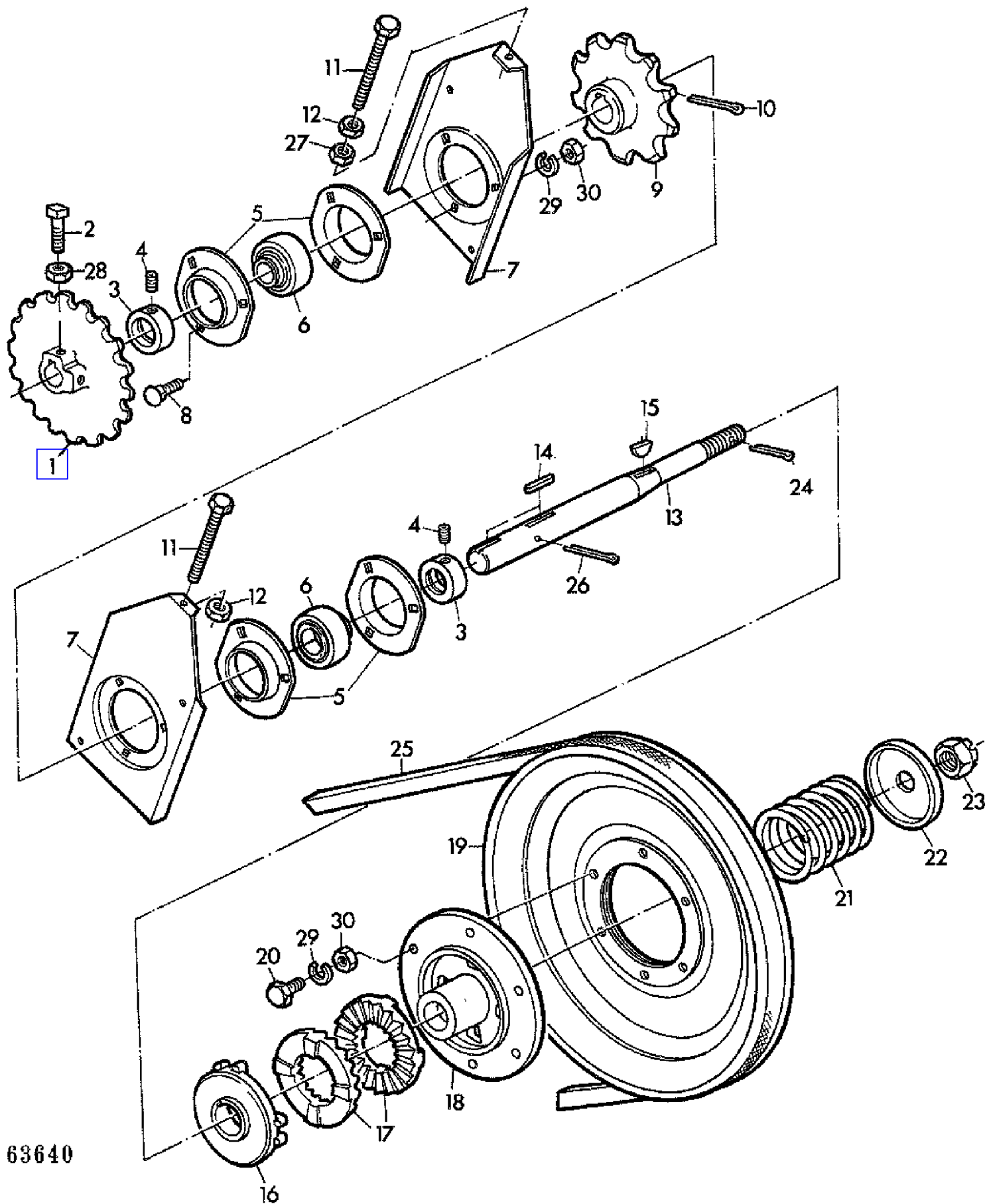
CARTER DES VIS SANS FIN D'OTONS ET DE GRAIN PROPRE
 GEHAEUSE MIT KOERNER-UND UEBERKEHRSCHECKE
 ALLOGGIAMENTO DELLA CODEA DEL GRANO E DEL RICUPERO
 ALOJAMIENTO DEL SINFIN DE RETRILLA Y GRANO LIMPIO
 HUS FOER RETUR -OCH SAEDESELEVATORN

KEY	PART NO.	PART NAME	QTY	SERIAL NO.	9 9 3 4 0 0	REMARKS
1	AZ10100	CASE	1		X	
	AZ10101	CASE	1		X	
2	Z20155	GASKET	1		X X	
3	Z35558	REINFORCEMENT	1		X X	(SUB FOR Z20156)
4	21M7031	SCREW	6		X X	M6 X 15
5	12M7012	LOCK WASHER	12		X X	6 MM
6	14M7027	NUT	6		X X	M6
7	Z20443	NUT	2		X X	AR
8	P47232	PRESSED FLANGED HOUSING	4		X X	
9	JD39105	BALL BEARING	2		X X	
10	AZ10044	ECCENTRIC LOCKING COLLAR	2		X X	ASSY, INCL KEY 11
11	AZ19843	SET SCREW	2		X X	KIT
12	03M7054	BOLT	6		X X	M8 X 20
13	24M7036	WASHER	6		X X	9 MM
14	12M7008	LOCK WASHER	6		X X	8 MM
15	14M7029	NUT	6		X X	M8
16	Z22335	FLAP	2		X X	
17	19M7302	CAP SCREW	2		X X	6 X 10 MM, AR
18	Z25904	HOSE	2		X X	
19	Z25903	STRAP	2		X X	
20	19M7159	CAP SCREW	4		X X	M6 X 15
21	Z10997	CHAIN SPROCKET	2		X X	Z = 8 (SUB FOR Z10032)
22	26M4228	SHAFT KEY	2		X X	8 X 11 MM
23	11M7025	COTTER PIN	2		X X	4 X 65 MM
24	AZ10103	AUGER	1		X X	(A) LOW
25	AZ10105	AUGER	1		X X	(B) LOW
26	37M7009	SCREW	2		X X	5,5 X 19 MM, AR

(A) LOWER GRAIN AUGER
 VIS A GRAIN INFERIEURE
 UNTERE KOERNERSCHNECKE
 COCLEA INFERIORE PER IL GRANO
 SINFIN DE GRANO LIMPIO INFERIOR
 NEDRE SAEDESELEVATOR

(B) LOWER TAILINGS AUGER
 VIS A OTONS INFERIEURE
 UNTERE UEBERKEHRSCHECKE
 COCLEA INFERIORE PER IL RECUPERO
 SINFIN DE RETRILLA INFERIOR
 NEDRE RETURELEVATOR

(2E10) TAILINGS AUGER AND ELEVATOR DRIVE
COMMANDE D'ELEVATEUR D'OTONS
UEBERKEHRELEVATOR-ANTRIEB
COMANDO DELL'ELEVATORE DEL RICUPERO
TRANSMISSION DEL ELEVADOR DE RETRILLA
RETURTRANSPORTOER OCH ELEVATORDRIVNING

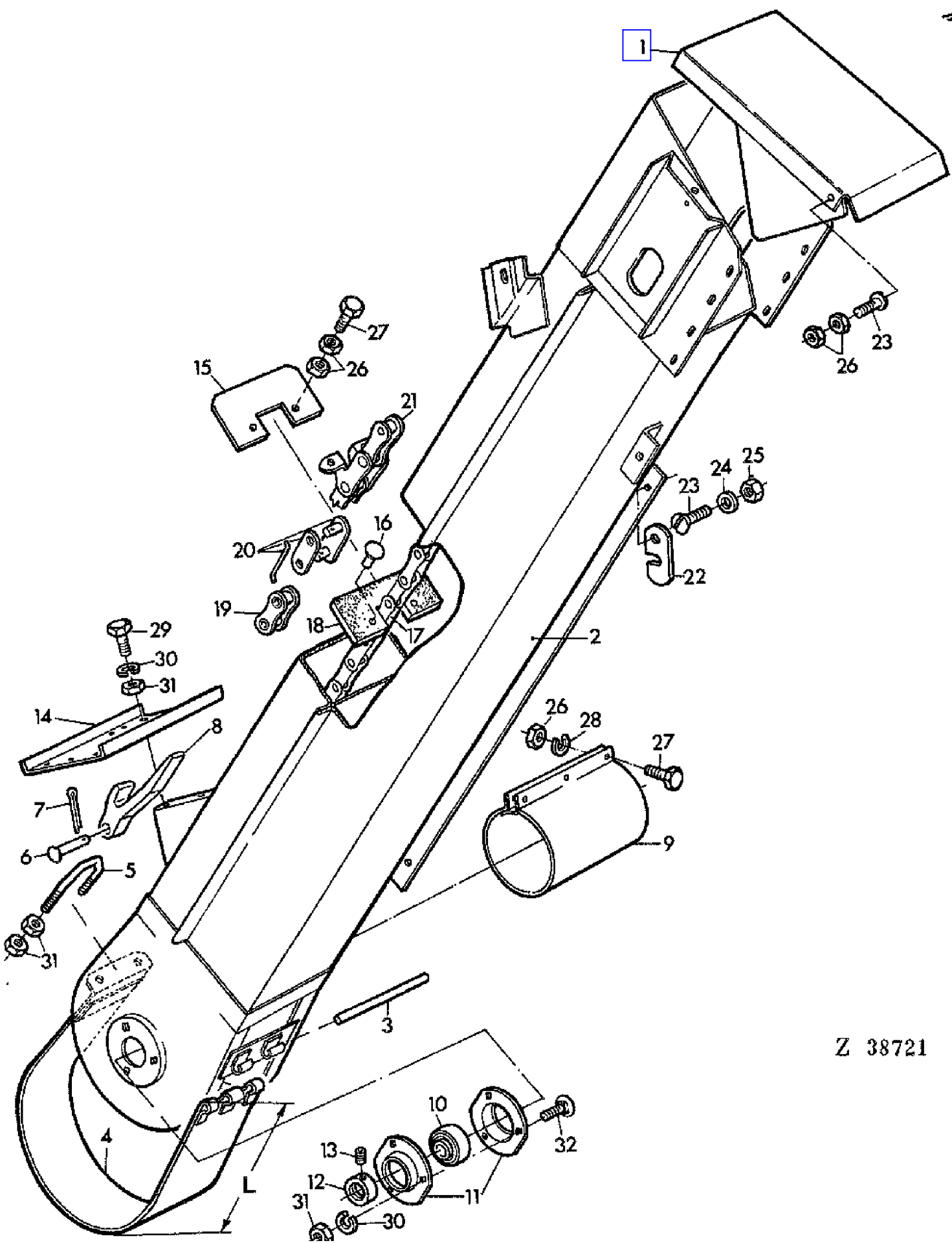


Z 63640

(2E10) TAILINGS AUGER AND ELEVATOR DRIVE
 COMMANDE D'ELEVATEUR D'OTONS
 UEBERKEHRELEVATOR-ANTRIEB
 COMANDO DELL'ELEVATORE DEL RICUPERO
 TRANSMISSION DEL ELEVADOR DE RETRILLA
 RETURTRANSPORTOER OCH ELEVATORDRIVNING

KEY	PART NO.	PART NAME	QTY	SERIAL NO.	9 9 3 4 0 0	REMARKS
1	Z10117	CHAIN SPROCKET	1		X X	Z = 16
2	Z26249	SET SCREW	2		X X	10 X 22 MM (SUB FOR Z23925)
3	AZ10044	ECCENTRIC LOCKING COLLAR	2		X X	ASSY, INCL KEY 4
4	AZ19843	SET SCREW	2		X X	KIT
5	P47232	PRESSED FLANGED HOUSING	4		X X	
6	JD39102	BALL BEARING	2		X X	
7	Z20601	BRACKET	2		X X	
8	03M7054	BOLT	6		X X	M8 X 20
9	Z10997	CHAIN SPROCKET	1		X X	Z = 8 (SUB FOR Z10032)
10	11M7025	COTTER PIN	1		X X	4 X 65 MM
11	19M7643	CAP SCREW	2		X X	M8 X 75 (SUB FOR Z20620)
12	14M7166	LOCK NUT	2		X X	M8
13	Z20733	SHAFT	1		X X	
14	49M4108	SHAFT KEY	2		X X	7 X 8 X 32 MM
15	26M4227	SHAFT KEY	1		X X	6 X 9 MM
16	Z10033	DRIVER	1		X X	
17	Z699H	SLIP CLUTCH	2		X X	
18	Z10030	HUB	1		X X	
19	AZ10389	PULLEY	1		X X	
20	19M7163	CAP SCREW	6		X X	M8 X 25
21	Z20555	COMPRESSION SPRING	1		X X	
22	Z20556	CAP	1		X X	
23	14M7186	NUT	1		X X	M18
24	11M7024	COTTER PIN	1		X X	4 X 40 MM
25	Z20743	BELT	1		X X	LGTH = 2210 MM
26	11M7017	COTTER PIN	1		X X	3 X 15 MM
27	14M7029	NUT	1		X X	M8
28	14M7152	NUT	2		X X	M10
29	12M7008	LOCK WASHER	12		X X	8 MM
30	14M7029	NUT	12		X X	M8

(2E08) TAILINGS ELEVATOR
ELEVATEUR D'OTONS
UEBERKEHRELEVATOR
ELEVATORE DEL RICUPERO
ELEVADOR DE RETRILLA
REUTELEVATOR

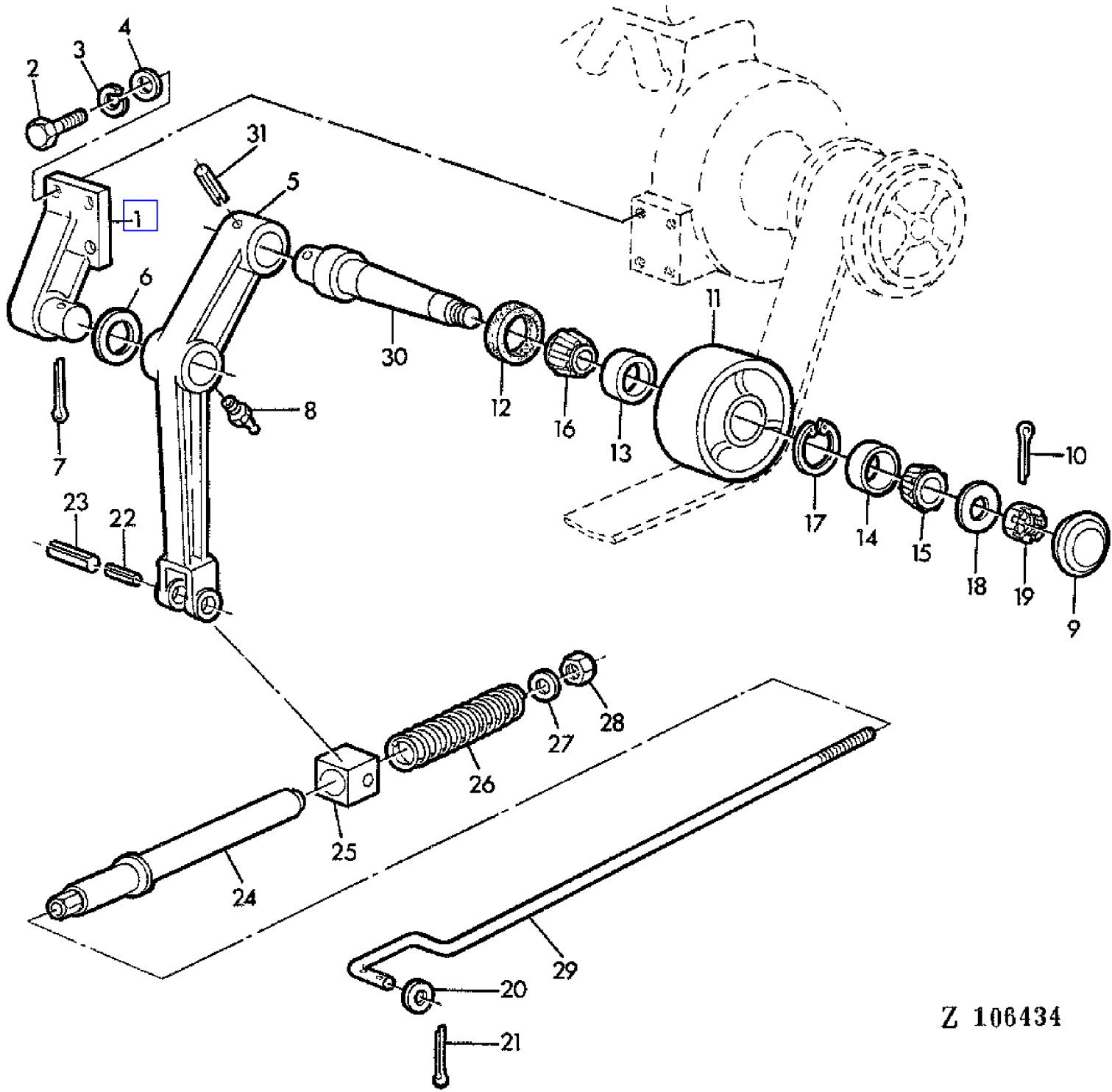


Z 38721

(2E08) TAILINGS ELEVATOR
ELEVATEUR D'OTONS
UEBERKEHRELEVATOR
ELEVATORE DEL RICUPERO
ELEVADOR DE RETRILLA
REUTELEVATOR

KEY	PART NO.	PART NAME	QTY	SERIAL NO.	9 9 3 4 0 0	REMARKS
1	AZ10312	COVER	1		X X	
2	AZ25452	CASE	1		X X	(ORD W/ AZ25445) (SUB FOR AZ15284)
3	Z20618	PIN	1		X X	
4	AZ25445	COVER	1		X X	AR, L = 150 MM
	AZ10314	COVER	1		X X	AR, L = 250 MM
5	Z20619	U-BOLT	1		X X	
6	Z21059	PIN	1		X X	
7	11M7009	COTTER PIN	1		X X	2 X 18 MM
8	Z11406	LEVER	1		X X	(SUB FOR H11360)
9	Z20740	PIPE	1		X X	
10	JD39102	BALL BEARING	1		X X	
11	P47232	PRESSED FLANGED HOUSING	2		X X	
12	AZ10044	ECCENTRIC LOCKING COLLAR	1		X X	ASSY, INCL KEY 13
13	AZ19843	SET SCREW	1		X X	KIT
14	Z20602	SHEET	1		X X	
15	Z20727	PADDLE	AR		X X	
16	Z20779	RIVET	40		X X	
17	AZ22348	LINK CHAIN	1		X X	ASSY, INCL KEYS 16,18-21 (SUB FOR AZ10369)
18	Z20780	PADDLE	20		X X	
19	AL15479	LINK	1		X X	
20	AL15481	CHAIN LINK	1		X X	
21	AL15480	LINK CHAIN	1		X X	
22	Z26179	BRACKET	1		X X	
23	21M7031	SCREW	3		X X	M6 X 15
24	24M7088	WASHER	2		X X	6,6 MM
25	14M7165	LOCK NUT	2		X X	M6
26	14M7027	NUT	19		X X	M6
27	19M7286	CAP SCREW	9		X X	M6 X 25
28	12M7012	LOCK WASHER	3		X X	6 MM
29	19M7139	CAP SCREW	8		X X	M8 X 20
30	12M7008	LOCK WASHER	11		X X	8 MM
31	14M7029	NUT	15		X X	M8
32	03M7090	BOLT	3		X X	M8 X 15

(2B05) TENSION PULLEY (SEPERATOR)
GALET TENDEUR (EMBRAYAGE BATTEUSE)
SPANNROLLE (DRESCHWERK)
PULEGGIA TENDITRICE (APPARATO TREBBIANTE)
POLEA TENSORA (SEPERADOR)
SPAENRULLE (SALLKASS)

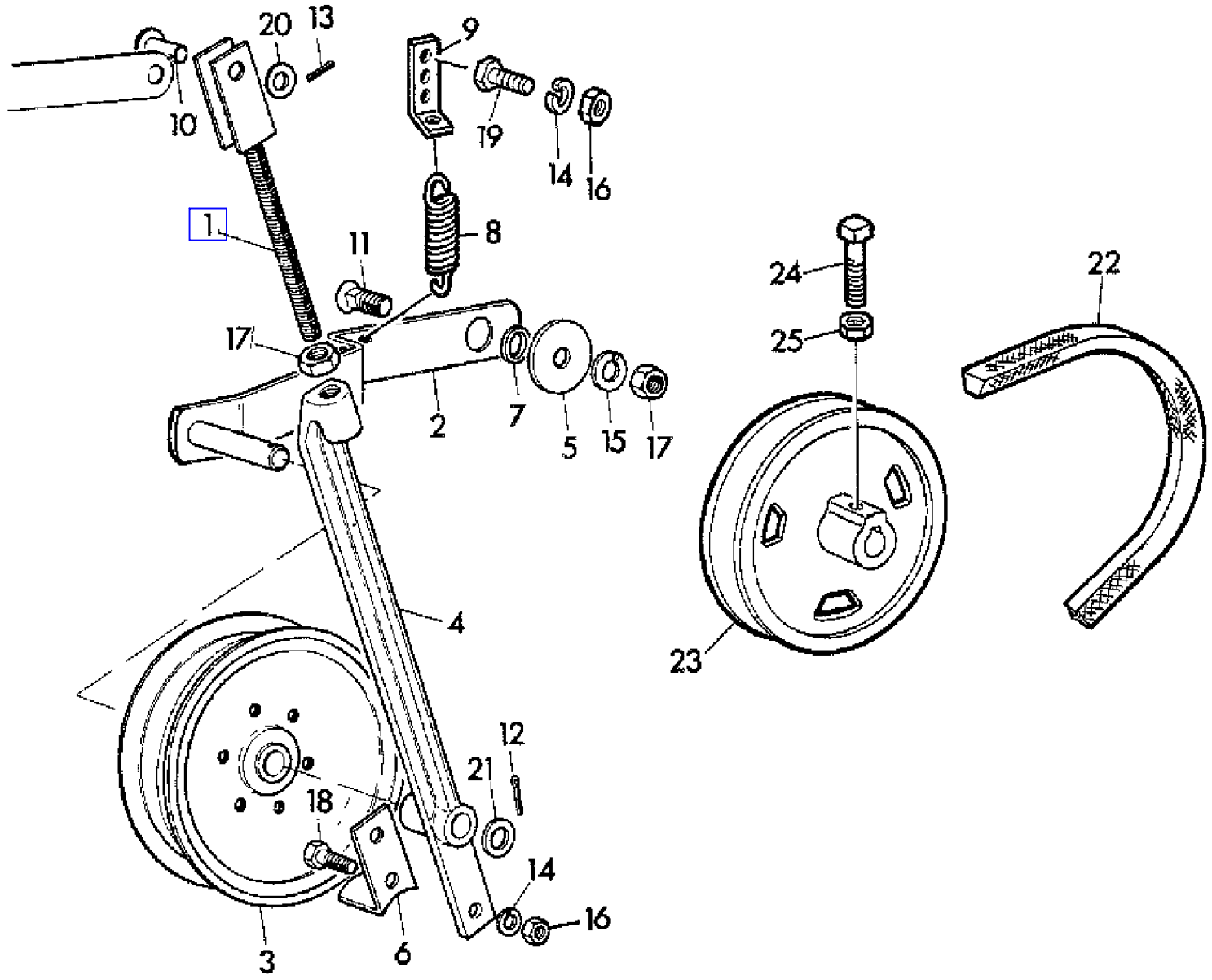


Z 106434

(2B05) TENSION PULLEY (SEPERATOR)
 GALET TENDEUR (EMBRAYAGE BATTEUSE)
 SPANNROLLE (DRESCHWERK)
 PULEGGIA TENDITRICE (APPARATO TREBBIANTE)
 POLEA TENSORA (SEPERADOR)
 SPAENRULLE (SALLKASS)

KEY	PART NO.	PART NAME	QTY	SERIAL NO.	9 3 0	9 4 0	REMARKS
1	AZ10722	BRACKET	1		X	X	
2	19M7268	CAP SCREW	4		X	X	M12 X 25
3	12M7014	LOCK WASHER	4		X	X	12 MM
4	24M7107	WASHER	4		X	X	
5	AZ20281	LEVER	1		X		ASSY, INCL KEY 30
	AZ20305	LEVER	1	- 941030	X		ASSY, INCL KEY 30
6	AZ21597	LEVER	1	941031 -	X		ASSY, INCL KEY 30
7	24M7092	WASHER	1		X	X	
	11M7022	COTTER PIN	1		X	X	
8	58M5573	LUBRICATION FITTING	1		X	X	
9	Z9769H	CAP	1		X	X	
10	11M7012	COTTER PIN	1		X	X	
11	Z10019	PULLEY	1		X	X	
12	AZ12211	SEAL	1		X	X	
13	JD8226	BEARING CUP	1		X	X	
14	JD8226	BEARING CUP	1		X	X	
15	JD8188	BEARING CONE	1		X	X	
16	JD8188	BEARING CONE	1		X	X	
17	40M1862	SNAP RING	1		X	X	45 X 1,75 MM
18	24M7053	WASHER	1		X	X	17 MM
19	14M7179	NUT	1		X	X	M16 X 1,5
20	24M7038	WASHER	2		X	X	
21	11M7014	COTTER PIN	1		X	X	
22	34M7030	SPRING PIN	2		X	X	5 X 20 MM
23	34M7061	SPRING PIN	2		X	X	8 X 20 MM
24	AZ12216	SLEEVE	1		X	X	
25	Z22110	GUIDE	1		X	X	
26	Z22116	SPRING	1		X	X	
27	24M7102	WASHER	1		X	X	14 MM
28	14M7031	NUT	2		X	X	M12
29	Z22117	ROD	1		X	X	
30	Z22109	SHAFT	1	- 941030	X		
	Z22109	SHAFT	1		X		
31	Z32696	EYELET	1	941031 -	X		
	34M7043	SPRING PIN	1		X	X	6 X 45 MM

(2A25) TENSION PULLEY FOR GRAIN FEEDER CONVEYOR
GALET TENDEUR POUR CONVOYEUR D'ALIMENTATION GRAIN
SPANNROLLE FUER GETREIDESCHRAEGFOERDERER
PULEGGIA TENDITRICE PER CONVOGLIATORE GRANO
POLEA TENSORA PARA ELEVADOR DE MIES GRANO
SPAENRULLE FOER INMAETNINGSELEVATOR-SAEED

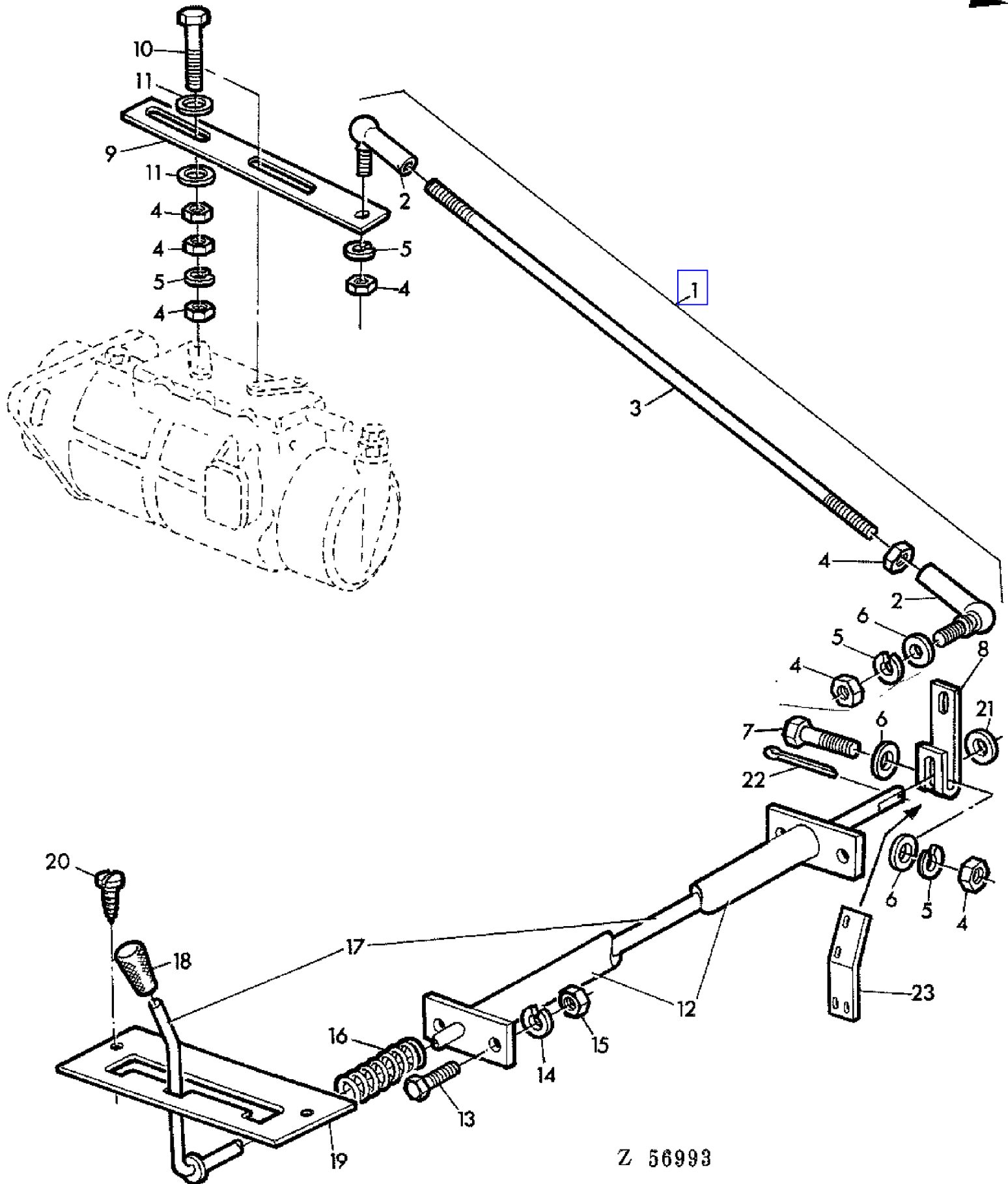


Z 55828

(2A25) TENSION PULLEY FOR GRAIN FEEDER CONVEYOR
 GALET TENDEUR POUR CONVOYEUR D'ALIMENTATION GRAIN
 SPANNROLLE FUER GETREIDESCHRAEGFOERDERER
 PULEGGIA TENDITRICE PER CONVOGLIATORE GRANO
 POLEA TENSORA PARA ELEVADOR DE MIES GRANO
 SPAENRULLE FOER INMAETNINGSELEVATOR-SAED

KEY	PART NO.	PART NAME	QTY	SERIAL NO.	9 9 3 4 0 0	REMARKS
1	AZ10956	ADJUSTER	1		XX	
2	AZ10957	LEVER	1		XX	
3	AN30569	IDLER	1		XX	
4	Z10219	BRACKET	1		XX	
5	Z21609	WASHER	1		XX	
6	Z21892	STRAP	1		XX	
7	Z21913	WASHER	1		XX	
8	Z22925	EXTENSION SPRING	1		XX	
9	Z24770	HOLDER	1		XX	
10	Z24489	PIN	1		XX	
11	03M7089	BOLT	1		XX	M12 X 30
12	11M7014	COTTER PIN	1		XX	3 X 25 MM
13	11M7019	COTTER PIN	1		XX	4 X 20 MM
14	12M7008	LOCK WASHER	2		XX	8 MM
15	12M7014	LOCK WASHER	2		XX	M12
16	14M7029	NUT	1		XX	M8
17	14M7031	NUT	1		XX	M12
18	19M7139	CAP SCREW	1		XX	M8 X 20
19	19M7162	CAP SCREW	1		XX	M8 X 15
20	24M7043	WASHER	1		XX	12 MM
21	24M7053	WASHER	1		XX	17 MM
22	Z21501	BELT	1		XX	
23	AZ19867	PULLEY	1		XX	INCL KEYS 24,25
24	Z26249	SET SCREW	1		XX	10 X 22 MM (SUB FOR Z23925)
25	14M7140	NUT	1		XX	M10

(1B24) THROTTLE AND ENGINE CUT-OFF LINKAGE
ETRANGLEMENT ET TRINGLERIE D'OPERATION DES FREINS
GAS- UND STOPPGESTAENGE
LEVERAGGI ACCELERATORE E ARRESTO MOTORE
VARILLAJE DE PARADE Y ACELERACION DEL MOTOR
GAS- OCH STOPPREGLAGE FOER MOTORN

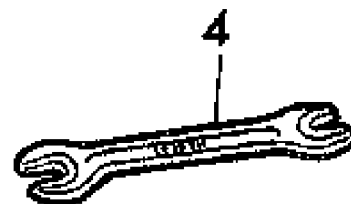
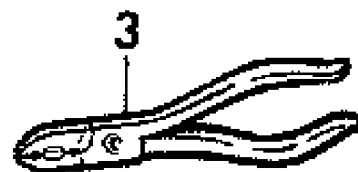
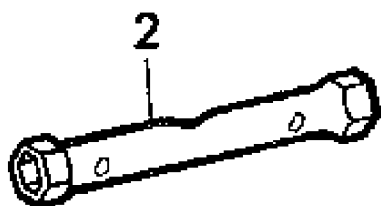
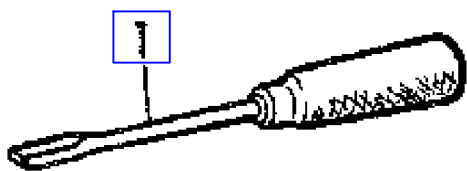


Z 56993

(1B24) THROTTLE AND ENGINE CUT-OFF LINKAGE
 ETRANGLEMENT ET TRINGLERIE D'OPERATION DES FREINS
 GAS- UND STOPPGESTAENGE
 LEVERAGGI ACCELERATORE E ARRESTO MOTORE
 VARILLAJE DE PARADE Y ACELERACION DEL MOTOR
 GAS- OCH STOPPREGLAGE FOER MOTORN

KEY	PART NO.	PART NAME	QTY	SERIAL NO.	9 9 3 4 0 0	REMARKS
1	AZ20611	ROD	1		X	ASSY, INCL KEYS 2-4
	AZ17253	ROD	1		X	ASSY, INCL KEYS 2-4
2	AZ17982	BALL JOINT	2		X X	ASSY, INCL KEY 4
3	Z24137	STUD	1		X	LGTH = 340 MM
	Z28616	STUD	1		X	LGTH = 395 MM
4	14M7027	NUT	10		X X	M6
5	12M7012	LOCK WASHER	5		X X	6 MM
6	24M7088	WASHER	3		X X	7 MM
7	19M7160	CAP SCREW	1		X X	M6 X 30
8	Z31935	LEVER	1		X X	
9	Z31936	STRAP	1		X X	
10	19M7580	CAP SCREW	2		X X	M6 X 28
11	Z26250	WASHER	4		X X	6,5 MM
12	AZ20608	BRACE	1		X X	
13	19M7162	CAP SCREW	4		X X	M8 X 15
14	12M7006	LOCK WASHER	4		X X	8 MM
15	14M7029	NUT	4		X X	M8
16	Z23621	COMPRESSION SPRING	1		X X	
17	AZ13577	LEVER	1		X X	
18	Z26175	KNOB	1		X X	
19	Z31932	PLATE	AR		X X	
20	37M7009	SCREW	AR		X X	5,5 X 19 MM
21	24M7040	WASHER	1		X X	11 MM
22	11M7011	COTTER PIN	1		X X	M3 X 15
23	Z22700	HOLDER	1		X X	

(2H15) TOOLS
OUTILS
WERKZEUGE
ATTREZZI
HERRAMIENTAS
VERKTYG

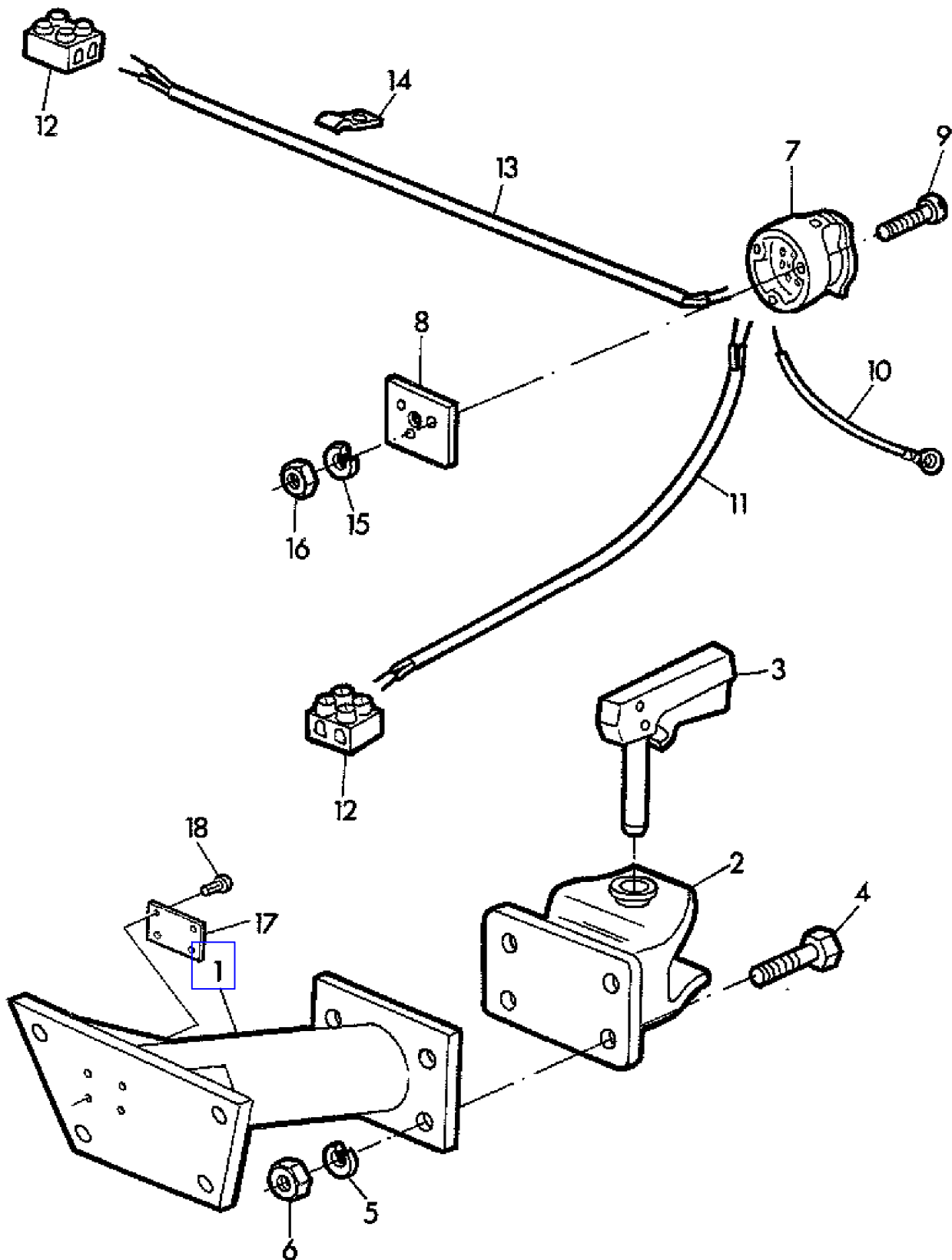


Z 38724

(2H15) TOOLS
OUTILS
WERKZEUGE
ATTREZZI
HERRAMIENTAS
VERKTYG

KEY	PART NO.	PART NAME	QTY	SERIAL NO.	9 9 3 4 0 0	REMARKS
1	AZ12802	SCREWDRIVER	1		X X	A1
2	31M5217	TOOL	1		X X	19 X 22 (SUB FOR Z23099)
3	AZ12801	TOOL	1		X X	LGTH = 160 MM
4	31M6768	WRENCH	1		X X	10 X 13 (SUB FOR Z23105)
	31M5223	WRENCH	1		X X	14 X 17 (SUB FOR Z23104)
	31M5224	WRENCH	1		X X	17 X 19 (SUB FOR Z23103)
	31M5226	WRENCH	1		X X	19 X 24 (SUB FOR Z23102)
	31M5228	WRENCH	1		X X	24 X 27 (SUB FOR Z23101)
	31M6439	WRENCH	1		X X	30 X 36 (SUB FOR Z23100)

(2H02) TRAILER DRAWBAR/SOCKET
CROCHET DE REMORQUE/PRISE DE COURANT
ANHAENGEBOCK/STECKDOSE
ATTACCO PER IL TRAINO
BARRA DE TRIO DEL REMOLQUE
DRAGSTANG/STICKKONTAKT

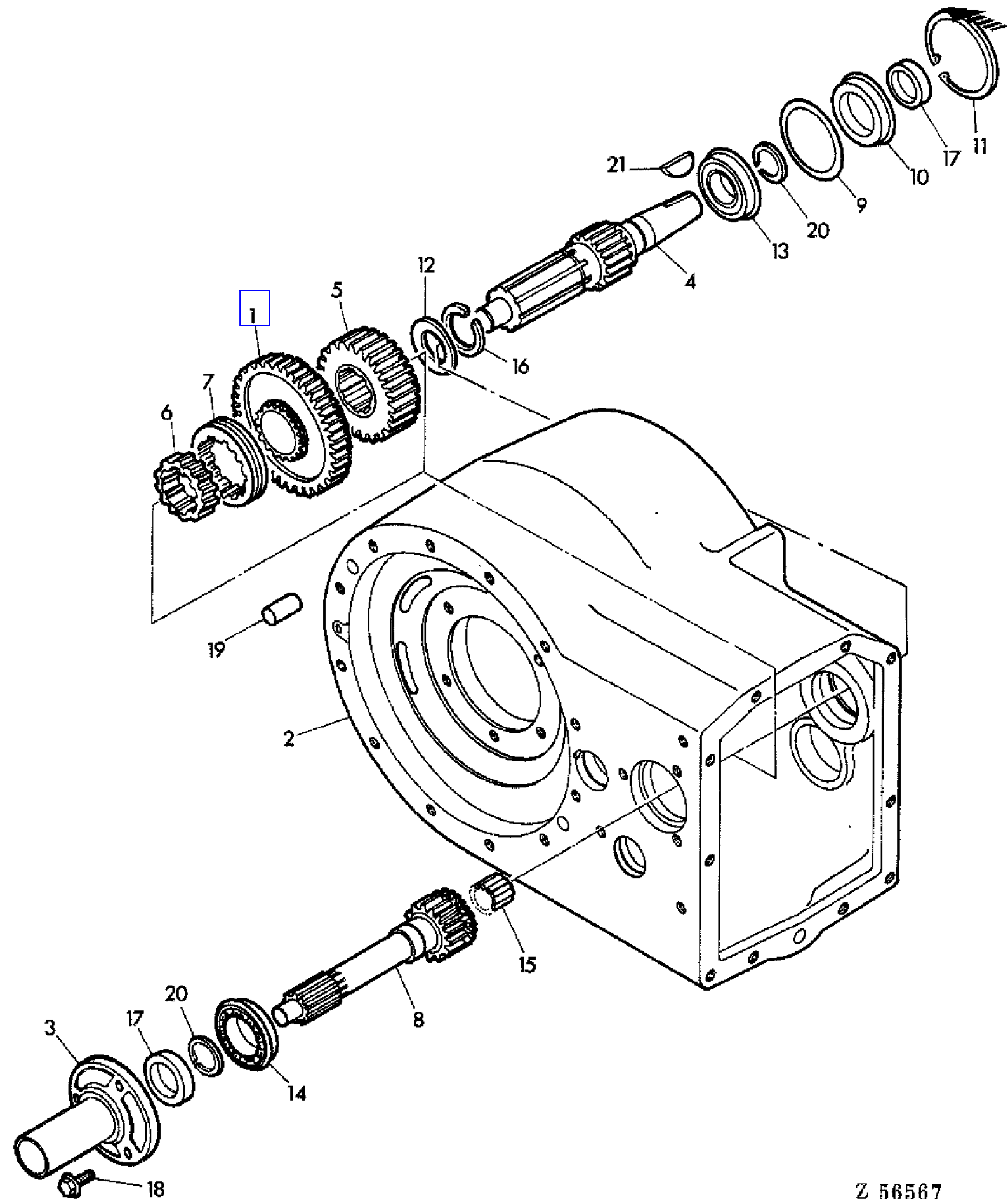


Z 60088

(2H02) TRAILER DRAWBAR/SOCKET
 CROCHET DE REMORQUE/PRISE DE COURANT
 ANHAENGEBOCK/STECKDOSE
 ATTACCO PER IL TRAINO
 BARRA DE TRIO DEL REMOLQUE
 DRAGSTANG/STICKKONTAKT

KEY	PART NO.	PART NAME	QTY	SERIAL NO.	9 9 3 4 0 0	REMARKS
1	AZ20350	BRACKET	1		XX	
2	AZ15018	HITCH	1		XX	
3	AZ15017	PIN	1		XX	
4	19M7403	CAP SCREW	8		XX	M12 X 35
5	12M7014	LOCK WASHER	8		XX	12 MM
6	14M7031	NUT	8		XX	M12
7	AZ13378	SOCKET OUTLET	1		XX	
8	Z22587	PLATE	1		XX	
9	21M7124	SCREW	3		XX	M5 X 35
10	AZ13746	CABLE	1		XX	
11	AZ14992	CABLE	1		XX	
12	AZ15003	CONNECTOR	2		XX	
13	AZ14993	CABLE	1		XX	
14	Z22588	CLAMP	2		XX	
15	12M7011	LOCK WASHER	3		XX	5 MM
16	14M7028	NUT	3		XX	M5
17	Z32150	BRACKET	1		XX	
18	25M3826	GROOVE PIN	4		XX	3 X 6 MM

(1A22) TRANSMISSION CASE-CLUTCH SHAFT-MAIN SHAFT
CARTER DE TRANSMISSION-ARBRE D'EMBRAYAGE-ARBRE PRIMAIRE
GETRIEBEGEHAEUSE-KUPPLUNGSWELLE-HAUPTWELLE
CASSA TRANSMISSIONE-ALBERO DELLA FRIZIONE-ALBERO PRIMARIO
CAJA DE TRANSMISION-EJE DE EMBRAGUE-EJE PRINCIPAL
TRANSMISSIONSHUS-KOPPLINGSAXEL-HUVUDAXEL

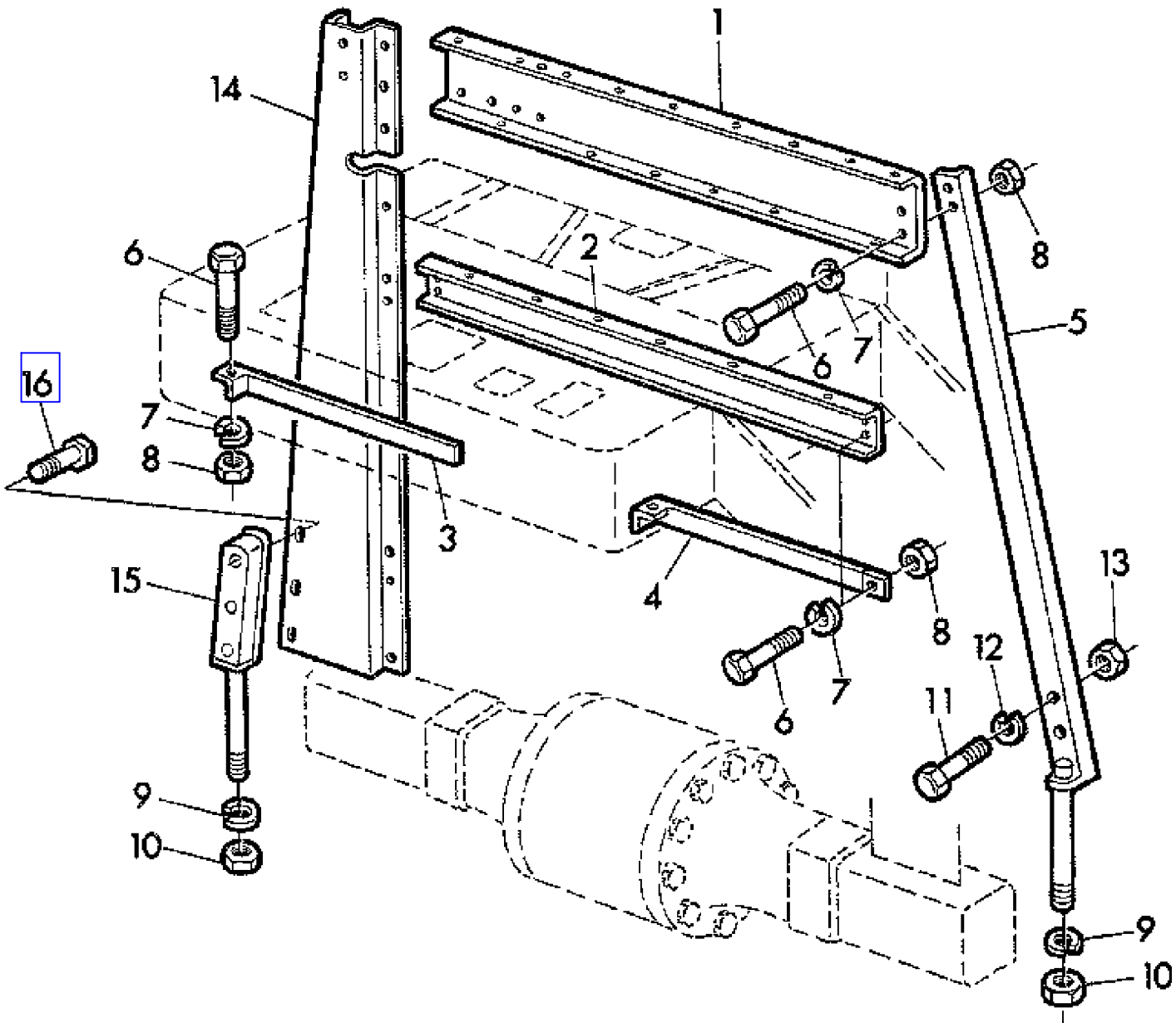


Z 56567

(1A22) TRANSMISSION CASE-CLUTCH SHAFT-MAIN SHAFT
 CARTER DE TRANSMISSION-ARBRE D'EMBRAYAGE-ARBRE PRIMAIRE
 GETRIEBEGEHAEUSE-KUPPLUNGSWELLE-HAUPTWELLE
 CASSA TRANSMISSIONE-ALBERO DELLA FRIZIONE-ALBERO PRIMARIO
 CAJA DE TRANSMISION-EJE DE EMBRAGUE-EJE PRINCIPAL
 TRANSMISSIONSHUS-KOPPLINGSAXEL-HUVUDAXEL

KEY	PART NO.	PART NAME	QTY	SERIAL NO.	9 9 3 4 0 0	REMARKS
1	AZ14257	PINION	1		XX	
2	Z10331	TRANSMISSION CASE	1		XX	
3	Z10336	HUB	1		XX	
4	Z24554	PINION SHAFT	1		XX	
5	Z24556	GEAR	1		XX	
6	Z24559	GEAR	1		XX	
7	L29283	SHIFT COLLAR	1		XX	(SUB FOR Z24560)
8	Z24561	PINION SHAFT	1		XX	
9	H64810	O-RING	1		XX	(SUB FOR Z24571)
10	Z24572	PACKING	1		XX	
11	Z24573	SNAP RING	1		XX	
12	Z29187	WASHER	AR		XX	
13	JD39122	BALL BEARING	1		XX	
14	JD7199	BALL BEARING	1		XX	
15	JD9837	NEEDLE BEARING	1		XX	
16	T19242	SNAP RING	1		XX	
17	T22069	SEAL	2		XX	
18	T22728	SCREW	3		XX	
19	A120R	DOWEL PIN	4		XX	
20	M2353T	SNAP RING	2		XX	
21	26H23	SHAFT KEY	1		XX	

(1C07) TRAVERSE BRACKET AND SUPPORTS
FIXATION DE TRAVERSE ET SUPPORT
QUERTRAEGER UND ABSTUETZUNGEN
STAFFE E SUPPORTI TRASVERSALI
CABALLETE TRANSVERSAL Y SOPORTES
TVAERPLATTA OCH FAESTEN

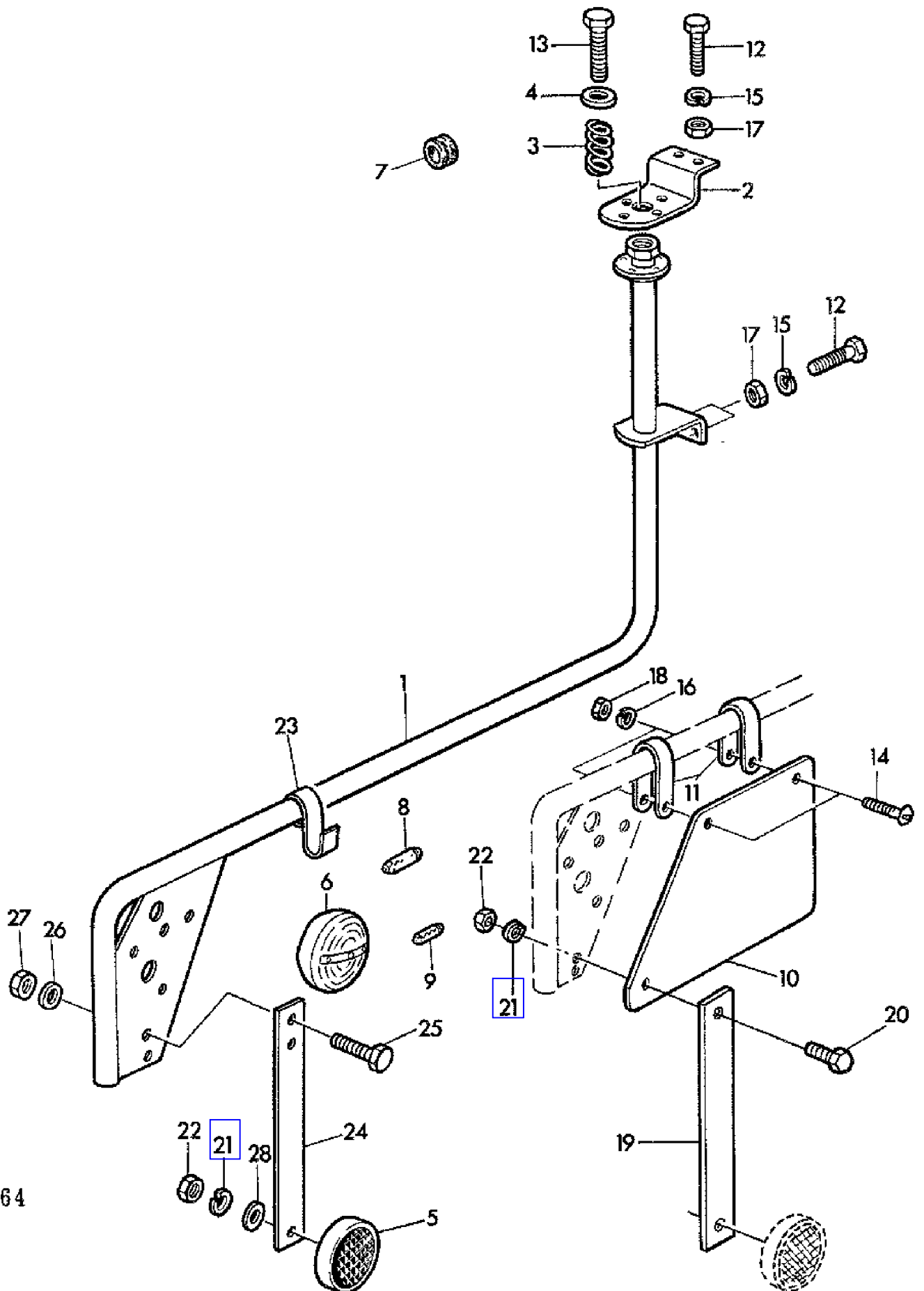


Z 56841

(1C07) TRAVERSE BRACKET AND SUPPORTS
 FIXATION DE TRAVERSE ET SUPPORT
 QUERTRAEGER UND ABSTUETZUNGEN
 STAFFE E SUPPORTI TRASVERSALI
 CABALLETE TRANSVERSAL Y SOPORTES
 TVAERPLATTA OCH FAESTEN

KEY	PART NO.	PART NAME	QTY	SERIAL NO.	9 9 3 4 0 0	REMARKS
1	Z21707	CHANNEL	1		X X	
2	Z30578	CHANNEL	1		X X	
3	Z32787	BRACE	1		X X	RH (SUB FOR Z24497)
4	Z32787	BRACE	1		X X	LH (SUB FOR Z24498)
5	AZ14826	BRACE	1		X	LH
	AZ14826	BRACE	1	- 941030	X	LH
6	AZ21176	BRACE	1	941031 -	X	LH
7	19M7168	CAP SCREW	14		X X	M10 X 30
7	12M7013	LOCK WASHER	14		X X	10 MM
8	14M7140	NUT	14		X X	M10
9	12M7039	LOCK WASHER	2		X X	20 MM
10	14M7144	NUT	2		X X	M20
11	19M5827	CAP SCREW	2		X X	M14 X 30
12	12M7009	LOCK WASHER	2		X X	14 MM
13	14M7141	NUT	2		X X	M14
14	Z28831	REINFORCEMENT	1		X X	RH
15	Z10625	HOLDER	1		X	RH
	Z10625	HOLDER	1	- 941030	X	RH
16	Z10827	HOLDER	1	941031 -	X	RH
	19M7171	CAP SCREW	3		X X	M12 X 35

(1D21) TURN SIGNAL AND TAIL LIGHTS
FEUX CLIGNOTANTS ET ARRIERE
BLINK UND SCHLUSSLEUCHTEN
LAMPEGGIATORI E LUCI POSTERIORI
LUCES INTERMITENTES Y PILOTOS
BLINKERS OCH BAKLJUS



Z 58864

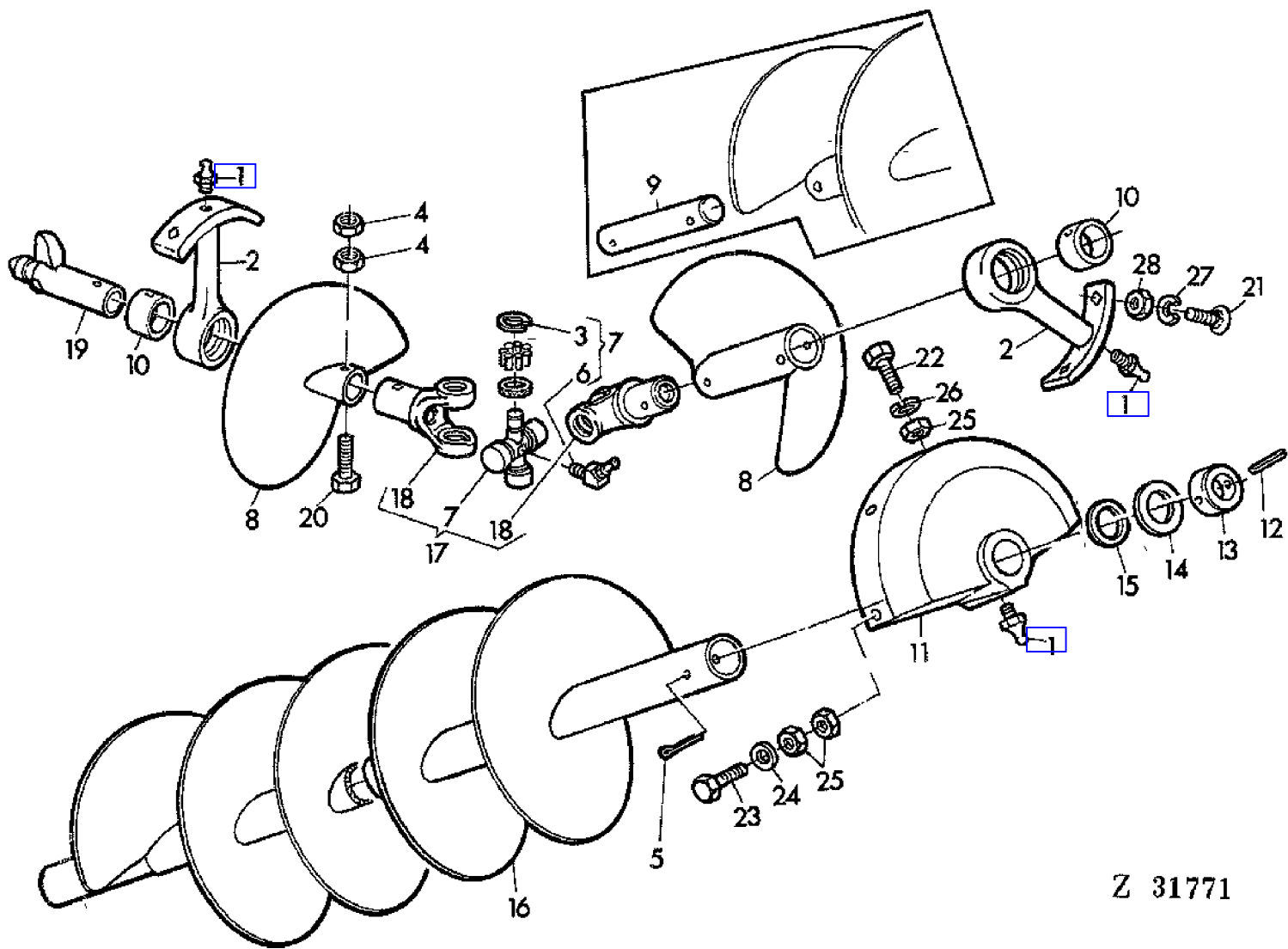
(1D21) TURN SIGNAL AND TAIL LIGHTS
FEUX CLIGNOTANTS ET ARRIERE
BLINK UND SCHLUSSLEUCHTEN
LAMPEGGIATORI E LUCI POSTERIORI
LUCES INTERMITENTES Y PILOTOS
BLINKERS OCH BAKLJUS

KEY	PART NO.	PART NAME	QTY	SERIAL NO.	9 9 3 4 0 0	REMARKS
1	AZ22987 AZ22988 AZ23114	BRACKET BRACKET BRACKET	2 2 2		X X X	(SUB FOR AZ12141) (A) 10', LH (SUB FOR AZ21333) (SUB FOR AZ12242)
2	AZ22990 Z22215 Z23089	BRACKET ARRESTOR ARRESTOR	2 2 2		X X X X X	(A) 10', LH (SUB FOR AZ13967) (B)
3	Z24302	COMPRESSION SPRING	2		X X	
4	24M7101	WASHER	2		X X	11,5 MM
5	99M6488	REFLECTOR	2		X X	INCL KEY 29,30
6	AL15769	TAIL LAMP	2		X X	
7	AL15770 Z21238	TAIL LAMP GROMMET	2 2		X X X X	(A) LH
8	57M6275	BULB	2		X X	
9	57M6274	BULB	2		X X	
10	Z34124	PLATE	1		X X	(A) (SUB FOR Z24048)
11	Z22568	CLAMP	2		X X	(A)
12	19M7139	CAP SCREW	8		X X	M8 X 20
13	19M7168	CAP SCREW	2		X X	M10 X 30
14	21M7141	SCREW	2		X X	(A) M5 X 20
15	12M7008	LOCK WASHER	8		X X	8 MM
16	12M7011	LOCK WASHER	2		X X	(A) 5 MM
17	14M7029	NUT	8		X X	M8
18	14M7028	NUT	2		X X	(A) M5
19	Z23547	HOLDER	2		X X	(A)
20	19M7159	CAP SCREW	2		X X	(A) M6 X 16
21	12M7012	LOCK WASHER	4		X X	(A) 6 MM
22	14M7027	NUT	4		X X	(A) M6
23	Z34123	HOOK	2		X X	
24	Z34122	STRAP	2		X X	
25	19M7284	CAP SCREW	2		X X	M8 X 18
26	24M7036	WASHER	2		X X	9 MM
27	14M7166	LOCK NUT	2		X X	M8
28	24M7088	WASHER	2		X X	6,6 MM

(A) FOR FRANCE, AUSTRIA AND SCANDINAVIA
POUR LA FRANCE, L'AUTRICHE ET LA SCANDINAVIE
FUER FRANKREICH, OESTERREICH UND SKANDINAVIEN
PER FRANCIA, AUSTRIA E I PAESI SCANDINAVI
PARA FRANCIA, AUSTRIA Y ESCANDINAVIA
FOER FRANKRIKE, OESTERRIKE OCH SKANDINAVIEN

(B) FOR STRAW SPREADER
POUR EPARPILLEUR DE PAILLE
FUER STROH STREUER
PER LANCIA PAGLIA ELEMENTO
PARA EXTENDEDORA DE PAJA
FOER HALMSPRIDARE

(2F07) UNLOADING AUGER
VIS DE DECHARGE
AUSLAUFSCHNECKE
COCLEA DI SCARICO
SIN FIN DE DESCARGA
AVLASTNINGSSKRUV



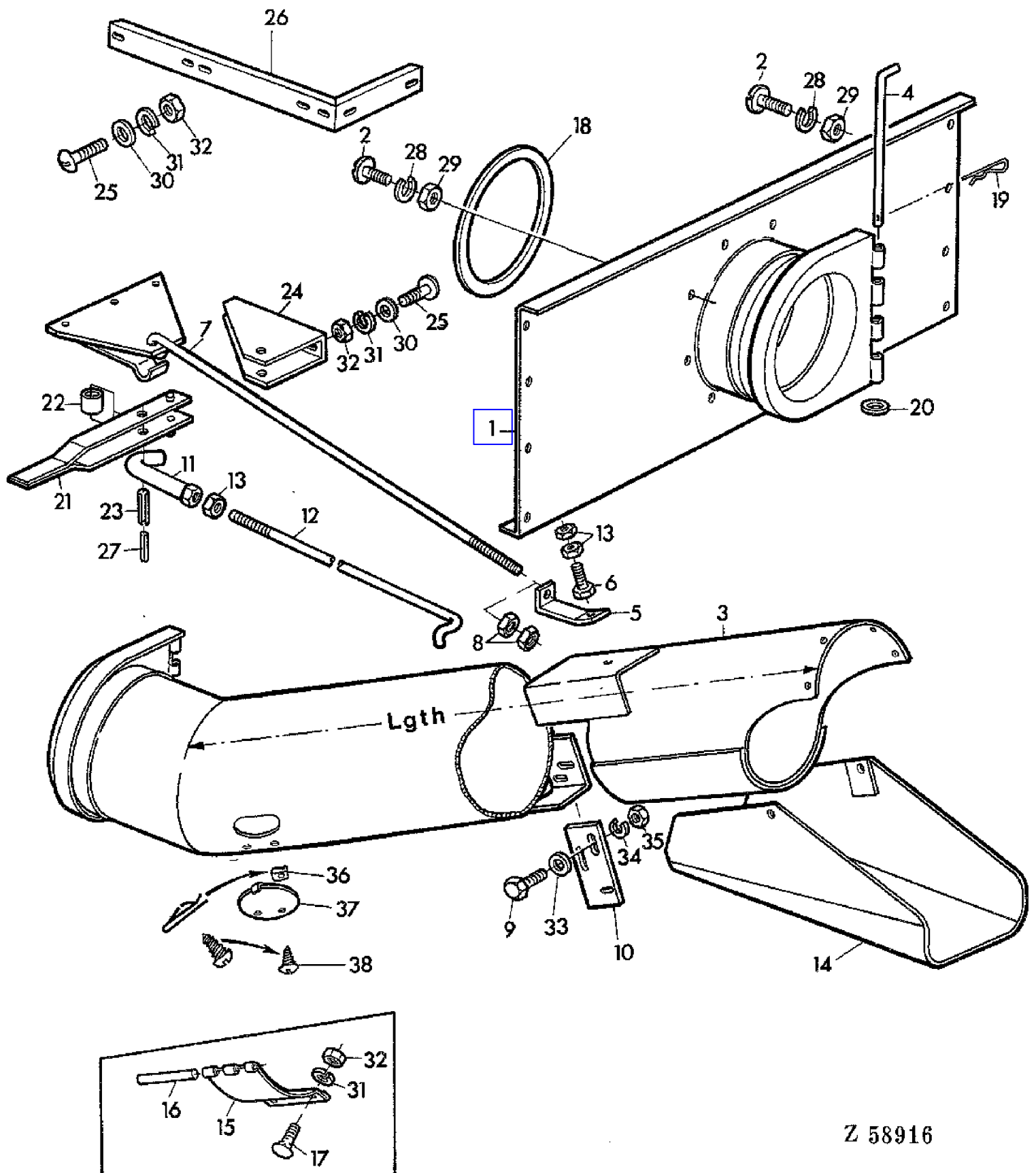
Z 31771

(2F07) UNLOADING AUGER
VIS DE DECHARGE
AUSLAUFSCHNECKE
COCLEA DI SCARICO
SIN FIN DE DESCARGA
AVLASTNINGSSKRUV

KEY	PART NO.	PART NAME	QTY	SERIAL NO.	9 3 0	9 4 0	REMARKS
1	58M5574	LUBRICATION FITTING	3				
2	AZ10538	BRACKET	2				ASSY, INCL KEY 10
3	L23948	SNAP RING	4				
4	14M7167	LOCK NUT	6				M10
5	11M7041	COTTER PIN	1				8 X 60 MM
6	58M5577	LUBRICATION FITTING	1				
7	AL20182	CROSS AND BEARING ASSEMBLY	1				ASSY
8	AZ15687	FLIGHT	2				(ORD AZ28801, (4) 14M7167, (2) 19M7180)
	AZ28801	FLIGHT	2	020423	-	020422	
9	Z30254	PIN	1				(A)
10	Z21055	BUSHING	2				
11	Z10120	BRACKET	1				
12	34M7049	SPRING PIN	1				8 X 50 MM
13	Z26153	LOCKING COLLAR	1				
14	Z21067	WASHER	1				
15	L18453	WASHER	AR				
16	AZ23292	AUGER	AR				
	AZ28802	AUGER	1	020423	-		LGTH = 1813 MM (71.38") (ORD AZ28802, AZ28869, (4) 14M7167, (2) 19M7180) (SUB FOR AZ18791) LGTH = 1813 MM (71.38")
17	AZ10485	UNIVERSAL JOINT	1				ASSY, INCL KEYS 7,18 (ORD (2) 14M7167, 19M7180)
18	AZ28869	UNIVERSAL JOINT	1	020423	-		ASSY, INCL KEYS 7,18
	Z10121	YOKE, WITH SHAFT	2				(ORD Z11263, (2) 14M7167, 19M7180)
19	Z11263	UNIVERSAL JOINT YOKE	2	020423	-		
	Z10374	DRIVER	1				(ORD Z11262, (2) 14M7167, 19M7180)
	Z11262	DRIVER	1	020423	-		
20	19M7180	CAP SCREW	6				M10 X 45
21	03M7017	BOLT	4				M10 X 25
22	19M7077	CAP SCREW	3				M6 X 20
23	19M7160	CAP SCREW	2				M6 X 30
24	24M7088	WASHER	2				6,6 MM
25	14M7027	NUT	7				M6
26	12M7012	LOCK WASHER	3				6 MM
27	12M7013	LOCK WASHER	4				10 MM
28	14M7140	NUT	4				M10

(A) (-930420)
(-941310)

(2F05) UNLOADING HOUSING
TUYAU DE DECHARGE
AUSLAUFROHR
TUBO DI SCARICO
TUBO DE DESCARGA
AVLASTNINGSELEVATOR



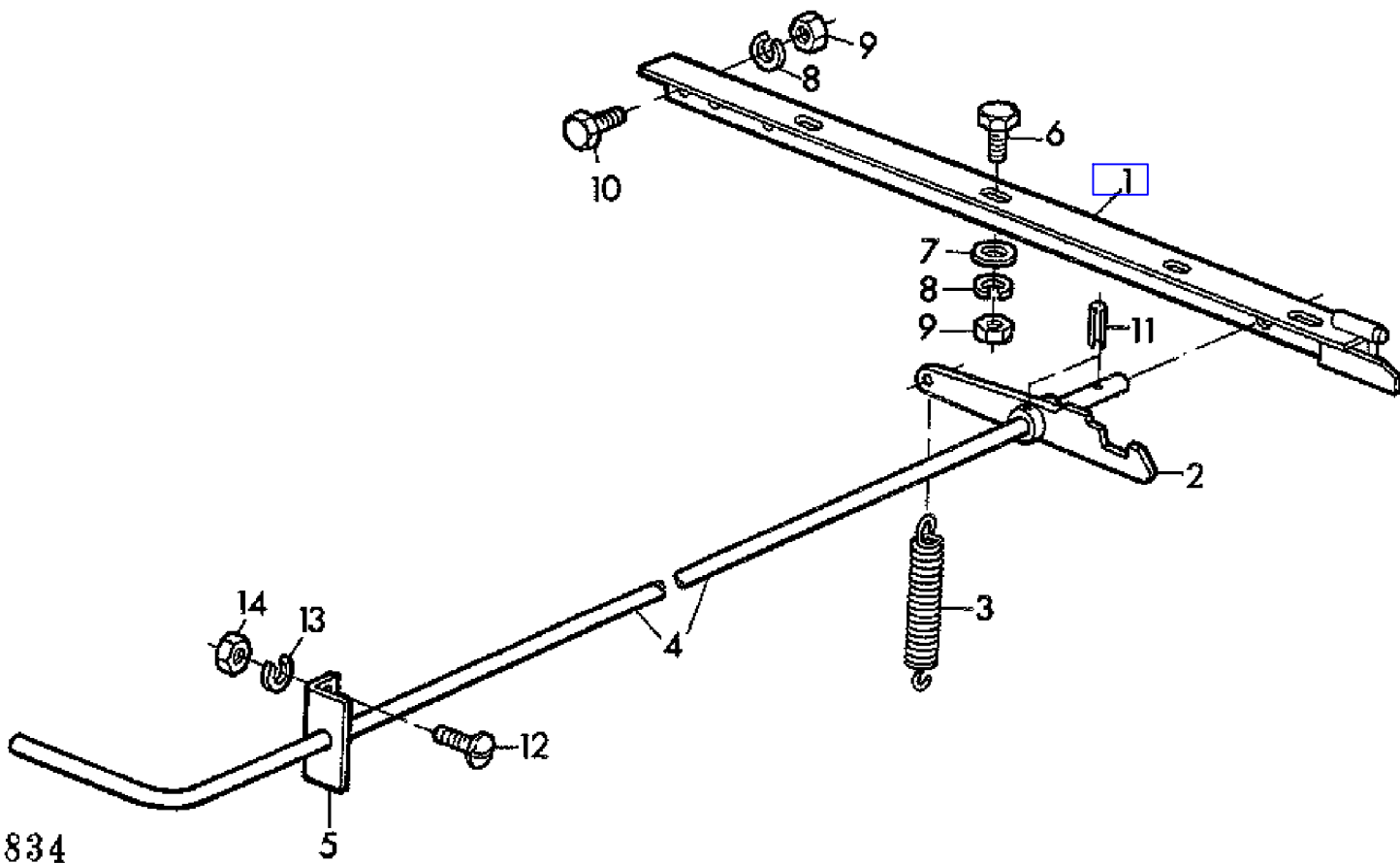
Z 58916

(2F05) UNLOADING HOUSING
TUYAU DE DECHARGE
AUSLAUFROHR
TUBO DI SCARICO
TUBO DE DESCARGA
AVLASTNINGSELEVATOR

KEY	PART NO.	PART NAME	QTY	SERIAL NO.	9 9 3 4 0 0	REMARKS
1	AZ16631	PLATE	1		XX	
2	21M7031	SCREW	10		XX	M6 X 15
3	AZ22603	SPOUT	1		XX	(A) (SUB FOR AZ16634) (ORD W/ KEYS 36,37,38)
4	Z21065	PIN	1		XX	
5	Z21081	HOLDER	1		XX	
6	19M7387	CAP SCREW	1		XX	M12 X 40
7	AZ16628	CRADLE	1		XX	
8	14M7031	NUT	2		XX	M12
9	19M7167	CAP SCREW	2		XX	M10 X 25
10	Z31140	ARRESTOR	1		XX	
11	AZ15701	HOOK	1		XX	
12	Z21061	ROD	1		XX	
13	14M7031	NUT	3		XX	M12
14	AZ10514	CHUTE	1		XX	
15	Z21064	COVER	1		XX	AR
16	Z21066	PIN	1		XX	AR
17	03M7094	BOLT	2		XX	M8 X 30, AR
18	Z29275	DISK	1		XX	
19	11M7022	COTTER PIN	1		XX	4 X 30 MM
20	24M7047	WASHER	1		XX	13 MM
21	AZ15704	LATCH	1		XX	
22	Z26916	SPACER	1		XX	
23	34M7054	SPRING PIN	1		XX	10 X 50 MM
24	Z26919	SUPPORT	1		XX	
25	21M7089	SCREW	AR		XX	M8 X 20
26	Z31421	ANGLE	1		XX	
27	34M7044	SPRING PIN	1		XX	
28	12M7012	LOCK WASHER	10		XX	6 MM
29	14M7027	NUT	10		XX	M6
30	24M7036	WASHER	8		XX	9 MM
31	12M7008	LOCK WASHER	8		XX	8 MM
32	14M7029	NUT	8		XX	M8
33	24M7040	WASHER	2		XX	11 MM
34	12M7013	LOCK WASHER	5		XX	10 MM
35	14M7140	NUT	5		XX	M10
36	Z20443	NUT	2		XX	AR
37	Z36360	COVER	1		XX	AR
38	37M7009	SCREW	2		XX	5,5 X 19 MM, AR

(A) WHEN REPLACING AZ16634 ORDER WITH AZ16628
 EN REMPLACEMENT DE AZ16634, COMMANDER EN PLUS AZ16628
 BEI ERSATZ FUER AZ16634 BESTELLE MIT AZ16628
 IN CASO DI SOSTITUZIONE PER AZ16634 ORDINARE INSIEME CON AZ16628
 PIDASE LOS RECAMBIO DE AZ16634 BAJO EL NUMERO AZ16628
 FOER UTBYTE AV AZ16634 BESTAELL MED AZ16628

(2F08) UNLOADING TUBE SUPPORT
SUPPORT DU TUYAU DE DECHARGE
STUETZE FUER ENTLEERROHR
SUPPORTO DEL TUBO DI SCARICO
SOPORTE DEL TUBO DE DESCARGE
STOED FOER AVLASTNINGSROERET

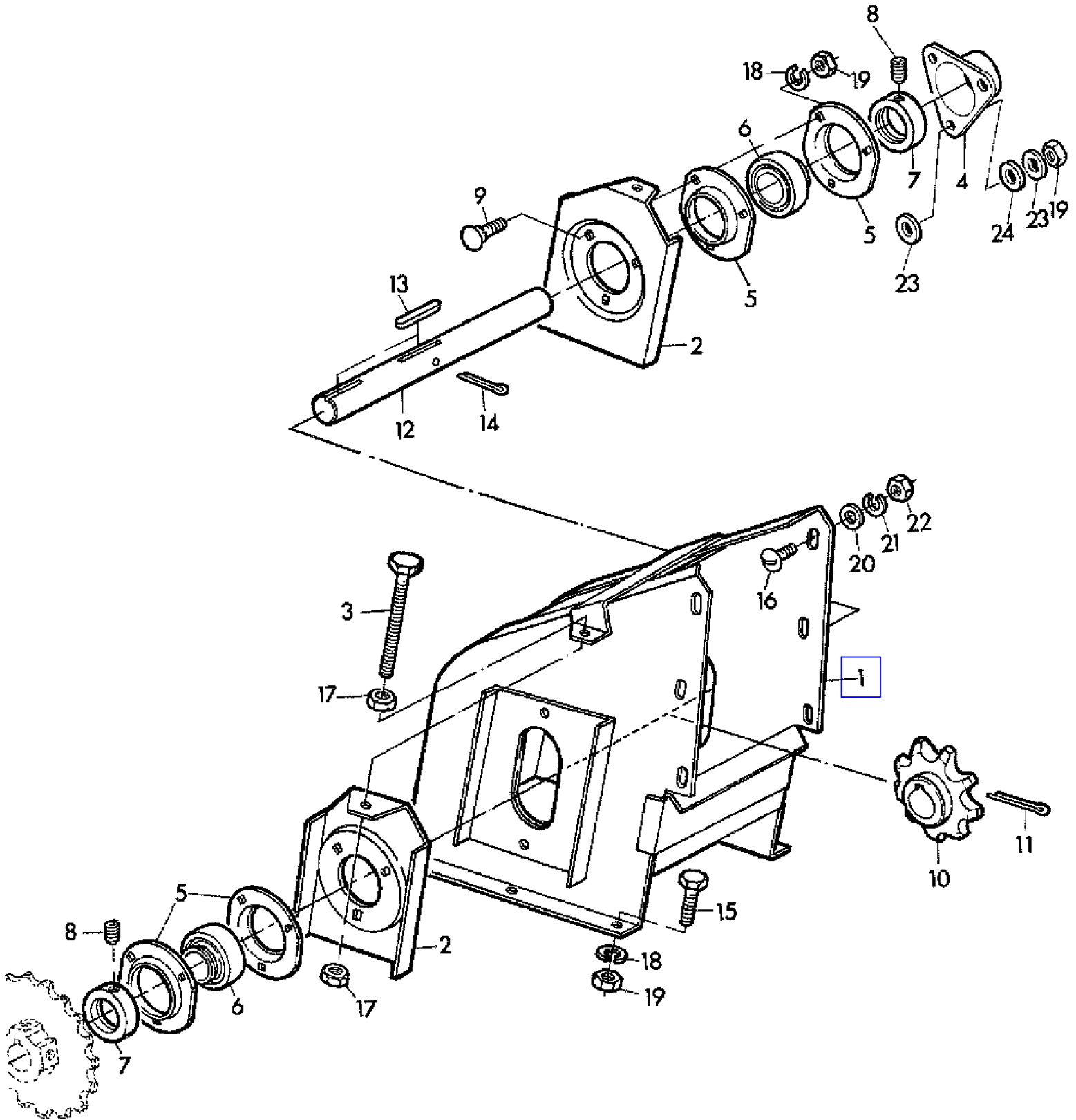


Z 55834

(2F08) UNLOADING TUBE SUPPORT
 SUPPORT DU TUYAU DE DECHARGE
 STUETZE FUER ENTLEERROHR
 SUPPORTO DEL TUBO DI SCARICO
 SOPORTE DEL TUBO DE DESCARGE
 STOED FOER AVLASTNINGSROERET

KEY	PART NO.	PART NAME	QTY	SERIAL NO.	9 9 3 4 0 0	REMARKS
1	AZ19771	SUPPORT	1		X	
	AZ19774	SUPPORT	1		X	
2	Z10773	LATCH	1		X X	
3	Z22925	EXTENSION SPRING	1		X X	
4	Z31139	TUBE	1		X X	
5	Z31316	SUPPORT	1		X X	
6	19M7139	CAP SCREW	3		X X	M8 X 20
7	24M7036	WASHER	3		X X	9,5 MM
8	12M7008	LOCK WASHER	4		X X	8 MM
9	14M7029	NUT	4		X X	M8
10	19M7163	CAP SCREW	1		X X	M8 X 25
11	34M7031	SPRING PIN	2		X X	M5 X 24
12	21M7031	SCREW	2		X X	M6 X 12
13	12M7012	LOCK WASHER	2		X X	6 MM
14	14M7027	NUT	2		X X	M6

(2E04) UPPER PART OF CLEAN GRAIN ELEVATOR
PARTIE SUPERIEURE D'ELEVATEUR DE GRAIN PROPRE
KOENERELEVATOR OBERTEIL
PARTE SUPERIORE DELL'ELEVATORE DEL GRANO
PARTE SUPERIOR DEL ELEVADOR DE GRANO LIMPIO
OEVRE DEL AV SAEDESELEVATOR

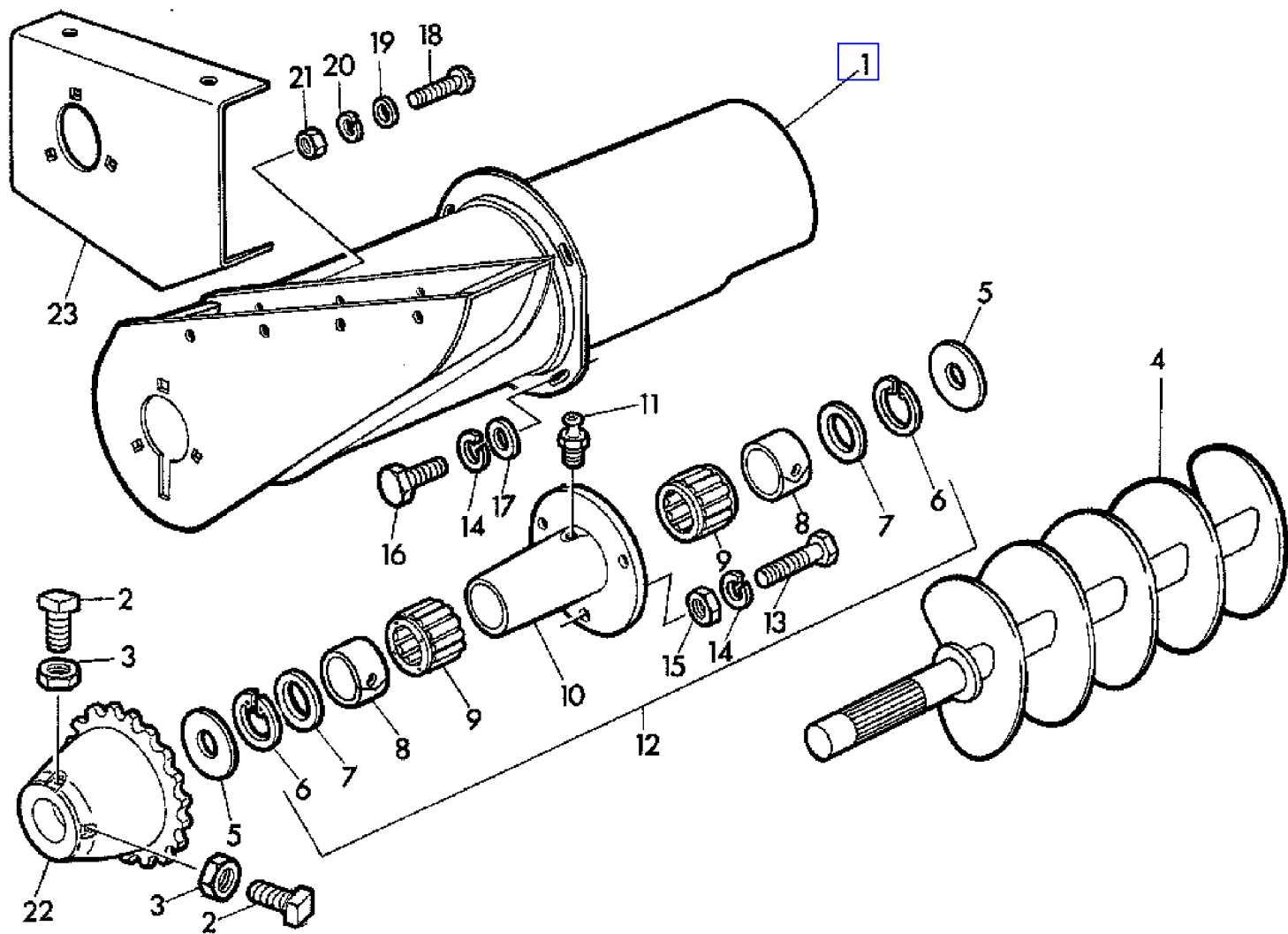


Z 106440

(2E04) UPPER PART OF CLEAN GRAIN ELEVATOR
 PARTIE SUPERIEURE D'ELEVATEUR DE GRAIN PROPRE
 KOENERELEVATOR OBERTEIL
 PARTE SUPERIORE DELL'ELEVATORE DEL GRANO
 PARTE SUPERIOR DEL ELEVADOR DE GRANO LIMPIO
 OEVRE DEL AV SAEDESELEVATOR

KEY	PART NO.	PART NAME	QTY	SERIAL NO.	9 9 3 4 0 0	REMARKS
1	AZ10349	CASE	1		X X	
2	Z20624	HOLDER	2		X X	
3	19M7643	CAP SCREW	2		X X	M8 X 75 (SUB FOR Z20620)
4	Z38381	GUARD	1		X X	(SUB FOR Z24113, Z36139)
5	P47232	PRESSED FLANGED HOUSING	4		X X	
6	JD39102	BALL BEARING	2		X X	
7	AZ10044	ECCENTRIC LOCKING COLLAR	2		X X	ASSY, INCL KEY 8
8	AZ19843	SET SCREW	2		X X	KIT
9	03M7090	BOLT	6		X X	M8 X 15
10	Z10997	CHAIN SPROCKET	1		X X	Z = 8 (SUB FOR Z10032)
11	11M7025	COTTER PIN	1		X X	4 X 65 MM
12	Z20684	SHAFT	1		X X	
13	49M4108	SHAFT KEY	2		X X	8 X7 X 32 MM
14	11M7029	COTTER PIN	1		X X	5 X 40 MM
15	19M7162	CAP SCREW	7		X X	M8 X 15
16	21M7087	SCREW	6		X X	M6 X 12
17	14M7166	LOCK NUT	2		X X	M8
18	12M7008	LOCK WASHER	13		X X	8 MM
19	14M7029	NUT	13		X X	M8
20	24M7088	WASHER	6		X X	6,6 MM
21	12M7012	LOCK WASHER	6		X X	6 MM
22	14M7027	NUT	6		X X	M6
23	24M7036	WASHER	6		X X	9 MM
24	Z36140	WASHER	3		X X	

(2E12) UPPER PART OF TAILINGS ELEVATOR
PARTIE SUPERIEURE D'ELEVATEUR D'OTONS
UEBERKEHRELEVATOR OBERTEIL
PARTE SUPERIORE DELL'ELEVATORE DEL RICUPERO
PARTE SUPERIOR DEL ELEVADOR DE RETRILLA
OEVRE DEL AV RETNRELEVATOR

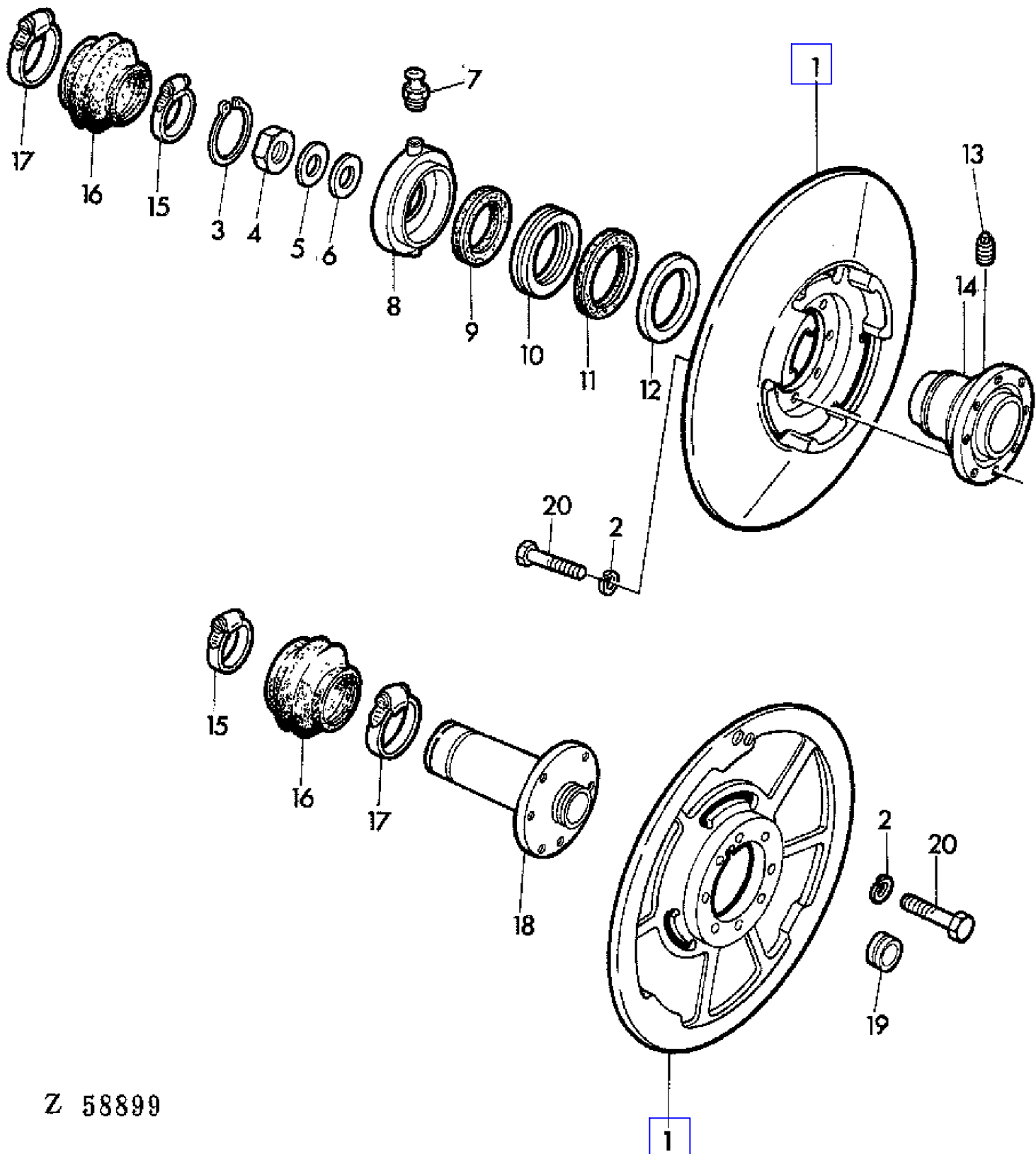


Z 58913

(2E12) UPPER PART OF TAILINGS ELEVATOR
 PARTIE SUPERIEURE D'ELEVATEUR D'OTONS
 UEBERKEHRELEVATOR OBERTEIL
 PARTE SUPERIORE DELL'ELEVATORE DEL RICUPERO
 PARTE SUPERIOR DEL ELEVADOR DE RETRILLA
 OEVRE DEL AV RETNRELEVATOR

KEY	PART NO.	PART NAME	QTY	SERIAL NO.	9 9 3 4 0 0	REMARKS
1	AZ14393	CASE	1		X X	
2	Z26249	SET SCREW	2		X X	10 X 22 MM (SUB FOR Z23925)
3	14M7152	NUT	2		X X	M10
4	AZ18133	AUGER	1		X X	
5	Z20732	WASHER	2		X X	
6	Z23914	SNAP RING	2		X X	
7	AZ10374	SEAL	2		X X	
8	JD37523	BEARING RACE	2		X X	
9	JD37349	NEEDLE BEARING	2		X X	
10	Z10091	HUB	1		X X	
11	58M5574	LUBRICATION FITTING	1		X X	8 MM
12	AZ10679	HUB	1		X X	ASSY, INCL KEYS 6-11
13	19M7163	CAP SCREW	3		X X	M8 X 25
14	12M7008	LOCK WASHER	7		X X	8 MM
15	14M7029	NUT	3		X X	M8
16	19M7162	CAP SCREW	4		X X	M8 X 15
17	24M7036	WASHER	4		X X	9 MM
18	21M7031	SCREW	8		X X	M6 X 15
19	L19100	WASHER	8		X X	7 MM
20	12M7012	LOCK WASHER	8		X X	6 MM
21	14M7027	NUT	8		X X	M6
22	Z10052	CHAIN SPROCKET	1		X X	
23	AZ12006	BRACKET	1		X X	

(2B14) VARIABLE CYLINDER SHEAVES
VARIATEUR BATTEUR
DRESCHTROMMEL-VARIATOR
PULLEGGE DEL VARIATORE DEL BATTITORE
VARIADOR BATIDOR
CYLINDERVARIATORSKIVOR

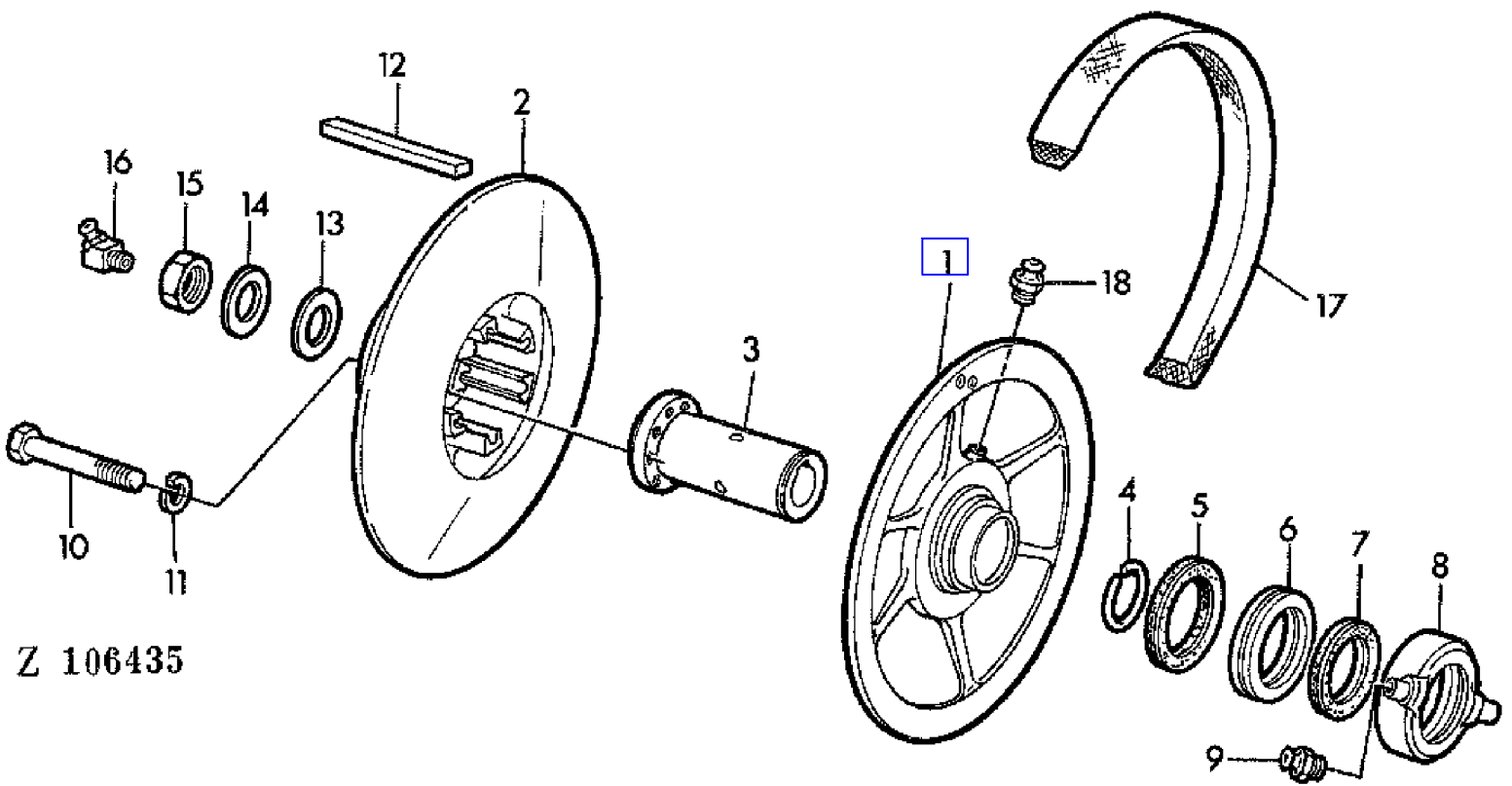


Z 58899

(2B14) VARIABLE CYLINDER SHEAVES
 VARIATEUR BATTEUR
 DRESCHTROMMEL-VARIATOR
 PULLEGGE DEL VARIATORE DEL BATTITORE
 VARIADOR BATIDOR
 CYLINDERVARIATORSKIVOR

KEY	PART NO.	PART NAME	QTY	SERIAL NO.	9 9 3 4 0 0	REMARKS
1	Z10577	HALF SHEAVE	2		XX	
2	12M7013	LOCK WASHER	16		XX	10 MM
3	Z27967	SNAP RING	1		XX	
4	14M7174	LOCK NUT	1		XX	24 X 1,5 MM
5	Z22491	WASHER	1		XX	
6	Z26640	WASHER	AR		XX	TK = 1 MM (3/64")
7	Z26641	WASHER	AR		XX	TK = 2 MM (5/64")
8	58M5574	LUBRICATION FITTING	1		XX	8 MM
	Z10128	RING	1		XX	
9	Z22297	FELT	1		XX	
10	JD33164	THRUST BEARING	1		XX	
11	Z22296	FELT	1		XX	
12	Z29189	WASHER	1		XX	
13	15M6412	DRAIN PLUG	1		XX	12 X 1,5 MM
14	Z10574	HUB	1		XX	
15	Z27969	CLAMP	2		XX	
16	Z27776	BOOT	2		XX	
17	Z21131	CLAMP	2		XX	
18	Z10575	HUB	1		XX	
19	Z10767	PULLEY	1		XX	
20	19M7167	CAP SCREW	16		XX	M10 X 25

(2B15) VARIABLE CYLINDER SHEAVES
VARIATEUR BATTEUR
WENDETROMMEL-VARIATOR
PULEGGE DEL VARIATORE DEL BATTITORE
VARIADOR BATIDOR
CYLINDERVARIATORSKIVOR

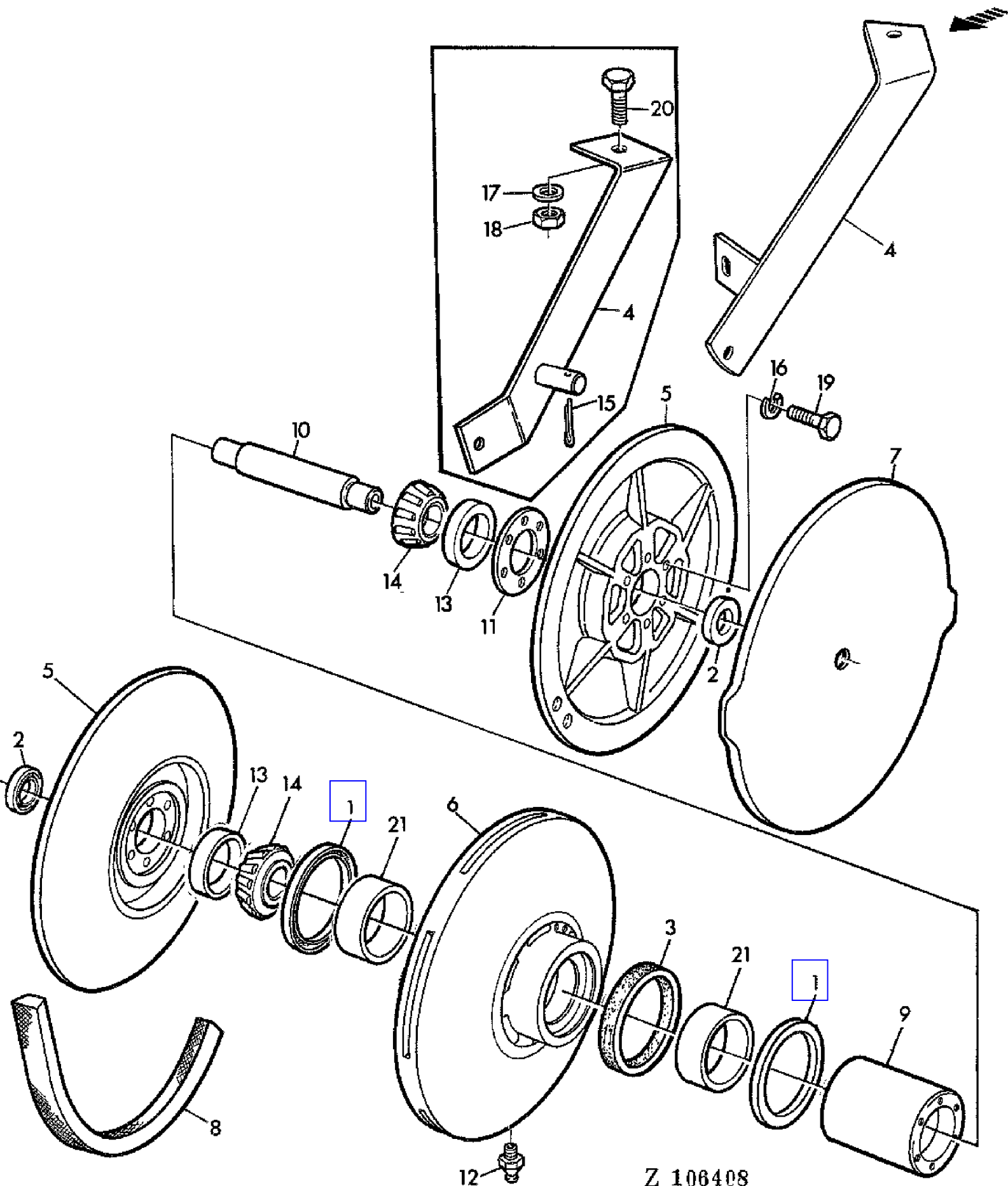


Z 106435

(2B15) VARIABLE CYLINDER SHEAVES
 VARIATEUR BATTEUR
 WENDETROMMEL-VARIATOR
 PULEGGE DEL VARIATORE DEL BATTITORE
 VARIADOR BATIDOR
 CYLINDERVARIATORSKIVOR

KEY	PART NO.	PART NAME	QTY	SERIAL NO.	9 9 3 4 0 0	REMARKS
1	Z10488	HALF SHEAVE	1		X X	(ORD Z11461 W/ 58M5575)
	Z11461	HALF SHEAVE	1		X X	(SUB FOR Z10488)
2	Z10489	HALF SHEAVE	1	- 941310	X X	
	Z11295	HALF SHEAVE	1	941311 -	X	
3	Z10490	HUB	1		X X	
4	Z25564	SNAP RING	1		X X	
5	Z22296	FELT	1		X X	
6	JD33164	THRUST BEARING	1		X X	
7	Z22297	FELT	1		X X	
8	Z10128	RING	1		X X	
9	58M5574	LUBRICATION FITTING	1		X X	8 MM
10	19M7156	CAP SCREW	8		X X	M10 X 60
11	12M7013	LOCK WASHER	8		X X	10 MM
12	49M4129	SHAFT KEY	1		X X	10 X 8 X 140 MM
13	Z26640	WASHER	AR		X X	1 MM
14	Z26641	WASHER	AR		X X	2 MM
15	Z20822	WASHER	1		X X	
15	14M7174	LOCK NUT	1		X X	M24 X 1,5
16	58M5577	LUBRICATION FITTING	1		X X	8 MM
17	Z20823	BELT	1		X X	
18	58M5575	LUBRICATION FITTING	1		X X	M10

(1B15) VARIABLE GROUND DRIVE
VARIATEUR D'AVANCEMENT
FAHRVARIATOR
VARIATORE DI VELOCITA D'AVANZAMENTO
VARIADOR DE VELOCIDAD
KOERVARIATOR

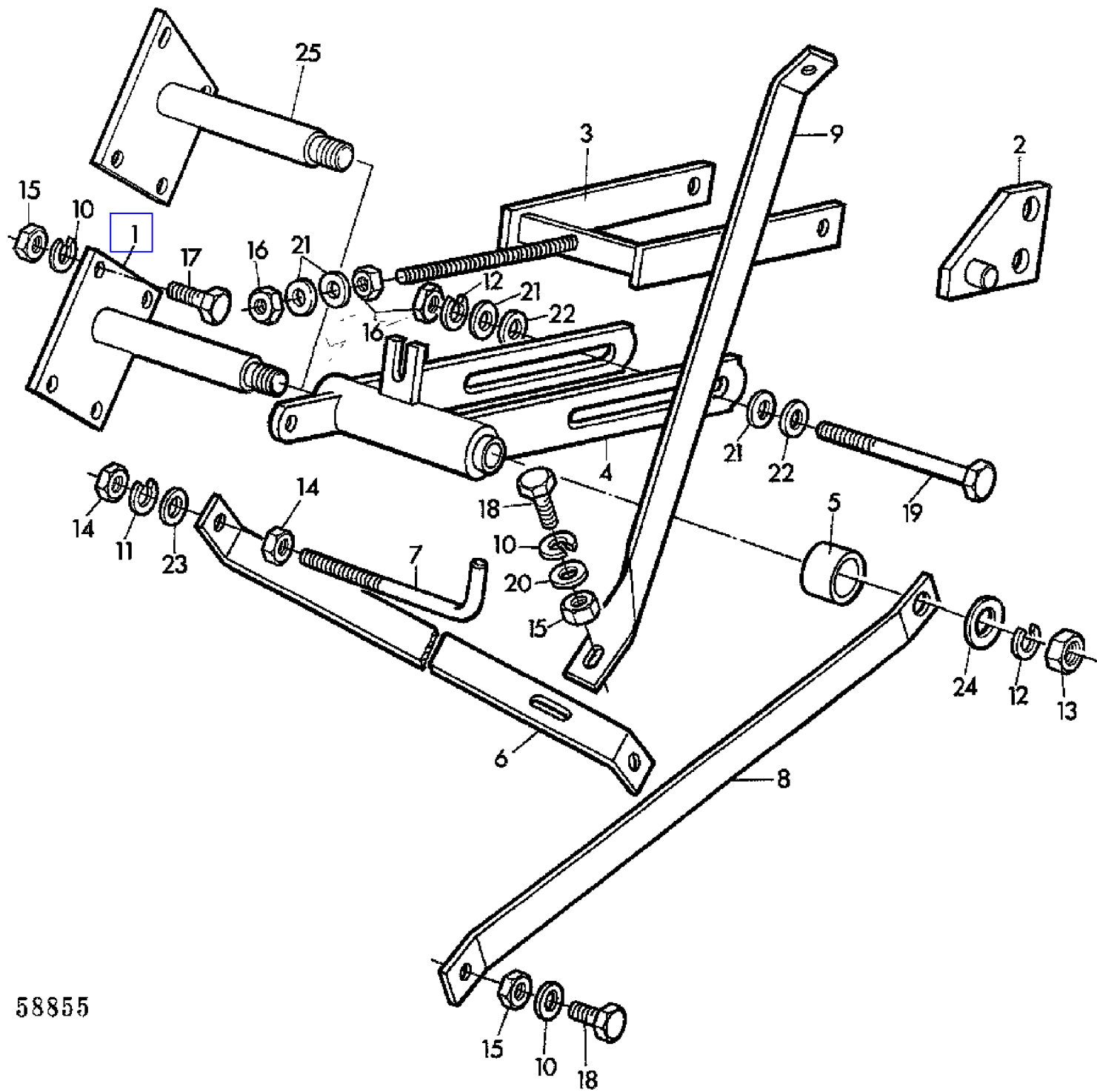


Z 106408

(1B15) VARIABLE GROUND DRIVE
 VARIATEUR D'AVANCEMENT
 FAHRVARIATOR
 VARIATORE DI VELOCITA D'AVANZAMENTO
 VARIADOR DE VELOCIDAD
 KOERVARIATOR

KEY	PART NO.	PART NAME	QTY	SERIAL NO.	9 9 3 4 0 0	REMARKS
1	AH14218	PACKING	2		XX	
2	AH14219	SEAL	2		XX	
3	AH14220	FELT	1		XX	
4	AZ20154	BRACKET	1		X	
	AZ20155	BRACKET	1	- 941030	X	
	AZ21600	BRACKET	1	941031 -	X	
5	Z10782	HALF SHEAVE	2		XX	
6	AZ25284	CENTER SHEAVE	1		XX	INCL KEYS 1,21 (SUB FOR Z10784)
7	Z20863	OBSOLETE PART	1		X	
8	Z31367	BELT	2		XX	
9	Z11502	HUB	1		XX	(SUB FOR H10558)
10	H25651	SHAFT	1		XX	
11	H25655	SHIM	AR		XX	0.002"
	H25653	SHIM	AR		XX	0.005"
	H25654	SHIM	AR		XX	0.010"
12	JD7759	LUBRICATION FITTING	1		XX	
13	JD8253	BEARING CUP	2		XX	
14	JD8933	BEARING CONE	2		XX	
15	11M7035	COTTER PIN	1		XX	6 X 25 MM
16	12M7008	LOCK WASHER	12		XX	8 MM
17	12M7013	LOCK WASHER	2		XX	10 MM
18	14M7140	NUT	2		XX	M10
19	19H2117	CAP SCREW	12		XX	5/16" X 1-1/8"
20	19M7167	CAP SCREW	2		XX	M10 X 25
21	Z36374	BUSHING	2		XX	

(1B17) VARIABLE GROUND DRIVE
VARIATEUR D'AVANCEMENT
FAHRVARIATOR
VARIATORE DI VELOCITA' D'AVANZAMENTO
VARIADOR DE VELOCIDAD
KOERVARIATOR

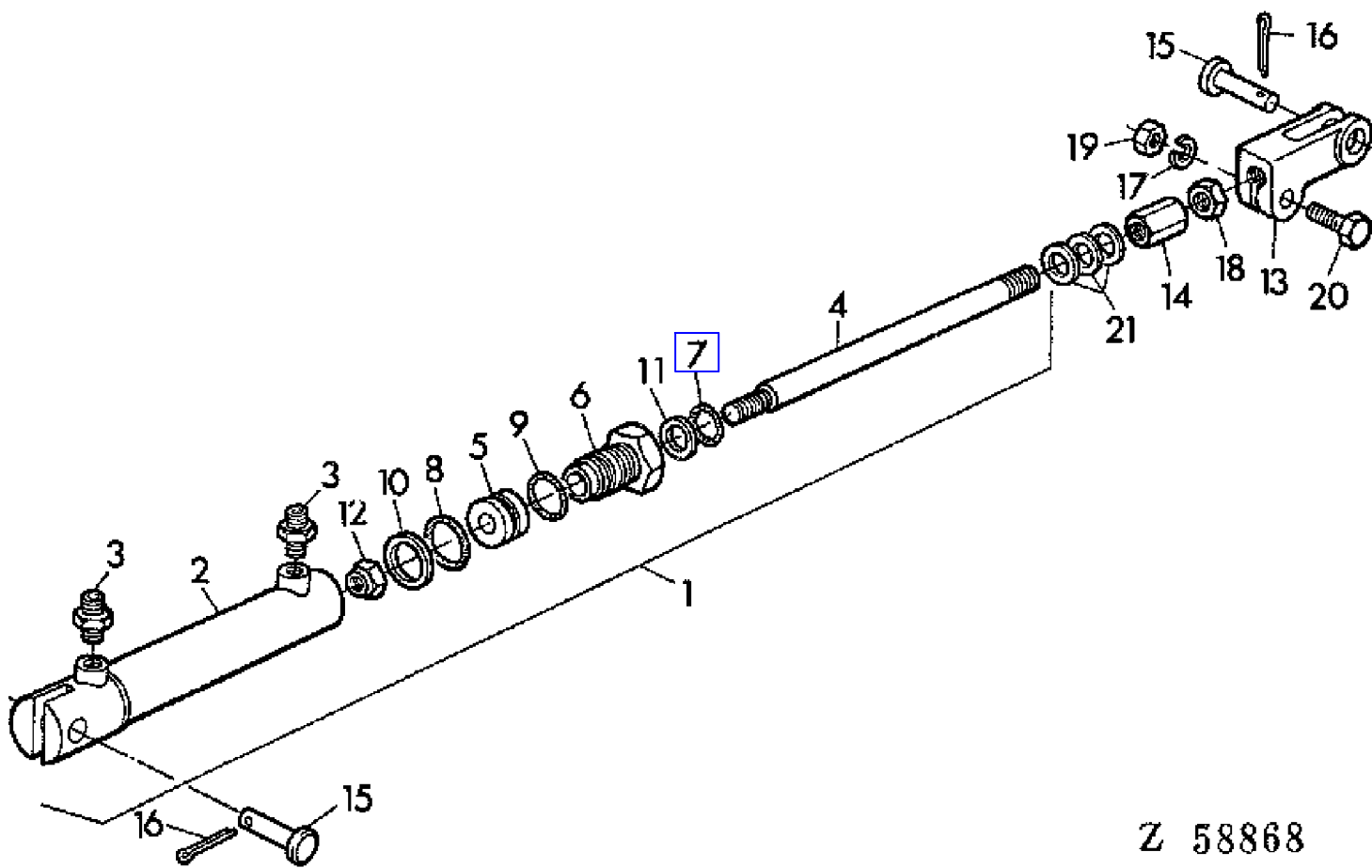


Z 58855

(1B17) VARIABLE GROUND DRIVE
 VARIATEUR D'AVANCEMENT
 FAHRVARIATOR
 VARIATORE DI VELOCITA D'AVANZAMENTO
 VARIADOR DE VELOCIDAD
 KOERVARIATOR

KEY	PART NO.	PART NAME	QTY	SERIAL NO.	9 3 0	9 4 0	REMARKS
1	AZ14833	SUPPORT	1			X	
2	AZ14833	SUPPORT	1	- 941030		X	
	AZ10421	BRACKET	1			X X	
3	AZ20157	SADDLE	1			X X	
4	AZ20167	FORK	1			X	INCL KEY 5
	AZ20167	FORK	1	- 941030		X	INCL KEY 5
5	AZ21879	FORK	1	941031 -		X	INCL KEY 5
6	Z20862	BUSHING	2			X X	
	Z25835	BRACKET	1			X	
7	Z25835	BRACKET	1	- 941030		X	
	Z32695	BRACKET	1	941031 -		X	
	Z20866	HOOK BOLT	1			X X	
8	Z31365	BRACKET	1			X	
	Z31365	BRACKET	1	- 941030		X	
	Z32701	BRACKET	1	941031 -		X	
9	Z25837	BRACKET	1			X	
	Z25837	BRACKET	1	- 941030		X	
	Z32380	BRACKET	1	941031 -		X	
10	12M7013	LOCK WASHER	7			X X	10 MM
11	12M7014	LOCK WASHER	2			X X	12 MM
12	12M7017	LOCK WASHER	1			X X	16 MM
13	14M7142	NUT	1			X X	M16
14	14M7031	NUT	2			X X	M12
15	14M7140	NUT	7			X X	M10
16	14M7142	NUT	3			X X	M16
17	19M7166	CAP SCREW	4			X X	M10 X 20
18	19M7167	CAP SCREW	3			X X	M10 X 25
19	19M7355	CAP SCREW	1			X X	M16 X 230
20	24M7040	WASHER	3			X X	11 MM
21	24M7053	WASHER	4			X X	17 MM
22	24M7103	WASHER	2			X X	18 MM
23	24M1607	WASHER	1			X X	14 MM
24	Z26641	WASHER	AR			X X	
25	AZ21601	SUPPORT	1	941031 -		X	

(1F02) VARIABLE GROUND DRIVE CYLINDER
VERIN DU VARIATEUR D'AVANCEMENT
FAHRVARIATORZYLINDER
CILINDRO DEL VARIATORE DI VELOCITA D'AVANZAMENTO
CILINDRO DEL VARIADOR DE VELOCIDAD
KOERVARIATORCYLINDER

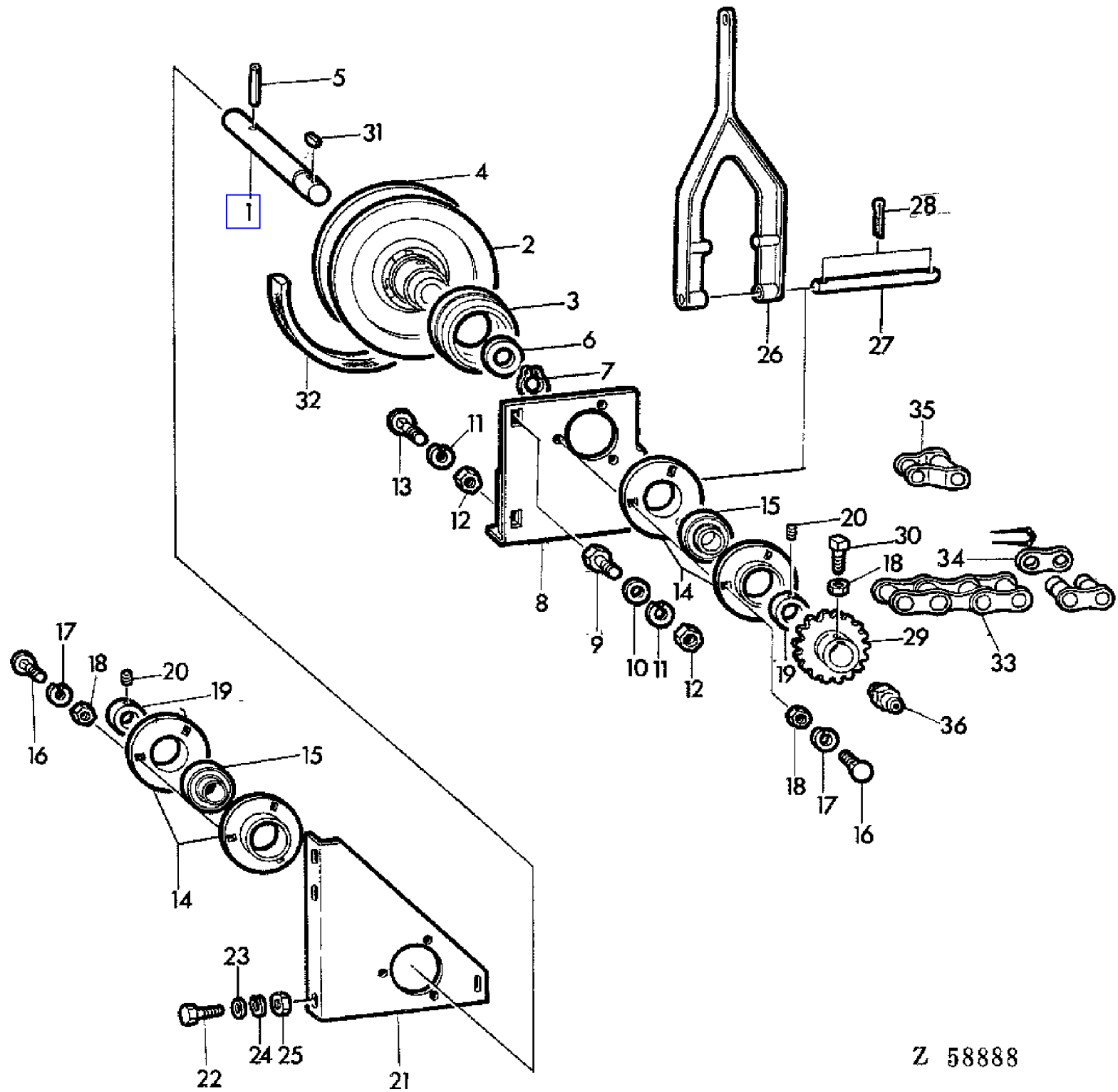


Z 58868

(1F02) VARIABLE GROUND DRIVE CYLINDER
 VERIN DU VARIATEUR D'AVANCEMENT
 FAHRVARIATORZYLINDER
 CILINDRO DEL VARIATORE DI VELOCITA D'AVANZAMENTO
 CILINDRO DEL VARIADOR DE VELOCIDAD
 KOERVARIATORCYLINDER

KEY	PART NO.	PART NAME	QTY	SERIAL NO.	9 9 3 4 0 0	REMARKS
1	AZ16163	HYDRAULIC CYLINDER	1		X X	ASSY
2	AZ16430	HYDRAULIC CYLINDER BARREL	1		X X	
3	AZ21983	FITTING	2		X X	(SUB FOR AL16887)
4	Z27651	ROD	1		X X	
5	Z27652	PISTON	1		X X	
6	Z27653	GUIDE	1		X X	
7	R394R	O-RING	1		X X	(SUB FOR Z27654)
8	R27564	O-RING	1		X X	(SUB FOR Z27655)
9	P47889	O-RING	1		X X	(SUB FOR Z27656)
10	T53328	WEAR RING	1		X X	(SUB FOR Z27657)
11	N132177	BACK-UP RING	1		X X	(SUB FOR Z27658)
12	Z27659	LOCK NUT	1		X X	
13	H11219	YOKE	1		X X	
14	H33093	NUT	1		X X	
15	P43548	PIN	2		X X	
16	11M7014	COTTER PIN	2		X X	3 X 25 MM
17	12M7013	LOCK WASHER	1		X X	10 MM
18	14H826	NUT	1		X X	1/2"
19	14M7140	NUT	1		X X	M10
20	19M7084	CAP SCREW	1		X X	M10 X 40
21	24M7038	WASHER	5		X X	14 MM

(1114) VARIABLE REEL
VARIATEUR DES RABATTEURS
HASPELVARIATOR
VARIATORE DELL'ASPO
MOLINETE VARIABLE
HASPELVARIATOR

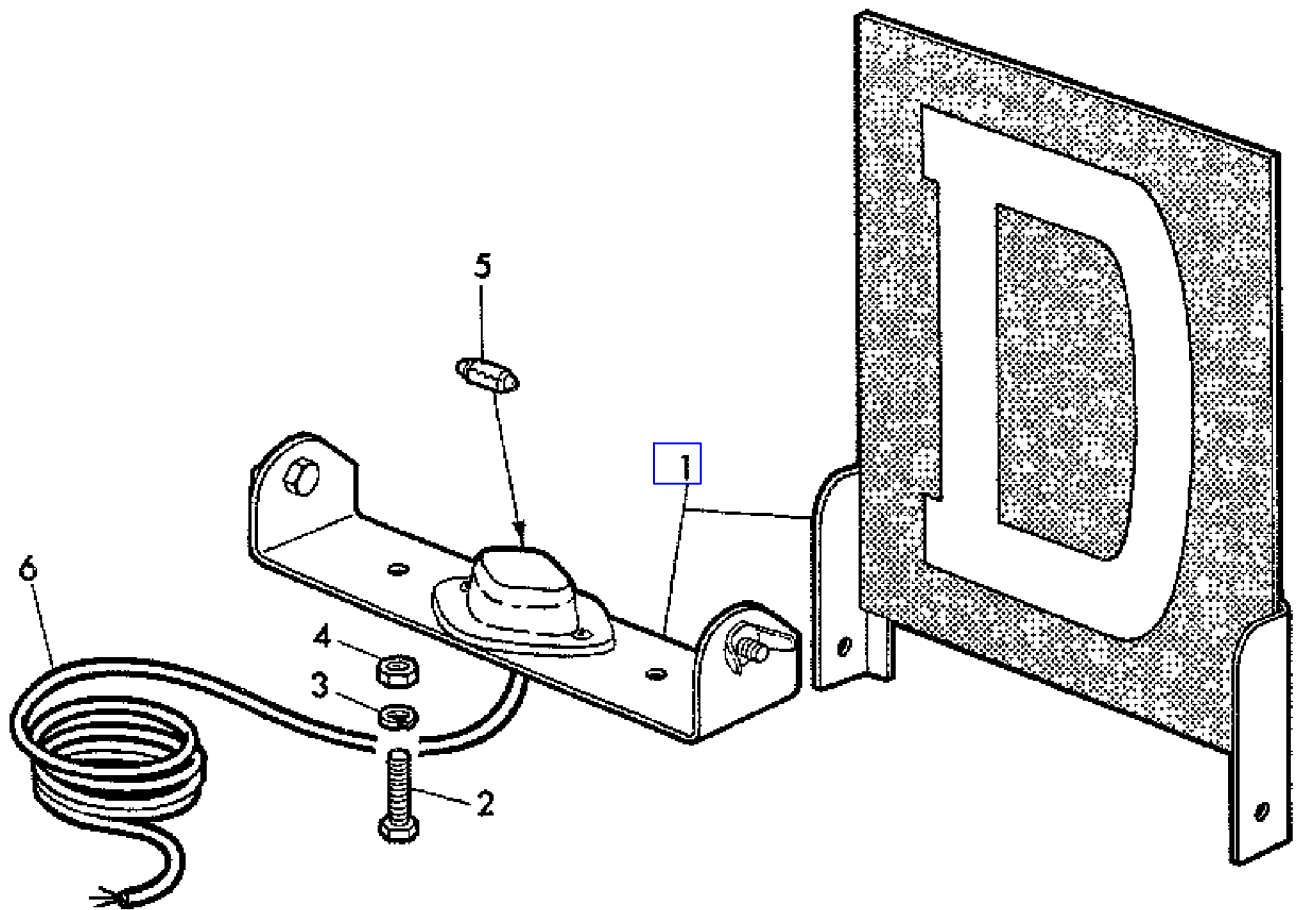


Z 58888

(1114) VARIABLE REEL
 VARIATEUR DES RABATTEURS
 HASPELVARIATOR
 VARIATORE DELL'ASPO
 MOLINETE VARIABLE
 HASPELVARIATOR

KEY	PART NO.	PART NAME	QTY	SERIAL NO.	9 3 0	9 4 0	REMARKS
1	AZ13609	SHAFT	1		X		INCL KEYS 31,36
2	Z10084	SHEAVE	1		X		
3	JD39117	THROW-OUT BEARING	1		X		(SUB FOR AM3983)
4	Z10083	HALF SHEAVE	1		X		
5	34M7049	SPRING PIN	1		X		8 X 50 MM
6	24M7046	WASHER	1		X		26 MM
7	40M1828	SNAP RING	1		X		25 X 1,2 MM
8	AZ10228	HOLDER	1		X		
9	03M7126	BOLT	1		X		M12 X 35
10	24M7038	WASHER	1		X		14 MM
11	12M7014	LOCK WASHER	2		X		12 MM
12	14M7031	NUT	2		X		M12
13	03M7083	BOLT	1		X		M12 X 35
14	P47232	PRESSED FLANGED HOUSING	4		X		
15	JD39102	BALL BEARING	2		X		
16	03M7054	BOLT	6		X		M8 X 20
17	12M7008	LOCK WASHER	6		X		8 MM
18	14M7029	NUT	7		X		M8
19	AZ10044	ECCENTRIC LOCKING COLLAR	2		X		
20	AZ19843	SET SCREW	2		X		KIT
21	Z20419	HOLDER	1		X		
22	19M7166	CAP SCREW	3		X		M10 X 20
23	24M7040	WASHER	3		X		11 MM
24	12M7013	LOCK WASHER	3		X		10 MM
25	14M7140	NUT	3		X		M10
26	Z10150	FORK	1		X		
27	Z20554	PIN	1		X		
28	11M7011	COTTER PIN	2		X		3 X 15 MM
29	Z20101	CHAIN SPROCKET	1		X		Z = 13
	Z20100	CHAIN SPROCKET	1		X		Z = 21
30	Z32432	SET SCREW	1		X		8 X 20 MM (SUB FOR Z25976)
31	26M4227	SHAFT KEY	1		X		6 X 9 MM
32	Z36813	BELT	1		X		(SUB FOR Z20459)
33	AZ10253	LINK CHAIN	1		X		L = 52
34	AL14207	LINK	1		X		
35	AZ12881	LINK	1		X		
36	58M5574	LUBRICATION FITTING	1		X		8 X 1 MM

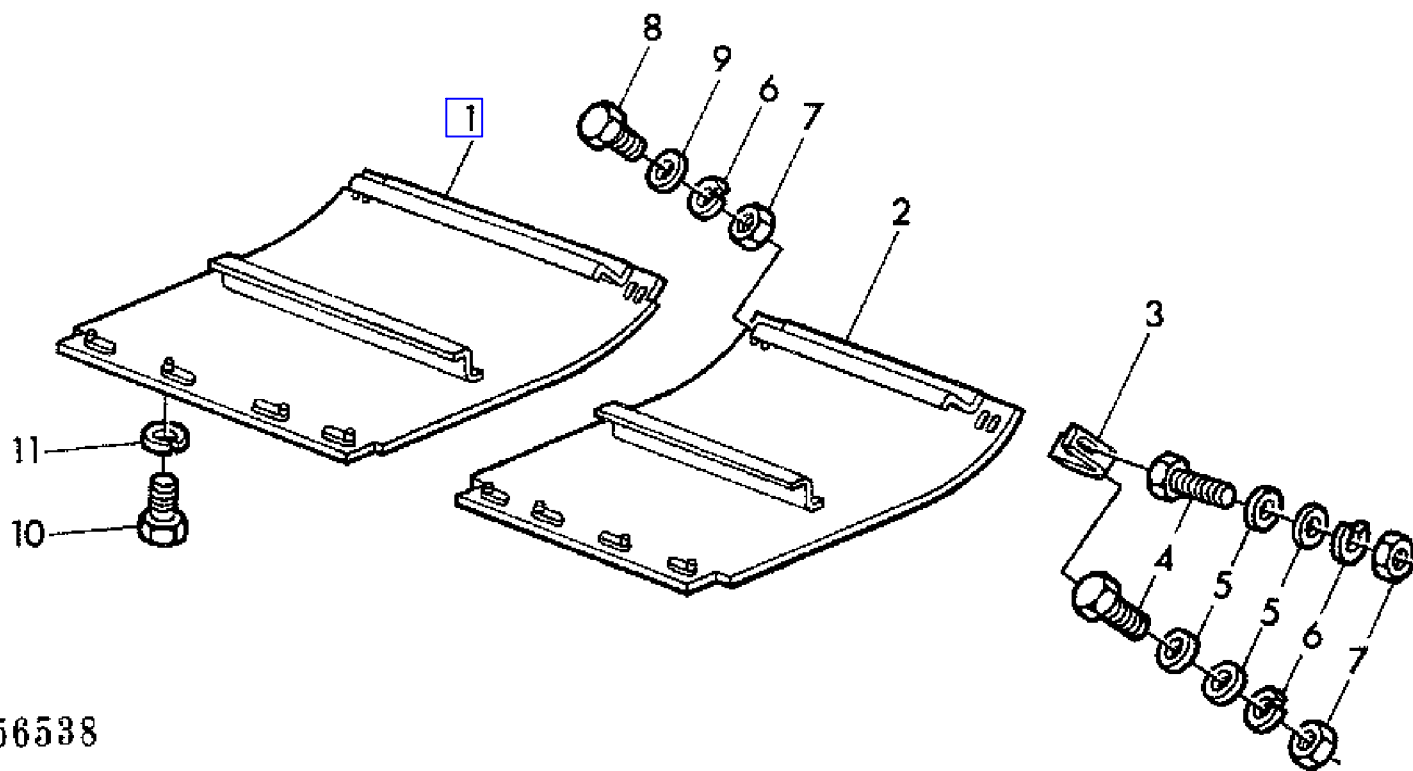
(1D23) WARNING EMBLEM FOR FRANCE ONLY
PANNEAU D POUR LA FRANCE SEULEMENT
"D" SCHILD FUER FRANKREICH
SEGNO D'AVVISO "D" PER LA FRANCIA
PLAQUITA "D" DE AVISO PARA FRANCIA
"D" ENDAST FOER FRANKRIKE



(1D23) WARNING EMBLEM FOR FRANCE ONLY
PANNEAU D POUR LA FRANCE SEULEMENT
"D" SCHILD FUER FRANKREICH
SEGNO D'AVVISO "D" PER LA FRANCIA
PLAQUITA "D" DE AVISO PARA FRANCIA
"D" ENDAST FOER FRANKRIKE

KEY	PART NO.	PART NAME	QTY	SERIAL NO.	9 9 3 4 0 0	REMARKS
1	AZ11131	SIGN	1		X X	ASSY
2	19M7077	CAP SCREW	2		X X	M6 X 20
3	12M7012	LOCK WASHER	2		X X	6 MM
4	14M7027	NUT	2		X X	M6
5	57M6274	BULB	1		X X	12V 5W
6	AZ12750	WIRING LEAD	1		X X	

(1H21) WEARING PLATES
TOLES D'USURE
SCHLEIFBLECHE
LIENIERE D'USARE
PLACAS CONTRA EL DESGASTE
SLITPLATTOR



Z 56538

(1H21) WEARING PLATES
 TOLES D'USURE
 SCHLEIFBLECHE
 LIENIERE D'USARE
 PLACAS CONTRA EL DESGASTE
 SLITPLATTOR

KEY	PART NO.	PART NAME	QTY	SERIAL NO.	9 9 3 4 0 0	REMARKS
1	AZ12480	GUARD	1		X	
2	AZ12482	GUARD	1		X	7'9"
	AZ12483	GUARD	1		X	7'9"
	AZ12482	GUARD	2		X	8,5'
	AZ12481	GUARD	2		X	10'
3	Z21517	HOLDER	6		X	
4	19M7288	CAP SCREW	4		X	M8 X 30
5	24M7036	WASHER	8		X	9 MM
6	12M7008	LOCK WASHER	16		X	8 MM
7	14M7029	NUT	16		X	M8
8	19M7139	CAP SCREW	12		X	M8 X 20
9	24M7037	WASHER	12		X	9 MM
10	19M7166	CAP SCREW	13		X	M10 X 20
11	12M7013	LOCK WASHER	13		X	10 MM

(2B12) YOKE, VARIABLE CYLINDER AND BEATER

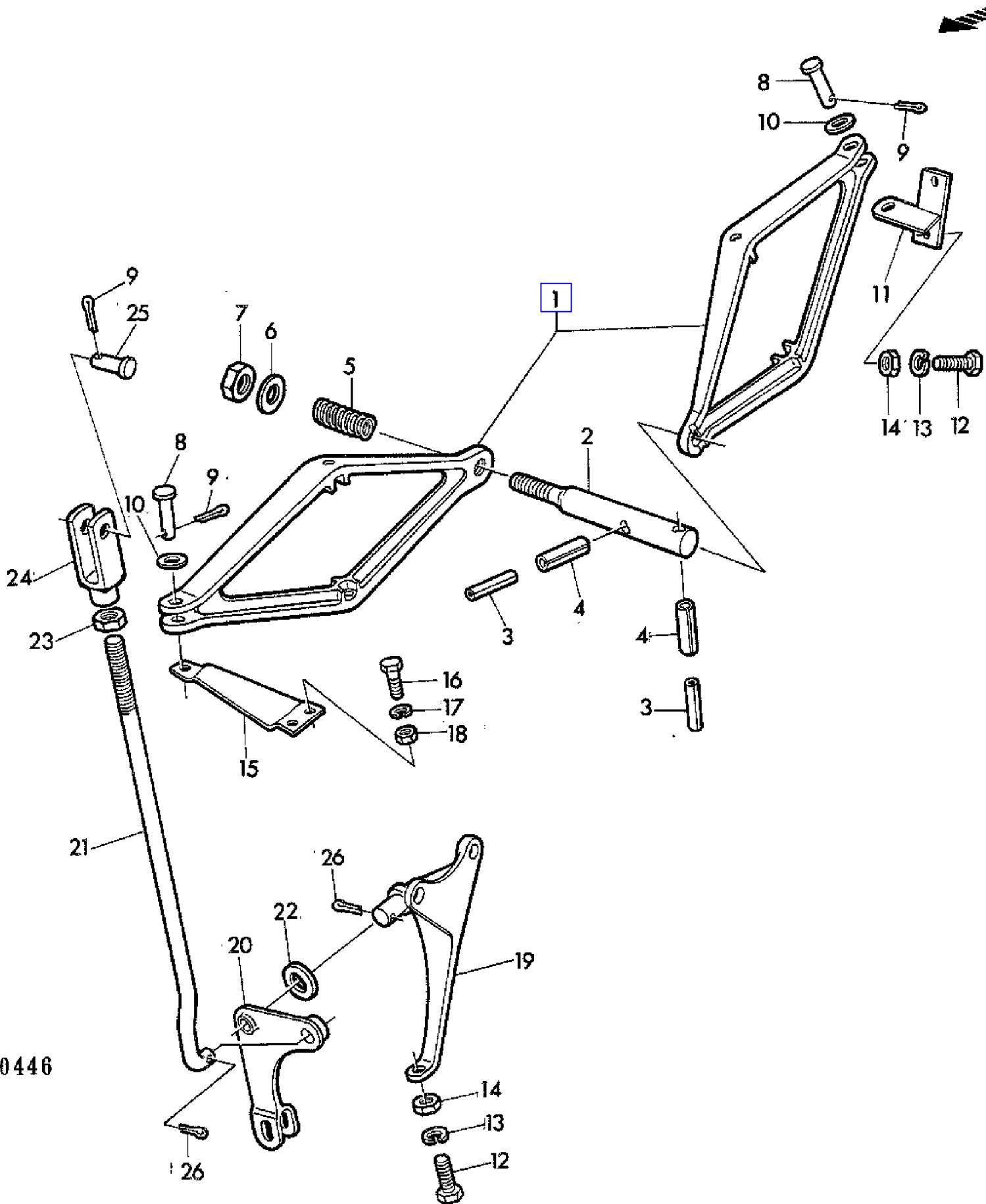
ETRIER DE REGLAGE, VARIATEUR BATTEUR TIRE-PAILLE

VERSTELLBUEGEL, DRESCH-WENDETRÖMMELVARIATOR

FORCELLA, VARIATORE DATTITORE E MULINELLO

YUGO DE REGLAJE, VARIADOR DEL CILINDRO DESGRAN.BATIDOR

GAFFEL FOER CYLINDERNES OCH HALMVINDANS DRIVNING



Z 60446

(2B12) YOKE, VARIABLE CYLINDER AND BEATER

ETRIER DE REGLAGE, VARIATEUR BATTEUR TIRE-PAILLE
 VERSTELLBUEGEL, DRESCH-WENDETRÖMMELVARIATOR
 FORCELLA, VARIATORE DATTITORE E MULINELLO
 YUGO DE REGLAJE, VARIADOR DEL CILINDRO DESGRAN.BATIDOR
 GAFFEL FOER CYLINDERNES OCH HALMVINDANS DRIVNING

KEY	PART NO.	PART NAME	QTY	SERIAL NO.	9 9 3 4 0 0	REMARKS
1	Z10146	ADJUSTER	2		XX	
2	Z20833	PIN	1		XX	
3	34M7058	SPRING PIN	2		XX	7 X 55 MM
4	34M7056	SPRING PIN	2		XX	12 X 55 MM
5	Z20828	COMPRESSION SPRING	1		XX	
6	24M7102	WASHER	1		XX	14 MM
7	14M7168	LOCK NUT	1		XX	M12
8	Z24490	PIN	2		XX	15/32" X 50 X 45 MM
9	11M7022	COTTER PIN	3		XX	4 X 30 MM
10	24M7111	WASHER	2		XX	13 MM
11	AZ10407	HOLDER	1		XX	
12	19M7167	CAP SCREW	2		XX	M10 X 25
13	12M7013	LOCK WASHER	2		XX	10 MM
14	14M7140	NUT	2		XX	M10
15	Z20835	HOLDER	1		XX	
16	19M7139	CAP SCREW	2		XX	M8 X 20
17	12M7008	LOCK WASHER	2		XX	8 MM
18	14M7029	NUT	2		XX	8 MM
19	AZ10408	BRACKET	1		XX	
20	Z10610	LEVER	1		XX	
21	Z28422	ROD	1		XX	
22	24M7113	WASHER	1		XX	17 MM
23	14M7142	NUT	1		XX	16 MM
24	Z28421	YOKE	1		XX	
25	45M4901	PIN	1		XX	12 X 40 X 35 MM
26	11M7020	COTTER PIN	1		XX	4 X 25 MM