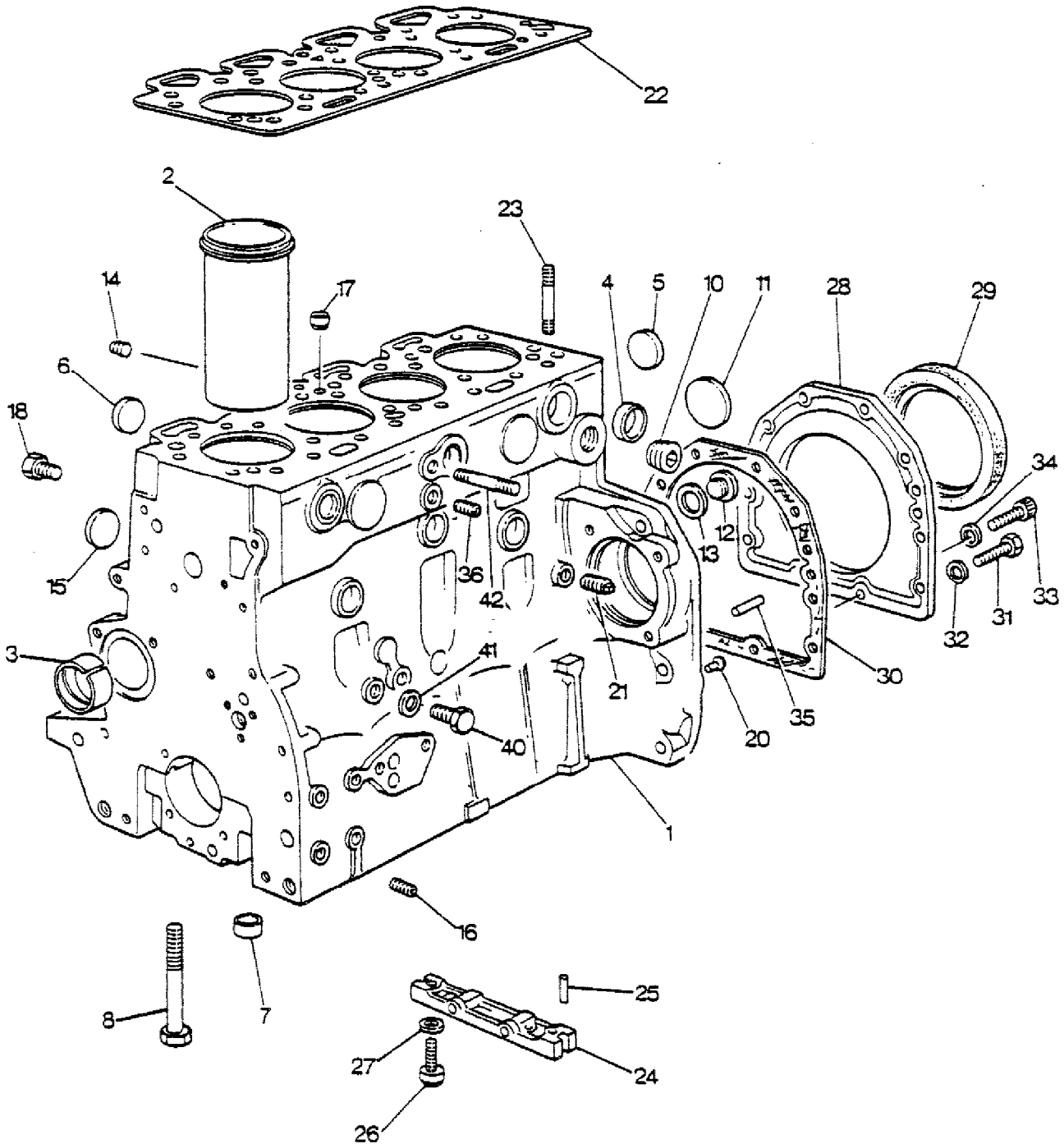


2

SYLINTERIRYHMÄ  
CYLINDERBLOCK  
CYLINDER BLOCK  
ZYLINDERBLOCK  
BLOC CYLINDRES

3-0050-026-A



AGCO Corporation  
Parts List Report

Massey Ferguson (Europe)

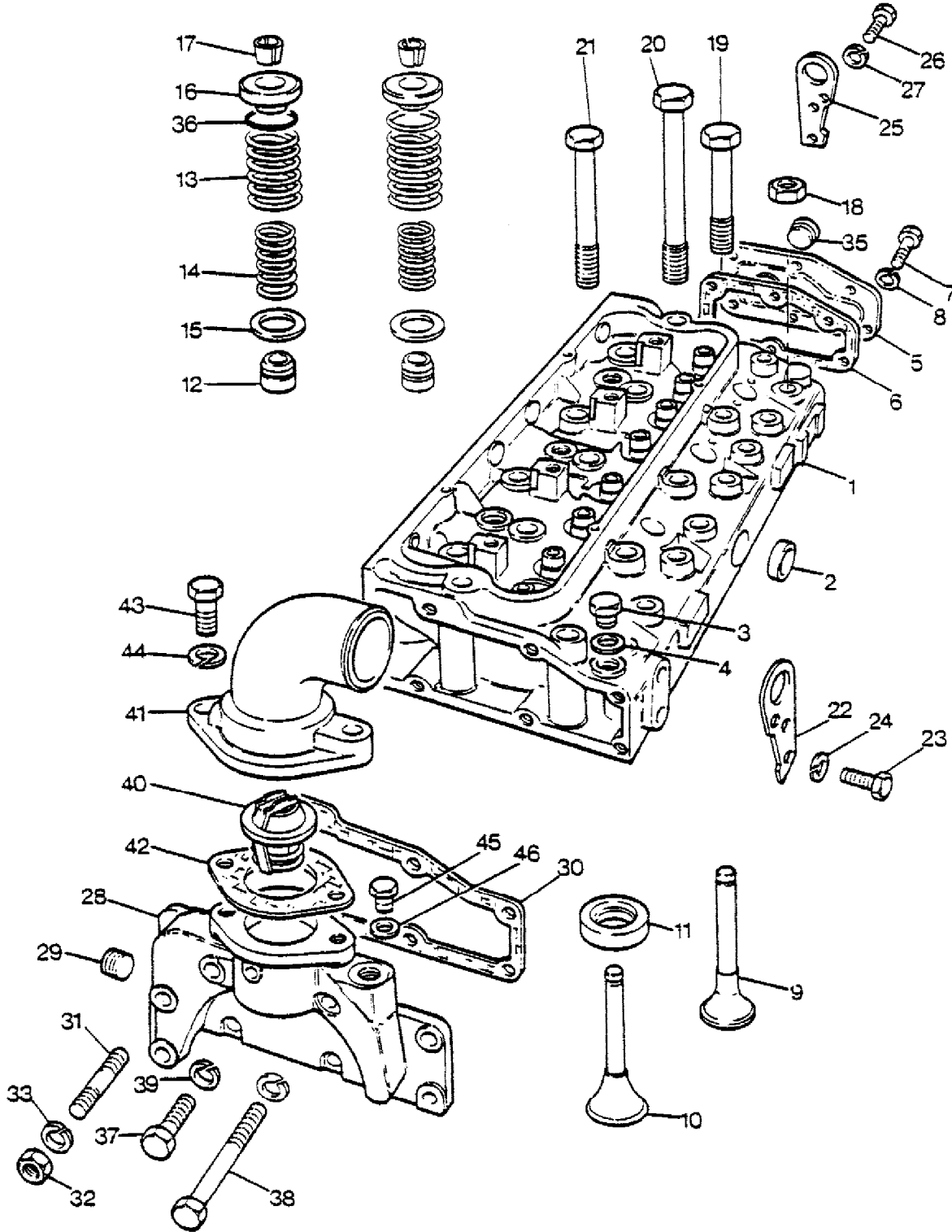
MF 330 COMBINE

Page 2 - CYLINDER BLOCK - A4.236

Item	Part Number	Qty	Part Description	Comments
				A4.236
1	M7BA0208	1	Cylinder Block	
2	31358324	4	Liner	
3	31134132	1	Bush	1
4	0650563	6	Plug	1
5	0650563	2	Plug	1
6	0650618	4	Plug	1
7	33142111	10	Thimble	1
8	32166329	10	Bolt	1
10	0650588	2	Plug	
11	32416105	1	Plug	
12	0650582	1	Plug	
13	0920130	1	Washer	
14	32114501	1	Plug	
15	0650577	4	Plug	
16	32114481	1	Plug	
17	32417134	1	Plug	
18	32161114	1	Plug	
19	0650594	1	Plug	
20	32186127	1	Pin	
21	0650593	1	Plug	
22	36812349	1	Head Gasket	
23	32526312	2	Stud	
24	36277831	1	Bridge Piece	
25	32811408	2	Joint	
26	2176369	2	Screw	
27	0920521	2	Washer	
28	37513851	1	Housing	
29	2415391	1	Seal	
30	36817157	1	Joint	
31	0746211	10	Bolt	
32	0920003	10	Washer	
33	2172530	2	Capscrew	
34	33112111	2	Washer	
35	0350009	2	Dowel	
36	32114116	3	Plug	
40	0746451	1	Screw	
41	0920155	1	Washer	
42	0826233	1	Stud	

4  
SYLINTERIN KANSI  
CYLINDERLOCK  
CYLINDER HEAD  
ZYLINDERKOPF  
CULASSE

3-0075-028-A



AGCO Corporation  
Parts List Report

Massey Ferguson (Europe)  
MF 330 COMBINE  
Page 4 - CYLINDER HEAD - A4.236

Item	Part Number	Qty	Part Description	Comments
				A4.236
1	A5BD1135	1	Cylinder Head	
2	0650563	1	Plug	1
3	0650203	1	Plug	1
4	2411157	1	Washer	1
5	37532116	1	Cover	1
6	36851409	1	Joint	1
7	0746254	6	Setscrew	1
8	0920053	6	Washer	1
9	31431641	4	Valve Inlet	1
9	31431401	X	Valve Inlet	Thickness: +.08 MM/.003" 1
9	31431402	X	Valve Inlet	Thickness: +.38 MM/.015" 1
9	31431403	X	Valve Inlet	Thickness: +.76 MM/.030" 1
10	31431881	4	Valve Exhaust	1
10	31431411	X	Valve Exhaust	Thickness: +.08 MM/.003" 1
10	31431412	X	Valve Exhaust	Thickness: +.36 MM/.015" 1
10	31431413	X	Valve Exhaust	Thickness: +.76 MM/.030" 1
11	33152139	4	Insert	
12	33817117	8	Seal	1
12	33817118	X	Seal	Thickness: +.38 MM/.015" 1
12	33817119	X	Seal	Thickness: +.76 MM/.030" 1
13	0780273	8	Spring	1
14	0780272	8	Spring	1
15	33123117	8	Washer	1
16	33423147	8	Cap	1
17	33173108	8	Cotter	1
				(A)
18	33221316	2	Nut	
19	32181424	6	Screw	
20	32181425	12	Screw	
21	32181426	2	Screw	

---

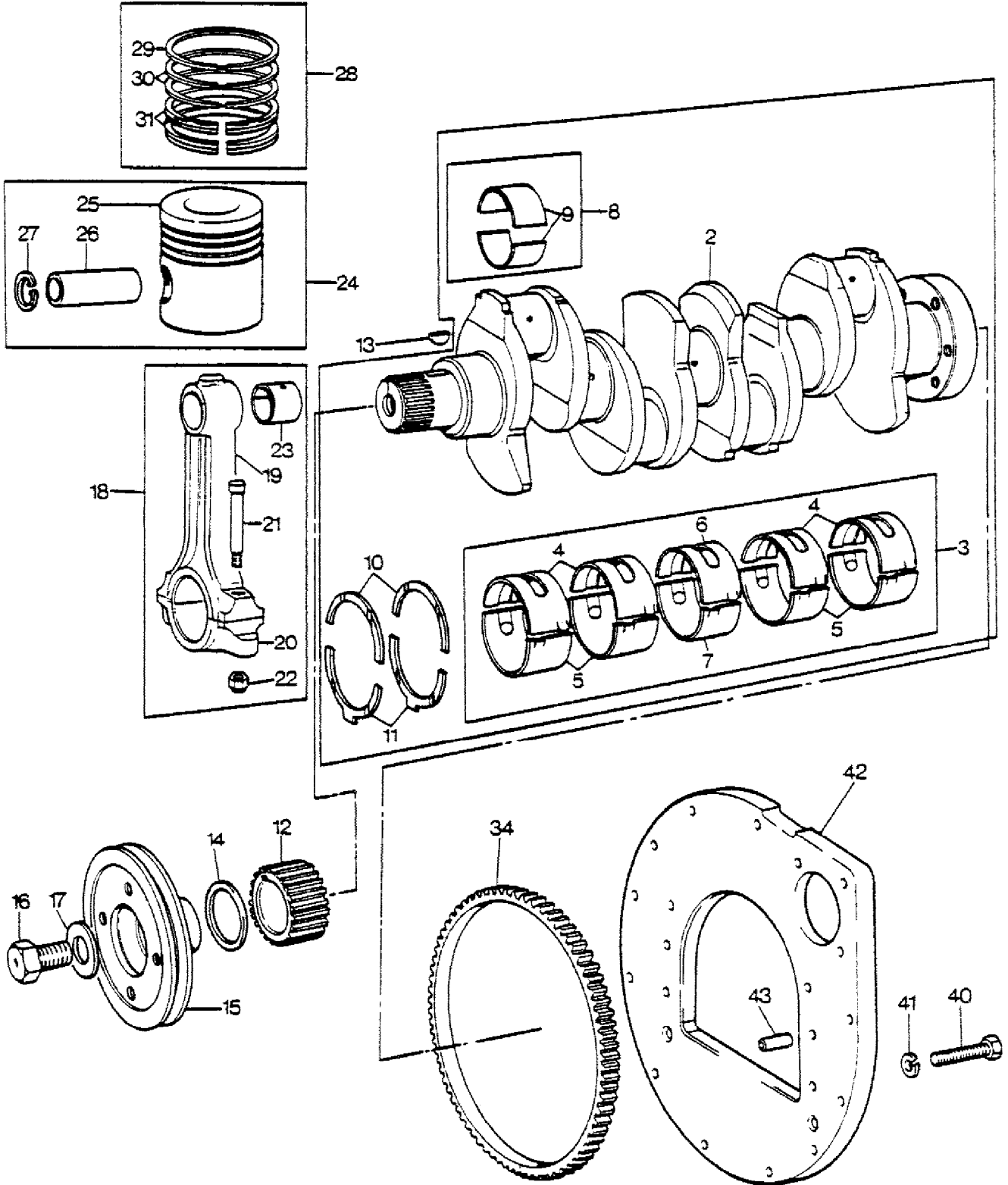
22	36177111	1	Plate
23	0746453	2	Setscrew
24	0920054	2	Washer
25	36177111	1	Plate
26	0096433	2	Bolt
27	0920054	2	Washer
28	37766622	1	Housing
29	2431154	1	Plug
30	36853514	1	Joint
31	0826434	1	Stud
32	0576051	1	Nut
33	0920054	1	Washer
35	2431154	1	Plug
36	24158201	4	Ring
37	0746255	2	Setscrew
38	0096237	1	Bolt
39	0920053	3	Washer
40	2485666	1	Thermostat
41	37735732	1	Connection
42	36834147	1	Joint
43	0096433	2	Bolt
44	0920054	2	Washer
45	0650203	1	Plug
46	2411157	1	Washer

(A)  
SERVICED IN PAIRS

---

KAMPIKONEISTO  
VEVMEKANISM  
CRANKSHAFT  
KURBELWELLE  
VILEBREQUIN

3-0080-027A



AGCO Corporation  
Parts List Report

Massey Ferguson (Europe)  
MF 330 COMBINE  
Page 8 - CRANKSHAFT - A4.236

Item	Part Number	Qty	Part Description	Comments
				A4.236
1	94433	1	Kit, Crankshaft	
2		1	Crankshaft	Not Serviced, Order 1
				1
3	81558	1	Kit, Bearing	1
				(A)
3	81558A	X	Kit, Bearing	Thickness: -.26 MM/.010"
				(A)
3	81558B	X	Kit, Bearing	Thickness: -.51 MM/.020"
				(A)
3	81558C	X	Kit, Bearing	Thickness: -.77 MM/.030"
				(A)
4		X	Bearing	3
				(A, D)
5		X	Bearing	3
				(A, D)
6		X	Bearing	3
				(A, D)
7		X	Bearing	3
				(A, D)
8	85042	1	Kit, Bearing	1
				(A)
8	85042A	X	Kit, Bearing	Thickness: -.26 MM/.010"
8	85042B	X	Kit, Bearing	Thickness: -.51 MM/.020"
8	85042C	X	Kit, Bearing	Thickness: -.77 MM/.030"
9		2	Bearing	8
				(A, D)
10	31137311	2	Washer	1
10	31137312	X	Thrust Washer	Thickness: +.19 MM/.007"
11	31137321	2	Washer	1
11	31137322	X	Thrust Washer	Thickness: +19 MM/.007"
12	31171681	1	Gear,Crankshaft	
13	0500012	1	Woodruff Key	
14	2411151	1	Washer	
15	31152681	1	Pulley	
16	32162319	1	Screw	
17	33125124	1	Washer	
18	M7BJ0015	4	Kit, Conrod	
19		1	Conrod	Not Serviced, Order 18

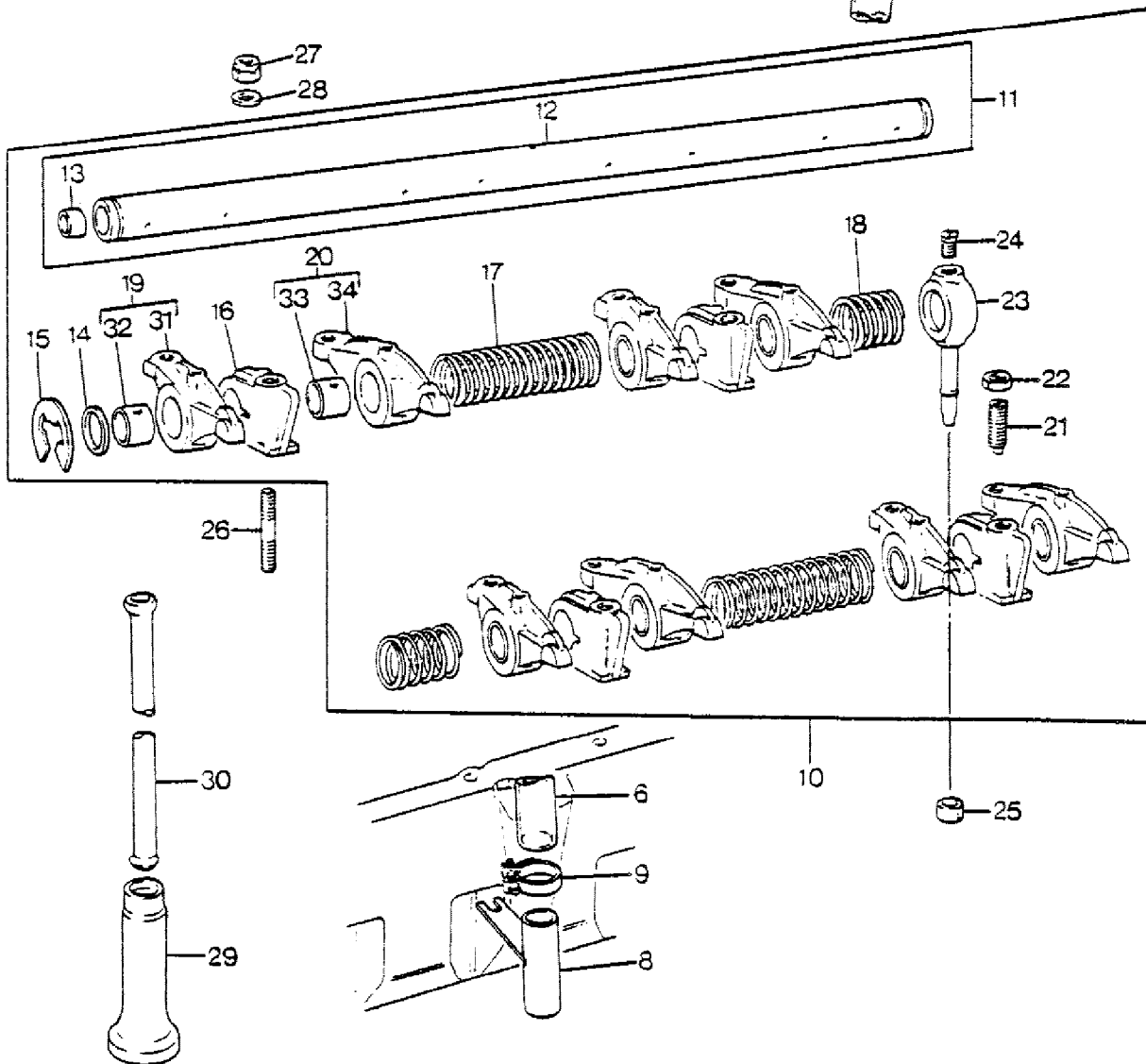
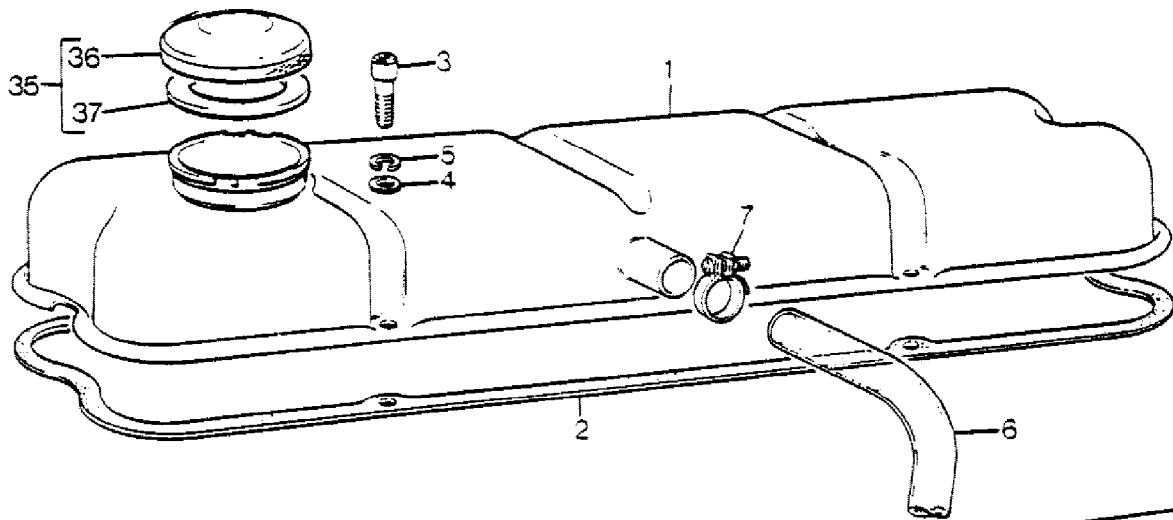
---

				18
20		1	Cap	Not Serviced, Order 18
				18
21	32762116	2	Bolt	18
22	33221328	2	Nut	18
23	31134123	1	Bush	18
24	68300	4	Kit, Piston	(S, D)
24	68301	4	Kit, Piston	(D, E)
24	68300C	X	Kit, Piston	Thickness: .77 MM/.030"
				(S, D)
24	68301C	X	Kit, Piston	Thickness: .77 MM/.030"
				(D, E)
25		1	Piston	(D)
				24
26		1	Pin	(D)
				24
27	0170002	2	Circlip	24
28	41158041	4	Kit, Piston Ring	
28	41158041C	X	Kit, Piston Ring	Thickness: +.77 MM/.030"
29		1	Ring	28
				(D)
30		2	Ring	28
				(D)
31		2	Ring	28
				(D)
34	0410236	1	Starter Ring	
40	0746456	6	Screw	
41	0920054	6	Washer	
42	37147995	1	Plate	
43	0350025	2	Dowel	
				(A)
				PRE-FINISHED
				(B)
				UNTOPPED
				(D)
				ORDER APPROPRIATE ASSEMBLY
				(E)
				PRE-TOPPED

---

VENTTIKONEISTO  
 VENTILMEKANISM  
 CYLINDER HEAD COVER  
 ZYLINDERKOPFDECKEL  
 CACHE CULBUTEURS

3-0085-028-A



AGCO Corporation  
Parts List Report

Massey Ferguson (Europe)

MF 330 COMBINE

Page 12 - CYLINDER HEAD COVER - A4.236

Item	Part Number	Qty	Part Description	Comments
				A4.236
1	37188141	1	Cyl.Head Cover	
2	36811131	1	Joint	
3	0746052	4	Bolt	
4	0920002	4	Washer	
5	0920052	4	Washer	
6	33872517	1	Pipe	
7	0180063	1	Clip	
8	3571144	1	Pipe	
9	0180063	1	Clip	
10	88677	1	Rocker Shaft	
11	83449	1	Rocker Shaft	10
12		1	Shaft	Not Serviced, Order 83449
				11
13	0650507	2	Plug	11
14	33117415	2	Washer	10
15	0170151	2	Circlip	10
16	37521331	4	Bracket	10
17	31744123	2	Spring	10
18	31743108	2	Spring	10
19	41151421	4	Lever	10
20	41151419	4	Lever	10
21	0720579	8	Screw	10
22	0576052	8	Nut	10
23	35511111	1	Pipe	10
24	0726504	1	Setscrew	10
25	33811113	1	Olive	
26	0826628	4	Stud	
27	2211284	4	Nut	
28	0920006	4	Washer	
29	31434163	8	Tappet	
30	31434307	8	Pushrod	
31		1	Lever	Not Serviced, Order 19
				19
32	2511425	1	Bush	19
33		1	Lever	Not Serviced, Order 20
				20
34	2511425		Bush	20
35	2487845	1	Cap	

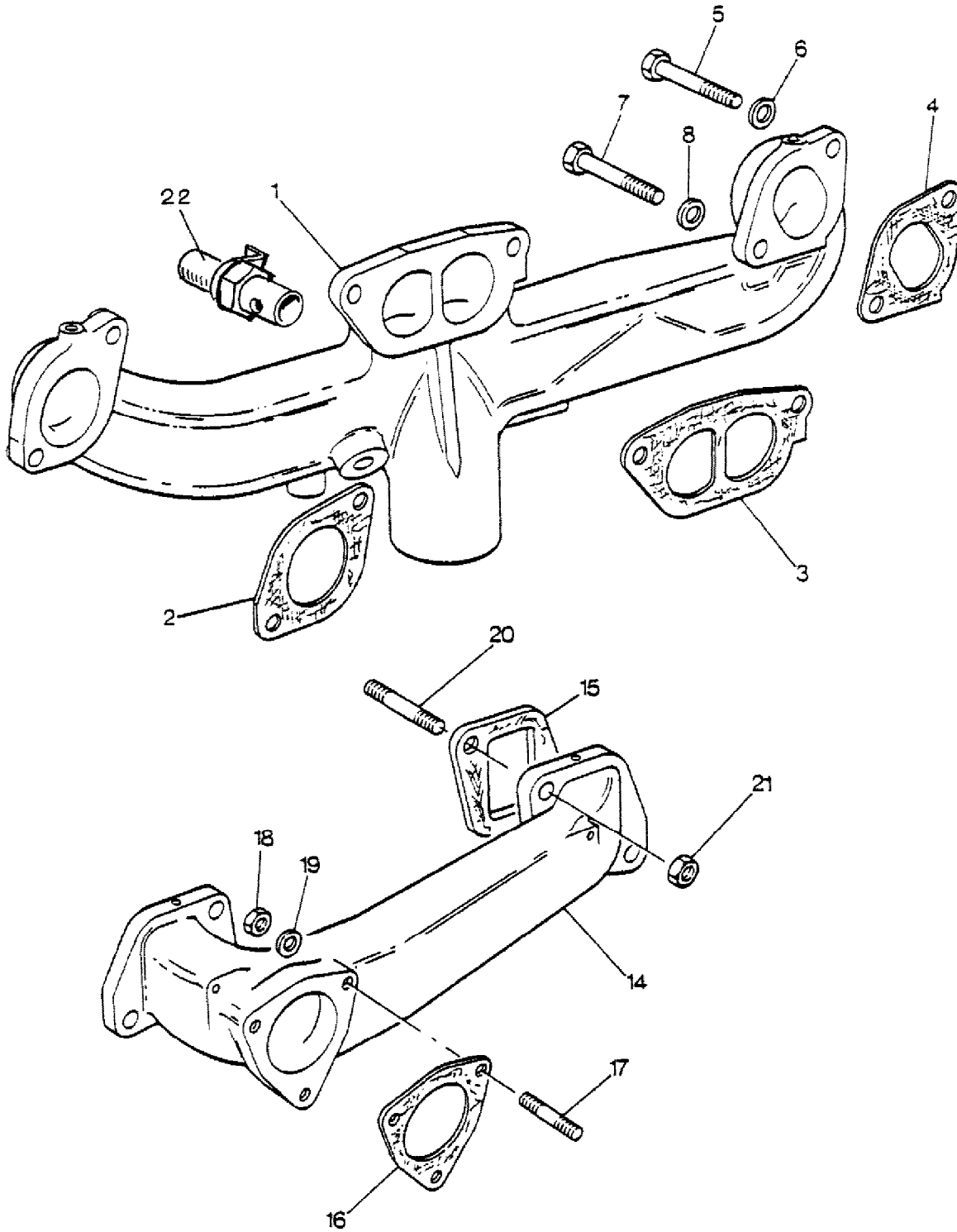
---

36		1	Cap	Not Serviced, Order 35
				35
37	24870001	1	Joint	35

---

IMU- JA POISTOSARJA  
INSUGNINGS- OCH AVLOPPSGRENÖR  
AIR INDUCTION AND EXHAUST SYSTEM  
LUFTANSÄVGUNG UND AUSPUFF  
ADMISSION D'AIR ET ECHAPPEMENT

3-0305-016-A



AGCO Corporation  
Parts List Report

Massey Ferguson (Europe)  
MF 330 COMBINE

Page 14 - AIR INDUCTION AND EXHAUST SYSTEM - A4.236

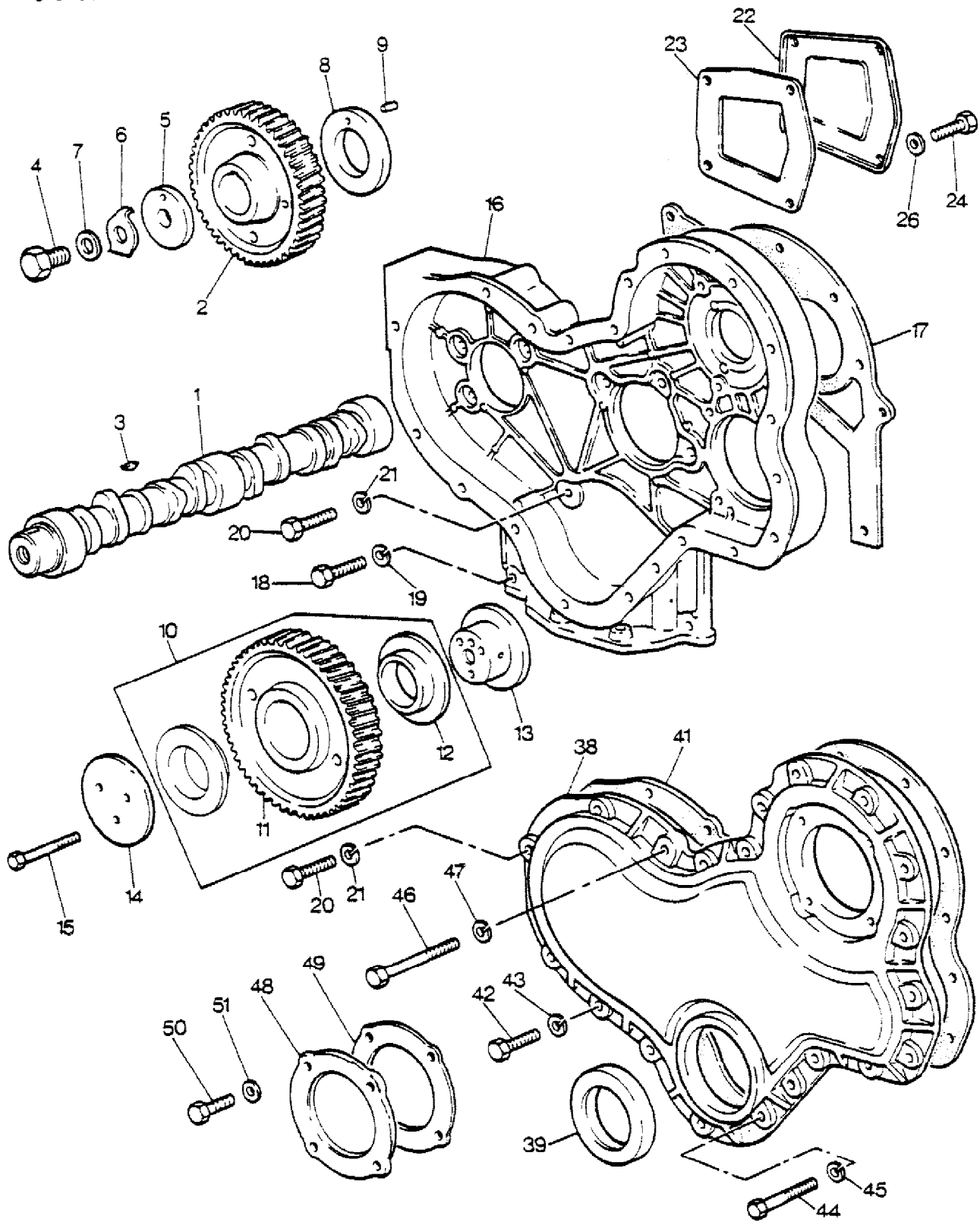
---

Item	Part Number	Qty	Part Description	Comments
				A4.236
1	3777E011	1	Induct.Manifold	
2	36866462	1	Joint	
3	36862133	1	Joint	
4	36862131	1	Joint	
5	0096439	1	Bolt	
6	0920054	1	Washer	
7	0746424	5	Bolt	
8	0920054	5	Washer	
14	37781321	1	Exhaust Manifold	
15	36862134	2	Gasket	
16	36822111	1	Joint	
17	0826439	3	Stud	
18	2188135	3	Nut	
19	0920005	3	Washer	
20	0826439	4	Stud	
21	2188135	4	Nut	
22	2666108	1	Intake Heater	

---

HAMMASPYÖRÄKOTELO  
 KUGGHJULSKÄPA  
 TIMING GEAR  
 STEUERUNG  
 DISTRIBUTION

3-0100-025-A



AGCO Corporation  
Parts List Report

Massey Ferguson (Europe)  
MF 330 COMBINE  
Page 16 - TIMING GEAR - A4.236

Item	Part Number	Qty	Part Description	Comments
				A4.236
1	31415292	1	Camshaft	
2	31171353	1	Gear,Camshaft	
3	0500012	1	Woodruff Key	
4	2182122	1	Setscrew	
5	33153128	1	Washer	
6	31733121	1	Washer	
7	33115408	1	Washer	
8	33153121	1	Washer	
9	2116053	1	Pin	
10	41115023	1	Idler	
11		1	Gear	Not Serviced, Order 41115023
				10
12	0050345	2	Bush	10
13	33426161	1	Hub	
14	0941082	1	Plate	
15	0096439	3	Bolt	
16	37161901	1	Timing Case	
17	36814127	1	Joint	
18	0746255	9	Setscrew	
19	0920053	9	Washer	
20	0746454	1	Setscrew	
21	0920054	1	Washer	
22	37556146	1	Plate	
23	36866428	1	Joint	
24	0748505	4	Screw	
25	2411152	4	Washer	
38	37166411	1	Timinggear Cover	
39	32116	1	Seal	
41	36813138	1	Joint	
42	0746255	12	Setscrew	
43	0920053	12	Washer	
44	0746255	3	Setscrew	
45	2411152	3	Washer	
46	0096238	4	Bolt	
47	0920053	4	Washer	
48	37556117	1	Cover	
49	36825107	1	Joint	
50	0746252	4	Screw	

---

---

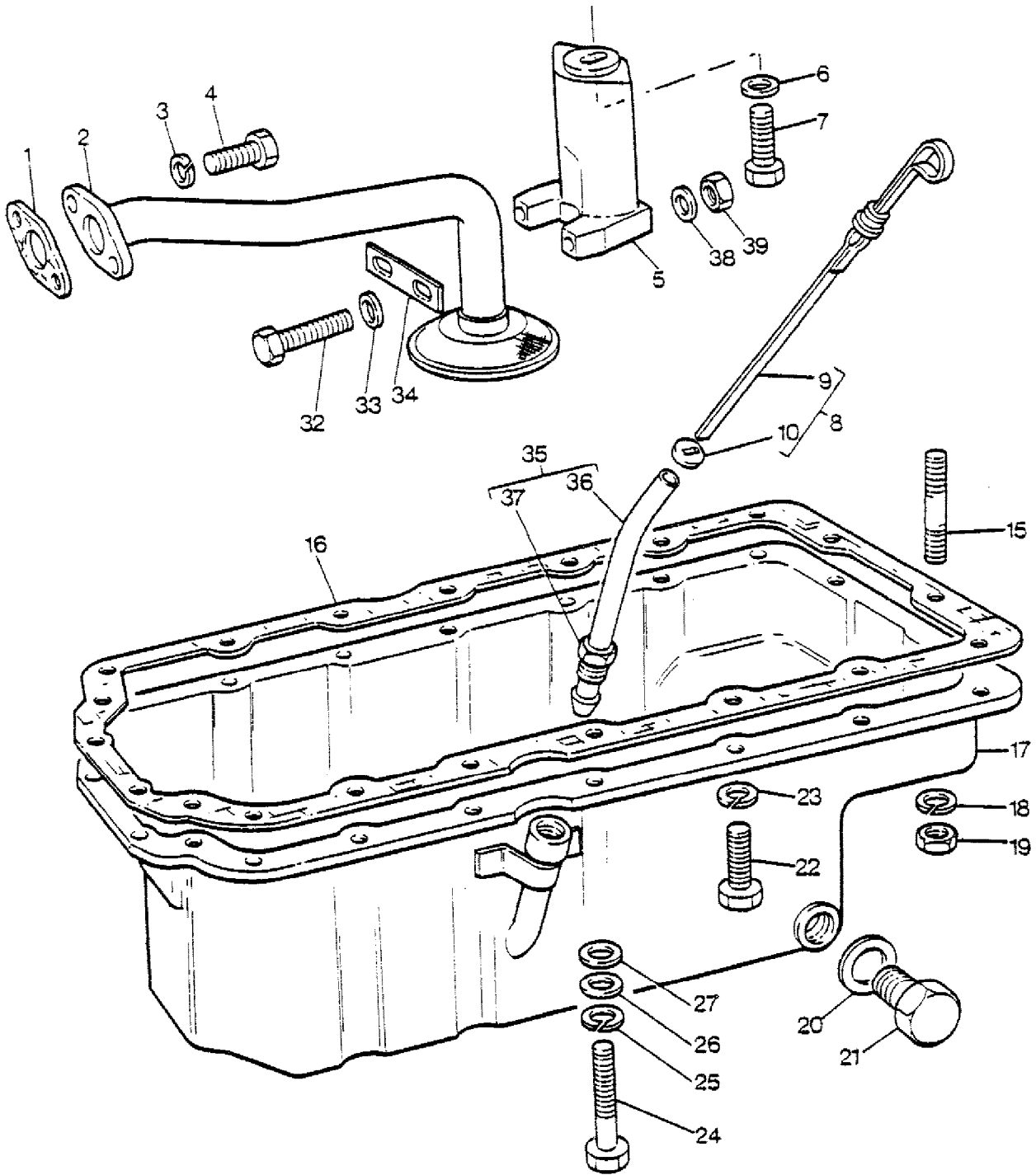
51	2411152	4	Washer
----	---------	---	--------

---

---

ÖLJYPOHJA  
 OLJETRÅG  
 LUBRICATING OIL SUMP  
 OELWANNE  
 CARTER D'HUILE

3-0440-025-A



AGCO Corporation  
Parts List Report

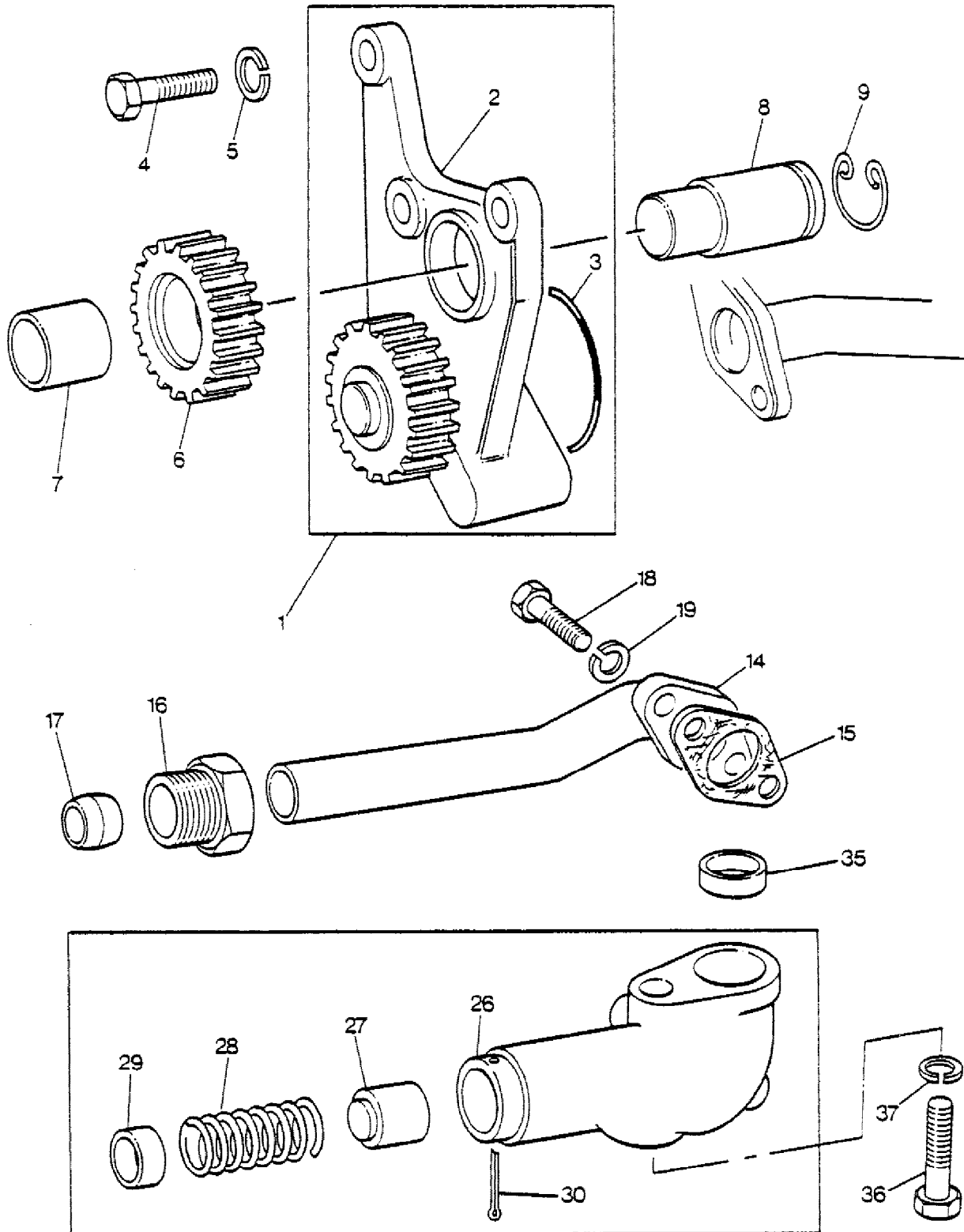
Massey Ferguson (Europe)

MF 330 COMBINE

Page 18 - LUBRICATING OIL SUMP - A4.236

Item	Part Number	Qty	Part Description	Comments
				A4.236
1	36832122	1	Joint	
2	35721726	1	Pipe,Oil	
3	0920053	2	Washer	
4	0746254	2	Setscrew	
5	3824A001	1	Bracket	
6	0330807	1	Spacer	
7	0746211	1	Bolt	
8	31788354	1	Dipstick	
9		1	Dipstick	Not Serviced, Order 8
				8
10	33812108	1	Washer	8
15	0826214	2	Stud	
16	36815715	1	Joint	
17	37171129	1	Sump	
18	0920053	2	Washer	
19	0576002	2	Nut	
20	2411260	2	Washer	
21	2487004	2	Plug	
22	0746253	17	Screw	
23	0920053	17	Washer	
24	0746211	1	Bolt	
25	0920053	1	Washer	
26	0920003	1	Washer	
27	0920460	1	Spacer	
32	0096040	2	Screw	
33	0920002	2	Washer	
34	3611V001	1	Clip	
35	35772641	1	Tube	
36		1	Tube	Not Serviced, Order 35
				35
37	33533103	1	Nut	35
38	0920002	2	Washer	
39	0576002	2	Nut	

3-0450-001-A



AGCO Corporation  
Parts List Report

Massey Ferguson (Europe)

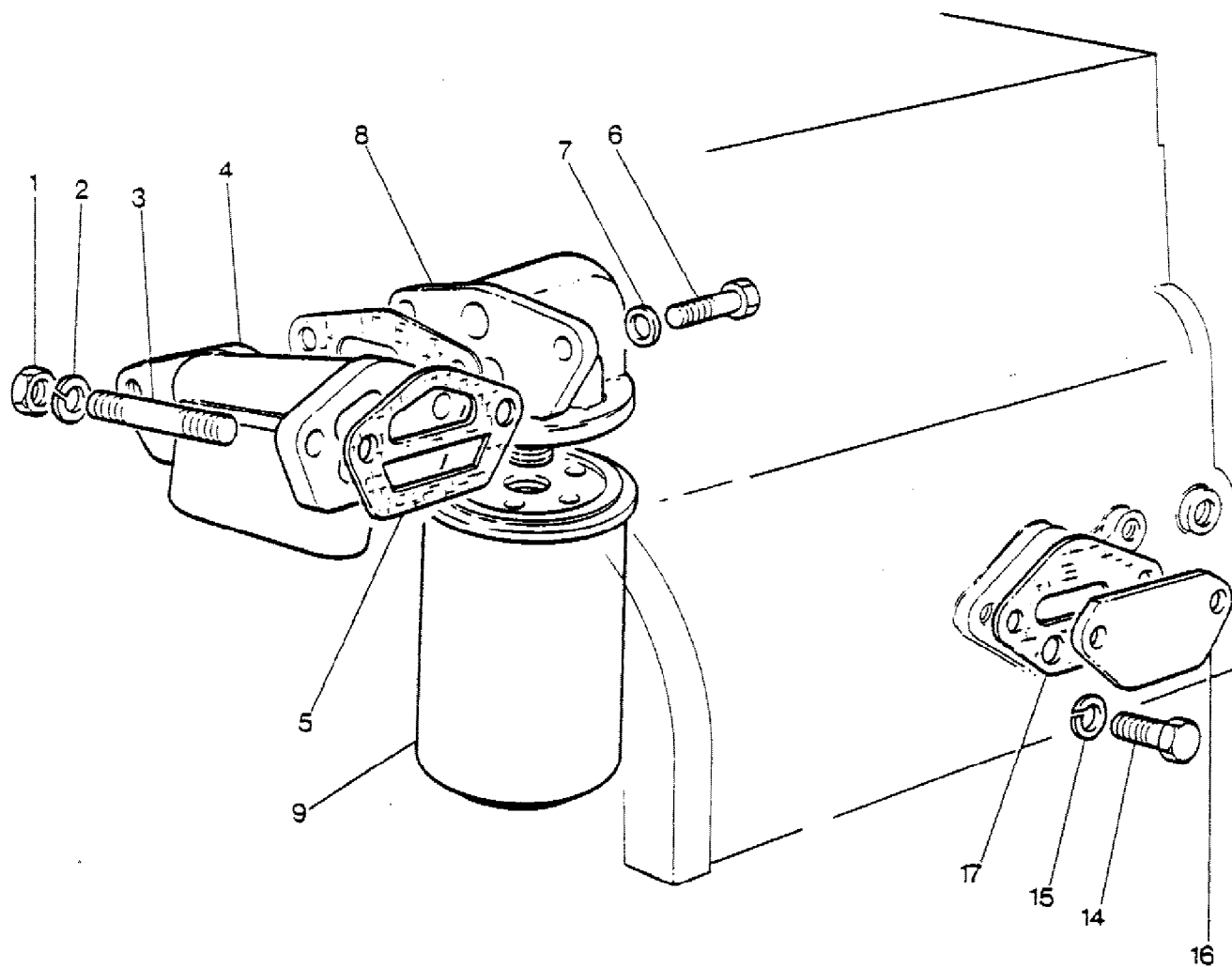
MF 330 COMBINE

Page 20 - LUBRICATING OIL PUMP - A4.236

Item	Part Number	Qty	Part Description	Comments
				A4.236
1	41314054	1	Pump	
2		1	Pump	Not Serviced, Order 1 1
3	2415811	1	O Ring	1
4	0746255	3	Setscrew	
5	0920053	3	Washer	
6	31171461	1	Gear	
7	2511432	1	Bush	
8	32716117	1	Shaft	
9	2722A206	1	Circlip	
14	35714104	1	Pipe,Oil	
15	0490355	1	Joint	
16	33532121	1	Union	
17	0560244	1	Olive	
18	0746052	2	Bolt	
19	0920052	2	Washer	
25	41371078	1	Relief Valve	
26		1	Housing	Not Serviced, Order 25 25
27	32712715	1	Plunger	25
28	31742128	1	Spring	25
29	33157122	1	Cap	25
30	0610012	1	Pin	25
35	33137408	1	Thimble	
36	0096438	1	Bolt	
37	0920054	1	Washer	

VOITELUÖLJYN SUODATIN  
SMÖRJOLJEFILTER  
LUBRICATING OIL FILTER  
OELFILTER  
FILTRE A HUILE

3-0445-024-A



AGCO Corporation  
Parts List Report

Massey Ferguson (Europe)

MF 330 COMBINE

Page 22 - LUBRICATING OIL FILTER - A4.236

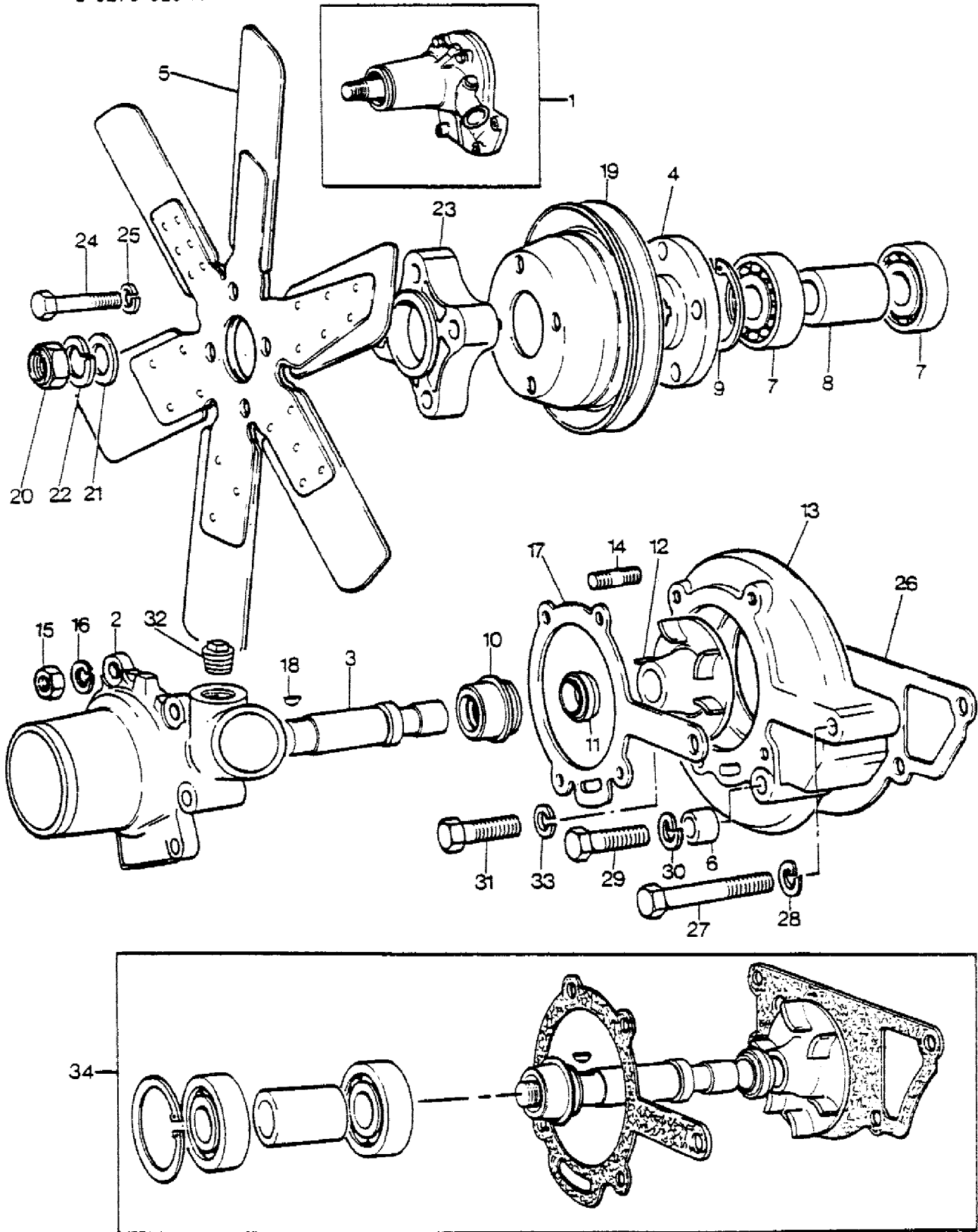
---

Item	Part Number	Qty	Part Description	Comments
				A4.236
1	0576054	2	Nut	
2	0920055	2	Washer	
3	0826608	2	Stud	
4	37763941	1	Adaptor	
5	36862517	2	Joint	
6	0746610	2	Bolt	
7	33115118	2	Washer	
8	41321032	1	Filter Head	
9	2654403	1	Oil Filter	
14	0746651	2	Screw	
15	0920055	2	Washer	
16	36231412	1	Plate	
17	36862523		Joint	

---

JÄÄHDYTYSPPUMPU  
KYLVATTENPUMP  
WATER PUMP  
WASSERPUMPE  
POMPE A EAU

3-0275-025-A



AGCO Corporation  
Parts List Report

Massey Ferguson (Europe)  
MF 330 COMBINE  
Page 24 - WATER PUMP - A4.236

Item	Part Number	Qty	Part Description	Comments
				A4.236
1	41313201	1	Pump	
2		1	Body	Not Serviced, Order 41313212 1
3		1	Shaft	Not Serviced, Order 89034 1
4	33476111	1	Hub	
5	32157003	1	Fan	
6	0920465	1	Spacer	
7		2	Bearing	Not Serviced, Order 89034 1
8		1	Spacer	Not Serviced, Order 89034 1
9	0170040	1	Circlip	1
10	2415216	1	Seal	1
11	2417208	1	Seal	1
12		1	Impeller	Not Serviced, Order 89034 1
13	37711662	1	Body	
14	0826212	4	Stud	
15	0576002	4	Nut	
16	0920053	4	Washer	
17	36866724	1	Joint	
18	0500006	1	Woodruff Key	
19	31146013	1	Pulley,Waterpump	
20	0576007	1	Nut	
21	0920009	1	Washer	
22	0920058	1	Washer	
23	37413591	1	Spacer	
24	0096234	4	Bolt	
25	0920053	4	Washer	
26	36867157	1	Joint	
27	0096439	2	Bolt	
28	0920054	2	Washer	
29	0096440	1	Screw	
30	0920054	1	Washer	
31	0096443	1	Bolt	
32	2431154	1	Plug	
33	0920054	1	Washer	

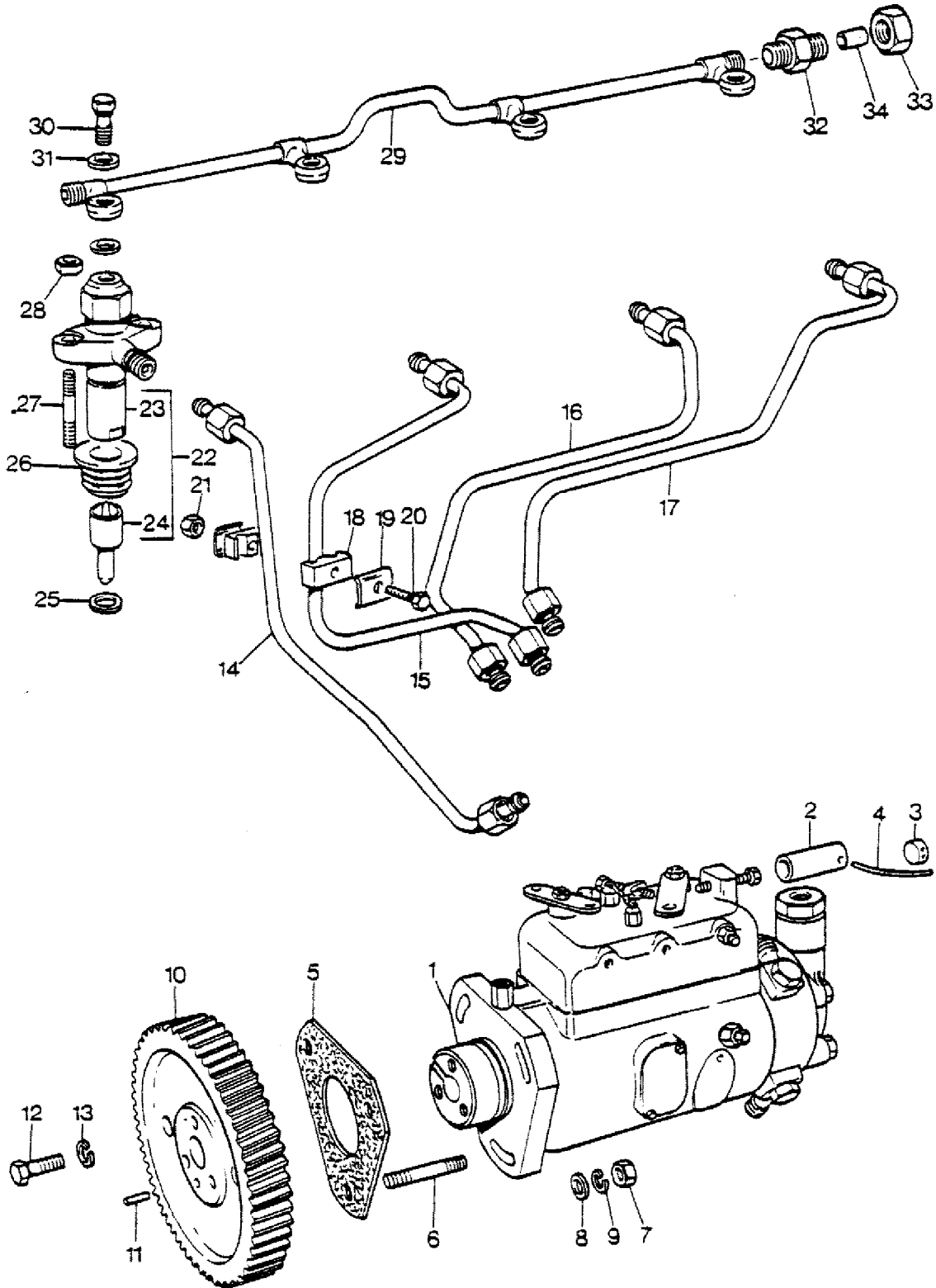
---

34	89034	X	Kit, Repair
----	-------	---	-------------

---

RUIKUTUSPUMPPU  
 INSPRUTNINGSPUMP  
 FUEL INJECTION EQUIPMENT  
 EINSPRITZANLAGE  
 SYSTEME D'INJECTION

3-0400-029-A



AGCO Corporation  
Parts List Report

Massey Ferguson (Europe)

MF 330 COMBINE

Page 26 - FUEL INJECTION EQUIPMENT - A4.236

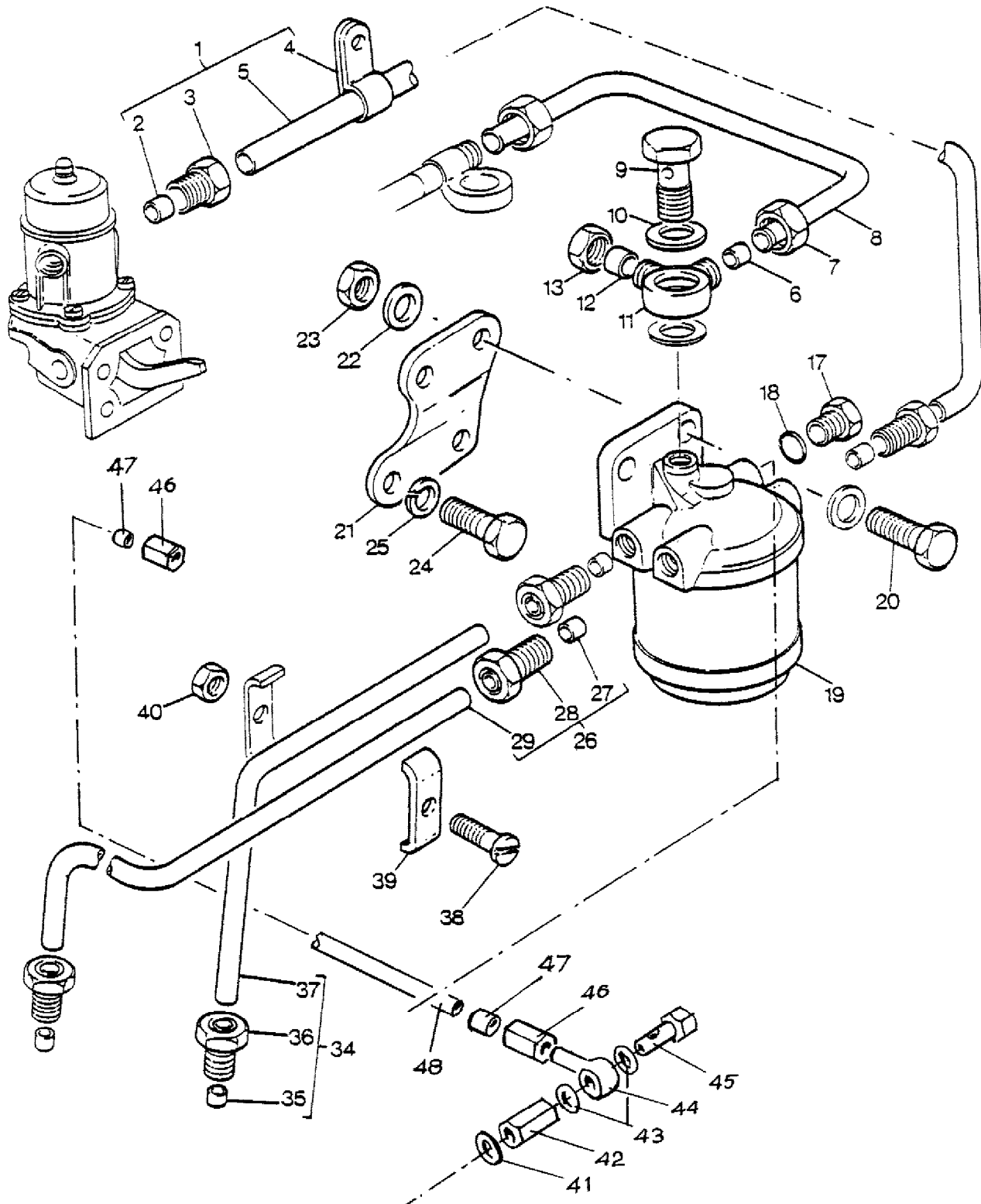
Item	Part Number	Qty	Part Description	Comments
				A4.236
1	38322	1	Injection Pump	(C)
2	2644951	1	Sleeve	
3	31718104	1	Seal	
4	31718105	1	Wire	
5	0490685	1	Joint	
6	0826277	3	Stud	
7	0576002	3	Nut	
8	0920003	3	Washer	
9	0920053	3	Washer	
10	31171524	1	Gear,Fuel Pump	
11	2116078	1	Dowel	
12	0746254	3	Setscrew	
13	0920053	3	Washer	
14	35343025	1	Injection Pipe	NO. 1
15	35343026	1	Injection Pipe	NO. 2
16	35343027	1	Injection Pipe	NO. 3
17	35343028	1	Injection Pipe	NO. 4
18	36844116	4	Bridle	
19	36511123	4	Plate	
20	0726260	2	Bolt	
21	0571350	2	Nut	
22	2645647	4	Atomiser	
23	2646466	1	Holder	22
24	2646831	1	Nozzle	22
25	0921173	4	Washer	
26	3381P003	4	Seal	
27	0826243	8	Stud	
28	0576002	8	Nut	
29	3558X005	1	Leak-Off Pipe	
30	0095315	4	Banjo Bolt	
31	0921176	8	Washer	
32	0206102	1	Union	
33	33225412	1	Union Nut	
34	33811112	1	Olive	

(C)

COMPONENT PARTS SUPPLIED BY C.A.V. LTD

POLTTOAINEEN PUHDISTIMET PUTKINEEN  
 BRÄNSLEFILTER MED RÖR  
 FUEL FILTERS AND PIPES  
 KRAFTSTOFFILTER UND LEITUNGEN  
 FILTRE A CARBURANT ET TUYAUTERIES

3-0390-018-A



AGCO Corporation  
Parts List Report

Massey Ferguson (Europe)

MF 330 COMBINE

Page 28 - FUEL FILTERS AND PIPES - A4.236

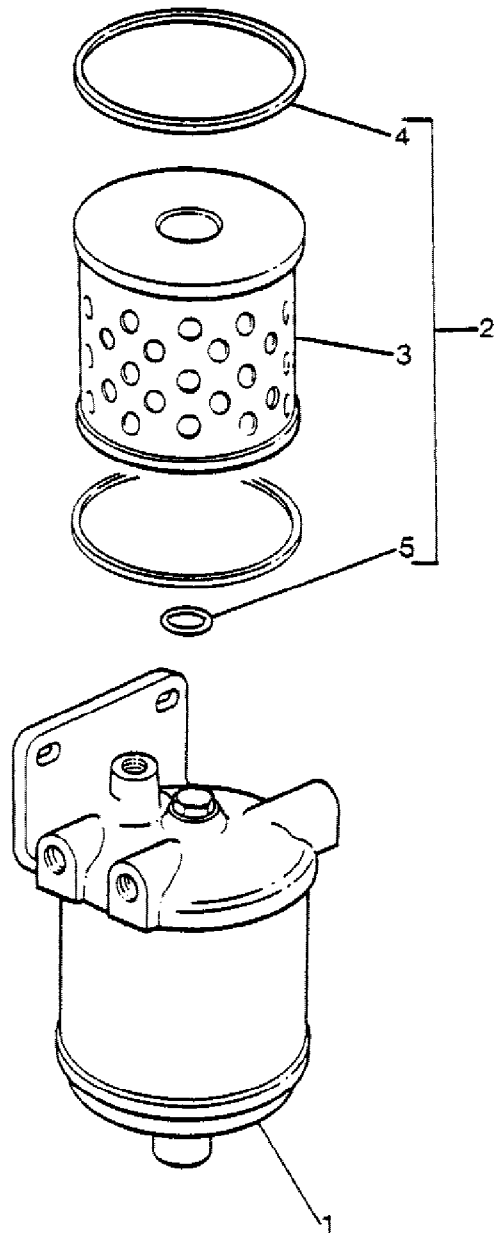
Item	Part Number	Qty	Part Description	Comments
				A4.236
1	4124P002	1	Fuel Pipe	
2	33811113	2	Olive	1
3	33532128	2	Nut	1
4	0180173	1	Clip	1
5		1	Tube	Not Serviced, Order 1 1
6	33811112	2	Olive	
7	33225412	2	Union Nut	
8	34236123	1	Pipe	
9	0095344	1	Bolt	
10	0920146	2	Washer	
11	0201467	1	Connection	
12	33811113	1	Olive	
12	33225413	1	Union Nut	
17	0650204	1	Plug	
18	0920154	1	Washer	
19	2656613	1	Fuel Filter	See Page/Reference Number 30/1
20	0096431	2	Bolt	
21	0920004	2	Washer	
22	36548441	1	Bracket	
23	0920054	2	Washer	
24	0746453	2	Setscrew	
25	0920054	2	Washer	
26	35845039	1	Pipe,Fuel	
27	33811113	2	Olive	26
28	33532128	2	Nut	26
29		1	Tube	Not Serviced, Order 26 26
34	35846057	1	Pipe,Fuel	
35	33811113	2	Olive	34
36	33532128	2	Nut	34
37		1	Tube	Not Serviced, Order 34 34
38	0726264	1	Screw	
39	36516118	2	Clip	
40	0571350	1	Nut	
41	2411141	1	Washer	
42	2658207	1	Non Return Valve	

---

43	0920127	2	Washer
44	0201099	1	Connection
45	0095332	1	Bolt
46	33225412	2	Union Nut
47	33811112	2	Olive
48	4126023	1	Pipe

---

3-0393-005-A



AGCO Corporation  
Parts List Report

Massey Ferguson (Europe)  
MF 330 COMBINE  
Page 30 - FUEL FILTER - A4.236

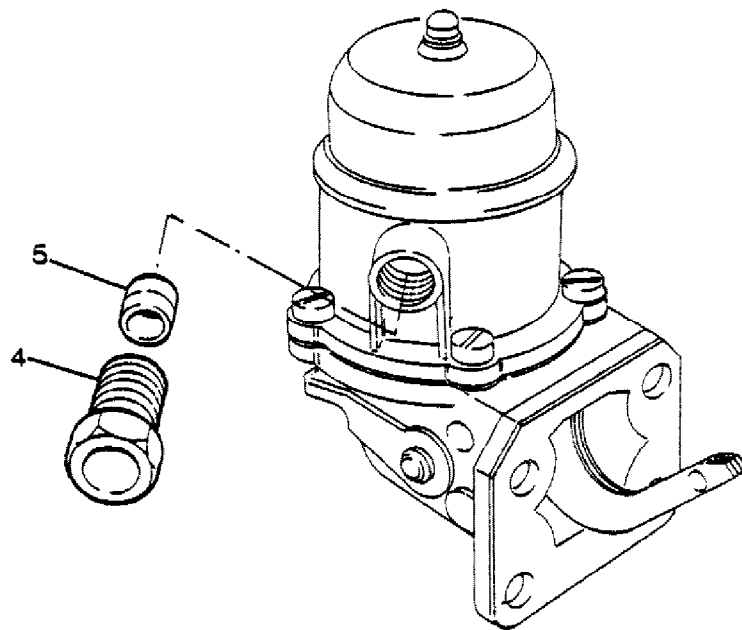
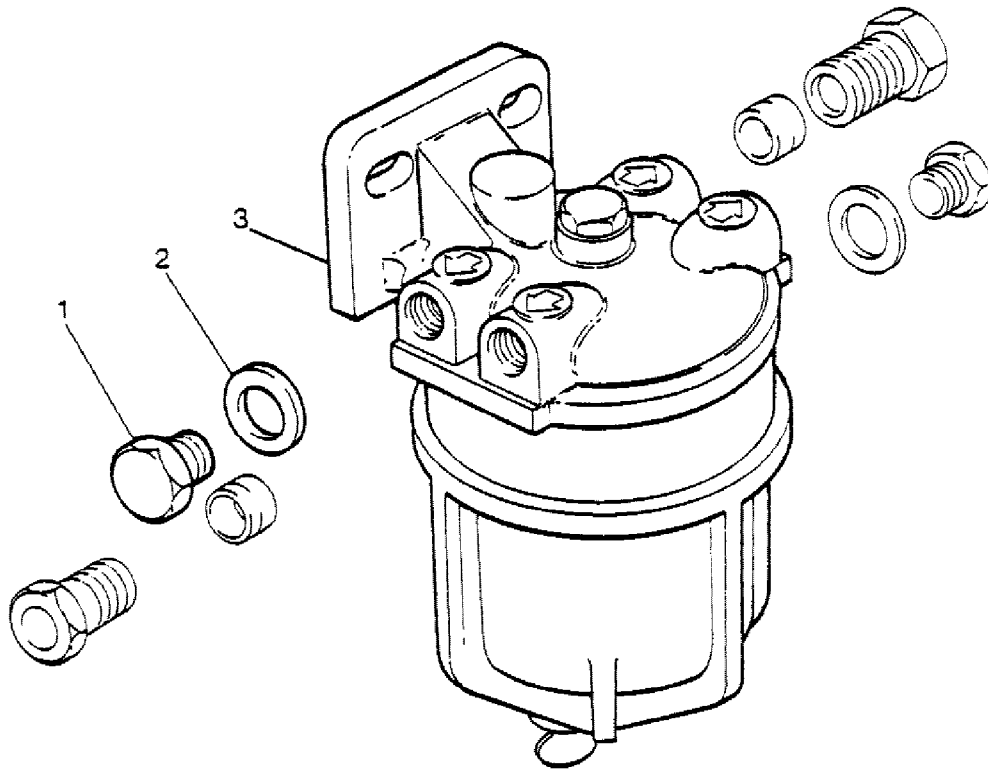
---

Item	Part Number	Qty	Part Description	Comments
				A4.236
1	2656613	1	Fuel Filter	See Page/Reference Number 28/19
2	26560017	1	Kit, Element	Alternative 26561117
				1
2	26561117	1	Kit, Element	Alternative 26560017
				1
3		1	Element	Not Serviced, Order 1
				2
4	0490786	2	Joint	1
5	26560014	1	Seal	1

---

POLTTOAINEEN ESISUODATIN  
FÖRFILTER FÖR BRÄNSLE  
PRE-FUEL FILTER  
VORKRAFTSTOFFILTER  
PRE-FILTRE A CARBURANT

3-0394-001-A



AGCO Corporation  
Parts List Report

Massey Ferguson (Europe)

MF 330 COMBINE

Page 32 - PRE-FUEL FILTER - A4.236

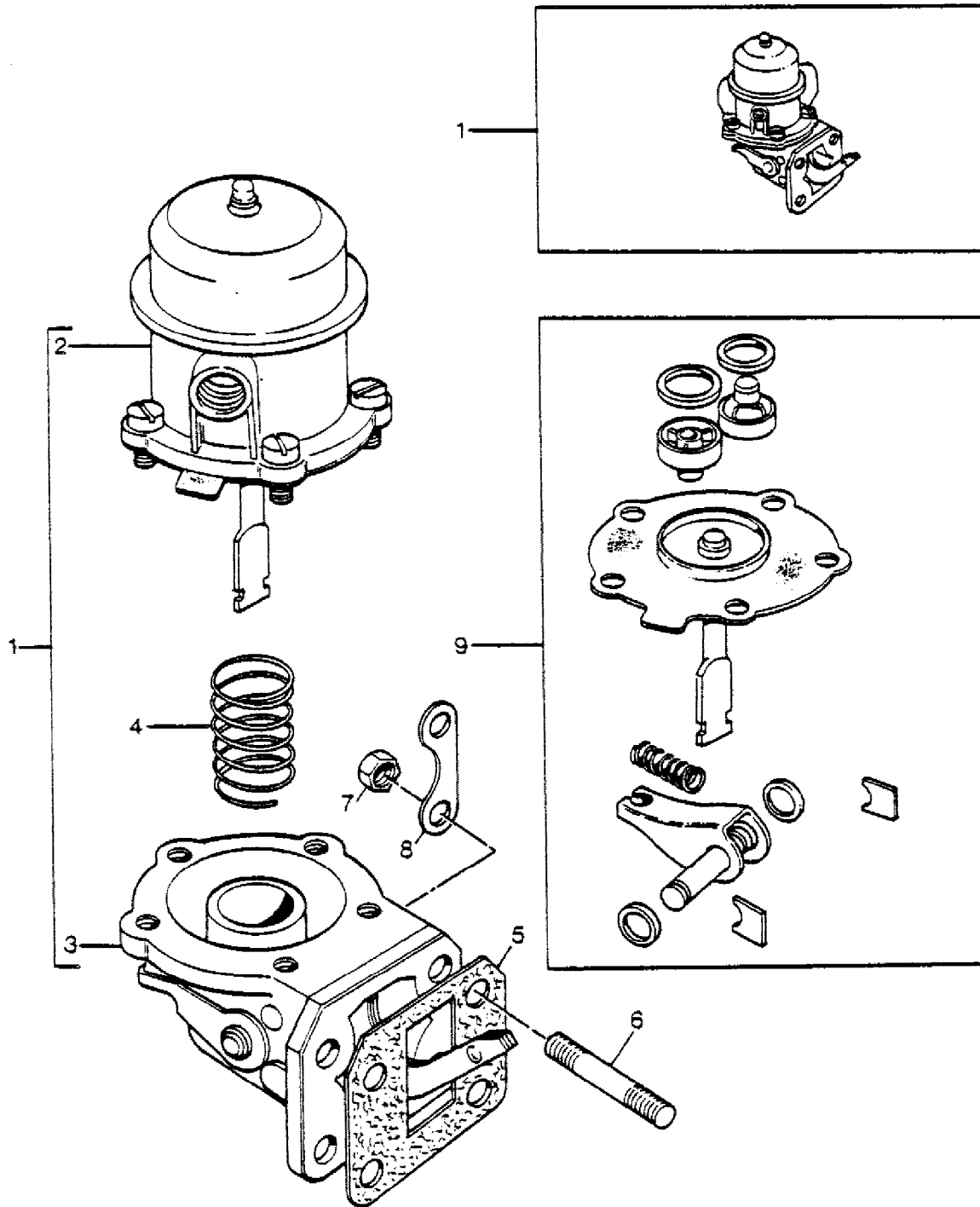
---

Item	Part Number	Qty	Part Description	Comments
				A4.236
1	0650204	2	Plug	
2	0920154	2	Washer	
3	2656088	1	Filter	
4	33532129	3	Nut	
5	0566004	3	Olive	

---

POLTTOAINEPUMPPU  
MATARPUMP  
FUEL OIL LIFT PUMP  
KRAFTSTOFFOERDERPUMPE  
POMPE D'ALIMENTATION

3-0395-032-A



AGCO Corporation  
Parts List Report

Massey Ferguson (Europe)

MF 330 COMBINE

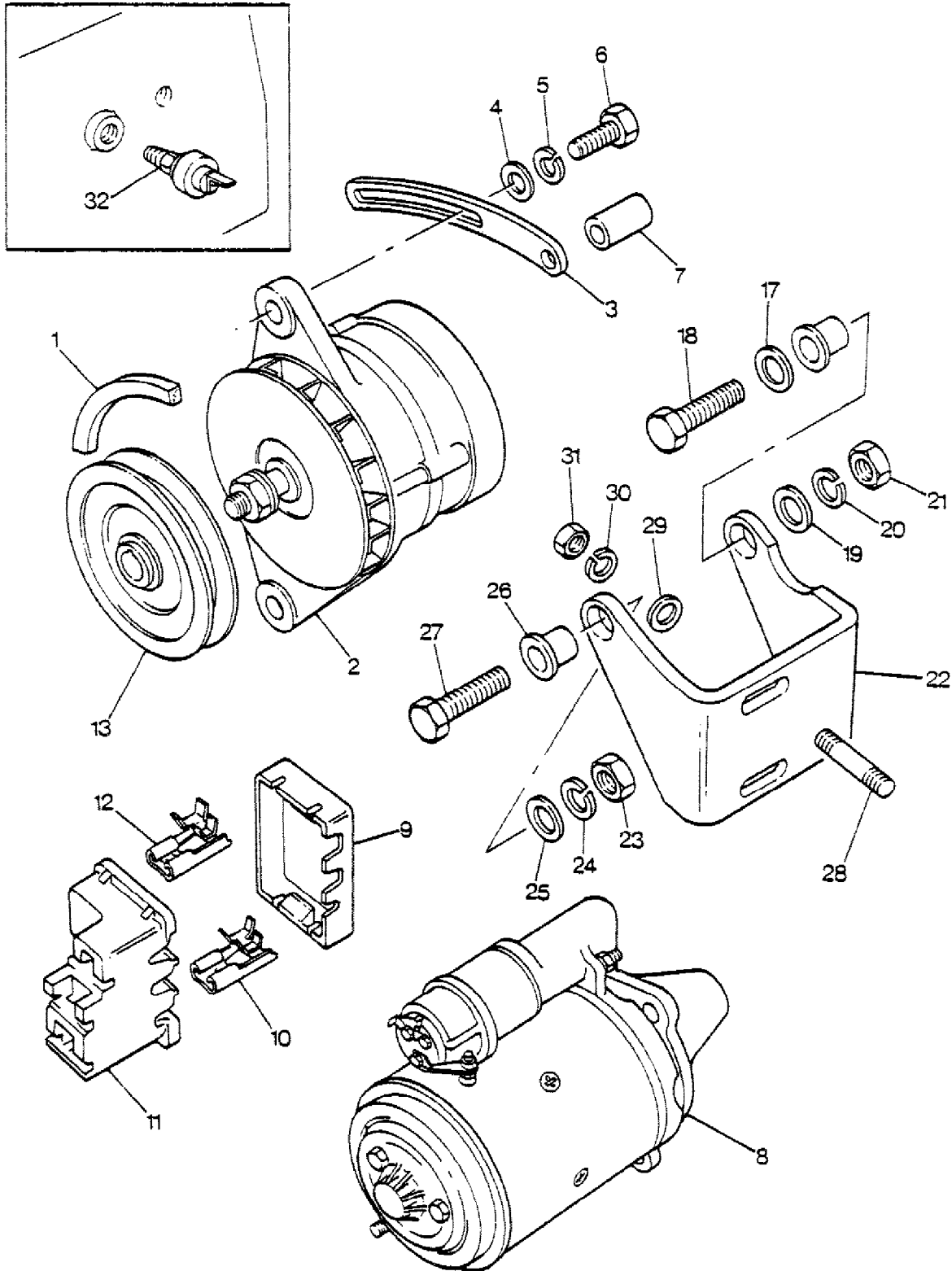
Page 34 - FUEL OIL LIFT PUMP AND FILTER - A4.236

---

Item	Part Number	Qty	Part Description	Comments
				A4.236
1	2641709	1	Lift Pump	
2		1	Housing	Not Serviced, Order 1 1
3		1	Body	Not Serviced, Order 1 1
4	0780240	1	Spring	001
5	36851113	1	Joint	
6	0826222	4	Stud	
7	33221115	4	Nut	
8	36241316	2	Plate	
9	26410087	X	Kit, Repair	

---

3-0151-001-A



AGCO Corporation  
Parts List Report

Massey Ferguson (Europe)

MF 330 COMBINE

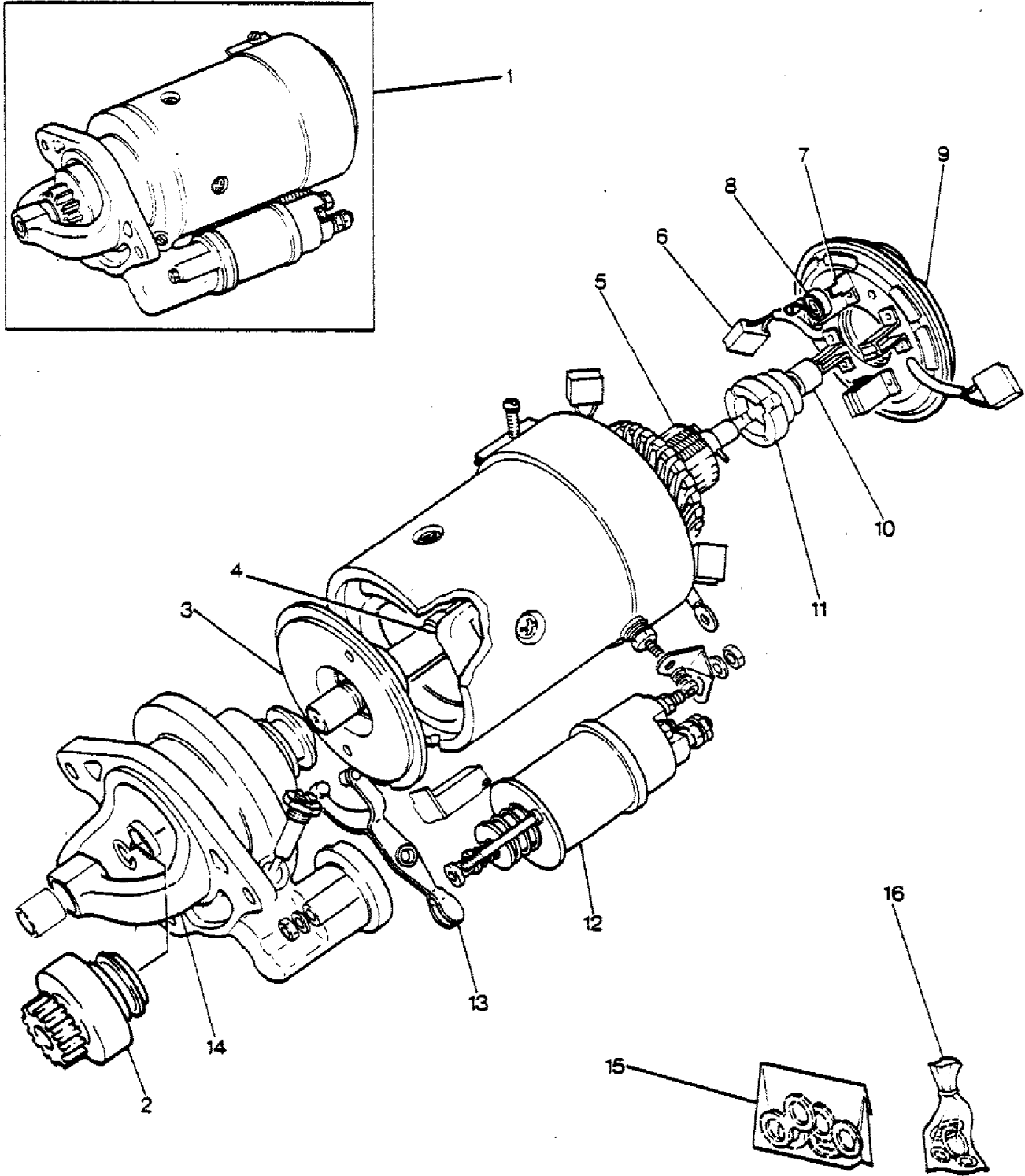
Page 36 - ELECTRICAL EQUIPMENT - ENGINE

Item	Part Number	Qty	Part Description	Comments
				ENGINE
				A4.236
1	2614B050	1	Belt	
2	2871A105	1	Alternator	See Page/Reference Number 40/1
3	36178128	1	Lever	
4	0920497	1	Washer	
5	2134A008	1	Washer	
6	2314C044	1	Setscrew	
7	33245132	1	Spacer	
8	2873006	1	Startermotor	See Page/Reference Number 38/1
9	2816940	1	Cover	
10	2815560	1	Terminal	
11	2816939	1	Connector	
12	2815559	1	Connector	
13	31141677	1	Pulley,Alternatr	
17	0920497	1	Washer	
18	0096234	1	Bolt	
19	0920003	1	Washer	
20	0920053	1	Washer	
21	0576002	1	Nut	
22	38164125	1	Bracket	
23	0576002	1	Nut	
24	0920053	1	Washer	
25	0920003	1	Washer	
26	33421127	2	Sleeve	
27	0096231	1	Setscrew	
28	0826492	1	Stud	
29	0920004	1	Washer	
30	0920054	1	Washer	
31	0576051	1	Nut	
32	2848062	1	Switch	

KÄYNNISTINMOOTTORI  
STARTMOTOR  
STARTER  
ANLASSER  
DEMARREUR

LUCAS  
LUCAS  
LUCAS  
LUCAS  
LUCAS

3-0182-004-A

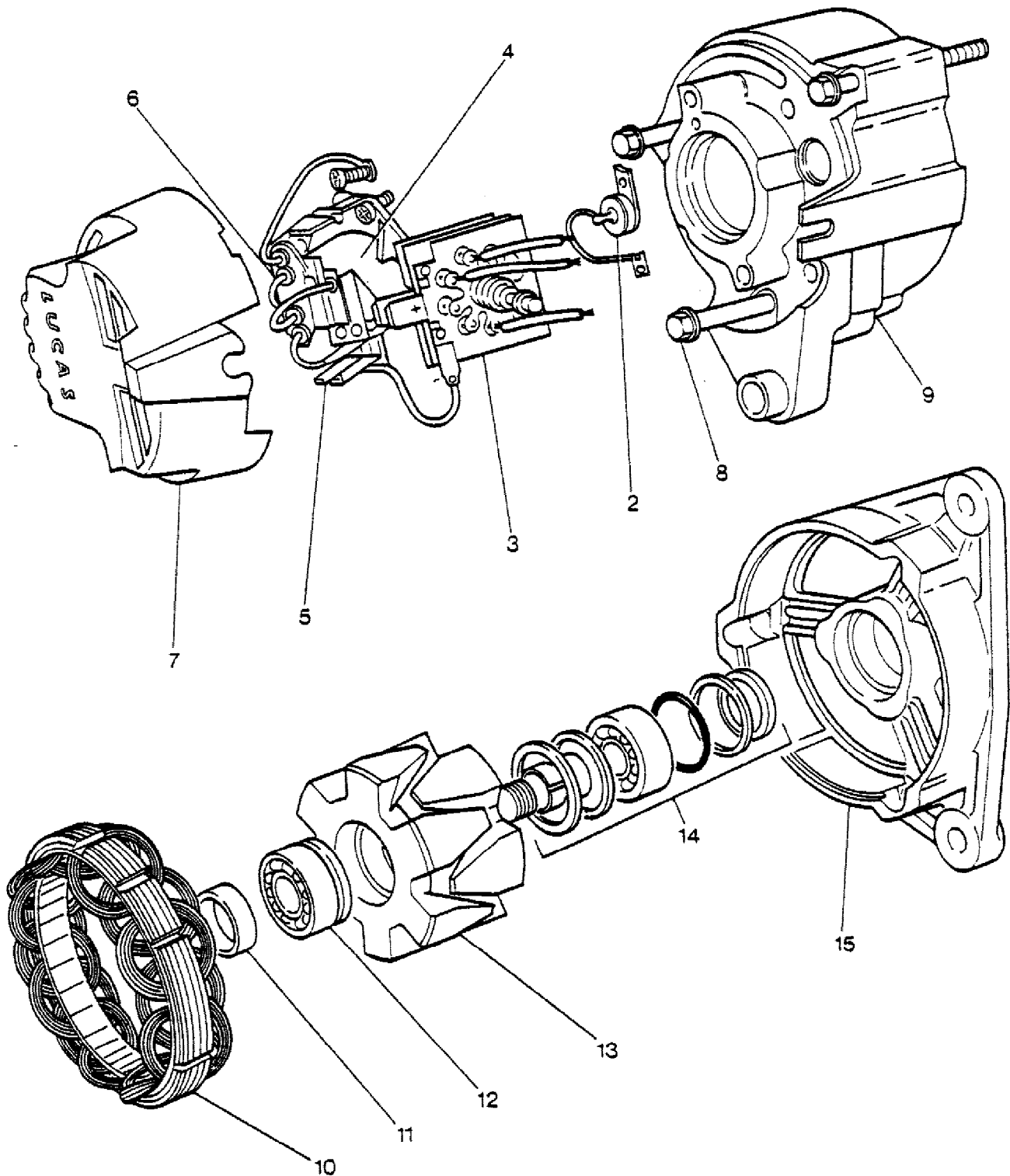


AGCO Corporation  
Parts List Report

Massey Ferguson (Europe)  
MF 330 COMBINE  
Page 38 - STARTER-LUCAS - LUCAS

Item	Part Number	Qty	Part Description	Comments
				LUCAS
1	2873006	1	Statermotor	See Page/Reference Number 36/8
2	1893713M91	1	Drive	1
3	1810615M91	1	Bearing Plate	1
4	1887953M91	1	Coil	1
5	1887964M91	1	Armature	1
6	1810576M91	1	Kit, Brush	1
7	1887952M91	1	Kit, Brush Plate	1
8	1039134M91	1	Kit, Spring	1
9	1806009M1	1	Housing	1
10	1887955M91	1	Kit, Bush	1
11	1887956M91	1	Kit, Brake	1
12	1893404M91	1	Solenoid	1
13	1893706M91	1	Fork	1
14		1	Bearing Carrier	Not Serviced, Order 1 1
15	1887967M91	1	Kit, Sundry	1
16	1887957M91	1	Kit, Gasket	1
17	1893978M91	1	Kit, Retainer	1
				(A)
18	1895415M1	1	Solenoid	1
				(A)
				(A)
				NOT ILLUSTRATED

3-0162-013-A



AGCO Corporation  
Parts List Report

Massey Ferguson (Europe)

MF 330 COMBINE

Page 40 - ALTERNATOR-LUCAS - LUCAS

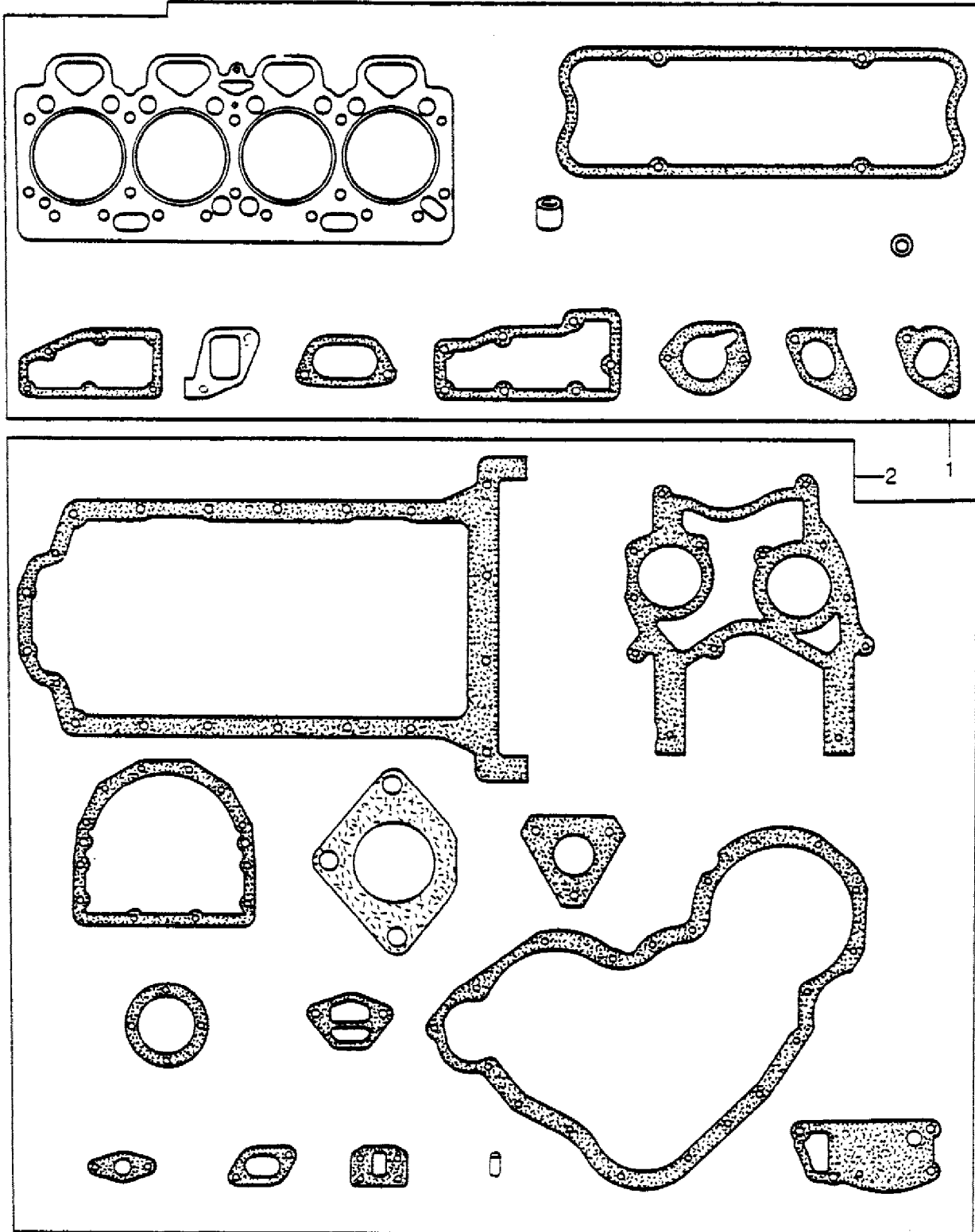
---

Item	Part Number	Qty	Part Description	Comments
				LUCAS
1	2871A105	1	Alternator	See Page/Reference Number 36/2
2	1893977M1	1	Condenser	1
3	1429443M1	1	Rectifier	1
4	1887425M1	1	Box	1
5	1867426M1	1	Shim	1
6	1887416M1	1	Regulator	1
7	1891503M1	1	Cover	1
8	1887427M1	3	Bolt	1
9	1888326M1	1	Bearing Carrier	1
10	1889101M1	1	Stator	1
11	1887421M1	1	Ring	1
12	1887422M1	1	Kit, Bearing	1
13	1049703M91	1	Rotor	1
14	1887419M1	1	Kit, Bearing	1
15	1888324M91	1	Bearing Carrier	1
16	1887428M1	1	Kit, Sundry	1
				(A)
				(A)
				NOT ILLUSTRATED

---

TIIVISTEET  
PACKNINGAR  
JOINTS AND GASKETS  
DICHTUNGEN  
JOINTS

3-0110-022-A



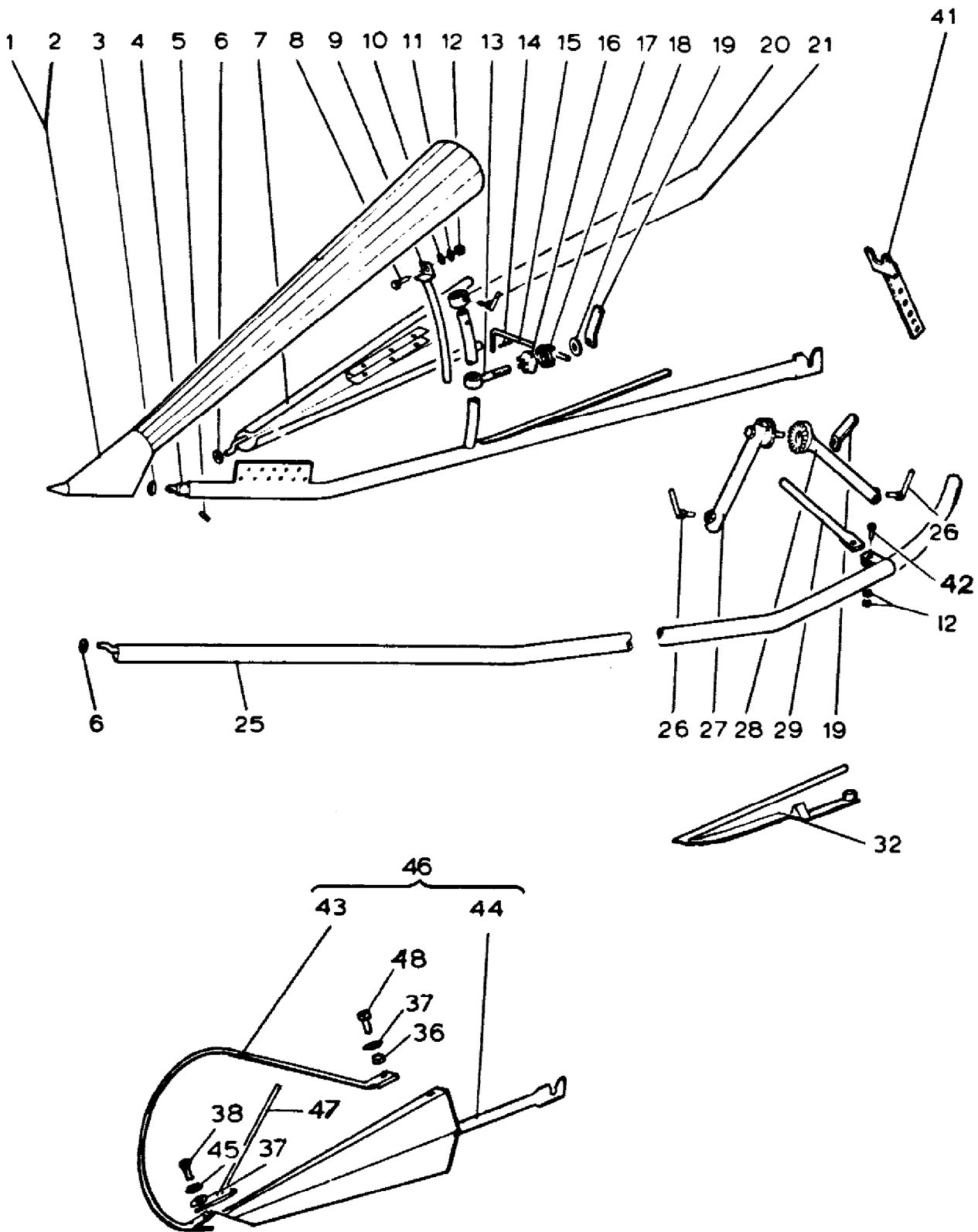
AGCO Corporation  
Parts List Report

Massey Ferguson (Europe)  
MF 330 COMBINE

Page 42 - JOINTS AND GASKETS-BOTTOM SERVICE KIT

Item	Part Number	Qty	Part Description	Comments
1	U5LT0007	X	Kit,Joint/Gasket	
2	94481	X	Kit, Joint	

VILJANJAKOLAITTEET  
 STRÅSKILJARE  
 STAW DIVIDERS  
 ABTEILER  
 DIVISEUR

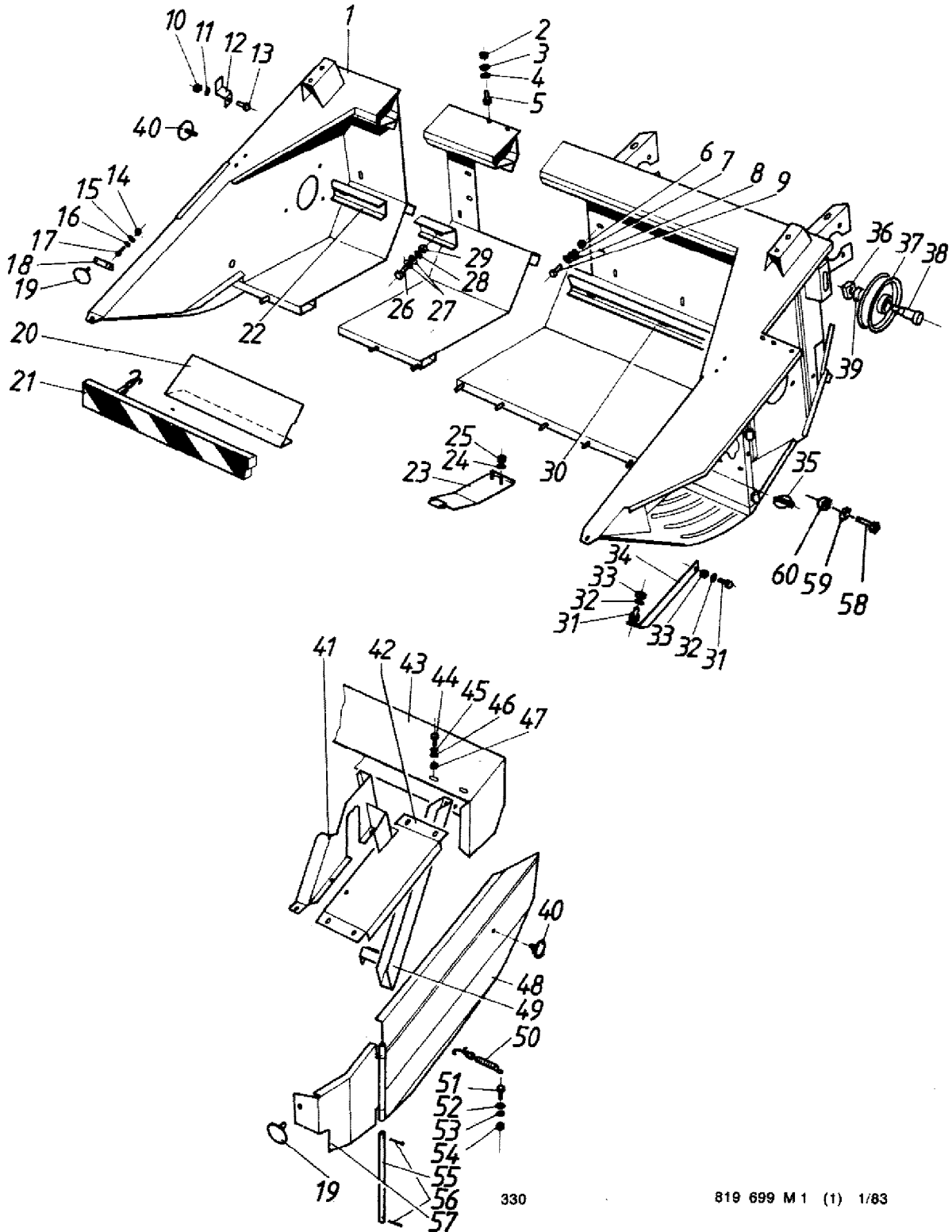
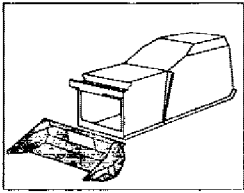


AGCO Corporation  
Parts List Report

Massey Ferguson (Europe)  
MF 330 COMBINE  
Page 44 - STRAW DIVIDERS

Item	Part Number	Qty	Part Description	Comments
1	SR625236	1	Point	Left Hand
2	SR625237	1	Point	Right Hand
3	SR618931	2	Damper	
4	SR618968	2	Tube	
5	S7814198	2	Roll Pin	
6	SR619014	4	Damper	
7	SR618954	2	Deflector	
8	S6226167	2	Screw	
9	SR618960	2	Rod	
10	S7400033	2	Disc	
11	S7414471	2	Lock Washer	
12	S6506434	4	Nut	
13	SR615795	2	Screw	
14	S7812405	2	Linch Pin	
15	SR082536	2	Rod	
16	SR616697	2	Holder	
17	SR082544	2	Holder	
18	S7414062	2	Disc	
19	SR595936	4	Nut	
20	SR596036	2	Collet	
21	SR596034	2	Screw	
25	SR618963	1	Tube	
26	SR596035	4	Screw	
27	SR595864	2	Stay	
28	SR595865	2	Arm	
29	SR082550	2	Rod	
32	SR620041		Ear Lifter	
36	S6506234	4	Nut	
37	S7414469	4	Lock Washer	
38	S6221467	4	Screw	
41	SR588385	2	Adjuster	
42	S6226977	2	Screw	
43	SR643614	1	Crook	
44	SR643607	1	Divider	
45	S7400032	2	Disc	
46	SR643606	2	Divider	
47	SR652195	2	Bar	
48	S6220867	1	Screw	

LEIKKUUPÖYTÄ  
SKÄRBORD  
CUTTING TABLE  
SCHNEIDWERK  
TABLE DE COUPE



AGCO Corporation  
Parts List Report

Massey Ferguson (Europe)  
MF 330 COMBINE  
Page 46 - CUTTING TABLE

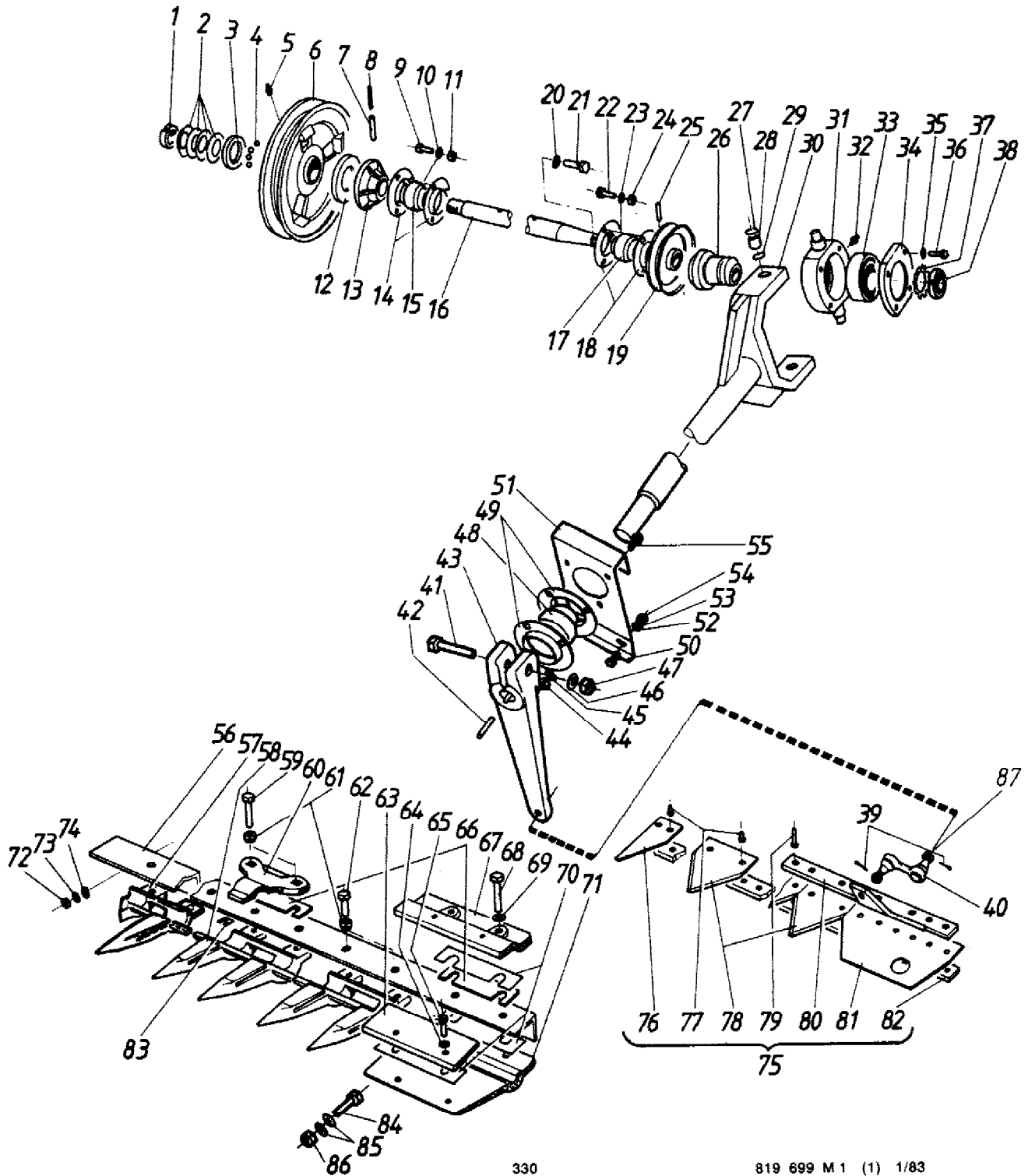
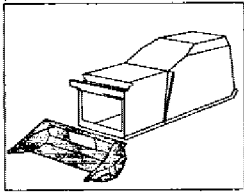
Item	Part Number	Qty	Part Description	Comments
1	SR632897	1	Table	
2	S6506634	4	Nut	
3	S7414473	4	Lock Washer	
4	S7400034	4	Washer	
5	S6231167	4	Screw	
6	S6506434	6	Nut	
7	S7414471	6	Lock Washer	
8	S7400033	12	Disc	
9	S6226367	6	Screw	
10	S6506034	1	Nut	
11	S7414465	1	Lock Washer	
12	SR630384	1	Pin	
13	S6211067	1	Screw	
15	S6506034	2	Nut	
15	S7414465	2	Lock Washer	
16	S7400030	2	Disc	
17	S6211067	2	Screw	
18	SR594817	1	Holder	
19	S8030236	2	Reflector	
20	SR632921	1	Protector	
21	SR632919	1	Beam	
	SR661563	1	Protector	For Germany only or any text in German only.
	SR646988	1	Beam	For Norway.
	SR646988	1	Beam	(DK)
22	SR632917	1	Sheet Metal	
26	S6221467	7	Screw	
27	S7400032	14	Disc	
28	S7414469	7	Lock Washer	
29	S6506234	7	Nut	
30	SR632916	1	Sheet Metal	
31	S6226167	2	Screw	
32	S7414471	2	Lock Washer	
33	S6506434	2	Nut	
34	SR590860	1	Stand	
35	S7814285	4	Linch Pin	
36	SR595515	1	Nut	
37	SR074964	1	Wheel	
38	SR596052	1	Shaft	
39	SR066732	1	Bush	

---

40	S8020234	2	Reflector
41	SR644273	1	Protector
42	SR633308	1	Protector
43	SR633334	1	Protector
44	S6220867	12	Screw
45	S7400032	12	Disc
46	S7414469	12	Lock Washer
47	S6506234	12	Nut
48	SR633297	1	Protector
49	SR633305	1	Protector
50	SR079318	2	Tension Spring
51	S6211067	2	Screw
52	S7400030	2	Disc
53	S7414465	2	Lock Washer
54	S6506034	2	Nut
55	SR634630	1	Shaft
56	S7812116	2	Cotter
57	SR633324	1	Protector
58	S6231767	2	Screw
59	S7414012	2	Disc
60	S6594238	2	Nut

---

LEIKKUUTERÄ  
SKÄRAPPARAT  
CUTTING KNIFE ASSY  
MÄHMESSER  
LAME DE COUPE



AGCO Corporation  
Parts List Report

Massey Ferguson (Europe)

MF 330 COMBINE

Page 48 - CUTTING KNIFE ASSEMBLY

Item	Part Number	Qty	Part Description	Comments
1	S0563006	1	Nut	
2	S0410175	4	Cup Spring	
3	SR611663	1	Bearing Plate	
4	S0567028	15	Ball	
5	S0252420	1	Nipple	
6	SR611664	1	Pulley	
7	S7814235	1	Roll Pin	
8	S7814181	1	Roll Pin	
9	S6226167	3	Screw	
10	S7400033	3	Disc	
11	S6506434	3	Nut	
12	SR615434	1	Plate	
13	SR615293	1	Coupler	
14	S0569322	2	Flange	
15	S0511057	1	Bearing Ball	
16	SR632918	1	Shaft	
17	S0511335	1	Bearing	
18	S0569323	2	Flange	
19	SR588326	1	Pulley	
20	S7414059	1	Disc	
21	S6226367	1	Screw	
22	S6226167	3	Screw	
23	S7400033	3	Disc	
24	S6506434	3	Nut	
25	S7814209	1	Roll Pin	
26	SR089037	1	Bush	
27	S7815220	2	Circlip	
28	S0480560	2	Bearing	
29	S0639552	2	Seal	
30	SR609687	1	Draglink	
31	SR609689	1	Cam	
32	S0252420	1	Nipple	
33	S0504010	1	Bearing	
34	SR060885	1	Cover	
35	S7414465	4	Lock Washer	
36	S6211467	4	Screw	
37	S0562010	1	Tooth Washer	
38	S0563010	1	Nut	
39	S7812078	2	Cotter	

---

40	S0493080	1	Toggle
41	S6232977	1	Screw
42	S7712113	1	Wedge
43	SR615973	1	Lever
44	S6506434	3	Nut
45	S7414471	3	Lock Washer
46	S7414473	1	Lock Washer
47	S6506634	1	Nut
48	S0511335	1	Bearing
49	S0569323	2	Flange
50	S6220867		Screw
51	SR615974	1	Bearing Plate
52	S7400032		Disc
53	S7414469		Lock Washer
54	S6506234		Nut
55	S6225767	3	Screw
56	SR632959	1	Knife Back
57	SR636319	1	Finger
58	S0498838	17	Finger
59	S6227197	16	Screw
60	S0498840	8	Holder
61	S6594148	36	Nut
62	S6226587	20	Screw
63	SR082899	1	Guide
64	S7414469	2	Lock Washer
65	S6221267	2	Screw
66	SR632966	9	Disc
67	SR082897	1	Guide
68	S6226967	2	Screw
69	S7414471	2	Lock Washer
70	SR082900	5	Plate
71	SR636499	1	Guide
72	S6506234	16	Nut
73	S7414469	16	Lock Washer
74	S7400032	16	Disc
75	SR632960	1	Knife
76	S0498827	1	Tr Knife Blades
77	S7614215	67	Rivet
78	S0498820	34	Tr Knife Blades
79	S7614221	8	Rivet
80	SR083088	1	Knife Head
81	SR083086	1	Plate
82	SR632961	1	Knife Back
83	SR640592		Disc
84	S6226367	2	Screw
85	S7400033	4	Disc

---

---

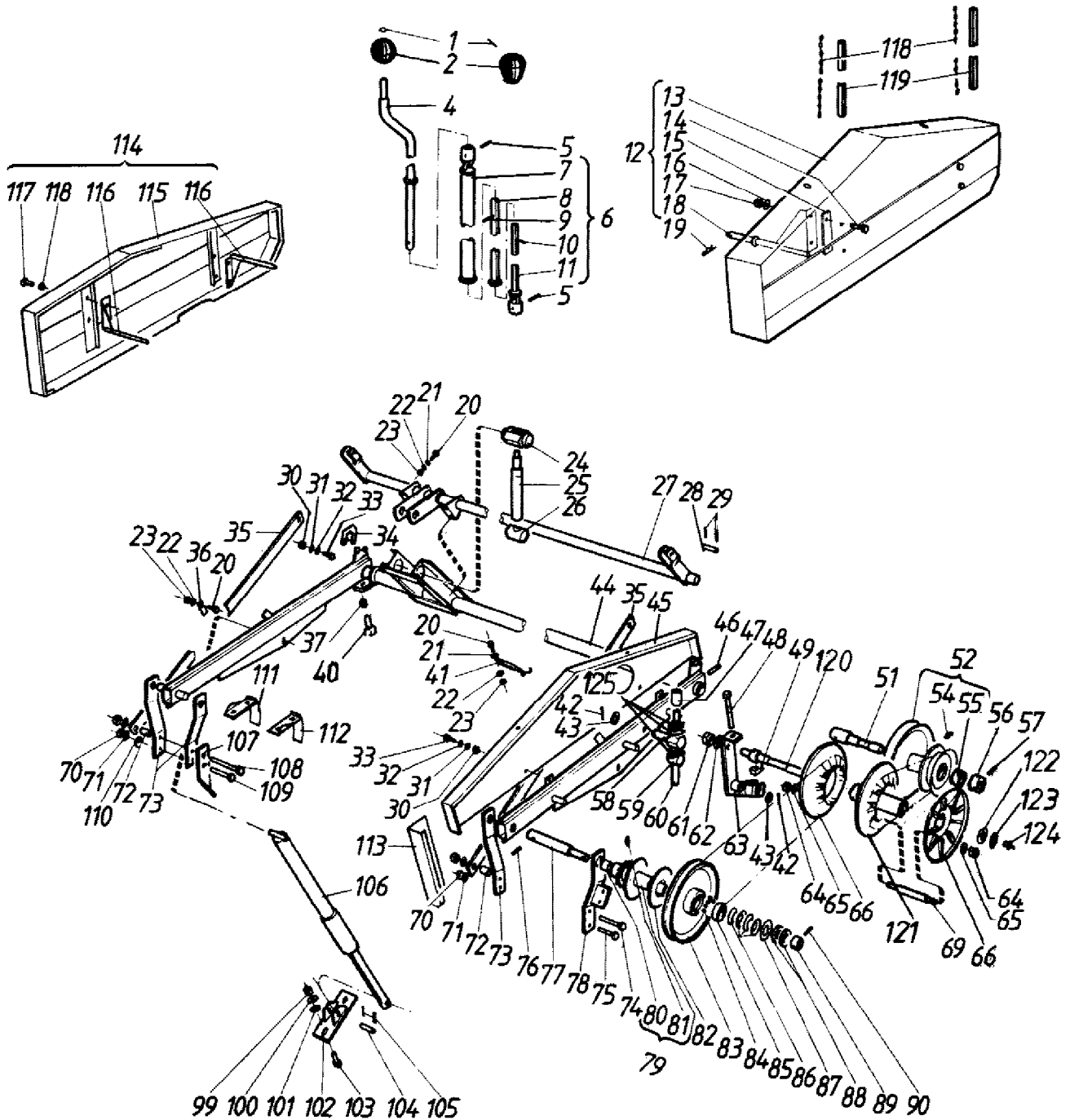
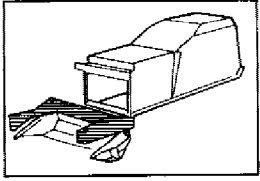
---

86	S6594148	2	Nut
87	S6536434	2	Nut

---

---

LAONNOSTOKELAN AISAT  
KAMHASPELNS ARMAR  
REEL CARRIER  
HASPELTRAGARME  
BRAS DE RABATTEUR



AGCO Corporation  
Parts List Report

Massey Ferguson (Europe)

MF 330 COMBINE

Page 52 - REEL CARRIER-MECHANICAL ADJUSTIN

---

Item	Part Number	Qty	Part Description	Comments
1	S7814069	2	Roll Pin	
2	S0879935	2	Knob	
4	SR643238	2	Crank	
5	S7814145	4	Roll Pin	
6	SR632941	2	Spindle Adjust	
7	SR632973	2	Tube	
8	SR599537	2	Tube	
9	S7814111	2	Roll Pin	
10	S7814067	2	Roll Pin	
11	SR599535	2	Arm	
12	SR644269	1	Protector	
13	SR644270	1	Protector	
14	S6221267	4	Screw	
15	SR615778	1	Damper	
16	S7414469	4	Lock Washer	
17	S6506234	4	Nut	
18	SR633181	2	Clip	
19	S7812410	2	Linch Pin	
20	S6211067	8	Screw	
21	S7400030	6	Disc	
22	S7414465	8	Lock Washer	
23	S6506034	8	Nut	
24	SR615597	1	Bearing	
25	SR638137	1	Setscrew	
26	SR596051	1	Adjusting Nut	
27	SR637380	1	Shaft	
28	SR590010	2	Pin	
29	S7812116	4	Cotter	
30	S6506234	4	Nut	
31	S7414465	4	Lock Washer	
32	S7400032	4	Disc	
33	S6220867	4	Screw	
34	SR637394	1	Bearing	
35	SR588307	2	Arm	
36	SR588383	2	Latch	
37	S6594148	4	Nut	
40	S6226367	4	Screw	
41	SR079318	2	Tension Spring	
42	S7812162	2	Cotter	

---

---

43	S7400038	2	Disc
44	SR637379	1	Reel Lift Arm
45	SR633189	1	Protector
46	S7814209	1	Roll Pin
47	SR590953	1	Spacer
48	S6223867	1	Screw
49	SR596056	1	Nut
51	SR621420	1	Shaft
52	SR639151	1	Pulley
54	S0252420	1	Nipple
55	S0552058	2	Bush
56	SR588810	1	Ring
57	S7814145	1	Roll Pin
58	SR588267	1	Pin
59	SR596051	1	Adjusting Nut
60	SR605098	1	Screw
61	S6507034	1	Nut
62	S7400036	1	Disc
63	SR638455	1	Arm
64	S6506234	6	Nut
65	S7414469	6	Lock Washer
66	SR634936	2	Pulley
68	SR640750	1	Pulley
69	SR643237	3	Trunnion
70	S6506434	4	Nut
71	S7414471	4	Lock Washer
72	SR588811	2	Bush
73	SR621417	3	Lever
74	S6227577	1	Screw
75	S6226977	1	Screw
76	S7814201	1	Roll Pin
77	SR615375	1	Axle
78	SR621416	1	Lever
79	SR615764	1	Coupling
80	S0552058	1	Bush
81	S0252405	1	Nipple
82	SR615434	1	Plate
83	SR613032	1	Pulley
84	S0567028	15	Ball
85	SR615376	1	Ring
86	S0410175	4	Cup Spring
87	SR615374	1	Disc
88	S0563006	2	Nut
89	SR625373	1	Ring
90	S7814113	1	Roll Pin
99	S6506434	4	Nut

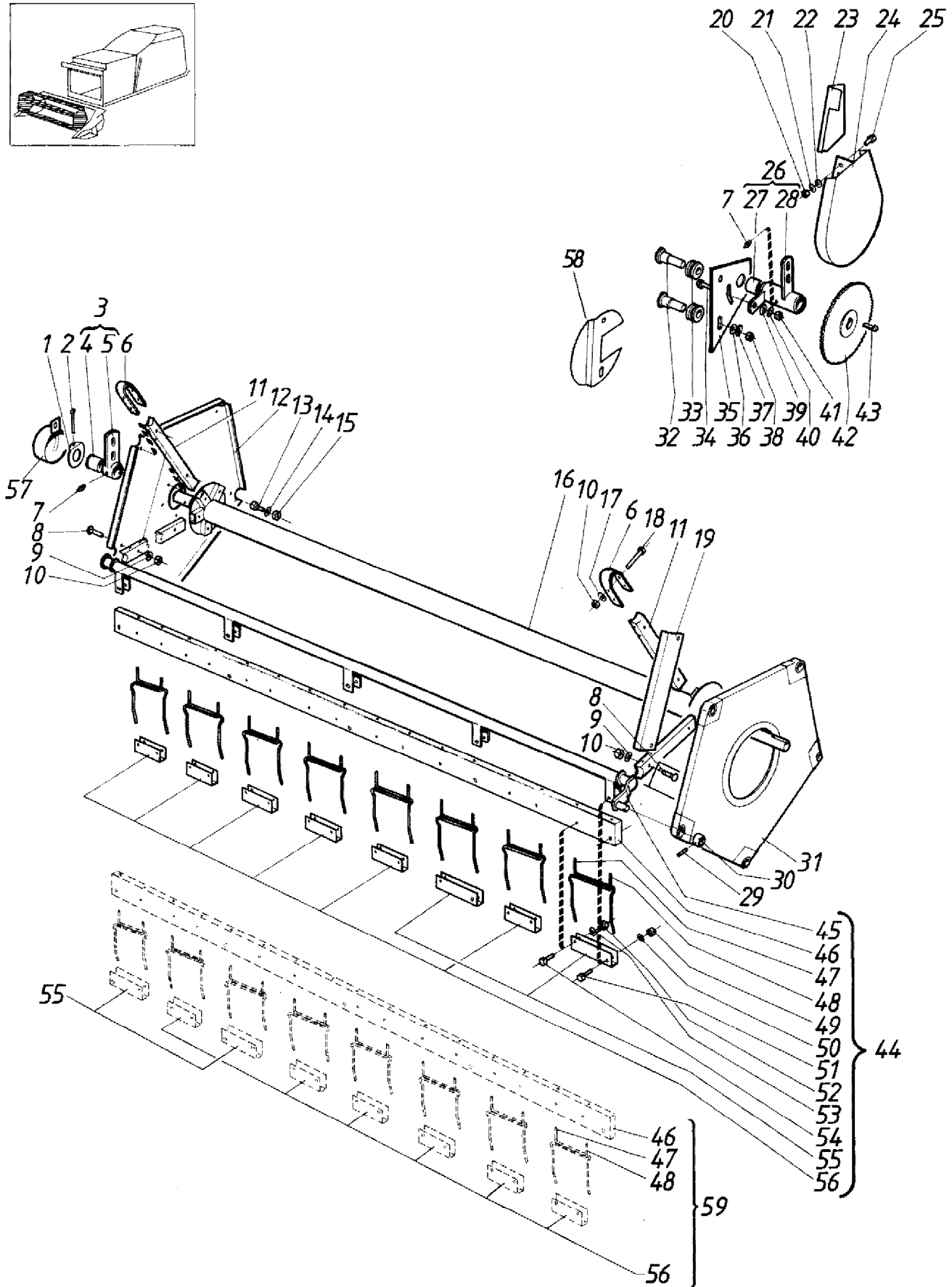
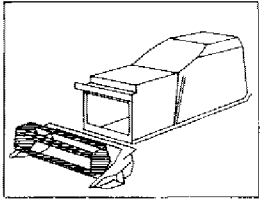
---

---

100	S7414471	4	Lock Washer	
101	S7400033	4	Disc	
102	SR611771	2	Holder	
103	S6226167	4	Screw	
104	SR589597	2	Trunnion	
105	S7812116	4	Cotter	
106	SR637360	2	Ram	
107	SR633103	1	Protector	
108	S6227767	1	Screw	
109	S6227377	1	Screw	
110	S7400033	2	Disc	
111	SR641695	1	Protector	Right Hand
112	SR641694	1	Protector	Left Hand
113	SR643228	1	Protector	
114	SR644311	1	Protector	For Germany only or any text in German only.
115	SR644312	1	Protector	For Germany only or any text in German only.
116	SR644318	2	Clip	For Germany only or any text in German only.
117	S6221267	4	Screw	For Germany only or any text in German only.
117	S6594038	4	Nut	For Germany only or any text in German only.
118	SR643210	2	Stand	For Germany only or any text in German only.
119	SR643211	2	Hose	For Germany only or any text in German only.
120	SR652492	1	Shaft	
121	SR634934	1	Pulley	
122	S7815725	1	Circlip	
123	S7815022	1	Circlip	
124	S0252420	1	Nipple	
125	S5740036	3	Disc	

---

LAONNOSTOKELA  
KAMHASPEL  
PICK-UP REEL  
HASPEL  
RABATTEUR



AGCO Corporation  
Parts List Report

Massey Ferguson (Europe)  
MF 330 COMBINE  
Page 56 - PICK-UP REEL

---

Item	Part Number	Qty	Part Description	Comments
1	SR588812	1	Disc	
2	S7812258	1	Cotter	
3	SR588287	1	Bearing	
4	S0552059	1	Bush	
5	SR588288	1	Bearing	
6	SR621432	10	Holder	
7	S0252420	2	Nipple	
8	S6753644	10	Screw	
9	S7400030	10	Disc	
10	S6593838	30	Nut	
11	SR621431	10	Arm	
12	SR622074	1	Plate	
13	S6221877	10	Screw	
14	S7414469	10	Lock Washer	
15	S6594038	10	Nut	
16	SR632927	1	Shaft	
17	S7414465	20	Lock Washer	
18	S6212477	20	Screw	
19	SR061432	5	Stay	
20	S6506034	2	Nut	
21	S7414465	2	Lock Washer	
22	S7400030	2	Disc	
23	SR634718	1	Protector	
24	SR599867	1	Protector	
25	S6211067	2	Screw	
26	SR633104	1	Bearing	
27	S0552059	1	Bush	
28	SR637579	1	Bearing	
29	S7814145	5	Roll Pin	
30	SR588810	5	Ring	
31	SR588802	1	Plate	
32	SR596050	2	Shaft	
33	SR588809	2	Roller	
34	S6226367	1	Screw	
35	SR588309	1	Holder	
36	S7400034	1	Washer	
37	S7414473	2	Lock Washer	
38	S6506634	2	Nut	
39	S7400033	1	Disc	

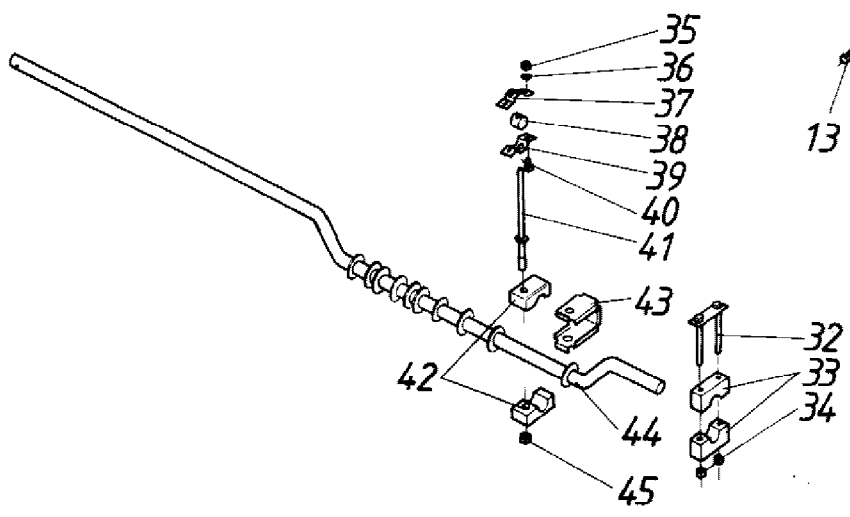
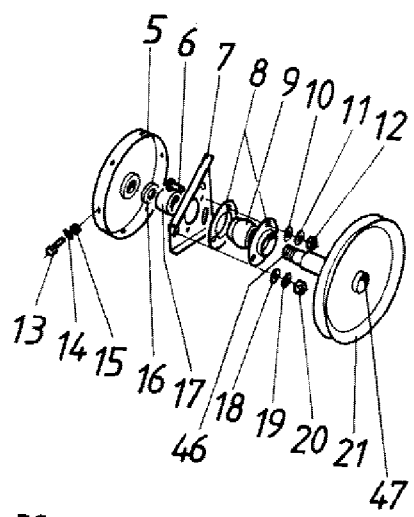
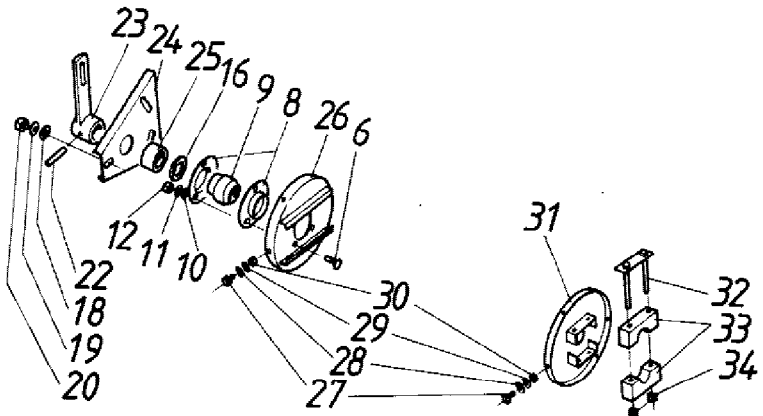
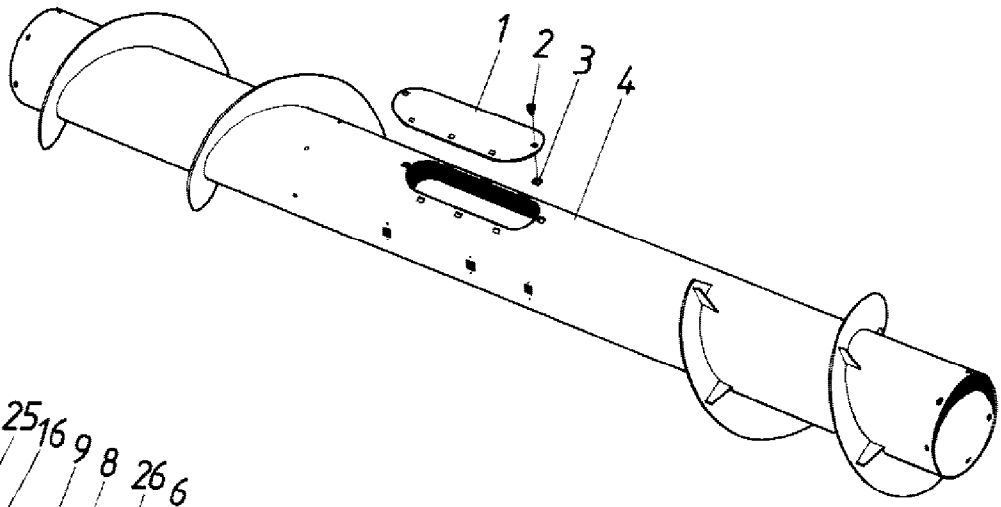
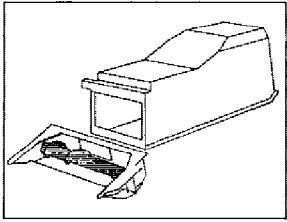
---

---

40	S7414471	1	Lock Washer	
41	S6506434	1	Nut	
42	SR588269	1	Sprocket	
43	S7712110	1	Gib Key	
44	SR632931	2	Batt	
45	SR632933	1	Body Pillar	
46	SR632935	1	Batt	
47	SR082380	8	Tine	Left Hand
48	SR082381	8	Tine	Right Hand
49	S6506034	5	Nut	
50	S7414465	5	Lock Washer	
51	S6211877	5	Screw	
52	S6505814	14	Nut	
53	S7414463	14	Lock Washer	
54	S6206827	14	Screw	
55	SR084696	2	Holder	
56	SR082382	6	Holder	
57	SR637312	1	Protector	
58	SR643229	1	Protector	For Germany only or any text in German only.
59	SR632932	3	Batt	

---

SYÖTTÖRUUVI  
 INMATNINGSKRUV  
 FEEDER AUGER  
 EINZUGSCHNECKE  
 VIS



AGCO Corporation  
Parts List Report

Massey Ferguson (Europe)  
MF 330 COMBINE  
Page 58 - FEEDER AUGER

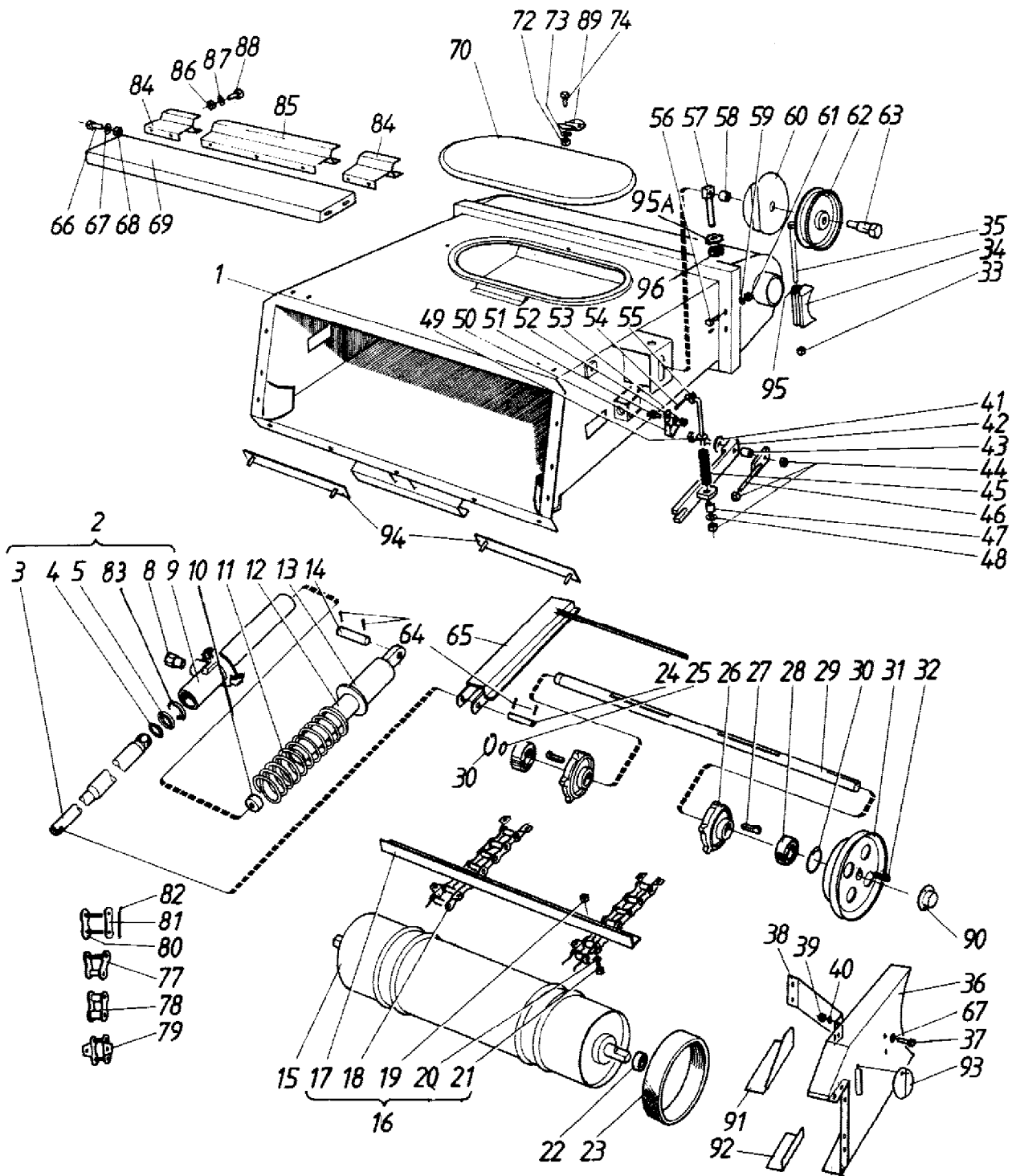
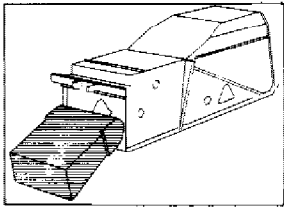
Item	Part Number	Qty	Part Description	Comments
1	SR062215	1	Cover	
2	S6210667	8	Screw	
	S7400030	8	Disc	
3	S6561112	8	Clip	
4	SR632884	1	Table Auger	
5	SR633325	1	Cover	
6	S6758144	6	Screw	
7	SR588379	1	Holder	
8	S0569321	4	Flange	
9	S0511054	2	Bearing Ball	
10	S7400032	6	Disc	
11	S7414469	6	Lock Washer	
12	S6506234	6	Nut	
13	S6220867	6	Screw	
14	S7400032	6	Disc	
15	S6594038	6	Nut	
16	SR615374	2	Disc	
17	SR074784	1	Spacer	
18	S7400033	6	Disc	
19	S7414471	6	Lock Washer	
20	S6506434	6	Nut	
21	SR083425	1	Pulley	
22	S7814205	1	Roll Pin	
23	SR588321	1	Lever	
24	SR588380	1	Holder	
25	SR071610	1	Spacer	
26	SR582399	1	Plate	
27	S6210667	12	Screw	
28	S7400030	12	Disc	
29	S7414465	12	Lock Washer	
30	S6506034	12	Nut	
31	SR582398	1	Flange	
32	SR633332	2	Screw	
33	SR582408	2	Bearing	
34	S6593838	4	Nut	
35	S6506234	20	Nut	
36	S7414469	20	Lock Washer	
37	SR062211	10	Holder	
38	S0552082	10	Bearing	

---

39	SR062212	10	Holder
40	S6220867	20	Screw
41	SR598180	10	Finger
42	SR582414	10	Bearing
43	SR582413	10	Cover
44	SR632891	1	Shaft
45	S6594238	10	Nut
46	SR633348	1	Shaft
47	S7712050	1	Gib Key

---

SYÖTTÖKULJETIN  
 INMATNINGSELEVATOR  
 FEEDER ELEVATOR  
 FÖRDERKANAL  
 ELEVATEUR



AGCO Corporation  
Parts List Report

Massey Ferguson (Europe)  
MF 330 COMBINE  
Page 60 - FEEDER ELEVATOR

---

Item	Part Number	Qty	Part Description	Comments
1	SR620597	1	Table Elevator	
2	SR620573	1	Ram	
3	SR620577	1	Piston	
4	S7815930	1	Ring	
5	S0633937	1	Seal	
8	S0629345	1	Nipple	
9	SR620574	1	Barrel	
10	S0400560	1	Damper	
11	S0415167	1	Spring	
12	SR609728	1	Bush	
13	SR609732	1	Nut	
14	SR592613	1	Pin	
15	SR620614	1	Drum	
16	SR620611	1	Chain	
17	SR620613	10	Beater Bar	
18	S0657232	2	Chain	
19	S6594038	40	Nut	
20	S7412469	40	Spring Plate	
21	S6221260	40	Screw	
22	SR609572	2	Bush	
23	S0400573	2	Damper	
24	SR620619	1	Pin	
25	S7815032	1	Ring	
26	SR580273	2	Sprocket	
27	S7717170	2	Wedge	
28	S0502367	2	Bearing	
29	SR620617	1	Shaft	
30	S7815254	2	Ring	
31	SR602666	1	Pulley	
32	S7712112	1	Gib Key	
33	S6594238	2	Nut	
34	SR592463	2	Latch	
35	S6234777	2	Screw	
36	SR633190	1	Protector	
37	S6220867	2	Screw	
38	SR633193	1	Holder	
39	S6594038	2	Nut	
40	S7414469	2	Lock Washer	
41	S7414062	2	Disc	

---

---

42	SR593609	2	Lever
43	SR609599	2	Bush
44	S6594238	6	Nut
45	S0415183	2	Spring
46	SR609603	2	Tensioner
47	SR096586	2	Bush
48	S7400034	2	Washer
49	S6232177	2	Screw
50	SR583506	1	Holder
51	S6220867	1	Screw
52	S7414469	1	Lock Washer
53	S6506234	1	Nut
54	S7812152	2	Cotter
55	SR592614	2	Arm
56	S6220867	2	Screw
57	SR652449	1	Nut
58	SR066732	1	Bush
59	S7414469	2	Lock Washer
60	SR634784	1	Protector
61	S6506234	2	Nut
62	SR074964	1	Wheel
63	SR603157	1	Pin
64	S7812204	4	Cotter
65	SR620618	1	Safety Device
	SR643471	1	Stand
66	S6221267	4	Screw
67	S7400032	4	Disc
68	S6594038	4	Nut
69	SR632981	1	Protector
70	SR643992	1	Cover
72	S6593838	3	Nut
73	S7414465	3	Lock Washer
74	S6210667	3	Screw
77	S0657286		Chain Link
78	S0657293		Chain Link
79	S0657295	1	Chain Link
80	S0657233		Chain Link
81	S0657235		Chain Link
82	SR644658		Cotter
83	S0633951	1	Packing
84	SR642235	2	Guard
85	SR642236	1	Guard
86	S6593838	7	Nut
87	S7400030	11	Disc
88	S6211067	7	Screw
89	SR641432	3	Clip

---

For Germany only or any text in German only.

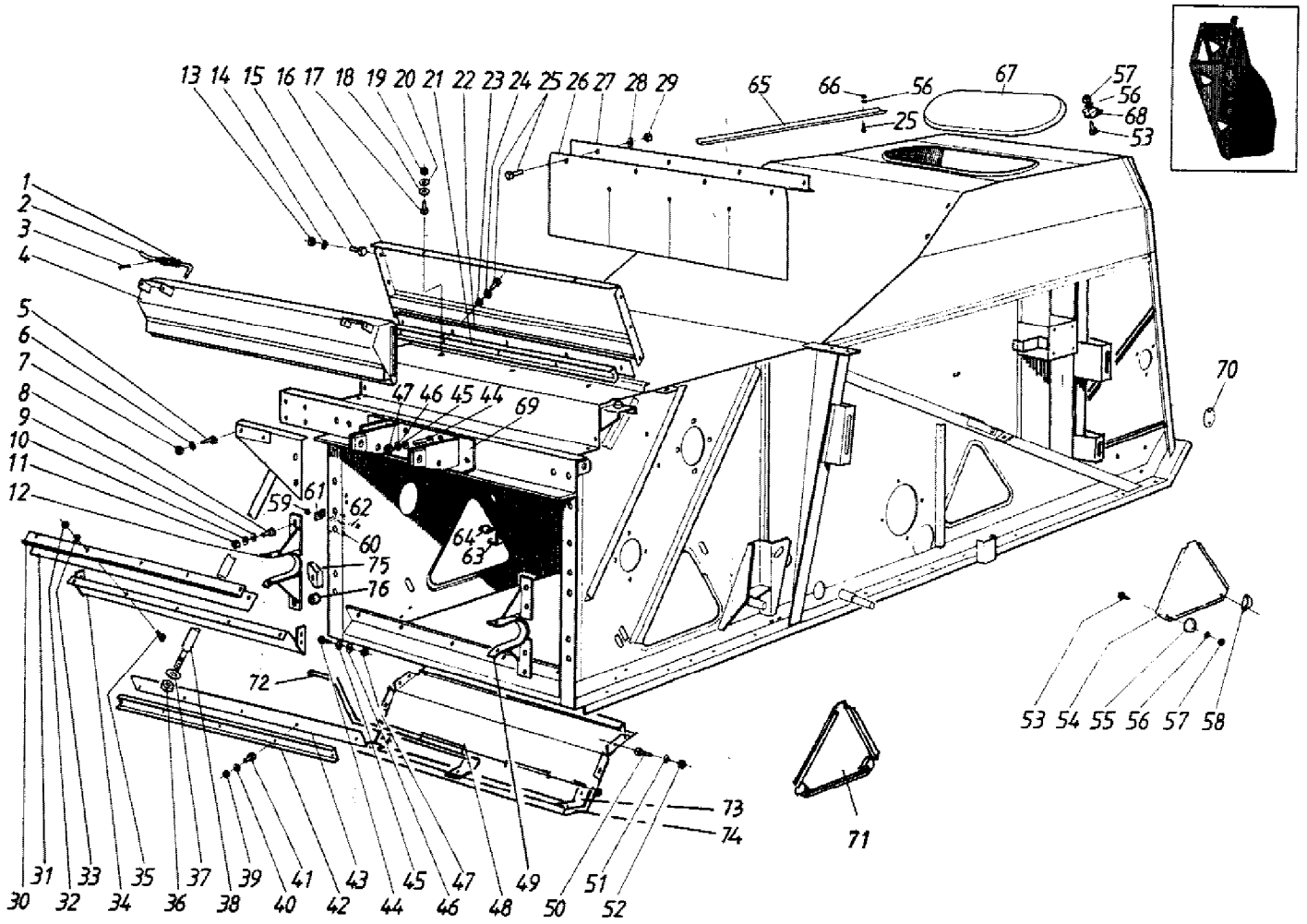
---

90	SR634692	1	Protector	For Germany only or any text in German only.
91	SR644541	1	Guard	For Germany only or any text in German only.
92	SR644544	1	Guard	For Germany only or any text in German only.
93	SR643275	1	Cover	For Germany only or any text in German only.
94	SR643384	2	Strip	For Germany only or any text in German only.
95	S7414471	4	Lock Washer	
95A	S7400033	1	Disc	
96	S6594148	1	Nut	

---

64

VAIPPA  
MANTEL  
CASING  
RAHMEN  
BATI



AGCO Corporation  
Parts List Report

Massey Ferguson (Europe)  
MF 330 COMBINE  
Page 64 - CASING

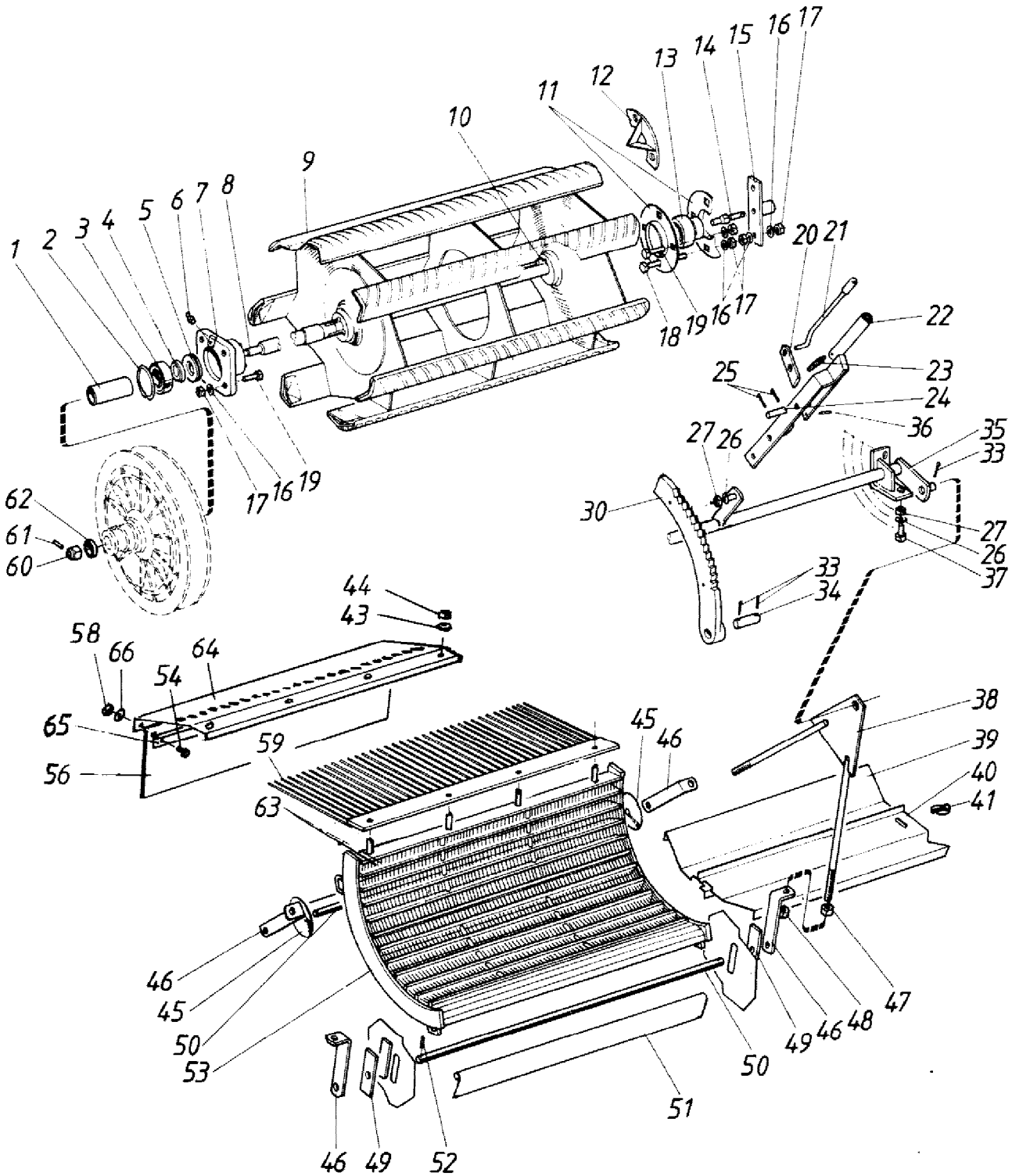
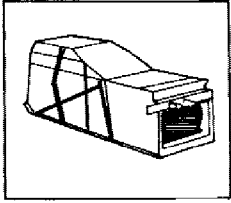
Item	Part Number	Qty	Part Description	Comments
1	S0415134	2	Spring	
2	SR593278	2	Latch	
3	S7812114	2	Cotter	
4	SR621977	1	Flap	
5	S6226367	2	Screw	
6	S7414471	2	Lock Washer	
7	S6506434	2	Nut	
8	S6231367	8	Screw	
9	S7400034	4	Washer	
10	S7414473	8	Lock Washer	
11	S6506634	8	Nut	
12	SR592272	1	Fork	Right Hand
13	S6594148	6	Nut	
14	S7400033	6	Disc	
15	S6226167	6	Screw	
16	SR621391	1	Guide	
17	S6220467	3	Screw	
18	S7400032	6	Disc	
19	S6506234	3	Nut	
20	S7414469	3	Lock Washer	
21	SR620398	1	Clip	
22	SR621394	1	Guide	
23	S6593838	5	Nut	
24	S7400030	5	Disc	
25	S6211467	5	Screw	
26	SR620688	1	Cloth	
27	SR620908	1	Slat	
28	S7400030	4	Disc	
29	S6593838	4	Nut	
30	SR621294	1	Slat	
31	SR621293	1	Joint	
32	S6593838	5	Nut	
33	S7400030	5	Disc	
34	SR622047	1	Transverse	
35	S6211467	5	Screw	
36	S6507034	2	Nut	
37	S7414477	2	Lock Washer	
38	SR620711	1	Stand	
39	S6593838	5	Nut	

---

40	S7400030	5	Disc
41	S6211467	5	Screw
42	SR620398	1	Clip
43	SR620395	1	Joint
44	S6226367	8	Screw
45	S7414471	8	Lock Washer
46	S7400033	8	Disc
47	S6506434	8	Nut
48	SR661197	1	Stone Trap
49	SR593802	1	Fork
50	S6221127	6	Screw
51	S7414469	6	Lock Washer
52	S6506234	6	Nut
53	S6210667	2	Screw
54	SR622307	2	Flap
55	SR622309	1	Clamping Device
56	S7414455	2	Lock Washer
57	S6593829	2	Nut
58	SR622308	1	Clamping Device
59	S6593829	1	Nut
60	SR637952	1	Holder
61	SR637145	1	Holder
62	S6211627	1	Screw
63	SR638639	1	Holder
64	SR064410	1	Holder
65	SR638232	1	Slat
66	S6506034	1	Nut
67	SR641431	1	Cover
68	SR641432	2	Clip
69	SR636278	1	Holder
70	SR643342	1	Cover
71	SR656739	2	Flap
72	SR661212	1	Lever
73	SR661201	2	Slat
74	SR661200	2	Joint
75	SR661215	1	Pawl
76	SR661216	1	Bush

---

**KELA JA VARSTASILTA  
CYLINDER OCH SLAGSKO  
DRUM AND CONCAVE  
DRESCHTROMMEL UND -KORB  
BATEUR ET CONTRE BATEUR**



AGCO Corporation  
Parts List Report

Massey Ferguson (Europe)  
MF 330 COMBINE  
Page 66 - DRUM AND CONCAVE

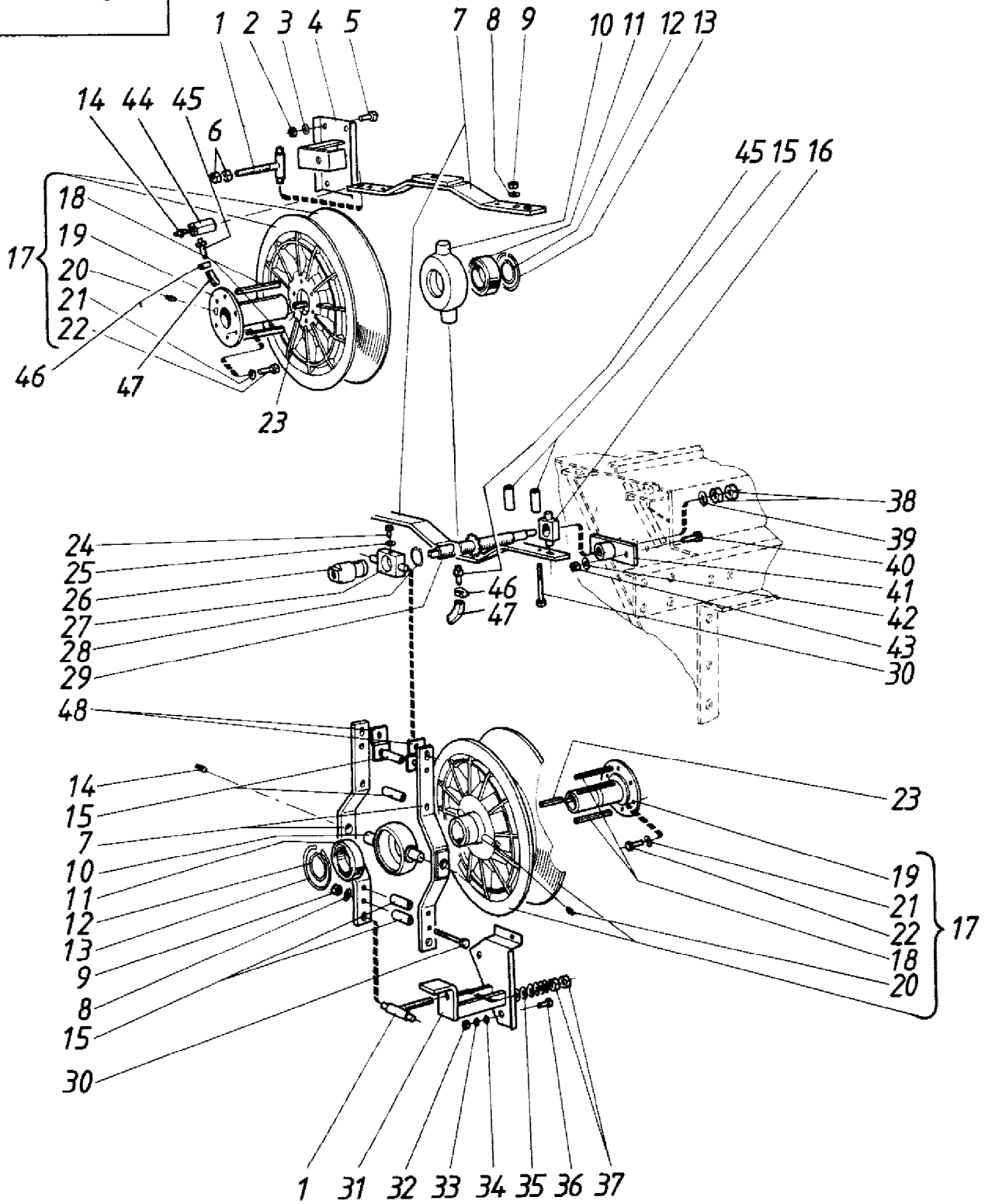
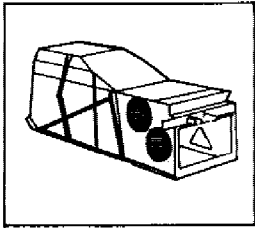
Item	Part Number	Qty	Part Description	Comments
1	SR620064	1	Bush	
2	S7815258	1	Circlip	
3	S0502323	1	Bearing	
4	SR090023	1	Ring	
5	S0505058	1	Bearing	
6	S0252445	1	Nipple	
7	SR090019	1	Flange	
8	SR620063	1	Shaft	
9	SR620056	1	Threshing Cyl	
10	S7712215	3	Gib Key	
11	S0569324	2	Flange	
12	SR595738	1	Protector	
13	S0511228	1	Bearing Ball	
14	SR592239	1	Pin	
15	SR620065	1	Clip	
16	S7414473	12	Lock Washer	
17	S6506634	12	Nut	
18	S6233567	2	Screw	
19	S6231367	6	Screw	
20	SR593864	1	Pawl	
21	SR609843	1	Lever	
22	SR620737	1	Lever	
23	S0415109	1	Spring	
24	SR609846	1	Pin	
25	S7812116	2	Cotter	
26	S7414469	6	Lock Washer	
27	S6506234	6	Nut	
30	SR593863	1	Rack	
33	S7812156	4	Cotter	
34	SR608899	1	Clevis Pin	
35	SR620736	1	Shaft	
36	S7814093	1	Roll Pin	
37	S6221467	4	Screw	
38	SR620744	2	Rod	
39	SR639197	1	Slat	
40	SR639196	1	Slat	
41	S7814285	1	Linch Pin	
43	S7400032	4	Disc	
44	S6594038	4	Nut	

---

45	SR049307	2	Joint
46	SR618674	4	Adjuster
47	S6506634	4	Nut
48	S6594238	4	Nut
49	SR620750	2	Strap
50	SR620749	2	Shaft
51	SR652116	1	Sheet Metal
52	S7814145	4	Roll Pin
53	SR643880	1	Concave
54	S6211067	5	Screw
56	SR620194	1	Cloth
58	S6506034	5	Nut
59	SR620192	1	Extension
60	S6537236	1	Nut
61	S7814121	1	Roll Pin
62	SR592186	1	Disc
63	SR620186	76	Wire
64	SR643994	1	Clip
65	SR643995	1	Slat
66	S7400030	5	Disc

---

KELAMUUTIN  
 CYLINDERVARIATOR  
 CYLINDER VARIATOR  
 DRESCHTROMMELVARIATOR  
 VARIATEUR DU BATTEUR



AGCO Corporation  
Parts List Report

Massey Ferguson (Europe)  
MF 330 COMBINE  
Page 68 - CYLINDER VARIATOR

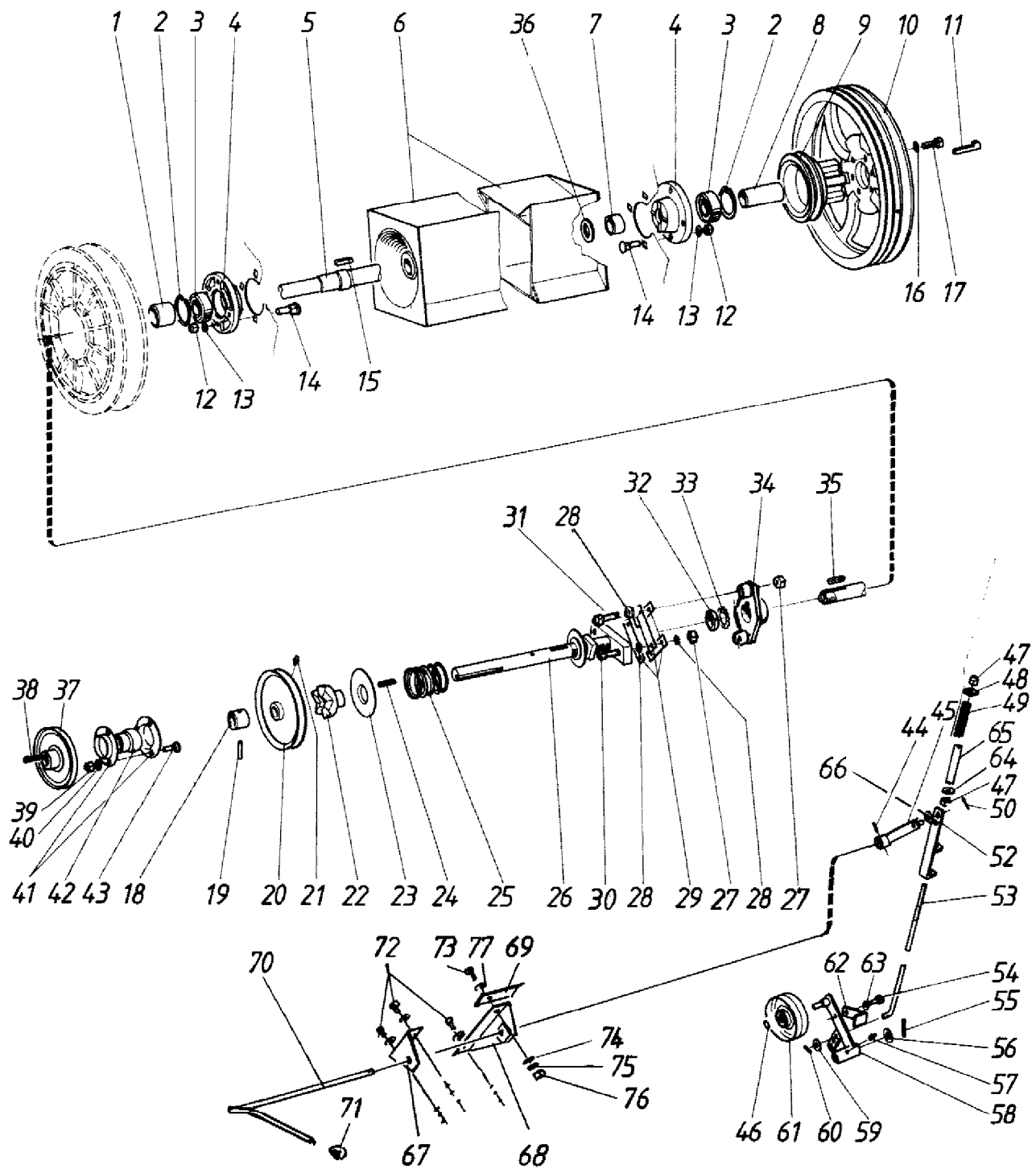
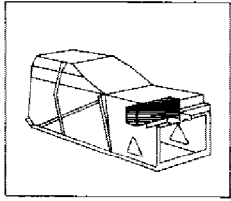
Item	Part Number	Qty	Part Description	Comments
1	SR580408	2	Pin	
2	S6506234	3	Nut	
3	S7414469	4	Lock Washer	
4	SR620323	1	Holder	
5	S6220867	4	Screw	
6	S6506634	2	Nut	
7	SR620318	4	Arm	
8	S7414471	8	Lock Washer	
9	S6506434	8	Nut	
10	SR619832	2	Bearing Housing	
11	S0502035	2	Bearing	
12	S7815057	2	Circlip	From Serial or Engine Number 137202
	S7815057	2	Circlip	Up to Serial or Engine Number 149473
13	S7815275	2	Circlip	From Serial or Engine Number 137202
	S7815275	2	Circlip	Up to Serial or Engine Number 149473
14	S0252420	2	Nipple	
15	SR580417	8	Bush	
16	SR580414	1	Nut	
17	SR621006	2	Variator	
18	SR620698	4	Wedge	
19	SR619831	2	Hub	
20	S0252405	3	Nipple	
	S0252420		Nipple	
21	S7414471	12	Lock Washer	
22	S6226567	12	Screw	
23	SR580421	2	Wedge	
24	S6210667	2	Screw	
25	S7414465	2	Lock Washer	
26	SR580415	1	Nut	
27	SR580271	1	Holder	
28	S7815032	1	Ring	
29	SR621898	1	Screw	
30	S6228577	8	Screw	
31	SR620320	1	Holder	
32	S6506234	3	Nut	
33	S7414469	3	Lock Washer	
34	S7400032	3	Disc	
35	S0410122	6	Cup Spring	
36	S6220867	3	Screw	

---

37	S6506634	2	Nut
38	S6506634	2	Nut
39	S7400034	1	Washer
40	S6226367	2	Screw
41	SR643164	1	Bearing
42	S7414471	2	Lock Washer
43	S6506434	2	Nut
44	SR655510	1	Coupler
45	S0252530	2	Nipple
46	S0629039	2	Clip
47	SR636718	1	Hose
48	SR643300	2	Stop

---

OLKIKELA  
HALMCYLINDER  
STRIPPER BEATER  
STROHWENDETRUMMEL  
TIRE-PAILLE



AGCO Corporation  
Parts List Report

Massey Ferguson (Europe)  
MF 330 COMBINE  
Page 70 - STRIPPER BEATER

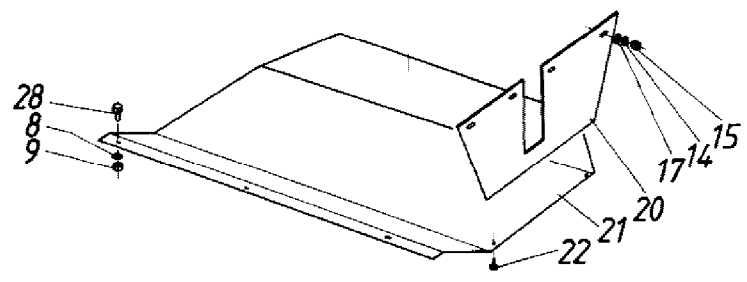
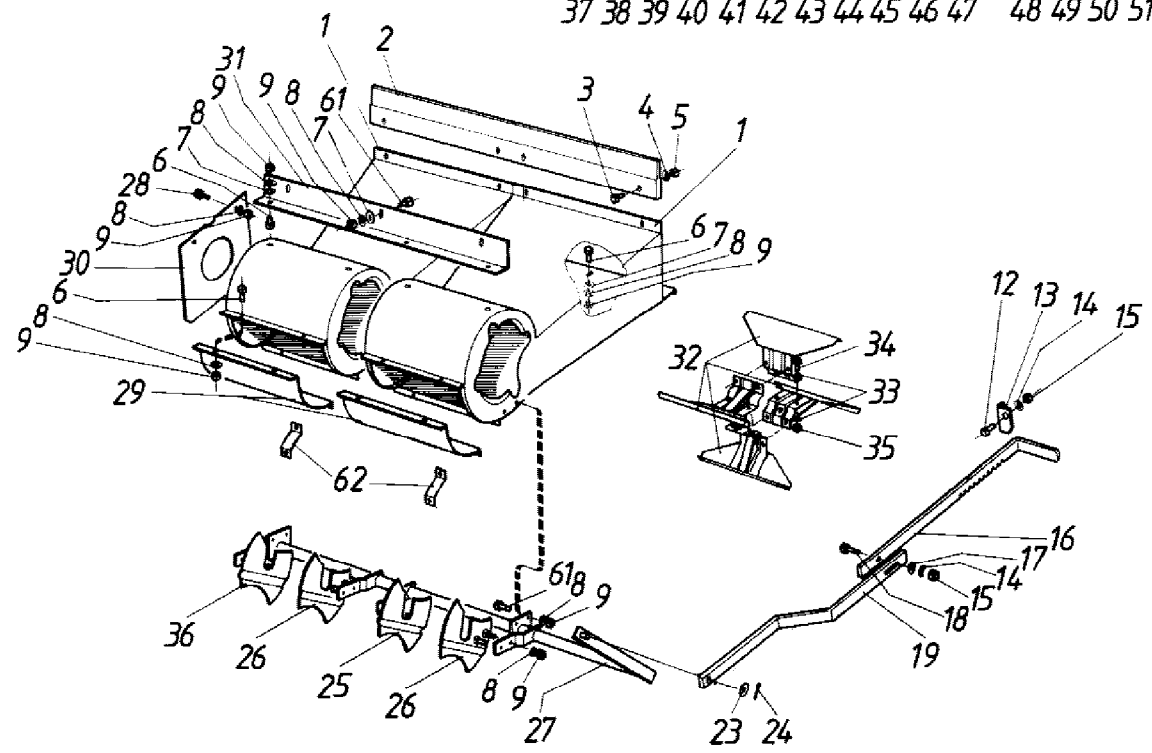
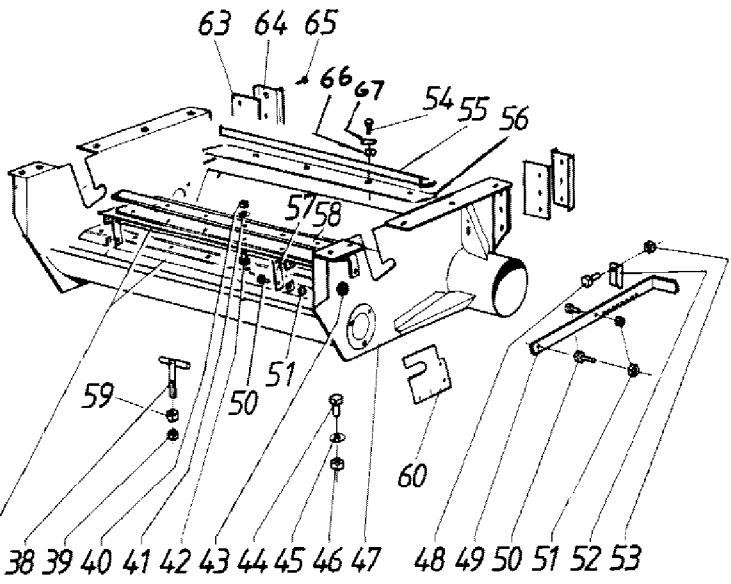
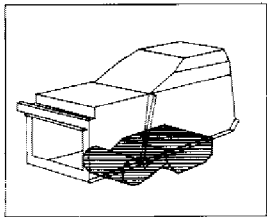
Item	Part Number	Qty	Part Description	Comments
1	SR620676	1	Bush	
2	S7815258	2	Circlip	
3	S0502368	2	Bearing	
4	SR622028	2	Bearing Housing	
5	SR620673	1	Shaft	
6	SR636467	1	Beater	
7	SR636674	1	Bush	
8	SR620690	1	Bush	
9	SR620085	1	Hub	
10	SR620084	1	Pulley	
11	S7712115	1	Wedge	
12	S6506634	8	Nut	
13	S7414473	8	Lock Washer	
14	S6770244	8	Screw	
15	S7716128	1	Wedge	
16	S7414471	6	Lock Washer	
17	S6226767	6	Screw	
18	SR643760	1	Bush	
19	S7814205	1	Roll Pin	
20	SR643997	1	Pulley	
21	S0252420	1	Nipple	
22	SR661279	1	Driving	
23	SR605138	1	Disc	
24	S7716117	1	Wedge	
25	S0415175	1	Spring	
26	SR643754	1	Shaft	
27	S6594148	4	Nut	
28	S7412059	8	Disc	
29	SR613843	20	Sheet Metal	
30	S6227377	2	Screw	
31	S6227377	2	Screw	
32	S0563009	1	Nut	
33	S0562009	1	Tooth Washer	
34	SR643749	1	Driving	
35	SR592183	1	Wedge	
36	SR622409	1	Disc	
37	SR621819	1	Pulley	
38	S7712110	1	Gib Key	
39	S6506434	3	Nut	

---

40	S7414471	3	Lock Washer
41	S0569322	2	Flange
42	S0511057	1	Bearing Ball
43	S6763344	3	Screw
44	S7814201	1	Roll Pin
45	SR622002	1	Lever
46	S7815017	1	Ring
47	S6594148	2	Nut
48	SR607230	1	Disc
49	S0415140	1	Spring
50	S7814145	1	Roll Pin
52	SR633037	1	Extension
53	SR621996	1	Rod
54	S6226167	1	Screw
55	S7812164	1	Cotter
56	S7414018	1	Disc
57	S0252420	1	Nipple
58	SR621822	1	Lever
59	S7400033	1	Disc
60	S7814093	1	Roll Pin
61	SR621839	1	Pulley
62	SR621833	1	Guide
63	S7400033	1	Disc
64	S7400033	1	Disc
65	SR637787	1	Bush
66	SR611114	1	Grommet
67	SR622000	1	Bearing
68	SR639178	1	Bearing
69	SR639250	1	Sheet Metal
70	SR621997	1	Lever
71	S0879932	1	Knob
72	S6221267	3	Screw
73	S6221467	1	Screw
74	S7400032	4	Disc
75	S7414469	4	Lock Washer
76	S6506234	4	Nut
77	S7414057	4	Disc

---

72  
 LIETSO  
 FLÄKT  
 FAN  
 GEBLÄSE  
 VENTILATEUR



AGCO Corporation  
Parts List Report

Massey Ferguson (Europe)  
MF 330 COMBINE  
Page 72 - FAN

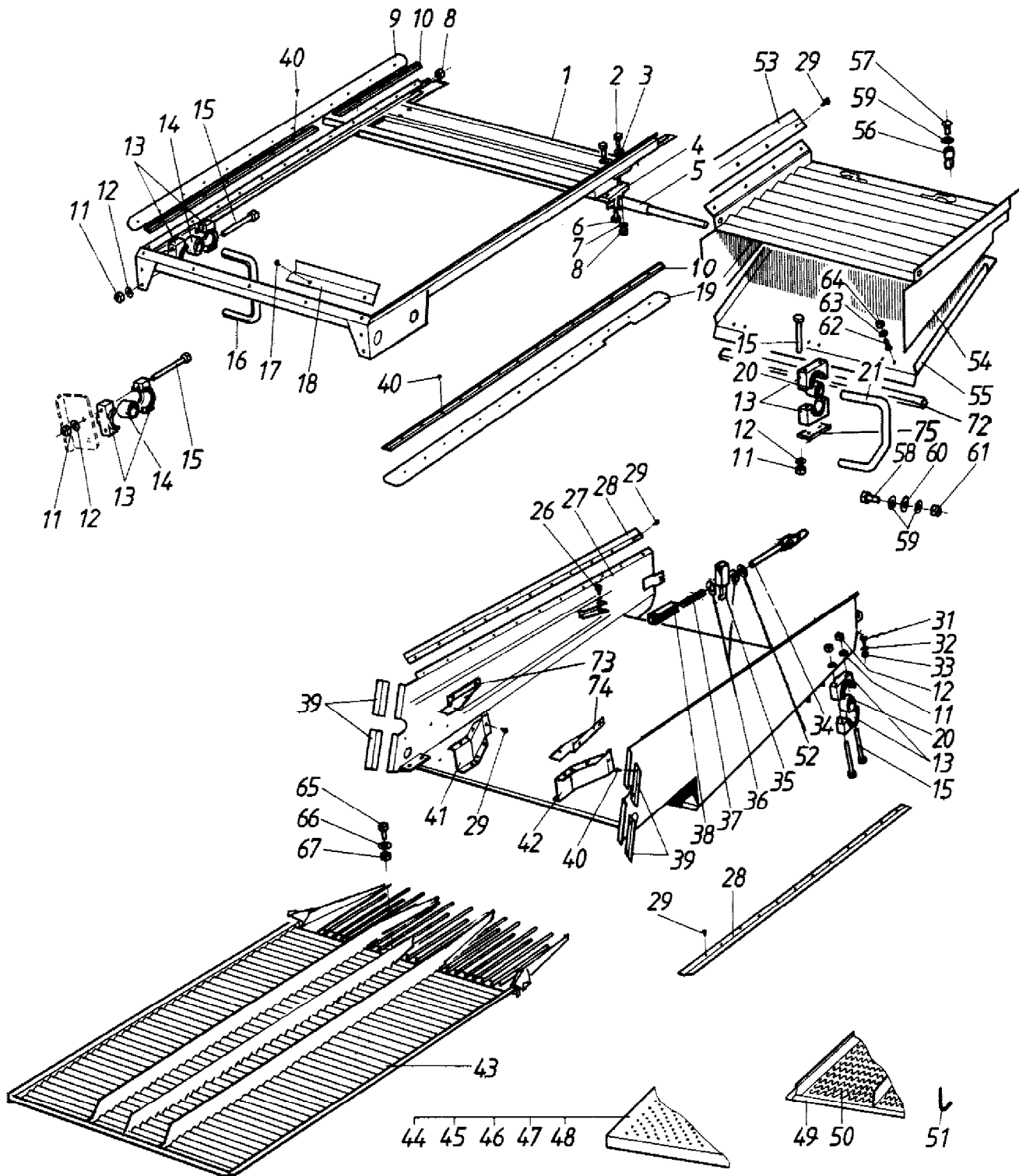
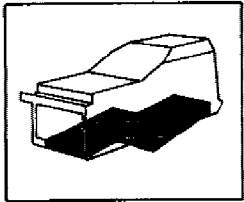
Item	Part Number	Qty	Part Description	Comments
1	SR643988	2	Housing	
2	SR620894	1	Joint	
3	S6210667	4	Screw	
4	S7414465	4	Lock Washer	
5	S6506034	4	Nut	
6	S6220467	15	Screw	
7	S7400032	9	Disc	
8	S7414469	34	Lock Washer	
9	S6506234	34	Nut	
12	S6210667	1	Screw	
13	SR605075	1	Latch	
14	S7414465	2	Lock Washer	
15	S6506034	2	Nut	
16	SR622183	1	Arm	
17	S7400030	1	Disc	
18	S6211467	1	Screw	
19	SR622184	1	Extension	
20	SR622067	1	Protector	
21	SR622062	1	Protector	
22	S7266208	2	Screw	
23	S7400033	1	Disc	
24	S7812116	1	Cotter	
25	SR621477	1	Sheet Metal	
26	SR621476	2	Sheet Metal	
27	SR620108	1	Arm	
28	S6220867	4	Screw	
29	SR643989	2	Cover	
30	SR621440	1	Cover	
31	SR620121	1	Slat	
32	SR644248	2	Wing	
33	S7400032	32	Disc	
34	S6220486	16	Screw	
35	S6594038	16	Nut	
36	SR636662	1	Sheet Metal	
37	SR633092	2	Slat	
38	SR592162	4	Screw	
39	S6594038	4	Nut	
40	S6593829	6	Nut	
41	S7414465	6	Lock Washer	

---

42	S6211067	6	Screw
43	SR633095	1	Shaft
44	S6226167	10	Screw
45	S7414471	10	Lock Washer
46	S6506434	10	Nut
47	SR620308	1	Housing
48	S6211067	1	Screw
49	SR622014	1	Arm
50	S6211067	2	Screw
51	S6593829	2	Nut
52	SR605075	1	Latch
53	S6593829	1	Nut
54	S6211067	4	Screw
55	SR650007	1	Holder
56	SR650006	1	Joint
57	SR622097	2	Lever
58	SR622012	1	Shaft
59	S6506234	4	Nut
60	SR633048	2	Protector
61	S6221267	7	Screw
62	SR643460	2	Latch
63	SR643551	2	Joint
64	SR643552	2	Slat
65	S7266308	6	Screw
66	S7414455	4	Lock Washer
67	S6593829	4	Nut

---

SEULASTO, HEITTOKULJETIN, SEULAT  
 SÄLLHUS, UPPSAMLINGSPLAN, SÄLL  
 SHAKER SHOE, GRAIN PAN, SIEVES  
 REINIGUNG, KÖRNERBODEN, SIEBE  
 GOFFRE DE NETTOYAGE, RECEPTURA A GRAINS, ET GRILLES



AGCO Corporation  
Parts List Report

Massey Ferguson (Europe)

MF 330 COMBINE

Page 74 - SHAKER SHOE, GRAIN PAN, SIEVES

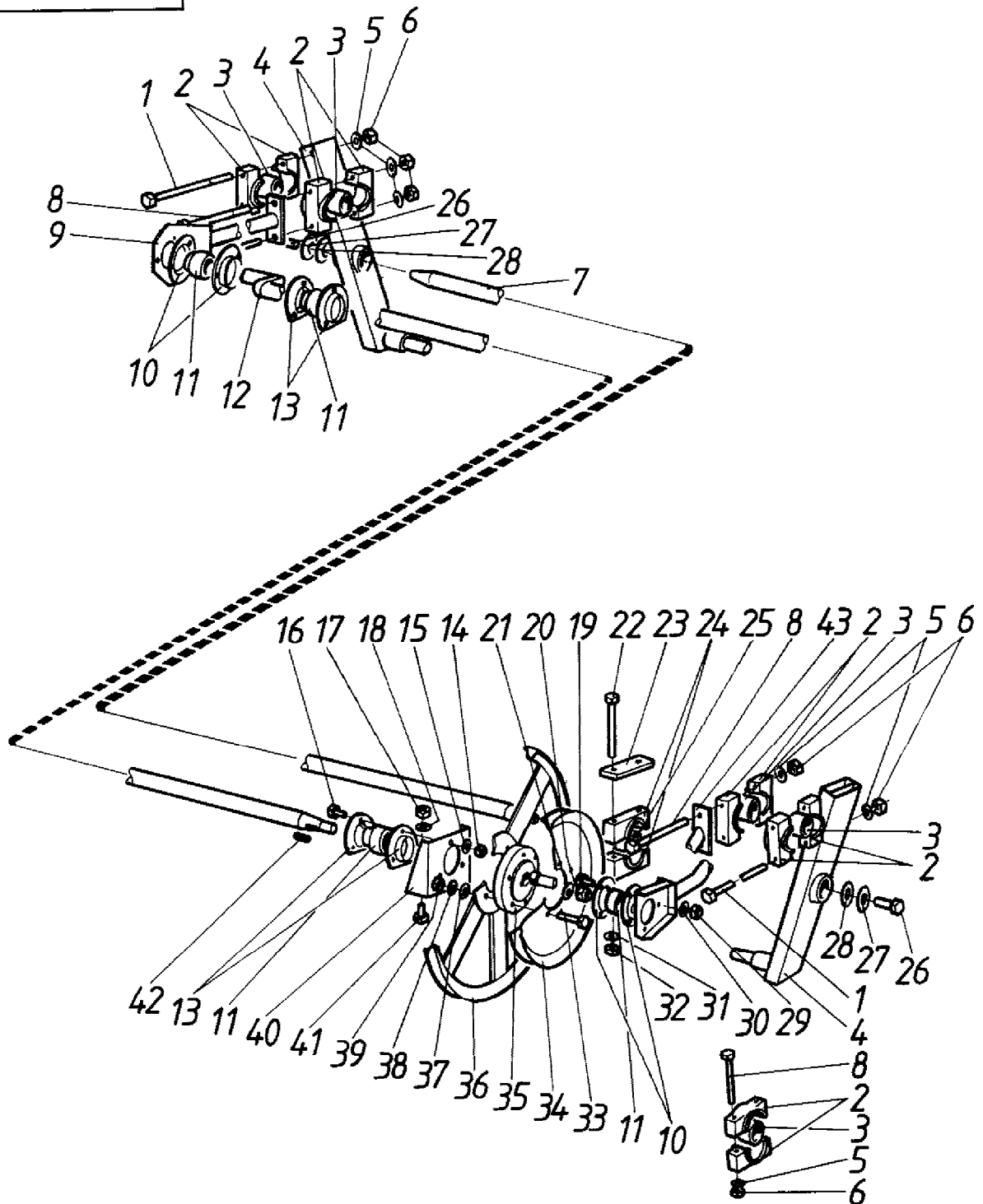
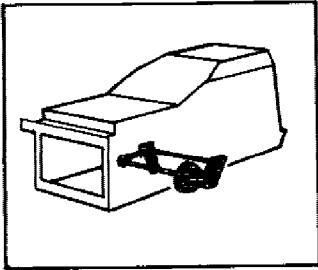
Item	Part Number	Qty	Part Description	Comments
1	SR637106	1	Frame	
2	S6266167	4	Screw	
3	S7414059	4	Disc	
4	SR621987	2	Bush	
5	SR621097	1	Shaft	
6	S6266167	2	Screw	
7	S7414471	4	Lock Washer	
8	S6594148	6	Nut	
9	SR620354	1	Joint	
10	SR620355	2	Slat	
11	S6506434	16	Nut	
12	S7414471	16	Lock Washer	
13	SR593302	16	Bearing Housing	
14	S0633847	4	Bush	
15	S6228177	16	Screw	
16	SR593500	2	Lever	
17	S6211067	5	Screw	
18	SR620356	1	Joint	
19	SR621202	1	Joint	
20	S0633822	4	Bush	
21	SR593499	2	Lever	
26	S6222077	2	Screw	
	S6594038	2	Nut	
27	SR643419	1	Frame	
28	SR594195	2	Joint	
29	S7266208	24	Screw	
31	S6162914	4	Screw	
32	S7461285	4	Disc	
33	S6505604	4	Nut	
34	SR620232	2	Lever	
35	SR593270	2	Holder	
36	S7400033	4	Disc	
37	S0415119	2	Spring	
37	SR593276	2	Holder	
39	SR622038	4	Joint	
40	S7266308	36	Screw	
41	SR622035	1	Protector	
42	SR622034	1	Protector	
43	SR637813	1	Grain Pan	

---

44	SR620045		Sieve
45	SR620044		Sieve
46	SR620043		Sieve
47	SR621502		Sieve
48	SR620042		Sieve
49	SR620089		Sieve
50	SR620096		Disc Carrier
51	SR638317	2	Spring
52	S7414471	2	Lock Washer
53	SR648452	2	Joint
54	SR642248	1	Extension
55	SR642261	1	Sheet Metal
56	SR648787	2	Nut
57	S6758344	2	Screw
58	S6226367	2	Screw
59	S7414471	6	Lock Washer
60	S7490995	2	Disc
61	S6594148	2	Nut
62	S6210667	6	Screw
63	S7400030	6	Disc
64	S6593838	6	Nut
65	S6211627	1	Screw
66	S7414455	1	Lock Washer
67	S6506034	1	Nut
72	SR643766	1	Joint
73	SR622037	1	Protector
74	SR622076	1	Protector
75	SR637437	2	Disc

---

SEULASTON KÄYTTÖ  
 SÄLLHUSETS DRIFT  
 SHAKER SHOE DRIVE  
 SIEBKASTEN - ANTRIEB  
 COMMANDE DE COFFRE DE NETTOYAGE



AGCO Corporation  
Parts List Report

Massey Ferguson (Europe)  
MF 330 COMBINE  
Page 76 - SHAKER SHOE DRIVE

Item	Part Number	Qty	Part Description	Comments
1	S6229777	4	Screw	
2	SR593302	12	Bearing Housing	
3	S0633822	6	Bush	
4	SR637353	2	Lever	
5	S7414471	12	Lock Washer	
6	S6506434	12	Nut	
7	SR621098	1	Shaft	
8	S6228177	8	Screw	
9	SR637354	1	Draglink	
10	S0569322	4	Flange	
11	S0511057	4	Bearing Ball	
12	SR620236	1	Crankshaft	
13	SR614209	4	Flange	
14	S6506434	6	Nut	
15	S7414471	6	Lock Washer	
16	S6763344	6	Screw	
17	S6506434	2	Nut	
18	S7414471	2	Lock Washer	
19	S6266167	6	Screw	
20	S6594219	1	Nut	
21	SR605092	1	Disc	
22	S6233397	4	Screw	
23	SR644911	2	Disc	
24	SR621080	4	Bearing Housing	
25	S0633846	2	Bush	
26	S6226367	2	Screw	
27	S7414471	2	Lock Washer	
28	S7412059	2	Disc	
29	S6506434	6	Nut	
30	S7414471	6	Lock Washer	
31	S7414473	4	Lock Washer	
32	S6506634	4	Nut	
33	S6222277	6	Screw	
34	SR609583	1	Pulley	
35	SR614207	1	Hub	
36	SR609579	1	Pulley	
37	S7400032	6	Disc	
38	S7414469	6	Lock Washer	
39	S6506234	6	Nut	

---

40	SR614204	1	Support
41	S6266167	2	Screw
42	S7717156	1	Wedge
43	SR637355	1	Draglink

---

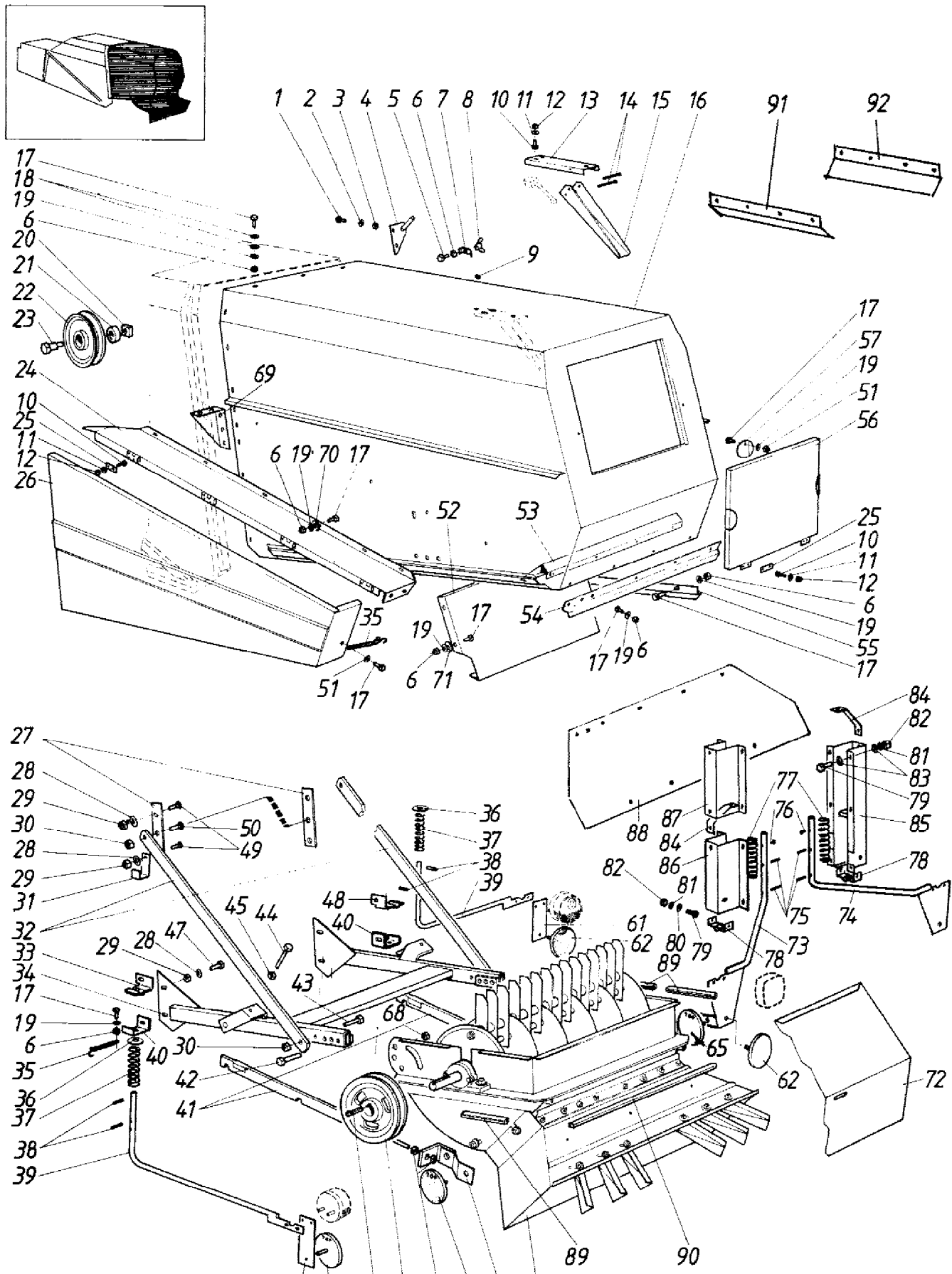


AGCO Corporation  
Parts List Report

Massey Ferguson (Europe)  
MF 330 COMBINE  
Page 78 - STRAW WALKERS

Item	Part Number	Qty	Part Description	Comments
1	SR633003	2	Shaker	Right Hand
2	SR633002	2	Shaker	Left Hand
3	SR621508	4	Extension	
4	S7400030	8	Disc	
5	S7414465	8	Lock Washer	
6	S6598504	8	Wing Nut	
7	S6594038	16	Nut	
8	S7400032	33	Disc	
8A	S7414057	16	Disc	
9	SR592397	8	Locking Plate	
10	SR072066	16	Cover	
11	SR637219	8	Bearing	
12	SR637301	1	Crankshaft	
13	SR622122	3	Sheet Metal	
14	S6220467	7	Screw	
15	S7414469	19	Lock Washer	
16	S6506234	18	Nut	
17	S6224070	16	Screw	
18	S6761114	16	Screw	
19	SR637300	1	Crankshaft	
20	S6594038	16	Nut	
21	S0511051	4	Bearing Ball	
22	S0569320	8	Flange	
23	S6758144	12	Screw	
24	S7814149	1	Roll Pin	
25	S7814205	1	Roll Pin	
26	SR637302	1	Pulley	
27	S9595515	2	Nut	
28	SR066732	3	Bush	
29	SR074964	3	Wheel	
30	SR603157	2	Pin	
31	SR603156	1	Protector	
32	SR609668	1	Extension	
33	S7812206	1	Cotter	
34	S0415240	1	Spring	
35	SR622432	1	Arm	
36	SR596052	1	Shaft	
37	SR603156	1	Protector	

OLKIKUPU  
HALMKUPA  
CHAFF HOOD  
STROHHAUBE  
CAPOT ARRIERE



AGCO Corporation  
Parts List Report

Massey Ferguson (Europe)  
MF 330 COMBINE  
Page 80 - CHAFF HOOD

---

Item	Part Number	Qty	Part Description	Comments
1	S6220867	2	Screw	
2	S7414469	2	Lock Washer	
3	S6506234	2	Nut	
4	SR652199	1	Stand	
5	S6212227	1	Screw	
6	S6506034	40	Nut	
7	SR652202	1	Latch	
8	S6598504	1	Wing Nut	
9	S0633573	1	Insulator	
10	S6162914	15	Screw	
11	S7461285	15	Disc	
12	S6505604	15	Nut	
13	SR092313	1	Holder	
14	S7812168	2	Cotter	
15	SR092312	1	Lever	
16	SR621234	1	Hood	
17	S6210667	39	Screw	
18	S7400030	22	Disc	
19	S7414465	39	Lock Washer	
20	SR595515	1	Nut	
21	SR066732	1	Bush	
22	SR586987	1	Tightener	
23	SR596052	1	Shaft	
24	SR621723	1	Cladding	
25	SR096755	6	Plate	
26	SR621718	1	Protector	
27	SR639253	2	Reinforcement	
28	S7414471	8	Lock Washer	
29	S6506434	8	Nut	
30	S6594238	4	Nut	
31	SR638054	1	Holder	
32	SR639252	2	Rod	
33	SR649805	1	Clip	
34	SR622124	1	Arm	
35	SR605043	2	Tension Spring	
36	S7400038	2	Disc	
37	S0415204	2	Spring	
38	S7814177	4	Roll Pin	
39	SR621641	2	Arm	

---

---

40	SR621647	2	Fastener	
41	SR605702	2	Rod	
42	S6242977	2	Screw	
43	S6232577	2	Screw	
44	S6232567	2	Screw	
45	S6506634	2	Nut	
46	S6507034	4	Nut	
47	S6226367	4	Screw	
48	SR649806	1	Clip	
49	S6763544	4	Screw	
50	S6770244	2	Screw	
51	S6593838	3	Nut	
52	SR620590	1	Deflector	
53	SR638167	1	Slat	
54	SR621655	1	Slat	
55	SR621654	1	Slat	
56	SR620580	1	Cover	
57	SR593586	2	Latch	
61	SR090680	2	Bracket	
62	S8020235	2	Reflector	
63	S7712113	1	Wedge	
64	SR608758	1	Pulley	
65	S8020234	2	Reflector	
66	SR613927	2	Holder	
67	S0498197	1	Shredder	
	S0498198	1	Shredder	
68	S6594438	2	Nut	
69	SR644623	1	Holder	
70	S7400030	10	Disc	
71	S7414055	4	Disc	
72	SR643201	1	Guard	For Sweden.
73	SR643520	1	Arm	Left Hand
				For Germany only or any text in German only.
74	SR643521	1	Arm	Right Hand
				For Germany only or any text in German only.
75	S7814205	4	Roll Pin	For Germany only or any text in German only.
76	S7266208	2	Screw	For Germany only or any text in German only.
77	S0415250	2	Spring	For Germany only or any text in German only.
78	SR643524	2	Holder	For Germany only or any text in German only.
79	S6211067	16	Screw	For Germany only or any text in German only.
80	S7414055	4	Disc	For Germany only or any text in German only.
81	S7414465	16	Lock Washer	For Germany only or any text in German only.
82	S6506034	16	Nut	For Germany only or any text in German only.
83	S7400030	12	Disc	For Germany only or any text in German only.
84	SR644307	2	Stand	For Germany only or any text in German only.
85	SR644305	1	Holder	For Germany only or any text in German only.

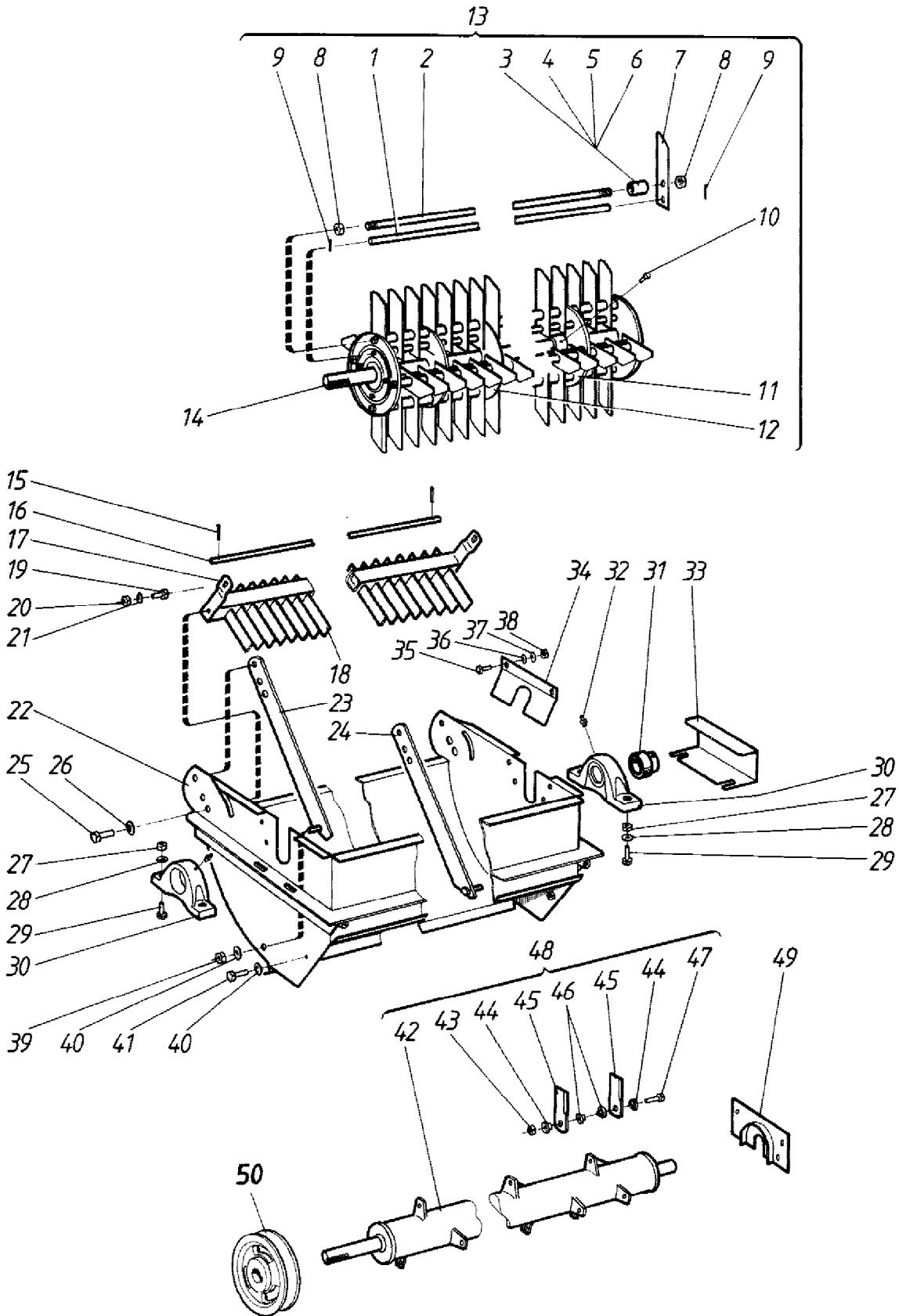
---

---

86	SR644301	1	Holder	For Germany only or any text in German only.
87	SR641693	1	Protector	For Germany only or any text in German only.
89	SR643232	3	Slat	For Germany only or any text in German only.
90	SR643231	1	Slat	For Germany only or any text in German only.
91	SR643665	1	Slat	Left Hand
92	SR646332	1	Slat	Right Hand

---

SILPPURI  
 HACKEN  
 STRAW CUTTER  
 STROHHÄCKSLER  
 HACHE-PAILLE



AGCO Corporation  
Parts List Report

Massey Ferguson (Europe)  
MF 330 COMBINE  
Page 84 - STRAW CUTTER

Item	Part Number	Qty	Part Description	Comments
1	S0480970	4	Rod	
2	S0480971	4	Rod	
3	S0480948	8	Bush	20 MM
4	S0480903	12	Bush	24.5 MM
5	S0480904	8	Bush	44.5 MM
6	S0480905	44	Bush	46.5 MM
7	S0480906	64	Knife	
8	S0480944	2	Nut	
9	S7812304	2	Cotter	
10	S0480930	2	Screw	
11	S0480928	2	Sheet Metal	
12	S0480929	4	Disc	
13	S0480980	1	Rotor	
14	S0480972	1	Shaft	
15	S7812205	2	Cotter	
16	S0480975	1	Rod	
17	S0480974	1	Carrier	
18	S0480917	31	Knife	
19	S6231167	2	Screw	
20	S6594238	2	Nut	
21	S7400032	2	Disc	
22	S0480979	1	Housing	
23	S0480976	1	Rod	Left Hand
24	S0480920	1	Rod	Right Hand
25	S0480945	2	Screw	
26	S7412481	2	Spring Plate	
27	S6594238	4	Nut	
28	S7412062	4	Disc	
29	S6231977	4	Screw	
30	S0480955	2	Bearing Housing	
31	S0480956	2	Bearing	
32	S0252405	2	Nipple	
33	S0480957	1	Protector	
34	S0480918	2	Protector	
35	S6220467	4	Screw	
36	S7400032	4	Disc	
37	S7414222	4	Lock Washer	
38	S6594038	4	Nut	
39	S0480946	2	Nut	

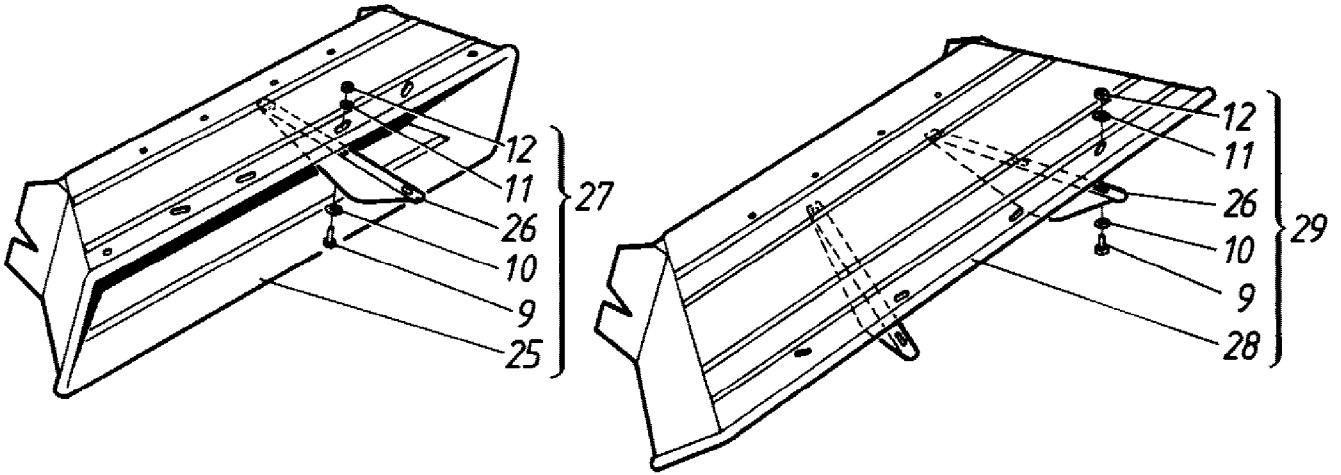
---

40	S7412062	4	Disc
41	S6231164	2	Screw
42	S0481010	1	Rotor
43	S0481003		Nut
44	S0481004		Bush
45	S0481002		Knife
46	S0481005		Bush
47	S0481006		Screw
48	S0481009	1	Rotor
49	S0481007	2	Protector
50	SR652354	1	Pulley

---

HAJOITINSUPPILO  
SPRIDAS MUNSTYCK  
DISTRIBUTOR PLATE  
VERTEILERPLECH  
PLAQUE DE DISTRIBUTION

---



AGCO Corporation  
Parts List Report

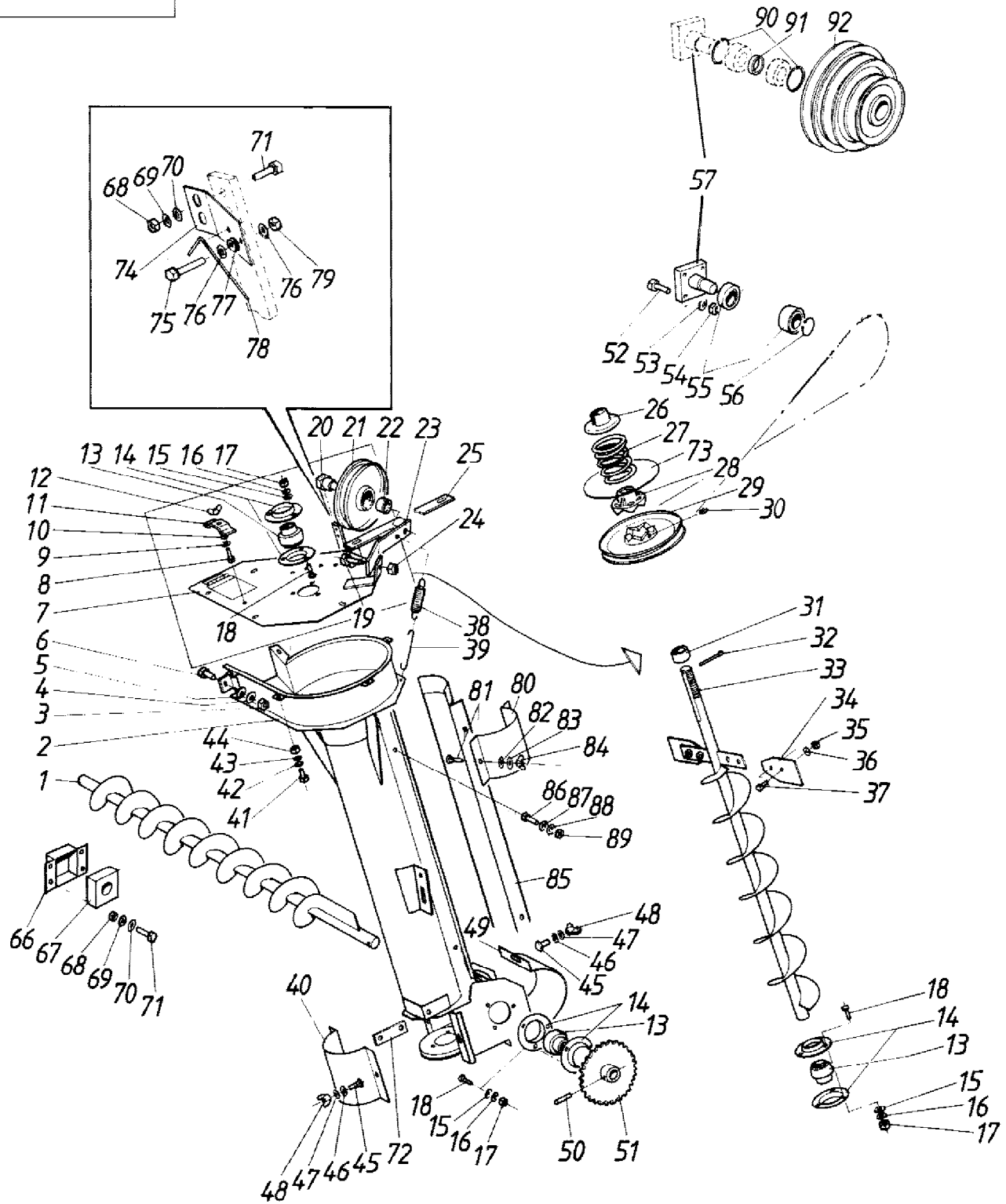
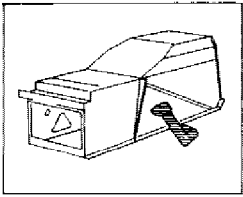
Massey Ferguson (Europe)  
MF 330 COMBINE  
Page 86 - DISTRIBUTOR PLATE

---

Item	Part Number	Qty	Part Description	Comments
9	S6210667	8	Screw	
10	S7400030	8	Disc	
11	S7414055	8	Disc	
12	S6593838	8	Nut	
25	SR643874	1	Distributor	
26	SR643844	4	Wing	
27	SR643873	1	Distributor	
28	SR643864	1	Distributor	
29	SR643863	1	Distributor	

---

RAJAISRUUVI  
RETURSKRUV  
RETURN AUGER  
ÜBERKEHRSCSCHNECKE  
VIS À OTONS



AGCO Corporation  
Parts List Report

Massey Ferguson (Europe)  
MF 330 COMBINE  
Page 88 - RETURN AUGER

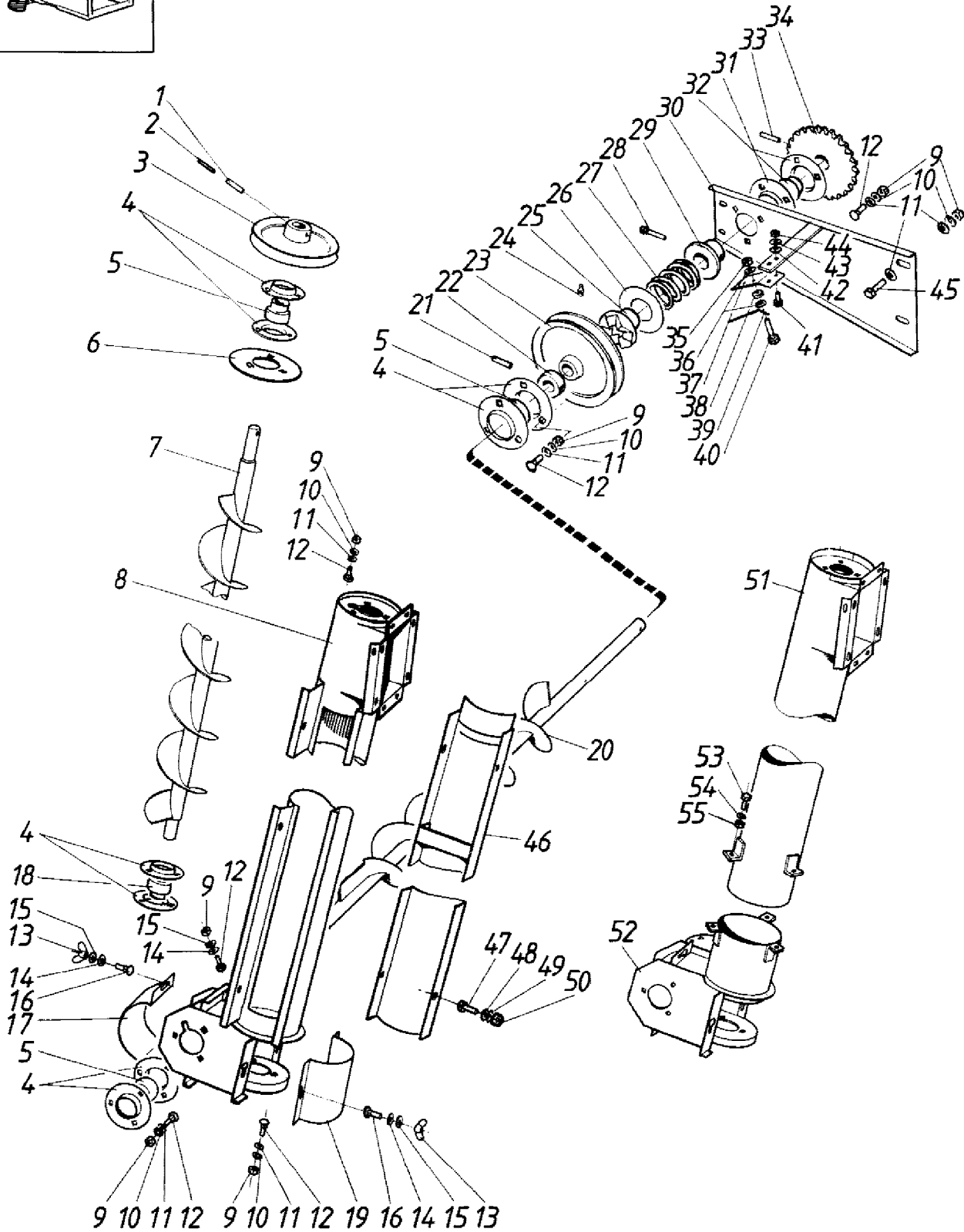
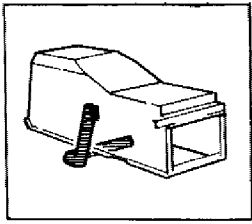
Item	Part Number	Qty	Part Description	Comments
1	SR637709	1	Worm	
2	SR621113	1	Elevator	
3	S6506234	3	Nut	
4	S7414469	3	Lock Washer	
5	S7400032	3	Disc	
6	S6220867	3	Screw	
7	SR621130	1	Cover	
8	S6211667	1	Screw	
9	S7414465	1	Lock Washer	
10	S6506034	1	Nut	
11	SR090452	1	Latch	
12	S6598504	1	Wing Nut	
13	S0511054	3	Bearing Ball	
14	S0569321	6	Flange	
15	S7400032	9	Disc	
16	S7414469	9	Lock Washer	
17	S6506234	9	Nut	
18	S6758344	9	Screw	
19	S6226567	1	Screw	
20	SR596052	1	Shaft	
21	SR074964	1	Wheel	
22	SR066732	1	Bush	
23	SR632989	1	Arm	
24	S6594148	1	Nut	
25	SR621952	1	Stand	
26	SR595855	1	Thrust Plate	
27	S0415175	1	Spring	
28	SR067448	1	Cam	
29	SR605128	1	Pulley	
30	S0252420	1	Nipple	
31	SR621658	1	Bush	
32	S7812258	1	Cotter	
33	SR621145	1	Worm	
34	SR632991	2	Wing	
35	S6506234	4	Nut	
36	S7414469	4	Lock Washer	
37	S6221467	4	Screw	
38	S0415179	1	Tension Spring	
39	SR632992	1	Hook	

---

40	SR621133	1	Cover
41	S6220867	6	Screw
42	S7400032	6	Disc
43	S7414469	6	Lock Washer
44	S6506234	6	Nut
45	S6758344	4	Screw
46	S7400032	4	Disc
47	S7414469	4	Lock Washer
48	S6598704	4	Wing Nut
49	SR621951	1	Cover
50	S7814205	1	Roll Pin
51	SR637713	1	Sprocket
52	S6226567	4	Screw
53	S7414471	4	Lock Washer
54	S6506434	4	Nut
55	S0502364	2	Bearing
56	S7815017	1	Ring
57	SR616106	1	Shaft
66	SR613936	1	Holder
67	SR613935	1	Bearing
68	S6506034	6	Nut
69	S7414465	6	Lock Washer
70	S7400030	6	Disc
71	S6211067	6	Screw
72	SR637716	1	Stand
73	SR605138	1	Disc
74	SR634531	1	Holder
75	SR596077	2	Screw
76	S7400030	4	Disc
77	S0633573	2	Insulator
78	S0415123	1	Spring
79	S6506034	2	Nut
85	SR641669	1	Cover
86	S6220467	6	Screw
87	S7400032	6	Disc
88	S7414469	6	Lock Washer
89	S6506234	6	Nut
90	S7815238	2	Circlip
91	SR639144	1	Bush
92	SR639143	1	Pulley

---

VILJARUUVI ALAOSA  
 SPANNMÅLSSKRUV UNDRE DEL  
 GRAIN AUGER LOWER PART  
 KÖRNER SCHNECKE UNTERER TEIL  
 VIS À GRAIN, PARTIE INTÉRIURE



AGCO Corporation  
Parts List Report

Massey Ferguson (Europe)

MF 330 COMBINE

Page 92 - GRAIN AUGER LOWER PART

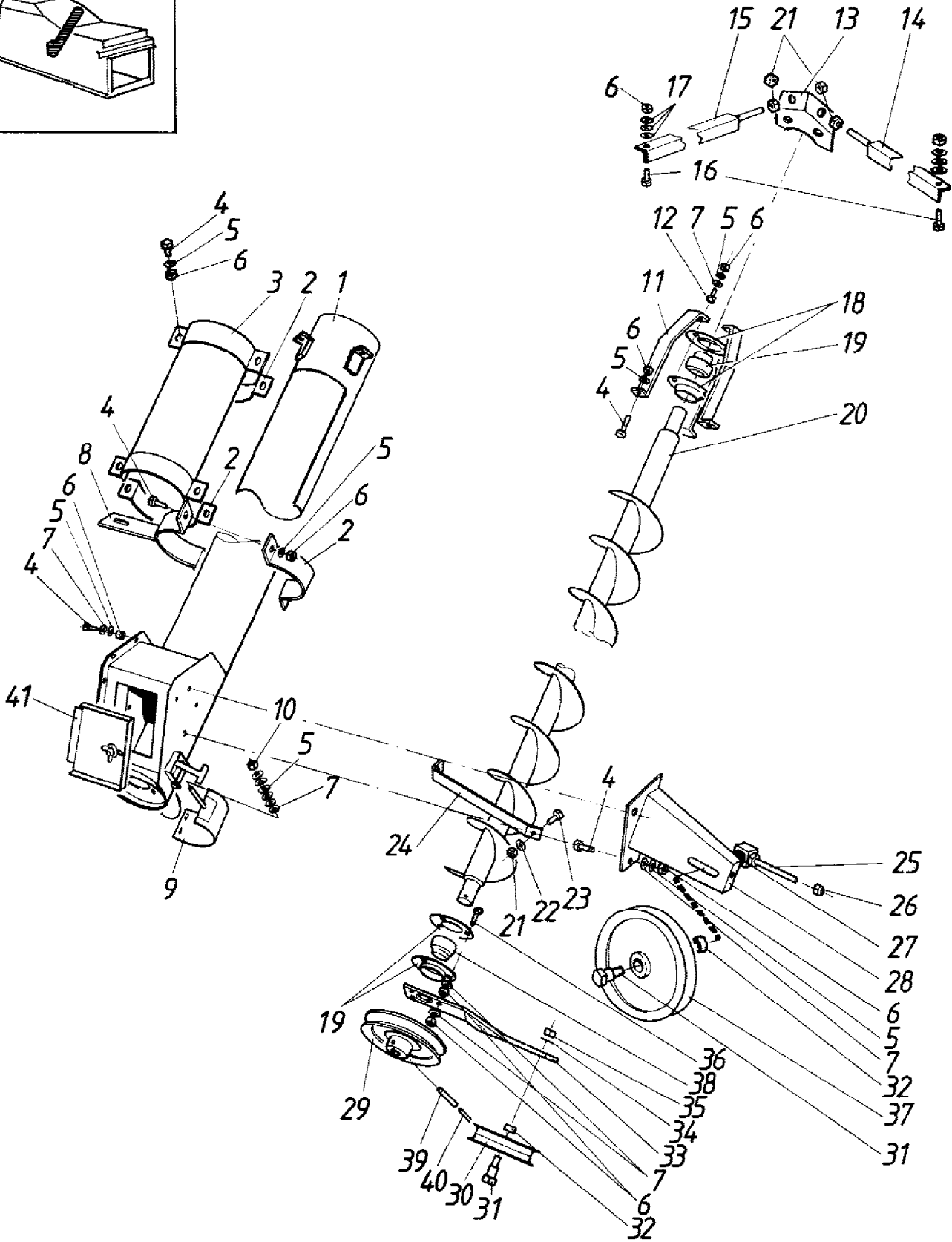
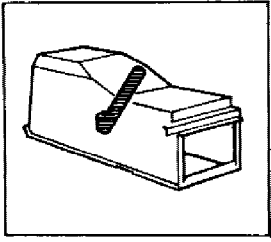
Item	Part Number	Qty	Part Description	Comments
1	S7814209	1	Roll Pin	
2	S7814149	1	Roll Pin	
3	SR071351	1	Pulley	
4	S0569321	8	Flange	
5	S0511054	3	Bearing Ball	
6	SR641659	1	Flange	
7	SR621029	1	Worm	
8	SR641646	1	Housing	
9	S6506234	19	Nut	
10	S7414469	17	Lock Washer	
11	S7400032	17	Disc	
12	S6758344	17	Screw	
13	S6598704	4	Wing Nut	
14	S7414009	4	Disc	
15	S7400032	4	Disc	
16	S6758544	4	Screw	
17	SR622452	1	Cover	
18	S0511360	1	Bearing Ball	
19	SR622453	1	Cover	
20	SR637710	1	Worm	
21	S7814205	1	Roll Pin	
22	SR637734	1	Bush	
23	SR607069	1	Pulley	
24	S0252420	1	Nipple	
25	SR067448	1	Cam	
26	SR605138	1	Disc	
27	S0415175	1	Spring	
28	S7812258	1	Cotter	
29	SR595855	1	Thrust Plate	
30	SR637718	1	Stand	
31	S0569320	2	Flange	
32	S0511051	1	Bearing Ball	
33	S7814177	1	Roll Pin	
34	SR637713	1	Sprocket	
35	S6506034	2	Nut	
36	S7400030	4	Disc	
37	SR634531	1	Holder	
38	S0633573	2	Insulator	
39	S0415123	1	Spring	

---

40	SR596077	2	Screw
41	S6211067	2	Screw
42	S7400030	2	Disc
43	S7414465	2	Lock Washer
44	S6506034	2	Nut
45	S6221267	1	Screw
46	SR641655	1	Cover
47	S6220867	6	Screw
48	S7400032	6	Disc
49	S7414469	6	Lock Washer
50	S6506234	6	Nut

---

VILJARUUVI YLÄOSA  
 SPANNMÅLSSKRUV ÖVRE DEL  
 GRAIN AUGER UPPER PART  
 KÖRNERSCHECKE OBERER TEIL  
 VIS À GRAIN, PARTIE SUPÉRIEURE



AGCO Corporation  
Parts List Report

Massey Ferguson (Europe)

MF 330 COMBINE

Page 94 - GRAIN AUGER UPPER PART

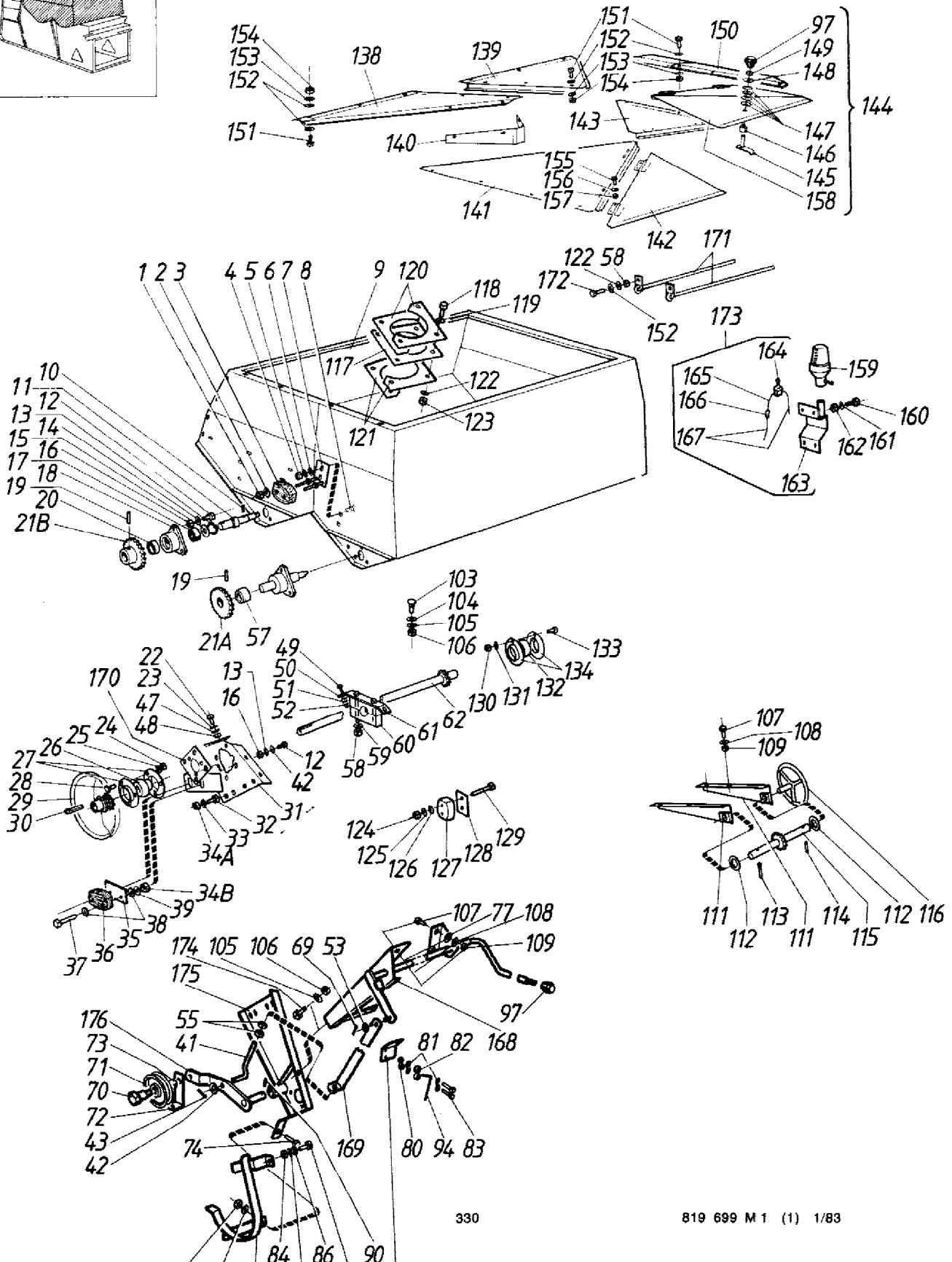
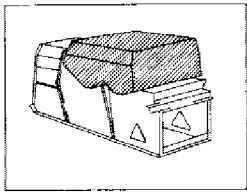
---

Item	Part Number	Qty	Part Description	Comments
1	SR621963	1	Elevator	
2	SR622419	3	Holder	
3	SR641664	1	Cover	
4	S6221267	19	Screw	
5	S7414469	27	Lock Washer	
6	S6506234	30	Nut	
7	S7400032	23	Disc	
8	SR622456	1	Holder	
9	SR641662	1	Cover	
10	S6594038	1	Nut	
11	SR621034	3	Arm	
12	S6221467	3	Screw	
13	SR637792	1	Holder	
14	SR637788	1	Stay	
15	SR637789	1	Stay	
16	S6221667	2	Screw	
17	S7414057	6	Disc	
18	S0569321	4	Flange	
19	S0511054	1	Bearing Ball	
20	SR621969	1	Worm	
21	S6506434	5	Nut	
22	S7414471	1	Lock Washer	
23	S6226167	1	Screw	
24	SR622467	1	Stand	
25	SR632799	1	Screw	
26	S6594148	1	Nut	
28	SR622463	1	Stand	
29	SR607090	1	Pulley	
30	SR074964	1	Wheel	
31	SR640994	2	Shaft	
32	SR066732	2	Bush	
33	SR622466	1	Stand	
34	S7414477	1	Lock Washer	
35	S6507034	1	Nut	
36	S6758544	3	Screw	
37	SR586987	1	Tightener	
38	S0511360	1	Bearing Ball	
39	S7814205	1	Roll Pin	
40	S7814149	1	Roll Pin	

---



VILJASĀLIŅŌ  
 SPANNMĀLSTANK  
 GRAIN TANK  
 KORNTANK  
 RESERVOIR A GRAIN



AGCO Corporation  
Parts List Report

Massey Ferguson (Europe)  
MF 330 COMBINE  
Page 96 - GRAIN TANK

Item	Part Number	Qty	Part Description	Comments
1	S6594038	2	Nut	
2	S7414057	2	Disc	
3	SR593788	1	Tensioner	
4	S6506234	2	Nut	
5	S7414469	2	Lock Washer	
6	S7414057	5	Disc	
7	SR593784	1	Tensioner	
8	S6758144	2	Screw	
9	SR620141	1	Grain Tank	
10	S7814235	2	Roll Pin	
11	SR620146	2	Shaft	
12	S6226367	10	Screw	
13	S7815241	6	Ring	
14	S7414471	6	Lock Washer	
15	SR615221	2	Disc	
16	S6506434	14	Nut	
17	S0502365	2	Bearing	
18	SR620142	2	Bearing Housing	
19	S7814205	2	Roll Pin	
20	SR620147	1	Bush	
21A	SR621949	1	Sprocket	
21B	SR637949	1	Sprocket	
22	S6220467	4	Screw	
23	S7400032	4	Disc	
24	S6506234	3	Nut	
25	S7414469	3	Lock Washer	
26	S0511054	1	Bearing Ball	
27	S0569321	2	Flange	
28	S6758144	3	Screw	
29	SR621207	1	Pulley	
30	S7712050	1	Gib Key	
31	SR643726	1	Mounting	
32	S6221267	4	Screw	
33	S7414057	8	Disc	
34A	S6506234	6	Nut	
34B	S6594038	2	Nut	
35	SR622403	1	Sheet Metal	
36	SR593788	1	Tensioner	
37	S6223077	2	Screw	

---

38	S7414057	4	Disc
41	SR596032	1	Rod
42	S7400033	5	Disc
43	S7812116	1	Cotter
44	S6594038	1	Nut
45	S7414057	1	Disc
46	SR652052	1	Protector
47	S7414469	4	Lock Washer
48	S6506234	4	Nut
49	S6758344	2	Screw
50	S7400032	2	Disc
51	S7414469	2	Lock Washer
52	S6506234	2	Nut
53	S7400034	1	Washer
54	S7414473	1	Lock Washer
55	S6506434	2	Nut
56	S7414471	1	Lock Washer
57	SR620148	1	Bush
58	S6506034	2	Nut
59	S7414055	2	Disc
60	SR582408	2	Bearing
61	SR633075	1	Mounting
62	SR633044	1	Shaft
69	S7814116	1	Roll Pin
70	SR596031	1	Axle
71	SR074964	1	Wheel
72	SR073800	1	Guide
73	SR066732	1	Bush
74	S6221667	1	Screw
76	S6221267	4	Screw
77	S7400032	4	Disc
78	S7414469	4	Lock Washer
79	S6506234	4	Nut
80	S6593838	2	Nut
81	S7400030	4	Disc
82	S0633573	2	Insulator
83	SR596077	2	Screw
84	S6506234	1	Nut
85	S7414469	1	Lock Washer
86	S7400032	1	Disc
87	S6221267	1	Screw
90	S7814116	1	Roll Pin
92	SR634528	1	Stand
93	SR634531	1	Holder
94	S0415123	1	Spring
96	S6220867	4	Screw

---

---

97	S6763544	2	Screw
103	S6763544	5	Screw
	S6763744	1	Screw
104	S7400035	12	Disc
105	S7400033	6	Disc
106	S6506434	6	Nut
107	S6220867	4	Screw
108	S7414469	4	Lock Washer
109	S6506234	4	Nut
111	SR621900	2	Bearing
112	S7412016	2	Disc
113	S7812162	1	Cotter
114	S7814141	1	Roll Pin
115	SR621902	1	Shaft
116	SR618484	1	Handwheel
117	SR633050	1	Joint
118	S6211067	4	Screw
119	S7414055	4	Disc
120	SR633049	2	Stand
121	SR633051	2	Stand
122	S7414465	4	Lock Washer
123	S6506034	4	Nut
124	S6506234	2	Nut
125	S7414469	2	Lock Washer
126	S7414057	4	Disc
127	SR593788	1	Tensioner
128	SR622403	2	Sheet Metal
129	S6223077	2	Screw
130	S6506234	3	Nut
131	S7414469	3	Lock Washer
132	S0511054	1	Bearing Ball
133	S6758344	3	Screw
134	S0569321	2	Flange
138	SR633201	1	Cover
139	SR633200	1	Cover
140	SR633208	1	Stand
141	SR633203	1	Cover
142	SR633204	1	Cover
143	SR655435	1	Cover
	SR633202	1	Cover
144	SR655432	1	Cover
	SR633206	1	Cover
145	SR605962	1	Latch
146	SR605965	1	Bush
147	S7414471	3	Lock Washer
148	S7400033	1	Disc

---

For Germany only or any text in German only.

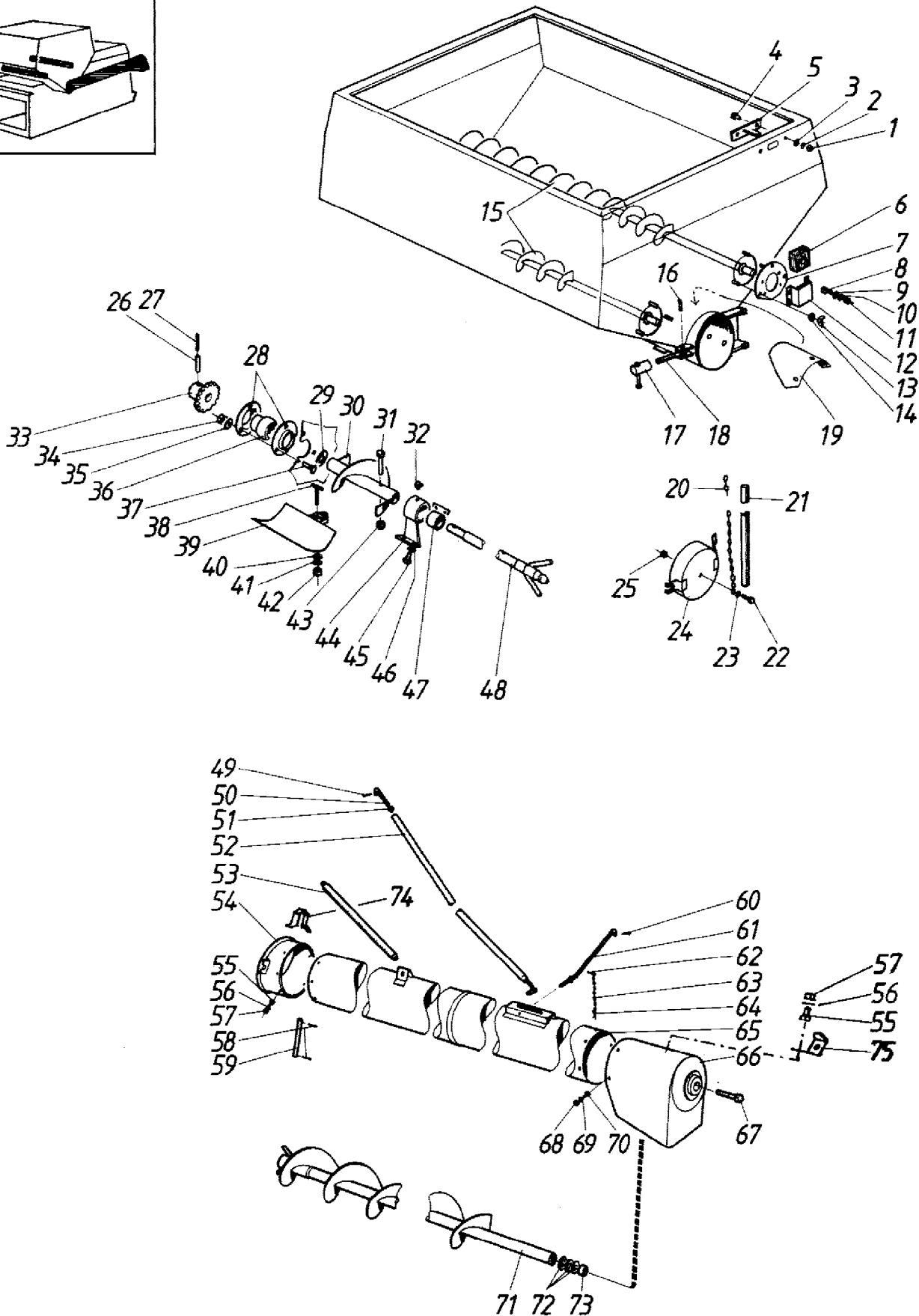
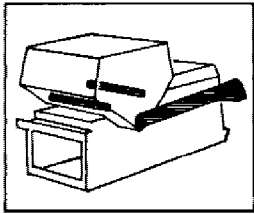
For Germany only or any text in German only.

---

149	S6594148	1	Nut	
150	SR637314	1	Stand	
151	S6210667	25	Screw	
152	S7414055	38	Disc	
153	S7414465	25	Lock Washer	
154	S6506034	25	Nut	
155	S6162914	8	Screw	
156	S7414463	8	Lock Washer	
157	S6506604	8	Nut	
158	SR655433	1	Cover	
	SR640802	1	Cover	For Germany only or any text in German only.
159	S8055518	1	Blinker Light	For Norway.
160	S6210667	4	Screw	For Norway.
161	S7414465	4	Lock Washer	For Norway.
162	S6506034	4	Nut	For Norway.
163	SR641685	1	Holder	For Norway.
164	S8033652	1	Light Switch	For Norway.
165	SR641690	1	Cable	For Norway.
166	S8063080	1	Fuse Box	For Norway.
	S8066650	1	Fuse	For Norway.
167	SR641691	2	Cable	For Norway.
168	SR643714	1	Lever	
169	SR643734	1	Rod	
170	SR643733	1	Flange	
171	SR655436	2	Lever	
172	S6211067	2	Screw	
173	SR641684	1	Holder	For Norway.
174	S6226367	1	Screw	
175	SR643721	1	Mounting	
176	SR643729	1	Lever	
177	SR661437	1	Protector	

---

VILJASÄILIÖN TYHJENNYSSOSAT  
 DELAR FÖR SPANNMÅLSTANKENS TÖMNING  
 UNLOADING PARTS FOR GRAIN TANK  
 KORNTANK - ENTLERUNGSTEILE  
 RÉSERVOIR À GRAIN - PARTIES DE DÉCHARGE



AGCO Corporation  
Parts List Report

Massey Ferguson (Europe)

MF 330 COMBINE

Page 102 - UNLOADING PARTS FOR GRAIN TANK

Item	Part Number	Qty	Part Description	Comments
1	S6506234	2	Nut	
2	S7414469	2	Lock Washer	
3	S7414057	2	Disc	
4	S6758144	2	Screw	
5	SR621648	1	Holder	
6	SR620572	2	Bearing	
7	SR621095	2	Flange	
8	S6210667	8	Screw	
9	S7400030	8	Disc	
10	S7414465	8	Lock Washer	
11	S6506034	8	Nut	
12	SR613936	2	Holder	
13	S6598704	6	Wing Nut	
	SR644511	6	Nut	For Germany only or any text in German only.
14	S7400032	6	Disc	
15	SR620145	2	Worm	
16	SR637577	1	Peg	
17	SR596469	1	Tumbuckle	
18	SR595861	1	Control Lock	
19	SR633073	1	Sheet Metal	
20	SR643210	1	Stand	For Germany only or any text in German only.
21	SR643211	1	Hose	For Germany only or any text in German only.
22	S6210667	1	Screw	For Germany only or any text in German only.
23	S7400030	1	Disc	For Germany only or any text in German only.
24	SR092374	1	Cover	
	SR092374	1	Cover	For Germany only or any text in German only.
25	S6593838	1	Nut	For Germany only or any text in German only.
26	S7814205	1	Roll Pin	
27	S7814149	1	Roll Pin	
28	S0569321	2	Flange	
29	S7414018	1	Disc	
30	SR620242	1	Worm	
31	S6227377	1	Screw	
32	S0252475	1	Nipple	
33	SR613785	1	Sprocket	
34	S6506234	3	Nut	
35	S7414469	3	Lock Washer	
36	S0511054	1	Bearing Ball	
37	S6758344	3	Screw	

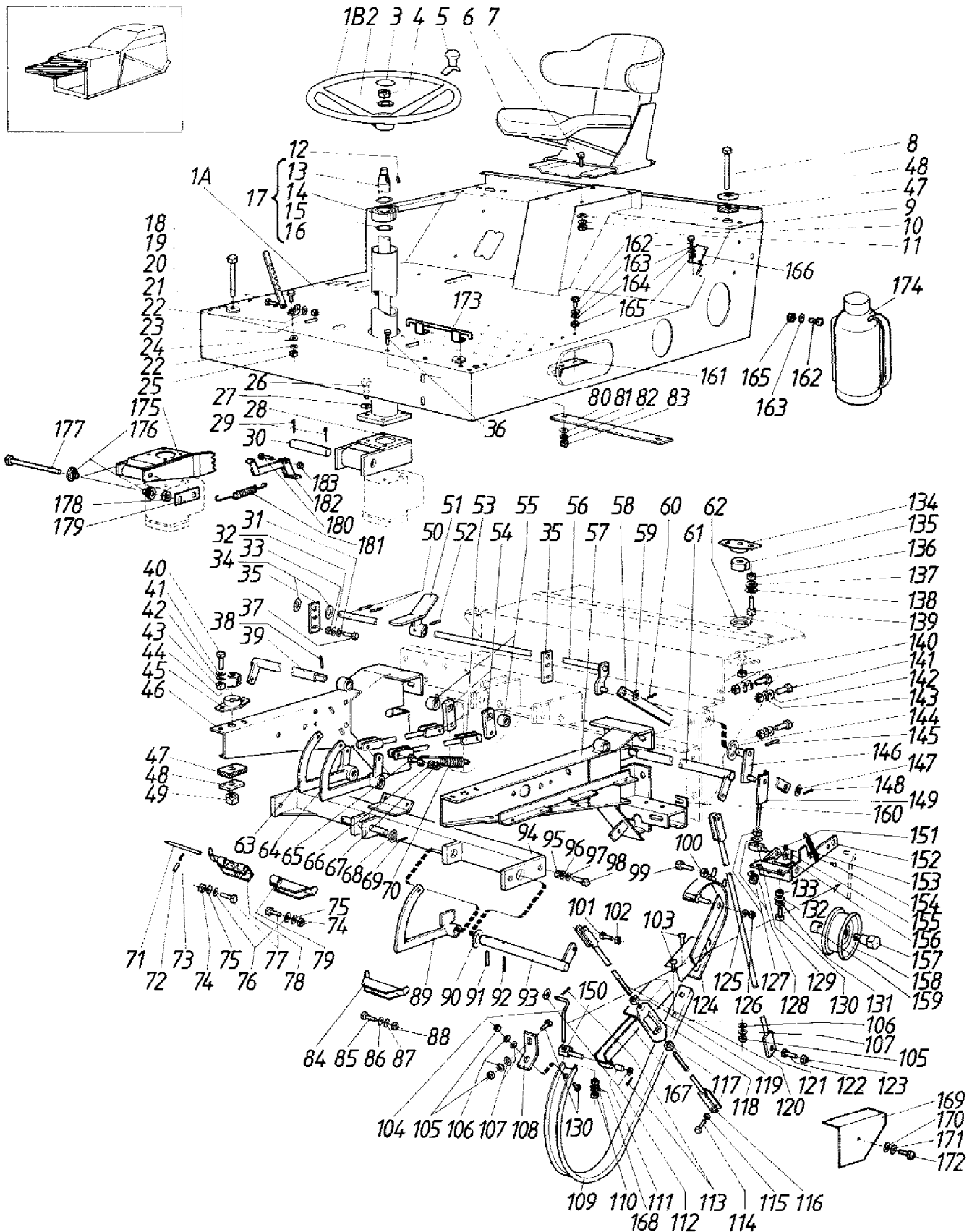
---

38	SR596066	1	Screw
39	SR621204	1	Cover
40	S7400032	3	Disc
41	S7414469	3	Lock Washer
42	S6594038	1	Nut
43	S6594148	1	Nut
44	SR616465	1	Bearing Housing
45	S6230567	4	Screw
46	S7414473	4	Lock Washer
47	S9616466	1	Bearing Housing
48	SR622096	1	Shaft
49	S7812156	1	Cotter
50	SR620537	1	Screw
51	S6506634	1	Nut
52	SR620538	1	Rod
53	S0415131	1	Spring
54	SR620460	1	Gaiter
55	S6220467	9	Screw
56	S7400032	9	Disc
57	S6594038	9	Nut
58	S7812156	2	Cotter
59	SR605507	1	Peg
60	S7812156	1	Cotter
61	SR621657	1	Rod
62	S7812156	1	Cotter
63	SR633110	1	Chain
64	S7812418	1	Linch Pin
65	SR620457	1	Tube
66	SR621614	1	Housing
67	SR621618	1	Pin
68	S6594038	4	Nut
69	S7400032	4	Disc
70	S6220467	4	Screw
71	SR620465	1	Worm
72	S7400038	3	Disc
73	SR066732	1	Bush
74	SR652331	1	Holder
75	SR652339	1	Stand

For Germany only or any text in German only.

---

KULJETTAJANLAVA  
FÖRARPLATTFORM  
OPERATORS PLATFORM  
FAHRSTAND  
PLATE FORME DE CONDUITE



AGCO Corporation  
Parts List Report

Massey Ferguson (Europe)  
MF 330 COMBINE  
Page 104 - OPERATORS PLATFORM

Item	Part Number	Qty	Part Description	Comments
1A	SR621327	1	Floor	
1B	S0493917	1	Steering Wheel	
2	S7400038	1	Disc	
3	S0493921	1	Cap	
4	S6523831	1	Nut	
5	S0493919	1	Knob	
6	S0492374	1	Seat	
	S0480594		Back Rest	
	S0480595		Seat Plate	
	S0480596		Shock Absorber	
	S0480597		Setscrew	
7	S6226167	4	Screw	
8	S6233567	2	Screw	
9	S7400033	4	Disc	
10	S7414471	4	Lock Washer	
11	S6506434	4	Nut	
12	S7716106	4	Wedge	
13	SR622492	1	Steering Column	
14	S0502340	1	Bearing	
15	S7815022	2	Circlip	
16	SR622491	1	Tube	
17	SR622490	1	Steering Column	
18	S6233567	2	Screw	
19	SR621469	1	Clip	
20	S6221267	2	Screw	
21	SR621470	1	Holder	
22	S7412469	2	Spring Plate	
23	S6594029	1	Nut	
24	S7400032	1	Disc	
25	S6506234	1	Nut	
26	S6226167	4	Screw	
27	S7414471	4	Lock Washer	
28	SR621514	1	Holder	Up to Serial or Engine Number 149474
29	S7812160	2	Cotter	Up to Serial or Engine Number 149474
30	SR621472	1	Pin	Up to Serial or Engine Number 149474
31	S7400032	4	Disc	
32	S7412469	4	Spring Plate	
33	S6506234	4	Nut	
34	S7400036	2	Disc	

---

35	SR621265	2	Holder	
36	S6221467	2	Screw	
37	S6221267	4	Screw	
38	S7814145	2	Roll Pin	
39	SR622157	1	Shaft	
40	S6226367	4	Screw	
41	S7414471	4	Lock Washer	
42	S7400033	4	Disc	
43	S6506434	4	Nut	
44	SR621784	2	Damper	
45	SR622387	2	Holder	
46	SR622142	1	Holder	Left Hand
47	SR605621	4	Damper	
48	SR605623	4	Disc	
49	S6594238	2	Nut	
50	S7812156	2	Cotter	
51	SR621379	1	Pedal	
52	S7814173	1	Roll Pin	
53	SR622161	2	Rod	
54	SR622155	2	Lever	
55	SR074784	2	Spacer	
56	SR621265	1	Holder	
57	SR622141	1	Holder	
58	SR621374	1	Rod	
59	S7400034	1	Washer	
60	S7812116	1	Cotter	
61	SR622156	1	Shaft	
62	SR621322	2	Shell	
63	SR621448	1	Lever	Right Hand
64	SR621447	1	Lever	Left Hand
65	S6221877	4	Screw	
66	S7400032	4	Disc	
67	S6594038	4	Nut	
68	S7400038	2	Disc	
69	S7812160	2	Cotter	
70	S0415112	2	Spring	
71	SR622489	1	Rod	
72	SR066028	1	Extension	
73	S7814145	1	Roll Pin	
74	S6506434	2	Nut	
75	S7414471	2	Lock Washer	
76	S7400033	2	Disc	
77	S6226567	2	Screw	
78	SR622486	1	Pedal	Right Hand
79	SR622487	1	Pedal	Left Hand
80	SR636169	2	Stand	

---

---

81	S7400032	2	Disc	
82	S7414469	2	Lock Washer	
83	S6506234	2	Nut	
84	SR622488	1	Pedal	
85	S6226567	1	Screw	
86	S7400033	1	Disc	
87	S7414471	1	Lock Washer	
88	S6506434	1	Nut	
89	SR622160	1	Lever	
90	SR583017	1	Disc	
91	S7814205	1	Roll Pin	
92	S7814149	1	Roll Pin	
93	SR622151	1	Shaft	
94	SR622144	1	Carrier	
95	S6506434	4	Nut	
96	S7414471	4	Lock Washer	
97	S7400033	4	Disc	
98	S6226367	4	Screw	
99	S6221877	2	Screw	
100	S6594038	2	Nut	
101	S6221877	2	Screw	
102	S6594038	2	Nut	
103	S6758344	2	Screw	
104	SR621372	1	Rod	
105	S6506234	4	Nut	
106	S7414469	4	Lock Washer	
107	S7400032	4	Disc	
108	SR616524	1	Holder	
109	SR621368	1	Protector	
110	S6506434	2	Nut	
111	SR616525	1	Bearing	
112	S7400034	2	Washer	
113	S7812116	2	Cotter	
114	S6221877	2	Screw	
115	S6594038	2	Nut	
116	SR622164	1	Rod	
117	S6506234	1	Nut	
118	S0679003	1	Screw	
119	S6595434	1	Nut	Left Hand
120	SR622180	1	Rod	
121	SR622163	1	Rod	
	SR643469	1	Rod	For Germany only or any text in German only.
122	S6221877	2	Screw	
123	S6594038	2	Nut	
124	SR621370	1	Protector	
125	S7414471	1	Lock Washer	

---

---

126	S6594148	1	Nut	
127	S6506634	2	Nut	
128	S7414473	2	Lock Washer	
129	SR621359	1	Extension	
130	S6221267	4	Screw	
131	S7400032	4	Disc	
132	S7412469	4	Spring Plate	
133	S6506234	4	Nut	
134	SR622387	2	Holder	
135	SR621784	2	Damper	
136	S6506434	4	Nut	
137	S7414471	4	Lock Washer	
138	S7400033	4	Disc	
139	S6226367	4	Screw	
140	S6595332	10	Nut	
141	S6231367	10	Screw	
142	S7400034	10	Washer	
143	S7414473	10	Lock Washer	
144	S7400038	1	Disc	
145	S7814121	1	Roll Pin	
146	SR621361	1	Lever	
147	S7400034	1	Washer	
148	S7812116	1	Cotter	
149	SR621355	1	Screw	
150	SR614702	1	Pin	
151	S6594838	1	Nut	
152	SR621350	1	Holder	
153	S0415183	1	Spring	
154	S6211067	1	Screw	
155	S7812116	1	Cotter	
156	S7400034	1	Washer	
157	SR596052	1	Shaft	
	SR603157	1	Pin	For Germany only or any text in German only.
158	SR074964	1	Wheel	
159	SR066732	1	Bush	
160	SR638624	2	Disc	
161	SR636580	1	Clip	
162	S6211067	6	Screw	
163	S7400030	6	Disc	
164	S7414465	4	Lock Washer	
165	S6506034	6	Nut	
166	SR644527	1	Protector	
167	SR620710	1	Protector	
168	S7400033	2	Disc	
169	SR641699	1	Protector	For Germany only or any text in German only.
170	S7400032	1	Disc	For Germany only or any text in German only.

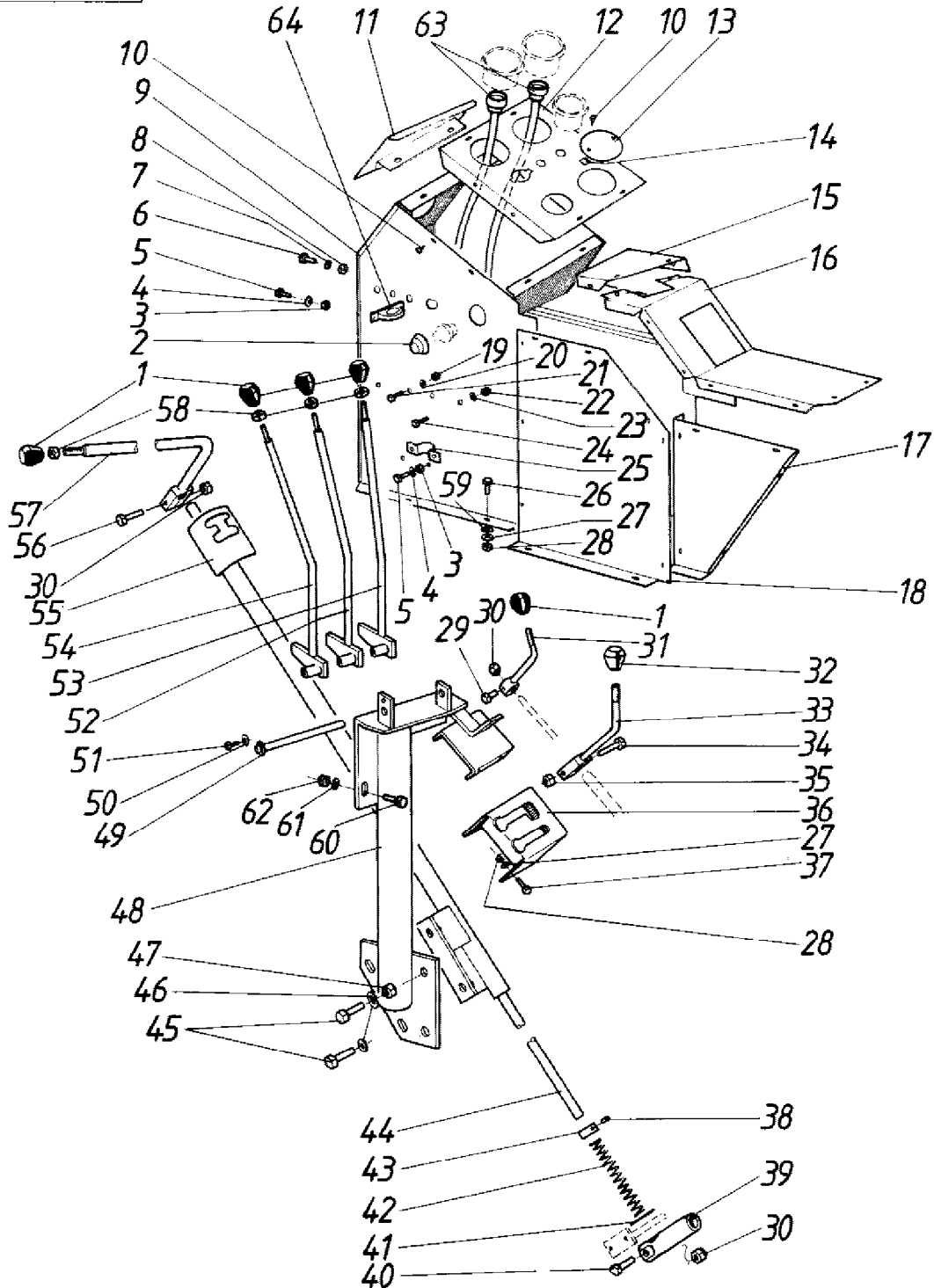
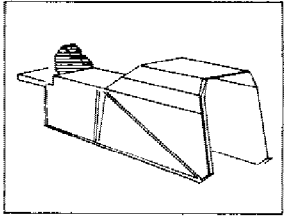
---

---

171	S7414469	1	Lock Washer	For Germany only or any text in German only.
172	S6220467	1	Screw	For Germany only or any text in German only.
173	SR644534	1	Stand	For Germany only or any text in German only.
174	S0498020	1	Extinguisher	
175	SR661495	1	Holder	From Serial or Engine Number 149484
176	SR661476	2	Bush	From Serial or Engine Number 149484
177	S6229777	1	Screw	From Serial or Engine Number 149484
178	S6594148	1	Nut	From Serial or Engine Number 149484
179	SR661505	1	Holder	From Serial or Engine Number 149484
180	S6226977	1	Screw	From Serial or Engine Number 149484
181	S0415116	1	Spring	From Serial or Engine Number 149484
182	SR661472	1	Pawl	From Serial or Engine Number 149484
183	S6594148	1	Nut	From Serial or Engine Number 149484

---

KOJETAULU  
INSTRUMENTBRÄDE  
INSTRUMENT PANEL  
ARMATURENBRETT  
BOITÉ DE CONTROLE



AGCO Corporation  
Parts List Report

Massey Ferguson (Europe)  
MF 330 COMBINE  
Page 110 - INSTRUMENT PANEL

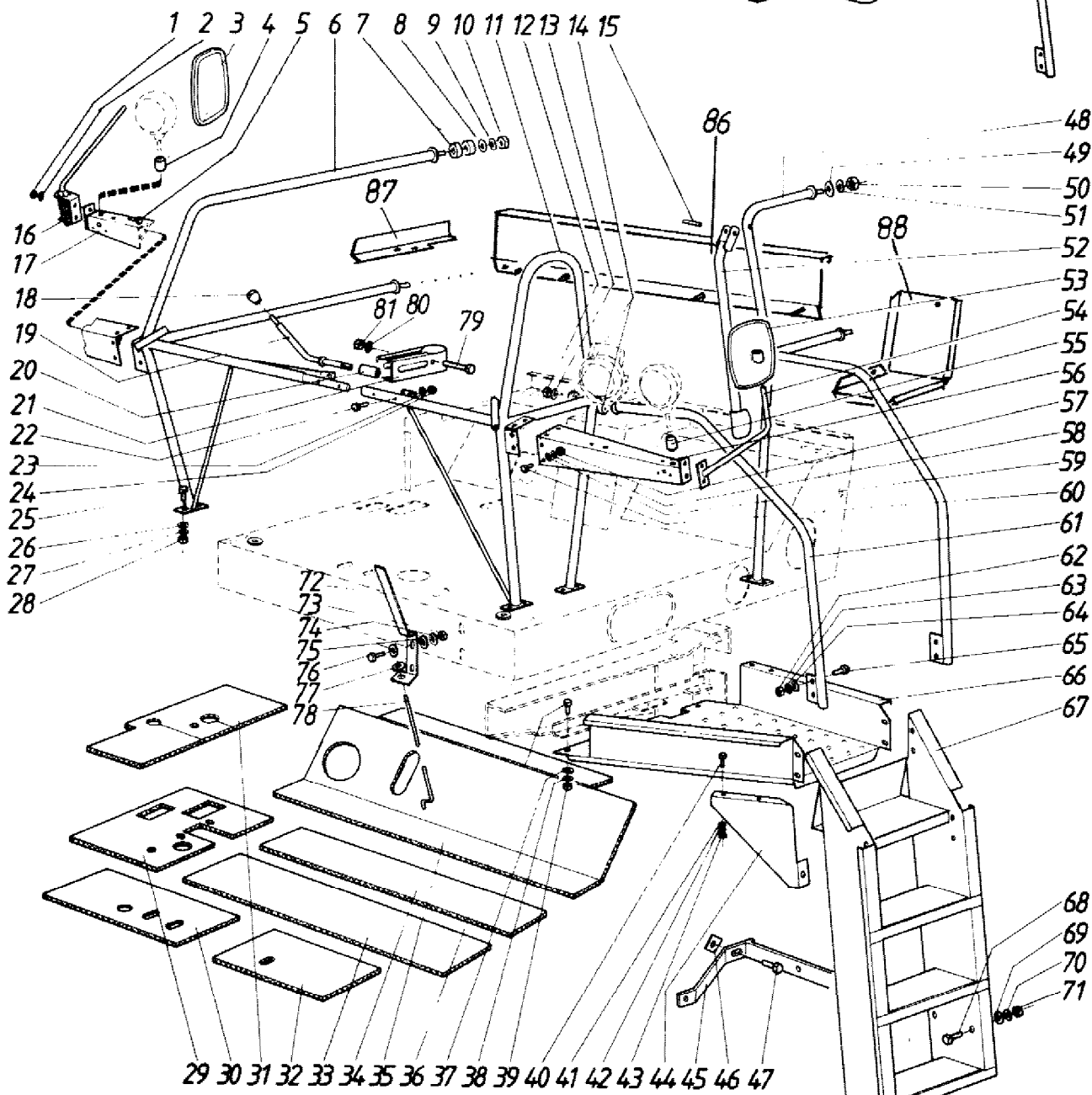
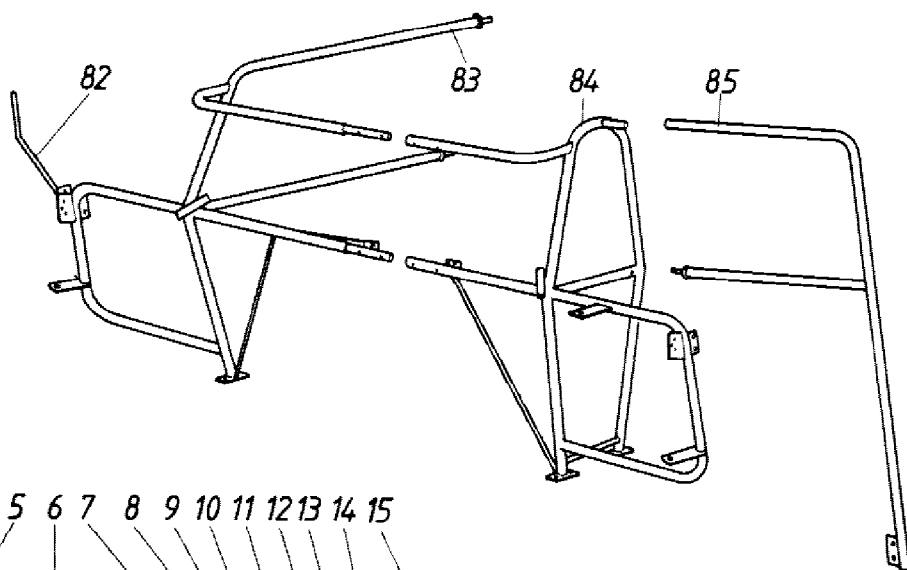
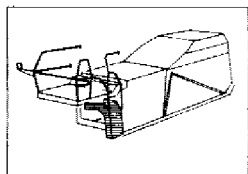
Item	Part Number	Qty	Part Description	Comments
1	S0879932	5	Knob	
2	S8033655	1	Boot	
3	S6505655	4	Nut	
4	S7414253	4	Disc	
5	S6162914	4	Screw	
6	S6211067	1	Screw	
7	S7414469	1	Lock Washer	
8	S6506234	1	Nut	
9	SR622251	1	Console	
10	S7266208	35	Screw	
11	SR622263	1	Protector	
12	SR622260	1	Panel	
	SR661548	1	Instrument Panel	For Germany only or any text in German only.
13	SR639277	1	Cover	
14	S6564212	2	Nut	
15	SR622255	1	Cover	
	SR644512	1	Cover	
16	SR622261	1	Cover	
17	SR622262	1	Sheet Metal	
18	SR636717	1	Sheet Metal	
19	S6505814	2	Nut	
20	S7414254	2	Disc	
21	S6066614	2	Screw	
22	S6505451	2	Nut	
23	S7412252	2	Disc	
24	S6161241	2	Screw	
25	S8030572	1	Clip	
26	S6210667	6	Screw	
27	S7414465	10	Lock Washer	
28	S6506034	10	Nut	
29	S6220867	1	Screw	
30	S6594148	3	Nut	
31	SR650553	1	Lever	
32	S0879934	1	Knob	
33	SR633055	1	Lever	
34	S6221867	1	Screw	
35	S6594038	1	Nut	
36	SR633046	1	Guide	
37	S6211067	4	Screw	

---

38	S7355795	1	Screw
39	SR611387	1	Lever
40	S6226767	1	Screw
41	S7400036	1	Disc
42	S0415239	1	Spring
43	SR605432	1	Bush
44	SR621746	1	Rod
45	S6231367	4	Screw
46	S7414473	4	Lock Washer
47	S6506634	2	Nut
48	SR622281	1	Pedestal
49	SR609765	1	Pin
50	S7400029	1	Disc
51	S6164814	1	Screw
52	SR602323	1	Lever
53	SR602324	1	Lever
54	SR640791	1	Lever
55	SR621743	1	Stay
56	S6226967	1	Screw
57	SR621747	1	Lever
58	S6506434	4	Nut
59	S7400030	4	Disc
60	S6222677	2	Screw
61	S7414469	2	Lock Washer
62	S6506234	2	Nut
63	S0296041	2	Tachometer Shaft
64	S8033656	1	Holder

---

KAITEET, PORTAAT  
RAMAR, TRAPPA  
RAILS, LADDER  
GELÄNDER, TREPPEN  
RAMPEN, ÉCHELLE



AGCO Corporation  
Parts List Report

Massey Ferguson (Europe)  
MF 330 COMBINE  
Page 112 - RAILS, LADDER

Item	Part Number	Qty	Part Description	Comments
1	S6506034	4	Nut	
2	S7414465	4	Lock Washer	
3	S0498805	1	Mirror	
4	SR616894	1	Bush	
5	S6211467	4	Screw	
6	SR621548	1	Fops	Up to Serial or Engine Number 149474
	SR661506	1	Fops	From Serial or Engine Number 149484
7	SR611114	4	Grommet	
8	S7414062	2	Disc	
9	S7414471	2	Lock Washer	
10	S6506434	2	Nut	
11	SR622495	1	Fops	Up to Serial or Engine Number 149474
	SR661507	1	Fops	From Serial or Engine Number 149484
12	S6506434	1	Nut	
13	S7414062	1	Disc	
14	SR611114	2	Grommet	
15	S7814205	1	Roll Pin	
16	S0871095	1	Holder	
17	SR621555	1	Stand	
18	S0879932	1	Knob	Up to Serial or Engine Number 149474
19	SR621552	1	Screw	Up to Serial or Engine Number 149474
20	SR632878	1	Bush	Up to Serial or Engine Number 149474
21	SR621554	1	Holder	Up to Serial or Engine Number 149474
22	S6221877	2	Screw	
23	S7414469	2	Lock Washer	
24	S6506234	2	Nut	
25	S6220867	6	Screw	
26	S7400032	6	Disc	
27	S7414469	6	Lock Washer	
28	S6506234	6	Nut	
29	SR634246	1	Mat	
30	SR633374	1	Mat	
31	SR634249	1	Mat	
32	SR633373	1	Mat	
33	SR633375	1	Mat	
34	SR634247	1	Mat	
35	SR634248	1	Mat	
36	S6220867	4	Screw	
37	S7400032	4	Disc	

---

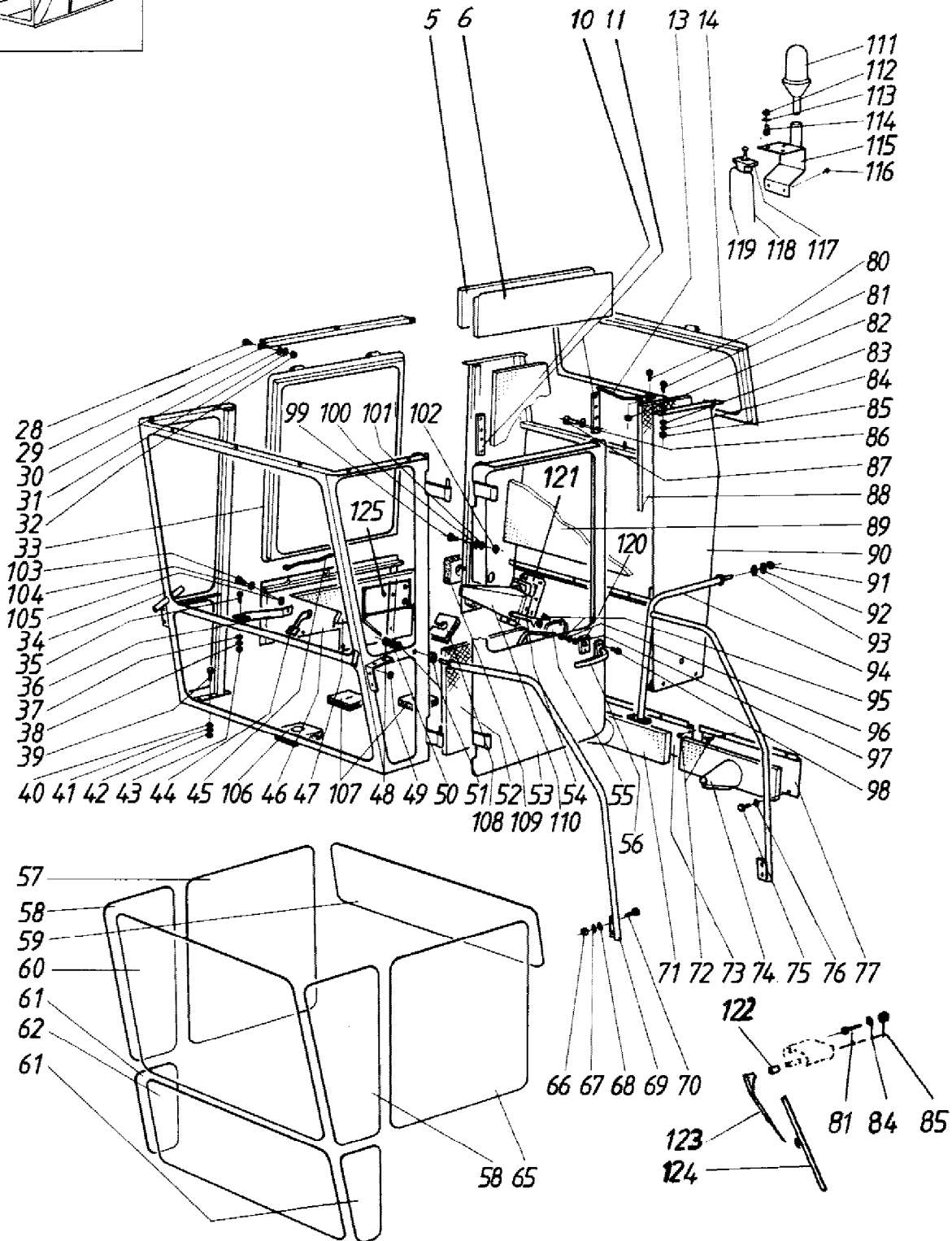
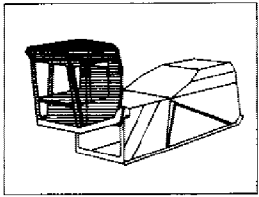
38	S7414469	4	Lock Washer	
39	S6506234	4	Nut	
40	S6211067	3	Screw	
41	S7400030	3	Disc	
42	S7414465	3	Lock Washer	
43	S6506034	3	Nut	
44	SR637141	1	Stand	
45	SR621338	1	Stand	
46	SR615968	1	Disc	
47	S6241167	1	Screw	
48	SR621345	1	Fops	
49	S7414062	2	Disc	
50	S6506434	2	Nut	
51	A7414471	2	Spring Washers	
52	SR611103	1	Fops	
53	S0498805	1	Mirror	
54	SR605674	1	Holder	
55	SR616894	1	Bush	
56	SR621556	1	Stand	
57	S6506234	4	Nut	
58	S7414469	4	Lock Washer	
59	S7400032	4	Disc	
60	S6221267	4	Screw	
61	SR621604	1	Fops	
62	S6506234	8	Nut	
63	S7414469	8	Lock Washer	
64	S7400032	8	Disc	
65	S6221267	8	Screw	
66	SR621341	1	Step	
67	SR621331	1	Stair	
68	S6226367	3	Screw	
69	S7400033	3	Disc	
70	S7414471	3	Lock Washer	
71	S6506434	3	Nut	
72	SR636171	1	Scale	
	SR6655351	1	Scale	For Germany only or any text in German only.
73	S6506034	2	Nut	
74	S7414465	2	Lock Washer	
75	S7400030	2	Disc	
76	S6211067	2	Screw	
77	S0633567	1	Insulator	
78	SR636174	1	Pointer	
	SR661578	1	Indicator	For Germany only or any text in German only.
79	S6223077	1	Screw	Up to Serial or Engine Number 149474
80	S7414469	1	Lock Washer	Up to Serial or Engine Number 149474
81	S6506234	1	Nut	Up to Serial or Engine Number 149474

---

---

82	SR605674	1	Holder
83	SR644277	1	Fops
84	SR644276	1	Fops
85	SR644538	1	Fops
86	SR643973	1	Insulator
87	SR643982	1	Insulator
88	SR643978	1	Insulator

---



AGCO Corporation  
Parts List Report

Massey Ferguson (Europe)  
MF 330 COMBINE  
Page 116 - CAB

---

Item	Part Number	Qty	Part Description	Comments
5	SR636288	1	Mat	
6	SR634262	1	Plate	
7	SR638294	1	Mat	
8	SR638295	1	Mat	
9	SR638293	1	Mat	
10	SR638300	1	Mat	
11	SR634365	2	Plate	
12	SR638294	1	Mat	
13	SR634337	1	Latch	
14	SR634804	1	Frame	
16	S6162914	4	Screw	
18	S7414463	4	Lock Washer	
19	S6505604	4	Nut	
28	S6221267	2	Screw	
29	SR634821	1	Slat	
30	S7400032	2	Disc	
31	S7414469	2	Lock Washer	
32	S6506234	2	Nut	
33	SR634805	1	Frame	
34	SR636146	1	Frame	
35	S6221267	2	Screw	
36	SR636165	1	Arm	
37	S7400032	2	Disc	
38	S7414469	2	Lock Washer	
39	S6221267	16	Screw	
40	S7400032	16	Disc	
41	S7414469	16	Lock Washer	
42	S6506234	16	Nut	
43	S6506234	2	Nut	
44	SR636164	1	Arm	
45	SR634337	1	Latch	
46	SR634824	1	Sheet Metal	
47	SR638301	1	Mat	
48	S6594148	1	Nut	
49	S0633576	2	Ring	
50	S7414062	1	Disc	
51	SR611114	2	Grommet	
52	SR634487	1	Mat	
53	SR634252	1	Door	

---

---

54	S0871029	1	Grip	
55	S0871025	1	Lock	
56	SR636162	1	Grip	
57	S0868277	1	Glass	
	S0633956	1	Profile	(E)
	S0633953	1	Profile	(E)
58	S0868223	2	Glass	
	S0633955	2	Profile	(E)
	S0633954	2	Profile	(E)
59	S0868229	1	Glass	
	S0633956	1	Profile	(E)
	S0633953	1	Profile	(E)
60	S0868219	1	Glass	
	S0633955	1	Profile	(E)
	S0633954	1	Profile	(E)
61	S0868225	2	Glass	
	S0633955	2	Profile	(E)
	S0633954	2	Profile	(E)
62	S0868221	1	Glass	
	S0633955	1	Profile	(E)
	S0633954	1	Profile	(E)
65	S0868217	1	Glass	
	S0633956	1	Profile	(E)
	S0633953	1	Profile	(E)
66	S6506234	4	Nut	
67	S7414469	4	Lock Washer	
68	S7400032	4	Disc	
69	SR638311	1	Fops	
70	S6220867	4	Screw	
71	SR638296	1	Mat	
72	S7266308	6	Screw	
73	SR634806	1	Sheet Metal	
74	SR638297	1	Mat	
75	S6211067	6	Screw	
76	S7414055	6	Disc	
77	SR636161	1	Sheet Metal	
80	S6211067	2	Screw	
81	S6220867	14	Screw	
82	S6593838	2	Nut	
83	S7400032	12	Disc	
84	S7414469	14	Lock Washer	
85	S6506234	14	Nut	
86	S7414469	4	Lock Washer	
87	S6220467	4	Screw	
88	SR638299	1	Mat	
89	SR638298	1	Mat	

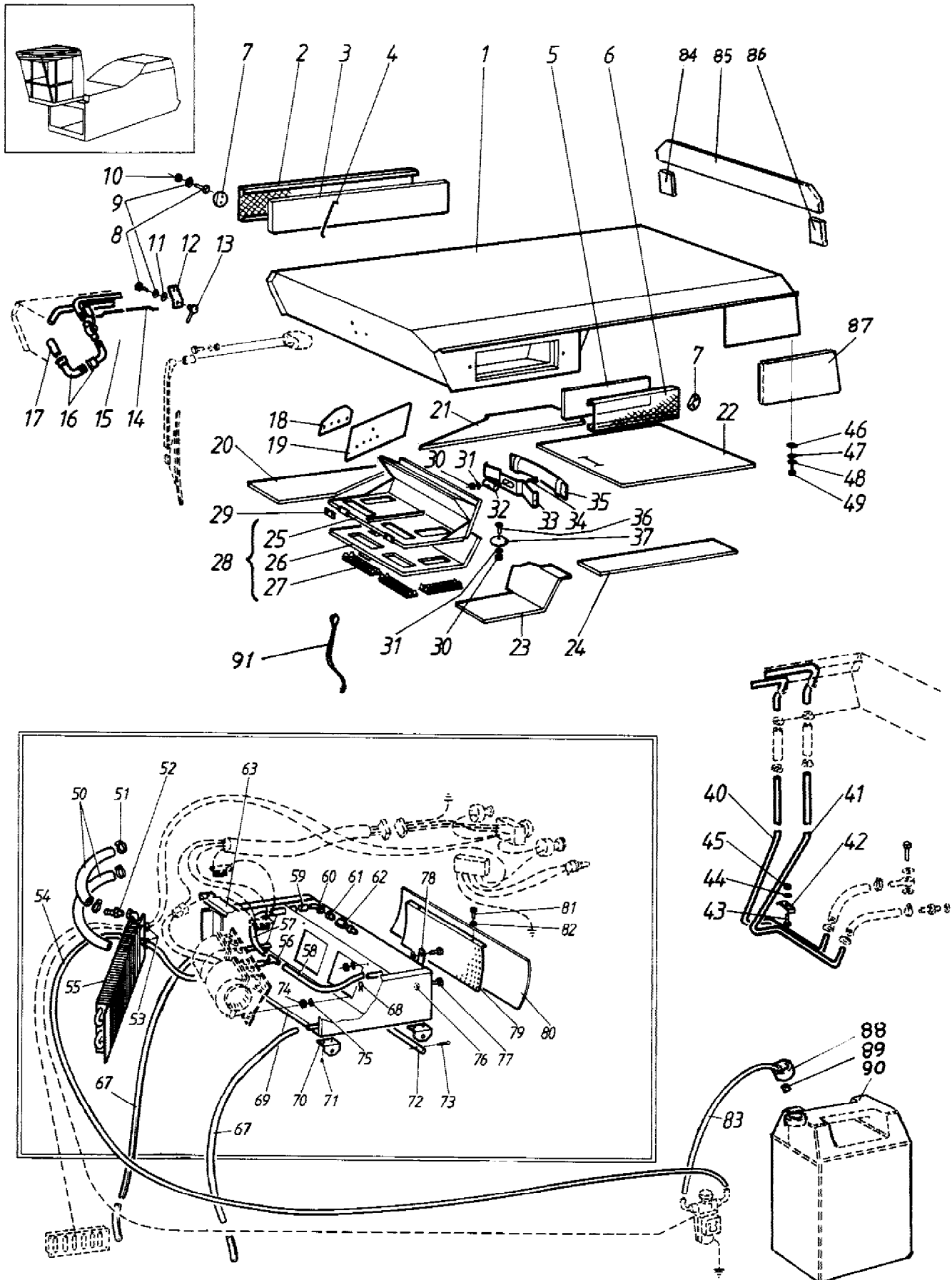
---

---

90	SR636146	1	Frame	
91	S6506434	1	Nut	
92	S7414471	1	Lock Washer	
93	S7414009	1	Disc	
94	SR638313	1	Fops	
95	S6025014	3	Screw	
96	S7400029	1	Disc	
97	S6505814	1	Nut	
98	S6066414	2	Screw	
99	S6211067	6	Screw	
100	S7400030	6	Disc	
101	S7414465	6	Lock Washer	
102	S6506034	6	Nut	
103	S6210667	6	Screw	
104	S7414055	6	Disc	
105	S6561112	6	Clip	
106	SR634462	1	Mat	
107	SR640794	2	Mat	
108	SR640855	1	Mat	
109	SR640793	1	Mat	
110	SR640763	1	Mat	
111	S8055518	1	Blinker Light	For Norway.
112	S6506034	2	Nut	For Norway.
113	S7414465	2	Lock Washer	For Norway.
114	S6210667	2	Screw	For Norway.
115	SR638706	1	Holder	For Norway.
116	S7266208	2	Screw	For Norway.
117	S8033652	1	Light Switch	For Norway.
118	SR641691	1	Cable	For Norway.
119	SR657040	1	Cable	For Norway.
120	SR634260	1	Plate	
121	SR640764	1	Sheet Metal	
122	SR594161	1	Bush	
123	S0498898	1	Wiper Arm	
124	S0498899	1	Wiper Blade	
125	SR661529	1	Sheet Metal	From Serial or Engine Number 146473 (E) BY ORDERING SEAL AND STRIP THE LENGTH SHALL BE GIV EN IN METERS.

---

HYTIN KATTO  
HYTTAK  
TOP OF THE CAB  
DECK DER KABINE  
DESSUS DE LA CABINE



AGCO Corporation  
Parts List Report

Massey Ferguson (Europe)  
MF 330 COMBINE  
Page 120 - TOP OF THE CAB

Item	Part Number	Qty	Part Description	Comments
1	SR652379	1	Roof	
2	SR652044	1	Frame	
3	SR652045	1	Filter	
4	SR655458	3	Holder	
5	SR652304	1	Filter	
6	SR652303	1	Frame	
7	SR593586	4	Latch	
8	S6210667	5	Screw	
9	S7414465	5	Lock Washer	
10	S6593838	4	Nut	
11	S7414055	1	Disc	
12	SR652321	1	Lever	
13	SR652318	1	Lever	
14	SR652047	1	Rod	
15	SR652323	1	Control Valve	
16	S5426307	2	Elbow	90 {0}
17	SR644613	1	Tube	
18	SR655457	1	Sheet Metal	
19	SR655338	1	Mat	
20	SR652042	1	Mat	
21	SR652395	1	Mat	
22	SR652396	1	Mat	
23	SR652041	1	Mat	
24	SR652397	1	Mat	
25	SR652032	1	Cover	
26	SR652043	1	Mat	
27	S0492363	4	Nozzle	
28	SR652031	1	Cover	
29	SR096755	2	Plate	
30	S6593838		Nut	
31	S7414055		Disc	
32	SR640782	1	Knuckle	
33	SR652300	1	Holder	
34	S6211877	1	Screw	
35	S0498802	1	Mirror Glass	
36	S6210667	1	Screw	
37	SR634410	1	Latch	
38	S0629052	8	Clip	
39	SR644612	2	Hose	

---

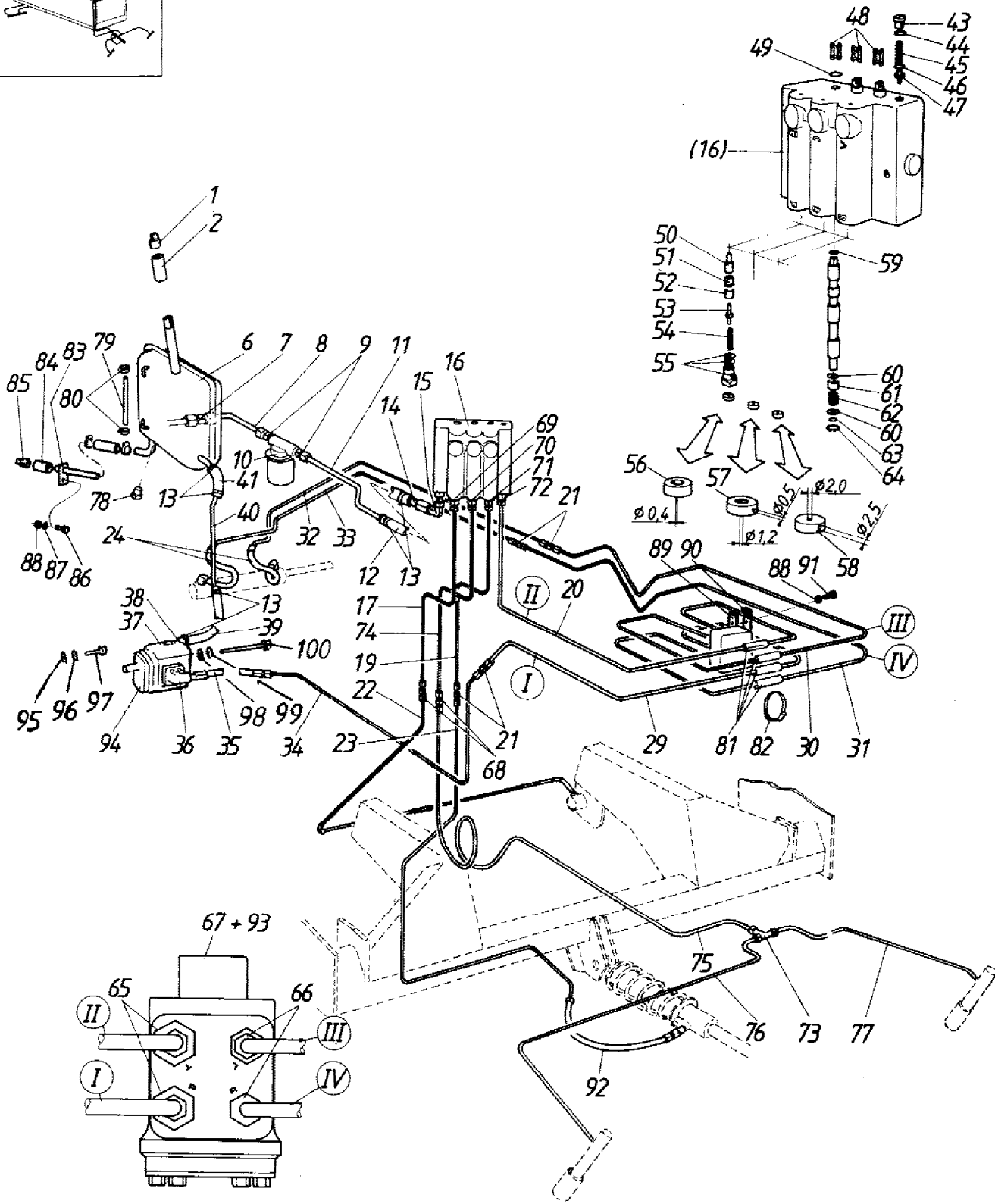
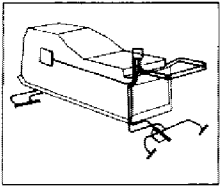
40	SR652403	1	Tube
41	SR652402	1	Tube
42	SR643251	2	Holder
43	S6211877	2	Screw
44	S7414055	2	Disc
45	S6593838	2	Nut
46	S6561112	8	Clip
47	S7414055	8	Disc
48	S7414465	8	Lock Washer
49	S6211067	8	Screw
50	SR652324	2	Hose
51	S0629052	4	Clip
52	S0481155	2	Union
53	S0633567	2	Insulator
54	SR656697	1	Hose
55	S0493016	1	Heater
56	S0481158	1	Union
57	S0481159	1	Hose
58	S0481156	1	Hose
59	S0481183	2	Hose
60	S0481174	2	Union
61	S0481175	2	Union
62	S0481176	2	Jet
63	S0481154	1	Slat
67	SR652325	2	Hose
68	S0481157	2	Clip
69	S0481150	1	Housing
70	SR652046	4	Holder
71	S7266208	8	Screw
72	SR652037	2	Holder
73	S7812114	4	Cotter
74	S0481180	4	Nut
75	S7414465	4	Lock Washer
76	S0481179	4	Disc
77	S0481177	4	Screw
78	S0481178	2	Disc
79	S0481152	1	Filter
80	S0481153	1	Filter
81	S0481182	2	Nut
82	S0481181	2	Screw
83	SR652404	1	Hose
84	SR638294	1	Mat
85	SR638295	1	Mat
86	SR638294	1	Mat
87	SR638293	1	Mat
88	SR659634	1	Plug

---

---

89	S0633657	1	Insulator
90	S0499035	1	Container
91	SR661400	2	Holder

---



AGCO Corporation  
Parts List Report

Massey Ferguson (Europe)

MF 330 COMBINE

Page 124 - HYDRAULICS-TABLE CLUTCH

Item	Part Number	Qty	Part Description	Comments
1	SR638608	1	Plug	
2	S5421101	1	Thimble	
6	SR622352	1	Tank	
7	S0629385	1	Union	
8	SR622481	1	Tube	
9	S0629387	2	Union	
10	S0492366	1	Filter	
	S0499820		Oil Filter	
11	SR633352	1	Tube	
12	SR638245	1	Hose	
13	S0629054	8	Clip	
14	SR638242	1	Tube	
15	S0629347	1	Union	
16	S0492305	1	Control Valve	
17	SR637526	1	Tube	
19	SR633155	1	Tube	
20	SR633152	1	Tube	
21	S0629395	4	Union	
22	SR637527	1	Tube	
23	SR633156	1	Tube	
24	S0620869	2	Hydr Hose	
	S0620856	2	Hose	For Germany only or any text in German only.
29	SR633147	1	Tube	
30	SR633149	1	Tube	
31	SR633148	1	Tube	
32	SR633151	1	Tube	
33	SR633150	1	Tube	
34	SR633146	1	Tube	
35	S0620868	1	Hydr Hose	
	S0620857	1	Hose	Up to Serial or Engine Number 146463
	S0620856	1	Hose	From Serial or Engine Number 146473
36	S0629305	1	Union	
37	S0629309	1	Union	
38	SR612231	1	Tube	
39	SR622380	1	Tube	
40	SR622379	1	Tube	
41	SR096341	2	Hose	
43	S0480220	1	Plug	
44	S0480218	1	Disc	

---

45	S0480203	1	Spring
46	S0480227	1	Disc
47	S0480217	1	Valve
48	S0657097	3	Yoke
49	S0480210	3	O Ring
50	S0480207	3	Piston
51	S0480229	3	Bush
52	S0480228	3	Bush
53	S0480216	3	Valve
54	S0480250	3	Spring
55	S0480249	3	Plug
56	SR588820	1	Guide Bush
57	SR645580	1	Guide Bush
58	SR605821	1	Guide Bush
59	S0480212	3	O Ring
60	S0480201	6	Disc
61	S0480215	3	Bush
62	S0480214	3	Spring
63	S0480251	3	Ring
64	S0480202	3	Circlip
65	S0629360	2	Union
66	S0629355	2	Union
67	SR622311	1	Steering Pump
68	S0629410	2	Union
69	SR637953	1	Union
70	S0629416	1	Union
71	S0629370	1	Union
72	S0629365	1	Union
73	S0629413	1	Union
74	SR637528	1	Tube
75	SR637529	1	Tube
76	SR637531	1	Tube
77	SR637530	1	Tube
79	SR622361	1	Hose
80	S0629037	1	Clip
81	SR611938	4	Hose
82	S0629055	1	Clip
83	SR622357	1	Tube
84	S5401096	1	Thimble
85	S5401767	1	Plug
86	S6210667	1	Screw
87	S7400030	1	Disc
88	S6593838	2	Nut
89	SR611918	1	Holder
90	SR064409	1	Holder
91	S6211627	1	Screw

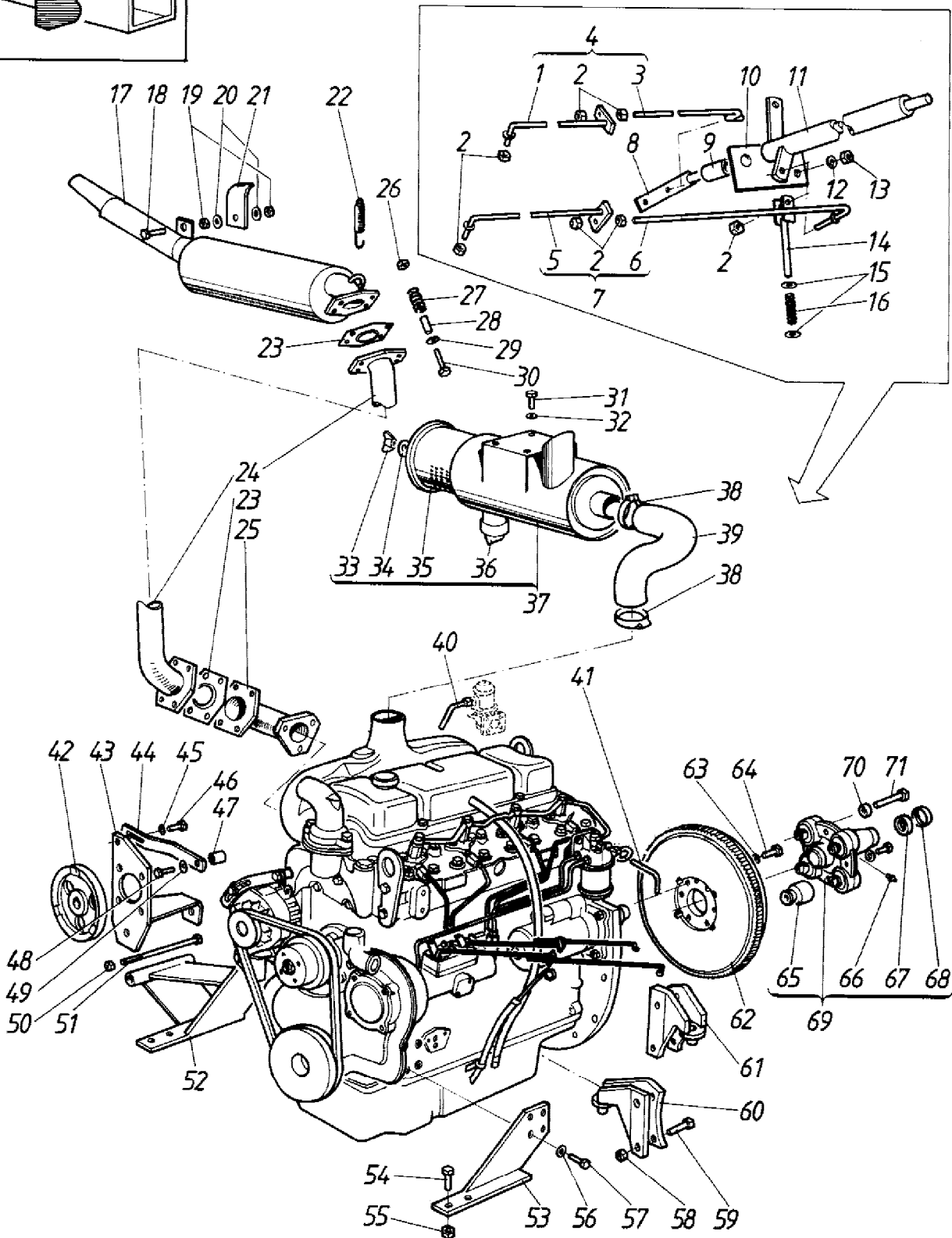
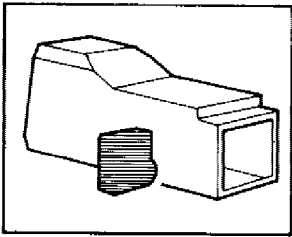
---

---

92	S0620869	1	Hydr Hose
93	S0480331	1	Kit, Joint
94	S0492308	1	Hydraulic Pump
	S0480451	1	Kit, Joint
98	S7400033	2	Disc
99	S7414471	2	Lock Washer
100	S6228777	2	Screw

---

**MOOTTORIN VARUSTEET**  
**MOTORS UTRUSTNING**  
**ENGINE EQUIPMENT**  
**AUSRÜSTUNG DES MOTORS**  
**EQUIPEMENT DE MOTEUR**



AGCO Corporation  
Parts List Report

Massey Ferguson (Europe)  
MF 330 COMBINE  
Page 128 - ENGINE EQUIPMENT

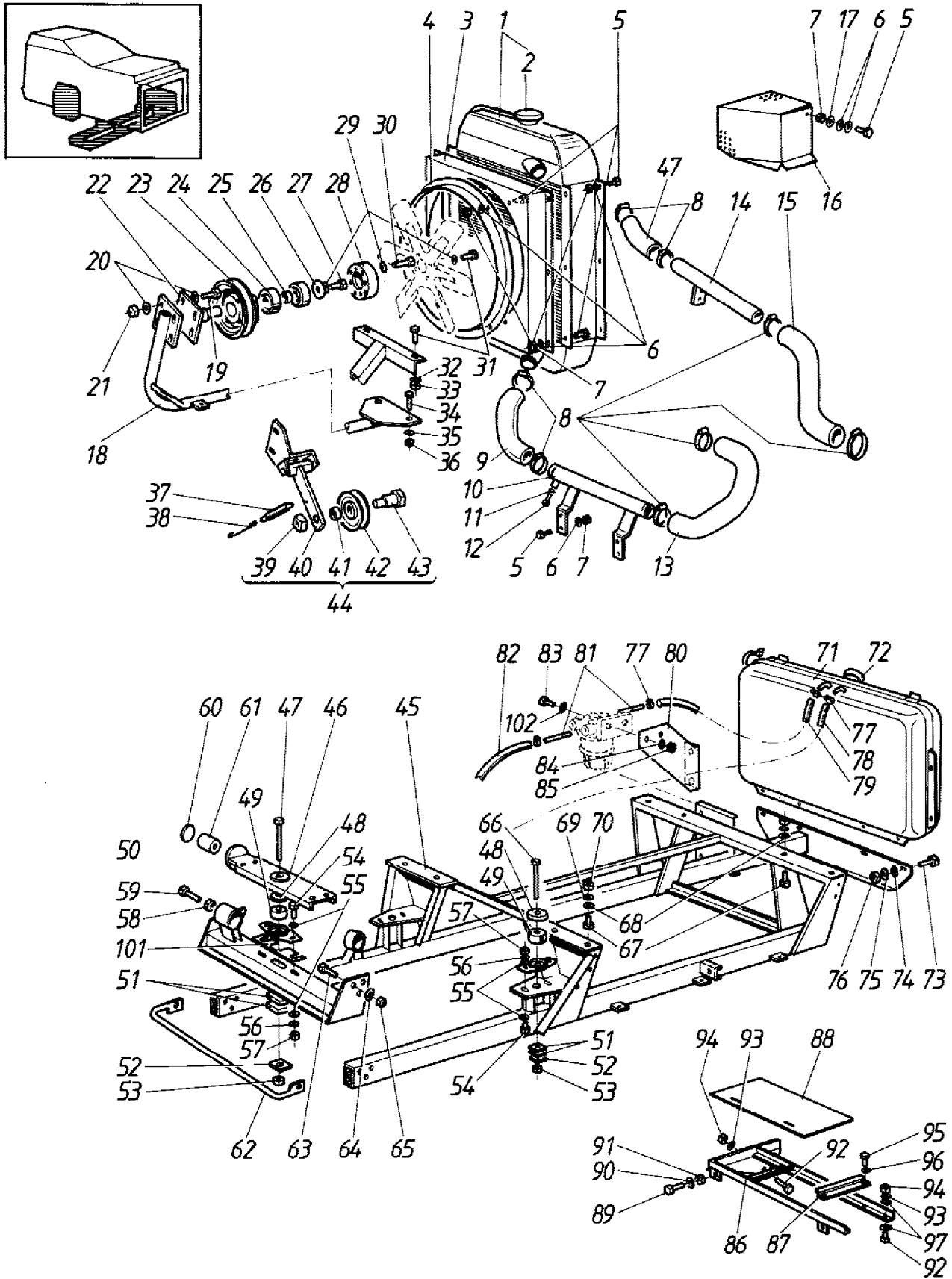
Item	Part Number	Qty	Part Description	Comments
1	SR659510	1	Lever	
2	S6593838	7	Nut	
3	SR636687	1	Lever	
4	SR659509	1	Lever	
5	SR625029	1	Lever	
6	SR659512	1	Lever	
7	SR659511	1	Cutoff	
8	SR633056	1	Shaft	
9	SR650558	1	Bush	
10	SR622275	1	Bearing	
11	SR633057	1	Shaft	
12	S7414471	1	Lock Washer	
13	S6506434	1	Nut	
14	SR652203	1	Fork	
15	S7400032	2	Disc	
16	S0415134	1	Spring	
17	SR622312	1	Silencer	
18	S6221667	1	Screw	
19	S6506234	2	Nut	
20	S7412057	2	Washer	
21	SR622325	1	Stand	
22	S0415116	1	Spring	
23	SR655464	2	Spacer	
24	SR661100	1	Tube	
25	SR657127	1	Manifold	
26	S6506434	8	Nut	
27	S0415108	8	Spring	
28	SR656817	8	Bush	
29	S7400033	8	Disc	
30	S6227577	8	Screw	
31	S6220867	4	Screw	
32	S7400032	4	Disc	
33	S6598704	1	Wing Nut	
34	S7412057	1	Washer	
35	S0480352	1	Filter Insert	
36	S0480351	1	Valve	
37	S0492367	1	Filter	
38	S0629068	2	Clip	
39	S0620940	1	Hose	

---

40	SR659595	1	Tube
41	SR659594	1	Tube
42	SR602445	1	Pulley
43	SR655358	1	Mounting
44	SR622059	1	Arm
45	S7412057	1	Washer
46	S6221267	1	Screw
47	SR659452	1	Bush
48	S6460142	1	Screw
49	S7400033	1	Disc
50	S6594238	1	Nut
51	S6234777	1	Screw
52	SR657074	1	Mounting
53	SR657075	1	Holder
54	S6226767	4	Screw
55	S6594148	4	Nut
56	S7410212	8	Disc
57	S6463662	8	Screw
58	S6594139	4	Nut
59	S6393612	4	Screw
60	SR657095	1	Holder
61	SR657096	1	Holder
62	SR657072	1	Flywheel
63	S7400034	6	Washer
64	S6467762	6	Screw
65	SR659516	4	Bush
66	S0252420	2	Nipple
67	S0639516	1	Seal
68	SR633113	1	Protector
69	SR659515	1	Coupling
70	SR659213	4	Bush
71	S6393852	4	Screw

---

JÄÄHDYTTIN JA MOOTT. TELINE  
 KYLARE OCH MOTORNS STATIV  
 COOLER AND ENGINE BED  
 KÜHLER UND MOTORRAHMEN  
 RADIATEUR ET CHASSIS DE MOTEUR



AGCO Corporation  
Parts List Report

Massey Ferguson (Europe)

MF 330 COMBINE

Page 130 - COOLER AND ENGINE BED

---

Item	Part Number	Qty	Part Description	Comments
1	S0493587	1	Radiator	
2	SR074672	1	Cover	
3	SR657113	1	Baffle	
4	SR657114	1	Protector	
5	S6210667	20	Screw	
6	S7400030	22	Disc	
7	S6593838	20	Nut	
8	S0629057	8	Clip	
9	S0620899	1	Hose	
10	SR659514	1	Tube	
11	S0639650	1	Joint	
12	S6220467	1	Screw	
13	S0620932	1	Hose	
14	SR659514	1	Tube	
15	S0620930	1	Hose	
16	SR634885	1	Protector	
17	S7414465	1	Lock Washer	
18	SR659350	1	Stand	
19	S6226767	4	Screw	
20	S7400033	8	Disc	
21	S6594148	4	Nut	
22	SR621609	1	Shaft	
23	SR622086	1	Pulley	
24	S0502338	2	Bearing	
25	SR622094	1	Bush	
26	S7414057	1	Disc	
27	S6393414	1	Screw	
28	SR659349	1	Flange	
29	S7414469	9	Lock Washer	
30	S6221667	4	Screw	
31	S6221267	6	Screw	
32	S7400032	2	Disc	
33	S6594038	2	Nut	
34	S6226567	2	Screw	
35	S7414471	2	Lock Washer	
36	S6506434	2	Nut	
37	S0415116	1	Spring	
38	SR605122	1	Extension	
39	SR596072	1	Nut	

---

---

40	SR661447	1	Arm	
41	SR066732	1	Bush	
42	SR621632	1	Tightener	
43	SR659031	1	Axle	
44	SR661446	1	Tightener	
45	SR620488	1	Frame	
46	SR657087	1	Stand	
47	S6233977	1	Screw	
48	SR621322	3	Shell	
49	S0633848	3	Damper	
50	SR622387	3	Holder	
51	S0400528	6	Damper	
52	SR605622	3	Disc	
53	S6594238	3	Nut	
54	S6226367	6	Screw	
55	S7400033	12	Disc	
56	S7414471	6	Lock Washer	
57	S6506434	6	Nut	
58	S6506634	1	Nut	
59	S6232577	1	Screw	
60	SR633362	1	Disc	
61	S0633847	1	Bush	
62	SR643205	1	Protector	For Germany only or any text in German only.
63	S6227577	6	Screw	
64	S7414471	6	Lock Washer	
65	S6594238	6	Nut	
66	S6234377	2	Screw	
67	S6231367	8	Screw	
68	S7400034	8	Washer	
69	S7414473	8	Lock Washer	
70	S6506634	8	Nut	
71	SR622294	1	Fuel Tank	
	SR644309	1	Fuel Tank	For Germany only or any text in German only.
72	S0494580	1	Plug	
73	S6221267	4	Screw	
74	S7400032	4	Disc	
75	S7414469	4	Lock Washer	
76	S6506234	4	Nut	
77	S0629037	4	Clip	
78	SR633347	1	Hose	
79	SR661461	1	Hose	
80	SR661211	1	Stand	
81	SR659593	2	Tube	
82	SR661462	1	Hose	
83	S6221467	2	Screw	
84	S7414469	2	Lock Washer	

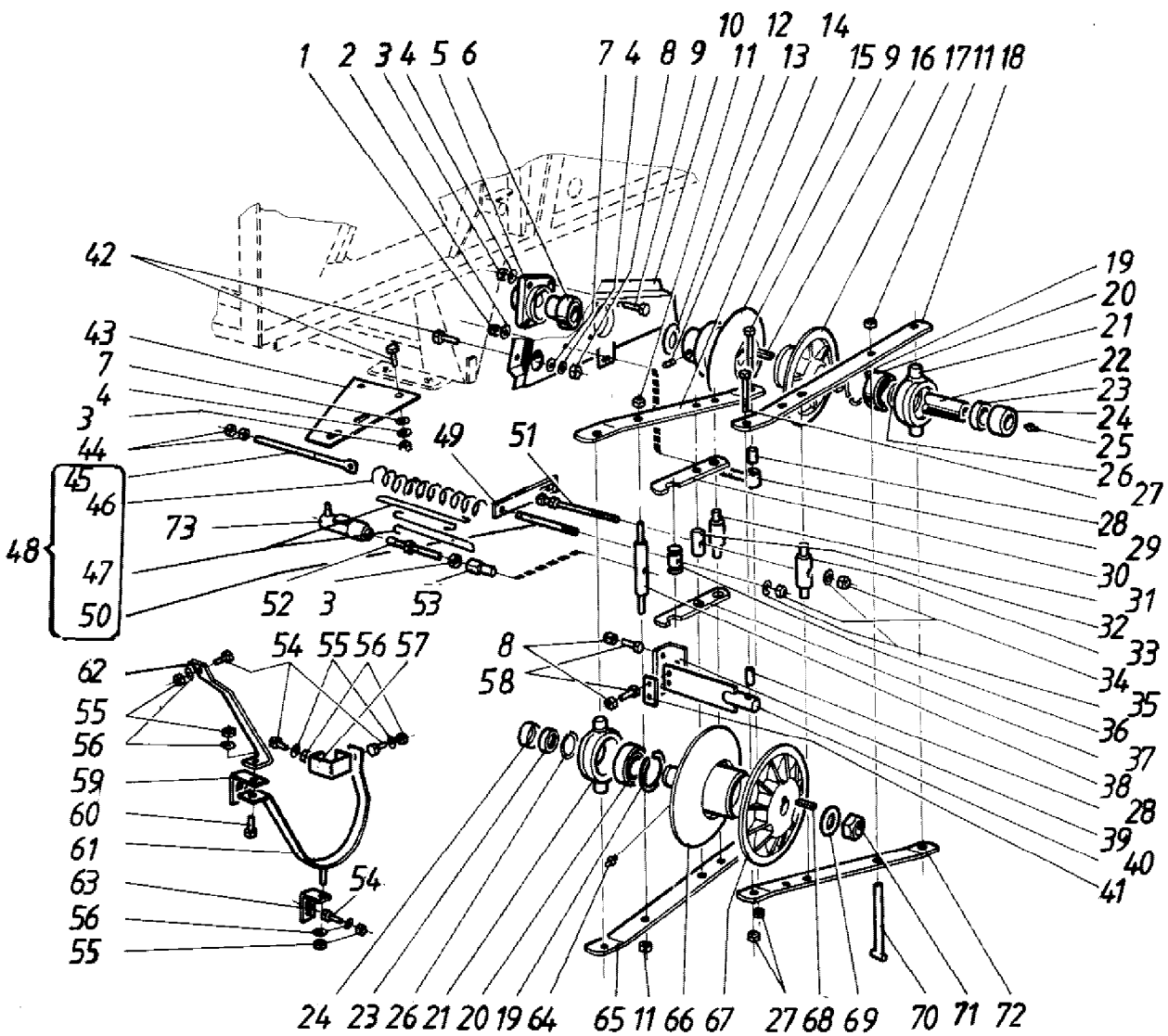
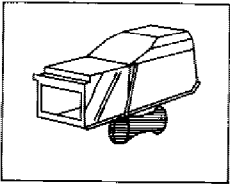
---

---

85	S6506234	2	Nut
86	SR621494	1	Pedestal
87	SR621499	1	Clip
88	SR633090	1	Cover
89	S6226567	2	Screw
90	S7400033	2	Disc
91	S6594148	2	Nut
92	S6226367	3	Screw
93	S7414471	3	Lock Washer
94	S6506434	3	Nut
95	S6220867	2	Screw
96	S7414469	2	Lock Washer
97	S7400033	4	Disc

---

AJOMUUTIN  
KÖRVARIA TOR  
VARIABLE SPEED DRIVE  
FAHRVARIATOR  
VARIATEUR D'AVANCEMENT



AGCO Corporation  
Parts List Report

Massey Ferguson (Europe)  
MF 330 COMBINE  
Page 134 - VARIABLE SPEED DRIVE

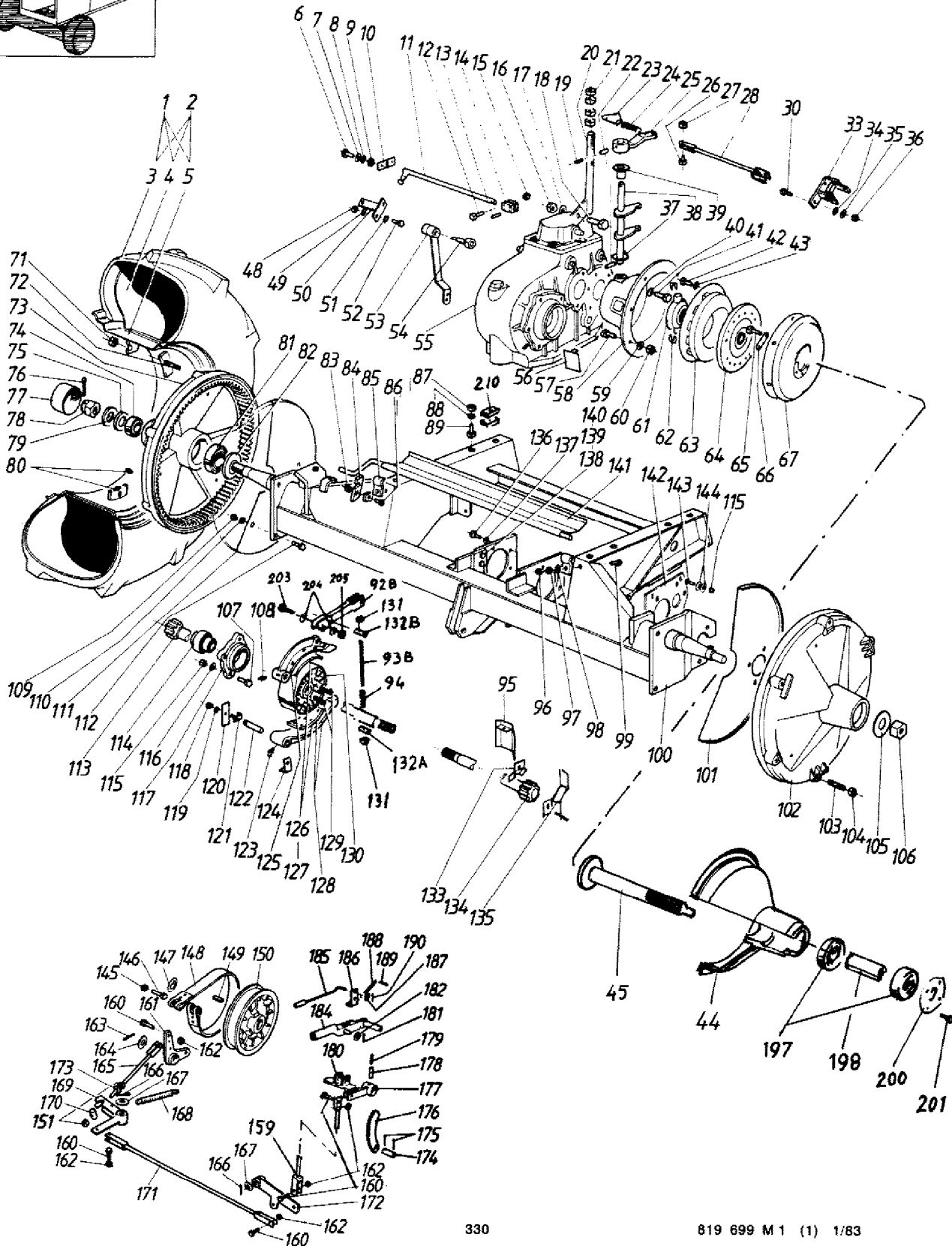
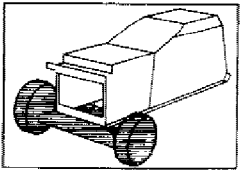
Item	Part Number	Qty	Part Description	Comments
1	S6594238	1	Nut	
2	S7400034	1	Washer	
3	S6506434	12	Nut	
4	S7414471	11	Lock Washer	
5	SR620974	1	Bearing Housing	
6	S0511228	1	Bearing Ball	
7	S7400033	12	Disc	
8	S6594148	9	Nut	
9	S6227767	5	Screw	
10	SR620407	1	Bearing Plate	
11	S6594438	3	Nut	
12	SR622409	1	Disc	
13	S7366545	1	Grub Screw	
14	SR647189	1	Arm	
15	SR620936	1	Pulley Half	
16	S7716125	1	Key Parallel	
17	SR620937	1	Pulley Half	
18	SR647189	1	Arm	
19	S7815263	2	Circlip	
20	S0502370	2	Bearing	
21	SR619765	2	Bearing Housing	
22	SR620747	1	Shaft	
23	S0639516	2	Seal	
24	SR633113	2	Protector	
25	S0252475	1	Nipple	
26	S7812043	2	Circlip	
27	S6594129	2	Nut	
28	SR620963	2	Bush	
29	SR620961	1	Holder	
30	SR643350	2	Lever	
31	SR643346	1	Trunnion	
32	SR643347	1	Trunnion	
33	SR643345	1	Trunnion	
34	S6594438	2	Nut	
35	SR637699	2	Washer	
36	SR643349	1	Roller	
37	SR643350	2	Lever	
38	SR643442	1	Trunnion	
39	SR643441	1	Stand	

---

40	SR643437	1	Stand
41	SR643440	1	Stand
42	S6226367	8	Screw
43	SR652384	1	Stand
44	S6506634	2	Nut
45	SR648004	1	Screw
46	S0415118	1	Spring
47	S9656809	2	Hook
48	SR656836	1	Spring
49	SR640990	1	Guide
50	SR643344	1	Screw
51	SR643348	1	Screw
52	SR643443	1	Screw
53	SR643444	1	Nut
54	S6221467	5	Screw
55	S6506234	7	Nut
56	S7400032	8	Disc
57	SR620789	1	Holder
58	S6226567	4	Screw
59	SR620788	1	Holder
60	S6221667	1	Screw
61	SR643504	1	Protector
62	SR646506	1	Protector
63	SR620790	1	Holder
64	S0252420	3	Nipple
65	SR647190	1	Arm
66	SR620939	1	Pulley Half
67	SR620938	1	Pulley Half
68	S7717156	1	Wedge
69	SR620139	1	Disc
70	SR633084	1	Screw
71	S6507434	1	Nut
72	SR647190	1	Arm
73	SR639198	1	Cylinder

---

ETUAKSELI  
FRAMAXEL  
FRONT AXLE  
VORDERACHSE  
ESSIEU AVANT



AGCO Corporation  
Parts List Report

Massey Ferguson (Europe)  
MF 330 COMBINE  
Page 136 - FRONT AXLE

Item	Part Number	Qty	Part Description	Comments
1	S0492581	1	Wheel	Right Hand
2	S0492580	1	Wheel	Left Hand
3	S0480557	2	Tyre	
4	S0480556	2	Hose	
5	S0499045	2	Rim	
6	S6221267	2	Screw	
7	S7412469	2	Spring Plate	
8	S7400032	4	Disc	
9	S6506234	2	Nut	
10	SR605428	1	Bearing	
11	SR621749	1	Rod	
12	S6222077	2	Screw	
13	S7814173	2	Roll Pin	
14	SR605427	1	Clip	
15	S6594029	2	Nut	
16	S6507034	1	Nut	
17	S7414477	1	Lock Washer	
18	S6241777	1	Screw	
19	S7814107	1	Roll Pin	
20	SR639808	1	Clip	
21	S6507034	4	Nut	
22	S7814177	2	Roll Pin	
23	SR621935	1	Holder	
24	S0415179	1	Tension Spring	
25	SR620944	1	Lever	
26	S6221877	1	Screw	
27	S6594038	1	Nut	
28	SR621925	1	Tie Rod	
30	S6221267	2	Screw	
33	SR621928	1	Lever	
34	S7400032	2	Disc	
35	S7414469	2	Lock Washer	
36	S6506234	2	Nut	
37	S0639522	1	Joint	
38	SR605284	1	Fork	
39	SR605789	1	Bush	
40	S7412469	8	Spring Plate	
41	S6221467	8	Screw	
42	S6221267	12	Screw	

---

43	S7412469	12	Spring Plate
44	SR652317	1	Housing
45	SR620137	1	Shaft
46	SR621934	1	Bush
47	S7815037	1	Circlip
48	S6506234	2	Nut
49	S7412469	2	Spring Plate
50	SR621751	1	Bearing
51	S7400032	4	Disc
52	S6221267	2	Screw
53	SR609504	1	Lever
54	SR609509	1	Driving
55	S0499016	1	Transmission
56	SR602516	1	Cover
57	S6221877	8	Screw
58	SR602510	1	Housing
59	S7412469	8	Spring Plate
60	S6506234	8	Nut
61	S0480415	1	Bearing
62	S0480418	2	Spring
63	S0480558	1	Coupling
64	S0480559	1	Clutch Disc
65	S6226167	6	Screw
66	SR602514	3	Tab Washer
67	SR602512	1	Flange
69	S7815979	1	Ring
70	S7815258	2	Circlip
71	S6596841	6	Nut
72	S6945572	6	Stud
73	SR602465	1	Drive Gear
74	S0480551	1	Bearing Ball
75	S7400042	2	Disc
76	S7812258	1	Cotter
77	SR592087	1	Protector
78	S6537833	1	Nut
79	S0562030	1	Disc
80	S0252420	4	Nipple
81	S0480550	1	Bearing Ball
82	SR592090	1	Disc
83	S6594038	1	Nut
84	SR621299	1	Latch
85	SR620399	2	Clip
86	S6221467	1	Screw
87	S6506634	4	Nut
88	S7414473	4	Lock Washer
89	S6231167	4	Screw

---

---

92	SR659217	2	Lever	
93	SR659220	2	Arm	
94	S0415174	2	Spring	
95	SR622412	1	Protector	
96	S6506234	1	Nut	
97	S7414469	1	Lock Washer	
98	S7400032	1	Disc	
99	S6221267	1	Screw	
100	SR620260	1	Front Axle	
	SR644528	1	Front Axle	For Germany only or any text in German only.
101	SR620285	1	Protector	Left Hand
102	SR619219	1	Drive Gear	
103	S6947572	6	Stud	Left Hand
104	S6596941	6	Nut	Left Hand
105	SR615967	1	Disc	
106	SR615966	1	Nut	
107	S6226997	3	Screw	
108	S0252445	1	Nipple	
109	S6594038	1	Nut	
110	S7412469	1	Spring Plate	
111	SR620286	1	Protector	Right Hand
112	S6221267	1	Screw	
113	SR638680	1	Drive Shaft	Right Hand
114	S0511340	2	Bearing	
115	S6594148	7	Nut	
116	S7414471	3	Lock Washer	
117	SR620974	2	Bearing Housing	
118	S6506034	1	Nut	
119	S7414465	1	Lock Washer	
120	SR066561	1	Tab Washer	
121	SR622088	1	Screw	
122	SR066560	2	Pin	
123	S0252445	1	Nipple	
124	SR066562	2	Stand	
125	SR069985	2	Brake Shoe	
126	S0609990	4	Brake Band	
127	S7649004	24	Rivet	
128	SR069986	2	Brake Shoe	
129	S7712113	4	Wedge	
130	SR620240	2	Brake Drum	
131	S6594038	4	Nut	
132A	SR066784	2	Adjusting Nut	
132B	SR066784	2	Adjusting Nut	
133	SR580100	2	Stand	
134	SR638679	1	Drive Shaft	Left Hand
135	SR657126	1	Stand	Right Hand

---

---

136	S6226767	10	Screw	
137	S7414471	10	Lock Washer	
138	S6231367	4	Screw	
139	S7414473	4	Lock Washer	
140	S6506634	4	Nut	
141	SR621907	1	Cover	
142	SR655122	1	Sheet Metal	
143	S6226567	4	Screw	
144	S7400033	8	Disc	
145	S6594238	2	Nut	For Germany only or any text in German only.
146	S6232570	2	Screw	For Germany only or any text in German only.
147	S7412984	1	Disc	For Germany only or any text in German only.
148	SR609511	1	Brake Band	For Germany only or any text in German only.
149	S7717156	1	Wedge	For Germany only or any text in German only.
150	SR605977	1	Brake Drum	For Germany only or any text in German only.
151	S16506234	4	Nut	For Germany only or any text in German only.
159	SR643354	1	Arm	For Germany only or any text in German only.
160	S6221467	4	Screw	For Germany only or any text in German only.
161	SR609510	1	Lever	For Germany only or any text in German only.
162	S6594038	5	Nut	For Germany only or any text in German only.
163	S7812160	1	Cotter	For Germany only or any text in German only.
164	S7400038	1	Disc	For Germany only or any text in German only.
165	SR641479	1	Arm	For Germany only or any text in German only.
166	S7812120	2	Cotter	For Germany only or any text in German only.
167	S7400035	2	Disc	For Germany only or any text in German only.
168	S0415179	1	Tension Spring	For Germany only or any text in German only.
169	SR641481	1	Lever	For Germany only or any text in German only.
170	SR066784	1	Adjusting Nut	For Germany only or any text in German only.
171	SR641490	1	Arm	For Germany only or any text in German only.
172	SR641494	1	Lever	For Germany only or any text in German only.
173	S7414057	1	Disc	For Germany only or any text in German only.
174	SR643357	1	Shaft	For Germany only or any text in German only.
175	S7812160	2	Cotter	For Germany only or any text in German only.
176	SR643363	1	Segment	For Germany only or any text in German only.
177	SR643315	1	Lever	For Germany only or any text in German only.
178	S7814203	1	Roll Pin	For Germany only or any text in German only.
179	S7814145	1	Roll Pin	For Germany only or any text in German only.
180	SR634304	1	Bearing	For Germany only or any text in German only.
181	S7812116	1	Cotter	For Germany only or any text in German only.
182	S7400032	1	Disc	For Germany only or any text in German only.
184	SR643308	1	Lever	For Germany only or any text in German only.
185	SR643313	1	Lever	For Germany only or any text in German only.
186	SR643312	1	Pawl	For Germany only or any text in German only.
187	S7400030	1	Disc	For Germany only or any text in German only.
188	S0415109	1	Spring	For Germany only or any text in German only.
189	S7812152	1	Cotter	For Germany only or any text in German only.

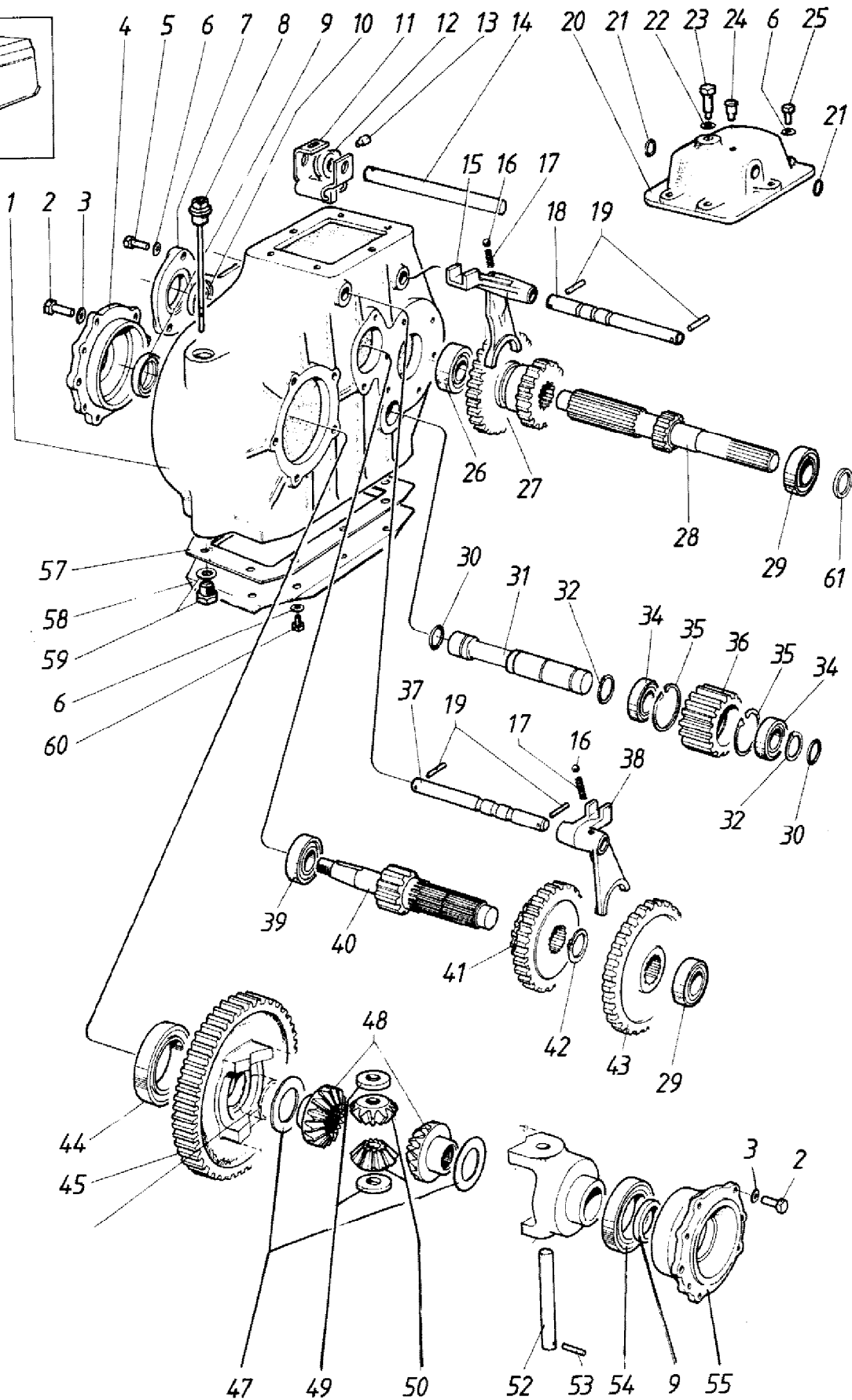
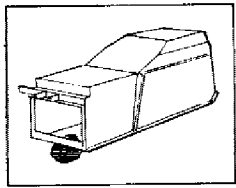
---

---

190	S7812076	1	Cotter	For Germany only or any text in German only.
197	S0502392	2	Bearing	For Germany only or any text in German only.
198	SR655120	1	Bush	For Germany only or any text in German only.
200	SR656801	1	Flange	For Germany only or any text in German only.
201	S6211067	4	Screw	For Germany only or any text in German only.
203	S6227377	2	Screw	For Germany only or any text in German only.
204	S7400033	4	Disc	For Germany only or any text in German only.
205	S6594148	2	Nut	For Germany only or any text in German only.
210	SR659541	8	Disc	For Germany only or any text in German only.

---

VAIHDELAATIKKO  
VÄXELLÅDA  
GEAR BOX  
SCHALTGETRIEBE  
BOITE DE VITESSES



AGCO Corporation  
Parts List Report

Massey Ferguson (Europe)  
MF 330 COMBINE  
Page 142 - GEAR BOX

---

Item	Part Number	Qty	Part Description	Comments
	S0499016	1	Transmission	
1	S0480700	1	Housing	
2	S6226767	10	Screw	
3	S7414471	10	Lock Washer	
4	S0480761	1	Cover	
5	S6221467	5	Screw	
6	S7414469	21	Lock Washer	
7	S0480706	1	Cover	
8	S0480707	1	Plug	
9	S0480708	2	Shaft Seal	
10	S0480709	1	Shaft Seal	
11	S0480710	1	Guide Bush	
12	S0480711	1	Lever	
13	S0480712	1	Screw	
14	S0480713	1	Rod	
15	S0480714	1	Shift Fork	
16	S0480715	2	Ball	
17	S0480716	2	Spring	
18	S0480717	1	Shaft	
19	S0480718	5	Peg	
20	S0480719	1	Cover	
21	S0480720	2	O Ring	
22	S0480721	1	Spring Plate	
23	S0480763	1	Screw	
24	S0480723	1	Breather	
25	S0480724	6	Screw	
26	S0480725	1	Bearing	
27	S0481200	1	Gear	
28	S0480727	1	Drive Shaft	
29	S0480728	2	Bearing	
30	S0480729	2	O Ring	
31	S0481201	1	Shaft	
32	S0480731	2	Ring	
34	S0480733	2	Bearing	
35	S0480734	2	Ring	
36	S0480735	1	Gear	
37	S0480736	1	Shaft	
38	S0480737	1	Shift Fork	
39	S0480738	1	Bearing Ball	

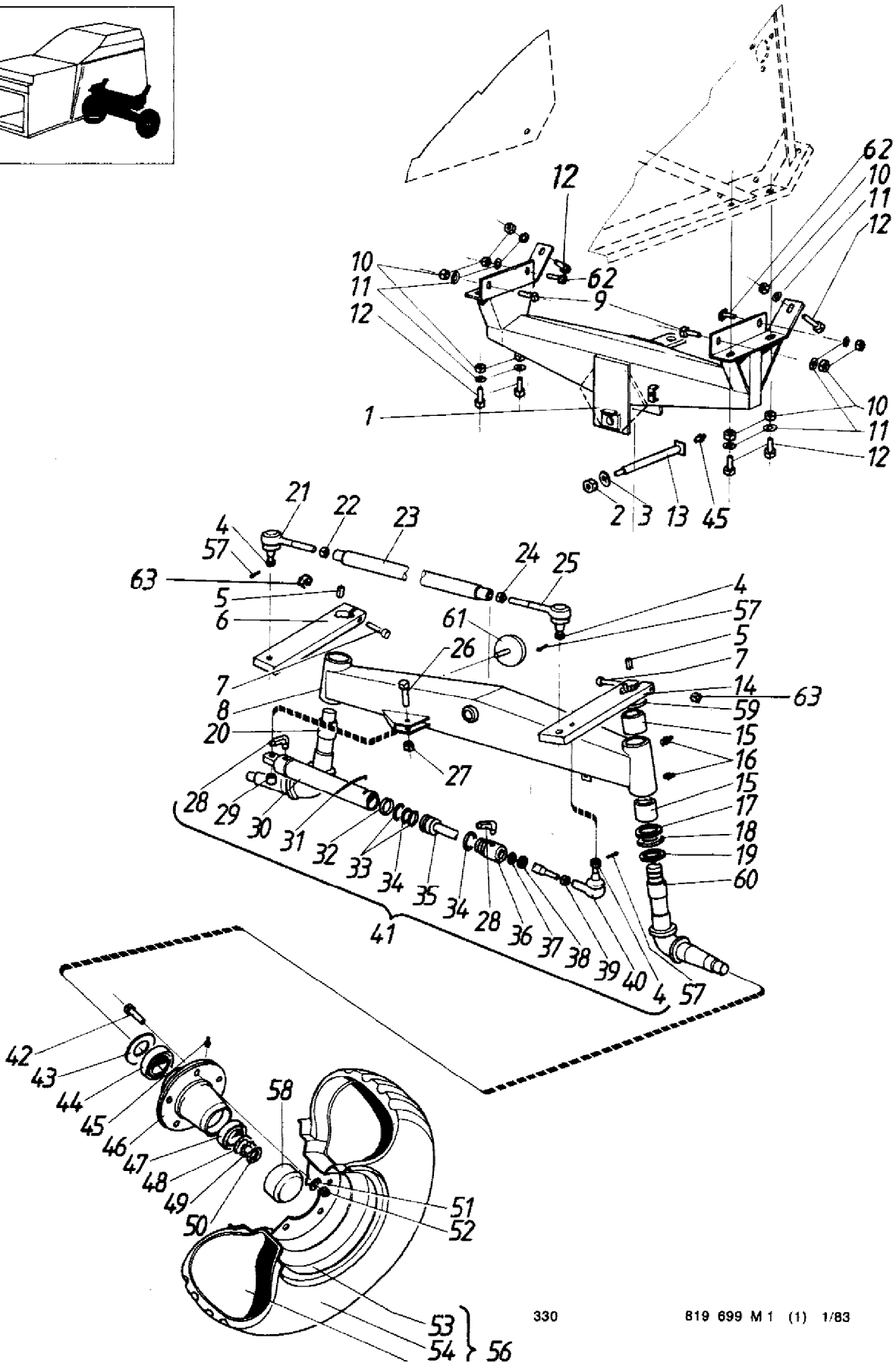
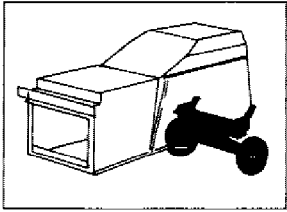
---

---

40	S0480739	1	Drive Shaft
41	S0481202	1	Gear
42	S0480741	1	Ring
43	S0480742	1	Gear
44	S0480753	1	Bearing
45	S0480762	1	Gear
47	S0480746	2	Thrust Washer
48	S0480747	2	Bearing
49	S0480748	2	Disc
50	S0480749	2	Bevel Gear
52	S0480751	1	Pin
53	S0480752	1	Roll Pin
54	S0480753	1	Bearing
55	S0480754	1	Cover
57	S0480756	1	Joint
58	S0480757	1	Cover
59	S0480758	1	Plug
60	S6220867	10	Screw
61	S0639693	1	Joint

---

TAKAPYÖRÄT  
 BAKHJUL  
 REAL WHEELS  
 HINTERRÄDER  
 ROUES ARRIERES



AGCO Corporation  
Parts List Report

Massey Ferguson (Europe)

MF 330 COMBINE

Page 144 - REAR WHEELS-4 WHEEL DRIVE

Item	Part Number	Qty	Part Description	Comments
1	SR621153	1	Carrier	
2	S6594538	1	Nut	
3	SR638576	1	Disc	
4	S6536735	3	Nut	
5	SR638583	2	Wedge	
6	SR643418	1	Steering Lever	Right Hand
7	S6232973	2	Screw	
8	SR638577	1	Housing	
	SR643190	1	Rear Axle	For Germany only or any text in German only.
9	S6770244	2	Screw	
10	S6506634	10	Nut	
11	S7400034	10	Washer	
12	S6231367	6	Screw	
13	SR620392	1	Pin	
14	SR643417	1	Steering Lever	Left Hand
15	SR581450	4	Bearing Thrust	
16	S0252475	4	Nipple	
17	S0554122	2	Disc	
18	S0554119	2	Bearing Needle	
19	SR628324	2	Disc	
20	SR643416	1	Steering Knuckle	
21	S0497731	1	Toggle	Right Hand
22	S6521731	1	Nut	Right Hand
23	SR619610	1	Steering Tie Rod	
24	S6521831	1	Nut	Left Hand
25	S0497730	1	Knuckle	Left Hand
26	S6232177	1	Screw	
27	S6594238	1	Nut	
28	S0629350	2	Nipple	
29	S0633818	1	Bush	
30	SR622169	2	Cylinder	
31	SR621152	1	Wire	
32	S0634920	1	Ring	
33	S7815987	2	Backup Ring	
34	S0633240	2	O Ring	
35	SR622173	1	Piston	
36	SR622172	1	Guide Bush	
37	S0633947	1	Seal	
38	S0633938	1	Stripper	

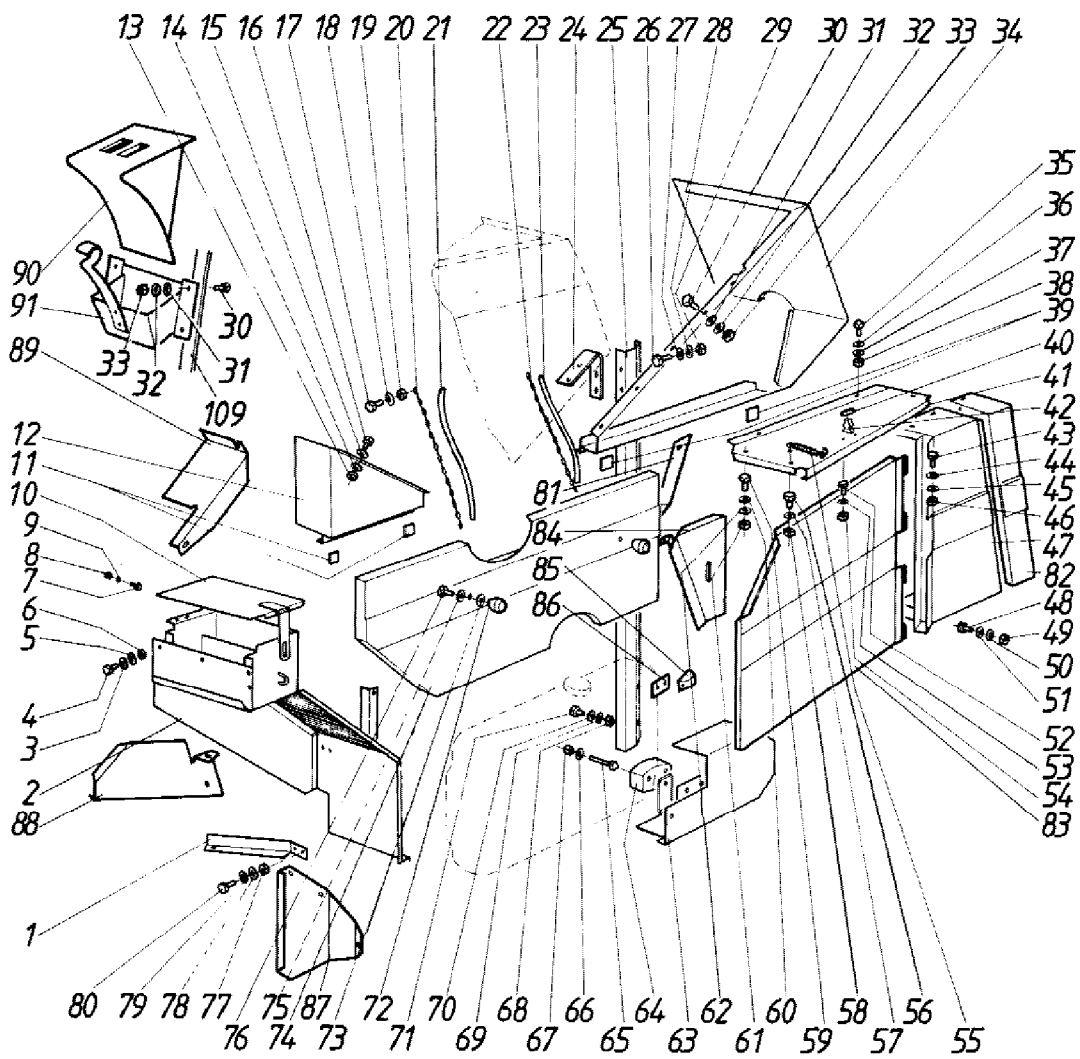
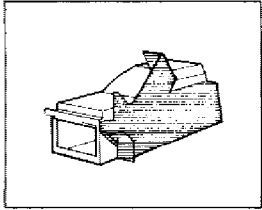
---

39	S6549462	1	Nut
40	S0497733	1	Knuckle
41	SR622168	1	Steering Cyl
42	S6241560	10	Screw
43	SR636064	2	Washer
44	S0480565	2	Bearing
45	S0252420	3	Nipple
46	SR633354	2	Hub
47	S0480564	2	Bearing
48	S0562027	2	Disc
49	S0562006	2	Disc
50	S0563006	2	Nut
51	S7400036	10	Disc
52	S6594438	10	Nut
53	S0480561	2	Rim
54	S0480554	2	Tyre
55	S0480553	2	Hose
56	S0492556	2	Wheel
57	S7812116	3	Cotter
58	SR638582	2	Protector
60	SR643415	1	Steering Knuckle
61	S8020235	1	Reflector
62	SR643526	2	Screw
63	S6594242	2	Nut

---

For Germany only or any text in German only.

VASEMMAT SUOJAT  
 SKYDD, VÄNSTER  
 PROTECTIONS, LEFT  
 VERKLEIDUNG, LINKS  
 GARANTS GAUCHES



AGCO Corporation  
Parts List Report

Massey Ferguson (Europe)  
MF 330 COMBINE  
Page 146 - PROTECTIONS, LEFT

---

Item	Part Number	Qty	Part Description	Comments
1	SR633112	1	Holder	
2	SR621726	1	Fender	
3	S7400032	3	Disc	
4	S6220867	4	Screw	
5	S7414469	4	Lock Washer	
6	S6506234	4	Nut	
7	S6162914	4	Screw	
8	S6505604	4	Nut	
9	S7414463	4	Lock Washer	
10	SR621739	1	Cover	
11	SR633117	4	Insulator	
12	SR622217	1	Protector	
13	S6506234	4	Nut	
14	S7414469	4	Lock Washer	
15	S7400032	8	Disc	
16	S6220867	4	Screw	
17	S6211067	4	Screw	
18	S7400030	4	Disc	
19	S6593838	4	Nut	
20	SR633105	1	Stand	
21	SR633107	1	Hose	
22	SR633106	1	Stand	
23	SR633108	1	Hose	
24	SR637140	1	Holder	
25	SR622224	1	Carrier	
26	S6211467	4	Screw	
27	S7400032	8	Disc	
28	S7414469	4	Lock Washer	
29	S6506234	4	Nut	
30	S6211067	11	Screw	
31	S7400030	16	Disc	
32	S7414469	11	Lock Washer	
33	S6506034	11	Nut	
34	SR637134	1	Protector	
35	S6210667	3	Screw	
36	S7400030	6	Disc	
37	S7414465	3	Lock Washer	
38	S6506034	3	Nut	
39	SR633117	4	Insulator	

---

---

40	SR633316	1	Holder	
41	SR622226	1	Protector	
42	S0871091	1	Holder	
43	S6220867	2	Screw	
44	S7400032	4	Disc	
45	S7414469	2	Lock Washer	
46	S6506234	2	Nut	
47	SR621709	1	Protector	
48	S6220867	2	Screw	
49	S6506234	2	Nut	
50	S7414469	2	Lock Washer	
51	S7400032	4	Disc	
52	S6162914	2	Screw	
53	S7414463	2	Lock Washer	
54	S6505604	2	Nut	
55	SR079318	1	Tension Spring	
56	S6211067	1	Screw	
57	S7400030	1	Disc	
58	S6593838	1	Nut	
59	S6210667	5	Screw	
60	S7400030	10	Disc	
61	S6593838	5	Nut	
62	S7414465	5	Lock Washer	
63	SR633120	1	Protector	
64	SR593788	1	Tensioner	
65	S6222677	2	Screw	
66	S7414057	2	Disc	
67	S6594038	2	Nut	
68	S6506234	2	Nut	
69	S7414469	2	Lock Washer	
70	S7400032	4	Disc	
71	S6220867	2	Screw	
72	S0879932	2	Knob	
73	S7400033	2	Disc	
74	SR622200	1	Guard	
	SR643986	1	Protector	For Germany only or any text in German only.
	S8020234	1	Reflector	For Germany only or any text in German only.
75	S7414471	2	Lock Washer	
76	S6226367	2	Screw	
77	S6506234	2	Nut	
78	S7414469	2	Lock Washer	
79	S7400032	2	Disc	
80	S6220867	2	Screw	
81	SR642660	1	Stand	
82	SR645216	1	Protector	
83	SR641701	1	Protector	For Germany only or any text in German only.

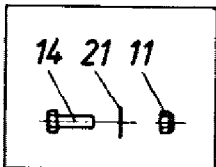
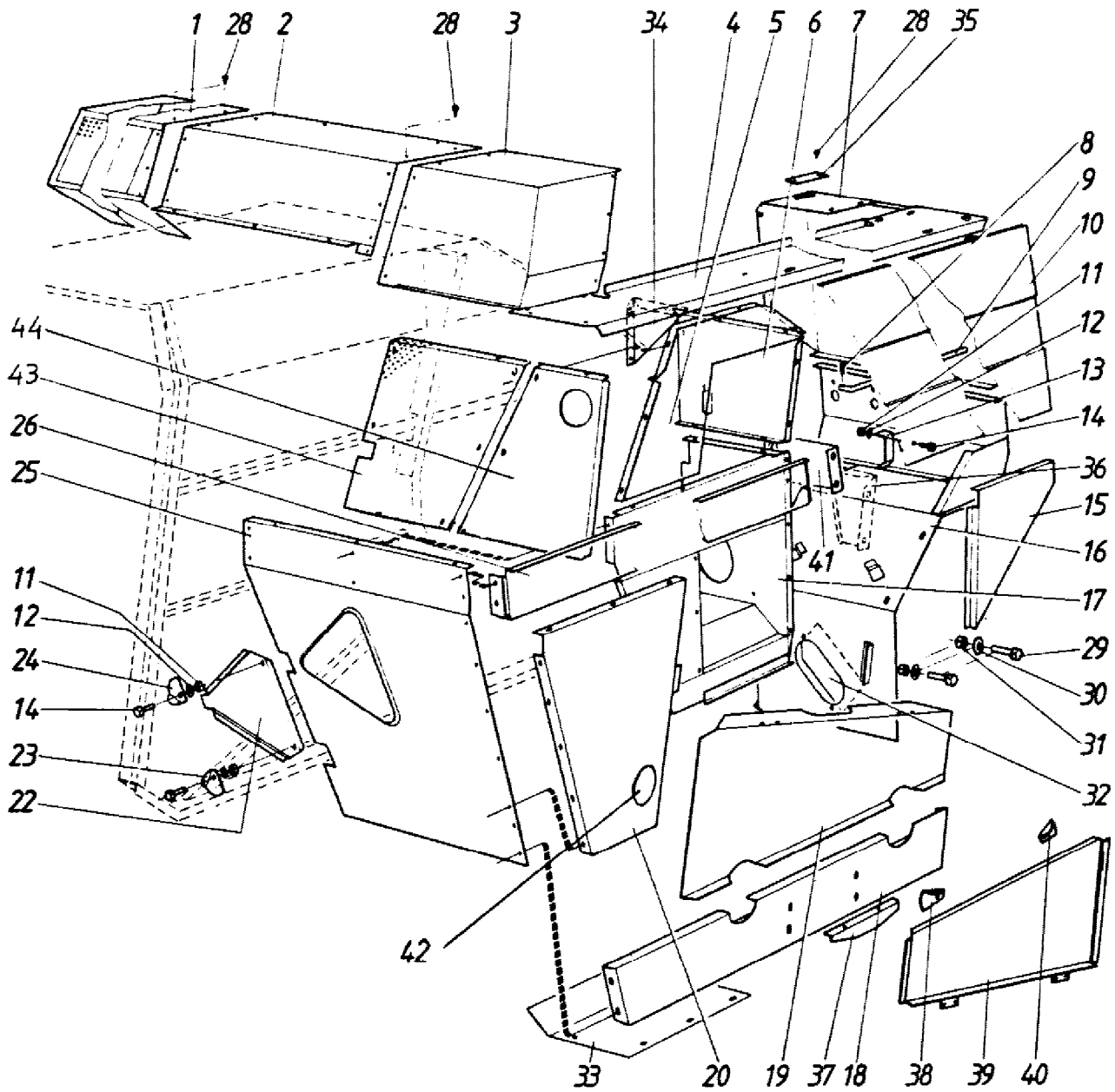
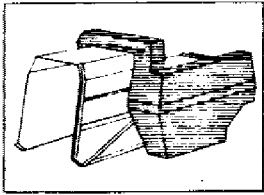
---

---

84	SR643157	1	Protector	For Germany only or any text in German only.
85	SR622308	1	Clamping Device	For Germany only or any text in German only.
86	SR641706	1	Stand	For Germany only or any text in German only.
87	SR641711	1	Protector	For Germany only or any text in German only.
88	SR643155	1	Protector	For Germany only or any text in German only.
89	SR643204	1	Protector	For Germany only or any text in German only.
90	S0493690	1	Chock	For Germany only or any text in German only.
91	S0493691	1	Holder	For Germany only or any text in German only.
109	SR643508	1	Stand	

---

OIKEAT SUOJAT  
SKYDD, HÖGER  
PROTECTIONS, RIGHT  
VERKLEIDUNG, RECHTS  
GARANTS DROITS



AGCO Corporation  
Parts List Report

Massey Ferguson (Europe)  
MF 330 COMBINE  
Page 150 - PROTECTIONS, RIGHT

Item	Part Number	Qty	Part Description	Comments
1	SR622471	1	Filter	Left Hand
2	SR633133	1	Filter	
3	SR622231	1	Filter	Right Hand
4	SR621592	1	Roof	
5	SR622477	1	Sheet Metal	
6	SR621584	1	Partition	
7	SR621589	1	Partition	
9	SR652119	1	Stand	
10	SR621594	1	Cladding	
11	S6593838	110	Nut	
13	SR622266	2	Latch	
14	S6210667	105	Screw	
15	SR621573	1	Protector	Right Hand
16	SR621570	1	Fender	Right Hand
17	SR622248	1	Stand	
18	SR622243	1	Cladding	
19	SR622239	1	Plate	
20	SR622236	1	Protector	
21	S7400030	211	Disc	
22	SR622307	1	Flap	
23	SR622309	1	Clamping Device	
24	SR622308	1	Clamping Device	
25	SR659524	1	Sheet Metal	
26	SR621576	1	Stand	
28	S7266308	10	Screw	
29	S6225767	2	Screw	
30	S7400034	2	Washer	
31	S6594148	2	Nut	
32	SR636675	1	Cover	
33	SR632867	1	Sheet Metal	
34	SR638602	1	Stand	
35	SR643285	1	Protector	
36	SR641710	1	Protector	For Germany only or any text in German only.
37	SR644515	1	Protector	For Germany only or any text in German only.
38	SR622309	1	Clamping Device	For Germany only or any text in German only.
39	SR643213	1	Protector	For Germany only or any text in German only.
40	SR622308	1	Clamping Device	For Germany only or any text in German only.
41	SR621601	1	Sheet Metal	
42	S8020234	1	Reflector	For Germany only or any text in German only.

---

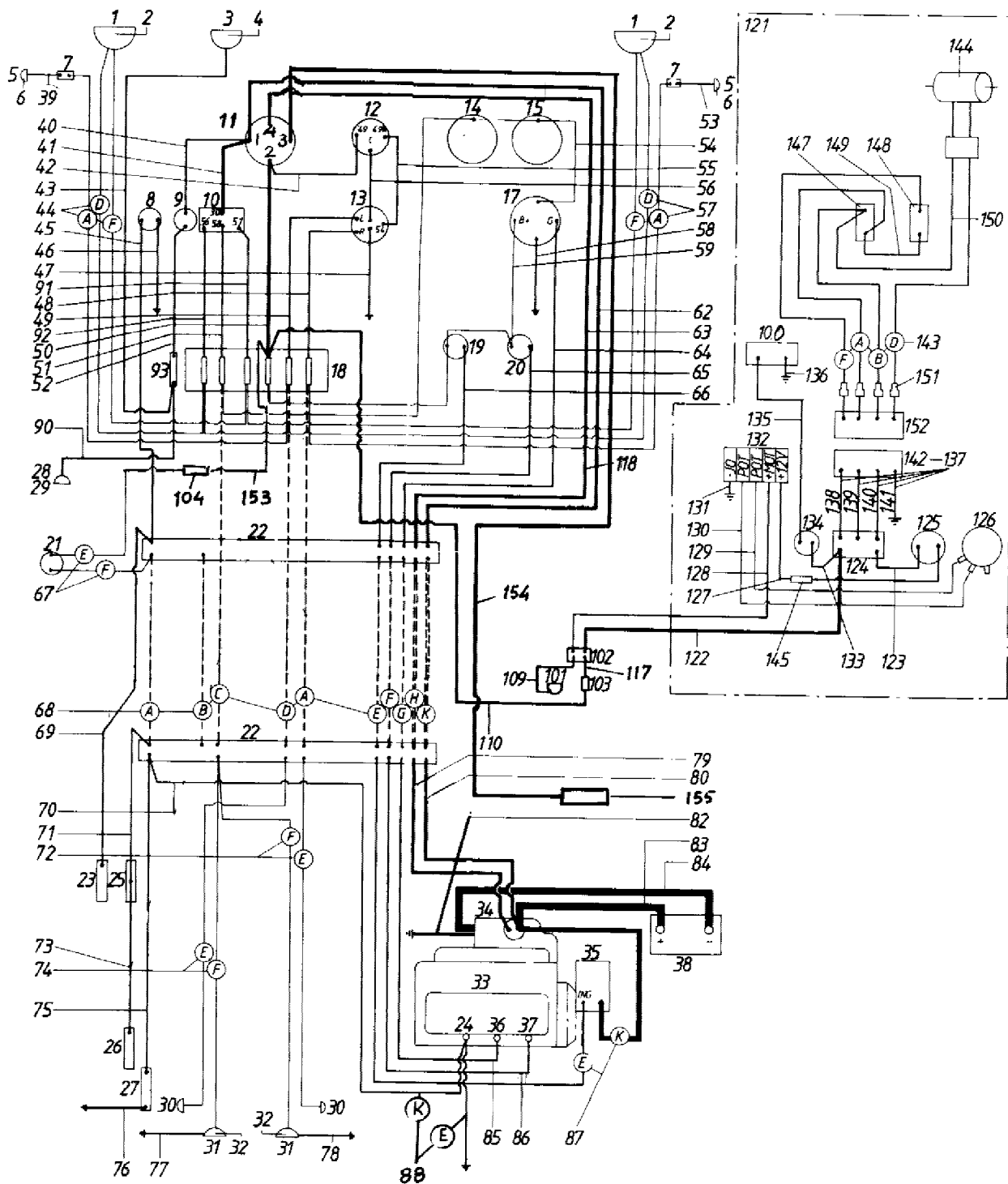
---

43	SR659525	1	Protector
44	SR659526	1	Protector

---

---

KYTKENTÄKAAVIO  
 KOPPLINGSSCHEMA  
 WIRING DIAGRAM  
 SCHALTSCHEMA  
 SCHEMA DE CONNEXIONS



- 50 mm<sup>2</sup>
- 4 mm<sup>2</sup>
- 2.5 mm<sup>2</sup>
- - -** 1.5 mm<sup>2</sup>
- · ·** 0.75 mm<sup>2</sup>

AGCO Corporation  
Parts List Report

Massey Ferguson (Europe)  
MF 330 COMBINE  
Page 152 - WIRING DIAGRAM

Item	Part Number	Qty	Part Description	Comments
1	S8080020	2	Lamp	
2	S8035082	2	Bulb	
3	S8080021	1	Work Light	
4	S8035083	1	Bulb	
5	S8080535	2	Blinker Light	
6	S8035127	2	Bulb	
7	S8033638	2	Connectors	
8A	S8094925	1	Switch	
9	S8033652	1	Light Switch	
10	S8033653	1	Light Switch	
11	S8080552	1	Starting Switch	
12	S8063226	1	Blinker Unit	
13	S8033647	1	Blinker Switch	
	S8035107	1	Bulb	
14	S0296008	1	Tachometer	
	S8035107	1	Bulb	
15	S0296040	1	Rev Indicator	
	S8035107	1	Bulb	
17	S0480653	1	Thermometer	
	S8035107	1	Bulb	
18	S8063072	1	Fuse Box	
	S8066650	6	Fuse	
19	S8070075	1	Bulb	
	S8035091	1	Bulb	
20	S8070074	1	Bulb	
	S8035091	1	Bulb	
21	S8094918	1	Horn	
22	S8033638	2	Connectors	
23			Auger	
24	S0295465	1	Sender	
25		1	Auger	
26		1	Auger	
27	S8033649	1	Switch	
28	S8080035	1	Light	
29	S8035127	1	Bulb	
30	S8035127	2	Bulb	
31	S8070025	2	Rear Lamp	
32	S8035110	2	Bulb	
33			Engine	

---

34			Statermotor	
35			Alternator	
36		1	Indicator	
37	S0494845	1	Sender	
38	S8000730	1	Battery	
	SR620031	1	Cable	
39	SR633262	1	Cable	RED
40	SR633244	1	Cable	GREY
41	SR633278	1	Cable	WHITE
42	SR633261	1	Cable	RED
43	SR633260	1	Cable	RED
44	SR641677	1	Cable	A - YELLOW D - BROWN F - BLUE
45	SR633236	1	Cable	WHITE
46	SR633264	1	Cable	BLACK
47	SR633264	1	Cable	BLACK
48	SR633238	1	Cable	YELLOW
49	SR633239	1	Cable	RED
50	SR633279	1	Cable	RED
51	SR641682		Cable	WHITE
52	SR633237	1	Cable	GREY
53	SR633262	1	Cable	RED
54	SR633230	1	Cable	BLUE
55	SR633249	1	Cable	BLUE
56	SR633250	1	Cable	YELLOW
57	SR641678	1	Cable	A - YELLOW D - BROWN F - BLUE
58	SR633266	1	Cable	BLACK
59	SR633229	1	Cable	BROWN
62	SR633280	1	Cable	GREY
63	SR655189	1	Cable	BLACK
64	SR633245	1	Cable	GREY
65	SR633247	1	Cable	BLUE
66	SR633267	1	Cable	BLACK
67	SR633219	1	Cable	E - BLACK F - BLUE
68	SR633209	1	Cable	A - YELLOW B - GREEN C - WHITE D - BROWN E - BLACK F - BLUE G - GREY H - VIOLET

---

---

				K - RED
69	SR634798	1	Cable	WHITE
70	SR661390	1	Cable	RED
71	SR638228	1	Cable	YELLOW
72	SR633216	1	Cable	E - BLACK
				F - BLUE
73	SR638229	1	Cable	YELLOW
74	SR637143		Cable	E - BLACK
		1		F - BLUE
75	SR637144	1	Cable	YELLOW
76	SR076758	1	Cable	WHITE
77	SR633263	1	Cable	RED
78	SR633263	1	Cable	RED
79	SR633282	1	Cable	BLACK
80	SR633281	1	Cable	GREY
82	SR633284	1	Cable	GREY
83	SR661150	1	Cable	BLUE
84	SR633211	1	Cable	BLUE
85	SR633243	1	Cable	GREY
86	SR661162	1	Cable	BLUE
87	SR661152	1	Cable	E - BLACK
		1		K - RED
88	SR661389	1	Cable	K - RED
90	SR638638	1	Cable	E - BLACK
91	SR641681	1	Cable	BLUE
92	SR641683	1	Cable	GREY
93	S8063080	1	Fuse Box	
	S8066650	1	Fuse	
100	S0498896	1	Engine	
101	S0481428	1	Pump	
102	S8033638	1	Connectors	
103	S8063080	1	Fuse Box	
	S8066660	1	Fuse	
104	S8063080	1	Fuse Box	
	S8066650	1	Fuse	
117	SR642449	1	Cable	WHITE
118	SR661482	1	Cable	BLACK
121		1	Air Conditioner	
122	SR652486	1	Cable	WHITE
123	SR652467	1	Cable	GREY
124	S0481172	1	Switch	
125	S8033652	1	Light Switch	
126	S0481171	1	Switch	
127	SR652480	1	Cable	GREY
128	SR652488	1	Cable	RED
129		1	Cable	BLUE

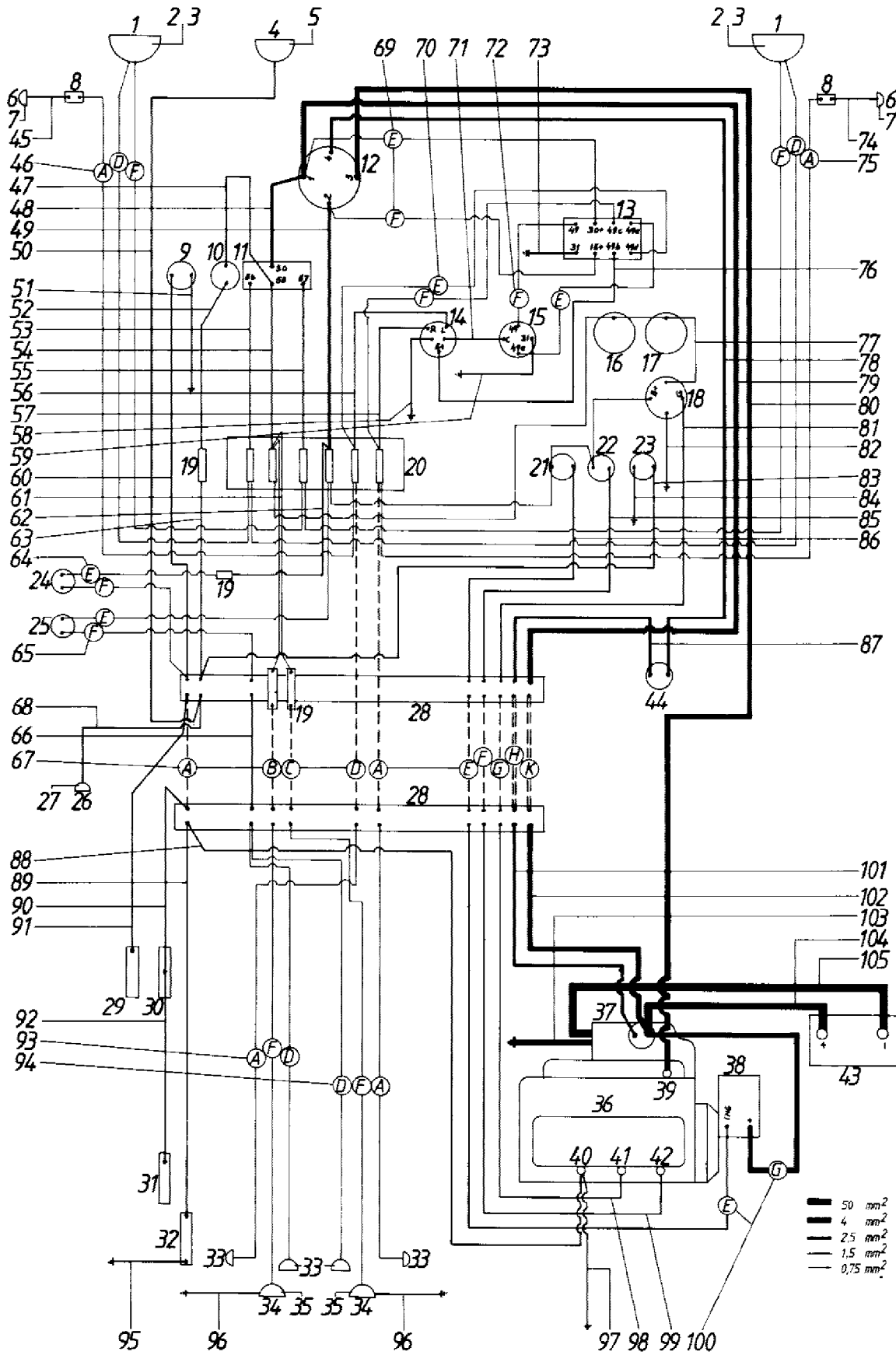
---

---

130		1	Cable	WHITE
131	SR652469	1	Cable	BLACK
132	S0481170	1	Wiring Diagram	
133	SR652467	1	Cable	GREY
134	S8033652	1	Light Switch	
135	SR652471	1	Cable	BLUE
136	SR652470	1	Cable	BLACK
137	SR652463	1	Cable	
138	SR652464	1	Cable	BLUE
139	SR652466	1	Cable	YELLOW
140	SR652465	1	Cable	RED
141	SR652468	1	Cable	BLACK
142	S8020120	1	Clip	
143	S0481160	1	Cable	
				F - BLUE
				A - YELLOW
				B - GREEN
				D - GREEN
144	S0481151	1	Blower	
145	SR661206	1	Fuse Box	
	S8066661	1	Fuse	
147	S0481161	1	Resistor	
148	S0481163	1	Resistor	
149	S0481164	1	Cable	
150	S0481162	1	Cable	
151	S8030580	4	Clip	
152	S8030121	1	Clip	
153	SR633237	1	Cable	GREY
154	SR661484	1	Cable	BLACK
155	S2666108	1	Heater	

---

KYTKENTÄKAAVIO, SAKSA  
 KOPPLINGSSCHEMA, TYSKLAND  
 WIRING DIAGRAM, GERMANY  
 SCHALTSCHEMA, DEUTSCHLAND  
 SCHEMA DES CONNEXIONS, ALLEMAGNE



AGCO Corporation  
Parts List Report

Massey Ferguson (Europe)  
MF 330 COMBINE  
Page 158 - WIRING DIAGRAM

Item	Part Number	Qty	Part Description	Comments
				For Germany only or any text in German only.
1	S8080022	2	Lamp	For Germany only or any text in German only.
2	S8035082	2	Bulb	
3	S8035091	2	Bulb	For Germany only or any text in German only.
4	S8080021	1	Work Light	
5	S8035083	1	Bulb	
6	S8080535	2	Blinker Light	
7	S8035127	2	Bulb	
8	S8033638	2	Connectors	
9	S8094925	1	Switch	
10	S8033652	1	Light Switch	
11	S8033653	1	Light Switch	
12	S8080552	1	Starting Switch	
13	S8080540	1	Blinker Unit	
14	S8033647	1	Blinker Switch	
	S8035107	1	Bulb	
15	S8063225	1	Blinker Unit	
16	S0296008	1	Tachometer	
	S8035107	1	Bulb	
17	S0296040	1	Rev Indicator	
	S8035107	1	Bulb	
18	S0480653	1	Thermometer	
	S8035107	1	Bulb	
19	S8063080	4	Fuse Box	
	S8066650	4	Fuse	
20	S8063072	1	Fuse Box	
	S8066650	6	Fuse	
21	S8070075	1	Bulb	
	S8035091	1	Bulb	
22	S8070074	1	Bulb	
	S8035091	1	Bulb	
23	S8070076	1	Bulb	
	S8035091	1	Bulb	
24	S8094918	1	Horn	
25	S8033649	1	Switch	
26	S8080035	1	Light	
27	S8035127	1	Bulb	
28	S8033638	2	Connectors	
29		1	Auger	

---

30		1	Auger	
31		1	Auger	
32	S8033649	1	Switch	
33	S8035095	4	Bulb	For Germany only or any text in German only.
34	S8070021	2	Rear Lamp	For Germany only or any text in German only.
35	S8035093	2	Bulb	For Germany only or any text in German only.
36			Engine	
37			Startermotor	
38			Alternator	
39	S2666108	1	Heater	
40	S0295465	1	Sender	
41		1	Indicator	
42	S0494845	1	Sender	
43	S8000730	1	Battery	
44	S8094925	1	Switch	For Germany only or any text in German only.
	S661533	1	Cable	For Germany only or any text in German only.
45	SR645515	1	Cable	For Germany only or any text in German only. RED
46	SR661541	1	Cable	For Germany only or any text in German only. A - YELLOW D - BROWN F - BLUE
47	SR645546	1	Cable	For Germany only or any text in German only. GREY
48	SR633278	1	Cable	WHITE
49	SR633279	1	Cable	RED
50	SR645516	1	Cable	For Germany only or any text in German only. RED
51	SR633264	1	Cable	BLACK
52	SR645546	1	Cable	GREY
53	SR641683	1	Cable	BLACK
54	SR641682	1	Cable	WHITE
55	SR641681	1	Cable	BLUE
56	SR633239	1	Cable	RED
57	SR633238	1	Cable	YELLOW
58	SR633264	1	Cable	BLACK
59	SR633266	1	Cable	BLACK
60	SR633236	1	Cable	WHITE
61	SR645513	1	Cable	For Germany only or any text in German only. RED
62	SR645546	1	Cable	For Germany only or any text in German only. GREY
63	SR645546	1	Cable	For Germany only or any text in German only. GREY
64	SR633219	1	Cable	E - BLACK F - BLUE

---

---

65	SR645514	1	Cable	For Germany only or any text in German only. E - BLACK F - BLUE
66	SR645512	1	Cable	For Germany only or any text in German only. RED
67	SR633209	1	Cable	A - YELLOW B - GREEN C - WHITE D - BROWN E - BLACK F - BLUE G - GREY H - VIOLET K - RED
68	SR645511	1	Cable	For Germany only or any text in German only. RED
69	SR645519	1	Cable	For Germany only or any text in German only. E - BLACK F - BLUE
70	SR645521	1	Cable	For Germany only or any text in German only. E - BLACK F - BLUE
71	SR633250	1	Cable	YELLOW
72	SR645520	1	Cable	For Germany only or any text in German only. E - BLACK F - BLUE
73	SR645526	1	Cable	For Germany only or any text in German only. BLACK
74	SR645515	1	Cable	For Germany only or any text in German only. BLACK
75	SR661542	1	Cable	For Germany only or any text in German only. A - YELLOW D - BROWN F - BLUE
76	SR645544	1	Cable	For Germany only or any text in German only. GREY
77	SR633230	1	Cable	BLUE
78	SR661534	1	Cable	For Germany only or any text in German only. BLACK
79	SR633280	1	Cable	GREY
80	SR661484	1	Cable	For Germany only or any text in German only. BLACK
81	SR633245	1	Cable	GREY
82	SR633266	1	Cable	BLACK
83	SR661536	1	Cable	For Germany only or any text in German only. GREY

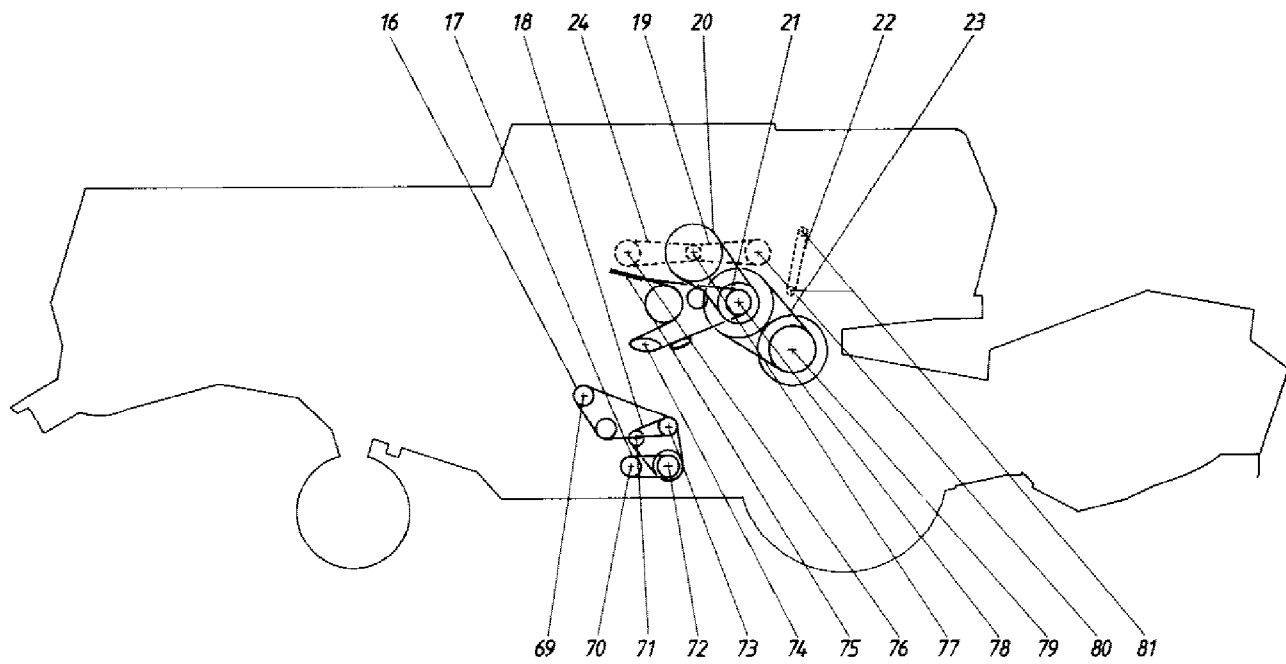
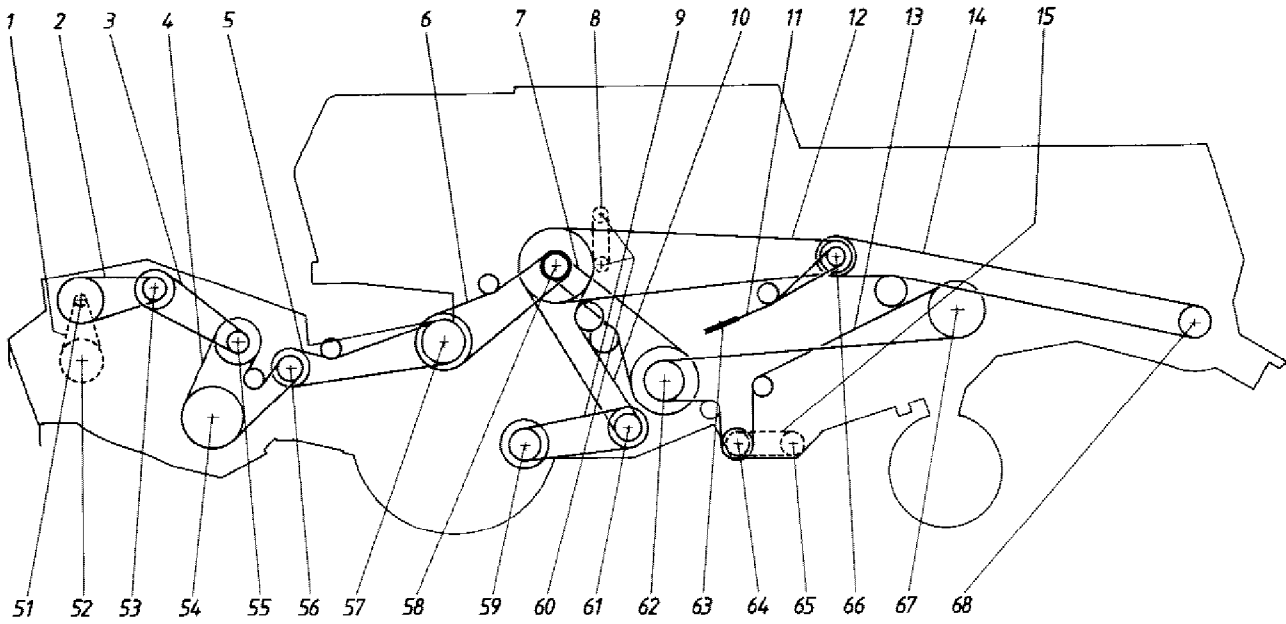
---

---

84	SR661537	1	Cable	For Germany only or any text in German only. BLACK
85	SR633247	1	Cable	BLUE
86	SR633267	1	Cable	BLACK
87	SR636581	1	Cable	For Germany only or any text in German only. BLACK
88	SR661390	1	Cable	For Germany only or any text in German only. RED
89	SR637144	1	Cable	YELLOW
90	SR638228	1	Cable	YELLOW
91	SR634789	1	Cable	WHITE
92	SR638229	1	Cable	YELLOW
93	SR645507	1	Cable	For Germany only or any text in German only. A - YELLOW D - BROWN F - BLUE
94	SR645508	1	Cable	For Germany only or any text in German only. A - YELLOW D - BROWN F - BLUE
95	SR076758	1	Cable	WHITE
96	SR645527	2	Cable	RED
97	SR661391	1	Cable	For Germany only or any text in German only. BLACK
98	SR633243	1	Cable	GREY
99	SR661162	1	Cable	For Germany only or any text in German only. BLUE
100	SR661152	1	Cable	For Germany only or any text in German only. E - BLACK G - GREY
101	SR633282	1	Cable	BLACK
102	SR633281	1	Cable	GREY
103	SR633284	1	Cable	GREY
104	SR661150	1	Cable	For Germany only or any text in German only. BLUE
105	SR633211	1	Cable	

---

HIHNAT JA KETJUT  
REMMAR OCH KEDJOR  
BELTS AND CHAINS  
KEILRIEMEN UND KETTEN  
COURROIES ET CHAINES



AGCO Corporation  
Parts List Report

Massey Ferguson (Europe)  
MF 330 COMBINE  
Page 162 - BELTS AND CHAINS

Item	Part Number	Qty	Part Description	Comments
1	S0657101	1	Chain	
2	S0614127	1	V Belt	
3	S0614122	1	V Belt	
	S0614124	1	V Belt	
	S0615110	1	V Belt	
4	S0614149	1	V Belt	
	S0614147	1	V Belt	
5	S0615130	1	V Belt	
6	S0615124	1	V Belt	
7	S0614150	1	V Belt	
8	S0657074	1	Chain	
	S0657084	1	Chain	
9	S0619170	1	Belt	
10	S0619065	1	Band	
11	S0614136	1	V Belt	
12	S0615146	1	V Belt	
13	S0614172	1	V Belt	
14	S0615147	1	V Belt	
15	S0657102	1	Chain	
16	S0613147	1	V Belt	
17	S0613116	1	V Belt	
18		1	V Belt	
19	S0657079	1	Chain	
20	S0615116	1	V Belt	
21	S0614152	1	V Belt	
22	S0657219	1	Chain	
23	S0619175	1	Belt	
24	S0657079	1	Chain	
	S0657102	1	Chain	
			Engine	

1

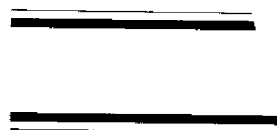
# MASSEY FERGUSON

2

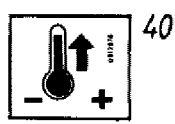
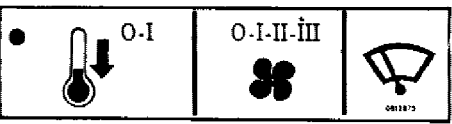
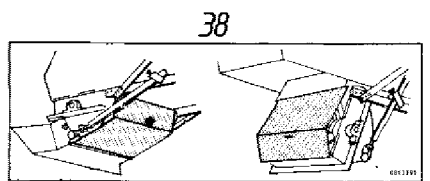
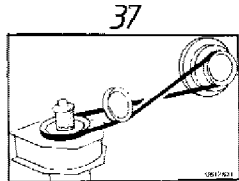
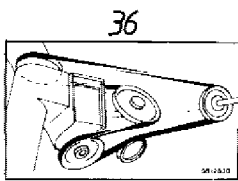
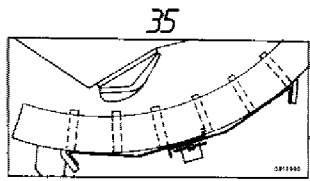
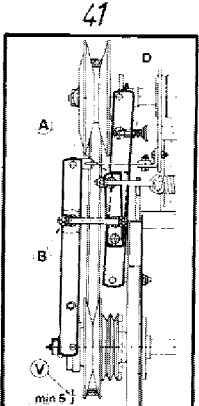
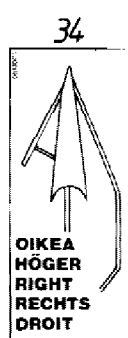
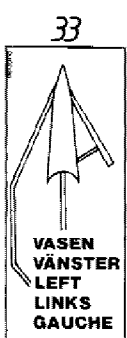
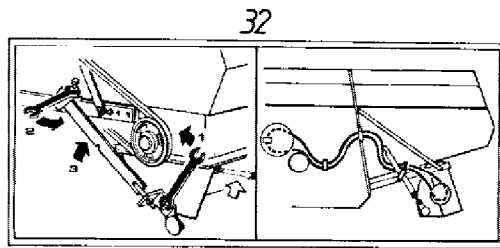
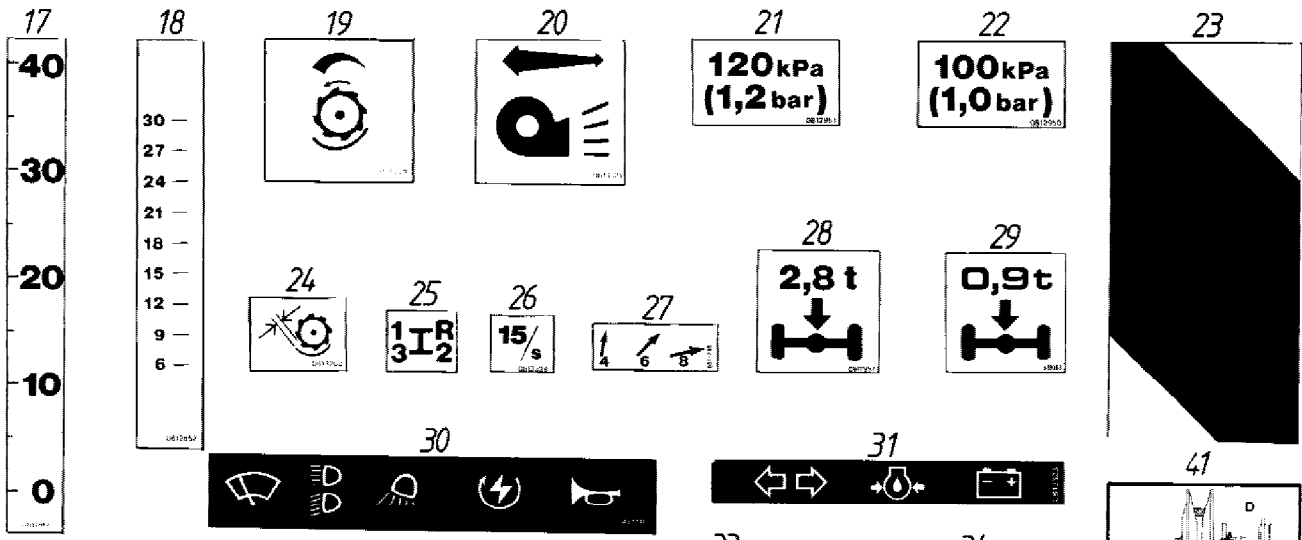
3

4

# MF



# 330



AGCO Corporation  
Parts List Report

Massey Ferguson (Europe)  
MF 330 COMBINE  
Page 164 - TRANSFERS-FRENCH

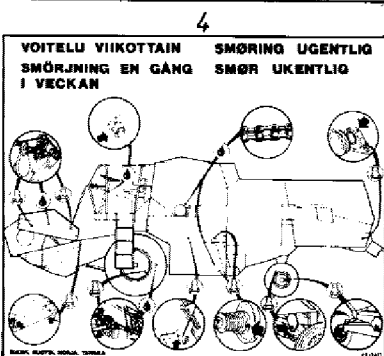
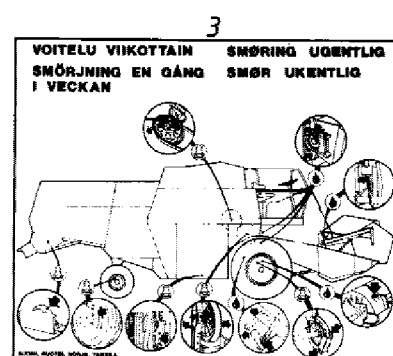
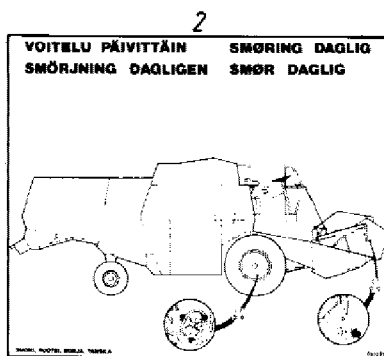
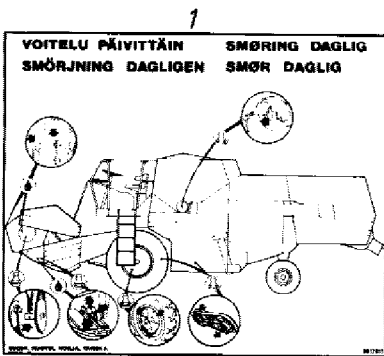
Item	Part Number	Qty	Part Description	Comments
1	S0812458	2	Decal	(N) (DK)
2	S0812459	2	Decal	(N) (DK)
3	S0813444	1	Decal	(N) (DK)
4	S0812458	2	Decal	(N) (DK)
7	S0813250	1	Decal	(N) (DK)
8	S0813258	1	Decal	(N) (DK)
9	S0813243	1	Decal	(N) (DK)
10	S0813244	1	Decal	(N) (DK)
11	S0813245	1	Decal	(N) (DK)
12	S0812995	1	Decal	(N) (DK)
13	S0812996	1	Decal	(N) (DK)
14	S0812997	1	Decal	(N) (DK)
15	S0813396	1	Decal	(N) (DK)
16	S0813397	1	Decal	(N) (DK)
17	S0812868	1	Decal	(N) (DK)
18	S0812852	1	Decal	(N) (DK)
19	S0813320	1	Decal	(N) (DK)
20	S0813321	1	Decal	(N) (DK)
21	S0812951	2	Decal	(N) (DK)
22	S0812950	2	Decal	(N) (DK)
23	S0812740	2	Decal	(DK)
	S0813229		Decal	
	S0813228		Decal	
	S0812742	2	Decal	(N)
24	S0813263	1	Decal	(N) (DK)
25	S0813257	1	Decal	(N) (DK)
26	S0813329	1	Decal	(N) (DK)
27	S0813288	1	Decal	(N) (DK)
28	S0812957	1	Decal	(N) (DK)
29	S0812955	1	Decal	(N) (DK)
30	S0812832	1	Decal	(N) (DK)
31	S0813323	1	Decal	(N) (DK)
32	S0813327	1	Decal	(N) (DK)
33	S0813000	1	Decal	(N) (DK)
34	S0813001	1	Decal	(N) (DK)
35	S0812990	2	Decal	(N) (DK)
36	S0812830	1	Decal	(N) (DK)
37	S0812831	1	Decal	(N) (DK)
38	S0812457	1	Decal	(N) (DK)

---

39	S0812875	1	Decal	(N) (DK)
40	S0812876	1	Decal	(N) (DK)
41	S0812853	1	Decal	(N) (DK)

---

**TARRAKILVET  
DEKALER  
TRANSFERS  
DER AUFKLEBER  
DÉCALCOMANIES**



5

ANNA ÄÄNIMERKKEI ENNEN MOOTTORIN KÄYNNISTYSTÄ  
PAINA KYTKIN POHJAAN KÄYNNISTÄESSÄSI MOOTTORIA  
MOOTTORIN KÄYDESSÄ EI VIRTA-AVAINTA SAA KÄÄNTÄÄ 0-ASEENTOON  
IRROITA LATAAJAN JOHTIMET ENNEN SÄHKÖMITSUSTA

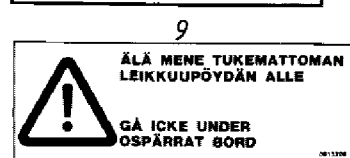
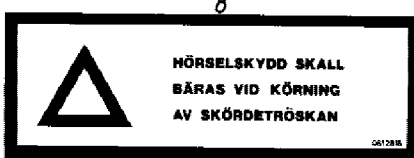
GE LJUDDSIGNAL INNAN DU STARTAR MOTORN  
TRYCK NED KOPPLINGSPEDALEN VID START AV MOTORN  
UNDER MOTORN GÅNG FÅR EJ STRÖMNYCKELN VRIDAS TILL POSITION O  
VID ELSVETSNING BÖR GENERATORNS KABLAR LÖSGÖRAS

6

HÄLYTTYSÄÄNIMERKKEI:  
- MOOTTORIN YLIKUUMENEMINEN  
- KOHLNITILAN TUKEUTUMINEN  
- VILJARUUVIN, RAJASRUUVIN JA POHJARUUVIEN SUOJAKYTKIMET

ALARMSIGNAL:  
- MOTORN ÖVERHETNING  
- SKAKARUTRYMMET IGENSTOCKAT  
- SPÄNNÄLSSKRUVENS, RETURSKRUVENS OCH BOTTENSKRUVARNAS SKYDDSKOPPLINGAR

VOITELUÖLJYT SMÖRÖLJÖR	KÄYTTÖLUOKKA BRUKSKLASS ART	VISKÖSITETTI VISKÖSITET SAE	VAHVOUVA OJJEVYTE
MOOTTORI JA HESKUTUSMOTORI MOTORN OCH HESKUTNINGSP.	CB, CC	10W/30	150
HYDRAULIINEN HYDRAULIK	CB, CC	10W	2 VUOTTA ÅR
VAHVIETUS KÄYTTÖLUOKKA	GL-4	EP-90	1 VUOTTA ÅR

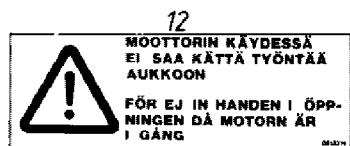


10

SUOJELE LUONTOA - ÄLÄ PÄÄSTÄ KÄYTETTÄVÄ ÖLJYÄ SAASTUTTAMAAN MAAPERÄÄ  
SKYDDA NATUREN - LÄT INTE ANVÄND OLJA FÖRÖRENA MÅRKEN

11

MOOTTORIN KÄYDESSÄ ON TÄMÄ SUOJA EHDOTTOMASTI PIDETTÄVÄ PAIKALLAAN APULAITTEIDEN JÄÄNDYTYKSEN TAKIA  
DENNA PLÅT MÅSTE OVILKORLIGEN VARA MONTERAT FÖR ATT ERHÅLLA KYLNING AV GENERATOR OCH BRÄNSLESYSTEM



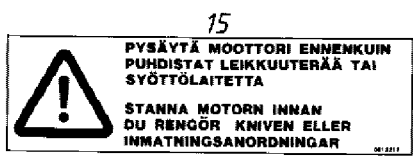
13

LIKIMÄÄRÄISIÄ SÄÄTÖARVOJA UNOPÄRLIGA INSTÄLLNINGSVÄRDEN

KAPPLAR SÄÄTÖARVON	KÄYTTÖLUOKKA	-JÄTKE		KÄYTTÖLUOKKA	KÄYTTÖLUOKKA	KÄYTTÖLUOKKA	KÄYTTÖLUOKKA
		MOOTTORIN	HYDRAULIINEN				
RUIS - RÄG	12-18	12-18	10-12	8	8		
VEDEN - VÄTE	12-18	12-18	10-12	8	8		
OHJA - RÖR	14-18	12-18	10-12	7	8		
KÄURÄ - RÄVNE	14-18	12-18	12-18	8	8		
RYHMÄ - RYPPÄ	12-18	10-12	8	3	9		
TIMOTI - TIMOTEI	10-12	8-10	6	1	6		
APILA - KLÖVER	12-18	10-12	8	2	7		
MUMMIMÄTTÄ - MÄÄRÄYKSIÖN	8-10	10-12	10	1	7		
HÄRNE - ÄRT			18	7	9		

14

VAINDA ILMASUODATIN AINA PUUNTIKÄUDEN ALKAESSÄ  
BYT ALLTID LUFTFILTRER FÖRE NY SKÖRDESÄSONG



16

IRROITA LATAAJAN JOHTIMET ENNEN SÄHKÖMITSUSTA  
VID ELSVETSNING BÖR GENERATORNS KABLAR LÖSGÖRAS

17

VASENKIERRE VÄNSTERGÅNGA

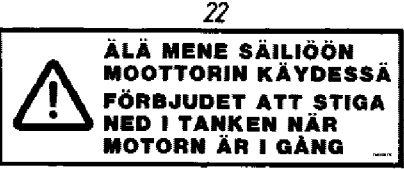
18

KYTKE JA IRROITA PUIMAKONE AINOASTAAN MOOTTORIN TYHJÄKÄYNNILLÄ  
KOPPLA TILL OCH FRÅN TRÖSKVERKET ENDAST NÄR MOTORN GÅR PÅ TOMGÅNG

19

LIKIMÄÄRÄISIÄ SÄÄTÖARVOJA UNOPÄRLIGA INSTÄLLNINGSVÄRDEN

KAPPLAR SÄÄTÖARVON	VAHVIETUS	VAHVIETUS
RUIS - RÄG	1000-1100	9-12
VEDEN - VÄTE	1000-1100	9-12
OHJA - RÖR	1100-1200	8-9
KÄURÄ - RÄVNE	800-1000	8-18
RYHMÄ - RYPPÄ	800	10-18
TIMOTI - TIMOTEI	880	9-12
APILA - KLÖVER	1200	
MUMMIMÄTTÄ - MÄÄRÄYKSIÖN	880	18-18
HÄRNE - ÄRT	800	28



23

VIVUN SAÄTÖ MUTTERILLA  
MITAN SAÄTÖ MUTTERILLA  
JUSTERA MED MUTTER  
JUSTERA MED MUTTER

24

MOOTTORIN KÄYNNISTYS  
KÄÄNNÄ VIRTA-AVAIN ASEENTOON R  
KÄÄNNÄ PYSÄYTYNVIIPU KÄYNTIASENTOON  
KÄÄNNÄ KAASUVIIPU TÄYSIKÄASUASEENTOON  
LÄMMIN ILMA TAI LÄMMIN MOOTTORI  
KÄYNNISTÄ MOOTTORI KÄÄNTÄMÄLLÄ VIRTA-AVAIN HS-ASEENTOON  
KYLÄ ILMA  
KÄÄNNÄ VIRTA-AVAIN HEHKUTUSASEENTOON H N. 15-20 SEKUNNIN AJAKSI  
KÄYNNISTÄ MOOTTORI KÄÄNTÄMÄLLÄ VIRTA-AVAIN HEHKUTUS-KÄYNNISTYSENTOON HS  
ELLEI MOOTTORI KÄYNNISTY 20 SEKUNNIN AIKANA, HEHKUTA UUDELLEEN ASENNOSSA H N. 10 SEKUNTA JA KÄYNNISTÄ MOOTTORI ASENNOSSA HS

START AV MOTORN  
VRID STRÖMNYCKELN TILL LÅGE R  
STÄLL STOPPREGLAGET I GÅNGLÅGE  
STÄLL GASREGLAGET PÅ FULLGAS  
VÄRM VÄDER ELLER VÄRM MOTOR  
VRID STRÖMNYCKELN TILL LÅGE HS  
KALLT VÄDER  
VRID STRÖMNYCKELN TILL GLÖDLÅGET OCH HÅLL DEN DÄR I 15-20 SEKUNDER  
VRID VIDARE TILL GLÖD- OCH STARTLÅGET HS  
OM MOTORN INTE STARTAR INOM 20 SEKUNDER, UPPREPA GLÖDNINGEN PÅ NYTT I LÅGET H CA. 10 SEKUNDER OCH STARTA DAREFTER I LÅGET HS

AGCO Corporation  
Parts List Report

Massey Ferguson (Europe)  
MF 330 COMBINE  
Page 166 - TRANSFERS-FRENCH

Item	Part Number	Qty	Part Description	Comments
1	S0812811	1	Decal	(N) (DK)
2	S0812810	1	Decal	(N) (DK)
3	S0812812	1	Decal	(N) (DK)
4	S0812871	1	Decal	(N) (DK)
5	S0813332	1	Decal	
	S0813385	1	Decal	(N) (DK)
6	S0813326	1	Decal	
	S0813388	1	Decal	(N) (DK)
7	S0812847	1	Decal	
	S0813013	1	Decal	(N) (DK)
8	S0812815	1	Decal	
9	S0813206	1	Decal	
	S0812842	1	Decal	(N) (DK)
10	S0813296	1	Decal	
	S0813015	1	Decal	(N) (DK)
11	S0812836	1	Decal	
	S0813390	1	Decal	(N) (DK)
12	S0813214	11	Decal	
	S0812840	11	Decal	(N) (DK)
13	S0813301	1	Decal	
	S0813306	1	Decal	(N) (DK)
14	S0813297	1	Decal	
	S0813014	1	Decal	(N) (DK)
15	S0813217	1	Decal	
	S0812841	1	Decal	(N) (DK)
16	S0813328	1	Decal	
	S0813389	1	Decal	(N) (DK)
17	S0813187	2	Decal	(N) (DK)
18	S0812808	1	Decal	
	S0812844	1	Decal	(N) (DK)
19	S0812892	1	Decal	
	S0812894	1	Decal	(N) (DK)
20	S0813210	3	Decal	
	S0812843	3	Decal	(N) (DK)
21	S0812805	1	Decal	
22	S0812879	1	Decal	
	S0812878	1	Decal	(N) (DK)
23	S0812854	1	Decal	
	S0812855	1	Decal	(N) (DK)

---

---

24	S0812706	1	Decal	
	S0812707	1	Decal	(N) (DK)

---

---

**TARRAKILVET  
DEKALER  
TRANSFERS  
DER AUFKLEBER  
DÉCALCOMANIES**

1

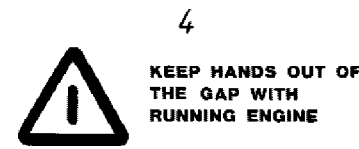
MACHINE SETTINGS		
CROP	CYLINDER	CONCAVE CLEARANCE (FRONT)
	R.P.M.	mm
RYE	1000 - 1150	9 - 12
WHEAT	1000 - 1200	9 - 12
BARLEY	1100 - 1250	6 - 9
OATS	900 - 1100	9 - 15
RAPE	750 - 850	15 - 16
TIMOTHY	850 - 950	9 - 12
CLOVER	1100 - 1200	6
MEADOW FESCUE	800 - 900	SLIDE PLATES 15 - 16
PEA (ENGLANT)	600 - 00	28



3

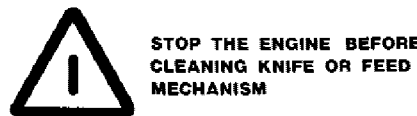
**ENGAGE AND DISENGAGE THRESHING MECHANISM ONLY AT IDLING SPEEDS OF ENGINE**

ENGLANTI, RUMAK, A VTK 0812353



5

MACHINE SETTINGS					
CROP	ADJUSTABLE SIEVE	EXTENSION	GRAIN SIEVE	AMOUNT	FAN DIRECTION
	mm A	mm	mm	NOTCH	1/2 1/8
RYE	12 - 16	10 - 16	12 - 16	8 - 10	8 - 7
WHEAT	12 - 16	10 - 16	12 - 16	8 - 10	8 - 7
BARLEY	14 - 16	10 - 16	12 - 16	8 - 10	5 - 6
OATS	14 - 18	12 - 16	16	7 - 9	8 - 7
RAPE	8 - 12	8 - 12	5	2 - 4	8 - 7
TIMOTHY	8 - 10	8 - 10	5	1*	8
CLOVER	12 - 16	10 - 14	5	2 - 3	7
MEADOW FESCUE	8 - 10	8 - 12	8 - 10	1*	8
PEA (ENGLANT)	FULLY OPEN	16	7	1	8



7

**CHANGE THE AIR CLEANER ALWAYS BEFORE A NEW THRESHING SEASON**

ENGLANTI 0813377



10

**LEFT-HAND THREAD**

8

**GIVE A SIGNAL BEFORE STARTING THE ENGINE**

**DEPRESS THE CLUTCH PEDAL WHEN STARTING THE ENGINE**

**DON'T TURN IGNITION SWITCH TO POSITION 0 WHEN MOTOR IS RUNNING**

**REMOVE THE CABLES FROM THE ALTERNATOR BEFORE ELECTRICAL WELDING**

ENGLANTI, KEMMISTYS 080876

11

LUBRICATION	SERVICE CLASSIFICATION	VISCOSITY	CHANGE PERIOD
	API	SAE	
ENGINE AND INJECTION PUMP	CB, CC	10W/30	150 h
HYDRAULICS	CB, CC	10W	2 YEARS
GEAR BOX	GL-4	EP-90	1 YEAR

12

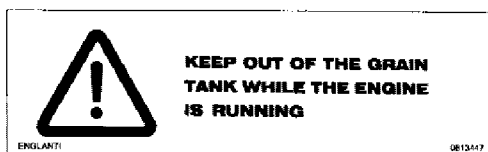
**LUBRICATION ONCE A DAY**

ENGLANTI, RANTT, VOITELU 0812392

13

**LUBRICATION ONCE A WEEK**

ENGLANTI, VOITELU 0812393



15

**PROTECT NATURE - NEVER DRAIN USED OIL ONTO THE GROUND**

ENGLANTI, SUOJELE LUONTOA 0808378

16

<b>STARTING INSTRUCTIONS</b> TURN SWITCH TO POSITION "R" RELEASE STOP CONTROL OPEN THROTTLE FULLY <b>WARM WEATHER OR ENGINE WARM</b> TURN SWITCH TO (HS) POSITION ENGLANTI	<b>COLD WEATHER</b> TURN TO HEATER (H) FOR 15-20 SECONDS TURN TO HEATER AND STARTER (HS) IF NO START OBTAINED IN 20 SECONDS REPEAT (H) FOR 10 SECONDS FOLLOWED BY (HS)
----------------------------------------------------------------------------------------------------------------------------------------------------------------------------------------------	------------------------------------------------------------------------------------------------------------------------------------------------------------------------------------

0812700

17

ADJUST Ⓐ WITH NUT Ⓑ

ADJUST Ⓒ WITH NUT Ⓓ

ENGLANTI, AJON, SAATO 0813364

18

**SOUND SIGNAL:**

- OVERHEATING OF ENGINE
- STOPPAGE OF STRAWWALKERS
- SAFETY CLUTCHES FOR GRAIN AUGER, RETURN AUGER AND BOTTOM AUGERS

ENGLANTI, HÄLVYSAARI 0813361

19

**WHEN ENGINE IS RUNNING, THIS GUARD ABSOLUTELY MUST BE ON, TO ACHIEVE COOLING OF ALTERNATOR AND FUEL SYSTEM**

ENGLANTI, AJON, SAATO 0813364

AGCO Corporation  
Parts List Report

Massey Ferguson (Europe)  
MF 330 COMBINE  
Page 168 - TRANSFERS-ENGLISH

---

Item	Part Number	Qty	Part Description	Comments
1	S0812898	1	Decal	
2	S0813371	3	Decal	
3	S0813363	1	Decal	
4	S0813372	11	Decal	
5	S0813304	1	Decal	
6	S0813374	1	Decal	
7	S0813377	1	Decal	
8	S0813379	1	Decal	
9	S0813373	2	Decal	
10	S0813376	2	Decal	
11	S0813375	1	Decal	
12	S0813382	2	Decal	
13	S0813383	2	Decal	
14	S0813447	1	Decal	
15	S0813378	1	Decal	
16	S0812709	1	Decal	
17	S0813384	1	Decal	
18	S0813381	1	Decal	
19	S0813364	1	Decal	

---

**TARRAKILVET  
DEKALER  
TRANSFERS  
DER AUFKLEBER  
DÉCALCOMANIES**

1


**BEDIENUNGSANWEISUNGEN**  
SCHLÜSSEL AUF POSITION (R) STELLEN  
STOPKONTROLLHEBEL AUF FAHRT STELLEN  
GASPEDAL AUF VOLLGAS  
**IN WARMEM WETTER ODER BEI WARMEM MOTOR**  
STARTSCHLÜSSEL AUF POSITION (HS) DREHEN  
**BEI KALTEM WETTER**  
STARTSCHLÜSSEL 15-20 SEKUNDEN AUF POSITION (H) DREHEN. STARTSCHLÜSSEL WEITER NACH LINKS AUF POSITION (HS) DREHEN. FALLS DER MOTOR NICHT INNERHALB 20 SEKUNDEN ANSPRINT.  
WIEDER 10 SEKUNDEN LANG AUF POSITION (H) UND DANN AUF (HS) DREHEN

SAKSA RANSKA 0812708

**INSTRUCTIONS DE DEMARRAGE**  
METTRE LE CONTACT (POSITION "R")  
ACCÉLÉRER À FOND. S'ASSURER QUE LA COMMANDE DE STOP EST EN POSITION MARCHÉ  
**PAR TEMPS NORMAL OU MOTEUR CHAUD**  
AMENER LE CONTACTEUR À LA POSITION "HS" (CHAUFFAGE DÉMARRAGE)  
**PAR TEMPS FROID**  
ENGAGER LA POSITION CHAUFFAGE "H" DU CONTACTEUR PENDANT 15 À 20 SECONDES  
AMENER LA CLÉ DU CONTACTEUR À LA POSITION "HS" (CHAUFFAGE DÉMARRAGE). SI APRES 20 SECONDES, LE MOTEUR N'A PAS DÉMARRÉ. REVENIR À LA POSITION "H" PENDANT 10 SECONDES PUIS À LA POSITION "HS".

0812708

2



**VORSICHT  
BEI BESEITIGUNG, REINIGUNG  
UND PROBEENTNAHME  
GEEIGNETE HILFSMITTEL  
VERWENDEN**

SAKSA 0812710

3

**DURCHSCHNITTLICHE EINSTELLWERTE  
TABLEAU DE RÉGLAGE**

FRUCHT RÉCOLTE	SÜBERSTRICH DREHLEISTUNG DREHLEISTUNG	VERLÄNGERUNG NUMM.		DREHLEISTUNG DREHLEISTUNG	LEISTUNG LEISTUNG	LEISTUNG LEISTUNG
		12-16	12-16			
ROGGEN - SEIGLE	12-16	12-16	10-12	8	8	8
WEIZEN - BLE	12-16	12-16	10-12	8	8	8
GERSTE - ORGE	14-18	12-16	10-12	7	8	8
HAFER - AVOINE	14-18	12-16	12-16	8	8	8
HAFER - COLZA	12-16	10-12	5	3	3	3
GRASSAMEN - FLEULE DES PRES	10-12	8-10	3	1	3	3
KLEE - TRÉFLE	12-14	10-12	3	2	7	7

SAKSA RANSKA

**VOR DEM STARTEN DES MOTORS HUPEN  
BEIM STARTEN DAS KUPPLUNGSPEDAL DURCHTRETEN  
BEI LAUFENDEM MOTOR DEN SCHLÜSSEL NICHT ZUR STELLUNG O BREHEN  
DIE KABELN DES DREHSTROM-GENERATORS VOR ELEKTRISCHEM SCHWEISSEN ABTRENNEN**

0812708

**SONNER AVANT DE METTRE EN MARCHÉ LE MOTEUR  
PRESSER A FOND EMBRAYAGE QUAND METTENT EN MARCHÉ LE MOTEUR  
QUAND LE MOTEUR MARCHÉ NE PAS TOURNER CLÉ DE CONTACT A POSITION O  
DÉTACHER CONDUITES DU CHARGEUR AVANT SOUDAGE A L'ÉLECTRICITÉ**

0812708

**ALARMSIGNAL:  
- ÜBERHITZUNG DES MOTORS  
- VERSTOPFUNG DES SCHÜTLERRAUMES  
- RUTSCHKUPPLUNGEN DER KÖRNER-SCHNECKE, ÜBERKEHRSCHECKE UND BODENSCHNECKEN  
SIGNAL D'ALARME:  
- SURCHAUFFAGE DU MOTEUR  
- OBSTRUCTION DES SECOEURS  
- ACCOUPLEMENTS A FRICTION DE LA VIS A BON GRAIN, DE LA VIS A OTONS ET DES VIS DU FOND**

0812708

4

**DURCHSCHNITTLICHE EINSTELLWERTE  
TABLEAU DE RÉGLAGE**

FRUCHT RÉCOLTE	DREHSTRICH DREHSTRICH	DREHSTRICH DREHSTRICH	
		1000-1500	9-12
ROGGEN - SEIGLE	1000-1500	9-12	9-12
WEIZEN - BLE	1000-1500	9-12	9-12
GERSTE - ORGE	1100-1200	8-9	9-12
HAFER - AVOINE	900-1000	9-12	9-12
HAFER - COLZA	800	12-16	9-12
GRASSAMEN - FLEULE DES PRES	850	9-12	9-12
KLEE - TRÉFLE	1200	8	9-12

SAKSA RANSKA

**ACHTUNG! UNTERLEGKEILE NUR AN DER VORDERACHSE VERWENDEN**

0812708

**HIER FEUERLÖSCHER ANBRINGEN**

0812708

12

**ARBEITEN IM MOTORRAUM NUR BEI ABGESTELTDEM MOTOR**

0812708

**10 AUS 11 EIN**

0812708

**SCHMIERÖLE  
GRAISSAGE**

VERWENDUNGSKLASSE TYPE	VISKOSITÄT VISCOSITÉ	WECHSELPERIODE PÉRIODICITÉ DE VIVANCE
MOTOR UND EINZUGSPUMPE MOTEUR ET POMPE D'ALIMENTATION	CB, CC 10W/30	150
HYDRAULIK HYDRAULIQUE	CB, CC 10W	2 JAHRE ANS
GETRIEBE UND WINKEL- GETRIEBE BOITE DE VITESSE	GL-4 EP-90	1 JAHRE ANS

SAKSA RANSKA

**13 14**

0812708

**15 BEI LAUFENDEM MOTOR SOLL DIESES BLECH UMBEDINGT AUFMONTIERT WEGEN KÜHLUNG VOM GENERATOR UND BRENNSTOFFSYSTEM SEIN.**

0812708

**16 SCHNEIDTISCH BEI REPARATURARBEITEN ABSTÜTZEN  
NE PAS TRAVAILLER SUR LA BARRE DE COUPE SANS ENGAGER LA BUTÉE DE SÉCURITÉ**

0812708

**17 UMWELTSCHUTZ - BODEN NICHT DURCH ÖL VERUNREINIGEN  
PROTÉGEZ LA NATURE - NE POLLUEZ PAS LE SOL AVEC DE L'HUILE**

0812708

**19 HEBEL MIT MUTTER EINSTELLEN  
MASS MIT MUTTER EINSTELLEN  
RÉGLAGE DE LEVER A AVEC ÉCROU B  
RÉGLAGE DE MESURE V AVEC ÉCROU D**

SAKSA RANSKA 0812708

**20 BEI LAUFENDEM MOTOR NICHT IN DIE ÖFFNUNG GREIFEN  
NE PAS INTRODUIRE LA MAIN DANS CETTE OUVERTURE LORSQUE LE MOTEUR TOURNE**

0812708

**18 ACHTUNG: ROTIERENDE MESSER  
ATTENTION: LAMES ROTATIVES**

0812708

**22 DER LUFTFILTER SOLL IMMER VOR BEGINN DER DRESCHPERIODE GEWECHSELT WERDEN  
FILTRE A AIR DOIT ÊTRE CHANGE AU DÉBUT DE CHAQUE SAISON DE MOISSON**

0812708

**23 MOTOR ABSTELLEN BEVOR DAS SCHNEIDWERK ODER EINZUGSEINRICHTUNGEN GEREINIGT WERDEN  
ARRÊTER LE MOTEUR AVANT DE NETTOYER LA LAME OU LE MÉCANISME D'ALIMENTATION**

0812708

**24 DIE KABELN DES DREHSTROM-GENERATORS VOR ELEKTRISCHEM SCHWEISSEN ABTRENNEN  
DÉTACHER CONDUITES DU CHARGEUR AVANT SOUDAGE A L'ÉLECTRICITÉ**

0812708

**25 LINKSGEWINDE  
PAS DE VIS A GAUCHE**

0812708

**26 DAS DRESCHWERK NUR MIT MOTOR IN LEERLAUFSTELLUNG EIN- UND AUSSCHALTEN  
LA BATELUSE NE DÉMARRER ET DÉBRAYER QUE PENDANT LA MARCHÉ À VIDE DU MOTEUR**

0812708

**21 DÉFENSE D'ENTRER DANS LA TRÉMIE LE MOTEUR ÉTANT EN MARCHÉ**

RANSKA 0812456

**27 SCHMIERPLAN TÄGLICH  
PARTIES A GRAISSER QUOTIDIENNEMENT**

0812867

**28 SCHMIERPLAN WÖCHENTLICH  
PARTIES A GRAISSER UNE FOIS PAR SEMAINE**

VIKOTTAISET VOITELUKOITEET SAKSA RANSKA 0812867

AGCO Corporation  
Parts List Report

Massey Ferguson (Europe)  
MF 330 COMBINE  
Page 170 - TRANSFERS-FRENCH

---

Item	Part Number	Qty	Part Description	Comments
1	S0812708	1	Decal	
2	S0812710	1	Decal	
3	S0813305	1	Decal	
4	S0812896	1	Decal	
5	S0813355	1	Decal	
6	S0813352	1	Decal	
7	S0812986	1	Decal	
8	S0813237	1	Decal	
9	S0812971	1	Decal	
10	S0813241	1	Decal	
11	S0813242	1	Decal	
12	S0813198	1	Decal	
13	S0813333	1	Decal	
14	S0812835	1	Decal	
15	S0812455	1	Decal	
16	S0812972	1	Decal	
17	S0812974	1	Decal	
18	S0813353	3	Decal	
19	S0812856	1	Decal	
20	S0812981	1	Decal	
21	S0812456	1	Decal	
22	S0813077	1	Decal	
23	S0812970	1	Decal	
24	S0813354	1	Decal	
25	S0812973	1	Decal	
26	S0812809	1	Decal	
27	S0812866	2	Decal	
28	S0812867	2	Decal	

---