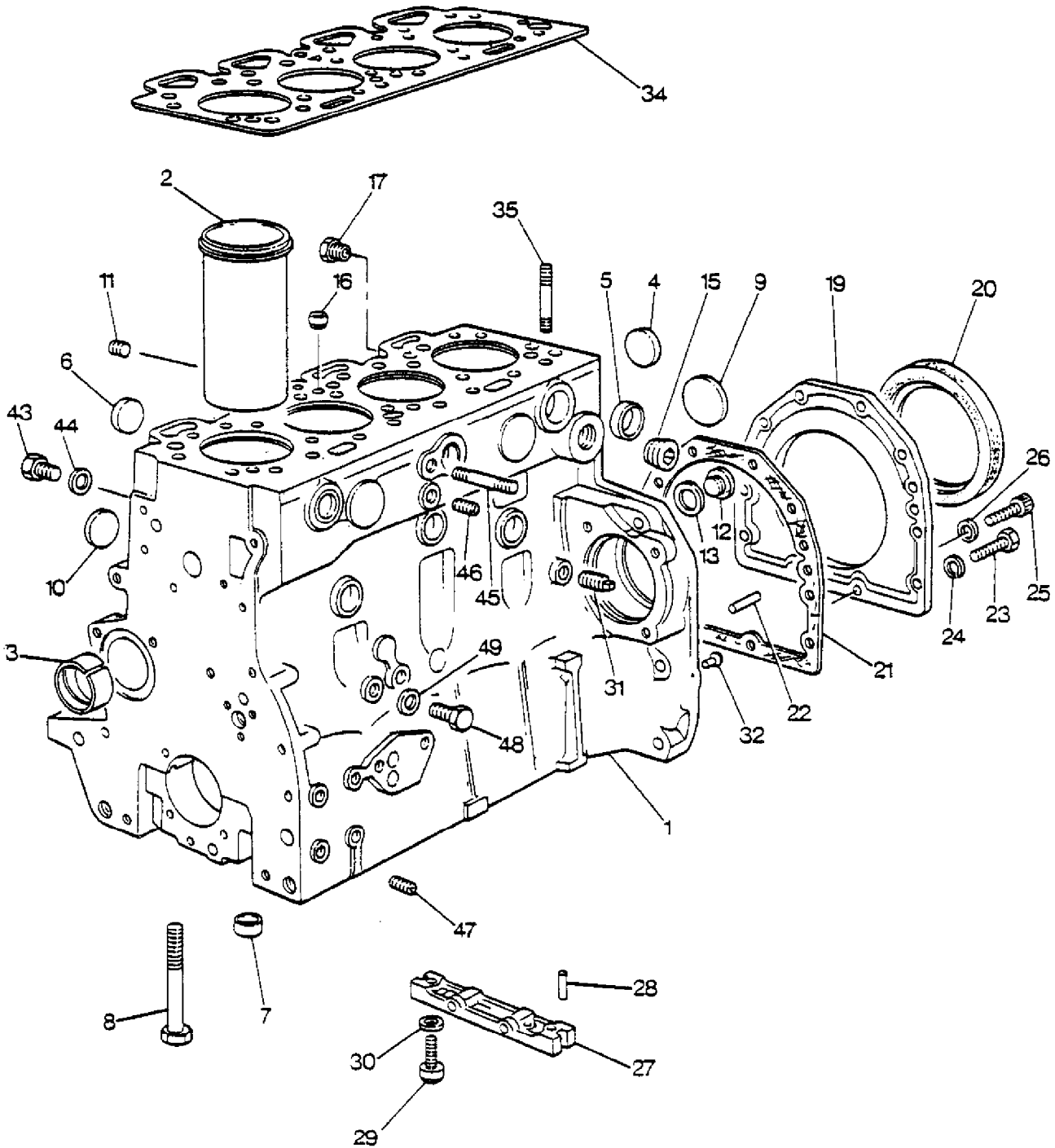


SYLINTERIRYHMÄ
CYLINDERBLOCK
CYLINDER BLOCK
ZYLINDERBLOCK
BLOC CYLINDRES

3-0050-025-A



AGCO Corporation
Parts List Report

Massey Ferguson (Europe)
MF 430 COMBINE
Page 2 - CYLINDER BLOCK - A4.248

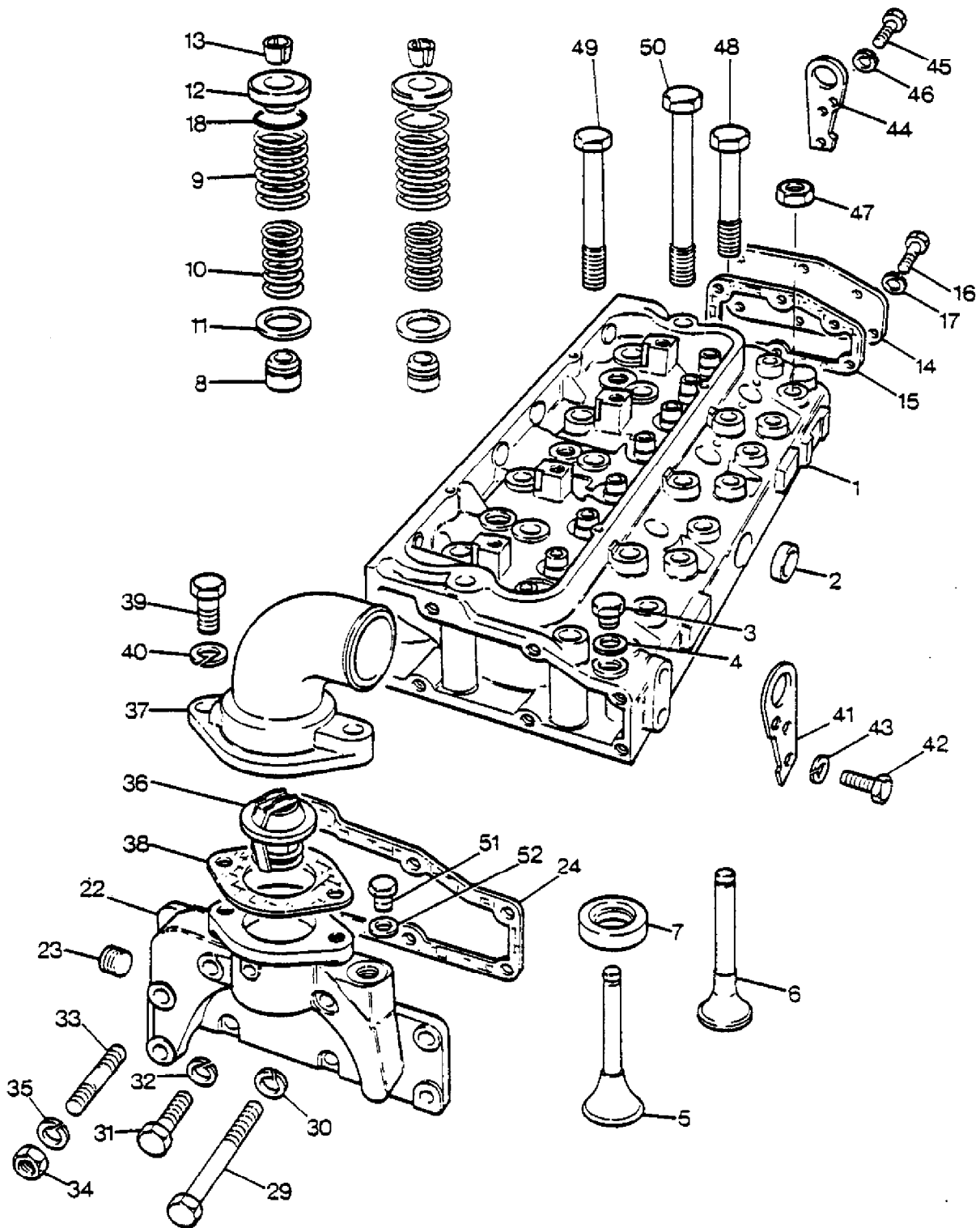
Item	Part Number	Qty	Part Description	Comments
1	61662	1	Kit,Cyl.Block	
2	31358343	X	Liner	(A) 1
3	31134132	1	Bush	1
4	0650563	2	Plug	1
5	0650563	6	Plug	1
6	0650618	4	Plug	1
7	33142111	10	Thimble	1
8	32166329	10	Bolt	1
9	32416105	1	Plug	
10	0650577	4	Plug	
11	32114501	1	Plug	
12	0650582	1	Plug	
13	0920130	1	Washer	
15	0650588	2	Plug	
16	32417134	1	Plug	
17	32161114	1	Plug	
19	37513851	1	Housing	
20	2415391	1	Seal	
21	36817157	1	Joint	
22	0350009	2	Dowel	
23	0746211	10	Bolt	
24	0920003	10	Washer	
25	2172530	2	Capscrew	
26	33112111	2	Washer	
27	36277831	1	Bridge Piece	
28	32811408	2	Joint	
29	2176369	2	Screw	
30	0920521	2	Washer	
31	0650593	1	Plug	
32	32186127	1	Pin	
34	36812349	1	Head Gasket	
35	32526312	2	Stud	
43	0746451	1	Screw	
44	0920155	1	Washer	
45	0826233	1	Stud	
46	32114116	1	Plug	

47	32114481	6	Plug
48	0746451	1	Screw
49	0920155	1	Washer

(A)
SLIP FIT

SYLINTERIN KANSI
 CYLINDERLOCK
 CYLINDER HEAD
 ZYLINDERKOPF
 CULASSE

3-0075-027-A



AGCO Corporation
Parts List Report

Massey Ferguson (Europe)
MF 430 COMBINE
Page 4 - CYLINDER HEAD

Item	Part Number	Qty	Part Description	Comments
1	A5BD1135	1	Cylinder Head	
2	0650563	1	Plug	1
3	0650203	1	Plug	1
4	2411107	1	Washer	1
5	31431315	4	Valve Inlet	1
5	31431312	X	Valve Inlet	Thickness: .08 MM
5	31431313	X	Valve Inlet	Thickness: .38 MM
5	31431314	X	Valve Inlet	Thickness: .75 MM
6	31431851	4	Valve Exhaust	
6	31431411	X	Valve Exhaust	Thickness: .08 MM
6	31431412	X	Valve Exhaust	Thickness: .38 MM
6	31431413	X	Valve Exhaust	Thickness: .75 MM
7	33152153	4	Insert	1
8	33817117	8	Seal	1
8	33817118	X	Seal	1
				Thickness: .38 MM
8	33817119	X	Seal	1
				Thickness: .75 MM
9	0780273	8	Spring	1
10	0780272	8	Spring	1
11	33123117	8	Washer	1
12	33423147	8	Cap	1
13	33173108	16	Cotter	(A)
				1
14	37553142	1	Cover	1
15	36851409	1	Joint	1
16	0746254	6	Setscrew	1
17	0920053	6	Washer	
18	2415B201	4	O Ring	
22	37766622	1	Housing	
23	2431154	1	Plug	
24	36853514	1	Joint	
29	0096237	1	Bolt	
30	0920053	1	Washer	
31	0746255	2	Setscrew	
32	0920053	2	Washer	
33	0826434	1	Stud	
34	0576051	1	Nut	
35	0920054	1	Washer	

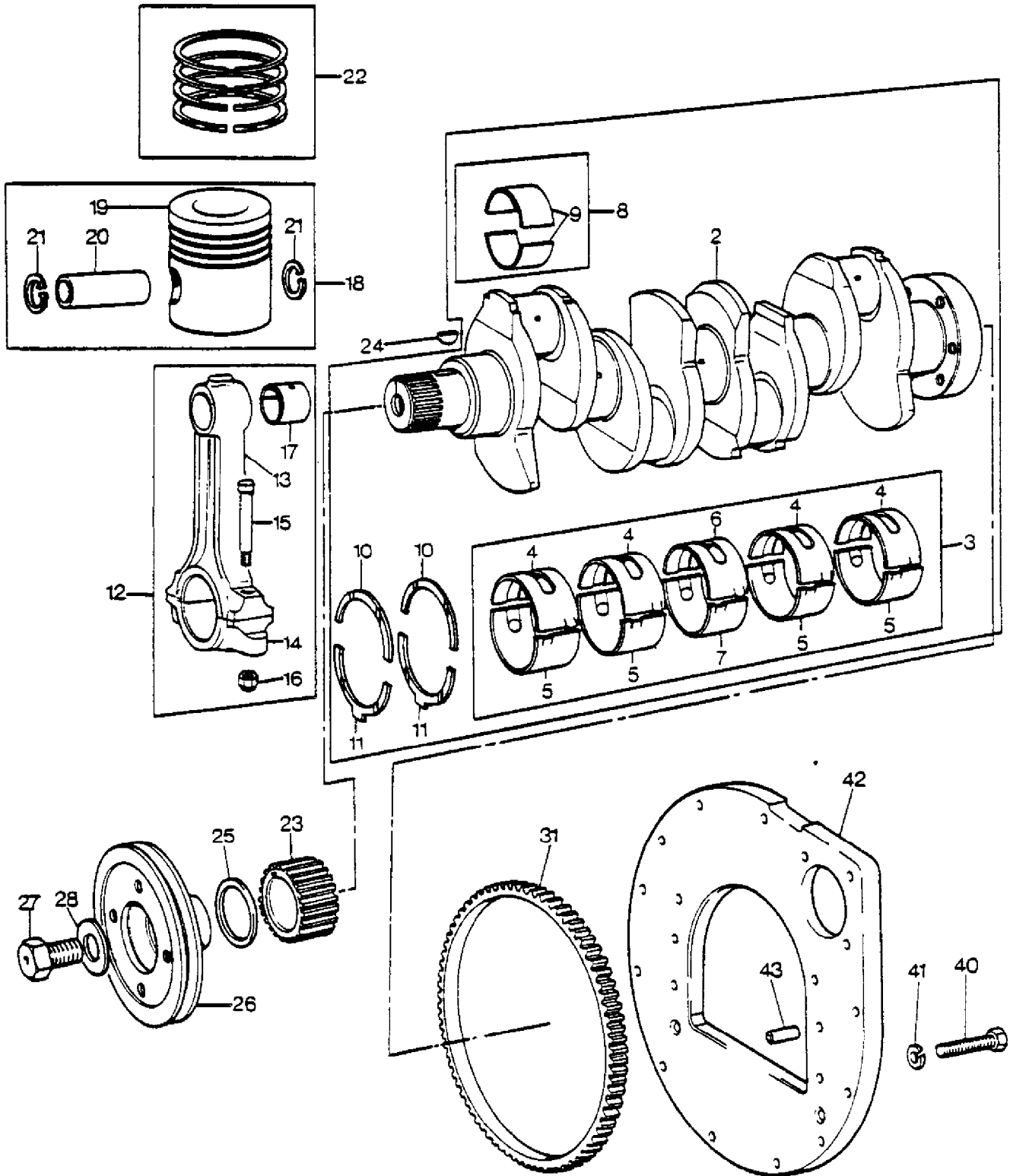
36	2485666	1	Thermostat
37	37735732	1	Connection
38	36834147	1	Joint
39	0096433	2	Bolt
40	0920054	2	Washer
41	36177111	1	Plate
42	0746453	2	Setscrew
43	0920054	2	Washer
44	36177111	1	Plate
45	0096433	2	Bolt
46	0920054	2	Washer
47	33221316	2	Nut
48	32181424	6	Screw
49	32181425	12	Screw
50	32181426	2	Screw
51	0650203	1	Plug
52	2411157	2	Washer

(A)

SERVICED IN PAIRS

KAMPIKONEISTO
VEVMEKANISM
CRANKSHAFT
KURBELWELLE
VILEBREQUIN

3-0080-026-A



AGCO Corporation
Parts List Report

Massey Ferguson (Europe)
MF 430 COMBINE
Page 8 - CRANKSHAFT - A4.248

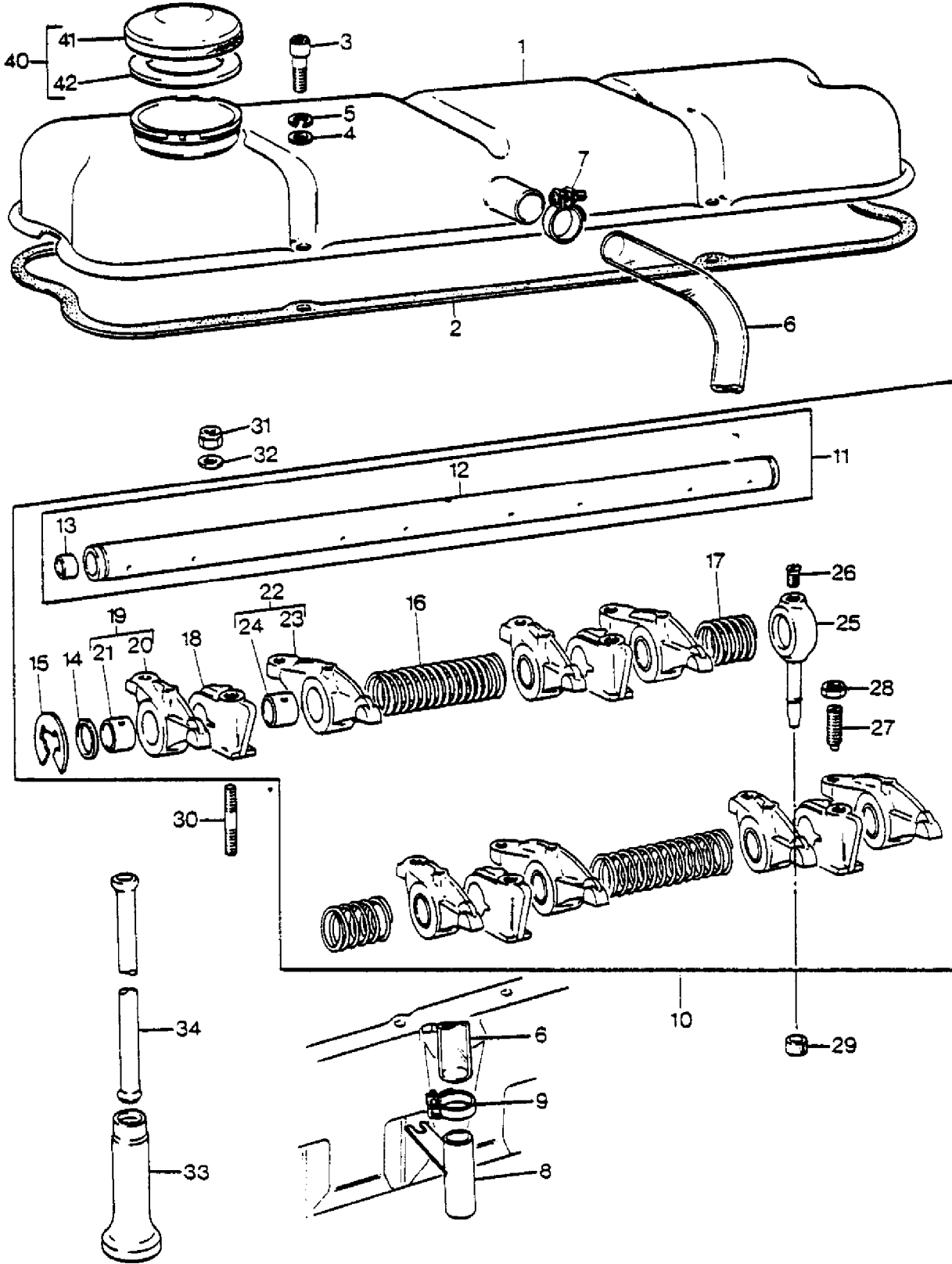
Item	Part Number	Qty	Part Description	Comments
1	94433	1	Kit, Crankshaft	
2		1	Crankshaft	1 Not Serviced, Order REF. 1
3	81558	1	Kit, Bearing	(A) 1
3	81558A	X	Kit, Bearing	(A) 1 Thickness: -.25 MM
3	81558B	X	Kit, Bearing	(A) 1 Thickness: -.50 MM
3	81558C	X	Kit, Bearing	(A) 1 -.75 MM
4		4	Bearing	Not Serviced, Order REF. 3 3
5		4	Bearing	Not Serviced, Order REF. 3 3
6		1	Bearing	Not Serviced, Order REF. 3 3
7		1	Bearing	Not Serviced, Order REF. 3 3
8	85042	1	Kit, Bearing	(A) 1
8	85042A	X	Kit, Bearing	(A) 1 Thickness: -.25 MM
8	85042B	X	Kit, Bearing	(A) 1 Thickness: -.50 MM
8	85042C	X	Kit, Bearing	(A) 1 Thickness: -.75 MM
9		2	Bearing	Not Serviced, Order 8
10	31137311	2	Washer	1
10	31137312	X	Thrust Washer	1 Thickness: .19 MM

11	31137321	2	Washer	1
11	31137322	X	Thrust Washer	1
				Thickness: .19 MM
12	M7BJ0015	4	Kit, Conrod	
13		1	Conrod	12
				Not Serviced, Order REF. 12
14		1	Cap	12
				Not Serviced, Order REF. 12
15	32762116	2	Bolt	12
16	33221321	2	Nut	12
17	31134123	1	Bush	12
18	U5LU0005	4	Kit, Piston	(C)
18	U5LP0009	4	Kit, Piston	(B)
19		1	Piston	18
				Not Serviced, Order REF. 18
20		1	Pin	18
				Not Serviced, Order REF. 18
21	0170002	2	Circlip	18
22	41158022	X	Kit, Piston Ring	
23	31171681	1	Gear,Crankshaft	
24	0500012	1	Woodruff Key	
25	2411151	1	Washer	
26	31148711	1	Pulley	
27	32162319	1	Screw	
28	33125124	1	Washer	
31	0410236	1	Starter Ring	
40	0746456	6	Screw	
41	0920054	6	Washer	
42	37147995	1	Plate	
43	0350025	2	Dowel	

(A)
PRE-FINISHED
(B)
PRE-TOPPED
(C)
UNTOPPED

VENTIILIKONEISTO
 VENTILMEKANISM
 CYLINDER HEAD COVER
 ZYLINDERKOPFDECKEL
 CACHE CULBUTEURS

3-0085-027-A



AGCO Corporation
Parts List Report

Massey Ferguson (Europe)

MF 430 COMBINE

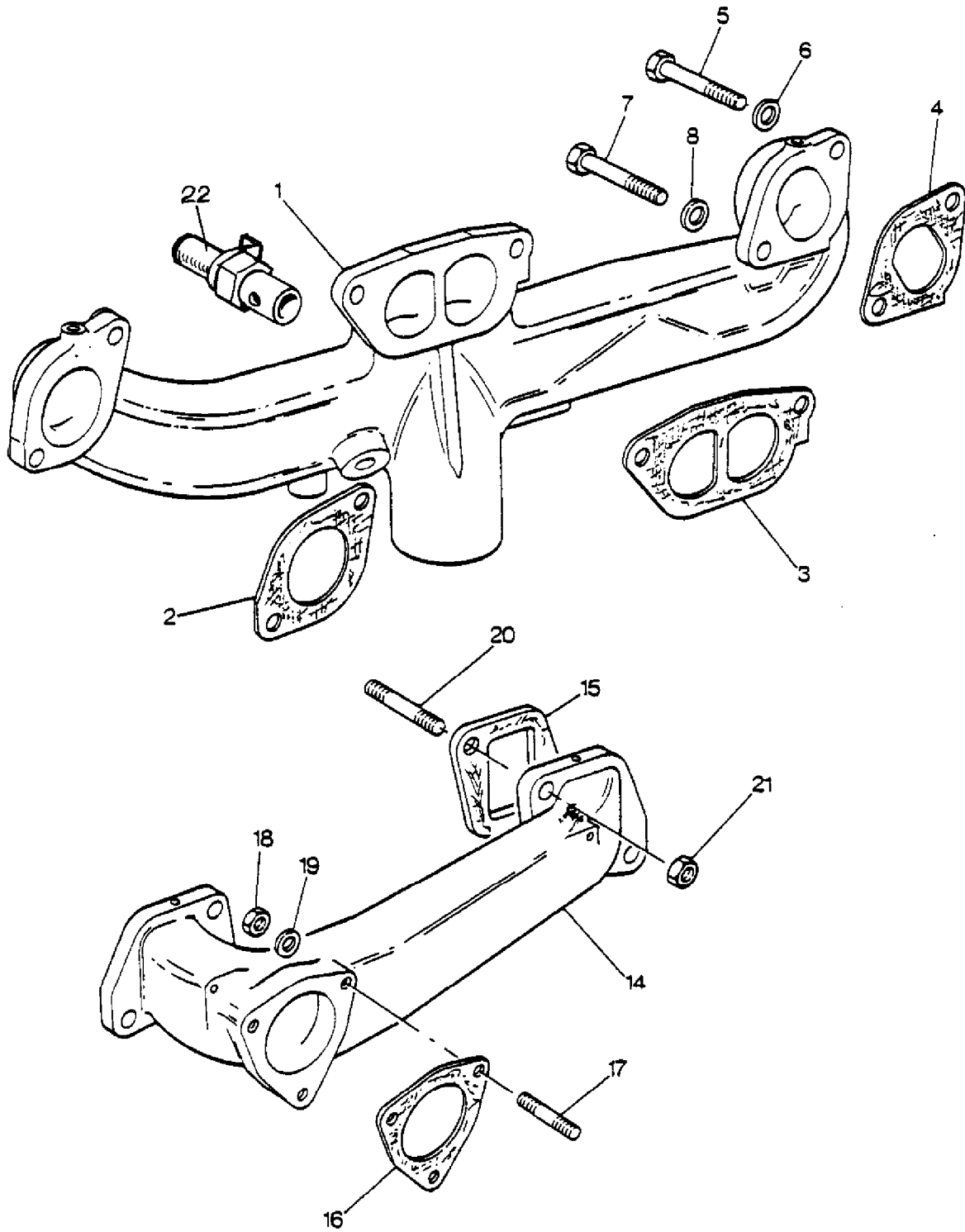
Page 12 - CYLINDER HEAD COVER - A4.248

Item	Part Number	Qty	Part Description	Comments
1	37188141	1	Cyl.Head Cover	
2	36811131	1	Joint	
3	0746052	4	Bolt	
4	0920002	4	Washer	
5	0920052	4	Washer	
6	33872516	1	Pipe,Breather	
7	0180063	1	Clip	
8	35731144	1	Pipe,Breather	
9	0180063	1	Clip	
10	88677	1	Rocker Shaft	
11	83449	1	Rocker Shaft	10
12		1	Shaft	11
				Not Serviced, Order REF. 11
13	0650507	2	Plug	11
14	33117415	2	Washer	10
15	0170151	2	Circlip	10
16	31744123	2	Spring	10
17	31743108	2	Spring	10
18	37521332	4	Bracket	10
19	41151421	4	Lever	10
				Right Hand
20		1	Lever	19
				Not Serviced, Order 41151421
21	2511425	1	Bush	19
22	41151419	1	Lever	10
				Left Hand
23		1	Lever	22
				Not Serviced, Order 41151419
24	2511425	1	Bush	22
25	35511111	1	Pipe	10
26	0726504	1	Setscrew	10
27	0720579	8	Screw	10
28	0576052	8	Nut	10
29	33811113	1	Olive	
30	0826628	4	Stud	
31	2211284	4	Nut	
32	0920006	4	Washer	

33	31434163	8	Tappet	
34	31434307	8	Pushrod	
40	2487845	1	Cap	
41		1	Cap	40
				Not Serviced, Order REF. 40
42	24870001	1	Joint	40

IMU- JA POISTOSARJA
INSUGNINGS- OCH AVLOPSGRENÖR
AIR INDUCTION AND EXHAUST SYSTEM
LUFTANSAUGUNG UND AUSPUFF
ADMISSION D'AIR ET AUSPUFF

3-0305-016-A



AGCO Corporation
Parts List Report

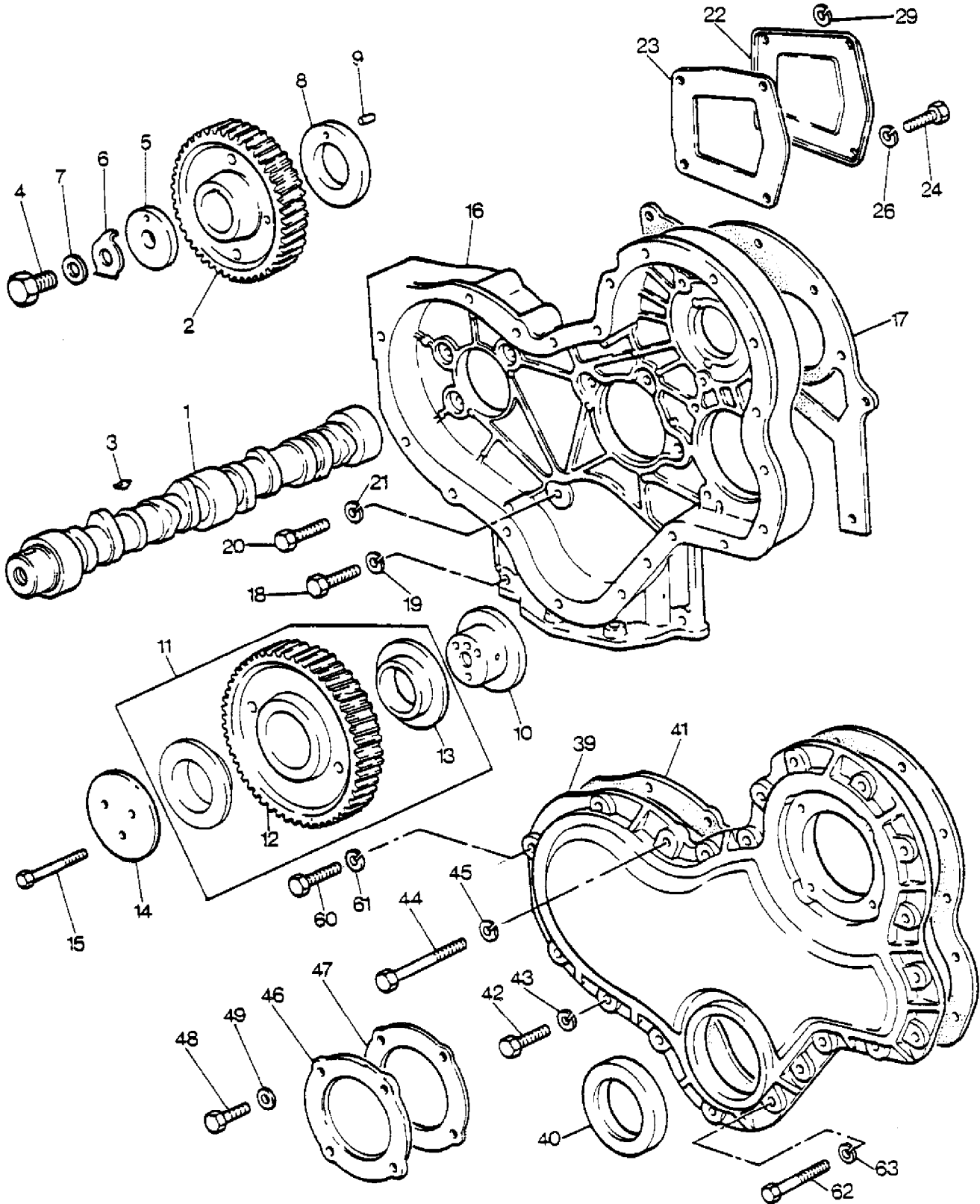
Massey Ferguson (Europe)
MF 430 COMBINE

Page 14 - AIR INDUCTION AND EXHAUST SYSTEM - A4.248

Item	Part Number	Qty	Part Description	Comments
1	3777E011	1	Induct.Manifold	
2	36866462	1	Joint	
3	36862133	1	Joint	
4	36862131	1	Joint	
5	0096439	1	Bolt	
6	0920054	1	Washer	
7	0746424	5	Bolt	
8	0920054	5	Washer	
14	37781321	1	Exhaust Manifold	
15	36862134	2	Gasket	
16	36822111	1	Joint	
17	0826439	3	Stud	
18	2188135	3	Nut	
19	0920005	3	Washer	
20	0826439	4	Stud	
21	2188135	4	Nut	
22	2666108	1	Intake Heater	

HAMMASPYÖRÄKOTELO
 KUGGHJULSKÅPA
 TIMING GEAR
 STEUERUNG
 DISTRIBUTION

3-0100-024-A



AGCO Corporation
Parts List Report

Massey Ferguson (Europe)
MF 430 COMBINE
Page 16 - TIMING GEAR - A4.248

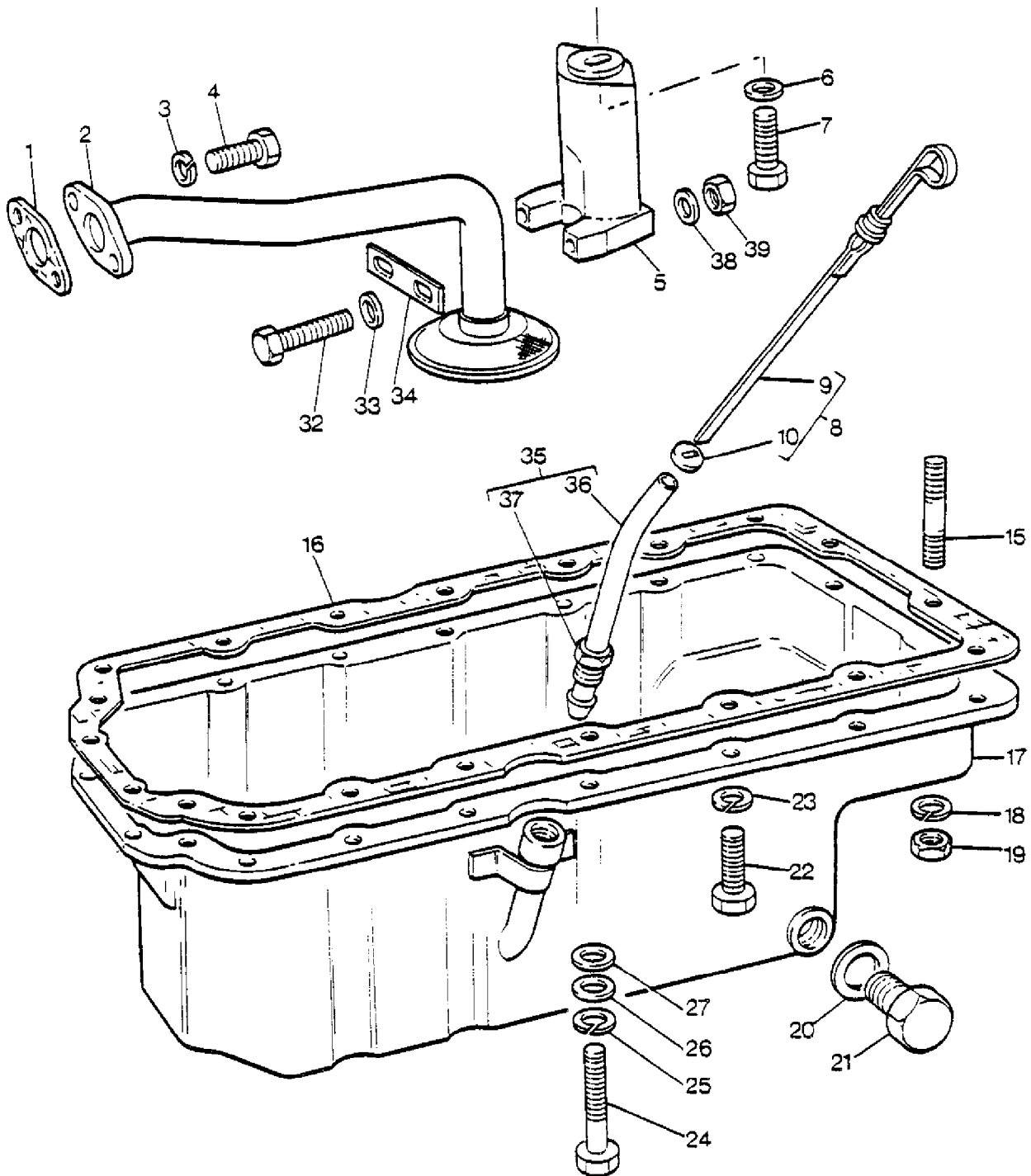
Item	Part Number	Qty	Part Description	Comments
1	31415292	1	Camshaft	
2	31171353	1	Gear,Camshaft	
3	0500012	1	Woodruff Key	
4	2182122	1	Setscrew	
5	33153128	1	Washer	
6	31733121	1	Washer	
7	33115408	1	Washer	
8	33153121	1	Washer	
9	2116053	1	Pin	
10	33426161	1	Hub	
11	41115023	1	Idler	
12		1	Gear	11 Not Serviced, Order 41115023
13	0050345	2	Bush	11
14	0941082	1	Plate	
15	0096439	3	Bolt	
16	37161901	1	Timing Case	
17	36814127	1	Joint	
18	0746255	9	Setscrew	
19	0920053	9	Washer	
20	0746211	1	Bolt	
21	0920053	1	Washer	
22	37556146	1	Plate	
23	36861428	1	Joint	
24	0748503	4	Screw	
25	2238153	4	Nut	
39	37166411	1	Timinggear Cover	38
40	32116	1	Seal	38
41	36813138	1	Joint	
42	0746255	12	Setscrew	
43	0920053	12	Washer	
44	0096238	4	Bolt	
45	0920053	4	Washer	
46	37556117	1	Cover	
47	36825107	1	Joint	
48	0746252	4	Screw	
49	2411152	4	Washer	

60	0746454	1	Setscrew
61	0920054	1	Washer
62	0746255	3	Setscrew
63	0920053	3	Washer

18

ÖLJYPOHJA
OLJETRÄG
LUBRICATING OIL SUMP
OELWANNE
CARTER D'HUILE

3-0440-025-A



AGCO Corporation
Parts List Report

Massey Ferguson (Europe)

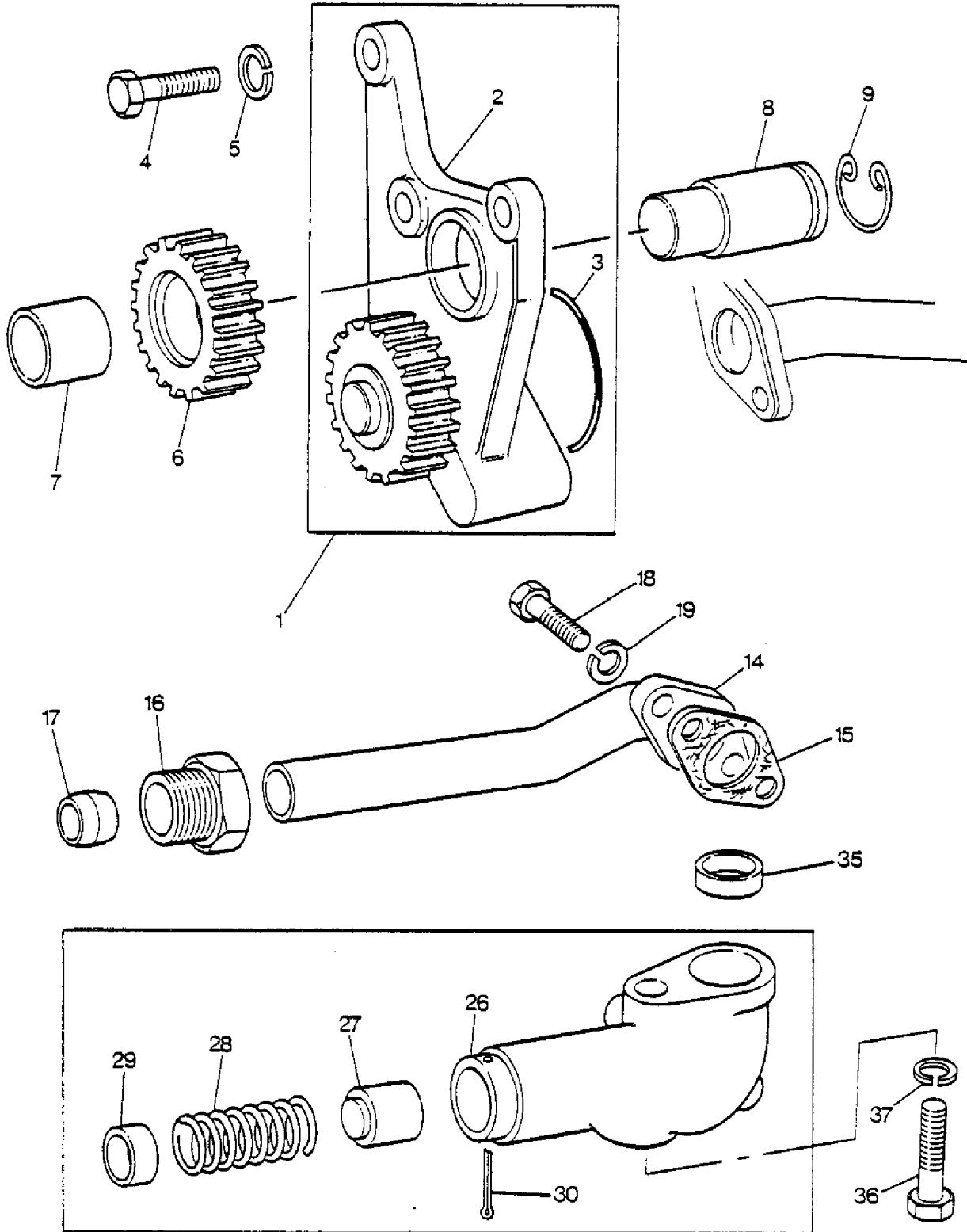
MF 430 COMBINE

Page 18 - LUBRICATING OIL SUMP - A4.248

Item	Part Number	Qty	Part Description	Comments
1	36832122	1	Joint	
2	35721726	1	Pipe,Oil	
3	0920053	2	Washer	
4	0746254	2	Setscrew	
5	3824A001	1	Bracket	
6	0330807	1	Spacer	
7	0746211	1	Bolt	
8	31788354	1	Dipstick	
9		1	Dipstick	8 Not Serviced, Order REF . 8
10	33812108	1	Washer	8
15	0826214	2	Stud	
16	36815715	1	Joint	
17	37171131	1	Sump	
18	0920053	2	Washer	
19	0576002	2	Nut	
20	2411260	2	Washer	
21	2487004	2	Plug	
22	0746253	17	Screw	
23	0920053	17	Washer	
24	0746211	1	Bolt	
25	0920053	1	Washer	
26	0920003	1	Washer	
27	0920460	1	Spacer	
32	0096040	2	Screw	
33	0920002	2	Washer	
34	3611V001	1	Clip	
35	35772641	1	Tube	
36		1	Tube	35 Not Serviced, Order REF . 35
37	33533103	1	Nut	35
38	0920002	2	Washer	
39	0576002	2	Nut	

VOITELUÖLJYPUMPPU
 OLJEPUMP
 LUBRICATING OIL PUMP
 DELPUMPE
 POMPE A HUILE

3-0450-001-A



AGCO Corporation
Parts List Report

Massey Ferguson (Europe)

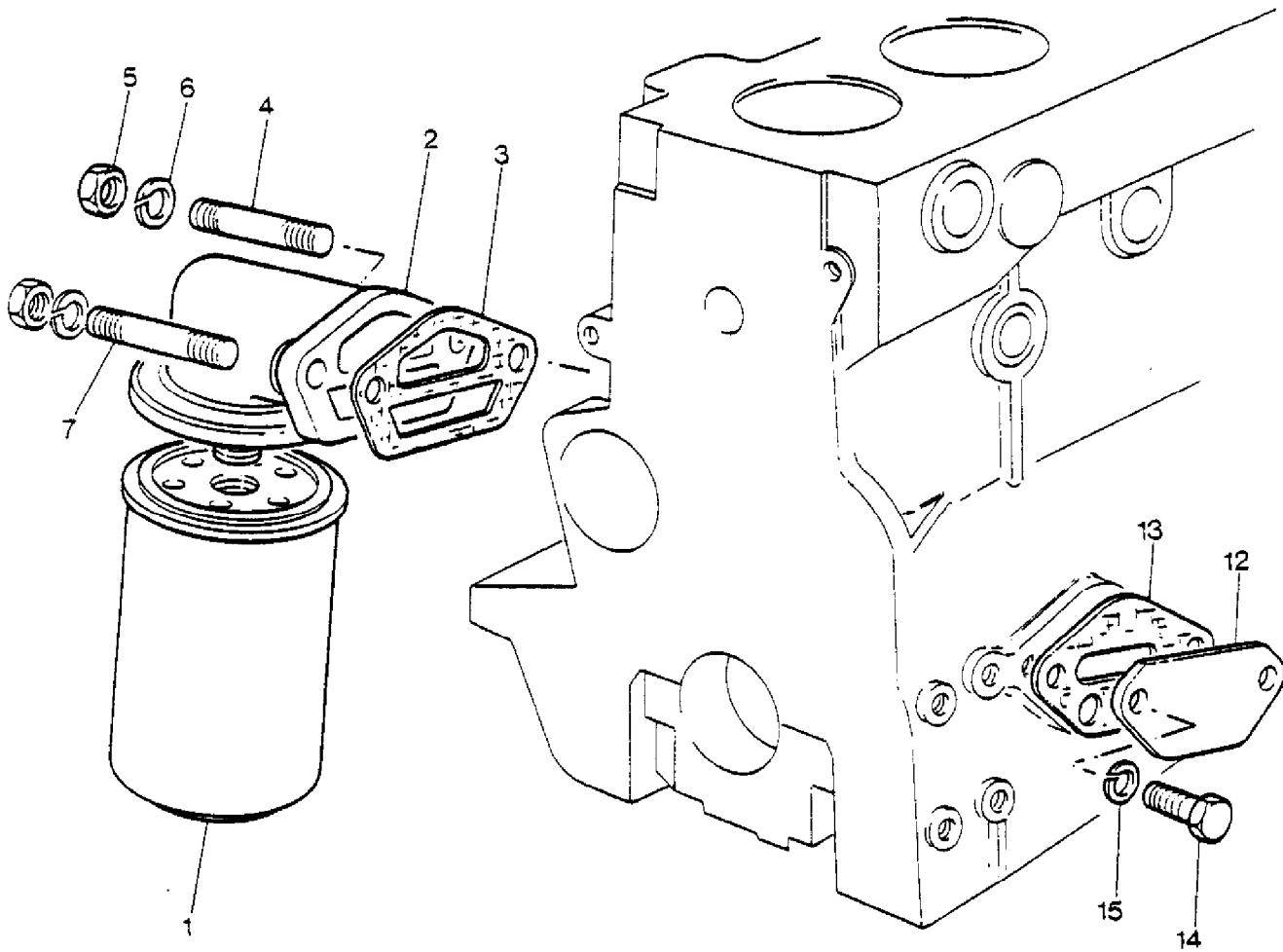
MF 430 COMBINE

Page 20 - LUBRICATING OIL PUMP - A4.248

Item	Part Number	Qty	Part Description	Comments
1	41314054	1	Pump	
2		1	Pump	1 Not Serviced, Order REF . 1
3	2415811	1	O Ring	1
4	0746255	3	Setscrew	
5	0920053	3	Washer	
6	31171461	1	Gear	
7	2511432	1	Bush	
8	32716117	1	Shaft	
9	2722A206	1	Circlip	
14	35714104	1	Pipe,Oil	
15	0490355	1	Joint	
16	33532121	1	Union	
17	0560244	1	Olive	
18	0746052	2	Bolt	
19	0920052	2	Washer	
25	41371078	1	Relief Valve	
26		1	Housing	25 Not Serviced, Order REF . 25
27	32712715	1	Plunger	25
28	31742128	1	Spring	25
29	33157122	1	Cap	25
30	0610012	1	Pin	25
35	33137408	1	Thimble	
36	0096438	1	Bolt	
37	0920054	1	Washer	

VOITELUÖLJYN SUODATIN
SMÖRJOLJEFILTER
LUBRICATING OIL FILTER
OELFILTER
FILTER A HUILE

3-0445-023-A



AGCO Corporation
Parts List Report

Massey Ferguson (Europe)

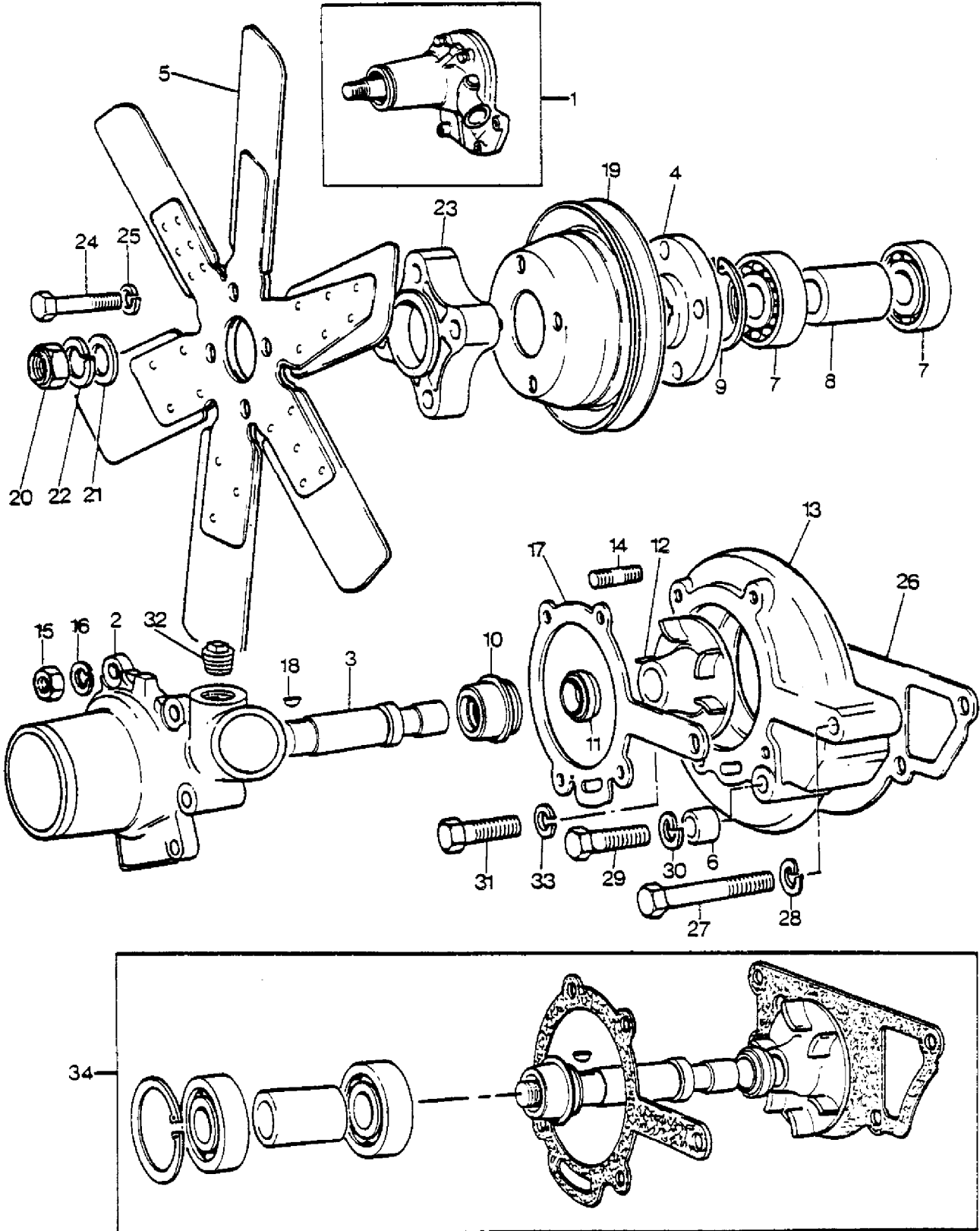
MF 430 COMBINE

Page 22 - LUBRICATING OIL FILTER - A4.248

Item	Part Number	Qty	Part Description	Comments
1	2654403	1	Oil Filter	
2	41321031	1	Filter Head	
3	36862517	1	Joint	
4	0826601	1	Stud	
5	0576054	2	Nut	
6	0920055	2	Washer	
7	0826608	2	Stud	
12	36231412	1	Plate	
13	36862523	1	Joint	
14	0746651	2	Screw	
15	0920055	2	Washer	

JÄÄHDYTYSPPUMPPU
 KYLVATTENPUMP
 WATER PUMP
 WASSERPUMPE
 POMPE A EAU

3-0275-025-A



AGCO Corporation
Parts List Report

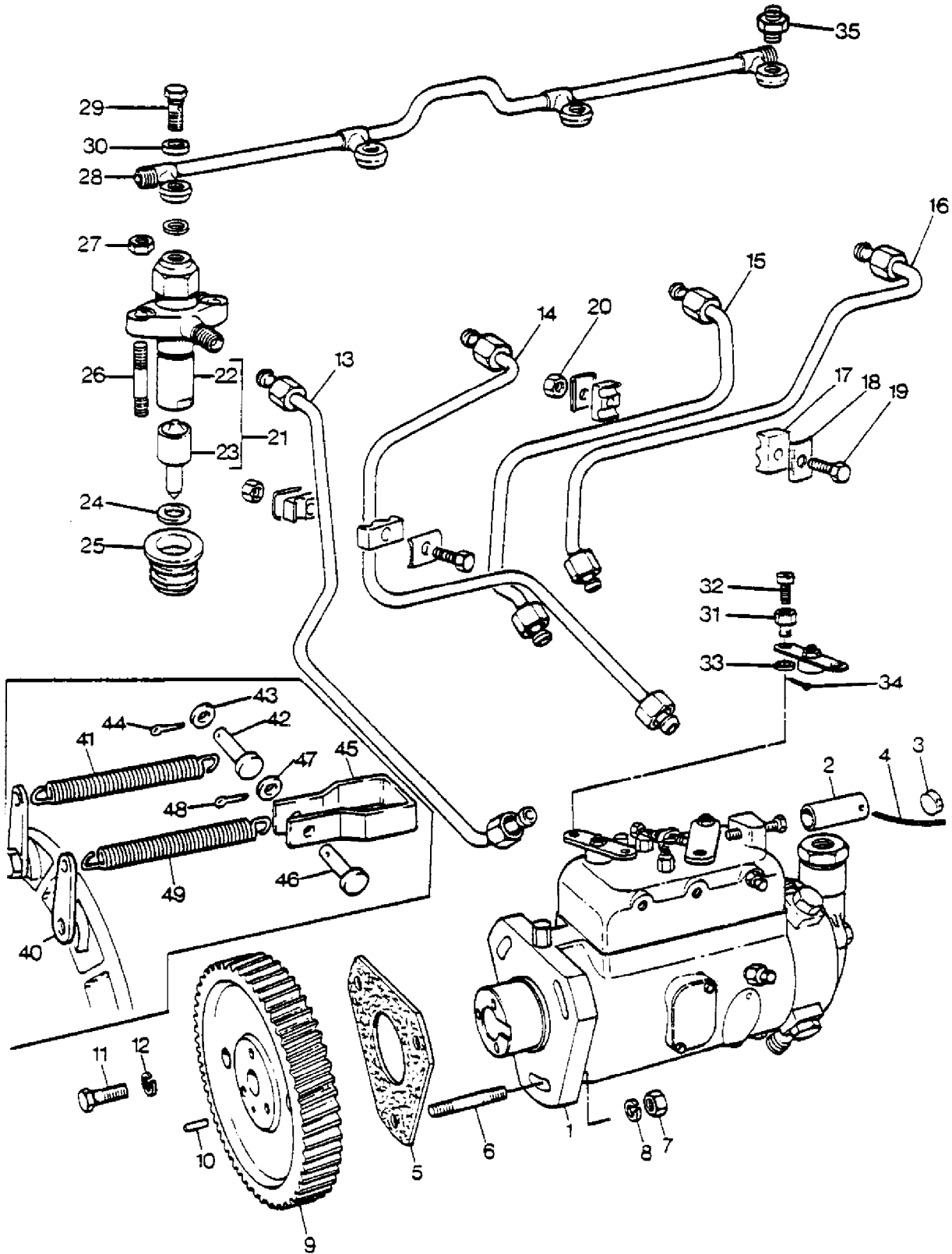
Massey Ferguson (Europe)
MF 430 COMBINE
Page 24 - WATER PUMP - A4.248

Item	Part Number	Qty	Part Description	Comments
1	41313201	1	Pump	
2		1	Body	1 Not Serviced, Order 41313212
3		1	Shaft	1 Not Serviced, Order 89034
4	33476111	1	Hub	
5	31257002	1	Fan	
6	0920465	1	Spacer	
7		2	Bearing	1 Not Serviced, Order 89034
8		1	Spacer	1 Not Serviced, Order 89034
9	0170040	1	Circlip	1
10	2415216	1	Seal	1
11	2417208	1	Seal	1
12		1	Impeller	1 Not Serviced, Order 89034
13	37711662	1	Body	
14	0826212	4	Stud	
15	0576002	4	Nut	
16	0920053	4	Washer	
17	36866724	1	Joint	
18	0500006	1	Woodruff Key	
19	31146013	1	Pulley,Waterpump	
20	0576007	1	Nut	
21	0920009	1	Washer	
22	0920058	1	Washer	
23	37413591	1	Spacer	
24	0096234	4	Bolt	
25	0920053	4	Washer	
26	36867157	1	Joint	
27	0096439	2	Bolt	
28	0920054	2	Washer	
29	0096440	1	Screw	
30	0920054	1	Washer	
31	0096443	1	Bolt	
32	2431154	1	Plug	

33	0920054	1	Washer
34	89034	X	Kit, Repair

RUIKUTUSPUMPPU
INSPRUTNINGSPUMP
FUEL INJECTION EQUIPMENT
EINSPRITZANLAGE
SYSTEME D'INJECTION

3-0400-028-A



AGCO Corporation
Parts List Report

Massey Ferguson (Europe)

MF 430 COMBINE

Page 26 - FUEL INJECTION EQUIPMENT - A4.248

Item	Part Number	Qty	Part Description	Comments
1	38371	1	Injection Pump	(A)
2	2644951	1	Sleeve	
3	31718104	1	Seal	
4	31718105	1	Wire	
5	0490685	1	Joint	
6	0826277	3	Stud	
7	0576002	3	Nut	
8	0920053	3	Washer	
9	31171524	1	Gear,Fuel Pump	
10	2116078	1	Dowel	
11	0746254	3	Setscrew	
12	0920053	3	Washer	
13	35343025	1	Injection Pipe	
14	35343026	1	Injection Pipe	
15	35343027	1	Injection Pipe	
16	35343028	1	Injection Pipe	
17	36844116	4	Bridle	
18	36511123	4	Plate	
19	0726260	2	Bolt	
20	0571350	2	Nut	
21	2645632	4	Atomiser	
22	2646466	1	Holder	21
23	2646826	1	Nozzle	21
24	0921173	4	Washer	
25	3381P003	4	Seal	
26	0826243	8	Stud	
27	0576002	8	Nut	
28	3558X011	1	Leak-Off Pipe	
29	0095315	3	Banjo Bolt	
30	0921176	8	Washer	
31	32726528	1	Nipple	
32	2231226	1	Screw	
33	0920024	1	Washer	
34	0610042	1	Pin	
35	0201526	1	Union	
40	0520463	2	Bracket	
41	0780268	1	Spring	

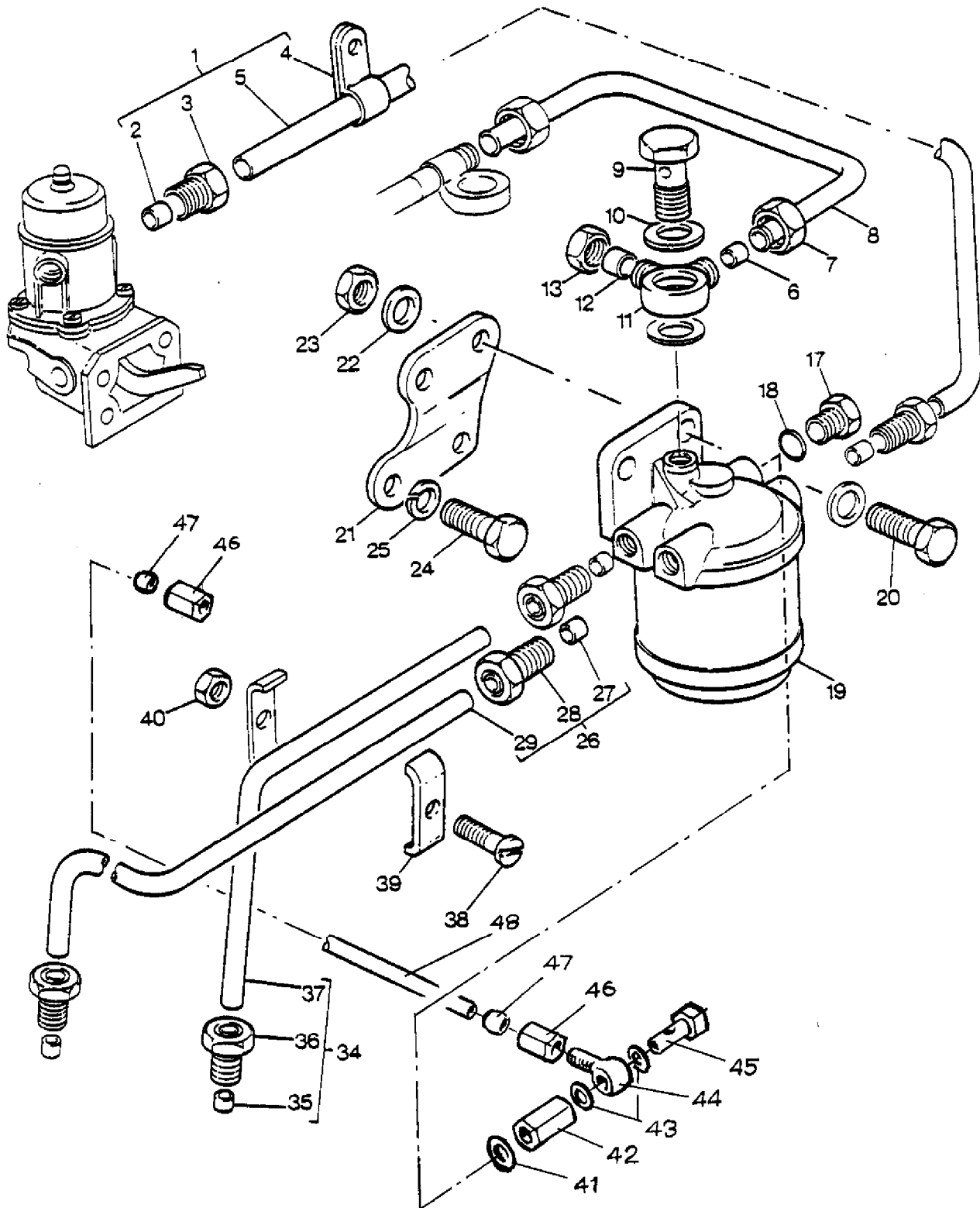
42	0610895	1	Pin
43	0920446	1	Washer
44	0610042	1	Pin
45	0996522	1	Fork
46	0610877	1	Pin
47	2131040	1	Washer
48	0610042	1	Pin
49	0780099	1	Spring

(A)

SERVICED BY C.A.V.

POLTTOAINEEN PUHDISTIMET PUTKINEEN
 BRÄNSLEFILTER MED RÖR
 FUEL FILTERS AND PIPES
 KRAFTSTOFFILTER UND LEITUNGEN
 FILTRE A CARBURANT ET TUYAUTERIES

3-0390-018-A



AGCO Corporation
Parts List Report

Massey Ferguson (Europe)

MF 430 COMBINE

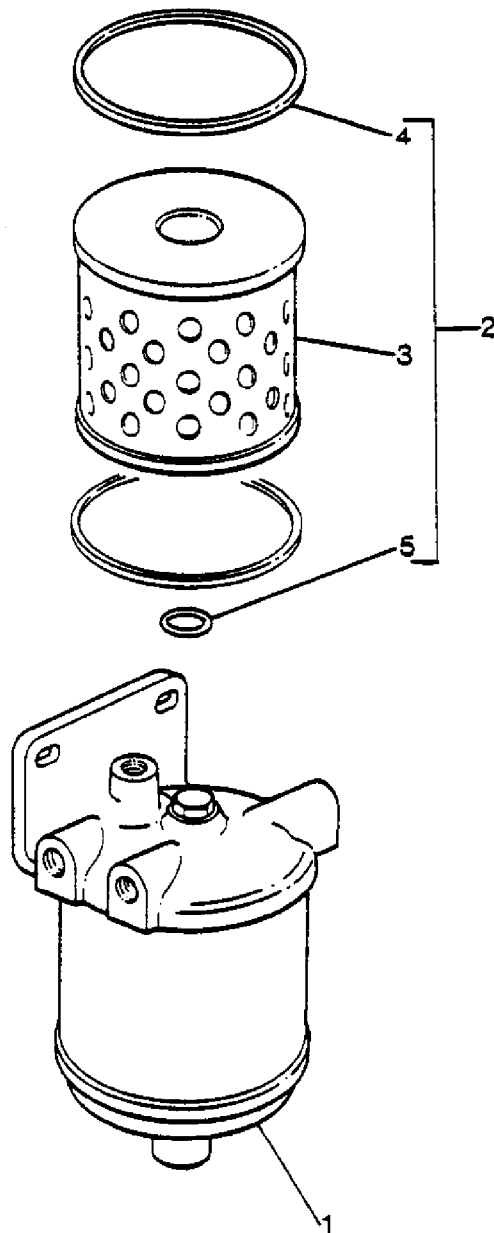
Page 28 - FUEL FILTERS AND PIPES - A4.248

Item	Part Number	Qty	Part Description	Comments
1	4124P002	1	Fuel Pipe	
2	33811113	2	Olive	1
3	33532128	2	Nut	1
4	0180173	1	Clip	1
5		1	Tube	1
				Not Serviced, Order REF. 1
6	33811112	2	Olive	
7	33225412	2	Union Nut	
8	34236123	1	Pipe	
9	0095344	1	Bolt	
10	0920146	2	Washer	
11	0201467	1	Connection	
12	33811113	1	Olive	
13	33225413	1	Union Nut	
17	0650204	1	Plug	
18	0920154	1	Washer	
19	2656613	1	Fuel Filter	See Page/Reference Number 30/1
20	0096431	2	Bolt	
21	0920004	2	Washer	
22	36548441	1	Bracket	
23	0920054	2	Washer	
24	0746453	2	Setscrew	
25	0920054	2	Washer	
26	35845039	1	Pipe,Fuel	
27	33811113	2	Olive	26
28	33532128	2	Nut	26
29		1	Tube	26
				Not Serviced, Order REF. 26
34	35846057	1	Pipe,Fuel	
35	33811113	2	Olive	34
36	33532128	2	Nut	34
37		1	Tube	34
				Not Serviced, Order REF. 34
38	0726264	1	Screw	
39	36516118	2	Clip	
40	0571350	1	Nut	
41	2411141	1	Washer	

42	2658207	1	Non Return Valve
43	0920127	2	Washer
44	0201099	1	Connection
45	0095332	1	Bolt
46	33225412	2	Union Nut
47	33811112	2	Olive
48	4126023	1	Pipe

**POLTTOAINESUODATIN
BRÄNSLEFILTER
FUEL FILTER
KRAFTSTOFFILTER
FILTRE A CARBURANT**

3-0393-005-A



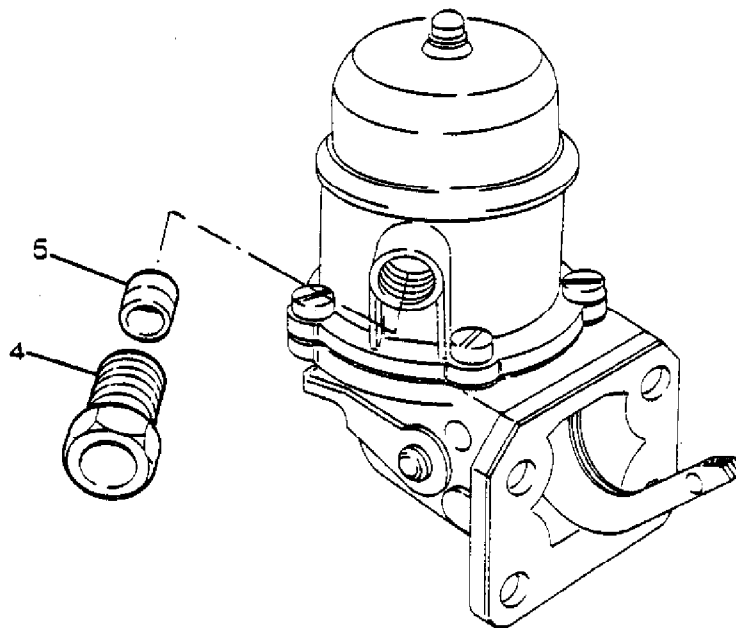
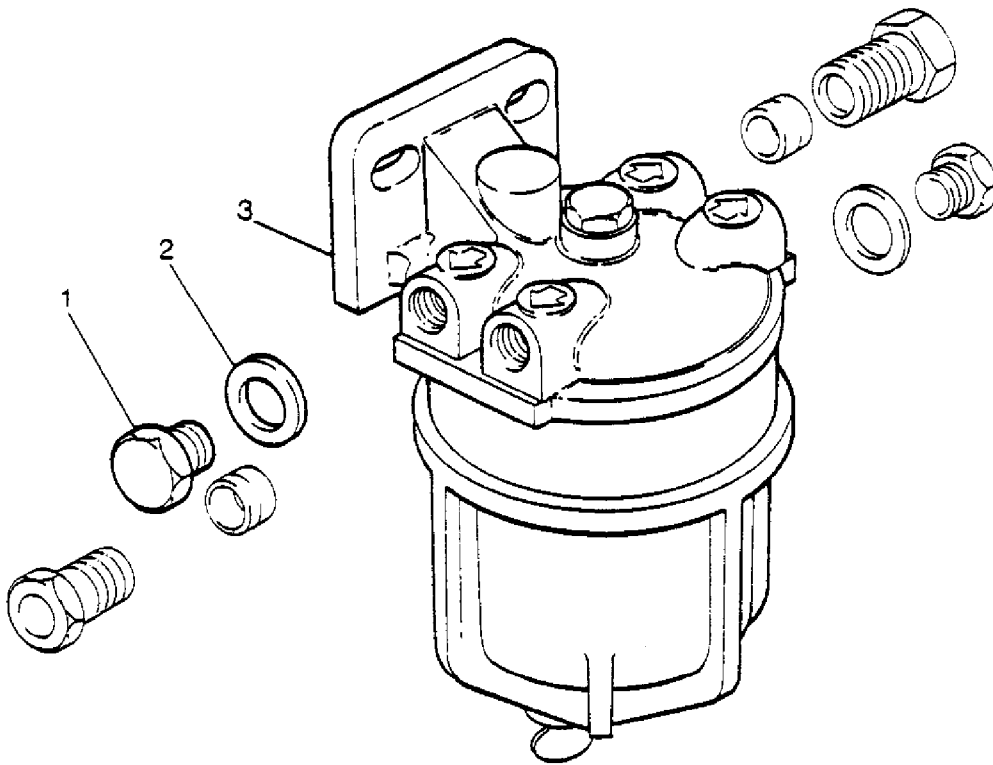
AGCO Corporation
Parts List Report

Massey Ferguson (Europe)
MF 430 COMBINE
Page 30 - FUEL FILTER - A4.248

Item	Part Number	Qty	Part Description	Comments
1	2656613	1	Fuel Filter	See Page/Reference Number 28/19
2	26560017	1	Kit, Element	1 Alternative 26561117
2	26561117	1	Kit, Element	1 Alternative 26580017
3		1	Element	2 Not Serviced, Order REF. 1
4	0490786	2	Joint	1
5	26560014	1	Seal	1

POLTTOAINEEN ESISUODATN
BRÄNSLEFÖRFILTER
PRE-FUEL FILTER
VORKRAFTSTOFFILTER
PRE-FILTRE A CARBURANT

3-0394-001-A



AGCO Corporation
Parts List Report

Massey Ferguson (Europe)

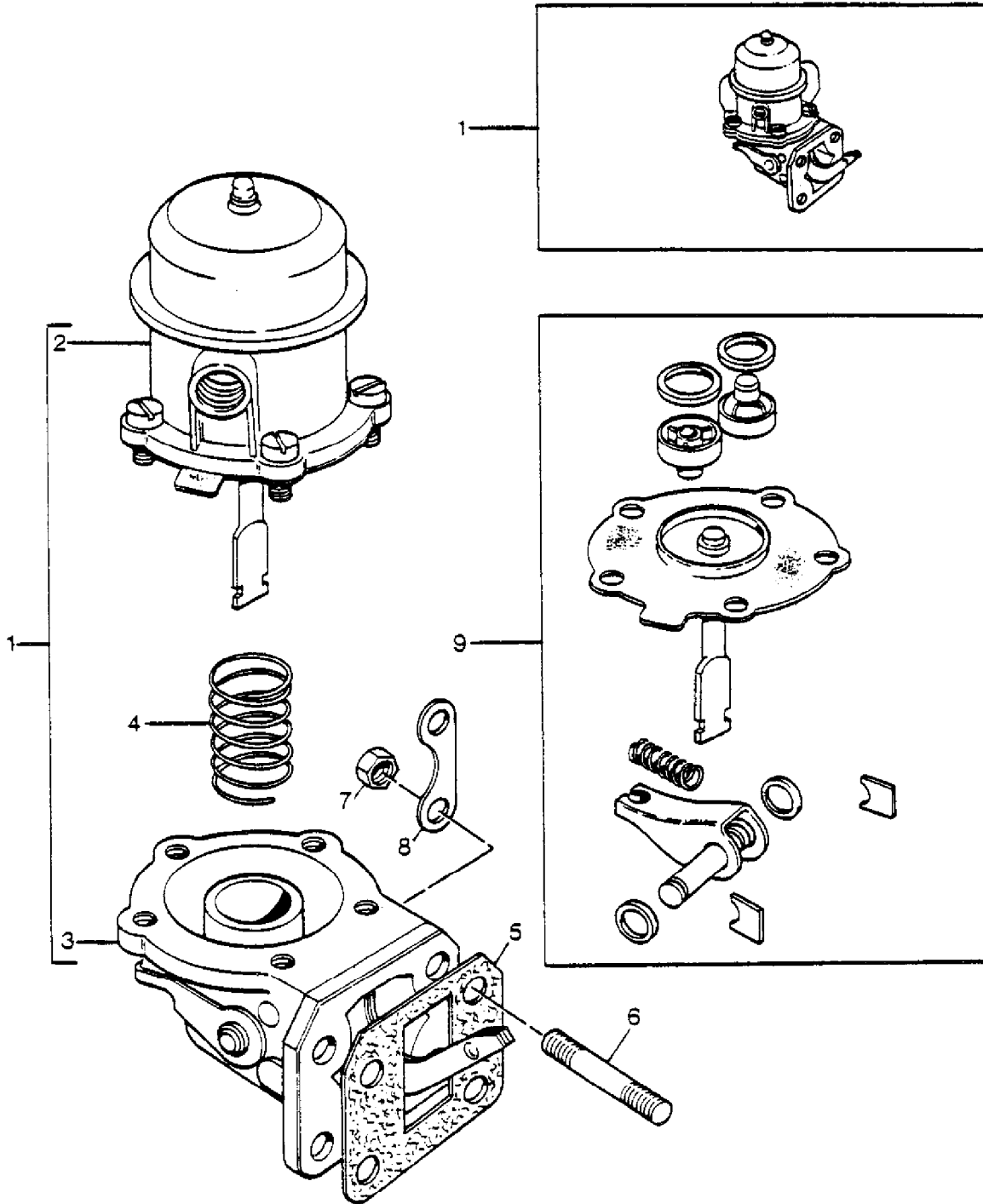
MF 430 COMBINE

Page 32 - PRE-FUEL FILTER - A4.248

Item	Part Number	Qty	Part Description	Comments
1	0650204	2	Plug	
2	0920154	2	Washer	
3	2656088	1	Filter	
4	33532129	3	Nut	
5	0566004	3	Olive	

POLTTOAINEPUMPPU
 MATARPUMP
 FUEL OIL LIFT PUMP
 KRAFTSTOFFOERDERPUMPE
 POMPE D'ALIMENTATION

3-0395-032-A



AGCO Corporation
Parts List Report

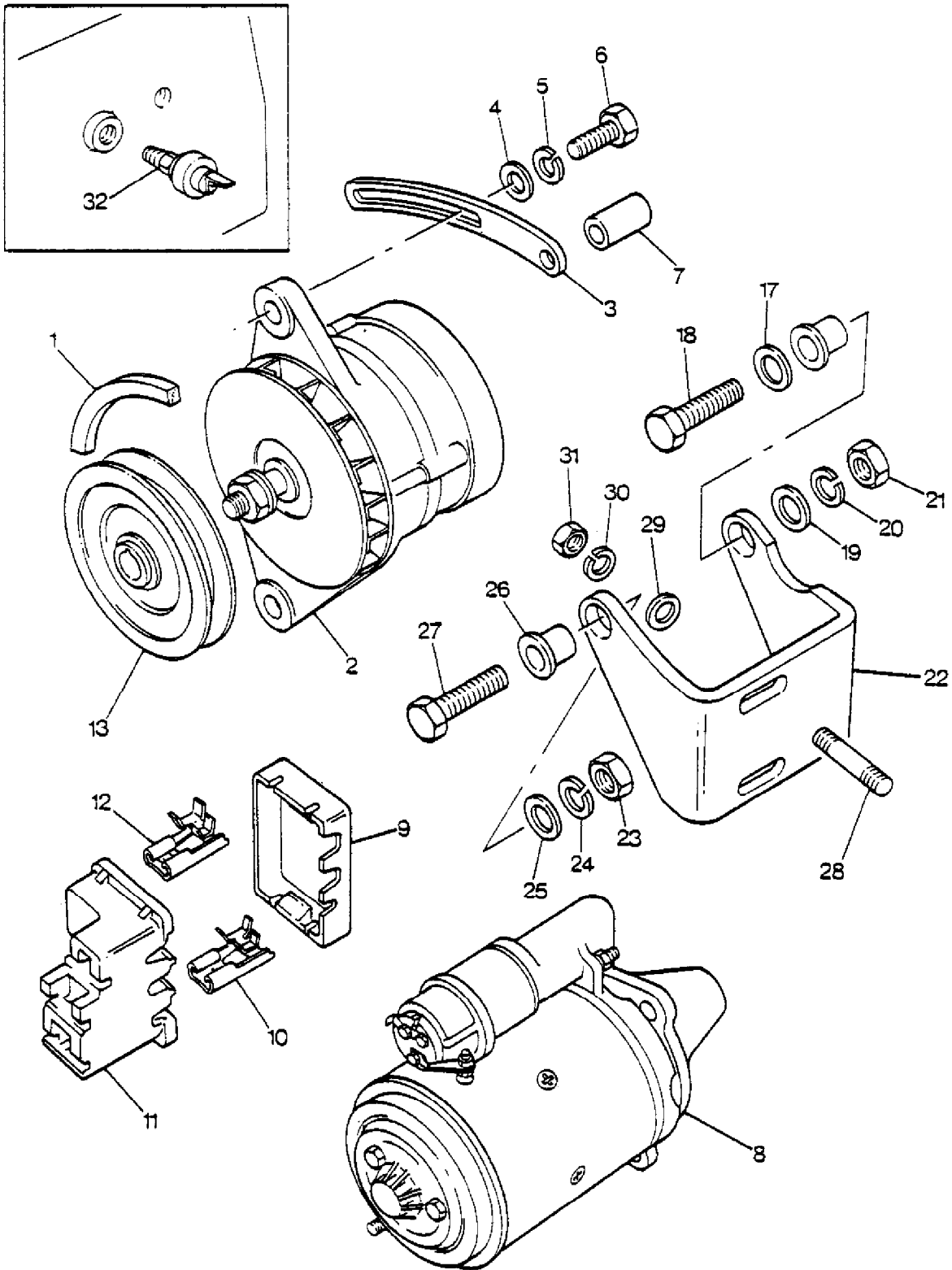
Massey Ferguson (Europe)

MF 430 COMBINE

Page 34 - FUEL OIL LIFT PUMP AND FILTER - A4.248

Item	Part Number	Qty	Part Description	Comments
1	2641709	1	Lift Pump	
2		1	Housing	1 Not Serviced, Order REF. 1
3		1	Body	1 Not Serviced, Order REF. 1
4	0780240	1	Spring	1
5	36851113	1	Joint	
6	0826222	4	Stud	
7	33221115	4	Nut	
8	36241316	2	Plate	
9	26410087	X	Kit, Repair	

3-0151-001-A



AGCO Corporation
Parts List Report

Massey Ferguson (Europe)

MF 430 COMBINE

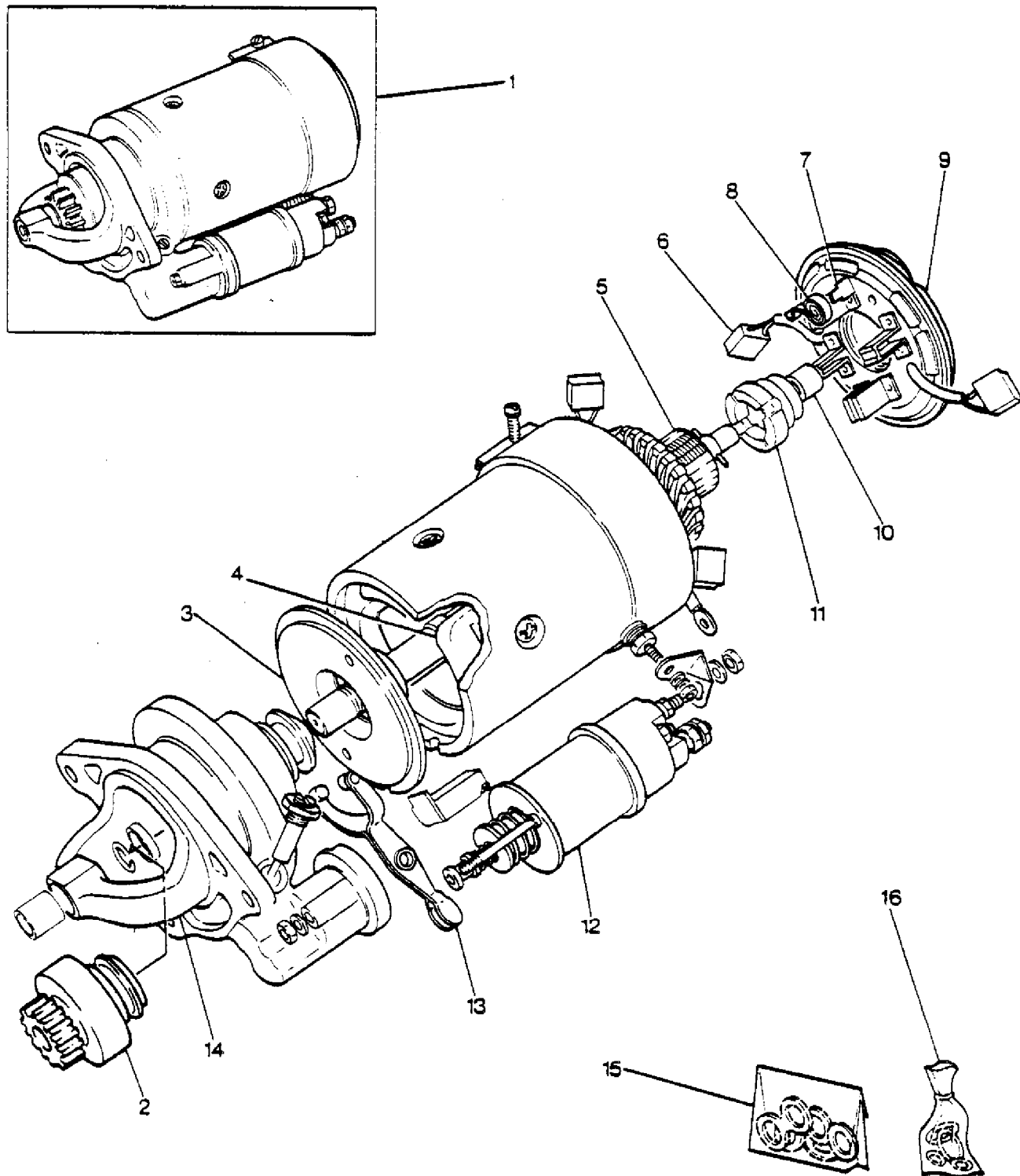
Page 36 - ELECTRICAL EQUIPMENT - ENGINE

Item	Part Number	Qty	Part Description	Comments
				ENGINE
1	2614B050	1	Belt	
2	2871A105	1	Alternator	See Page/Reference Number 40/1
3	36178128	1	Lever	
4	0920497	1	Washer	
5	2134A008	1	Washer	
6	2314C044	1	Setscrew	
7	33245132	1	Spacer	
8	2873006	1	Startermotor	See Page/Reference Number 38/1
9	2816940	1	Cover	
10	2815560	1	Terminal	
11	2816939	1	Connector	
12	2815559	1	Connector	
13	31141677	1	Pulley,Alternatr	
17	0920497	1	Washer	
18	0096234	1	Bolt	
19	0920003	1	Washer	
20	0920053	1	Washer	
21	0576002	1	Nut	
22	38164125	1	Bracket	
23	0576002	1	Nut	
24	0920053	1	Washer	
25	0920003	1	Washer	
26	33421127	2	Sleeve	
27	0096231	1	Setscrew	
28	0826492	1	Stud	
29	0920004	1	Washer	
30	0920054	1	Washer	
31	0576051	1	Nut	
32	2848062	1	Switch	

KÄYNNISTINMOOTTORI
 STARTMOTOR
 STARTER
 ANLASSER
 DEMARREUR

LUCAS
 LUCAS
 LUCAS
 LUCAS
 LUCAS

3-0182-004-A



AGCO Corporation
Parts List Report

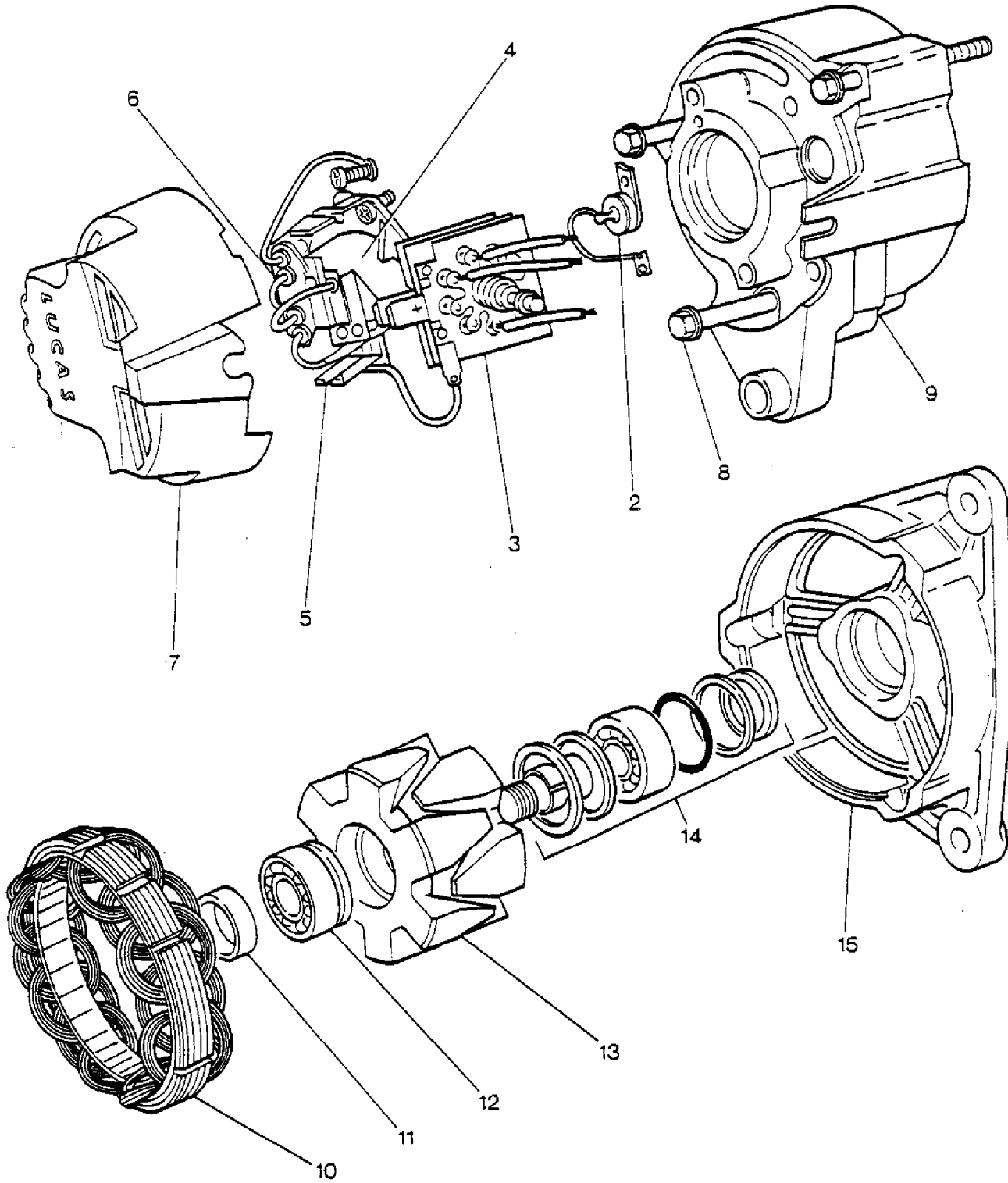
Massey Ferguson (Europe)
MF 430 COMBINE
Page 38 - STARTER - LUCAS

Item	Part Number	Qty	Part Description	Comments
				LUCAS
1	2873006	1	Statermotor	See Page/Reference Number 36/8
2	1893713M91	1	Drive	1
3	1810615M91	1	Bearing Plate	1
4	1887953M91	1	Coil	1
5	1887964M91	1	Armature	1
6	1810576M91	1	Kit, Brush	1
7	1887952M91	1	Kit, Brush Plate	1
8	1039134M91	1	Kit, Spring	1
9	1806009M1	1	Housing	1
10	1887955M91	1	Kit, Bush	1
11	1887956M91	1	Kit, Brake	1
12	1893404M91	1	Solenoid	1
13	1893706M91	1	Fork	1
14		1	Bearing Carrier	1
				Not Serviced, Order REF . 1
15	1887967M91	1	Kit, Sundry	1
16	1887957M91	1	Kit, Gasket	1
17	1893978M91	1	Kit, Retainer	(A)
				1
18	1895415M1	1	Solenoid	(A)
				1
				(A)
				NOT ILLUSTRATED

VAIHTOVIRTALATURI
VÄXELSTRÖMSGENERATOR
ALTERNATOR
DREHSTROMLICHTMASCHINE
ALTERNATEUR

LUCAS
LUCAS
LUCAS
LUCAS
LUCAS

3-0162-013-A

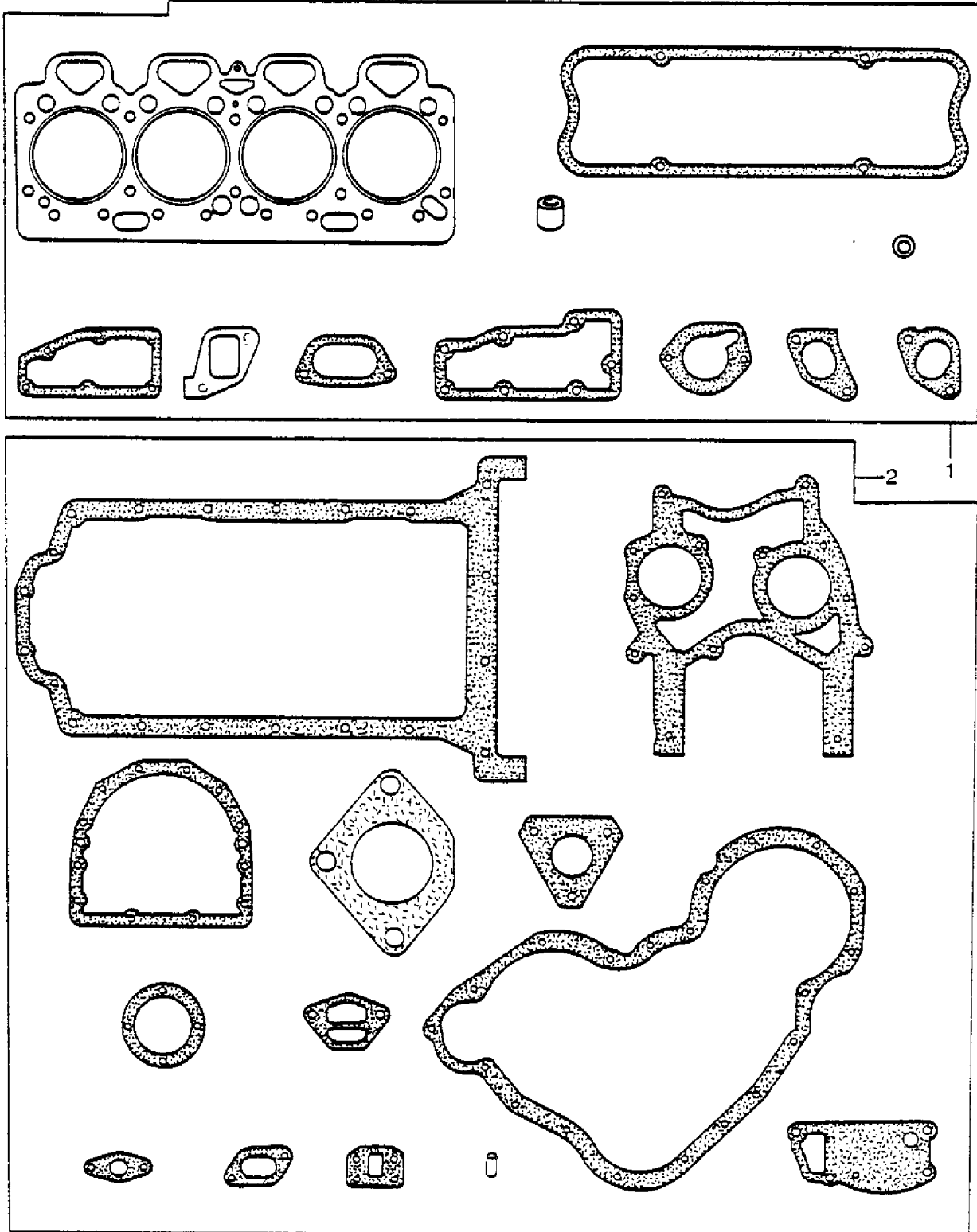


AGCO Corporation
Parts List Report

Massey Ferguson (Europe)
MF 430 COMBINE
Page 40 - ALTERNATOR - LUCAS

Item	Part Number	Qty	Part Description	Comments
				LUCAS
1	2871A105	1	Alternator	See Page/Reference Number 36/2
2	1893977M1	1	Condenser	1
3	1429443M1	1	Rectifier	1
4	1887425M1	1	Box	1
5	1887426M1	1	Brush	1
6	1887416M1	1	Regulator	1
7	1891503M1	1	Cover	1
8	1887427M1	3	Bolt	1
9	1888326M1	1	Bearing Carrier	1
10	1889101M1	1	Stator	1
11	1887421M1	1	Ring	1
12	1887422M1	1	Kit, Bearing	1
13	1049703M91	1	Rotor	1
14	1887419M1	1	Kit, Bearing	1
15	1888324M91	1	Bearing Carrier	1
16	1887428M1	1	Kit, Sundry	(A) 1 (A) NOT ILLUSTRATED

3-0110-022-A



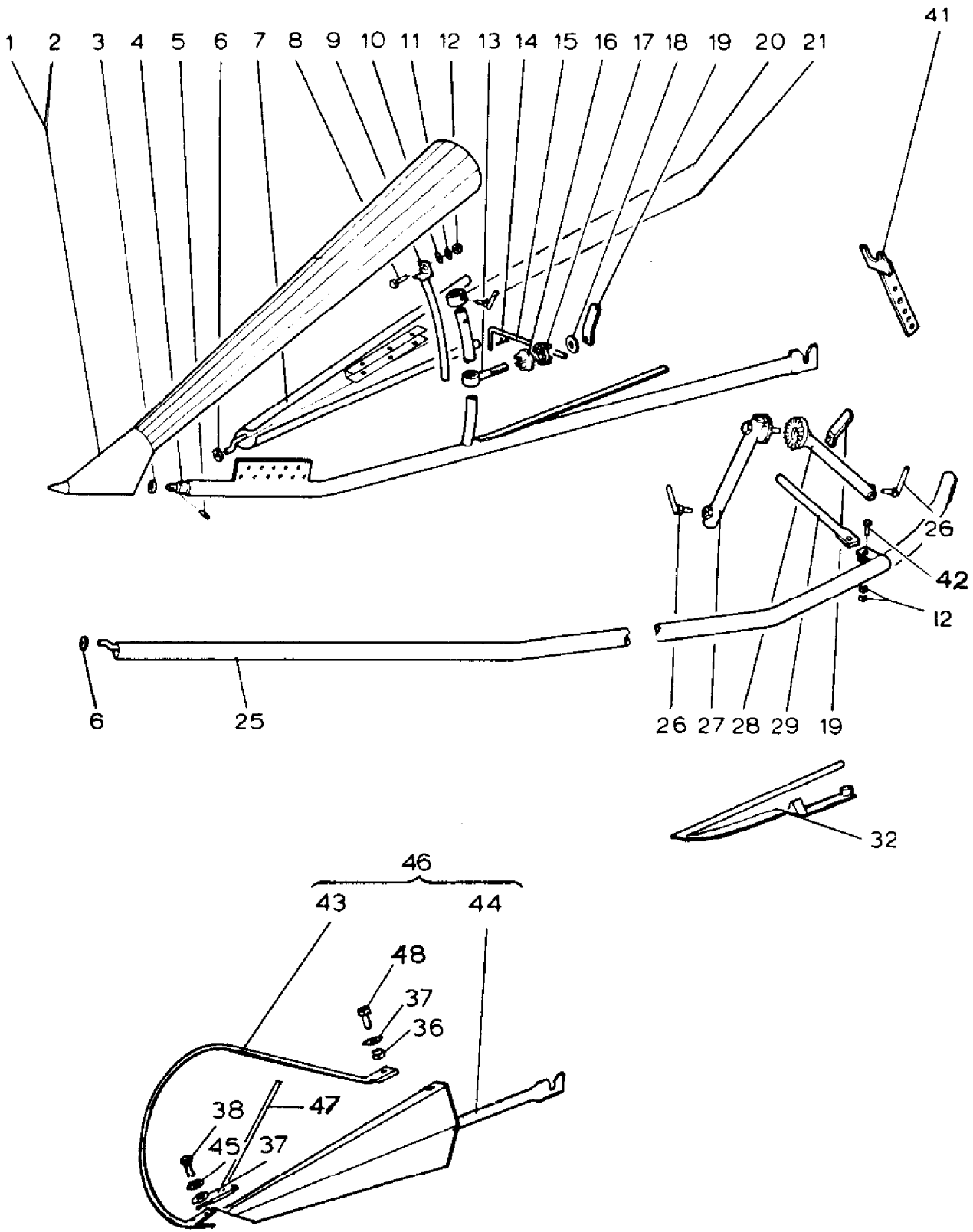
AGCO Corporation
Parts List Report

Massey Ferguson (Europe)
MF 430 COMBINE

Page 42 - JOINTS AND GASKETS-BOTTOM SERVICE KIT

Item	Part Number	Qty	Part Description	Comments
1	U5LT0007	X	Kit,Joint/Gasket	
2	94481	X	Kit, Joint	

VILJANJAKOLAITTEET
 STRÅSKILJARE
 STAW DIVIDERS
 ABTEILER
 DIVISEUR

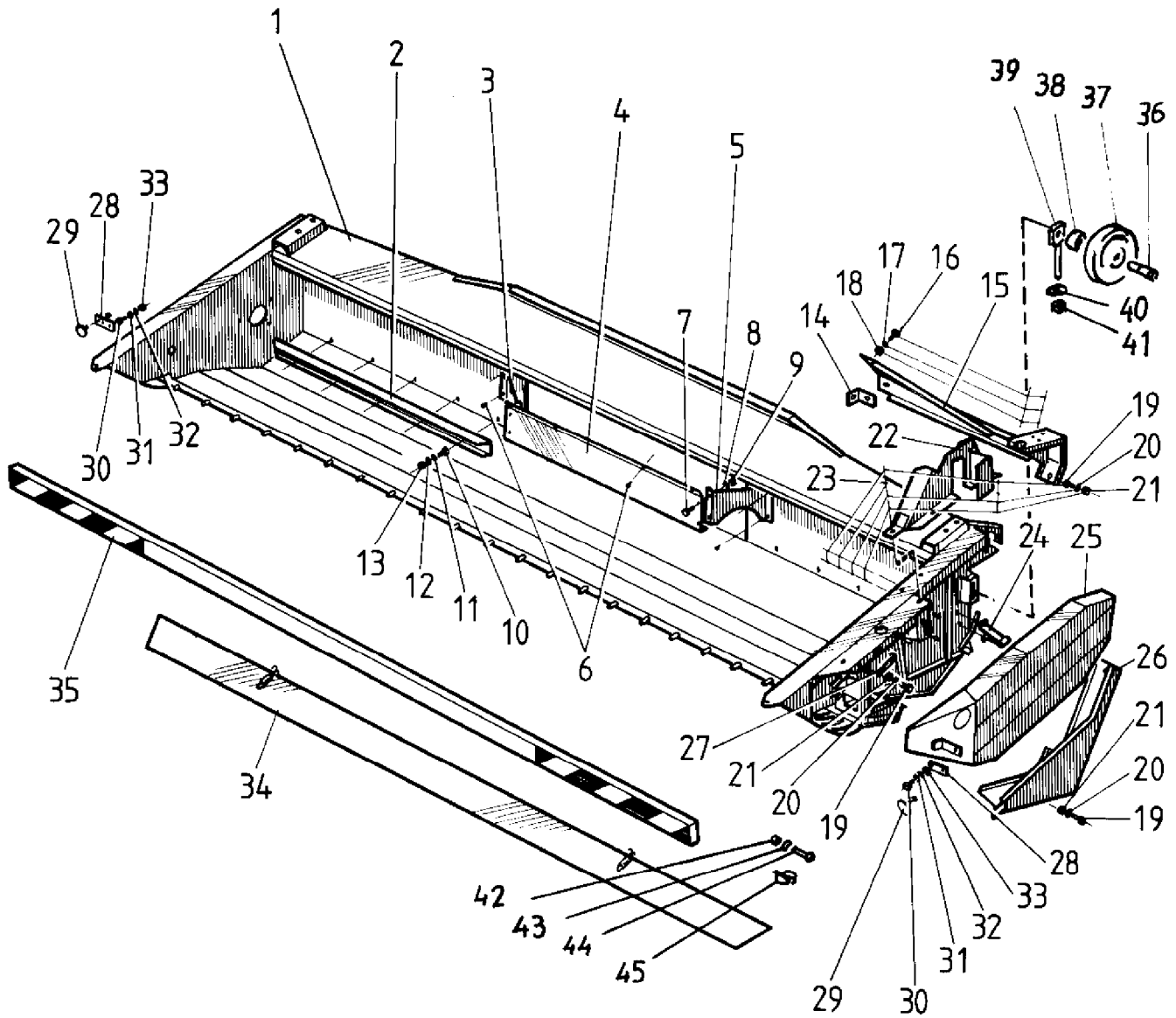


AGCO Corporation
Parts List Report

Massey Ferguson (Europe)
MF 430 COMBINE
Page 44 - STRAW DIVIDER

Item	Part Number	Qty	Part Description	Comments
1	SR625237	1	Point	Left Hand
2	SR618965	1	Point	Right Hand
3	SR618931	2	Damper	
4	SR618968	2	Tube	
5	S7814198	2	Roll Pin	
6	SR619014	4	Damper	
7	SR618954	2	Deflector	
8	S6226167	2	Screw	
9	SR618960	2	Rod	
10	S7400033	2	Disc	
11	S7414471	2	Lock Washer	
12	S6506434	4	Nut	
13	SR615795	2	Screw	
14	S7812405	2	Linch Pin	
15	SR082536	2	Rod	
16	SR616697	2	Holder	
17	SR082544	2	Holder	
18	S7414062	2	Disc	
19	SR595936	4	Nut	
20	SR596036	2	Collet	
21	SR596034	2	Screw	
25	SR618963	1	Tube	
	SR652141	2	Pipe	For Norway.
26	SR596035	4	Screw	
27	SR595864	2	Stay	
28	SR595865	2	Arm	
29	SR082550	2	Rod	
32	SR620041		Ear Lifter	
36	S6506234	4	Nut	
37	S7414469	4	Lock Washer	
38	S6221467	4	Screw	
41	SR588385	2	Adjuster	
42	S6226977	2	Screw	
43	SR643614	1	Crook	
44	SR643607	1	Divider	
45	S7400032	2	Disc	
46	SR643606	2	Divider	
47	SR652195	2	Bar	
48	S6220867	1	Screw	

LEIKKUUPÖYTÄ
SKÄRBORD
CUTTING TABLE
SCHNEIDWERK
TABLE DE COUPE



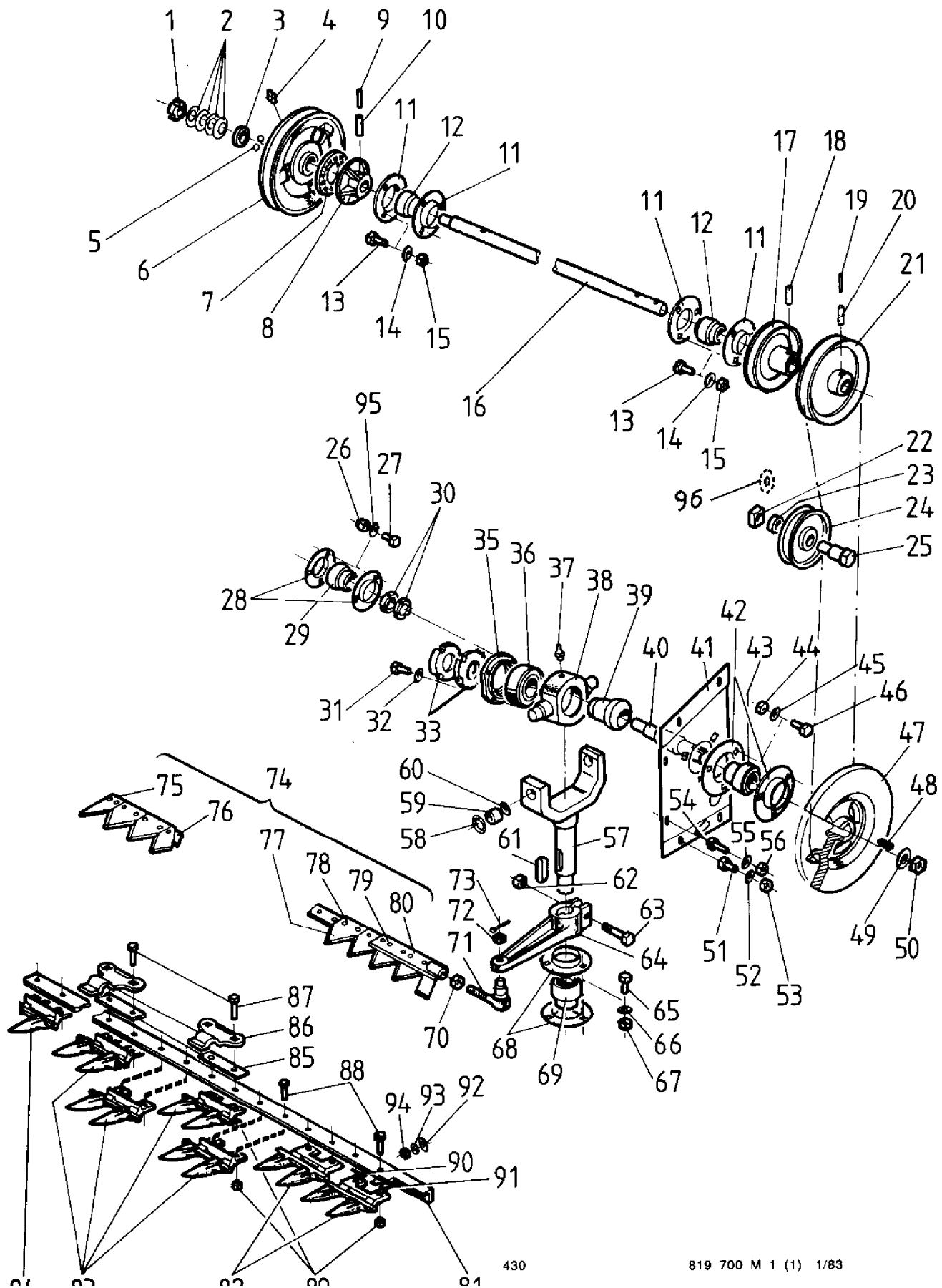
AGCO Corporation
Parts List Report

Massey Ferguson (Europe)
MF 430 COMBINE
Page 46 - CUTTING TABLE

Item	Part Number	Qty	Part Description	Comments
1	SR638519	1	Table	(A)
	SR638520	1	Table	(B)
2	SR615723	2	Slat	(A)
	SR611654	2	Plate	(B)
3	SR618755	1	Protector	(A, B) Right Hand
4	SR618754	1	Protector	(A, B)
5	SR618756	1	Protector	(A, B) Left Hand
6	S7266308	8	Screw	(A, B)
7	S6211067	4	Screw	(A, B)
8	S7400032	4	Disc	(A, B)
9	S6593838	4	Nut	(A, B)
10	S6220867	8	Screw	(A)
10	S6220867	10	Screw	(B)
11	S7400032	8	Disc	(A)
11	S7400032	10	Disc	(B)
12	S7414469	8	Lock Washer	(A)
12	S7414469	10	Lock Washer	(B)
13	S6506234	8	Nut	(A)
13	S6506234	10	Nut	(B)
14	SR615893	2	Holder	(A)
14	SR615893	1	Holder	(B)
15	SR638510	2	Protector	(A)
	SR638511	1	Guard	(B)
16	S6210667	4	Screw	(A, B)
17	S7414465	4	Lock Washer	(A, B)
18	S6506034	4	Nut	(A, B)
19	S6220867	7	Screw	(A, B)
20	S7414469	7	Lock Washer	(A, B)
21	S6506234	7	Nut	(A, B)
22	SR638506	1	Protector	(A, B)
23	S7400032	5	Disc	(A, B)
24	SR615885	1	Stand	(A, B)
25	SR638513	1	Protector	(A, B)
26	SR634778	1	Protector	(A, B)
27	SR605043	1	Tension Spring	(A, B)
28	SR594817	3	Holder	(A, B)
29	S8020236	2	Reflector	(A, B)

30	S6211067	2	Screw	(A, B)
31	S7400030	2	Disc	(A, B)
32	S7414465	2	Lock Washer	(A, B)
33	S6506034	2	Nut	(A, B)
34	SR617317	1	Protector	(A)
	SR617322	1	Guard	(B)
35	SR617315	1	Protector	(A)
	SR617320	1	Beam	(B)
	SR646989	1	Beam	(A)
				For Norway.
	SR654089	1	Beam	(B)
				For Norway.
	SR661567	1	Protector	(A)
				For Germany only or any text in German only.
36	SR596052	1	Shaft	(A, B)
37	SR074962	1	Tightener	(A, B)
38	SR066732	1	Bush	(A, B)
39	SR632799	1	Screw	(A, B)
40	S7414059	1	Disc	(A, B)
41	S6594148	1	Nut	(A, B)
42	S6594238	2	Nut	(A, B)
43	S7414012	2	Disc	(A, B)
44	S6231767	2	Screw	(A, B)
				(A)
				Width: 3,0 M
				(B)
				Width: 3,5 M

LEIKKUUTERÄ
SKÄRAPPARAT
CUTTING KNIFE ASSY
MÄHMESSER
LAME DE COUPE



AGCO Corporation
Parts List Report

Massey Ferguson (Europe)

MF 430 COMBINE

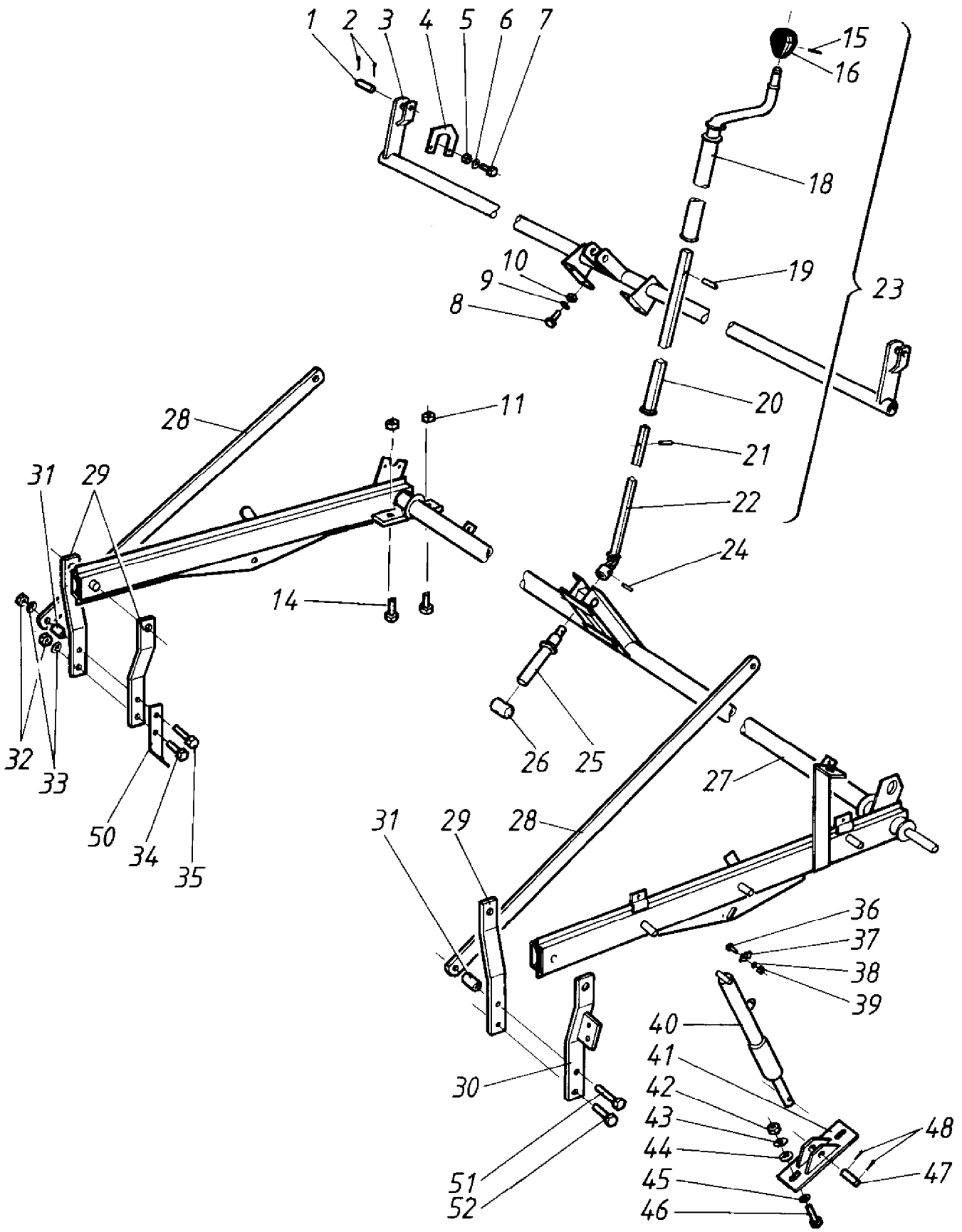
Page 48 - CUTTING KNIFE ASSEMBLY

Item	Part Number	Qty	Part Description	Comments
1	S0563006	1	Nut	(A, B)
2	S0410175	4	Cup Spring	(A, B)
3	SR611663	1	Bearing Plate	(A, B)
4	S0252420	1	Nipple	(A, B)
5	S0567028	15	Ball	(A, B)
6	SR611664	1	Pulley	(A, B)
7	SR615434	1	Plate	(A, B)
8	SR615293	1	Coupler	(A, B)
9	S7814181	1	Roll Pin	(A, B)
10	S7814235	1	Roll Pin	(A, B)
11	S0569322	4	Flange	(A, B)
12	S0511057	2	Bearing Ball	(A, B)
13	S6226167	6	Screw	(A, B)
14	S7400033	6	Disc	(A, B)
15	S6506434	6	Nut	(A, B)
16	SR638517	1	Shaft	(A)
	SR638518	1	Shaft	(B)
17	SR652283	1	Pulley	(A, B)
18	S7814209	1	Roll Pin	(A, B)
19	S7814181	1	Roll Pin	(A, B)
20	S7814235	1	Roll Pin	(A, B)
21	SR611661	1	Pulley	(A, B)
22	SR595515	1	Nut	(A, B)
23	SR066732	1	Bush	(A, B)
24	SR074964	1	Wheel	(A, B)
25	SR596052	1	Shaft	(A, B)
26	S6594038	3	Nut	(A, B)
27	S6220486	3	Screw	(A, B)
28	S0569320	2	Flange	(A, B)
29	S0511051	1	Bearing Ball	(A, B)
30	S0563006	2	Nut	(A, B)
31	S6211467	4	Screw	(A, B)
32	S7414465	4	Lock Washer	(A, B)
33	S0563010	2	Nut	(A, B)
35	SR060885	1	Cover	(A, B)
36	S0504010	1	Bearing	(A, B)
37	S0252420	1	Nipple	(A, B)
38	SR609689	1	Cam	(A, B)
39	SR089037	1	Bush	(A, B)

40	SR611629	1	Shaft	(A, B)
41	SR613984	1	Bearing Plate	(A, B)
42	S0569322	2	Flange	(A, B)
43	S0511057	1	Bearing Ball	(A, B)
44	S6594148	3	Nut	(A, B)
45	S7400033	3	Disc	(A, B)
46	S6226167	3	Screw	(A, B)
47	SR618711	1	Flywheel	(A, B)
48	S7717156	1	Wedge	(A, B)
49	S7400038	1	Disc	(A, B)
50	S6507231	1	Nut	(A, B)
51	S6221267	1	Screw	(A, B)
52	S7400032	4	Disc	(A, B)
53	S6594038	4	Nut	(A, B)
54	S6221467	2	Screw	(A, B)
55	S7414469	2	Lock Washer	(A, B)
56	S6506234	2	Nut	(A, B)
57	SR611627	1	Shaft	(A, B)
58	S7815220	2	Circlip	(A, B)
59	S0480560	2	Bearing	(A, B)
60	S0639552	2	Seal	(A, B)
61	S7716128	1	Wedge	(A, B)
62	S6521731	1	Nut	(A, B)
63	S6394652	1	Screw	(A, B)
64	SR619616	1	Lever	(A, B)
65	S6226167	3	Screw	(A, B)
66	S7414471	3	Lock Washer	(A, B)
67	S6506434	3	Nut	(A, B)
68	S0569323	2	Flange	(A, B)
69	S0511335	1	Bearing	(A, B)
70	S6521731	1	Nut	(A, B)
71	S0497732	1	Toggle	(A, B)
72	S6536735	1	Nut	(A, B)
73	S7812123	1	Cotter	(A, B)
74	SR636314	1	Knife	(A)
	SR636317	1	Knife	(B)
75	SR067446	1	Section	(A, B)
76	SR636315	1	Knife Back	(A)
	SR636318	1	Knife Back	(B)
77	S0498820	38	Tr Knife Blades	(A)
77	S0498820	44	Tr Knife Blades	(B)
78	S7614215	73	Rivet	(A)
78	S7614215	85	Rivet	(B)
79	S7614221	5	Rivet	(A, B)
80	SR619620	1	Knife Head	(A, B)
81	SR615709	1	Knife Back	(A)

	SR611716	1	Knife Back	(B)
82	SR638710	2	Finger	(A, B)
83	S0498838	17	Finger	(A)
83	S0498838	20	Finger	(B)
84	SR636319	1	Finger	(A, B)
85	SR632966	8	Disc	(A)
85	SR632966	10	Disc	(B)
86	S0498840	8	Holder	(A)
86	S0498840	10	Holder	(B)
87	S6227197	16	Screw	(A)
87	S6227197	20	Screw	(B)
88	S6226587	24	Screw	(A)
88	S6226587	26	Screw	(B)
89	S6594148	40	Nut	(A)
89	S6594148	46	Nut	(B)
90	SR638623		Plate	
91	SR640592		Disc	
92	S7400032	19	Disc	(A)
92	S7400032	22	Disc	(B)
93	S7414469	19	Lock Washer	(A)
93	S7414469	22	Lock Washer	(B)
94	S6506234	19	Nut	(A)
94	S6506234	22	Nut	(B)
95	S7400032	3	Disc	(A, B)
96	S7414013	1	Disc	(A, B)
				(A)
				Width: 3,0 M
				(B)
				Width: 3,5 M

LAONNOSTOKELAN AISAT
KAMHASPELNS ARMAR
REEL CARRIER
HASPELTRAGARME
BRAS DE RABATTEUR



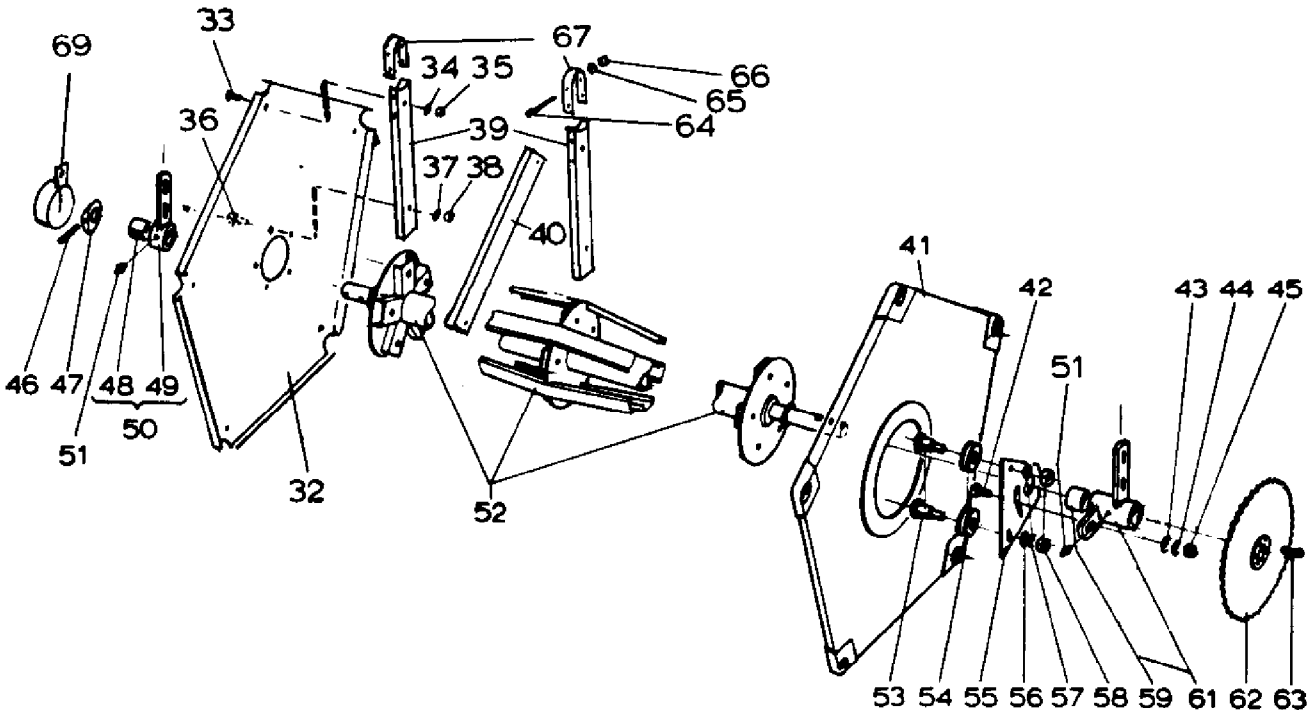
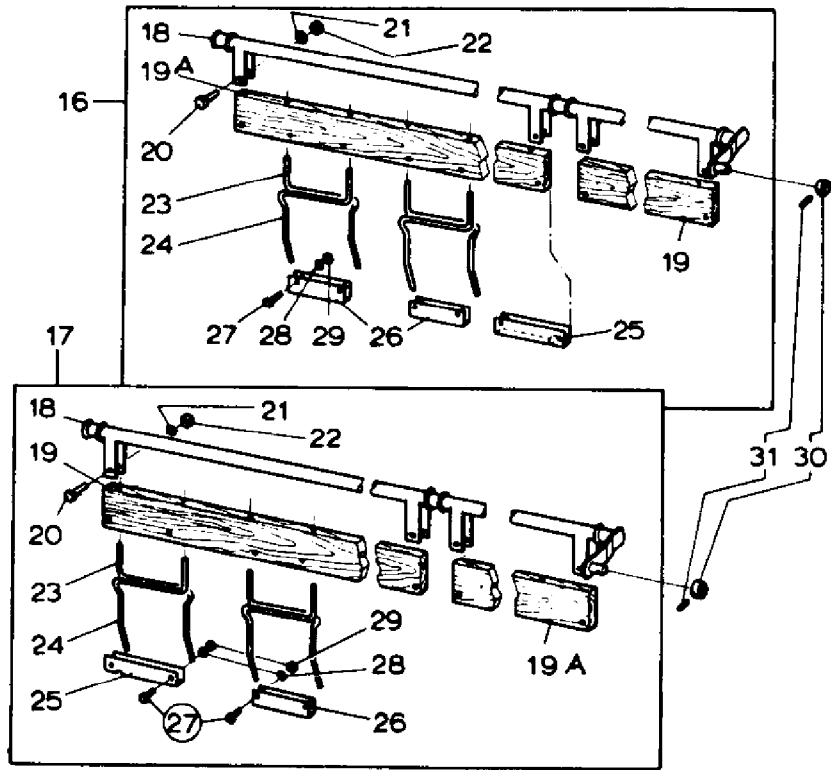
AGCO Corporation
Parts List Report

Massey Ferguson (Europe)
MF 430 COMBINE
Page 52 - REEL CARRIER

Item	Part Number	Qty	Part Description	Comments
1	SR590010	2	Pin	(A, B)
2	S7812116	4	Cotter	(A, B)
3	SR638135	1	Shaft	(A)
	SR638136	1	Shaft	(B)
4	SR637394	1	Bearing	(A, B)
5	S6506234	2	Nut	(A, B)
6	S7414469	2	Lock Washer	(A, B)
7	S6220867	2	Screw	(A, B)
8	S6211067	4	Screw	(A, B)
9	S7414465	4	Lock Washer	(A, B)
10	S6506034	4	Nut	(A, B)
11	S6594148	4	Nut	(A, B)
	S6226367	4	Screw	(A, B)
15	S7814069	1	Roll Pin	(A, B)
16	S0879935	1	Knob	(A, B)
18	SR640948	1	Crank	(A, B)
19	S7814111	1	Roll Pin	(A, B)
20	SR599537	1	Tube	(A, B)
21	S7814067	1	Roll Pin	(A, B)
22	SR599535	1	Arm	(A, B)
23	SR640947	1	Spindle Adjust	(A, B)
24	S7814145	1	Roll Pin	(A, B)
25	SR638137	1	Setscrew	(A, B)
26	SR596051	1	Adjusting Nut	(A, B)
27	SR638133	1	Reel Lift Arm	(A)
	SR638134	1	Reel Lift Arm	(B)
28	SR640772	2	Arm	(A, B)
29	SR621417	3	Lever	(A, B)
30	SR621416	1	Lever	(A, B)
31	SR588811	2	Bush	(A, B)
32	S6506434	4	Nut	(A, B)
33	S7414471	4	Lock Washer	(A, B)
34	S6227377	1	Screw	(A, B)
35	S6227767	1	Screw	(A, B)
36	S6221067	2	Screw	(A, B)
37	SR588383	2	Latch	(A, B)
38	S7414465	2	Lock Washer	(A, B)
39	S6506034	2	Nut	(A, B)
40	SR637360	2	Ram	(A, B)

41	SR611771	2	Holder	(A, B)
42	S6506434	4	Nut	(A, B)
43	S7414471	4	Lock Washer	(A, B)
44	S7400033	4	Disc	(A, B)
45	S7412259	4	Tooth Washer	(A, B)
46	S6226167	4	Screw	(A, B)
47	SR589597	2	Trunnion	(A, B)
48	S7812116	4	Cotter	(A, B)
50	SR633103	1	Protector	(A, B)
51	S6227577	1	Screw	(A, B)
52	S6226977	1	Screw	(A, B)
				(A)
				Width: 3,0 M
				(B)
				Width: 3,5 M

LAONNOSTOKELA
 KAMHASPEL
 PICK-UP REEL
 HASPEL
 RABATTEUR



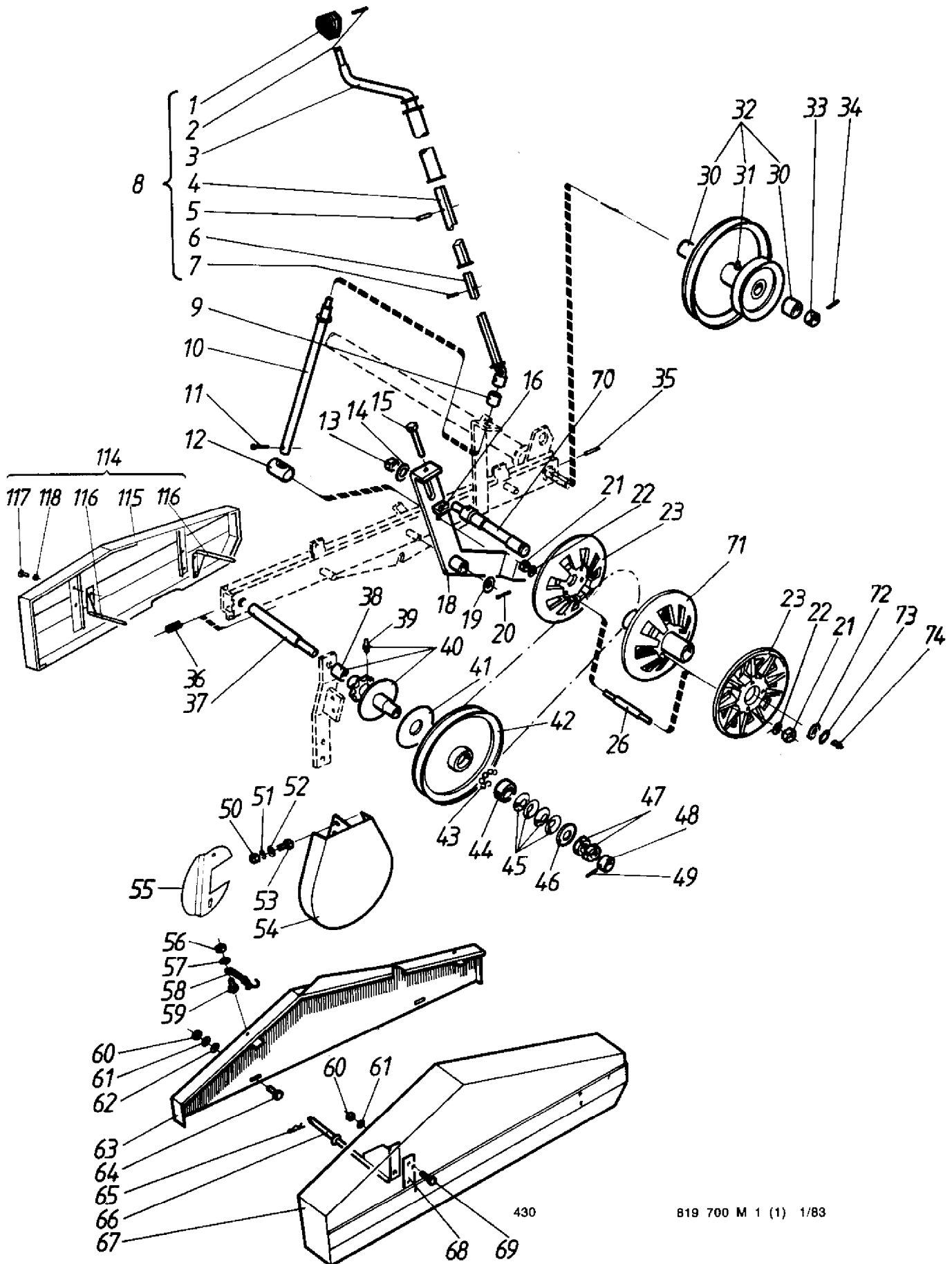
AGCO Corporation
Parts List Report

Massey Ferguson (Europe)
MF 430 COMBINE
Page 54 - PICK-UP REEL

Item	Part Number	Qty	Part Description	Comments
16	SR640648	2	Batt	(A) Left Hand
	SR640898	2	Batt	(B) Left Hand
17	SR640649	3	Batt	(A) Right Hand
	SR640899	3	Batt	(B) Right Hand
18	SR640682	1	Body Pillar	(A)
	SR640900	1	Tube	(B)
19	SR649962	1	Batt	(A)
	SR640902	1	Batt	(B)
19A	SR649961	1	Batt	(A)
	SR640902	1	Batt	(B)
20	S6211877	8	Screw	(A, B)
21	S7414465	8	Lock Washer	(A, B)
22	S6506034	8	Nut	(A, B)
23	SR082380	10	Tine	(A) Left Hand
23	SR082380	12	Tine	(B) Left Hand
24	SR082381	10	Tine	(A) Right Hand
24	SR082381	12	Tine	(B) Right Hand
25	SR084696	2	Holder	(A)
25	SR084696	4	Holder	(B)
26	SR082382	6	Holder	(A)
26	SR082382	8	Holder	(B)
27	S6206827	16	Screw	(A)
27	S6206827	20	Screw	(B)
28	S7414463	16	Lock Washer	(A)
28	S7414463	20	Lock Washer	(B)
29	S6505814	16	Nut	(A)
29	S6505814	20	Nut	(B)
30	SR588810	5	Ring	(A, B)
31	S7814145	5	Roll Pin	(A, B)
32	SR622074	1	Plate	(A, B)
33	S6753644	15	Screw	(A, B)

34	S7400030	15	Disc	(A, B)
35	S6593838	15	Nut	(A, B)
36	S6221877	15	Screw	(A, B)
37	S7414469	15	Lock Washer	(A, B)
38	S6594038	15	Nut	(A, B)
39	SR621431	15	Arm	(A, B)
40	SR061432	10	Stay	(A, B)
41	SR588802	1	Plate	(A, B)
42	S6226367	1	Screw	(A, B)
43	S7400033	1	Disc	(A, B)
44	S7414471	1	Lock Washer	(A, B)
45	S6506434	1	Nut	(A, B)
46	S7812258	1	Cotter	(A, B)
47	SR588812	1	Disc	(A, B)
48	S0552059	1	Bush	(A, B)
49	SR588288	1	Bearing	(A, B)
50	SR588287	1	Bearing	(A, B)
51	S0252420	2	Nipple	(A, B)
52	SR640666	1	Shaft	(A)
	SR640669	1	Shaft	(B)
53	SR596050	2	Shaft	(A, B)
54	SR588809	2	Roller	(A, B)
55	SR643229	1	Protector	(A, B)
56	S7400034	2	Washer	(A, B)
57	S7414473	2	Lock Washer	(A, B)
58	S6506634	2	Nut	(A, B)
59	S0552059	1	Bush	(A, B)
61	SR640685	1	Lever	(A, B)
62	SR588269	1	Sprocket	(A, B)
63	S7712110	1	Gib Key	(A, B)
64	S6212477	30	Screw	(A, B)
65	S7414465	30	Lock Washer	(A, B)
66	S6593838	30	Nut	(A, B)
67	SR621432	15	Holder	(A, B)
69	SR637312	1	Protector	(A, B)

LAONNOSTOKELAN MUUTIN
 KAMHASPELNS VARIATOR
 REEL VARIATOR
 HASPELVARIATOR
 VARIATEUR DU RABATTEUR



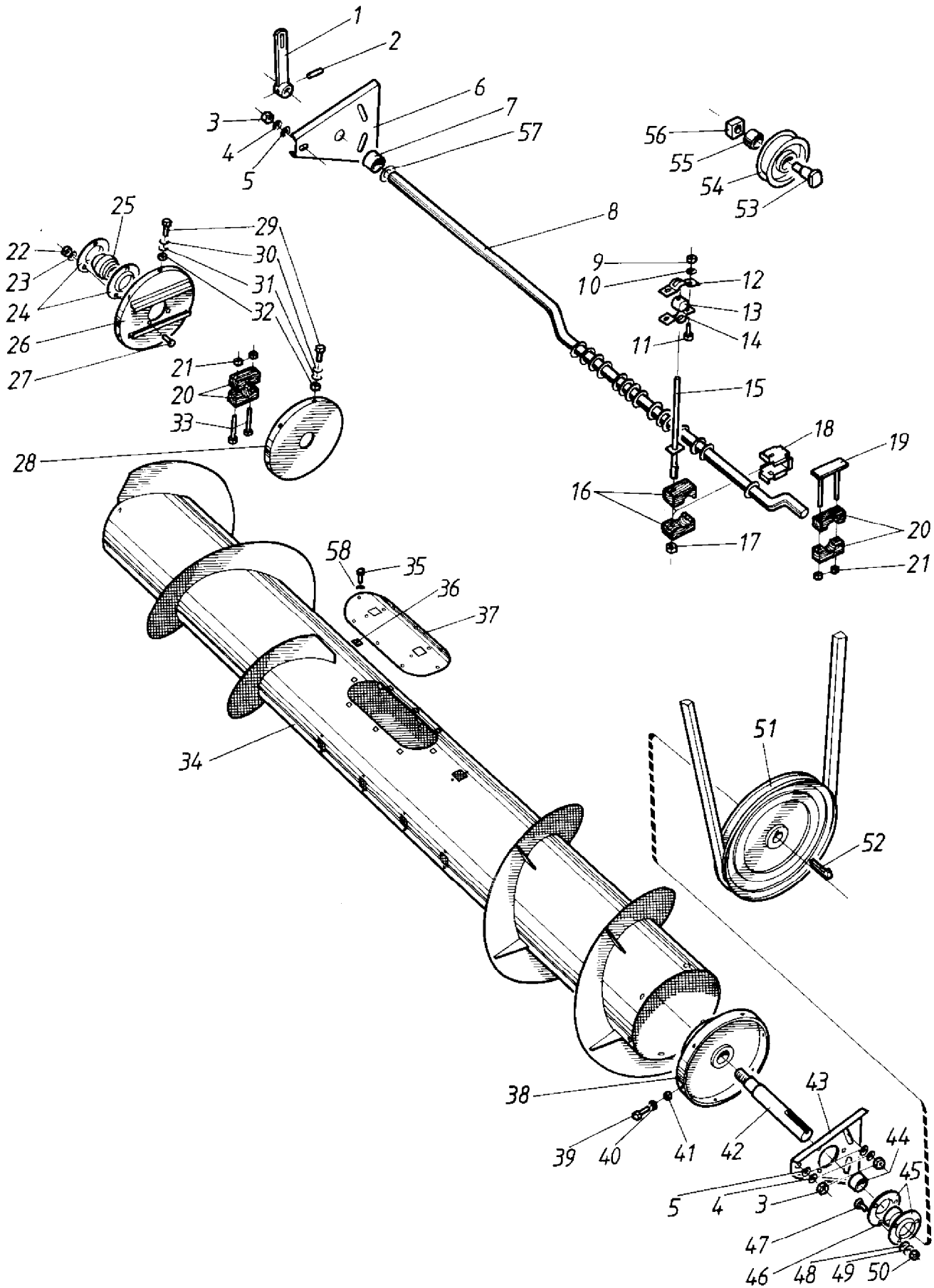
AGCO Corporation
Parts List Report

Massey Ferguson (Europe)
MF 430 COMBINE
Page 56 - REEL VARIATOR

Item	Part Number	Qty	Part Description	Comments
1	S0879935	1	Knob	
2	S7814069	1	Roll Pin	
3	SR640948	1	Crank	
4	SR599537	1	Tube	
5	S7814111	1	Roll Pin	
6	SR599535	1	Arm	
7	S7814067	1	Roll Pin	
8	SR640947	1	Spindle Adjust	
9	SR644086	1	Bush	
10	SR640709	1	Adjusting Screw	
11	S7814111	1	Roll Pin	
12	SR596051	1	Adjusting Nut	
13	S6507034	1	Nut	
14	S7400036	1	Disc	
15	S6223867	1	Screw	
16	SR596056	1	Nut	
18	SR640712	1	Arm	
19	S7400038	1	Disc	
20	S7812160	1	Cotter	
21	S6506234	6	Nut	
22	S7414469	6	Lock Washer	
23	SR634936	2	Pulley	
24	S0552058	2	Bush	
26	SR643237	3	Trunnion	
30	S0552058	2	Bush	
31	S0252420	1	Nipple	
32	SR652281	1	Pulley	
33	SR588810	1	Ring	
34	S7814145	1	Roll Pin	
35	S7814209	1	Roll Pin	
36	S7814201	1	Roll Pin	
37	SR615375	1	Axle	
38	S0552058	1	Bush	
39	S0252405	1	Nipple	
40	SR615764	1	Coupling	
41	SR615434	1	Plate	
42	SR613032	1	Pulley	
43	S0567028	16	Ball	
44	SR615376	1	Ring	

45	S0410175	4	Cup Spring	
46	SR615374	1	Disc	
47	S0563006	2	Nut	
48	SR615373	1	Ring	
49	S7814113	1	Roll Pin	
50	S6506034	2	Nut	
51	S7414465	2	Lock Washer	
52	S7400030	2	Disc	
53	S6211667	2	Screw	
54	SR599867	1	Protector	
55	SR643229	1	Protector	
56	S6506034	1	Nut	
57	S7414465	1	Lock Washer	
58	SR605043	1	Tension Spring	
59	S6211067	1	Screw	
60	S6506234	6	Nut	
61	S7414465	6	Lock Washer	
62	S7400032	2	Disc	
63	SR644073	1	Protector	
64	S6220867	2	Screw	
65	S7812410	2	Linch Pin	
66	SR633181	2	Clip	
67	SR644070	1	Protector	
68	SR615778	2	Damper	
69	S6221267	4	Screw	
70	SR652492	1	Shaft	
71	SR634934	1	Pulley	
72	S7815725	1	Circlip	
73	S7815022	1	Circlip	
74	S0252420	1	Nipple	
114	SR659471	1	Protector	For Germany only or any text in German only.
115	SR659472	1	Protector	For Germany only or any text in German only.
116	SR644318	2	Clip	For Germany only or any text in German only.
117	S6221267	4	Screw	For Germany only or any text in German only.
118	S6594038	4	Nut	For Germany only or any text in German only.

SYÖTTÖRUUVI
 INMATNINGSKRUV
 FEEDER AUGER
 EINZUGSCHNECKE
 VIS



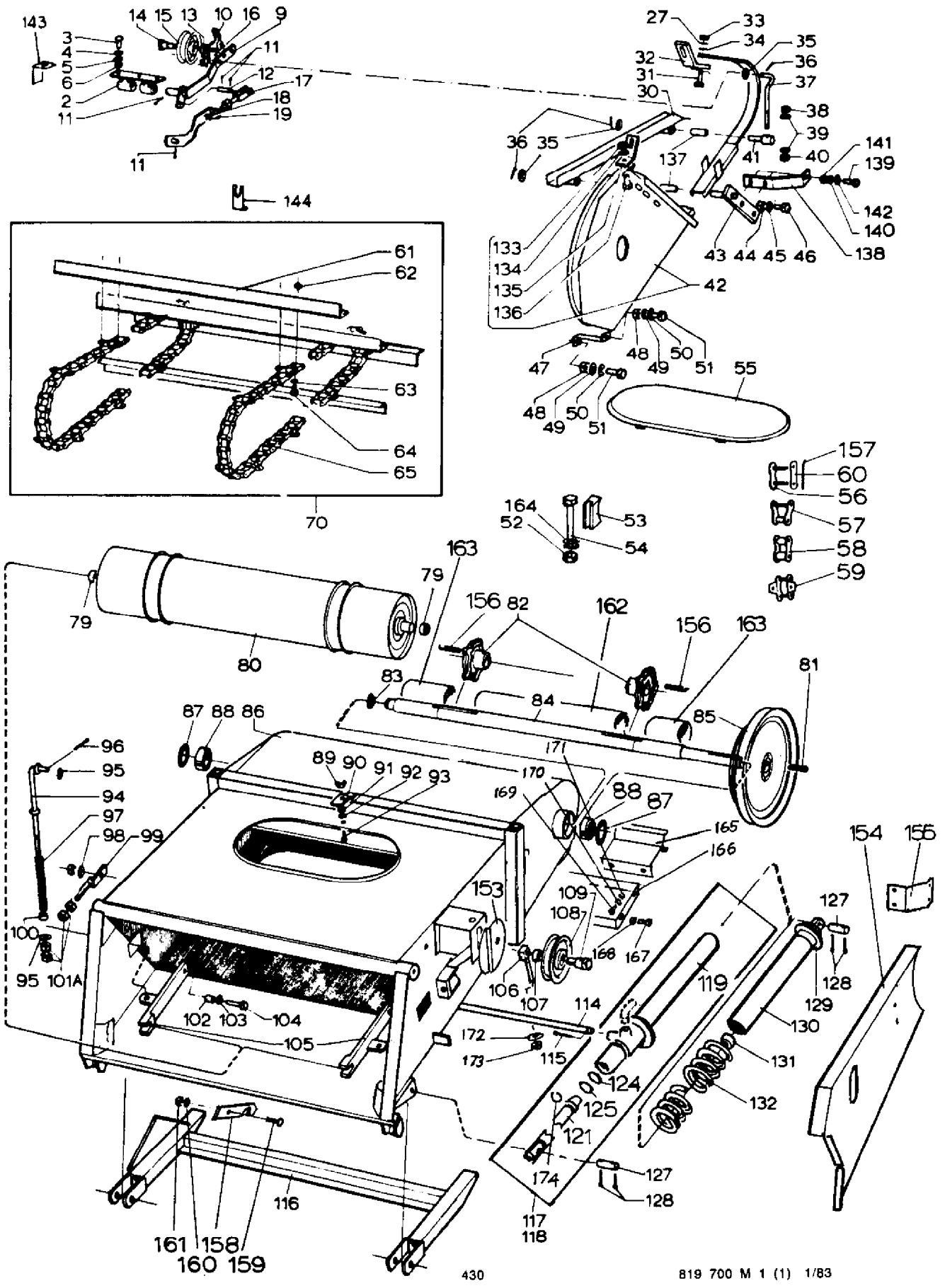
AGCO Corporation
Parts List Report

Massey Ferguson (Europe)
MF 430 COMBINE
Page 58 - FEEDER AUGER

Item	Part Number	Qty	Part Description	Comments
1	SR588321	1	Lever	(A, B)
2	S7814205	1	Roll Pin	(A, B)
3	S6506434	6	Nut	(A, B)
4	S7414471	6	Lock Washer	(A, B)
5	S7400033	6	Disc	(A, B)
6	SR588380	1	Holder	(A, B)
7	SR071610	1	Spacer	(A, B)
8	SR615705	1	Shaft	(A)
	SR611673	1	Shaft	(B)
9	S6594038	28	Nut	(A, B)
10	S7414469	28	Lock Washer	(A, B)
11	S6220867	28	Screw	(A, B)
12	SR062211	14	Holder	(A, B)
13	S0552082	14	Bearing	(A, B)
14	SR062212	14	Holder	(A, B)
15	SR598180	14	Finger	(A, B)
16	SR582414	14	Bearing	(A, B)
17	S6594238	14	Nut	(A, B)
18	SR582413	14	Cover	(A, B)
19	SR633332	1	Screw	(A, B)
20	SR582408	2	Bearing	(A, B)
21	S6593838	4	Nut	(A, B)
22	S6506234	3	Nut	(A, B)
23	S7414469	3	Lock Washer	(A, B)
24	S0569321	2	Flange	(A, B)
25	S0511054	1	Bearing Ball	(A, B)
26	SR582399	1	Plate	(A, B)
27	S6758344	3	Screw	(A, B)
28	SR582398	1	Flange	(A, B)
29	S6210667	12	Screw	(A, B)
30	S7400030	12	Disc	(A, B)
31	S7414465	12	Lock Washer	(A, B)
32	S6506034	12	Nut	(A, B)
33	S6213277	2	Screw	(A, B)
34	SR615698	1	Table Auger	(A)
	SR611667	1	Table Auger	(B)
35	S6210667	8	Screw	(A, B)
36	S6561112	8	Clip	(A, B)
37	SR592556	1	Cover	(A, B)

38	SR633325	1	Cover	(A, B)
39	S6220867	6	Screw	(A, B)
40	S7400032	6	Disc	(A, B)
41	S6594038	6	Nut	(A, B)
42	SR633348	1	Shaft	(A, B)
43	SR588379	1	Holder	(A, B)
44	SR074784	1	Spacer	(A, B)
45	S0569321	2	Flange	(A, B)
46	S0511054	1	Bearing Ball	(A, B)
47	S6758144	3	Screw	(A, B)
48	S7400032	3	Disc	(A, B)
49	S7414469	3	Lock Washer	(A, B)
50	S6506234	3	Nut	(A, B)
51	SR652284	1	Pulley	(A, B)
52	S7712050	1	Gib Key	(A, B)
53	SR596052	1	Shaft	(A, B)
54	SR074964	1	Wheel	(A, B)
55	SR066732	1	Bush	(A, B)
56	SR595515	1	Nut	(A, B)
57	SR615374	1	Disc	(A, B)
58	S7400030	8	Disc	(A, B)
				(A)
				Width: 3,0 M
				(B)
				Width: 3,5 M

SYÖTTÖKULJETIN
 INMÄTNINGSELEVATOR
 FEEDER ELEVATOR
 FÖRDERKANAL
 ELEVATEUR



AGCO Corporation
Parts List Report

Massey Ferguson (Europe)
MF 430 COMBINE
Page 60 - FEEDER ELEVATOR

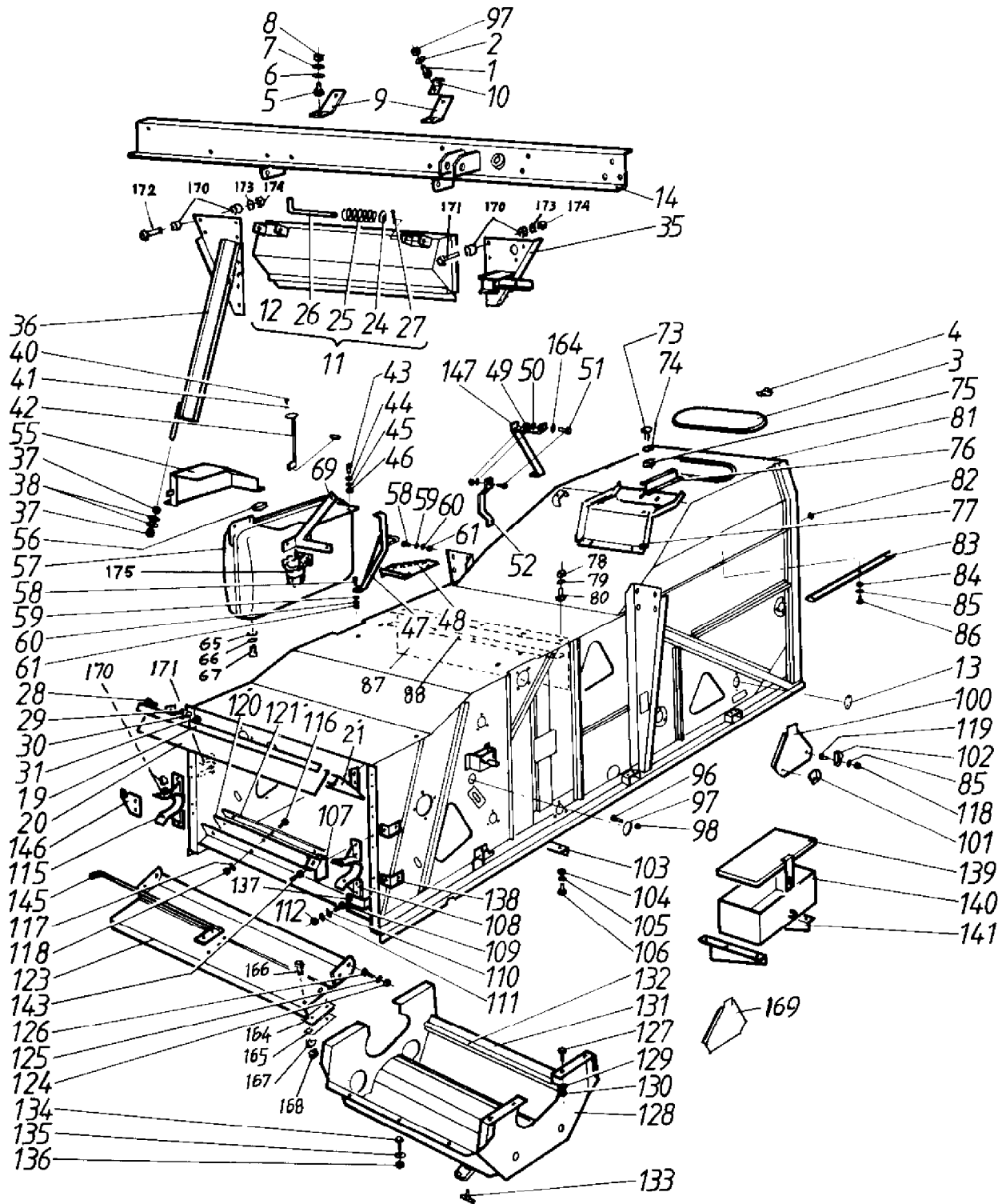
Item	Part Number	Qty	Part Description	Comments
2	SR605488	1	Bearing	
3	S6763544	3	Screw	
4	S7400033	5	Disc	
5	S7414471	5	Lock Washer	
6	S6506434	3	Nut	
9	SR640890	1	Lever	
10	S0415184	1	Spring	
11	S7812114	4	Cotter	
12	SR611456	1	Pin	
13	SR066732	2	Bush	
14	SR596052	1	Shaft	
15	SR074964	1	Wheel	
16	SR073800	1	Guide	
17	SR611453	1	Rod	
18	S6506434	2	Nut	
19	SR640888	1	Rod	
30	SR614695	1	Protector	
31	S6221467	1	Screw	
32	SR613838	1	Holder	
33	S6594038	1	Nut	
34	S7400032	1	Disc	
35	S7400034	1	Washer	
36	S7812116	1	Cotter	
37	SR614701	1	Rod	
38	S6505434	1	Nut	
39	S7414471	2	Lock Washer	
40	S6594148	1	Nut	
41	SR614702	1	Pin	
42	SR592606	1	Protector	
43	SR614698	1	Trunnion	
44	S6506234	2	Nut	
45	S7414469	2	Lock Washer	
46	S6221267	2	Screw	
47	SR605472	1	Stay	
48	S6506234	2	Nut	
49	S7414469	2	Lock Washer	
50	S7400032	2	Disc	
51	S6221267	2	Screw	
52	S6594238	2	Nut	

53	SR592463	2	Latch
54	S6234777	2	Screw
55	SR641431	1	Cover
56	S0657233		Chain Link
57	S0657286		Chain Link
58	S0657293		Chain Link
59	S0657259		Link
60	S0657235		Chain Link
61	SR602492	10	Beater Bar
62	S6594038	40	Nut
63	S7412469	40	Spring Plate
64	S6221260	40	Screw
65	S0657232	2	Chain
70	SR602493	1	Chain
79	SR609572	2	Bush
80	SR593591	1	Drum
81	S7712112	1	Gib Key
82	SR580273	2	Sprocket
83	S7815032	1	Ring
84	SR602494	1	Shaft
85	SR602666	1	Pulley
86	SR611721	1	Table Elevator
87	S7815254	2	Ring
88	S0502367	2	Bearing
89	S6598504	3	Wing Nut
90	SR088645	3	Latch
91	S6506034	3	Nut
92	S7400030	3	Disc
93	S6211667	3	Screw
94	SR592614	2	Arm
95	S7400034	4	Washer
96	S7812152	4	Cotter
97	S0415183	2	Spring
98	S7414473	2	Lock Washer
99	SR609603	2	Tensioner
100	SR096586	2	Bush
101	S6506634	2	Nut
101A	S6594238	8	Nut
102	SR609599	2	Bush
103	S7414062	2	Disc
104	S6232177	2	Screw
105	SR593609	2	Lever
106	SR652449	1	Nut
107	SR066732	1	Bush
108	SR074964	1	Wheel
109	SR596052	1	Shaft

114	SR609735	1	Rod
115	S7812152	2	Cotter
116	SR637124	1	Frame
	SR665343	1	Stand
117	SR636227	1	Ram
118	SR636228	1	Ram
119	SR636229	1	Barrel
	SR636230	1	Barrel
121	SR636231	1	Cylinder Rod
124	S0633950	1	Seal
125	S0633942	1	Seal
127	SR592613	4	Pin
128	S7812204	8	Cotter
129	SR609732	2	Nut
130	SR609728	2	Bush
131	S0400560	2	Damper
132	S0415114	2	Spring
133	S6594038	2	Nut
134	S7400032	2	Disc
135	SR616524	2	Holder
136	S6221467	2	Screw
137	SR616525	2	Bearing
138	SR618482	1	Holder
139	S6221267	3	Screw
140	S7414469	3	Lock Washer
141	S6506234	3	Nut
142	S7400032	3	Disc
143	SR611913	1	Holder
144	SR589643	1	Holder
153	SR634784	1	Protector
154	SR633195	1	Protector
155	SR633193	1	Holder
156	S7717170	2	Wedge
157	SR644658		Cotter
158	SR621299	1	Latch
159	S6758544	1	Screw
160	S7414469	1	Lock Washer
161	S6594038	1	Nut
162	SR643338	1	Protector
164	S7414471	4	Lock Washer
165	SR638253	2	Protector
166	SR627343	1	Protector
167	S6220867	4	Screw
168	S6594038	4	Nut
169	S6210667	4	Screw
170	S7400030	4	Disc

For Germany only or any text in German only.

171	S6593289	4	Nut
172	S7400033	1	Disc
173	S6594148	1	Nut
174	S7815929	1	Latch



AGCO Corporation
Parts List Report

Massey Ferguson (Europe)
MF 430 COMBINE
Page 64 - CASING

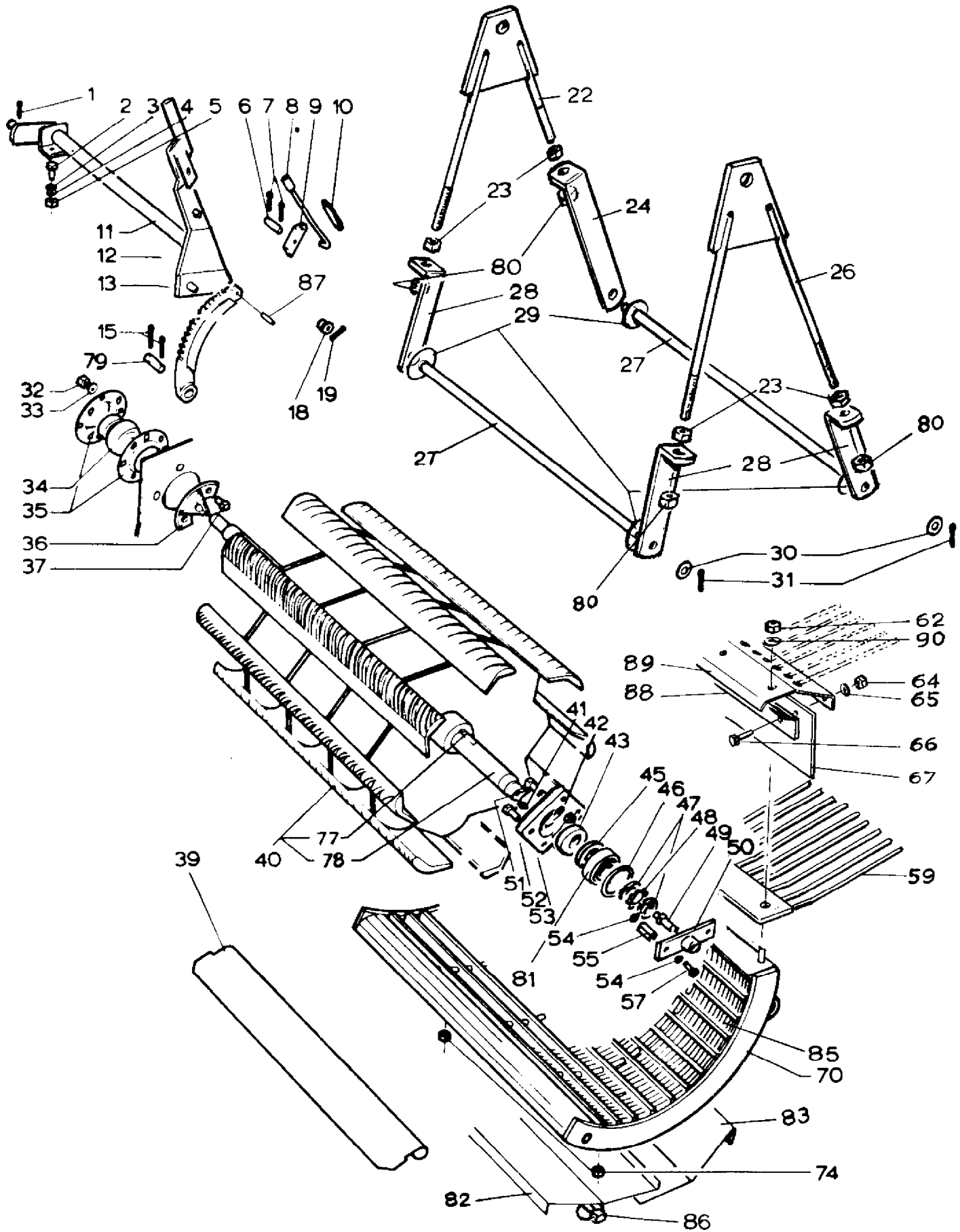
Item	Part Number	Qty	Part Description	Comments
1	S6211067	2	Screw	
2	S7400030	2	Disc	
3	SR641431	1	Cover	
4	SR641432	3	Clip	
5	S6220867	2	Screw	
6	S7400032	2	Disc	
7	S7414469	2	Lock Washer	
8	S6506234	2	Nut	
9	SR611936	2	Holder	
10	SR609517	6	Holder	
11	SR640841	1	Cover	
12	SR640842	1	Cover	
13	SR643342	2	Cover	
14	SR609984	1	Transverse	
15	S6226367	10	Screw	
16	S7414471	10	Lock Washer	
17	S6506434	10	Nut	
19	SR640853	1	Slat	
20	SR640852	1	Joint	
21	SR640849	1	Transverse	
22	S6593838	5	Nut	
23	S7400030	5	Disc	
24	S7400032	2	Disc	
25	S0415134	2	Spring	
26	SR593278	2	Latch	
27	S7812114	2	Cotter	
28	S6226567	4	Screw	
29	S7400033	4	Disc	
30	S7414471	4	Lock Washer	
31	S6506434	4	Nut	
35	SR611413	1	Mounting	
36	SR639929	1	Stand	
37	S6507034	2	Nut	
38	S7414477	2	Lock Washer	
40	S6165314	5	Screw	
41	S0637502	5	Joint	
42	S0294116	1	Sender	
43	S6221467	2	Screw	
44	S7414469	2	Lock Washer	

45	S7400032	2	Disc	
46	S6506234	2	Nut	
47	SR640554	1	Stay	
48	SR605165	1	Stand	
49	S6506234	2	Nut	
50	S7414469	2	Lock Washer	
51	S6220867	2	Screw	
52	SR605672	1	Grip	
53	S6506234	4	Nut	
54	S7414469	4	Lock Washer	
55	SR605170	1	Protector	
56	S0494580	1	Plug	
57	SR593964	1	Container	
58	S6226167	6	Screw	
59	S7414471	6	Lock Washer	
60	S7400033	6	Disc	
61	S6506434	6	Nut	
62	S6506234	5	Nut	
63	S7414469	5	Lock Washer	
64	S7400032	5	Disc	
65	S0633210	1	O Ring	
66	SR600193	1	Joint	
67	S6230927	1	Screw	
68	S6221267	5	Screw	
69	SR630194	1	Stay	
73	S6211467		Screw	
74	S7414465		Lock Washer	
75	SR621499		Clip	
76	S6561112		Clip	
77	SR614165	2	Pedestal	
78	S6506034	5	Nut	
79	S7414465	5	Lock Washer	
80	S6211067	5	Screw	
81	SR593692	1	Housing	
82	S0633567	2	Insulator	
84	S6506034		Nut	
85	S7414465		Lock Washer	
86	S6211467		Screw	
87	SR605028	1	Cloth	
88	SR605029	1	Slat	
96	S6211067		Screw	
97	SR024003	2	Cover	
98	S6593838		Nut	
100	SR622307	3	Flap	
101	SR622309	5	Clamping Device	Left Hand
102	SR622308	5	Clamping Device	Right Hand

103	SR605980	1	Stop	
104	S6506434	2	Nut	
105	S7414471	2	Lock Washer	
106	S6226167	2	Screw	
107	SR612730	1	Holder	
108	SR593802	1	Fork	Left Hand
109	S6231367	6	Screw	
110	S7400034	8	Washer	
111	S7414473	8	Lock Washer	
112	S6506634	8	Nut	
115	SR592272	1	Fork	Right Hand
116	S6211467	4	Screw	
117	S7400030	4	Disc	
118	S6593838		Nut	
119	S6210667		Screw	
120	SR592466	1	Joint	
121	SR592465	1	Slat	
123	SR614307	1	Stone Trap	
124	S6506234	6	Nut	
125	S7414469	6	Lock Washer	
126	S6221467	6	Screw	
127	S6225767	8	Screw	
128	SR639952	1	Housing	
129	S7414471	8	Lock Washer	
130	S6506434	8	Nut	
131	SR593484	1	Joint	
132	SR593485	1	Slat	
133	SR592162	6	Screw	
134	S6221267	4	Screw	
135	S7400032	4	Disc	
136	S6594038	4	Nut	
137	SR589643	1	Holder	
138	SR611935	2	Holder	
139	SR096842	1	Cover	
140	SR605352	1	Tool Box	
141	SR602357	2	Holder	
143	S6231767	2	Screw	
144	SR079318	1	Tension Spring	
145	SR640510	1	Lever	
146	SR640513	1	Holder	
147	SR640575	1	Step	
164	SR652408	2	Joint	
165	SR652409	2	Holder	
166	S6210667	4	Screw	
167	S7400030	4	Disc	
168	S6593838	4	Nut	

169	SR656739	2	Flap
170	SR659414	20	Disc
171	S6202190	4	Screw
172	S6232570	4	Screw
173	S7414473	8	Lock Washer
174	S6506634	8	Nut
175			Engine

KELA JA VARSTASILTA
CYLINDER OCH SLAGSKO
DRUM AND CONCAVE
DRESCHTROMMEL UND -KORB
BATTEUR ET CONTRE BATTEUR



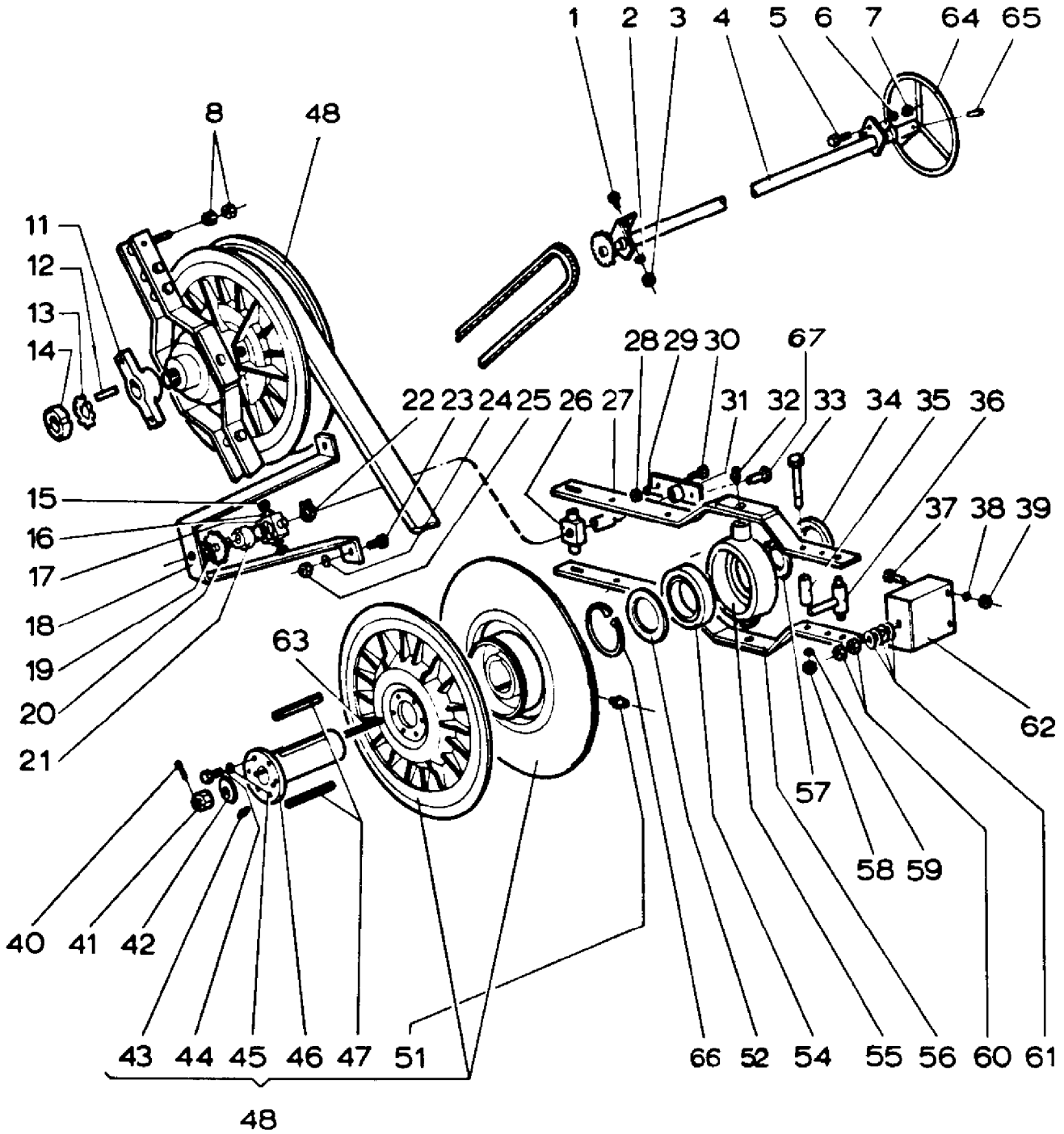
AGCO Corporation
Parts List Report

Massey Ferguson (Europe)
MF 430 COMBINE
Page 68 - DRUM AND CONCAVE

Item	Part Number	Qty	Part Description	Comments
1	S7812156	2	Cotter	
2	S6226367	4	Screw	
3	S7400034	4	Washer	
4	S7414471	4	Lock Washer	
5	S6506434	4	Nut	
6	SR609846	1	Pin	
7	S7812116	2	Cotter	
8	SR609843	1	Lever	
9	SR593864	1	Pawl	
10	S0415109	1	Spring	
11	SR643321	1	Lever	
12	S7814093	1	Roll Pin	
13	SR593863	1	Rack	
15	S7812156	2	Cotter	
16	S7400030	4	Disc	
17	S6210667	4	Screw	
18	SR593850	1	Spacer	
19	S7812156	1	Cotter	
22	SR643331	1	Rod	
23	S6506634	8	Nut	
24	SR592205	1	Stay	
26	SR643330	1	Rod	
27	SR592203	2	Axle	
28	SR618674	3	Adjuster	
29	SR049307	4	Joint	
30	S7400036	4	Disc	
31	S7814145	4	Roll Pin	
32	S6594238	4	Nut	
33	S7414473	4	Lock Washer	
34	S0511228	1	Bearing Ball	
35	S0569324	2	Flange	From Serial or Engine Number 528803
	SR661454	2	Flange	From Serial or Engine Number 528813
36	SR595738	1	Protector	
37	S5231360	4	Screw	
39	SR614306	1	Deflector	
40	SR618942	1	Threshing Cyl	
41	S0252445	1	Nipple	
42	SR090019	1	Flange	
43	S0505058	1	Bearing	

45	SR090023	1	Ring
46	S7815258	1	Circlip
47	S0563008	2	Nut
48	S0562008	1	Disc
49	SR592239	1	Pin
50	SR592237	1	Holder
51	S6231360	4	Screw
52	S7414473	4	Lock Washer
53	S6506634	4	Nut
54	S7414473	2	Lock Washer
55	SR592240	2	Nut
57	S6210667	2	Screw
59	SR629440	1	Extension
62	S6594038	6	Nut
65	S7400030	7	Disc
66	S6211067	7	Screw
67	SR605101	1	Cloth
70	SR614299	1	Concave
74	S6594148	2	Nut
77	S7712215	3	Gib Key
78	SR592221	1	Shaft
79	SR608899	1	Clevis Pin
80	S6594238	4	Nut
81	S0502323	1	Bearing
82	SR617430	1	Slat
83	SR617431	1	Slat
84	SR609946	1	Slat
85	SR638403	98	Wire
86	S7814285	1	Linch Pin
87	S7814196	1	Peg
88	SR652438	1	Slat
89	SR652437	1	Rail
90	S7400032	6	Disc

KELAMUUTIN
CYLINDERVARIATOR
CYLINDER VARIATOR
DRESCHTROMMELVARIATOR
VARIATEUR DU BATTEUR



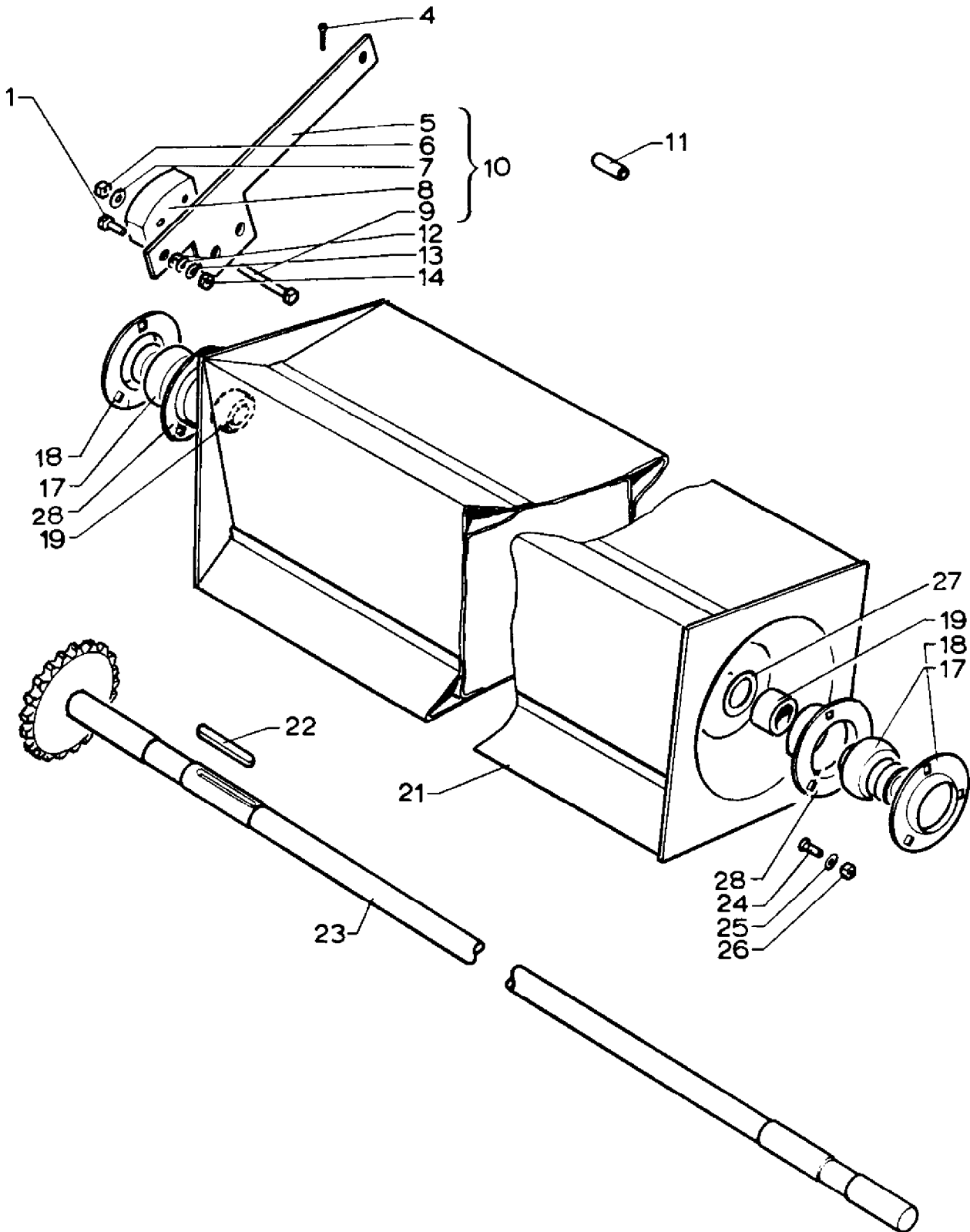
AGCO Corporation
Parts List Report

Massey Ferguson (Europe)
MF 430 COMBINE
Page 70 - CYLINDER VARIATOR

Item	Part Number	Qty	Part Description	Comments
1	S6221267	2	Screw	
2	S7414469	2	Lock Washer	
3	S6506234	2	Nut	
4	SR609629	1	Shaft	
5	S6221267	2	Screw	
6	S7414469	2	Lock Washer	
7	S6506234	2	Nut	
8	S6506634	2	Nut	
11	SR613838	1	Holder	
12	SR592183	1	Wedge	
13	S0562009	2	Tooth Washer	
14	S0563009	1	Nut	
15	S6210667	2	Screw	
16	S7414465	2	Lock Washer	
17	SR580271	1	Holder	
18	SR646318	1	Stand	
19	SR609638	2	Disc	
20	SR646321	1	Screw	
21	SR580415	1	Nut	
22	S7815032	1	Ring	
23	S6226367	2	Screw	
24	S7414471	2	Lock Washer	
25	S6506434	2	Nut	
26	SR580414	1	Nut	
27	SR580401	2	Arm	
28	S6506434	2	Nut	
29	S7414471	2	Lock Washer	
30	S6226367	2	Screw	
31	SR592187	1	Bearing	
32	S0252420	1	Nipple	Up to Serial or Engine Number 533504
	S6252405	1	Nipple	From Serial or Engine Number 533514
33	S6228577	8	Screw	
34	S0639822	2	Packing	Up to Serial or Engine Number 522504
35	SR580417	8	Bush	
36	SR580408	2	Pin	
37	S6226367	2	Screw	
38	S7414471	2	Lock Washer	
39	S6506434	2	Nut	
40	S7812164	1	Cotter	

41	S6537236	1	Nut	
42	SR592186	1	Disc	
43	S0252405	1	Nipple	
44	S6226767	6	Screw	
45	S7414471	6	Lock Washer	
46	SR592149	2	Hub	
47	SR614663	2	Wedge	
48	SR602665	2	Variator	
51	S0252420	2	Nipple	
52	SR617408	2	Cover	Up to Serial or Engine Number 533504
54	S0502036	2	Bearing	Up to Serial or Engine Number 533504
	S0502037	2	Bearing	From Serial or Engine Number 533514
55	SR617407	2	Bearing Housing	
56	SR580401	2	Arm	
57	S7815060	2	Circlip	
58	S6506434	8	Nut	
59	S7414471	8	Lock Washer	
60	S6506634	2	Nut	
61	S0410122	6	Cup Spring	
62	SR592193	1	Stop	
63	SR580421	2	Wedge	
64	SR618484	1	Handwheel	
65	S7814141	1	Roll Pin	
66	S7815990	2	Circlip	Up to Serial or Engine Number 533504
67	S6763544	1	Screw	

OLKIKELA
 HALMCYLINDER
 STRIPPER BEATER
 STROHWENDETROMMEL
 TIRE-PAILLE

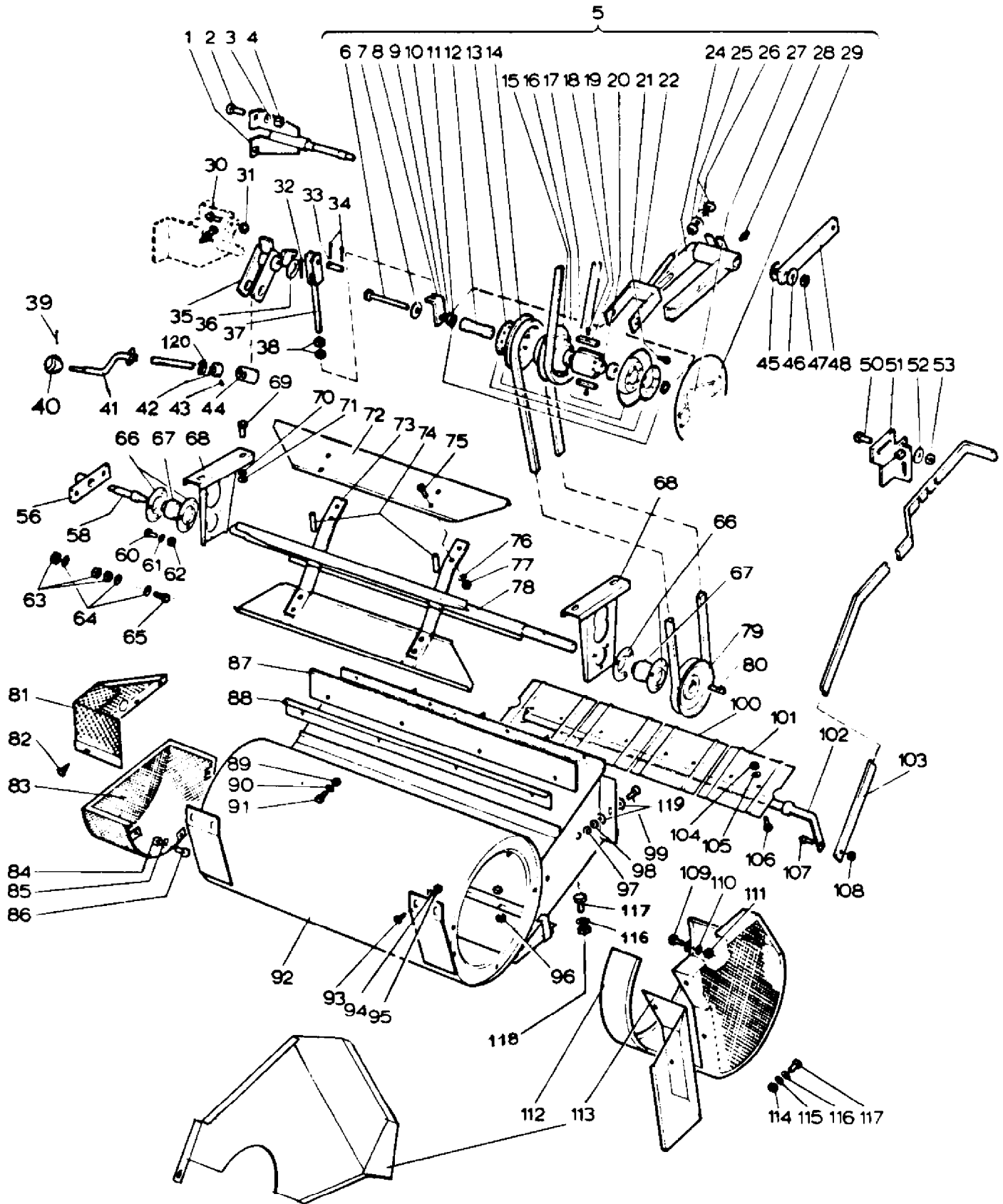


AGCO Corporation
Parts List Report

Massey Ferguson (Europe)
MF 430 COMBINE
Page 72 - STRIPPER BEATER

Item	Part Number	Qty	Part Description	Comments
1	S6221467	1	Screw	
4	S7812078	1	Cotter	
5	SR594157	1	Arm	
6	S6594038	2	Nut	
7	S7414057	2	Disc	
8	SR593788	1	Tensioner	
9	S6222677	2	Screw	
10	SR594156	1	Arm	
11	SR594161	1	Bush	
12	S7400032	2	Disc	
13	S7414469	1	Lock Washer	
14	S6506234	1	Nut	
17	S0511223	2	Bearing	
18	S0569322	2	Flange	
19	SR638329	2	Bush	
21	SR636464	1	Beater	
22	S7716117	1	Wedge	
23	SR636311	1	Shaft	
24	S6758344	6	Screw	
25	S7414469	6	Lock Washer	
26	S6594038	6	Nut	
27	SR617398	4	Flange	
28	SR640701	2	Antiwinder	

74
 LIETSO
 FLÄKT
 FAN
 GEBLÄSE
 VENTILATEUR



AGCO Corporation
Parts List Report

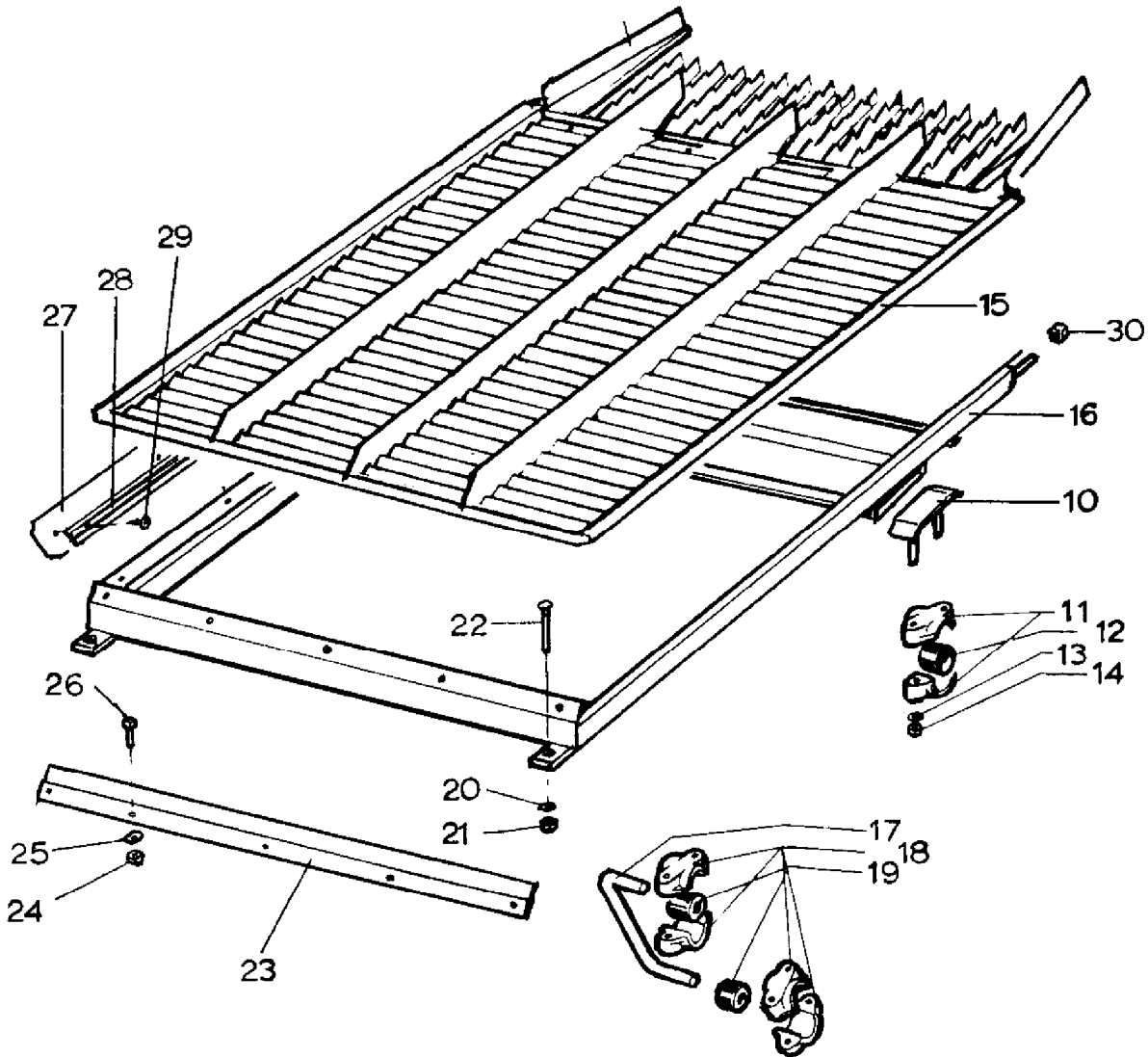
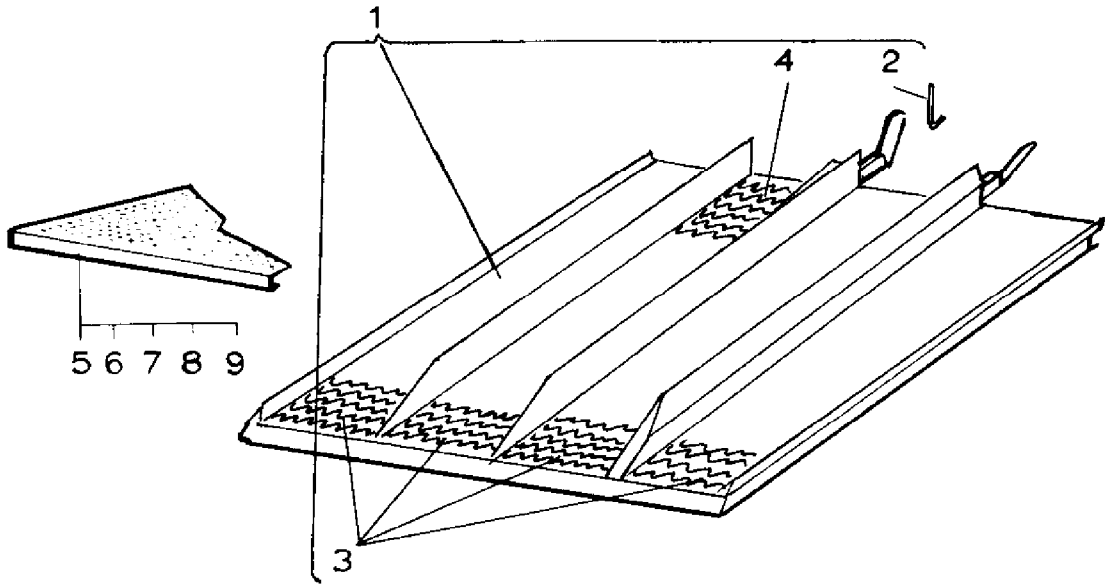
Massey Ferguson (Europe)
MF 430 COMBINE
Page 74 - FAN

Item	Part Number	Qty	Part Description	Comments
1	SR593610	1	Axle	
2	S6763544	4	Screw	
3	S7400033	4	Disc	
4	S6506434	4	Nut	
5	SR609699	1	Variator	
6	S6229777	1	Screw	
7	S7400033	3	Disc	
8	SR609799	1	Holder	
9	SR612997	1	Bush	
10	S7414396	1	Disc	
11	S7815022	2	Circlip	
12	SR609783	1	Shaft	
13	SR609784	2	Flange	
14	SR593295	2	Pulley	
15	SR609700	1	Pulley	
16	S0502340	2	Bearing	
17	SR609701	1	Hub	
18	S6162914	2	Screw	
19	SR609702	2	Wedge	
20	SR609986	1	Bush	
21	S6220867	12	Screw	
	S7414469	12	Lock Washer	
22	SR605000	1	Fork	
24	SR593616	1	Fork	
25	S6506434	3	Nut	
26	S7400033	3	Disc	
27	S6506431	3	Nut	
28	S0252405	1	Nipple	
29	SR605984	1	Protector	
30	S6221667	2	Screw	
31	S6506234	2	Nut	
32	S7812204	1	Cotter	
33	SR590010	1	Pin	
34	S7812116	2	Cotter	
35	SR609792	1	Lever	
36	S7400038	1	Disc	
37	SR609796	1	Lever	
38	S6506434	2	Nut	
39	S7814069	1	Roll Pin	

40	S0879935	1	Knob
41	SR659523	1	Crank
42	SR602398	1	Bush
43	S7814141	1	Roll Pin
44	SR596051	1	Adjusting Nut
45	S7414481	1	Lock Washer
46	S7400034	1	Washer
47	S6506634	1	Nut
48	SR640507	1	Strap
50	S6211067	1	Screw
51	SR605071	1	Holder
52	S7414465	1	Lock Washer
53	S6593838	1	Nut
56	SR592237	1	Holder
58	SR593486	1	Pin
60	S6220867	3	Screw
61	S7414469	3	Lock Washer
62	S6506234	3	Nut
63	S6506434	6	Nut
64	S7400033	6	Disc
65	S6227577	2	Screw
66	S0569321	4	Flange
67	S0511222	2	Bearing
68	SR592038	2	Support
69	S6225767	4	Screw
70	S7414471	4	Lock Washer
71	S6506434	4	Nut
72	SR593480	4	Wing
73	SR593477	2	Holder
74	S7814209	2	Roll Pin
75	S6211467	16	Screw
76	S7414465	16	Lock Washer
77	S6506034	16	Nut
78	SR593476	1	Shaft
79	SR609785	1	Pulley
80	S7712050	1	Gib Key
81	SR614413	1	Protector
82	S7266208	5	Screw
83	SR593488	1	Protector
84	S6506234	3	Nut
85	S7414469	3	Lock Washer
86	S6220467	3	Screw
87	SR593484	1	Joint
88	SR593485	1	Slat
89	S6506034	4	Nut
90	S7400030	4	Disc

91	S6211067	4	Screw
92	SR593181	1	Housing
93	S6220867	4	Screw
94	S7414469	4	Lock Washer
95	S6506234	4	Nut
96	S6506234	6	Nut
97	S6506434	2	Nut
98	S7414471	2	Lock Washer
99	S6225767	2	Screw
100	SR602226	2	Deflector
101	SR602225	2	Deflector
102	SR602223	1	Shaft
103	SR605070	1	Arm
104	S6506034	8	Nut
105	S7414465	8	Lock Washer
106	S6210667	8	Screw
107	S6210667	8	Screw
108	S6593838	1	Nut
109	S6220467	3	Screw
110	S7414465	3	Lock Washer
111	S6506234	3	Nut
112	SR614982	1	Protector
113	SR643851	1	Protector
114	S6506234	4	Nut
115	S7414469	6	Lock Washer
116	S7400032	6	Disc
117	S6220867	4	Screw
118	S6594038	4	Nut
119	S0400588	4	Damper
120	S7400036		Disc

HEITTOKULJETIN JA SEULAT
KASTTRANSPORTÖR OCH SÄLL
GRAIN PAN AND SIEVES
KÖRNERBODEN UND SIEBE
RECEPTEUR A GRAINS ET GRILLES

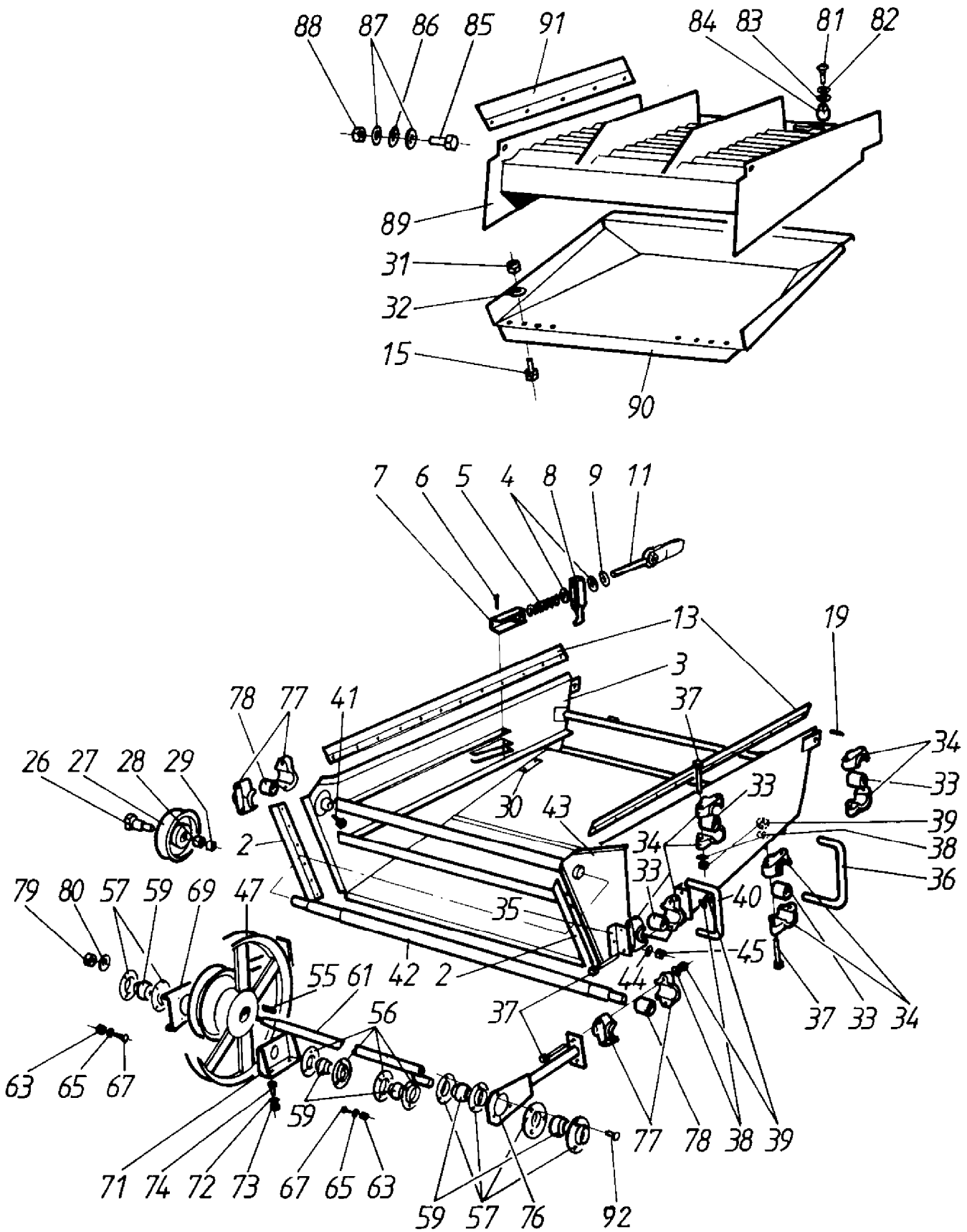


AGCO Corporation
Parts List Report

Massey Ferguson (Europe)
MF 430 COMBINE
Page 78 - GRAIN PAN AND SIEVES

Item	Part Number	Qty	Part Description	Comments
1	SR630422	1	Sieve	
2	SR638317	2	Spring	
3	SR621940		Sieve	
4	SR630424		Sieve	
5	SR609550	1	Sieve	
6	SR609551	1	Sieve	
7	SR609552	1	Sieve	
8	SR609553	1	Sieve	
9	SR609554	1	Sieve	
10	SR643303	3	Holder	
11	SR593302	6	Bearing Housing	
12	S0633823	3	Bush	
13	S7414471	6	Lock Washer	
14	S6506434	6	Nut	
15	SR630655	1	Grain Pan	
16	SR630644	1	Frame	
17	SR593500	2	Lever	
18	SR593302	8	Bearing Housing	
19	S0633847	4	Bush	
20	S7414471	4	Lock Washer	
21	S6506434	4	Nut	
22	S6765744	4	Screw	
23	SR616614	1	Joint	
24	S6593838	5	Nut	
25	S7400030	5	Disc	
26	S6211067	5	Screw	
27	SR630667	2	Joint	
28	SR630668	2	Slat	
29	S7266308	26	Screw	
30	S6594148	2	Nut	

SEULASTO
SÄLLHUS
SHAKER SHOE
SIEBKASTEN
COFFRE DE NETTOYAGE



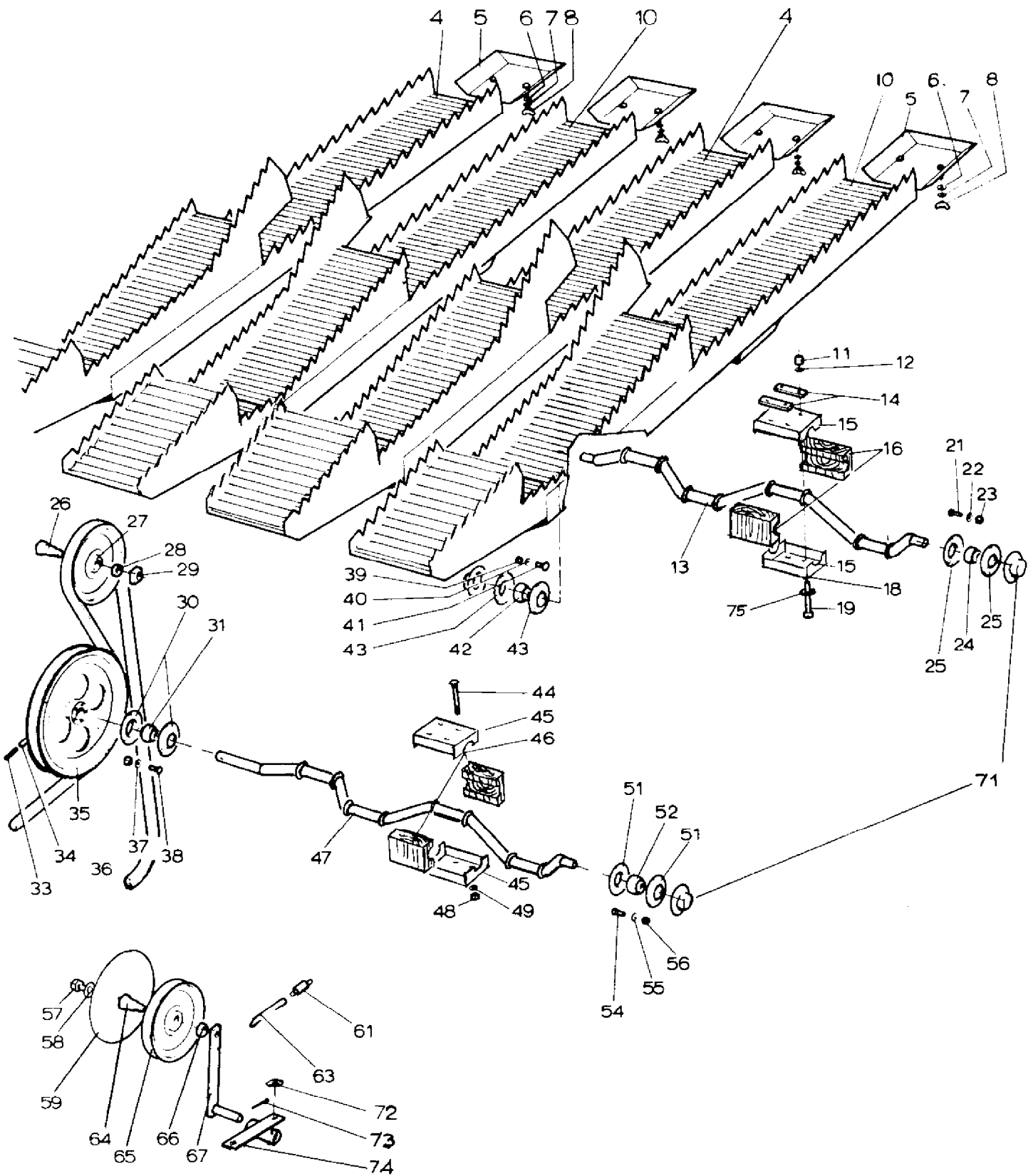
AGCO Corporation
Parts List Report

Massey Ferguson (Europe)
MF 430 COMBINE
Page 80 - SHAKER SHOE

Item	Part Number	Qty	Part Description	Comments
2	SR602206	2	Joint	
3	SR646697	1	Case	
4	S7400033	4	Disc	
5	S0415119	2	Spring	
6	S7812307	2	Cotter	
7	SR593276	2	Holder	
8	SR593270	2	Holder	
9	S7414471	2	Lock Washer	
11	SR620232	2	Lever	
13	SR594195	2	Joint	
15	S6210667	8	Screw	
19	S7266208	34	Screw	
26	SR596052	1	Shaft	
27	SR586987	1	Tightener	
28	SR066732	1	Bush	
29	S9595515	1	Nut	
30	SR593279	2	Disc	
31	S6593838	8	Nut	
32	S7400330	8	Disc	
33	S0633822	8	Bush	
34	SR593302	16	Bearing Housing	
35	SR593497	4	Holder	
36	SR593499	2	Lever	
37	S6228567	20	Screw	
38	S7414471	20	Lock Washer	
39	S6506434	20	Nut	
40	SR593498	2	Lever	
41	S6225767	3	Screw	
42	SR634726	1	Shaft	
43	S6220867	6	Screw	
44	S7414469	6	Lock Washer	
45	S6506234	6	Nut	
47	SR614271	1	Pulley	
55	S7717156	1	Wedge	
56	SR614209	4	Flange	
57	S0569322	4	Flange	
59	S0511057	4	Bearing Ball	
61	SR614203	1	Shaft	
63	S6506434		Nut	

65	S7414471		Lock Washer
67	S6226167		Screw
69	SR614201	1	Pitman
71	SR614204	1	Support
76	SR614202	1	Pitman
77	SR593302	4	Bearing Housing
78	S0633822	2	Bush
79	S6506434	1	Nut
80	SR605092	1	Disc
81	S6758344	2	Screw
	S6763344	2	Screw
82	S7400032	2	Disc
83	S7414469	2	Lock Washer
	S7414471	2	Lock Washer
84	S6598704	2	Wing Nut
	SR648787	2	Nut
85	S6226367	2	Screw
86	S7490995	2	Disc
87	S7414471	4	Lock Washer
88	S6594148	2	Nut
89	SR652056	1	Extension
90	SR652068	1	Sheet Metal
91	SR652065	2	Joint
92	S6763344	1	Screw

**KOHLIMET
SKAKARE
STRAW WALKERS
STROHSCHÜTTLER
SECOUEURS**



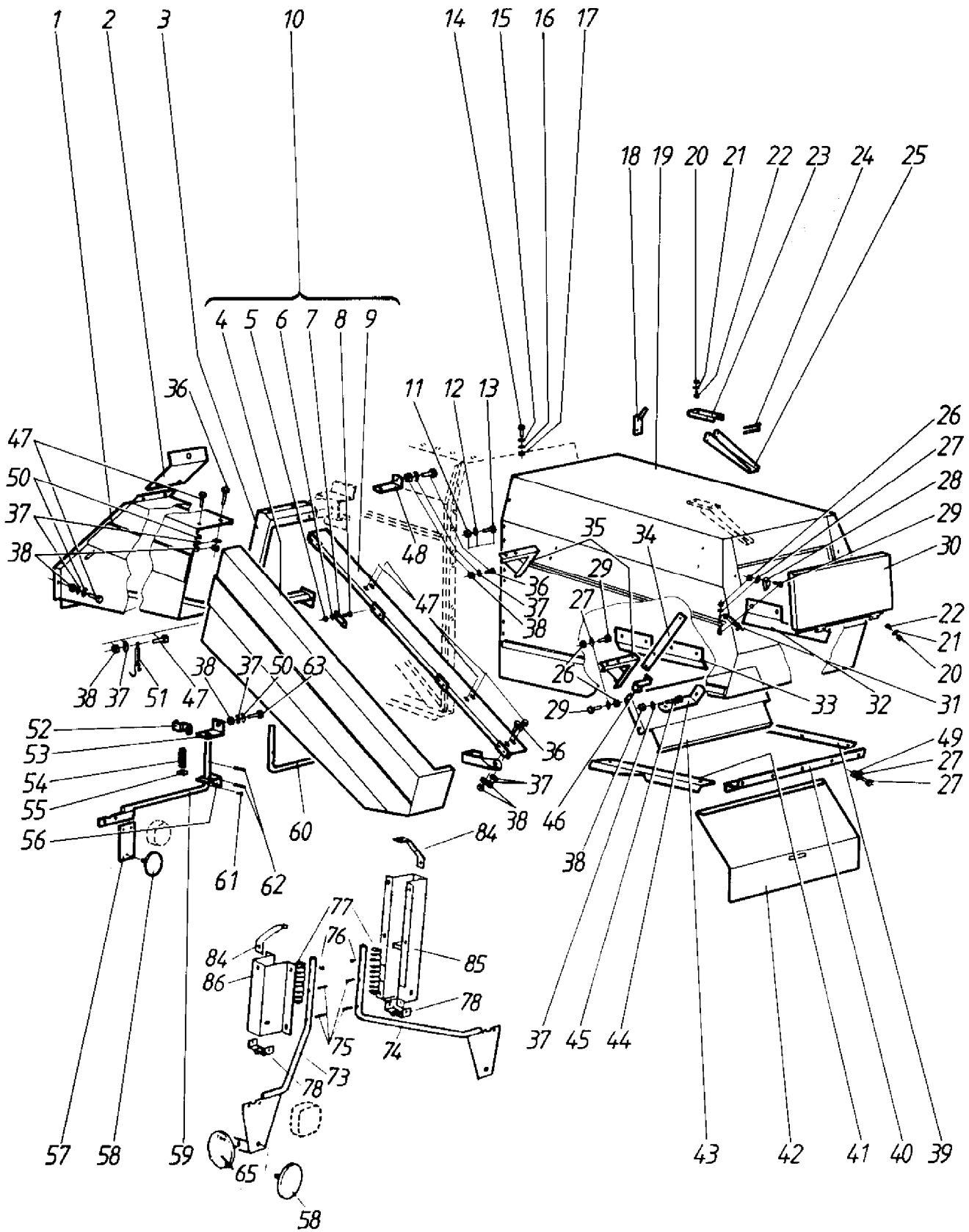
AGCO Corporation
Parts List Report

Massey Ferguson (Europe)
MF 430 COMBINE
Page 82 - STRAW WALKERS

Item	Part Number	Qty	Part Description	Comments
4	SR643779	2	Shaker	Right Hand
5	SR605019	4	Extension	
6	S7414055	8	Disc	
8	S6593838	8	Nut	
10	SR643778	2	Shaker	Left Hand
11	S6594038	16	Nut	
12	S7400032	16	Disc	
13	SR652439	1	Crankshaft	
14	SR592397	8	Locking Plate	
15	SR640871	8	Cover	
16	SR652444	4	Bearing	
18	S7400032	16	Disc	
19	S6224070	16	Screw	
21	S6758544	3	Screw	
22	S7414469	6	Lock Washer	
23	S6506234	6	Nut	
24	S0511051	1	Bearing Ball	
25	S0569320	2	Flange	
26	SR596052	1	Shaft	
27	SR586987	1	Tightener	
28	SR066732	1	Bush	
29	S9595515	1	Nut	
30	S0569321	2	Flange	
31	S0511054	1	Bearing Ball	
33	S7814149	1	Roll Pin	
34	S7814025	1	Roll Pin	
35	SR637302	1	Pulley	
36	S6506234	3	Nut	
37	S7414469	3	Lock Washer	
38	S6758144	3	Screw	
39	S6506234	6	Nut	
40	S7414469	6	Lock Washer	
41	S6758544	3	Screw	
42	S0511051	1	Bearing Ball	
43	S0569320	2	Flange	
44	S6761114	16	Screw	
45	SR640871	8	Cover	
46	SR652444	4	Bearing	
47	SR652440	1	Crankshaft	

48	S6594038	16	Nut
49	S7414057	16	Disc
51	S0569320	2	Flange
52	S0511051	1	Bearing Ball
54	S6758544	3	Screw
55	S7414469	6	Lock Washer
56	S6506234	6	Nut
57	S6220467	1	Screw
58	S7400032	1	Disc
59	SR609734	1	Protector
61	S0415179	1	Tension Spring
63	SR632992	1	Hook
64	SR603157	1	Pin
65	SR586987	1	Tightener
66	SR066732	1	Bush
67	SR605118	1	Arm
71	SR634692	3	Protector
72	S7414059	1	Disc
73	S7814116	1	Roll Pin
74	SR630191	1	Bearing
75	S7414057	16	Disc

OLKIKUPU
HALMKUPA
CHAFF HOOD
STROHHAUBE
CAPOT ARRIERE



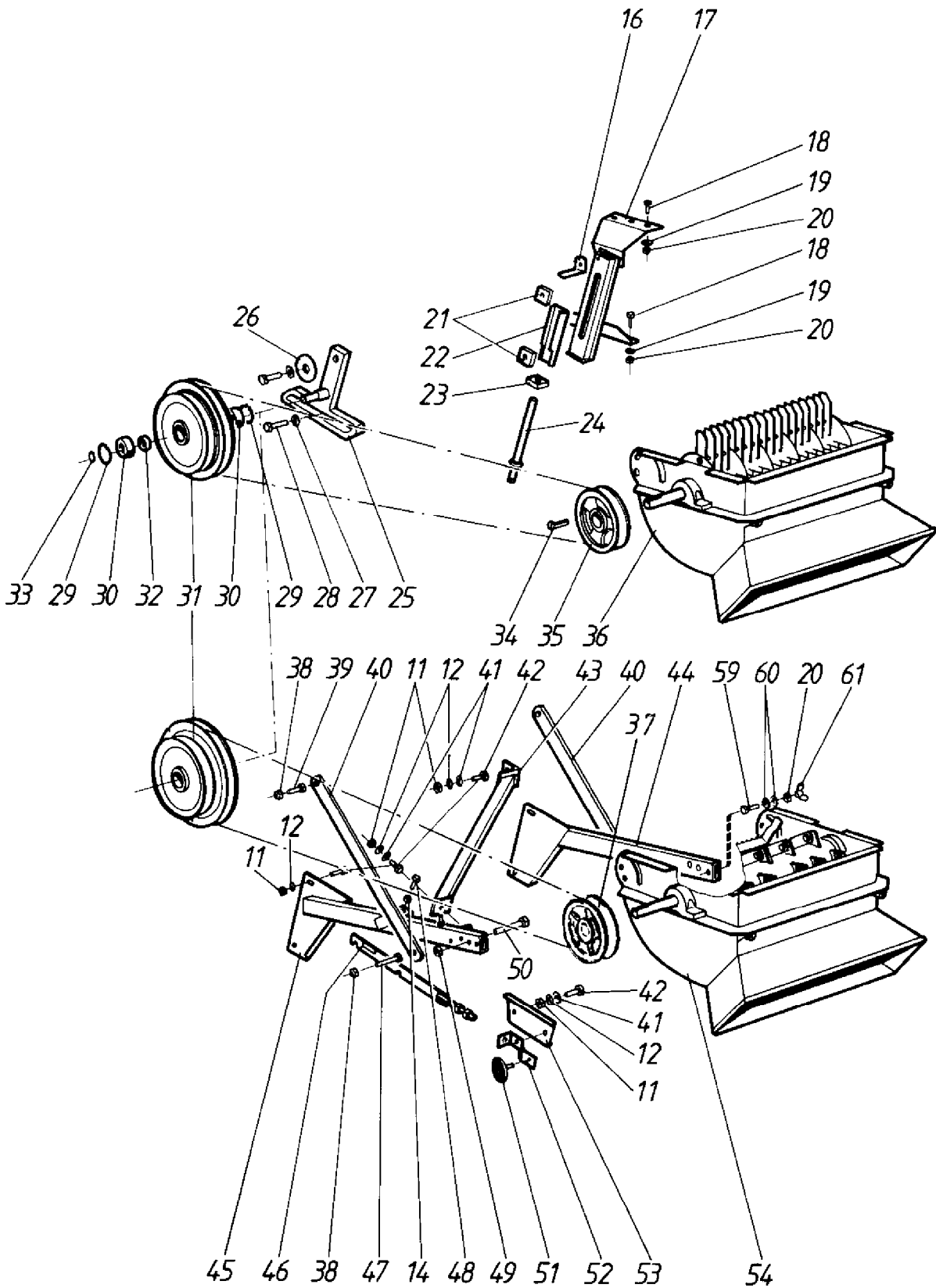
AGCO Corporation
Parts List Report

Massey Ferguson (Europe)
MF 430 COMBINE
Page 84 - CHAFF HOOD

Item	Part Number	Qty	Part Description	Comments
1	SR617103	1	Protector	
2	SR618493	1	Sheet Metal	
3	SR617108	1	Holder	
4	SR616554	1	Protector	
5	S6506034		Nut	
6	S7414465		Lock Washer	
7	SR096755	5	Plate	
8	S6210667		Screw	
9	SR609982	1	Slat	
10	SR616553	1	Protector	
11	S6506434	4	Nut	
12	S7414471	4	Lock Washer	
13	S6226367	4	Screw	
14	S6220867		Screw	
15	S7400032		Disc	
16	S7414469		Lock Washer	
17	S6506234		Nut	
18	SR652199	1	Stand	
19	SR616638	1	Hood	
20	S6505604	3	Nut	
21	S7461285	3	Disc	
22	S6162914	3	Screw	
23	SR092313	1	Holder	
24	S7812168	2	Cotter	
25	SR092312	1	Lever	
26	S6593838		Nut	
27	S7414465		Lock Washer	
28	SR593586	2	Latch	
29	S6210667		Screw	
30	SR593581	1	Cover	
31	SR079318	1	Tension Spring	
32	SR646332	1	Slat	Right Hand
33	SR646331	1	Protector	Left Hand
34	SR609904	1	Stiffener	
35	SR617113	2	Stand	
36	S6220867		Screw	
37	S7414469		Lock Washer	
38	S6506234		Nut	
39	SR609848	1	Slat	

40	SR613851	1	Slat	
41	SR609847	1	Slat	
42	SR643202	1	Protector	
43	SR609805	1	Deflector	
44	SR643672	1	Holder	
45	S6221877	1	Screw	
47	S6220467		Screw	
48	SR643673	1	Holder	
49	S6506034		Nut	
50	S7400032		Disc	
51	SR605043	1	Tension Spring	
52	SR077670	1	Holder	
53	SR602417	2	Fastener	
54	S0415204	2	Spring	
55	S7400038	2	Disc	
56	SR602418	2	Fastener	
57	SR090680	2	Bracket	
58	S8020235	2	Reflector	
59	SR602421	1	Arm	
60	SR640697	1	Arm	
61	S7267302	2	Screw	
62	S7814177	4	Roll Pin	
63	S6621267	2	Bolt	
65	S8020234	2	Reflector	For Germany only or any text in German only.
73	SR659434	1	Arm	For Germany only or any text in German only. Left Hand
74	SR659435	1	Arm	For Germany only or any text in German only. Right Hand
75	S7814205	4	Roll Pin	For Germany only or any text in German only.
76	S7266208	2	Screw	For Germany only or any text in German only.
77	S0415250	2	Spring	For Germany only or any text in German only.
78	SR643524	2	Holder	For Germany only or any text in German only.
84	SR659442	2	Holder	For Germany only or any text in German only.
85	SR659440	1	Holder	For Germany only or any text in German only.
86	SR659438	1	Holder	For Germany only or any text in German only.

SILPPURIN KANNATIN
 STÖD FÖR HÖCKER
 SUPPORT FOR STRAWCHOPPER
 STÜTE FÜR STROHHÄCKLES
 SUPPORT POUR HACHE-PAILLE



AGCO Corporation
Parts List Report

Massey Ferguson (Europe)

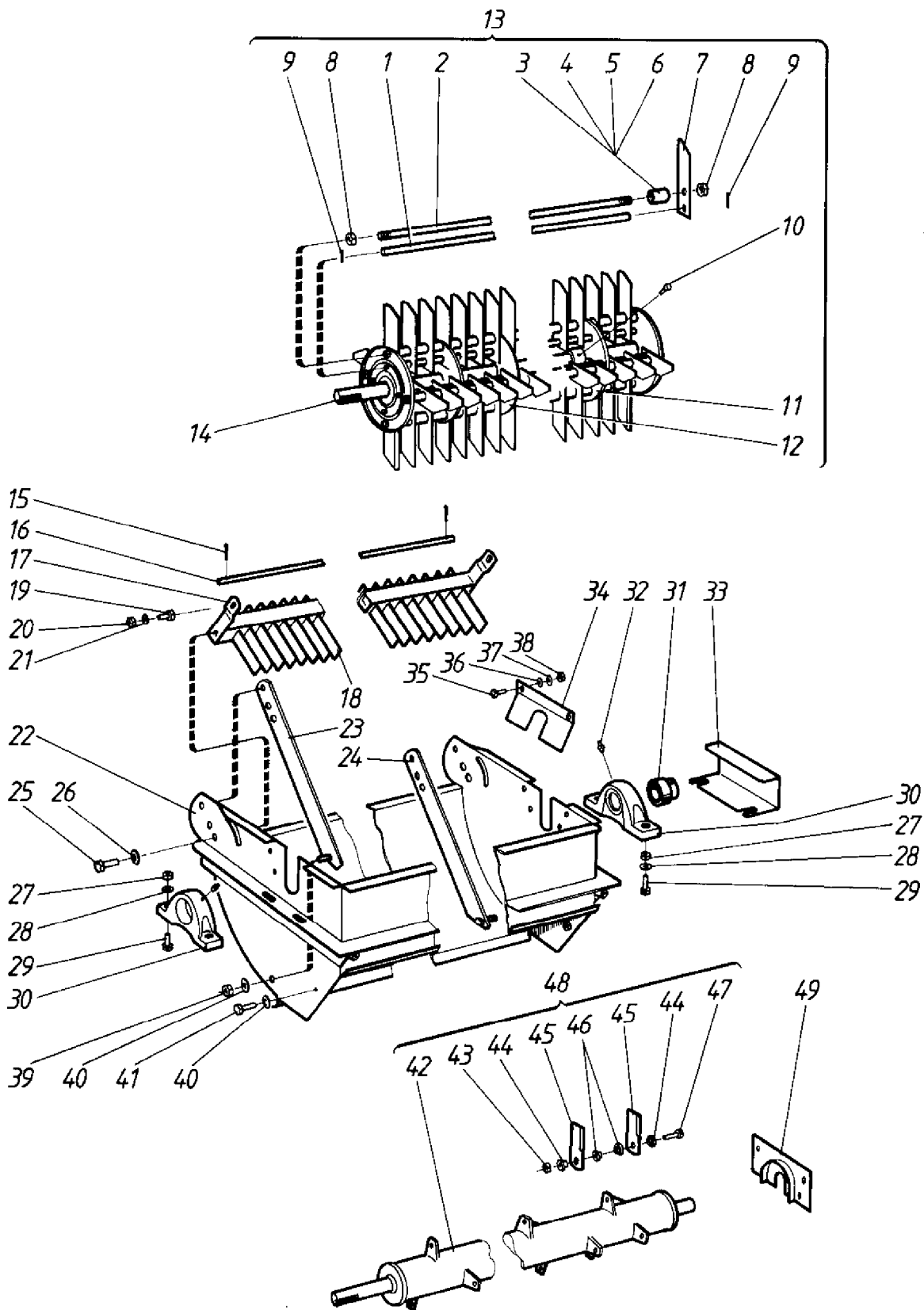
MF 430 COMBINE

Page 86 - SUPPORT FOR STRAWCHOPPER

Item	Part Number	Qty	Part Description	Comments
11	S6506434		Nut	
12	S7414471		Lock Washer	
14	S6506634		Nut	
16	SR643673	1	Holder	
17	SR640966	1	Housing	
18	S6220867		Screw	
19	S7414469		Lock Washer	
20	S6506234		Nut	
21	SR640979	2	Nut	
22	SR640974	1	Slide	
23	SR640987	1	Nut	
24	SR640984	1	Adjusting Screw	
25	SR640980	1	Lever	
26	SR643685	1	Holder	
27	S7400036	2	Disc	
28	S6241367	2	Screw	
29	S7815238	1	Circlip	
30	S0502364	2	Bearing	
31	SR639141	1	Pulley	
32	SR639144	1	Bush	
33	S7815017	1	Ring	
34	S7712113	1	Wedge	
35	SR608758	1	Pulley	
36	S0498195	1	Shredder	
37	SR652354	1	Pulley	
38	S6594238		Nut	
39	S6231167		Screw	
40	SR646286	2	Rod	
41	S7400033		Disc	
42	S6226367		Screw	
43	SR605698	1	Stand	
44	SR605686	1	Body Pillar	
45	SR605685	1	Body Pillar	
46	SR605702	2	Rod	
47	S6232577	2	Screw	
48	S6232567	2	Screw	
49	S6594438	2	Nut	
50	S6242977	2	Screw	
51	S8020234	2	Reflector	

52	SR613927	2	Holder
53	SR640995	2	Stand
54	S0498196	1	Housing
59	S6223067	1	Screw
60	S7412057	2	Washer
61	S6598704	1	Wing Nut

SILPPURI
HACKEN
STRAW CUTTER
STROHHÄCKSLER
HACHE-PAILLE



AGCO Corporation
Parts List Report

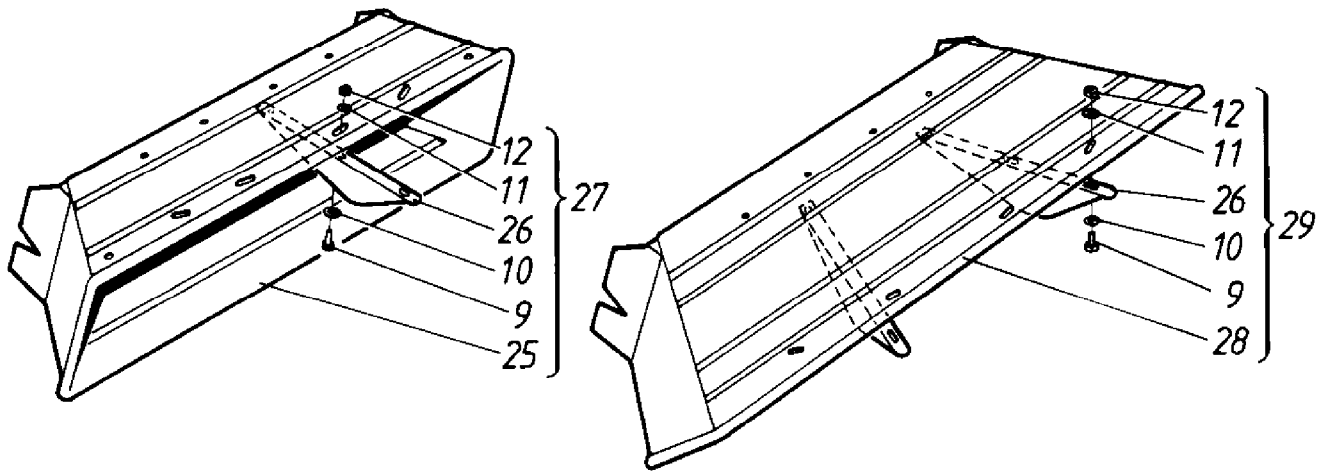
Massey Ferguson (Europe)
MF 430 COMBINE
Page 88 - STRAW CUTTER

Item	Part Number	Qty	Part Description	Comments
1	S0480932	4	Rod	
2	S0480933	4	Rod	
3	S0480948	10	Bush	20 MM
4	S0480903	14	Bush	24.5 MM
5	S0480904	10	Bush	44.5 MM
6	S0480905	56	Bush	46.5 MM
7	S0480906	80	Knife	
8	S0480944	2	Nut	
9	S7812304	2	Cotter	
10	S0480930	2	Screw	
11	S0480928	2	Sheet Metal	
12	S0480929	3	Disc	
13	S0480941	1	Rotor	
14	S0481203	1	Shaft	
15	S7812205	2	Cotter	
16	S0480936	1	Rod	
17	S0480935	1	Carrier	
18	S0480917	39	Knife	
19	S6231167	2	Screw	
20	S6594238	2	Nut	
21	S7400032	2	Disc	
22	S0480939	1	Housing	
23	S0480976	1	Rod	Left Hand
24	S0480920	1	Rod	Right Hand
25	S0480945	2	Screw	
26	S7412481	2	Spring Plate	
27	S6594238	4	Nut	
28	S7412062	4	Disc	
29	S6231977	4	Screw	
30	S0480955	2	Bearing Housing	
31	S0480956	2	Bearing	
32	S0252405	2	Nipple	
33	S0480957	1	Protector	
34	S0480918	2	Protector	
35	S6220467	4	Screw	
36	S7400032	4	Disc	
37	S7414222	4	Lock Washer	
38	S6594038	4	Nut	
39	S0480946	2	Nut	

40	S7412062	4	Disc
41	S6231164	2	Screw
42	S0481001	1	Rotor
43	S0481003	20	Nut
44	S0481004	40	Bush
45	S0481002	40	Knife
46	S0481005	40	Bush
47	S0481006	20	Screw
48	S0481008	1	Rotor
49	S0481007	2	Protector

90

HAJOITIN SUPPILO
SPRIDAR MUNSTYCK
DISTRIBUTOR PLATE
VERTEILE PLECH
PLAQUE DE DISTRIBUTION

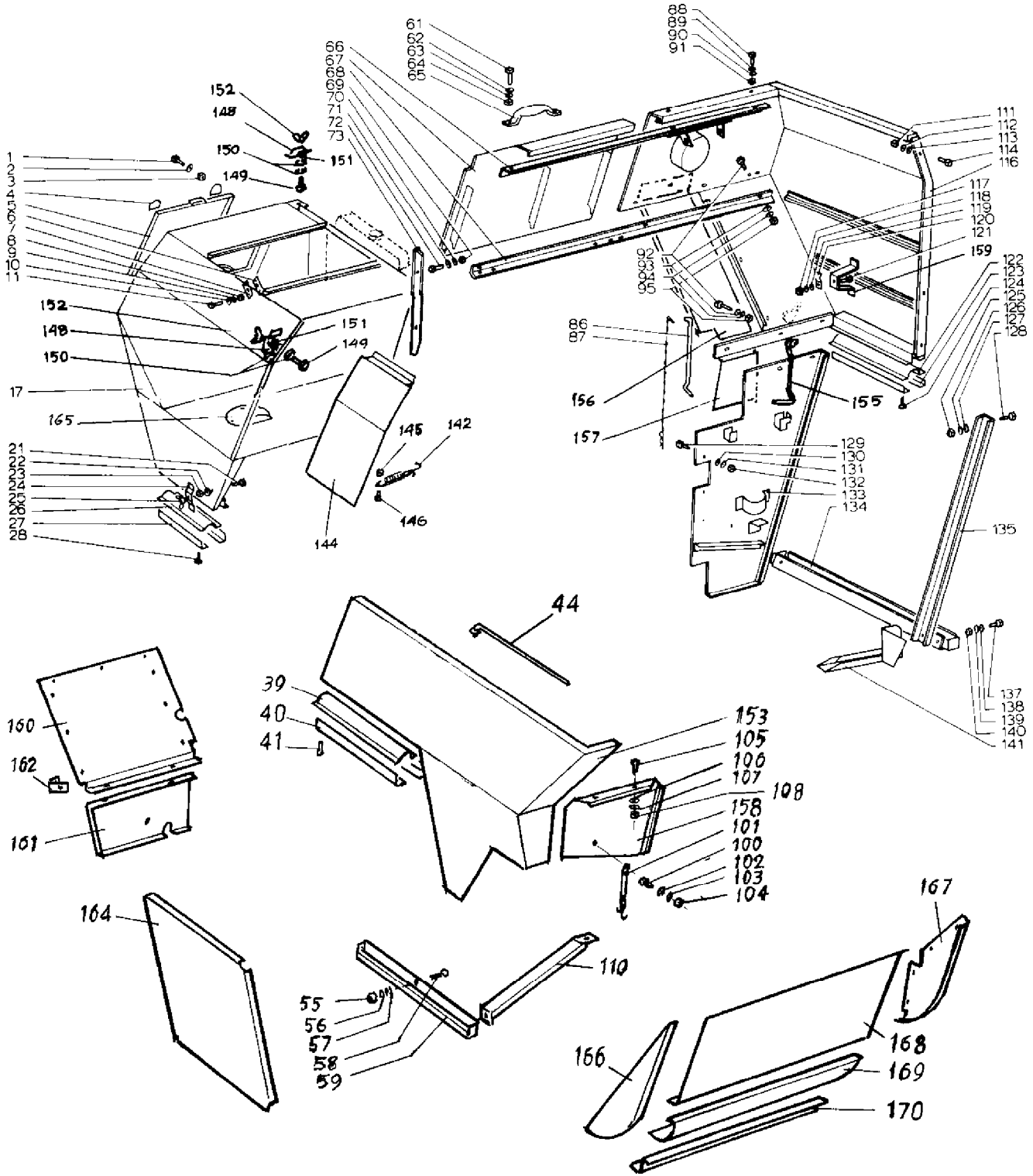


AGCO Corporation
Parts List Report

Massey Ferguson (Europe)
MF 430 COMBINE
Page 90 - DISTRIBUTOR PLATE

Item	Part Number	Qty	Part Description	Comments
9	S6210667	8	Screw	
10	S7400030	8	Disc	
11	S7414055	8	Disc	
12	S6593838	8	Nut	
25	SR643868	1	Deflector	
26	SR643844	4	Wing	
27	SR643867	1	Distributor	
28	SR643839	1	Distributor	For Sweden.
29	SR643838	1	Distributor	For Sweden.

SUOJAT
SKYDD
PROTECTIONS
VERKLEIDUNG
GARANTS



AGCO Corporation
Parts List Report

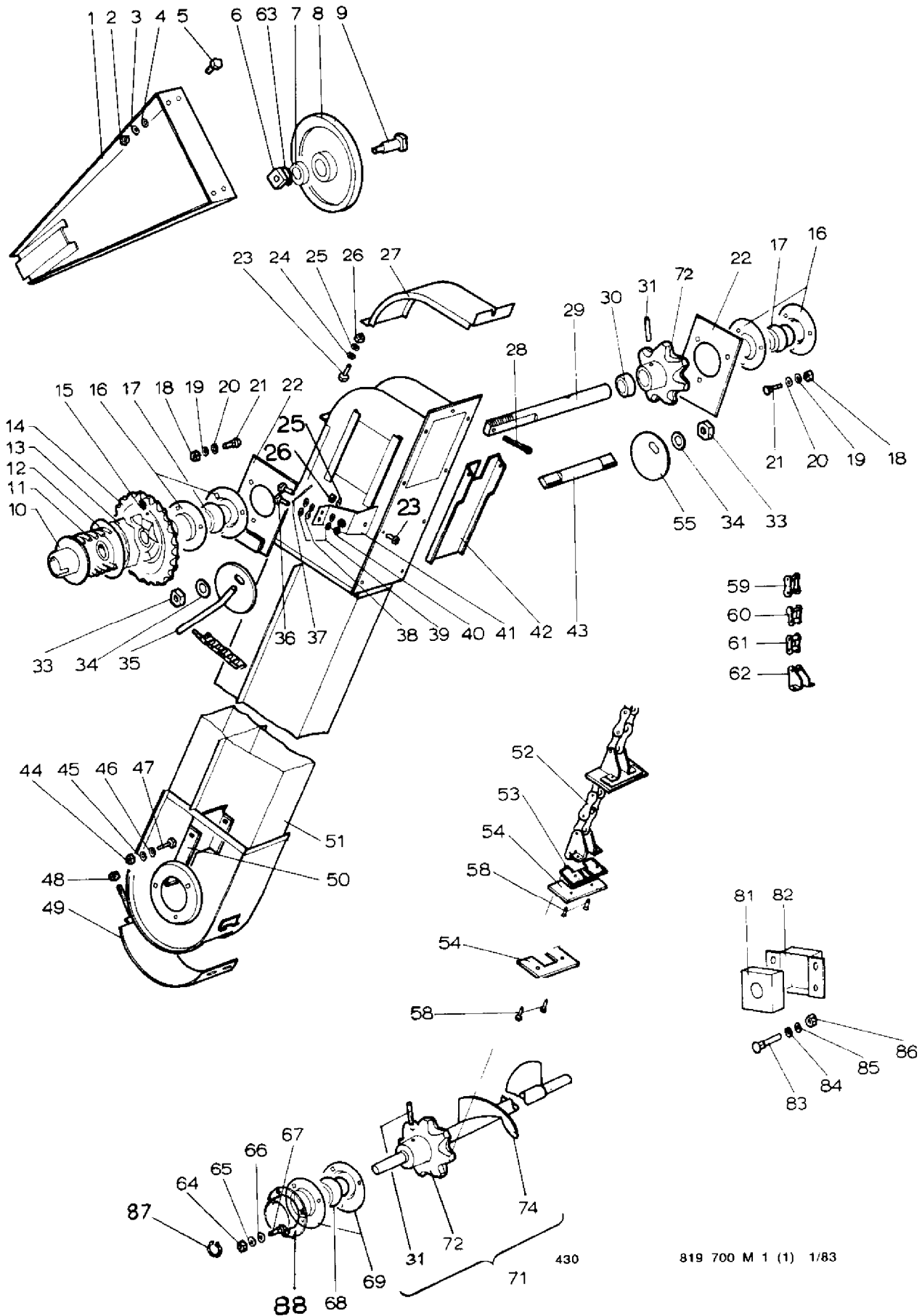
Massey Ferguson (Europe)
MF 430 COMBINE
Page 92 - PROTECTIONS

Item	Part Number	Qty	Part Description	Comments
1	S6210667	2	Screw	
2	S7414465	2	Lock Washer	
3	S6593838	2	Nut	
4	SR593586	2	Latch	
5	SR602287	1	Cover	
6	SR605330	2	Joint	
7	SR605329	2	Sheet Metal	
8	S6506034	2	Nut	
9	S7414465	2	Lock Washer	
10	S7400030	2	Disc	
11	S6211067	2	Screw	
17	SR640599	1	Protector	
21	S6211667	1	Screw	
22	S7414465	1	Lock Washer	
23	S6506034	1	Nut	
24	SR090452	1	Latch	
25	S6598504	1	Wing Nut	
26	SR643398	1	Damper	
27	SR643396	2	Holder	
28	S7266308	8	Screw	
39	SR611030	1	Damper	
40	S611031	2	Holder	
41	S7266308	12	Screw	
42	S7812076	1	Cotter	
43	S7400032	1	Disc	
44	SR611032	1	Stay	
45	S6505604	6	Nut	
46	S7414463	6	Lock Washer	
47	S6162914	6	Screw	
55	S6506234	3	Nut	
56	S7414469	3	Lock Washer	
57	S7400032	3	Disc	
58	S6220467	3	Screw	
59	SR605317	1	Stay	
61	S6220867	2	Screw	
62	S7400032	2	Disc	
63	S7414469	2	Lock Washer	
64	S6506234	2	Nut	
65	SR605672	1	Grip	

66	SR618744	1	Slat
67	SR609944	1	Cover
68	SR609938	1	Stay
69	S6506034	2	Nut
70	S7414465	2	Lock Washer
71	S7400030	2	Disc
72	S6210667	2	Screw
73	SR605323	2	Slat
87	SR611033	1	Chain
88	S6220867	3	Screw
89	S7400032	3	Disc
90	S7414469	3	Lock Washer
91	S6506234	3	Nut
92	S6220867	4	Screw
93	S7400032	4	Disc
94	S7414469	4	Lock Washer
95	S6506234	4	Nut
96	S7814067	1	Roll Pin
100	S6211067	1	Screw
101	SR079318	2	Tension Spring
102	S7400030	2	Disc
103	S7414465	2	Lock Washer
104	S6593838	2	Nut
105	S6211467	2	Screw
106	S7400032	2	Disc
107	S7414469	2	Lock Washer
108	S6506234	2	Nut
110	SR643399	1	Stay
111	S6506234	3	Nut
112	S7414469	3	Lock Washer
113	S7400032	3	Disc
114	S6220867	3	Screw
116	SR602280	1	Protector
117	S6506034	1	Nut
118	S7414465	1	Lock Washer
119	S7400030	1	Disc
120	SR064410	1	Holder
121	S6211067	1	Screw
122	SR605116	1	Damper
123	SR605115	2	Holder
124	S7266308	14	Screw
125	S6506234	3	Nut
126	S7414469	3	Lock Washer
127	S7400032	3	Disc
128	S6220867	3	Screw
129	S6211067	2	Screw

130	S7400030	2	Disc	
131	S7414465	2	Lock Washer	
132	S6506034	2	Nut	
133	SR605107	1	Protector	
134	SR605110	1	Stay	
135	SR605114	1	Stay	
137	S6220867	3	Screw	
138	S7400032	3	Disc	
139	S7414469	3	Lock Washer	
140	S6506234	3	Nut	
141	SR614907	1	Stand	
142	SR079318	2	Tension Spring	
144	SR640567	1	Protector	
145	S6593838	2	Nut	
146	S6211067	2	Screw	
147	SR640838	1	Holder	
148	SR090452	1	Latch	
149	S6211667	1	Screw	
150	S7400030	2	Disc	
151	S6506034	1	Nut	
152	S6598504	1	Wing Nut	
153	SR655204	1	Protector	
154	SR655522	1	Protector	
155	SR655280	1	Rod	
156	SR613256	1	Protector	
157	SR643996	1	Protector	
158	SR659506	1	Protector	
159	SR611922	1	Holder	
160	SR659527	1	Protector	
161	SR659531	1	Protector	
162	SR659529	1	Holder	
164	SR659521	1	Protector	
165	SR643275	1	Cover	
166	SR659210	1	Protector	Right Hand
167	SR659209	1	Protector	Left Hand
168	SR659279	1	Sheet Metal	
169	SR659280	1	Sheet Metal	
170	SR659281	1	Sheet Metal	

**RAJASELEVAATTORI
RETURELEVATOR
RETURN ELEVATOR
ÜBERKEHRELEVATOR
ELEVATEUR A OTONS**



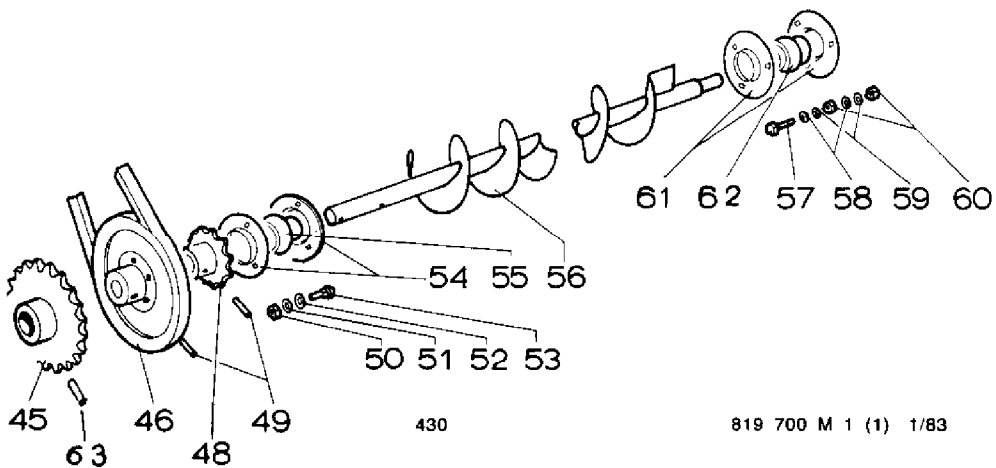
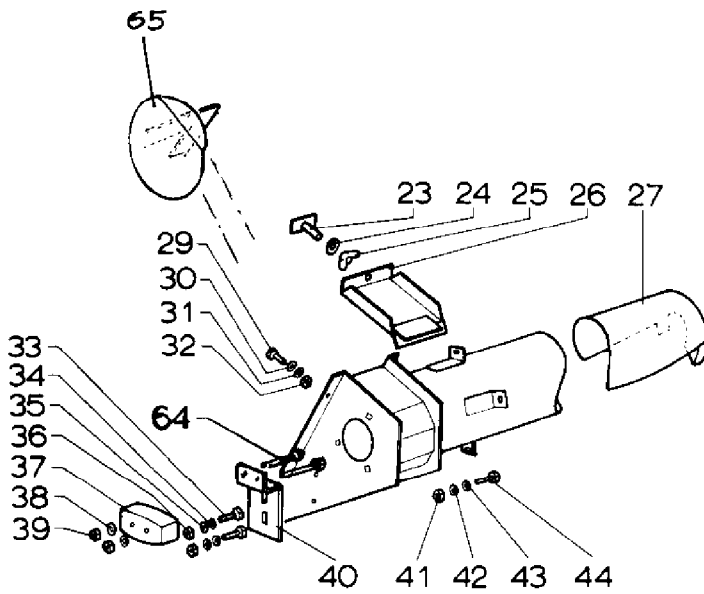
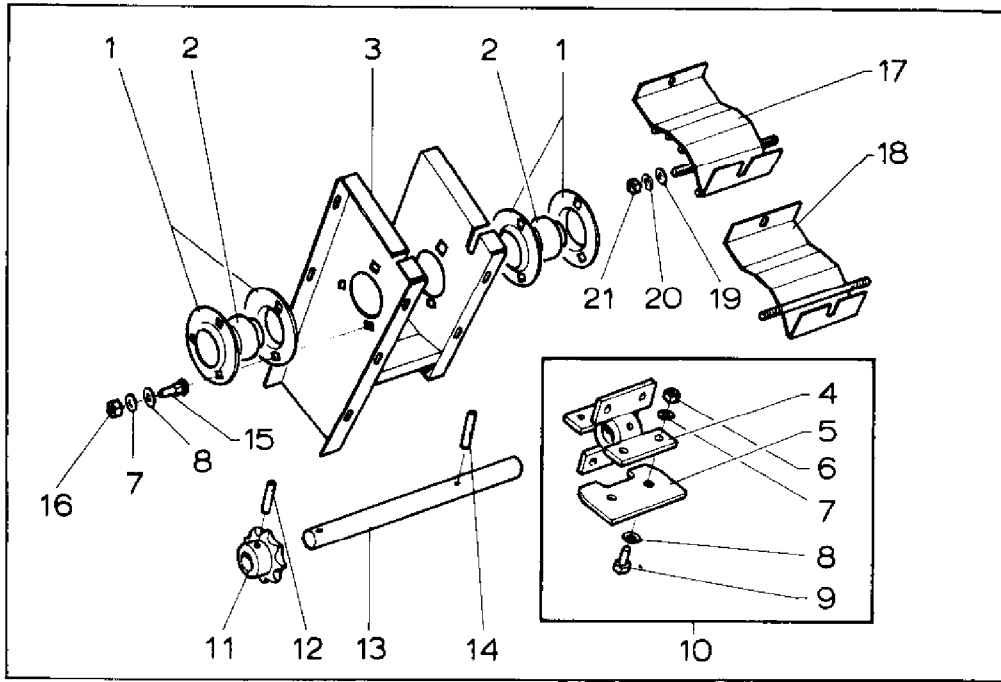
AGCO Corporation
Parts List Report

Massey Ferguson (Europe)
MF 430 COMBINE
Page 96 - RETURN ELEVATOR

Item	Part Number	Qty	Part Description	Comments
1	SR602592	1	Stand	
2	S6506234	4	Nut	
3	S7414469	4	Lock Washer	
4	S7400032	4	Disc	
5	S6220867	4	Screw	
6	SR595515	1	Nut	
7	SR066732	1	Bush	
8	SR586987	1	Tightener	
10	SR595855	1	Thrust Plate	
11	S0415175	1	Spring	
12	SR605138	1	Disc	
13	SR067448	1	Cam	
14	SR067447	1	Sprocket	
15	S0252405	1	Nipple	
16	S0569321	4	Flange	
17	S0511054	2	Bearing Ball	
18	S6506234	6	Nut	
19	S7414469	6	Lock Washer	
20	S7400032	6	Disc	
21	S6758344	6	Screw	
22	SR593662	2	Bearing Plate	
23	S6221268	2	Screw	
24	S7400032	1	Disc	
25	S7414469	2	Lock Washer	
26	S6506234	2	Nut	
27	SR602568	1	Cover	
28	S7812258	1	Cotter	
29	SR609525	1	Shaft	
30	SR609526	1	Bush	
31	S7814205	2	Roll Pin	
33	S6507224	2	Nut	
34	S7414481	2	Lock Washer	
35	SR593666	1	Adjuster	
36	SR596077	2	Screw	
37	S0415123	1	Spring	
38	S0633567	2	Insulator	
39	S7400030	4	Disc	
40	S6506034	2	Nut	
41	SR602623	1	Holder	

42	SR602536	1	Sheet Metal
43	SR593669	1	Shaft
44	S6506034	3	Nut
45	S7414465	3	Lock Washer
46	S7400030	3	Disc
47	S6211067	3	Screw
48	S6594038	1	Nut
49	SR593782	1	Flap
50	SR593671	1	Housing
51	SR602519	1	Elevator
52	SR602576	1	Chain
53	SR580270	16	Plate
54	S0980712	16	Plate
55	SR593667	1	Adjuster
58	S7613553	32	Rivet
59	S0657285		Chain Link
60	S0657286		Chain Link
61	S0657293		Chain Link
62	S0657288		Chain Link
63	S7400036	1	Disc
64	S6506234	6	Nut
65	S7414469	6	Lock Washer
66	S7400032	6	Disc
67	S6758544	3	Screw
68	S0511051	1	Bearing Ball
69	S0569320	2	Flange
71	SR613863	1	Worm
72	SR096848	2	Sprocket
74	SR613864	1	Worm
81	SR613935	1	Bearing
82	SR613936	1	Holder
83	S6211067	4	Screw
84	S7400030	4	Disc
85	S7414465	4	Lock Washer
86	S6506034	4	Nut
88	SR634692	1	Protector

RAJAISPUTKI
RETURSKRUV
RETURN AUGER
ÜBERKEHRSCHECKE
VIS A OTONS



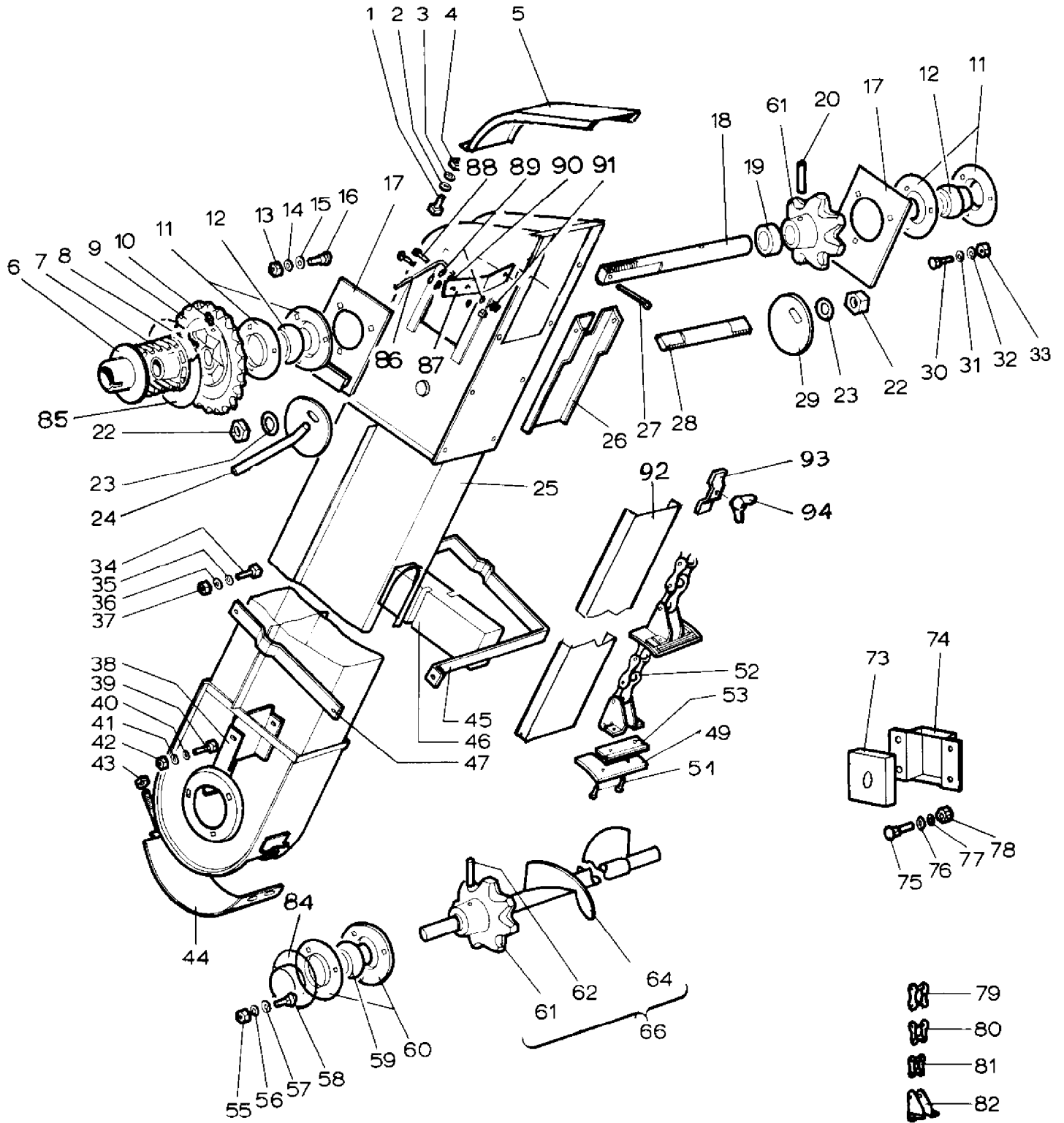
AGCO Corporation
Parts List Report

Massey Ferguson (Europe)
MF 430 COMBINE
Page 98 - RETURN AUGER

Item	Part Number	Qty	Part Description	Comments
1	S0569321	4	Flange	
2	S0511054	2	Bearing Ball	
3	SR613117	1	Housing	
4	SR613054	1	Rotor	
5	SR613053	4	Wing	
6	S6506234	8	Nut	
7	S7414469	14	Lock Washer	
8	S7400032	14	Disc	
9	S6221467	8	Screw	
10	SR613052	1	Rotor	
11	SR068682	1	Sprocket	
12	S7814205	1	Roll Pin	
13	SR613051	1	Shaft	
14	S7814209	1	Roll Pin	
15	S6758344	6	Screw	
16	S6506234	6	Nut	
17	SR613057	1	Basket	
18	SR613846	1	Basket	
19	S7400030	2	Disc	
20	S7414465	2	Lock Washer	
21	S6506034	2	Nut	
23	SR613606	1	Screw	
24	S7412469	1	Spring Plate	
25	S6598704	1	Wing Nut	
26	SR613588	1	Cover	
27	SR602564	1	Tube	
29	S6220867	4	Screw	
30	S7400032	4	Disc	
31	S7414469	4	Lock Washer	
32	S6506234	4	Nut	
33	S6220867	2	Screw	
34	S7400032	2	Disc	
35	S7414469	2	Lock Washer	
36	S6506234	2	Nut	
37	SR593788	1	Tensioner	
38	S7414057	2	Disc	
39	S6594038	2	Nut	
40	SR593784	1	Tensioner	
41	S6506234	4	Nut	

42	S7414469	4	Lock Washer	
43	S7400032	4	Disc	
44	S6220867	4	Screw	
45	SR605125	1	Sprocket	
46	SR607090	1	Pulley	
48	SR613785	1	Sprocket	
49	S7814205	2	Roll Pin	
50	S6506234	3	Nut	
51	S7414469	3	Lock Washer	
52	S7400032	3	Disc	
53	S6758344	3	Screw	
54	S0569321	2	Flange	
55	S0511054	1	Bearing Ball	
56	SR609522	1	Worm	
57	S6221667	3	Screw	
58	S7400032	3	Disc	
59	S7414469	3	Lock Washer	
60	S6506234	3	Nut	
61	S0569320	2	Flange	
62	S0511051	1	Bearing Ball	
63	S7814177	1	Roll Pin	
64	S6222677	2	Screw	
65	SR652174	1	Guard	(DK)
66	SR613845	1	Top	

VILJAELEVAATTORI
 SPANNMÅLSELEVATOR
 GRAIN ELEVATOR
 KÖRNERELEVATOR
 ELEVATEUR A GRAIN



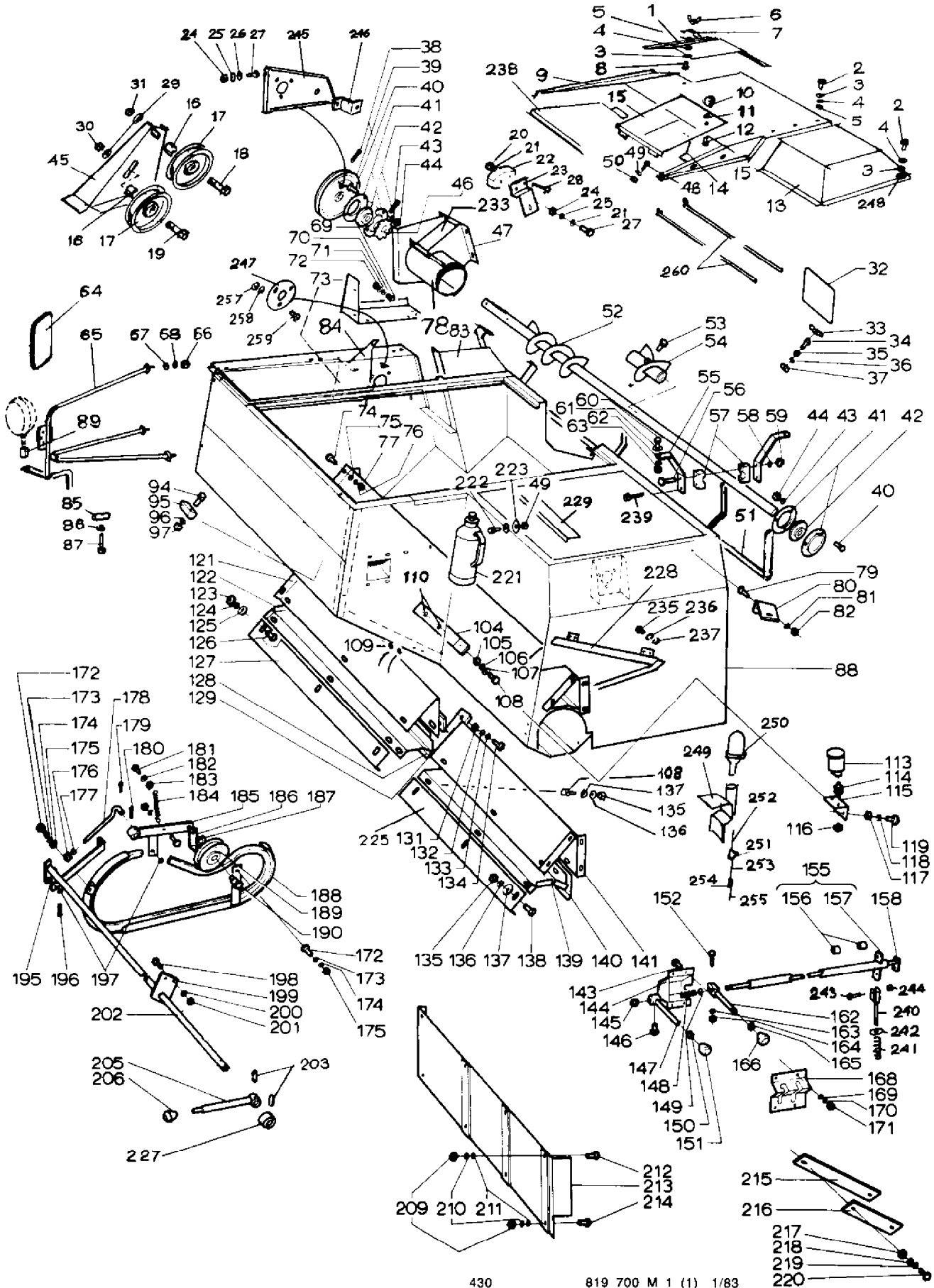
AGCO Corporation
Parts List Report

Massey Ferguson (Europe)
MF 430 COMBINE
Page 100 - GRAIN ELEVATOR

Item	Part Number	Qty	Part Description	Comments
1	S6221267	2	Screw	
2	S7400032	2	Disc	
3	S7414469	2	Lock Washer	
4	S6506234	2	Nut	
5	SR640646	1	Cover	
6	SR595855	1	Thrust Plate	
7	S0415175	1	Spring	
8	SR067448	1	Cam	
9	SR067447	1	Sprocket	
10	S0252405	1	Nipple	
11	S0569321	4	Flange	
12	S0511054	2	Bearing Ball	
13	S6506234	1	Nut	
14	S7414469	1	Lock Washer	
15	S7400032	1	Disc	
16	S6758344	1	Screw	
17	SR593662	2	Bearing Plate	
18	SR609525	1	Shaft	
19	SR609526	1	Bush	
20	S7814205	1	Roll Pin	
22	S6507224	2	Nut	
23	S7414481	2	Lock Washer	
24	SR593666	1	Adjuster	
25	SR640640	1	Elevator	
26	SR602536	1	Sheet Metal	
27	S7812258	1	Cotter	
28	SR593669	1	Shaft	
29	SR593667	1	Adjuster	
30	S6758344	3	Screw	
31	S7400032	3	Disc	
32	S7414469	3	Lock Washer	
33	S6506234	3	Nut	
34	S6220867	2	Screw	
35	S7400032	2	Disc	
36	S7414469	2	Lock Washer	
37	S6506234	2	Nut	
38	SR593671	1	Housing	
39	S6211067	3	Screw	
40	S7400030	3	Disc	

41	S7414465	3	Lock Washer
42	S6506034	3	Nut
43	S6594038	1	Nut
44	SR593782	1	Flap
45	SR602597	1	Stirrup
46	SR602595	1	Pad
47	SR593839	1	Holder
49	S0980712	30	Plate
51	S7613553	60	Rivet
52	SR602580	1	Chain
53	SR580270	30	Plate
55	S6506234	6	Nut
56	S7414469	6	Lock Washer
57	S7400032	6	Disc
58	S6758544	3	Screw
59	S0511051	1	Bearing Ball
60	S0569320	2	Flange
61	SR096848	2	Sprocket
62	S7814205	1	Roll Pin
64	SR613861	1	Worm
66	SR613860	1	Worm
73	SR613935	1	Bearing
74	SR613936	1	Holder
75	S6211067	4	Screw
76	S7400030	4	Disc
77	S7414465	4	Lock Washer
78	S6506034	4	Nut
79	S0657285		Chain Link
80	S0657286		Chain Link
81	S0657293		Chain Link
82	S0657288		Chain Link
84	SR634692	1	Protector
85	SR605138	1	Disc
86	S0415123	1	Spring
87	SR643459	1	Holder
88	SR596077	2	Screw
89	S7400030	4	Disc
90	S0633567	2	Insulator
91	S6506034	2	Nut
92	SR656840	1	Cover
93	SR090452	2	Latch
94	S6598704	2	Wing Nut

VILJASĀLIŅ
SPANNMĀLSTANK
GRAIN TANK
KORNTANK
RESERVOIR A GRAIN



AGCO Corporation
Parts List Report

Massey Ferguson (Europe)
MF 430 COMBINE
Page 102 - GRAIN TANK

Item	Part Number	Qty	Part Description	Comments
1	SR640829		Cover	
2	S6211067	23	Screw	
3	S7400030	52	Disc	
4	S7414465	26	Lock Washer	
5	S6506034	13	Nut	
6	S6598504	6	Wing Nut	
7	SR090452	6	Latch	
8	S6211667	6	Screw	
9	SR640815	1	Cover	
10	S0879932	1	Knob	
11	S7414471	1	Lock Washer	
12	S6226167	1	Screw	
13	SR640824	1	Cover	
14	SR640837	1	Latch	
15	SR640833	1	Cover	
16	SR066732	2	Bush	
17	SR074964	2	Wheel	
18	SR596052	1	Shaft	
19	SR596031	1	Axle	
20	S6594038	2	Nut	
21	S7414057	5	Disc	
22	SR593788	1	Tensioner	
23	SR593784	1	Tensioner	
24	S6506234	5	Nut	
25	S7414469	3	Lock Washer	
26	S7400032	5	Disc	
27	S6221267	5	Screw	
28	S6222677	2	Screw	
29	S7400036	2	Disc	
30	S0952112	1	Nut	
31	S6507034	1	Nut	
32	SR605362	3	Cover	
33	SR090452	6	Latch	
34	S6211627	6	Screw	
35	S6506034	9	Nut	
36	S7414465	6	Lock Washer	
37	S6598504	6	Wing Nut	
38	S7814205	2	Roll Pin	
39	SR592336	1	Pulley	

40	S6758344	3	Screw
41	S0569321	2	Flange
42	S0511054	1	Bearing Ball
43	S7414469	3	Lock Washer
44	S6506234	3	Nut
45	SR638528	1	Holder
46	SR652163	1	Sprocket
47	SR638559	1	Tube
48	S6162914	4	Screw
49	S7414463	4	Lock Washer
50	S6505604	4	Nut
51	SR640940	1	Protector
52	SR609560	1	Worm
53	S6221267	3	Screw
54	SR593838	3	Worm
55	SR609671	2	Holder
56	S6213477	1	Screw
57	SR582408	2	Bearing
58	S7414465	2	Lock Washer
59	S6593838	2	Nut
60	S6221267	2	Screw
61	S7414057	2	Disc
62	S7414469	2	Lock Washer
63	S6506234	2	Nut
64	S0498806	1	Mirror Glass
65	SR659603	1	Stand
66	S6506234	3	Nut
67	S7400032	3	Disc
68	S7414469	3	Lock Washer
69	S6220867	8	Screw
70	S7400032	8	Disc
71	S7414469	8	Lock Washer
72	S6506234	8	Nut
73	SR638564	1	Protector
74	S6226167	8	Screw
75	S7400033	8	Disc
76	S7414471	8	Lock Washer
77	S6506434	8	Nut
78	SR636296	1	Housing
79	S6221267	2	Screw
80	SR594192	1	Holder
81	S7414469	2	Lock Washer
82	S6506234	2	Nut
83	SR640546	1	Sheet Metal
84	SR640840	1	Sheet Metal
85	SR640782	3	Knuckle

86	S6506034	3	Nut	
87	S6212067	3	Screw	
88	SR638543	1	Grain Tank	
89	SR616894	1	Bush	
94	S6222077	1	Screw	
95	SR605506	1	Guide	
96	S7414469	1	Lock Washer	
97	S6594038	1	Nut	
104	SR605342	1	Stand	
105	S6506434	3	Nut	
106	S7414471	3	Lock Washer	
107	S7400033	3	Disc	
108	S6763744	1	Screw	
109	S0633573	1	Insulator	
110	S6763544	4	Screw	
113	S0492516	2	Container	
114	S0629213	2	Union	
115	SR605794	1	Holder	
116	S6510924	2	Nut	
117	S6506234	2	Nut	
118	S7414469	2	Lock Washer	
119	S6220867	2	Screw	
121	SR605312	1	Frame	
122	SR605313	1	Elbow	
123	S6506434	6	Nut	
124	S7400033	6	Disc	
125	S7414062	5	Disc	
126	S6763544	6	Screw	
127	SR605315	1	Sheet Metal	
128	SR614127	1	Sheet Metal	Right Hand
129	SR605316	1	Stand	
131	S6506434	1	Nut	
132	S7400033	2	Disc	
133	S7414471	1	Lock Washer	
134	S6226167	1	Screw	
135	S6506434	11	Nut	
136	S7400033	11	Disc	
137	S7414062	11	Disc	
138	S6763544	11	Screw	
139	SR605308	1	Elbow	
140	SR614126	1	Sheet Metal	
141	SR605307	1	Frame	
143	S6220867	4	Screw	
144	SR611015	1	Protector	
145	S6594038	1	Nut	
146	S6220867	1	Screw	

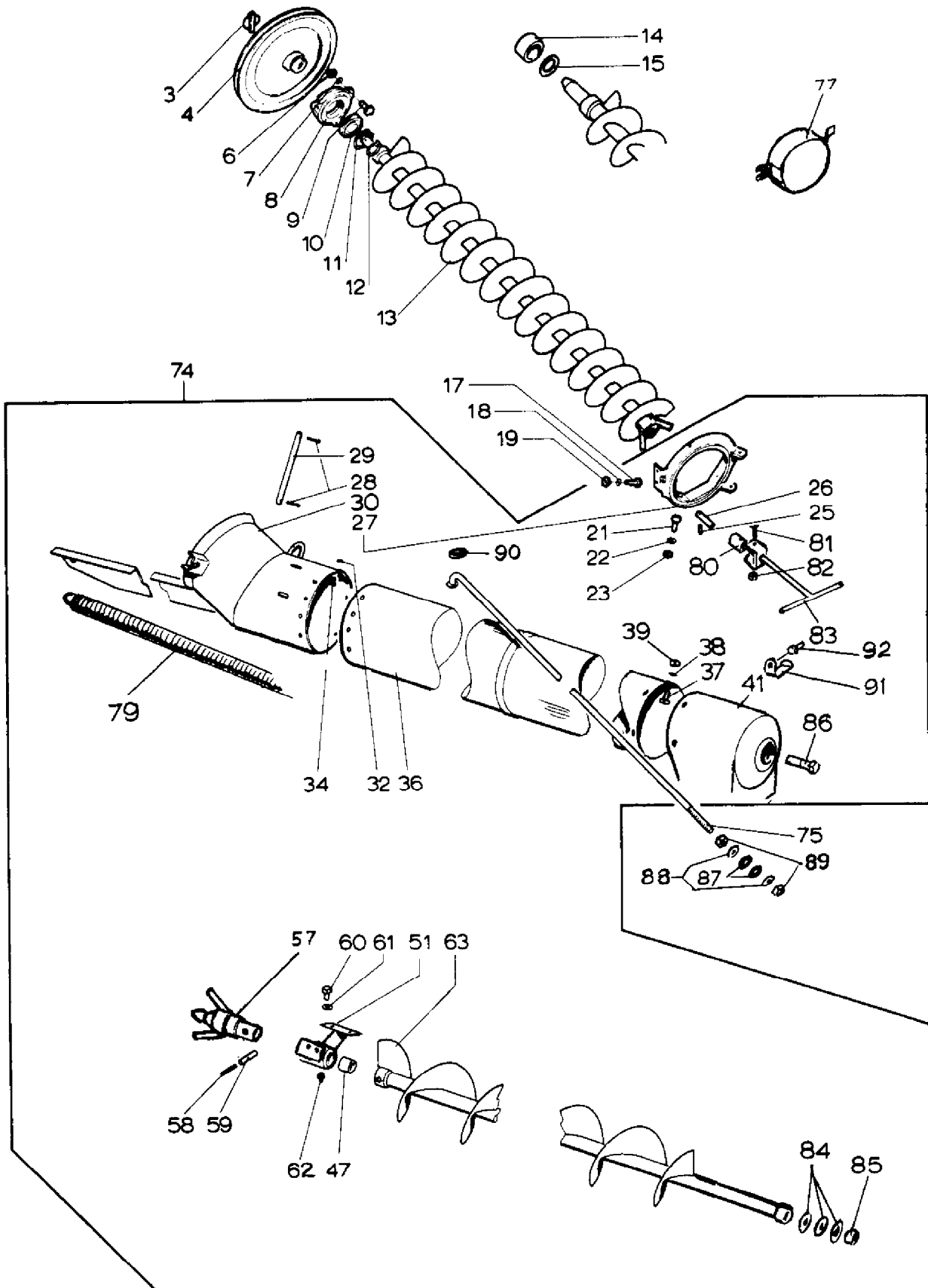
147	SR611020	1	Lever
148	S0415152	1	Spring
149	S7400032	1	Disc
150	S6506434	1	Nut
151	S0879932	1	Knob
152	S6221877	1	Screw
155	SR614125	1	Shaft
156	SR612666	2	Bearing
157	SR605721	1	Axle
158	SR605718	1	Shaft
162	SR611021	1	Lever
163	S7414469	1	Lock Washer
164	S6506234	1	Nut
165	S6506434	1	Nut
168	SR611019	1	Sheet Metal
169	S7400032	4	Disc
170	S7414469	4	Lock Washer
171	S6506234	4	Nut
172	S6221267	2	Screw
173	S7400032	2	Disc
174	S7414469	2	Lock Washer
175	S6506234	2	Nut
176	S6506434	2	Nut
177	S7414471	1	Lock Washer
178	SR595833	1	Rod
179	S7812114	2	Cotter
180	S7812160	1	Cotter
181	S6211067	1	Screw
182	S7414465	1	Lock Washer
183	S6506034	1	Nut
184	S0415184	1	Spring
185	SR605262	1	Holder
186	SR073800	1	Guide
187	SR066732	1	Bush
188	SR605179	1	Protector
189	SR074964	1	Wheel
190	SR596052	1	Shaft
195	SR593954	1	Rod
196	S7812114	2	Cotter
197	S7400033	2	Disc
198	S6220867	2	Screw
199	SR609664	1	Holder
200	S7414469	2	Lock Washer
201	S6506234	2	Nut
202	SR609990	1	Shaft
203	S7814145	2	Roll Pin

205	SR602386	1	Lever	
206	S0879932	1	Knob	
209	S6506434	9	Nut	
210	S7414471	9	Lock Washer	
211	S7400033	9	Disc	
212	S6763544	2	Screw	
213	SR605162	1	Sheet Metal	
214	S6226367	7	Screw	
215	SR605782	1	Strap	
216	SR605781	1	Strap	
217	S6506434	2	Nut	
218	S7400033	2	Disc	
219	S7414471	2	Lock Washer	
220	S6226367	2	Screw	
221	S0498020	1	Extinguisher	
222	S6211467	2	Screw	
223	S7414055	2	Disc	
225	SR606310	1	Sheet Metal	
227	S7400038	1	Disc	
228	SR630977	1	Sheet Metal	
229	SR634719	1	Holder	(E)
230	S6162914	4	Screw	
231	S6505604	4	Nut	
232	S7461285	4	Disc	
233	SR640839	1	Cover	
235	S6162914	4	Screw	
236	S7461285	4	Disc	
237	S6505604	4	Nut	
238	SR640820	1	Cover	
239	S6213877	1	Screw	
240	SR652203	1	Fork	
241	S0415134	1	Spring	
242	S7400032	1	Disc	
243	S6211667	1	Screw	
244	S6593838	1	Nut	
245	SR652356	1	Bearing Plate	
246	SR652363	1	Holder	
247	SR652357	1	Collar	
248	S7414055	7	Disc	
249	SR616578	1	Holder	
250	S8055518	1	Blinker Light	
251	S8033652	1	Light Switch	
252	SR641691	1	Cable	
253	SR616582	1	Cable	
254	S8063080	1	Fuse Box	
	S8066650	1	Fuse	

255	SR616580	1	Cable
257	S6506034	3	Nut
258	S7414055	3	Disc
259	S6211067	3	Screw
260	SR661397	2	Protector

(E)
ONLY CAO

TYHJENNYSPUTKI
 TÖMNINGSRÖR
 UNLOADING AUGER
 ENTLÉERROHR
 VIS DE DECHARGE



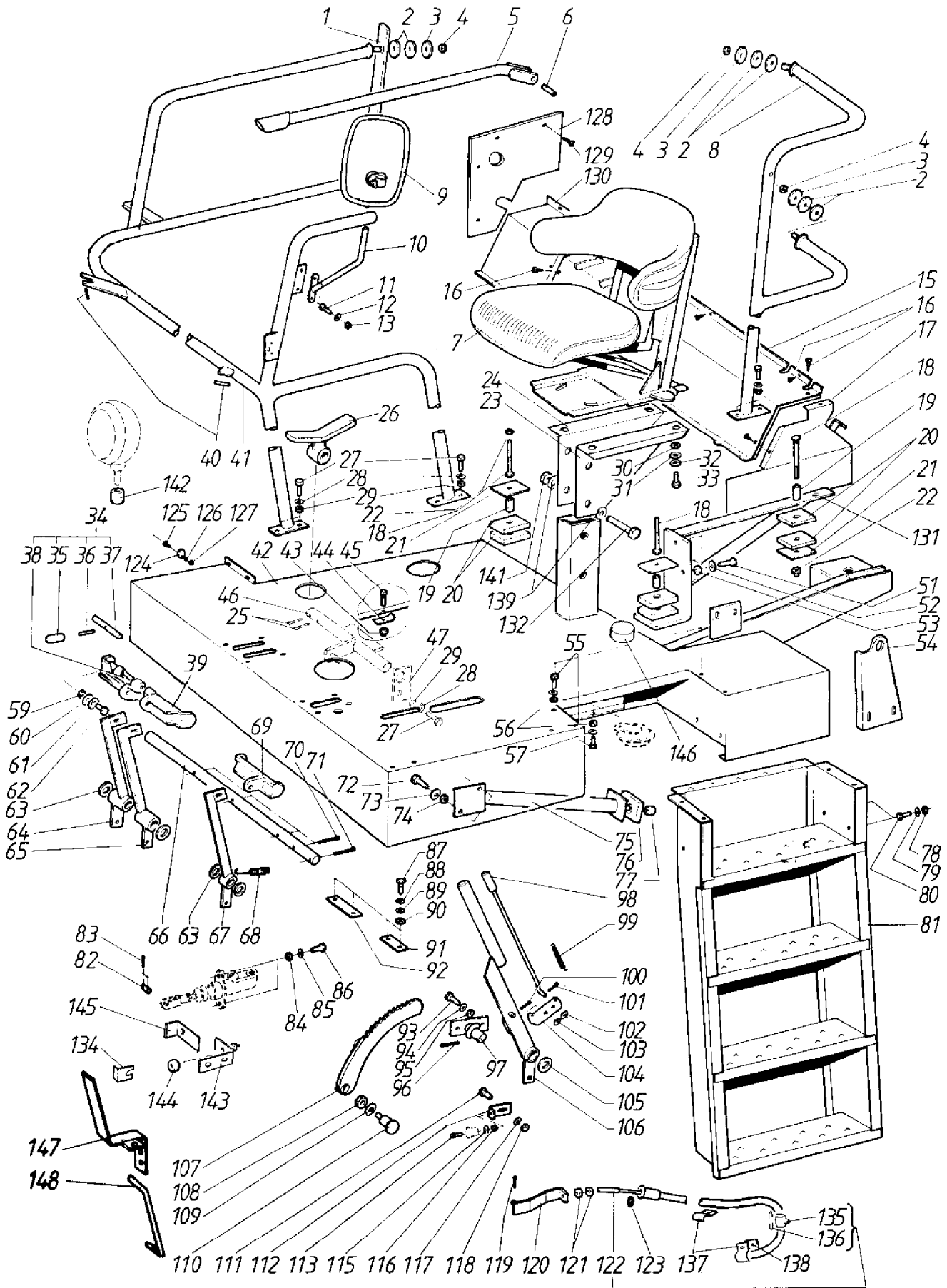
AGCO Corporation
Parts List Report

Massey Ferguson (Europe)
MF 430 COMBINE
Page 108 - UNLOADING AUGERS

Item	Part Number	Qty	Part Description	Comments
3	S7814285	1	Linch Pin	
4	SR639156	1	Pulley	
6	S6506434	3	Nut	
7	S7414471	3	Lock Washer	
8	SR593961	1	Bearing Housing	
9	S6226767	3	Screw	
10	S0502368	1	Bearing	
11	S7815258	1	Circlip	
12	S7815037	1	Circlip	
13	SR630218	1	Worm	
14	SR613919	1	Nut	
15	SR613920	3	Disc	
17	S6226167	4	Screw	
18	S7414471	4	Lock Washer	
19	S6506434	4	Nut	
21	S6763544	4	Screw	
22	S7414471	4	Lock Washer	
23	S6506434	4	Nut	
25	SR637577	1	Peg	
26	SR595861	1	Control Lock	
27	SR602632	1	Flange	
28	S7812156	2	Cotter	
29	SR605507	1	Peg	
30	SR616463	1	Tube	
32	S6593838	8	Nut	
34	S6210667	8	Screw	
36	SR630203	1	Tube	
37	S6220867	3	Screw	
38	S7400032	4	Disc	
39	S6594038	4	Nut	
41	SR621614	1	Housing	
47	S9616466	1	Bearing Housing	
51	SR616465	1	Bearing Housing	
57	SR637811	1	Shaft	
58	S7814181	1	Roll Pin	
59	S7814235	1	Roll Pin	
60	S6230567	4	Screw	
61	S7414473	4	Lock Washer	
62	S0252475	1	Nipple	

63	SR630206	1	Worm
74	SR630202	1	Tube
75	SR618621	1	Rod
77	SR618707	1	Cover
79	S0415131	1	Spring
80	SR595825	1	Nut
81	S6222077	1	Screw
82	S6594038	1	Nut
83	SR640858	1	Lever
84	S7400038	3	Disc
85	SR066732	1	Bush
86	SR621618	1	Pin
87	S0400585	2	Disc
88	SR643457	2	Disc
89	S6594238	2	Nut
90	S0400586	1	Disc
91	SR652277	1	Holder
92	S6220867	1	Screw

**KULJETTAJANLAVA
FÖRARPLATTFORM
OPERATORS PLATFORM
FAHRERSTAND
PLATE FORME DE CONDUITE**



AGCO Corporation
Parts List Report

Massey Ferguson (Europe)
MF 430 COMBINE
Page 110 - OPERATORS PLATFORM

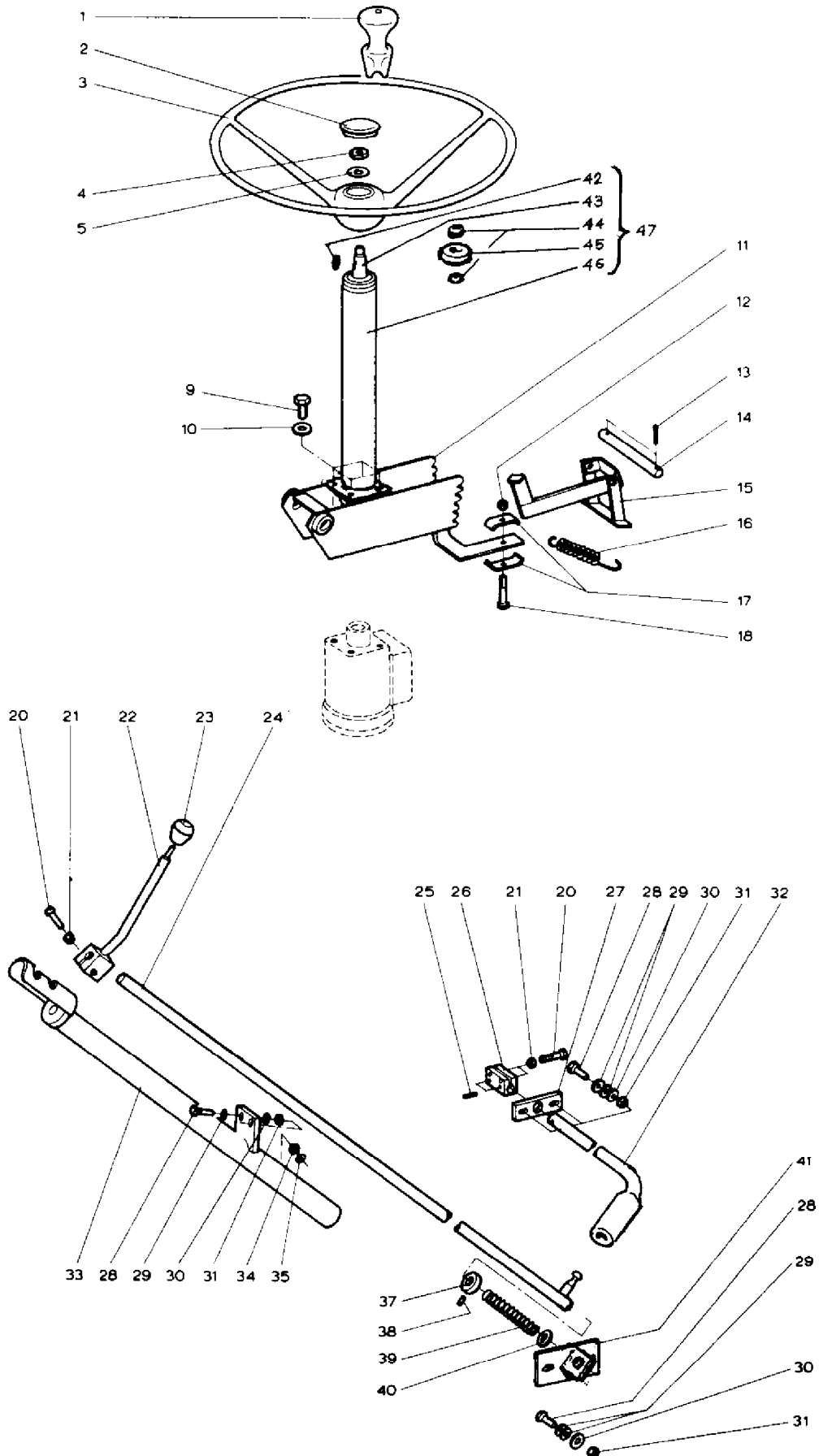
Item	Part Number	Qty	Part Description	Comments
1	SR613251	1	Stay	
2	SR611114	8	Grommet	
3	S7414059	4	Disc	
4	S6506434	4	Nut	
5	SR611103	1	Fops	
6	S7814205	1	Roll Pin	
7	S0492374	1	Seat	
	S0480594		Back Rest	
	S0480595		Seat Plate	
	S0480596		Shock Absorber	
	S0480597		Setscrew	
8	SR611109	1	Fops	
9	S0498806	1	Mirror Glass	
10	SR659601	1	Holder	
11	S6211467	2	Screw	
12	S7414465	2	Lock Washer	
13	S6506034	2	Nut	
15	SR643334	1	Protector	
16	S7266308	8	Screw	
17	SR618479	1	Protector	
18	S6765744	3	Screw	
19	S0400565	3	Bush	
20	S0400561	6	Damper	
21	SR611354	3	Disc	
22	S6506434	3	Nut	
23	SR640918	1	Stand	Left Hand
24	SR640919	1	Stand	Right Hand
25	S7812160	2	Cotter	
26	SR621379	1	Pedal	
27	S6221267	10	Screw	
28	S7414469	10	Lock Washer	
29	S6506234	10	Nut	
30	S6506434	5	Nut	
31	S7414471	5	Lock Washer	
32	S7400033	5	Disc	
33	S6226167	4	Screw	
34	SR622485	1	Pedal	Right Hand
36	S7614145	1	Roll Pin	
37	SR061961	1	Trunnion	

38	SR622486	1	Pedal	Right Hand
39	SR622487	1	Pedal	Left Hand
40	S7814149	2	Roll Pin	
41	SR615766	1	Rail	
	SR659396	1	Fops	For Germany only or any text in German only.
42	SR609859	1	Floor	
43	S6593838	1	Nut	
44	SR064409	1	Holder	
45	S6211667	1	Screw	
46	SR640883	1	Shaft	
47	SR640887	1	Bearing Plate	
48	S7814173	1	Roll Pin	
51	S6226367	3	Screw	
52	S7414471	3	Lock Washer	
53	S6506434	3	Nut	
54	SR613780	1	Bearing	
55	S6220867	7	Screw	
56	S6506234	7	Nut	
57	S7414469	7	Lock Washer	
59	S6506434	3	Nut	
60	S7414471	3	Lock Washer	
61	S7400033	3	Disc	
62	S6226567	3	Screw	
63	S7400038	4	Disc	
64	SR609875	1	Lever	Right Hand
65	SR609874	1	Lever	Left Hand
66	SR609950	1	Shaft	
	S7355795	1	Screw	
67	SR609876	1	Lever	
68	S0415112	3	Spring	
69	SR622488	1	Pedal	
70	S7812160	4	Cotter	
71	S7812162	1	Cotter	
72	S6226167	2	Screw	
73	S7400033	2	Disc	
74	S6506434	2	Nut	
75	SR612726	1	Stay	
76	S0400561	1	Damper	
77	S0633844	1	Bush	
78	S6506234	4	Nut	
79	S7414469	4	Lock Washer	
80	S6220867	4	Screw	
81	SR638332	1	Stair	
82	SR605261	3	Pin	
83	S7812114	6	Cotter	
84	S6506234	6	Nut	

85	S7414469	6	Lock Washer
86	S6221467	6	Screw
87	S6221267	4	Screw
88	S7400032	4	Disc
89	S7414469	4	Lock Washer
90	S6506234	4	Nut
91	SR611457	1	Stop
92	SR611458	1	Stop
93	S6221467	2	Screw
94	S7414469	2	Lock Washer
95	S6506234	2	Nut
96	S7812156	1	Cotter
97	SR605542	1	Pin
98	SR605538	1	Lever
99	S0415109	1	Spring
100	S7812114	1	Cotter
101	S7812076	1	Cotter
102	S7400030	1	Disc
103	S7400032	1	Disc
104	SR605536	1	Pawl
105	S7400038	1	Disc
106	SR605528	1	Lever
107	SR643363	1	Segment
108	S6506634	1	Nut
109	S7414473	1	Lock Washer
110	SR605540	1	Pin
111	S6220867	1	Screw
112	SR605554	1	Holder
113	S6160645	1	Screw
115	S7412252	1	Disc
116	S6505451	1	Nut
117	S7400032	1	Disc
118	S6506234	1	Nut
119	S7812116	1	Cotter
120	SR609978	1	Holder
121	S6506234	2	Nut
122	SR631028	1	Bowden Cable
123	S7412954	1	Tab Washer
124	SR593586	1	Latch
125	S6210667	1	Screw
126	S7414465	1	Lock Washer
127	S6593838	1	Nut
128	SR618488	1	Protector
129	S7266502	4	Screw
130	SR618485	1	Cladding
131	SR611410	1	Holder

132	S6227967	2	Screw	
133	S7461285	2	Disc	
134	SR589643	1	Holder	
135	S0252408	1	Nipple	
136	SR630813	2	Holder	
137	SR064410	2	Holder	
138	SR618395	1	Holder	
	S6211067	3	Screw	
	S6593838	3	Nut	
139	S7400033	2	Disc	
141	S6594129	2	Nut	
142	SR616894	1	Bush	
143	SR637127	1	Holder	
144	S8033655	1	Boot	
145	SR636851	1	Lever	
146	SR643492	2	Plug	
147	SR665349	1	Scale	For Germany only or any text in German only.
148	SR661581	1	Indicator	For Germany only or any text in German only.

OHJAUS - VAIHDETANKO
STYRNING - VÄXELSPAK
STEERING - GEAR LEVER
LENKUNG - SCHALTHEBEL
DIRECTION - LEVIER DE COMMANDE DE VITESSES



AGCO Corporation
Parts List Report

Massey Ferguson (Europe)

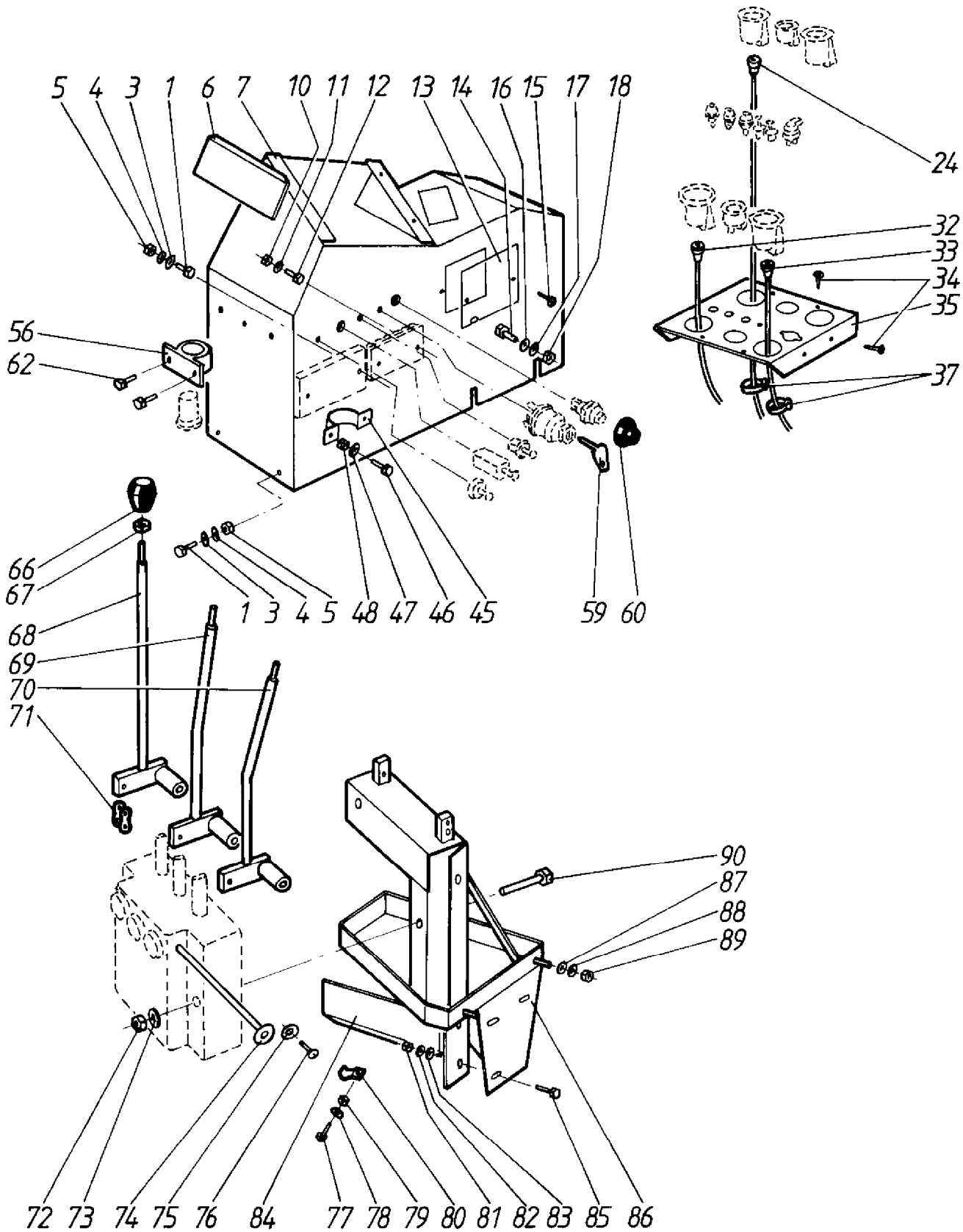
MF 430 COMBINE

Page 114 - STEERING - GEAR LEVER

Item	Part Number	Qty	Part Description	Comments
1	S0493919	1	Knob	
2	S0493921	1	Cap	
3	S0493917	1	Steering Wheel	
4	S6523831	1	Nut	
5	S7400038	1	Disc	
9	S6226367	4	Screw	
10	S7414471	4	Lock Washer	
11	SR605240	1	Adjuster	
12	S6593838	1	Nut	
13	S7812116	2	Cotter	
14	SR605258	1	Pin	
15	SR605247	1	Pawl	
16	S0415116	1	Spring	
17	SR064409	2	Holder	
18	S6212477	1	Screw	
20	S6222077	4	Screw	
21	S6594038	4	Nut	
22	SR611392	1	Lever	
23	S0879932	1	Knob	
24	SR640623	1	Rod	
25	S7814173	2	Roll Pin	
26	SR605427	1	Clip	
27	SR605428	1	Bearing	
28	S6221467	6	Screw	
29	S7400032	10	Disc	
30	S7414469	6	Lock Washer	
31	S6506234	6	Nut	
32	SR640617	1	Lever	
33	SR611380	1	Tube	
34	S6506434	1	Nut	
35	S7414471	1	Lock Washer	
37	SR605432	1	Bush	
38	S7355795	1	Screw	
39	S0415218	1	Spring	
40	S7400036	1	Disc	
41	SR640621	1	Bearing Plate	
42	S7716106	1	Wedge	
43	SR625248	1	Steering Column	
44	S7815022	2	Circlip	

45	S0502340	1	Bearing
46	SR616243	1	Tube
47	SR625247	1	Steering Column

KOJETAULU
INSTRUMENTBRÄDE
INSTRUMENT PANEL
ARMATURENBRETT
BOITE DE CONTROLE

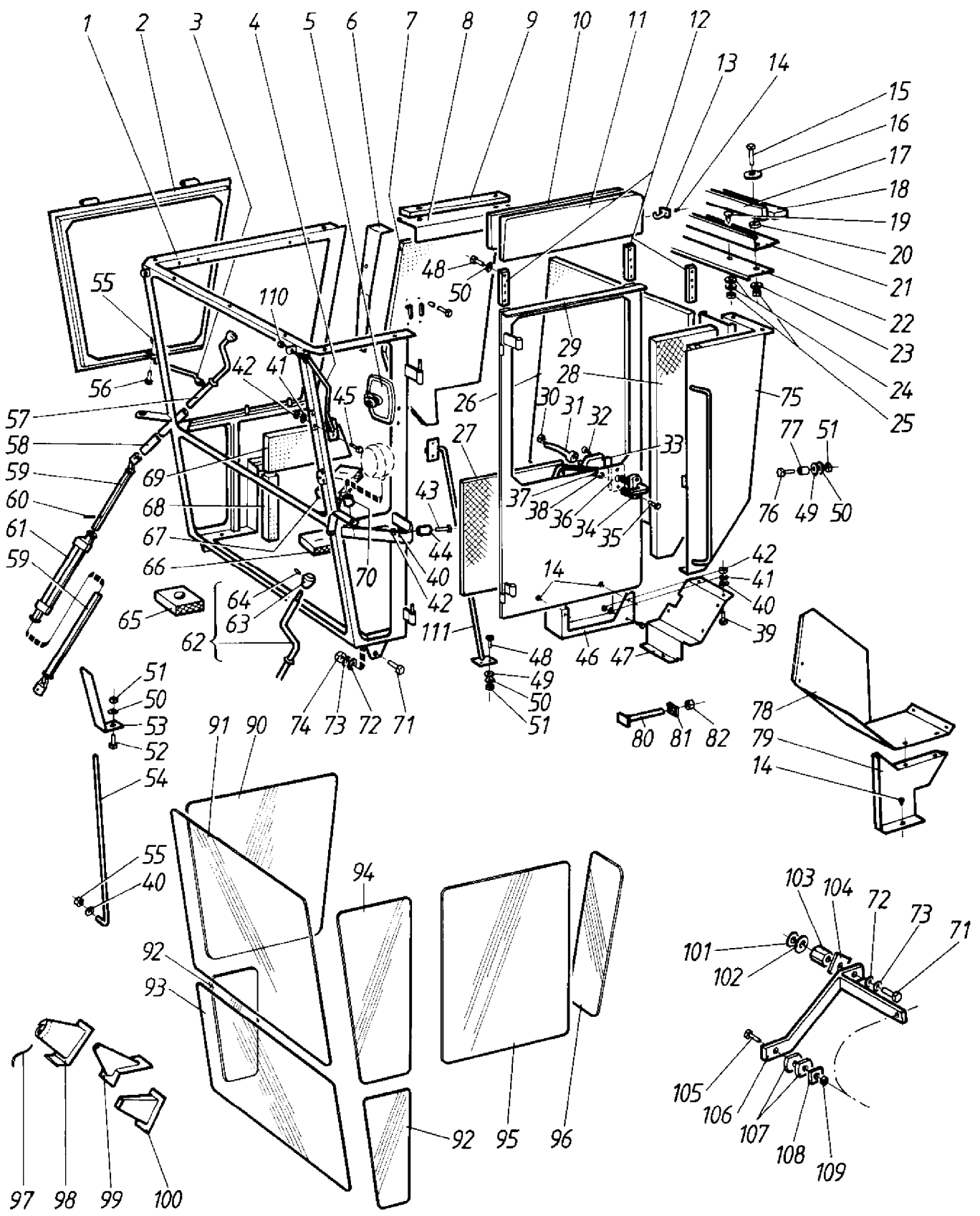


AGCO Corporation
Parts List Report

Massey Ferguson (Europe)
MF 430 COMBINE
Page 116 - INSTRUMENT PANEL

Item	Part Number	Qty	Part Description	Comments
1	S6211067	2	Screw	
3	S7400030	2	Disc	
4	S7414465	2	Lock Washer	
5	S6506034	2	Nut	
6	SR609768	1	Protector	
7	SR609757	1	Instrument Panel	
10	S6505451	2	Nut	
11	S7414253	2	Disc	
12	S6161241	2	Screw	
13	SR602239	1	Cover	
14	S6220867	1	Screw	
15	S7266308	4	Screw	
16	S7400032	1	Disc	
17	S7414469	1	Lock Washer	
18	S6506234	1	Nut	
22	S6564212	2	Nut	
23	SR639277	1	Cover	
24	S0296013	1	Tachometer Shaft	
32	S0296009	1	Tachometer Shaft	
33	S0296041	1	Tachometer Shaft	
34	S7266308	8	Screw	
35	SR609764	1	Instrument Panel	
	SR665353	1	Instrument Panel	For Germany only or any text in German only.
37	S0629055	2	Clip	
42	S6066614	2	Screw	
43	S7414254	2	Disc	
44	S6505814	2	Nut	
45	S8030572	1	Clip	
46	S6162914	2	Screw	
47	S7414253	2	Disc	
48	S6505655	2	Nut	
56	S8033656	1	Holder	
59	S8080557	1	Ignition Key	
60	S8033655	1	Boot	
62	S6162914	2	Screw	
63	S6505655	2	Nut	
64	S7414253	2	Disc	
66	S0879932	3	Knob	
67	S6506434	3	Nut	

68	SR602325	1	Lever
69	SR602324	1	Lever
70	SR602323	1	Lever
71	S0657097	3	Yoke
72	S6506234	2	Nut
73	S7414469	2	Lock Washer
74	SR609765	1	Pin
75	S7400029	1	Disc
76	S6164814	1	Screw
77	S6211067	1	Screw
78	S7414465	1	Lock Washer
79	S6506034	1	Nut
80	SR064410	1	Holder
81	S6506234	3	Nut
82	S7400032	3	Disc
83	S7414469	3	Lock Washer
84	SR611943	1	Mounting
85	S6221267	3	Screw
86	SR605055	1	Pedestal
87	S7400030	2	Disc
88	S7414465	2	Lock Washer
89	S6506034	2	Nut
90	S6222677	2	Screw



AGCO Corporation
Parts List Report

Massey Ferguson (Europe)
MF 430 COMBINE
Page 118 - CAB

Item	Part Number	Qty	Part Description	Comments
1	SR634290	1	Frame	
2	SR634330	1	Window Frame	
3	SR634337	1	Latch	
4	SR643391	1	Holder	
5	S0498805	1	Mirror	
6	SR652155	1	Slat	
7	SR634482	1	Mat	
8	SR637339	1	Slat	
9	SR634416	1	Damper	
10	SR636288	1	Mat	
11	SR634262	1	Plate	
12	SR634365	3	Plate	
13	S0499055	1	Hook	
14	S7266208		Screw	
15	S6227177	5	Screw	
16	S7414059	5	Disc	
17	SR634417	1	Damper	
18	SR634418	1	Damper	
19	S6763344	2	Screw	
20	S0400585	5	Disc	
21	SR634370	1	Slat	
22	SR637338	1	Slat	
23	S7400033	2	Disc	
24	S7400034	4	Washer	
25	S6594148	7	Nut	
26	SR634481	1	Mat	
27	SR634487	1	Mat	
28	SR634483	1	Mat	
29	SR634252	1	Door	
30	S6594038	1	Nut	
31	S0871029	1	Grip	
32	S6066814	3	Screw	
33	S0871025	1	Lock	
34	SR636162	1	Grip	
35	S6066614	2	Screw	
36	SR634260	1	Plate	
37	S7400029	1	Disc	
38	S6505814	1	Nut	
39	S6210667		Screw	

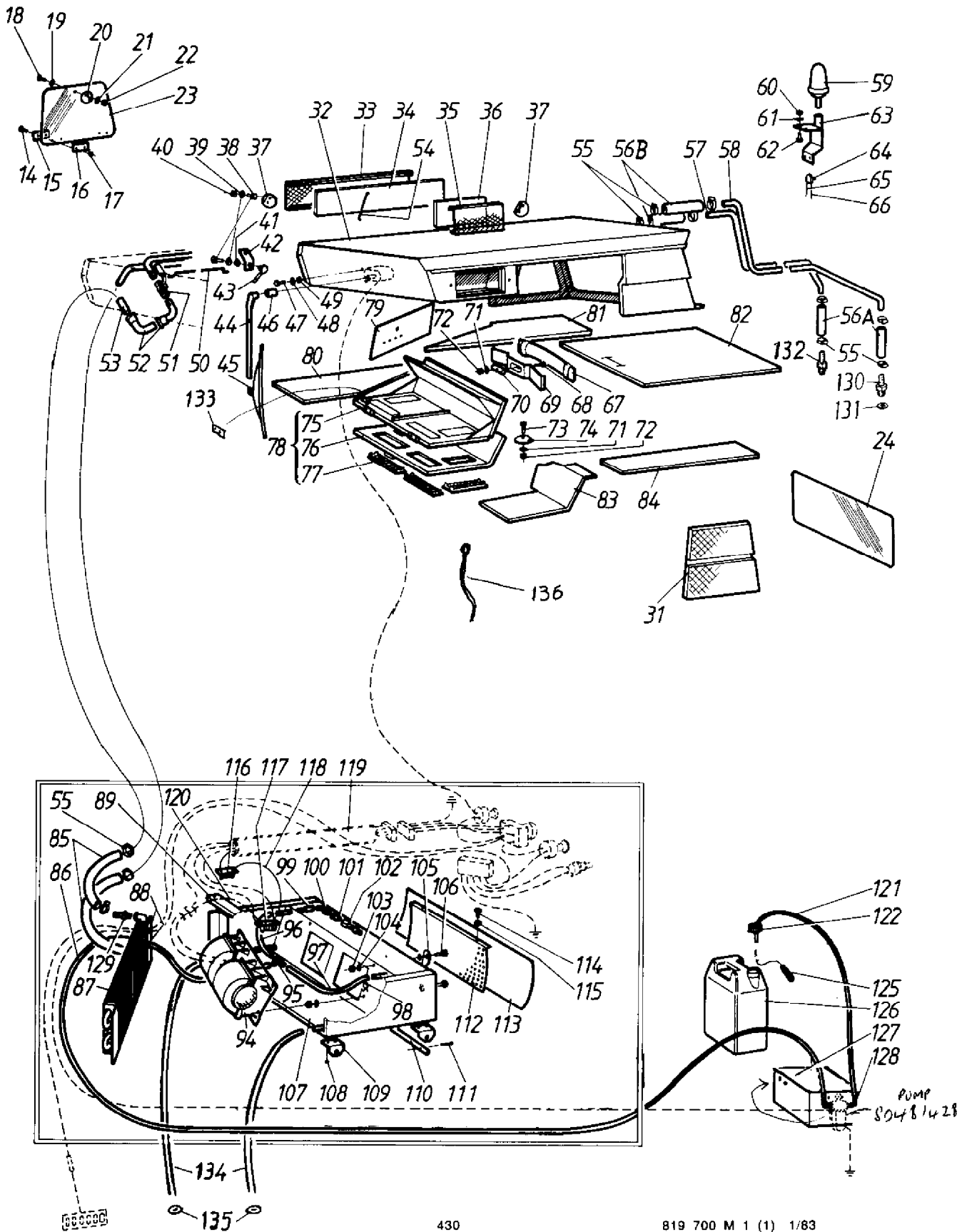
40	S7400030		Disc	
41	S7414465		Lock Washer	
42	S6506034		Nut	
43	S6211667	1	Screw	
44	S0871031	1	Holder	
45	S6211467	2	Screw	
46	SR638631	1	Locker	
47	SR634356	1	Protector	
48	S6220867		Screw	
49	S7400032		Disc	
50	S7414469		Lock Washer	
51	S6506234		Nut	
52	S6221267	1	Screw	
53	SR640954	1	Scale	
	SR663350	1	Scale	For Germany only or any text in German only.
54	SR640956	1	Rod	
	SR661581	1	Indicator	For Germany only or any text in German only.
55	S6593838	1	Nut	
56	S6211067	1	Screw	
57	SR640719	1	Crank	
58	SR640721	1	Bush	
59	SR634296	4	Shaft	
60	S7814067	4	Roll Pin	
61	SR634366	2	Tube	
62	SR659458	1	Crank	
63	S0879935	2	Knob	
64	S7814069	2	Roll Pin	
65	SR634462	1	Mat	
66	SR640794	1	Mat	
67	SR634461	1	Joint	
68	SR634484	1	Mat	
69	SR634485	1	Mat	
70	SR616894	1	Bush	
71	S6241167	3	Screw	
72	S7400036	3	Disc	
73	S7414477	3	Lock Washer	
74	S6507034	2	Nut	
75	SR634339	1	Corner	
76	S6221667	5	Screw	
77	SR634434	7	Bush	
78	SR634362	1	Protector	
79	SR634359	1	Protector	
80	SR634470	1	Screw	
81	S0400583	1	Damper	
82	S6594129	1	Nut	
90	S0868215	1	Glass	

	S0633956	1	Profile	(E)
	S0633953	1	Profile	(E)
91	S0868205	1	Glass	
	S0633955	1	Profile	(E)
	S0633954	1	Profile	(E)
92	S0868211	2	Glass	
	S0633955	2	Profile	(E)
	S0633954	2	Profile	(E)
93	S0868207	1	Glass	
	S0633955	1	Profile	(E)
	S0633954	1	Profile	(E)
94	S0868209	1	Glass	
	S0633955	1	Profile	(E)
	S0633954	1	Profile	(E)
95	S0868217	1	Glass	
	S0633956	1	Profile	(E)
	S0633953	1	Profile	(E)
96	S0868213	1	Glass	
	S0633956	1	Profile	(E)
	S0633953	1	Profile	(E)
97	SR643482	1	Wire	
98	SR643479	1	Joint	
99	SR643476	1	Joint	
100	SR643473	1	Joint	
101	S7400042	1	Disc	
102	SR615967	1	Disc	
103	SR615966	1	Nut	
104	SR615968	1	Disc	
105	S6232177	2	Screw	
106	SR640589	1	Stand	
107	S0400583	5	Damper	
108	SR605623	2	Disc	
109	S6594238	2	Nut	
110	S6506434	1	Nut	
111	SR634352	1	Fops	

(E)

BY ORDERING SEAL AND STRIP THE LENGTH SHALL
BE GIV EN IN METERS.

HYTIN KATTO
HYTTAK
TOP OF THE CAB
DECK DER KABINE
DESSUS DE LA CABINE



AGCO Corporation
Parts List Report

Massey Ferguson (Europe)
MF 430 COMBINE
Page 122 - TOP OF THE CAP

Item	Part Number	Qty	Part Description	Comments
14	S6162914	4	Screw	
15	SR634411	2	Hinge	
16	SR634412	2	Hinge	
17	S6505604	4	Nut	
18	S6211467	1	Screw	
19	S7414055	1	Disc	
20	SR634410	1	Latch	
21	S7414465	1	Lock Washer	
22	S6593838	1	Nut	
23	S0868201	1	Glass	
	S0633959	1	Joint	(E)
24	S0868203	1	Glass	
	S0633956	1	Profile	(E)
	S0633953	1	Profile	(E)
31	SR634477	1	Mat	
32	SR652001	1	Roof	
33	SR652044	1	Frame	
34	SR652045	1	Filter	
35	SR652303	1	Frame	
36	SR652304	1	Filter	
37	SR593586	4	Latch	
38	S6210667	6	Screw	
39	S7414465	6	Lock Washer	
40	S6593838	4	Nut	
41	S7414055	1	Disc	
42	SR652321	1	Lever	
43	SR652318	1	Lever	
44	S0498898	1	Wiper Arm	
45	S0498899	1	Wiper Blade	
46	SR594161	1	Bush	
47	S6220867	2	Screw	
48	S7414469	2	Lock Washer	
49	S6506234	2	Nut	
50	SR652047	1	Rod	
51	SR652323	1	Control Valve	
52	S5426307	2	Elbow	90 {0}
53	SR644613	1	Tube	
54	SR655458	3	Holder	
55	S0629052	12	Clip	

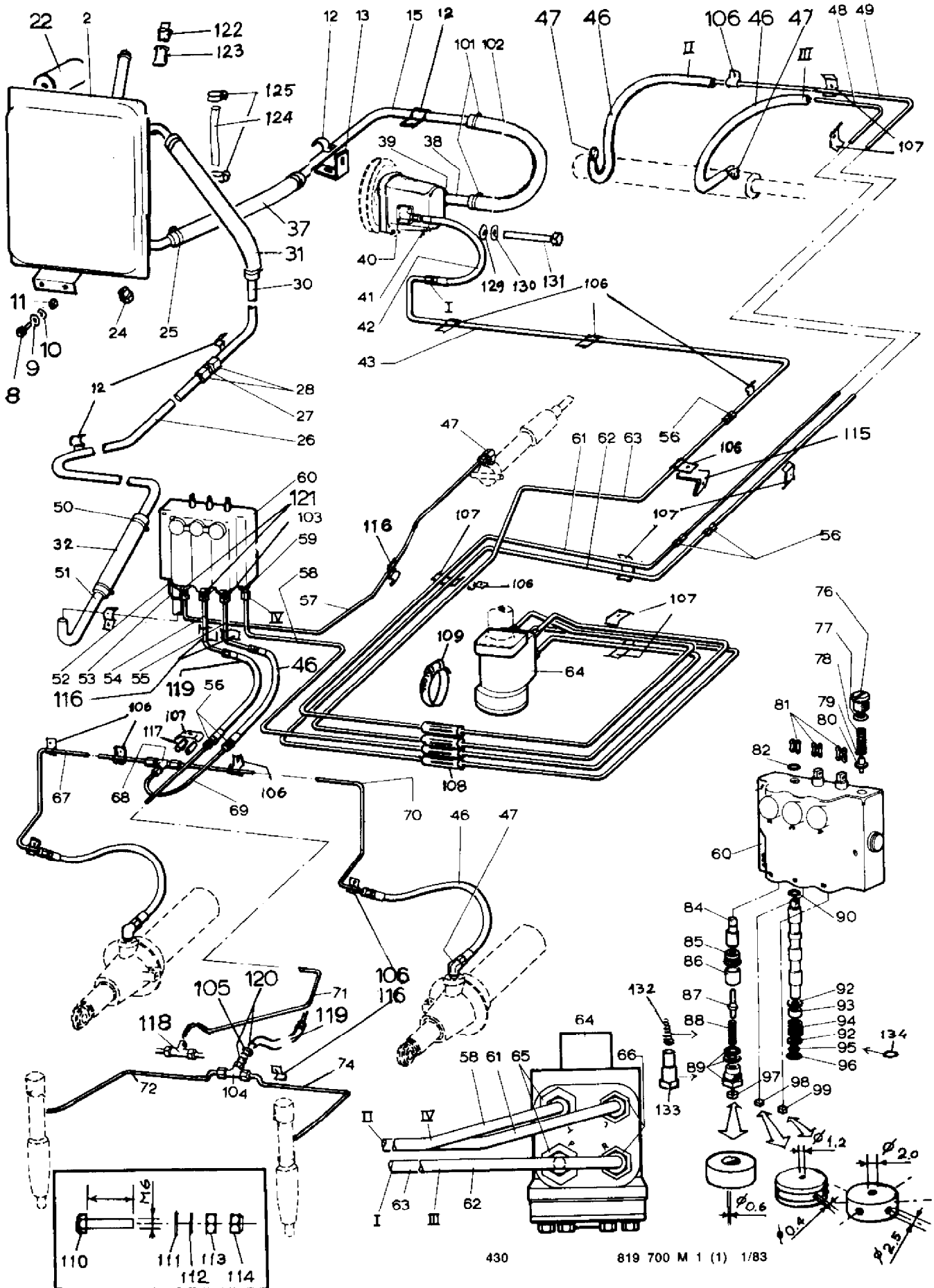
56A	SR644612	2	Hose	
56B	SR644611	2	Hose	
57	SR652362	1	Tube	
58	SR652361	1	Tube	
59	S8055518	1	Blinker Light	For Norway.
60	S6506034	4	Nut	For Norway.
61	S7414465	4	Lock Washer	For Norway.
62	S6210667	4	Screw	For Norway.
63	SR638706	1	Holder	For Norway.
64	S8033652	1	Light Switch	For Norway.
65	SR657040	1	Cable	For Norway.
66	SR641691	1	Cable	For Norway.
67	S0498802	1	Mirror Glass	
68	S6211877	1	Screw	
69	SR652300	1	Holder	
70	SR640782	1	Knuckle	
71	S7414055		Disc	
72	S6593838		Nut	
73	S6210667	1	Screw	
74	SR634410	1	Latch	
75	SR652032	1	Cover	
76	SR652043	1	Mat	
77	S0492363	4	Nozzle	
78	SR652031	1	Cover	
79	SR655338	1	Mat	
80	SR652042	1	Mat	
81	SR652040	1	Mat	
82	SR652038	1	Mat	
83	SR652041	1	Mat	
84	SR652039	1	Mat	
85	SR652324	2	Hose	
86	SR659633	1	Hose	
87	S0493016	1	Heater	
88	S0633567	2	Insulator	
89	S0481154	1	Slat	
94	S0481151	1	Blower	
95	S0481158	1	Union	
96	S0481159	1	Hose	
97	S0481156	1	Hose	
98	S0481157	1	Clip	
99	S0481183	2	Hose	
100	S0481174	2	Union	
101	S0481175	2	Union	
102	S0481176	2	Jet	
103	S0481180	4	Nut	
104	S0481179	8	Disc	

105	S0481178	2	Disc
106	S0481177	4	Screw
107	S0481150	1	Housing
108	S7266208		Screw
109	SR652046	4	Holder
110	SR652037	2	Holder
111	S7812114	4	Cotter
112	S0481152	1	Filter
113	S0481153	1	Filter
114	S0481181	2	Screw
115	S0481182	2	Nut
116	S0481163	1	Resistor
117	S0481161	1	Resistor
118	S0481164	1	Cable
119	S0481160	1	Cable
120	S0481162	1	Cable
121	SR652404	1	Hose
122	SR659634	1	Plug
125	S0481169	1	Filter
126	S0499085	1	Container
127	SR659629	1	Pedestal
128	S0481430	2	Clip
129	S0481155	2	Union
130	SR661300	1	Nipple
131			Engine
132	SR661299	1	Nipple
133	SR096755	2	Plate
134	SR661377	2	Hose
135	S0633567	2	Insulator
136	SR661400	2	Holder

(E)

BY ORDERING SEAL AND STRIP THE LENGTH SHALL
BE GIV EN IN METERS.

HYDRAULIKKA
HYDRAULIK
HYDRAULICS
HYDR. ANLAGE
HYDRAUL TQUE



AGCO Corporation
Parts List Report

Massey Ferguson (Europe)
MF 430 COMBINE
Page 126 - HYDRAULICS

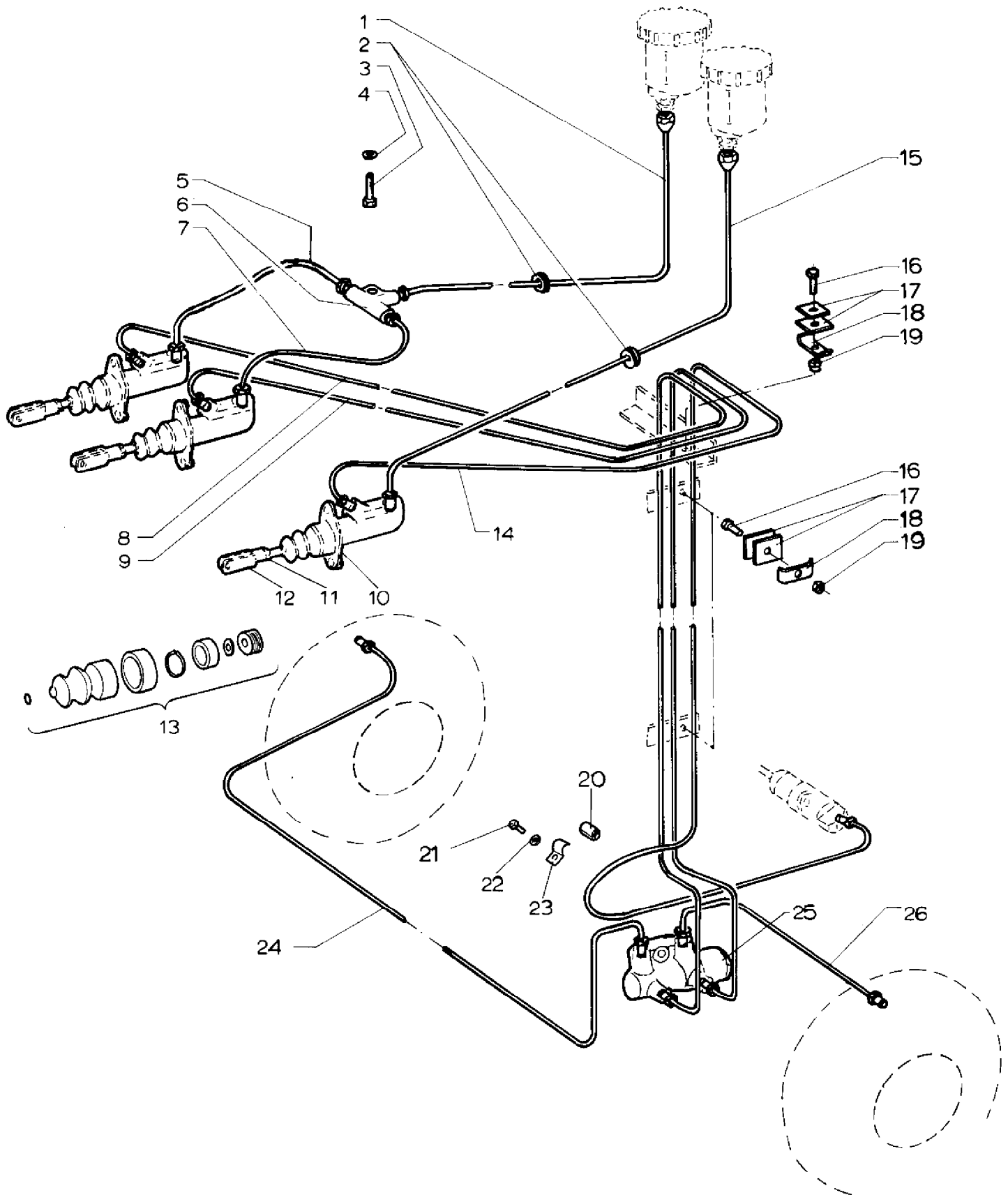
Item	Part Number	Qty	Part Description	Comments
2	SR640607	1	Oil Tank	(A, B)
8	S6220867	4	Screw	(A, B)
9	S7400032	4	Disc	(A, B)
10	S7414469	4	Lock Washer	(A)
10	S7414469	1	Lock Washer	(B)
11	S6506234	4	Nut	(A, B)
12	SR609517	6	Holder	(A, B)
13	SR613783	1	Holder	(A, B)
15	SR614081	1	Tube	(A, B)
22	S0499820	1	Oil Filter	(A, B)
24	S5401769	1	Plug	(A, B)
25	S0629054	2	Clip	(A, B)
26	SR611447	1	Tube	(A, B)
27	S0629385	1	Union	(A, B)
28	S0629330	2	Nut	(A, B)
30	SR640614	1	Tube	(A, B)
31	SR605641	1	Hydr Hose	(A, B)
32	SR605641	1	Hydr Hose	(A, B)
33	S0629054	2	Clip	(A, B)
35	SR614080	1	Tube	(A, B)
37	SR605641	1	Hydr Hose	(A, B)
38	SR652112	1	Pipe	(B)
39	S0629309	1	Union	(A, B)
40	S0629305	1	Union	(A, B)
41	S0492308	1	Hydraulic Pump	(A, B)
	S0480451	1	Kit, Joint	(A, B)
42	S0620868	1	Hydr Hose	(A, B)
43	SR611430	1	Tube	(A, B)
46	S0620869	5	Hydr Hose	(A, B)
47	S0629350	4	Nipple	(A, B)
48	SR652453	1	Tube	(A, B)
49	SR652454	1	Tube	(A, B)
50	S0629054	2	Clip	(A, B)
51	SR611446	1	Tube	(A, B)
52	S0629375	1	Union	(A, B)
	S0629340	1	Ring	(A, B)
	S0480303	1	O Ring	(A, B)
53	S0629330	1	Nut	(A, B)
54	SR640729	1	Tube	(A, B)

55	SR640935	1	Tube	(A, B)
56	S0629395	4	Union	(A, B)
57	SR640728	1	Tube	(A, B)
58	SR611436	1	Lead	(A, B)
59	S0629365	1	Union	(A, B)
	S0629335	1	Ring	(A, B)
	S0629325	1	Nut	(A, B)
	S0480303	1	O Ring	(A, B)
60	S0492305	1	Control Valve	(A, B)
61	SR652451	1	Tube	(A, B)
62	SR652452	1	Tube	(A, B)
63	SR611431	1	Tube	(A, B)
64	SR622311	1	Steering Pump	(A, B)
	S0480331	1	Kit, Joint	(A, B)
65	S0629360	2	Union	(A, B)
	S0629335	2	Ring	(A, B)
	S0629325	2	Nut	(A, B)
	S0480301	2	O Ring	(A, B)
	S0480305	2	Backup Ring	(A, B)
66	S0629355	2	Union	(A, B)
	S0480300	2	O Ring	(A, B)
	S0480304	2	Backup Ring	(A, B)
	S0629335	2	Ring	(A, B)
	S0629325	2	Nut	(A, B)
67	SR611440	1	Tube	(A, B)
68	S0629390	1	Union	(A, B)
69	SR640936	1	Tube	(A, B)
70	SR611439	1	Tube	(A, B)
71	SR640732	1	Tube	(A)
	SR640738	1	Pipe	(B)
72	SR640734		Tube	
	SR640740	1	Pipe	(A, B)
74	SR640733		Tube	
	SR640739	1	Pipe	(A, B)
76	S0480220	1	Plug	(B)
77	S0480218	1	Disc	(A, B)
78	S0480203	1	Spring	(A, B)
79	S0480227	1	Disc	(A, B)
80	S0480217	1	Valve	(A, B)
81	S0657097	1	Yoke	(A)
81	S0657097	3	Yoke	(B)
82	S0480210	3	O Ring	(A, B)
84	S0480207	3	Piston	(A, B)
85	S0480229	3	Bush	(A, B)
86	S0480228	3	Bush	(A, B)
87	S0480216	3	Valve	(A, B)

88	S0480204	3	Spring	(A, B)
89	S0480219	3	Plug	(A, B)
90	S0480212	3	O Ring	(A, B)
92	S0480201	3	Disc	(A)
92	S0480201	6	Disc	(B)
93	S0480215	6	Bush	(A)
93	S0480215	3	Bush	(B)
94	S0480214	3	Spring	(A, B)
95	S0480241	3	Screw	(A, B)
96	S0480202	3	Circlip	(A, B)
97	SR588820	3	Guide Bush	(A)
97	SR588820	1	Guide Bush	(B)
98A	SR645581	1	Guide Bush	(A)
99	SR605821	1	Guide Bush	(A, B)
101	S0629054	1	Clip	(A)
101	S0629054	2	Clip	(B)
102	SR656683	2	Hose	(A)
102	SR656683	2	Hose	(A)
102	SR656683	1	Hose	(B)
103	S0629370	1	Union	(B)
	S0629335	1	Ring	(A, B)
	S0629325	1	Nut	(A, B)
	S0480302	1	O Ring	(A, B)
104	S0629424	1	Union	(A, B)
105	S0629760	1	Union	(B)
106	SR064410	10	Holder	(B)
107	SR064409	10	Holder	(A)
107	SR064409	11	Holder	(B)
108	SR611938	11	Hose	(A)
108	SR611938	4	Hose	(B)
109	S0629055	4	Clip	(A)
109	S0629055	1	Clip	(B)
110	S6211067	1	Screw	(A)
110	S6211067	23	Screw	(B)
	S6211667	23	Screw	(A)
	S6211667	9	Screw	(B)
	S6211877	9	Screw	(A)
	S6211877	1	Screw	(B)
	S6212477	1	Screw	(A, B)
111	S7400030	1	Disc	(A)
111	S7400030	8	Disc	(B)
112	S7414465	8	Lock Washer	(A)
112	S7414465	16	Lock Washer	(B)
113	S6506034	16	Nut	(A)
113	S6506034	12	Nut	(B)
114	S6593838	12	Nut	(A)

114	S6593838	17	Nut	(B)
115	SR611919	17	Holder	(A)
115	SR611919	1	Holder	(B)
116	SR637145	1	Holder	(A)
116	SR637145	8	Holder	(B)
117	SR614083	8	Hose	(A)
117	SR614083	2	Hose	(B)
118	S0629413	1	Union	(A, B)
119	S0620866	1	Hydr Hose	(A)
119	S0620866	2	Hydr Hose	(B)
120	S0629428	2	Union	(B)
121	S0629416	2	Union	(A, B)
	S0480302	2	O Ring	(A, B)
	S0629332	2	Ring	(A, B)
	S0629320	2	Nut	(A, B)
122	SR638608	1	Plug	(A, B)
123	S5421101	1	Thimble	(A, B)
124	SR622361	1	Hose	(A, B)
125	S0629039	2	Clip	(A, B)
129	S7400033	2	Disc	(A, B)
130	S7414471	2	Lock Washer	(A, B)
131	S6228777	2	Screw	(A, B)
132	S0480250	3	Spring	(A, B)
133	S0480249	3	Plug	(A, B)
134	S0480251	3	Ring	(A, B)

JARRUPUTKET
 BROMSRÖR
 BRAKE LINES
 BREMSROHRE
 TUBES DE FREIN

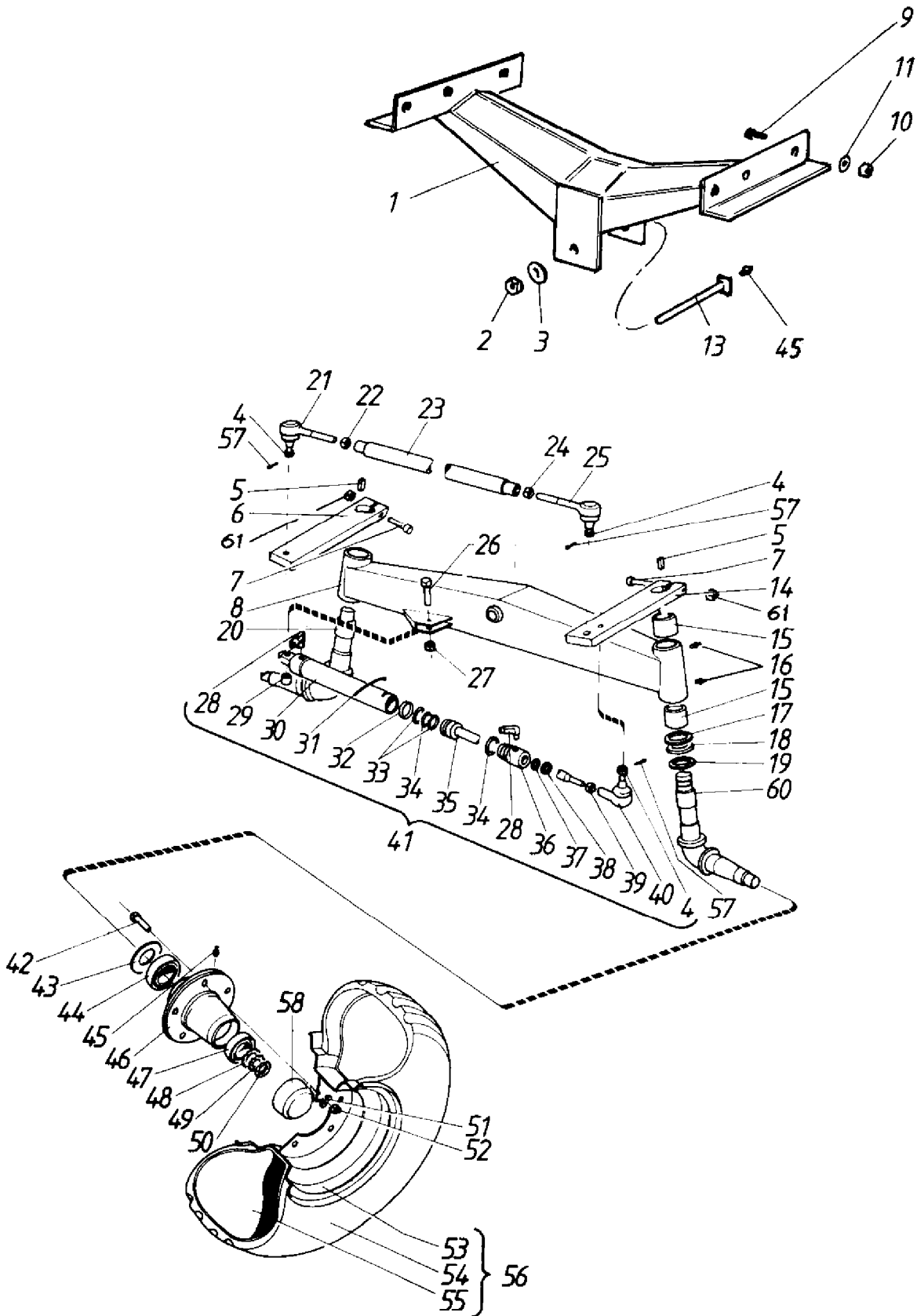


AGCO Corporation
Parts List Report

Massey Ferguson (Europe)
MF 430 COMBINE
Page 130 - BRAKE LINES

Item	Part Number	Qty	Part Description	Comments
1	SR612581	1	Tube	
2	S0633574	2	Spout	
3	S6212077	1	Screw	
4	S7414465	2	Lock Washer	
5	SR640993	1	Tube	Right Hand
6	S0629221	1	Teepiece	
7	SR612582	1	Tube	Left Hand
8	SR612590	1	Tube	
9	SR612589	1	Tube	
10	S0494510	3	Brake Cylinder	
11	S6510634	3	Nut	
12	SR605244	3	Fork	
13	S0480313	3	Kit, Repair	
14	SR612588	1	Tube	
15	SR612580	1	Tube	
16	S6211667	3	Screw	
17	SR605799	6	Rubber	
18	SR064409	3	Holder	
19	S6593838	3	Nut	
20	SR614083	1	Hose	
21	S6211067	1	Screw	
22	S7414465	1	Lock Washer	
23	SR064410	1	Holder	
24	SR612592	1	Tube	
25	S0498740	1	Valve	
26	SR612591	1	Tube	

TAKAPYÖRÄT
 BAKHJUL
 REAL WHEELS
 HINTERRÄDER
 ROUES ARRIERES



AGCO Corporation
Parts List Report

Massey Ferguson (Europe)

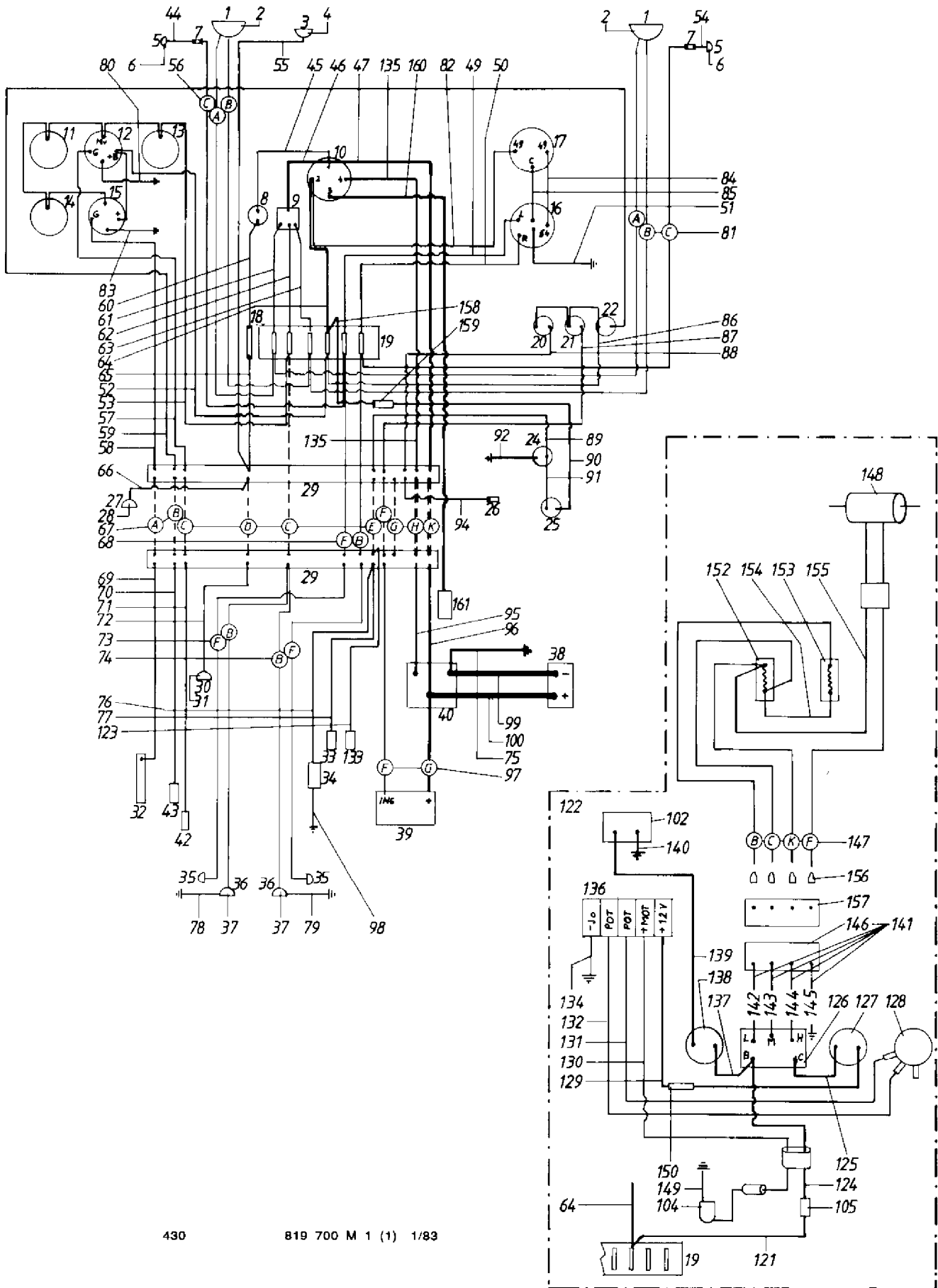
MF 430 COMBINE

Page 132 - REAR WHEELS-2 WHEEL DRIVE

Item	Part Number	Qty	Part Description	Comments
1	SR640514	1	Carrier	
2	S6594538	1	Nut	
3	SR638576	1	Disc	
4	S6536735	3	Nut	
5	SR638583	2	Wedge	
6	SR643418	1	Steering Lever	Right Hand
7	S6232973	2	Screw	
8	SR640875	1	Rear Axle	
9	S6231167	6	Screw	
10	S6506634	6	Nut	
11	S7400034	6	Washer	
13	SR620392	1	Pin	
14	SR643417	1	Steering Lever	Left Hand
15	SR581450	4	Bearing Thrust	
16	S0252475	4	Nipple	
17	S0554122	4	Disc	
18	S0554119	2	Bearing Needle	
19	SR628324	2	Disc	
20	SR643416	1	Steering Knuckle	
21	S0497731	1	Toggle	Right Hand
22	S6521731	1	Nut	Right Hand
23	SR640927	1	Steering Tie Rod	
24	S6521831	1	Nut	Left Hand
25	S0497730	1	Knuckle	Left Hand
26	S6232177	1	Screw	
27	S6594238	1	Nut	
28	S0629350	2	Nipple	
29	S0633818	1	Bush	
30	SR622169	2	Cylinder	
31	SR621152	1	Wire	
32	S0634920	1	Ring	
33	S7815987	2	Backup Ring	
34	S0633240	2	O Ring	
35	SR622173	1	Piston	
36	SR622172	1	Guide Bush	
37	S0633947	1	Seal	
38	S0633938	1	Stripper	
39	S6549462	1	Nut	
40	S0497733	1	Knuckle	

41	SR622168	1	Steering Cyl
42	S6241560	10	Screw
43	SR636064	2	Washer
44	S0480565	2	Bearing
45	S0252420	3	Nipple
46	SR633354	2	Hub
47	S0480564	2	Bearing
48	S0562027	2	Disc
49	S0562006	2	Disc
50	S0563006	2	Nut
51	S7400036	10	Disc
52	S6594438	10	Nut
53	S0480570	2	Rim
54	S0480572	2	Tyre
55	S0480571	2	Hose
56	S0492561	2	Wheel
57	S7812116	3	Cotter
58	SR638582	2	Protector
60	SR643415	1	Steering Knuckle
61	S6594242	2	Nut

KYTKENTÄKAAVIO
KOPPLIGSSCHEMA
WIRING DIAGRAM
SCHALTSCHEMA
SCHEMA DE CONNEXIONS



AGCO Corporation
Parts List Report

Massey Ferguson (Europe)
MF 430 COMBINE
Page 134 - WIRING DIAGRAM

Item	Part Number	Qty	Part Description	Comments
1	S8080020	2	Lamp	
2	S8035082	2	Bulb	
3	S8080021	1	Work Light	
5	S8080535	2	Blinker Light	
6	S8035127	2	Bulb	
7	S8033638	2	Connectors	
8	S8033652	1	Light Switch	
9	S8033653	1	Light Switch	
10	S8080552	1	Starting Switch	
11	S0296008	1	Tachometer	
	S8035107	1	Bulb	
12	S0480653	1	Thermometer	
	S8035107	1	Bulb	
13	S0296040	1	Rev Indicator	
	S8035107	1	Bulb	
14	S0296011	1	Rev Indicator	
	S8035107	1	Bulb	
15	S0294115	1	Fuel Indicator	
	S8035107	1	Bulb	
16	S8033647	1	Blinker Switch	
	S8035107	1	Bulb	
17	S8063226	1	Blinker Unit	
18	S8063080	1	Fuse Box	
	S8066650	1	Fuse	
19	S8063072	1	Fuse Box	
	S8066650	6	Fuse	
20	S8070076	1	Bulb	YELLOW
	S8035091	1	Bulb	
21	S8070075	1	Bulb	GREEN
	S8035091	1	Bulb	
22	S8070074	1	Bulb	RED
	S8035091	1	Bulb	
24	S8094925	1	Switch	
25	S8094918	1	Horn	
26	S0492794	1	Switch	
27	S8080035	1	Light	(E)
28	S8035127	1	Bulb	(E)
29	S8033638	2	Connectors	(E)
30	S8080021	1	Work Light	

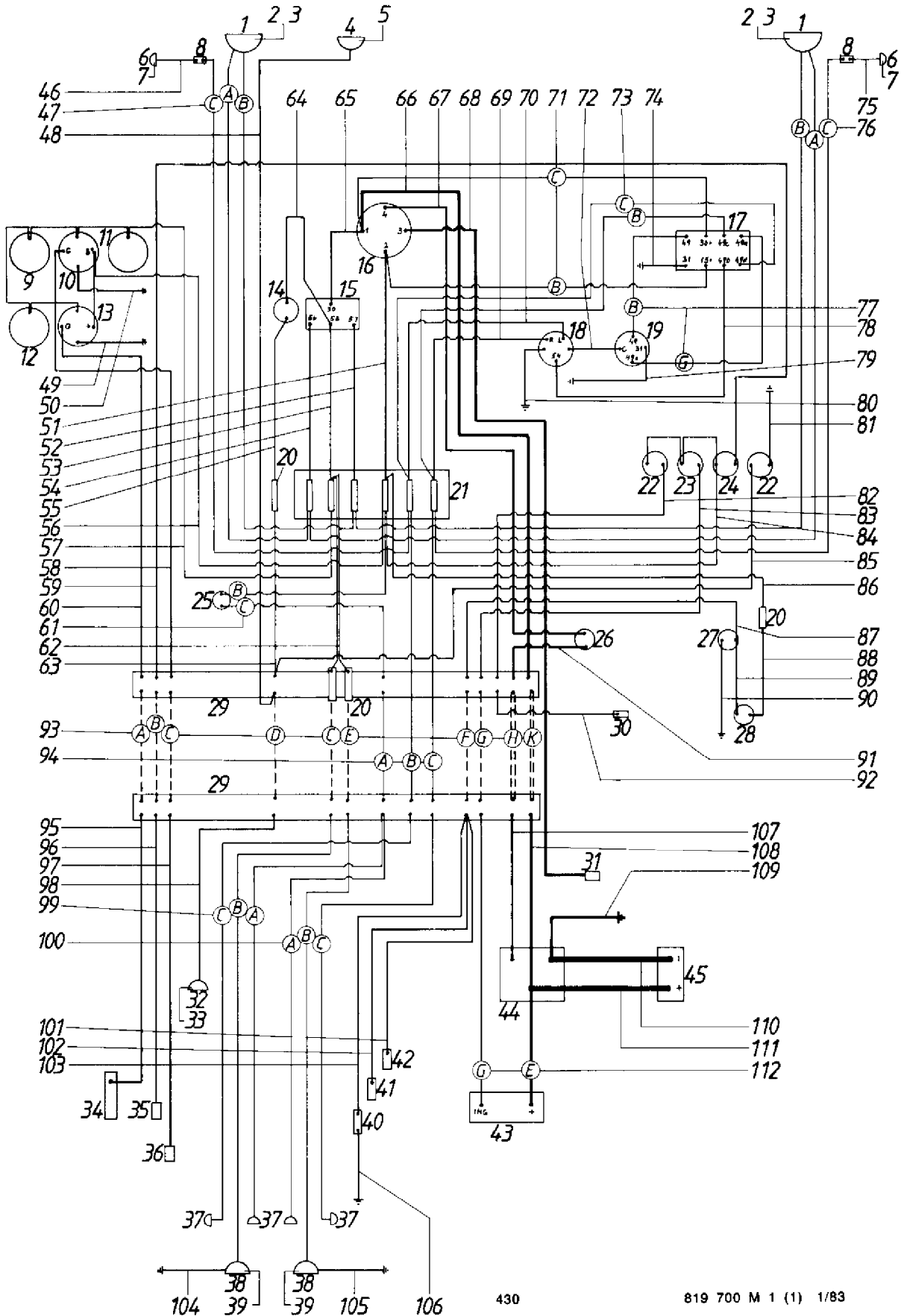
31	S8035083	1	Bulb	
32		1	Tank	
33		1	Elevator	
34	S8033649	1	Switch	
35	S8035127	2	Bulb	
36	S8070025	2	Rear Lamp	
37	S8035110	2	Bulb	
38	S8000730	1	Battery	
39		1	Alternator	
40		1	Statermotor	
42		1	Indicator	
43	S0494845	1	Sender	
	SR659685	1	Cable	
44	SR629747	1	Cable	RED
	SR644444	1	Cable	(E) RED
45	SR611898	1	Cable	GREY
46	SR605870	1	Cable	WHITE
47	SR605868	1	Cable	GREY
49	SR605834	1	Cable	RED
50	SR605828	1	Cable	YELLOW
51	SR605847	1	Cable	BLACK
52	SR605878	1	Cable	BROWN
53	SR605877	1	Cable	BLUE
54	SR629747	1	Cable	RED
55	SR613882	1	Cable	RED
	SR634445	1	Cable	(E) RED
56	SR640806	1	Cable	A - BROWN B - BLUE C - YELLOW
57	SR605842	1	Cable	GREY
58	SR611903	1	Cable	BLUE
59	SR605839	1	Cable	YELLOW
60	SR640813	1	Cable	GREY
61	SR640812	1	Cable	BLACK
62	SR640810	1	Cable	WHITE
63	SR640811	1	Cable	BLUE
64	SR605869	1	Cable	RED
65	SR640813	1	Cable	GREY
66	SR639805	1	Cable	(E) RED
67	SR605825	1	Cable	A - BROWN B - BLUE C - YELLOW D - GREEN

				E - WHITE
				F - BLACK
				G - GREY
				H - VIOLET
				K - RED
68	SR611423	1	Cable	B - BLUE
				F - BLACK
69	SR613888	1	Cable	YELLOW
70	SR659698	1	Cable	BLUE
71	SR613903	1	Cable	GREY
72	SR613882	1	Cable	RED
73	SR613886	1	Cable	B - BLUE
				F - BLACK
74	SR643847		Cable	F - BLACK
75	SR613896	1	Cable	GREY
76	SR613883	1	Cable	WHITE
77	SR613889	1	Cable	RED
78	SR613824	1	Cable	RED
79	SR613824	1	Cable	RED
80	SR605848	1	Cable	BLACK
81	SR640807	1	Cable	A - BROWN
				B - BLUE
				C - YELLOW
82	SR605846	1	Cable	RED
83	SR611900	1	Cable	BLACK
84	SR605841	1	Cable	BLUE
85	SR605840	1	Cable	YELLOW
86	SR611897	1	Cable	BROWN
87	SR611901	1	Cable	BLACK
88	SR611902	1	Cable	YELLOW
89	SR605831	1	Cable	WHITE
90	SR605845	1	Cable	WHITE
91	SR605845	1	Cable	WHITE
92	SR605847	1	Cable	BLACK
94	SR605849	1	Cable	YELLOW
95	SR659695	1	Cable	BLACK
96	SR659694	1	Cable	RED
97	SR659688	1	Cable	F - BLACK
				G - GREY
98	SR076758	1	Cable	WHITE
99	SR659609	1	Cable	BLUE
100	SR659608	1	Cable	BLUE
102	S0498896	1	Engine	
104	S0481428	1	Pump	(E)
105	S8063080	1	Fuse Box	(E)
	S8066660	1	Fuse	(E)

121	SR634438	1	Cable	(E) WHITE
122			Air Conditioner	
123	SR613889	1	Cable	RED
124	SR652482	1	Cable	WHITE
125	SR652467		Cable	GREY
126	S0481172	1	Switch	
127	S8033652	1	Light Switch	
128	S0481171	1	Switch	
129	SR652480	1	Cable	GREY
130	SR661217	1	Cable	RED
131		1	Cable	BLUE
132		1	Cable	WHITE
133		1	Elevator	
134	SR652469	1	Cable	BLACK
135	SR655189	1	Cable	BLACK
136	S0481170	1	Wiring Diagram	
137	SR652467	1	Cable	GREY
138	S8033652	1	Light Switch	
139	SR652471	1	Cable	BLUE
140	SR652470	1	Cable	BLACK
141	SR652463	1	Cable	
142				BLUE
143				YELLOW
144				RED
145				GREEN
146				CLAMP
147				BROWN
				B - BLUE
				YELLOW
				GREEN
				F - BLACK
148	S0481151	1	Blower	
149	SR652484	1	Cable	BLACK
150	S8063081	1	Fuse Box	
	S8066661		Fuse	
152	S0481161	1	Resistor	
153	S0481163	1	Resistor	
154	S0481164	1	Cable	
155	S0481162	1	Cable	
156	S8030580	4	Clip	
157	S8030121	1	Clip	
158	SR640813	1	Cable	GREY
159	S8063080	1	Fuse Box	
	S8066650	1	Fuse	
160	SR661487	1	Cable	BLACK

(E)
ONLY CAB

KYTKENTÄKAAVIO, SAKSA
KOPPLINGSSCHEMA, TYSKLAND
WIRING DIAGRAM, GERMANY
SCHALTSCHEMA, DEUTSCHLAND
SCHEMA DES CONNEXIONS, ALLEMAGNE



AGCO Corporation
Parts List Report

Massey Ferguson (Europe)
MF 430 COMBINE
Page 140 - WIRING DIAGRAM - GERMANY

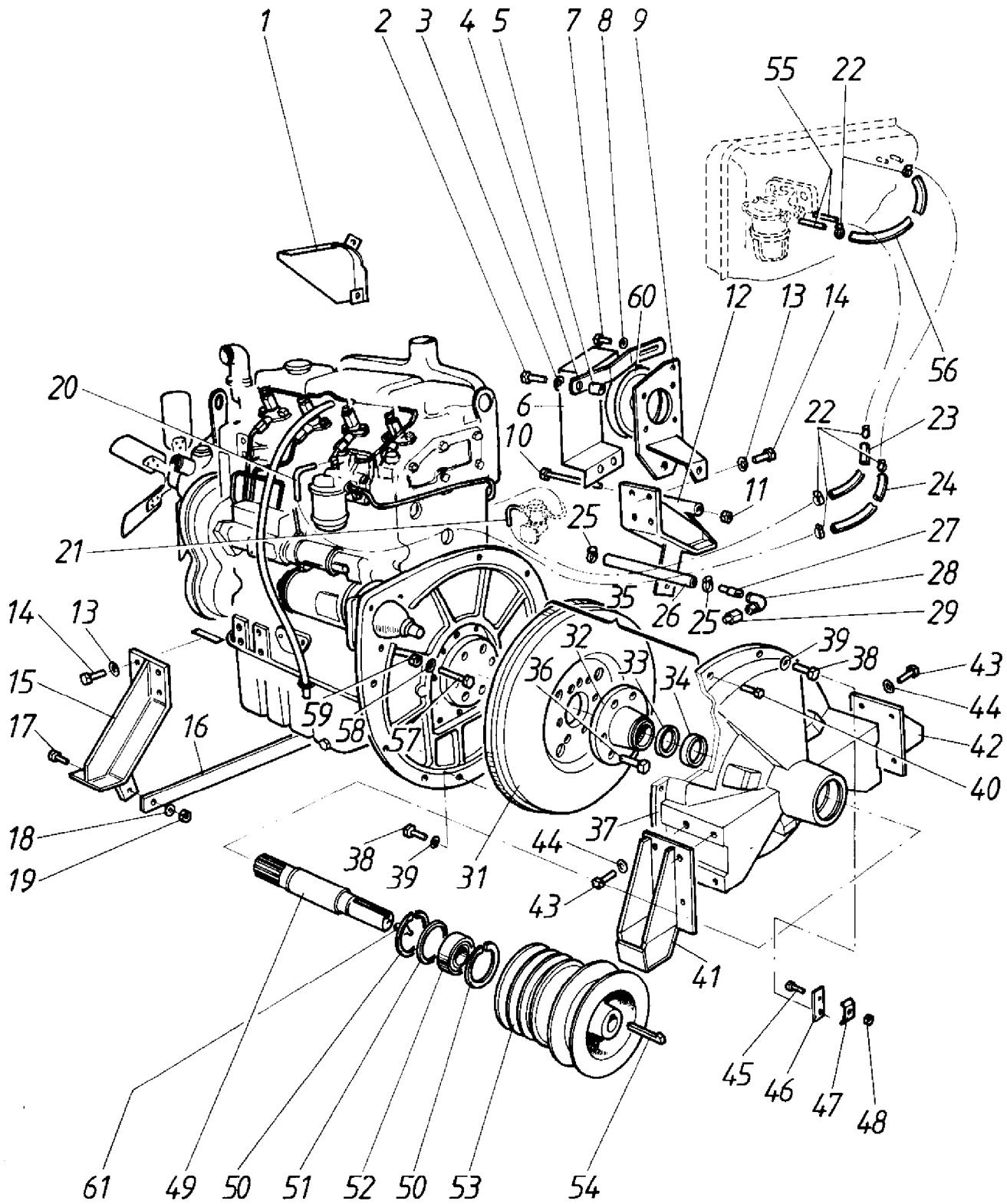
Item	Part Number	Qty	Part Description	Comments
				GERMANY
1	S8080022	2	Lamp	For Germany only or any text in German only.
2	S8035082	2	Bulb	
3	S8035091	2	Bulb	For Germany only or any text in German only.
4	S8080021	1	Work Light	
5	S8035083	1	Bulb	
6	S8080535	2	Blinker Light	
7	S8035127	2	Bulb	
8	S8033638	2	Connectors	
9	S0296008	1	Tachometer	
	S8035107	1	Bulb	
10	S0480653	1	Thermometer	
	S8035107	1	Bulb	
11	S0296040	1	Rev Indicator	
	S8035107	1	Bulb	
12	S0296011	1	Rev Indicator	
	S8035107	1	Bulb	
13	S0294115	1	Fuel Indicator	
	S8035107	1	Bulb	
14	S8033652	1	Light Switch	
15	S8033653	1	Light Switch	
16	S8080552	1	Starting Switch	
17	S8080540	1	Blinker Unit	For Germany only or any text in German only.
18	S8033647	1	Blinker Switch	
	S8035107	1	Bulb	
19	S8063225	1	Blinker Unit	
20	S8063080	4	Fuse Box	
	S8066650	4	Fuse	
21	S8063072	1	Fuse Box	
	S8066650	6	Fuse	
22	S8070076	2	Bulb	YELLOW
	S8035091	2	Bulb	
23	S8070075	1	Bulb	GREEN
	S8035091	1	Bulb	
24	S8070074	1	Bulb	RED
	S8035091	1	Bulb	
25	S8033660	1	Switch	For Germany only or any text in German only.
26	S8094925	1	Switch	
27	S8094925	1	Switch	

28	S8094918	1	Horn	
29	S8033638	2	Connectors	
30	S0492794	1	Switch	
31	S2666108	1	Heater	
32	S8080021	1	Work Light	
33	S8035083	1	Bulb	
34		1	Tank	
35	S0494845	1	Sender	
36		1	Indicator	
37	S8035095	4	Bulb	For Germany only or any text in German only.
38	S8070021	2	Rear Lamp	For Germany only or any text in German only.
39	S8035093	2	Bulb	For Germany only or any text in German only.
40	S8033649	1	Switch	
41		1	Elevator	
42		1	Elevator	
43		1	Alternator	
44		1	Startermotor	
45	S8000730	1	Battery	
46	SR665365	1	Cable	RED For Germany only or any text in German only.
47	SR665360	1	Cable	A - BROWN For Germany only or any text in German only. B - BLUE C - YELLOW
48	SR665366	1	Cable	RED For Germany only or any text in German only.
49	SR605848	1	Cable	BLACK
50	SR611900	1	Cable	BLACK
51	SR605869	1	Cable	BLACK
52	SR640811	1	Cable	BLUE
53	SR640810	1	Cable	WHITE
54	SR640812	1	Cable	BLACK
55	SR640813	1	Cable	GREY
56	SR605878	1	Cable	BROWN
57	SR605877	1	Cable	BLUE
58	SR605842	1	Cable	GREY
59	SR611903	1	Cable	BLUE
60	SR605839	1	Cable	YELLOW
61	SR665367	1	Cable	B - BLUE G - BLACK
62	SR645513	1	Cable	RED
63	SR640813	1	Cable	GREY
64	SR640813	1	Cable	GREY
65	SR605870	1	Cable	WHITE
66	SR605868	1	Cable	GREY
67	SR665368	1	Cable	BLACK

				For Germany only or any text in German only.
68	SR661487	1	Cable	BLACK
69	SR605828	1	Cable	YELLOW
70	SR605834	1	Cable	RED
71	SR645519	1	Cable	B - BLUE
				For Germany only or any text in German only.
				G - BLACK
72	SR605840	1	Cable	YELLOW
73	SR645521	1	Cable	B - BLUE
				For Germany only or any text in German only.
				G - BLACK
74	SR645526	1	Cable	BLACK
				For Germany only or any text in German only.
75	SR665365	1	Cable	RED
				For Germany only or any text in German only.
76	SR665361	1	Cable	A - BROWN
				For Germany only or any text in German only.
				B - BLUE
				C - YELLOW
77	SR645520	1	Cable	B - BLUE
				For Germany only or any text in German only.
				G - BLACK
78	SR645544	1	Cable	GREY
				For Germany only or any text in German only.
79	SR605848	1	Cable	BLACK
80	SR605847	1	Cable	BLACK
81	SR661537	1	Cable	BLACK
				For Germany only or any text in German only.
82	SR611902	1	Cable	YELLOW
83	SR611901	1	Cable	BLACK
84	SR611897	1	Cable	BROWN
85	SR661536	1	Cable	GREY
				For Germany only or any text in German only.
86	SR640813	1	Cable	GREY
87	SR605831	1	Cable	WHITE
88	SR605845	1	Cable	WHITE
89	SR605845	1	Cable	WHITE
90	SR605847	1	Cable	BLACK
91	SR665369	1	Cable	BLACK
				For Germany only or any text in German only.
92	SR605849	1	Cable	YELLOW
93	SR605825	1	Cable	A - BROWN
				B - BLUE
				C - YELLOW
				D - GREEN
				G - GREY

				F - WHITE
				G - BLACK
				H - VIOLET
				K - RED
94	SR665364	1	Cable	A - BROWN
				For Germany only or any text in German only.
				B - BLUE
				C - YELLOW
95	SR613888	1	Cable	YELLOW
96	SR659697	1	Cable	BLUE
97	SR613903	1	Cable	GREY
98	SR665366	1	Cable	GREY
				For Germany only or any text in German only.
99	SR665362	1	Cable	A - BROWN
				For Germany only or any text in German only.
				B - BLUE
				C - YELLOW
100	SR665363	1	Cable	A - BROWN
				For Germany only or any text in German only.
				B - BLUE
				C - YELLOW
101	SR613889	1	Cable	RED
102	SR613889	1	Cable	RED
103	SR613883	1	Cable	WHITE
				For Germany only or any text in German only.
104	SR645527	1	Cable	RED
				For Germany only or any text in German only.
105	SR645527	1	Cable	RED
106	SR076758	1	Cable	WHITE
107	SR659695	1	Cable	BLACK
108	SR659694	1	Cable	GREY
109	SR613896	1	Cable	GREY
110	SR659609	1	Cable	BLUE
111	SR659608	1	Cable	BLUE
112	SR659688	1	Cable	E - GREY
				G - BLACK

MOOTTORIN VARUSTEET
MOTORS UTRUSTNING
ENGINE EQUIPMENT
AUSRÜSTUNG DES MOTORS
EQUIPEMENT DE MOTEUR



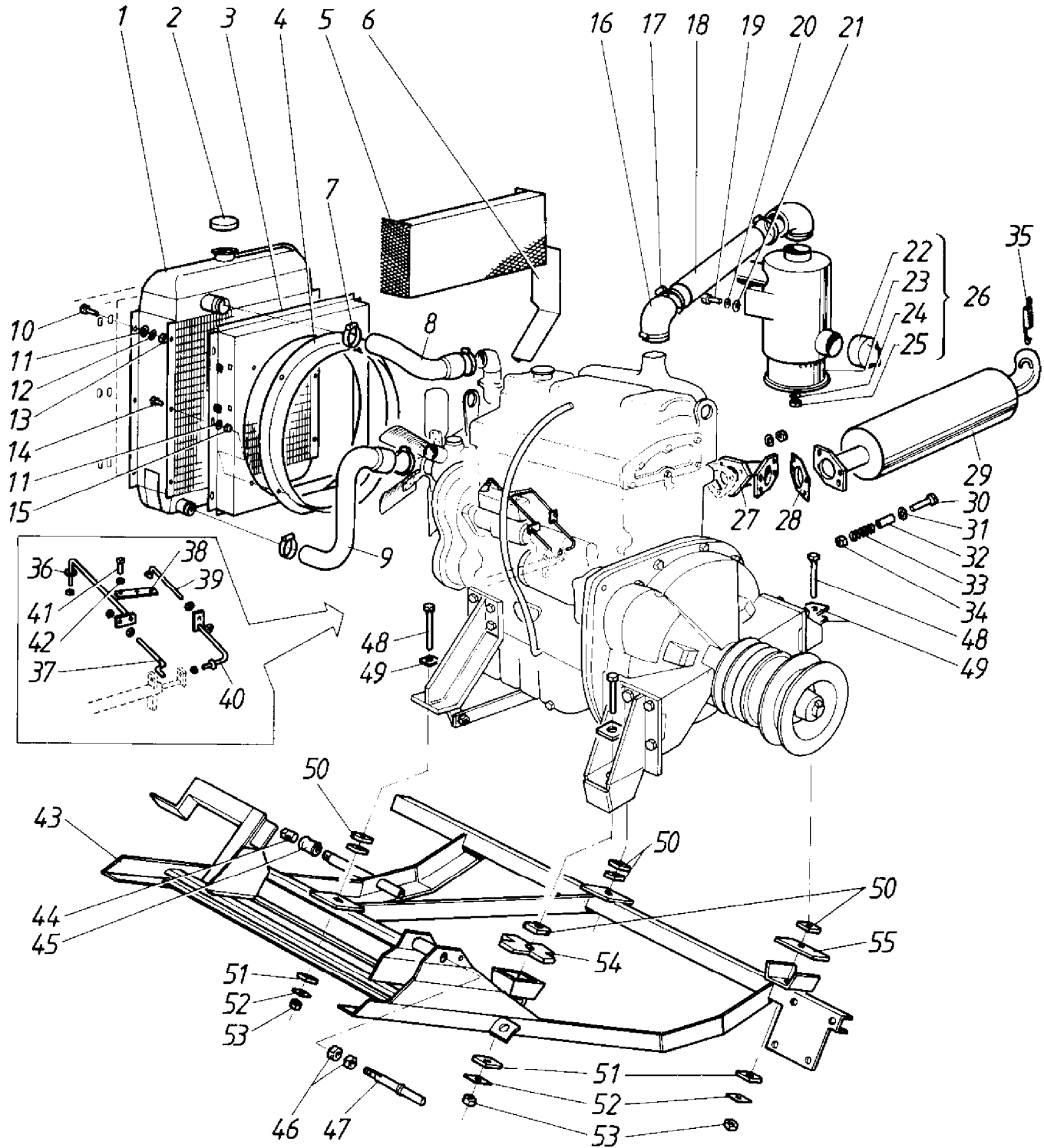
AGCO Corporation
Parts List Report

Massey Ferguson (Europe)
MF 430 COMBINE
Page 144 - ENGINE EQUIPMENT

Item	Part Number	Qty	Part Description	Comments
1	SR659582	1	Protector	
2	S6460142	1	Screw	
3	S7400033	1	Disc	
4	SR659451	1	Arm	
5	SR659452	1	Bush	
6	SR633934	1	Protector	
7	S6221467	1	Screw	
8	S7414057	1	Disc	
9	SR655358	1	Mounting	
10	S6234777	1	Screw	
11	S6594238	1	Nut	
12	SR657105	1	Console	
13	S7410212	8	Disc	
14	S6463662	8	Screw	
15	SR657101	1	Console	
16	SR605607	1	Stay	
17	S6231367	2	Screw	
18	S7414473	2	Lock Washer	
19	S6506634	2	Nut	
20	SR659594	1	Tube	
21	SR659595	1	Tube	
22	S0629037	4	Clip	
23	SR661360	1	Hose	
24	SR605967	1	Hose	
25	S0629055	2	Clip	
26	SR659599	1	Tube	
27	SR605611	1	Reducer	
28	S5465809	1	Elbow	
29	SR657138	1	Union	
31	SR657072	1	Flywheel	
32	SR657046	1	Hub	
33	SR659449	1	Seal	
34	SR659448	1	Cover	
35	SR659450	1	Bearing	
36	S0468262	6	Screw	
37	SR659294	1	Flywheel Housing	
38	S6460142	12	Screw	
39	S7400033	12	Disc	
40		1	Bolt	

41	SR659404	1	Console	Left Hand
42	SR659409	1	Console	Right Hand
43	S6226587	8	Screw	
44	S7400033	8	Disc	
45	S6211877	1	Screw	
46	SR659462	1	Strap	
47	SR064409	1	Holder	
48	S6593838	1	Nut	
49	SR657037	1	Shaft	
50	S7815263	2	Circlip	
51	S7815988	1	Backup Ring	
52	S0502392	1	Bearing	
53	SR657018	1	Pulley	
54	S7712120	1	Gib Key	
55	SR659593	2	Tube	
56	SR661359	1	Hose	
57	S6227967	3	Screw	
58	S7400033	3	Disc	
59	S6506434	3	Nut	
60	SR602445	1	Pulley	
61	S0252420	1	Nipple	

JÄÄHDYTIN JA MOOTT. TELINE
 KYLARE OCH MOTORNS STATIV
 COOLER AND ENGINE BED
 KÜHLER UND MOTORRAHMEN
 RADIATEUR ET CHASSIS DE MOTEUR



AGCO Corporation
Parts List Report

Massey Ferguson (Europe)

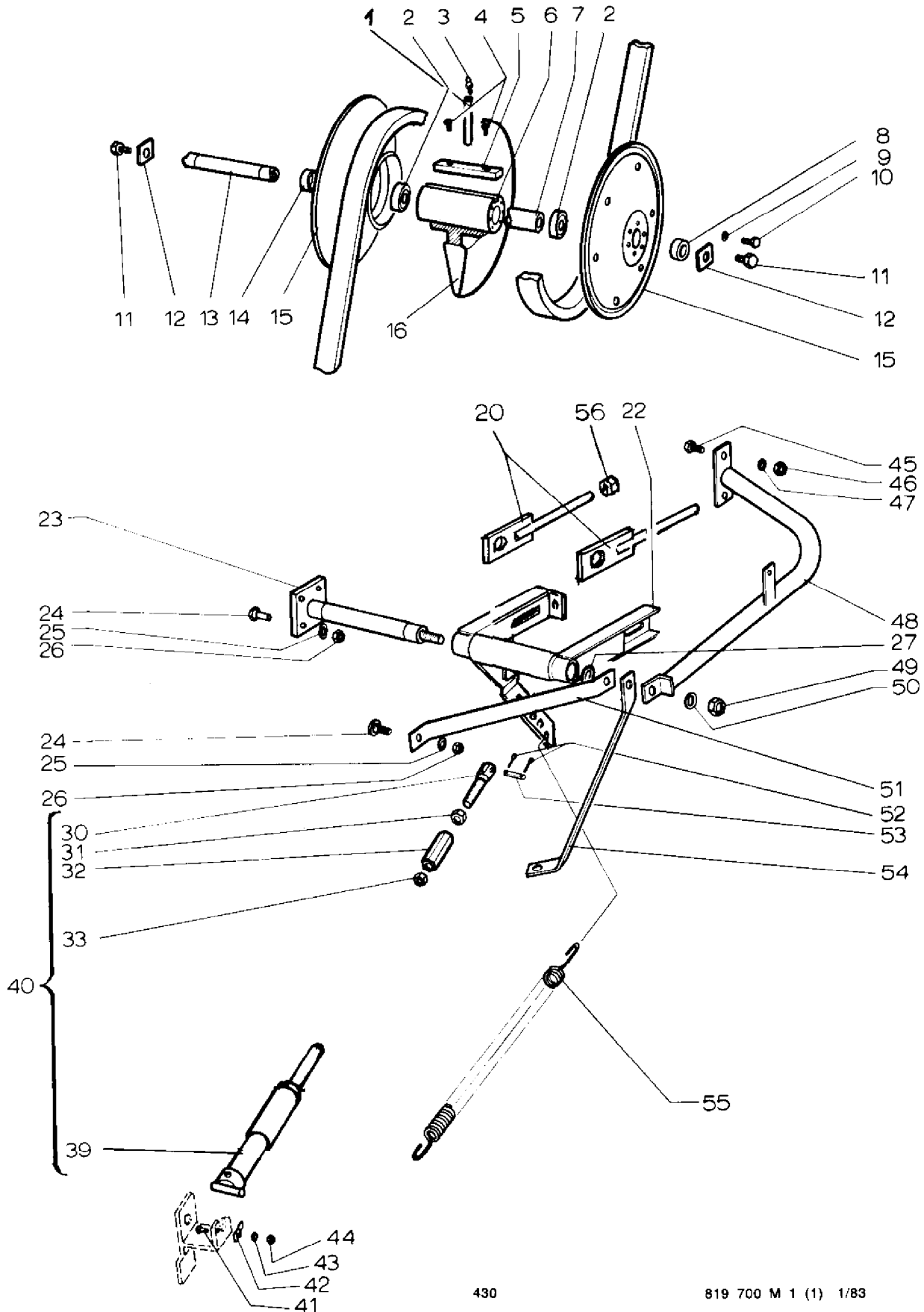
MF 430 COMBINE

Page 146 - COOLER AND ENGINE BED

Item	Part Number	Qty	Part Description	Comments
1	S0493585	1	Radiator	
2	SR074672	1	Cover	
3	SR659485	1	Baffle	
4	SR657114	1	Protector	
5	SR619700	1	Protector	
6	SR659600	1	Protector	
7	S0629057	4	Clip	
8	S0620892	1	Hose	
9	S0620893	1	Hose	
10	S6210667	6	Screw	
11	S7400030		Disc	
12	S7414465		Lock Washer	
13	S6506034	6	Nut	
14	S6210667	10	Screw	
15	S6593838	10	Nut	
16	S0620847	2	Elbow	
17	S0629068	4	Clip	
18	SR659419	1	Tube	
19	S6220867	4	Screw	
20	S7414469	4	Lock Washer	
21	S7414059	4	Disc	
22	S0480351	1	Valve	
23	S0480352	1	Filter Insert	
24	S7400032	1	Disc	
25	S6594038	4	Nut	
26	S0492367	1	Filter	
27	SR661144	1	Manifold	
28	SR655464	1	Spacer	
29	SR659641	1	Silencer	
30	S6227567	4	Screw	
31	S7400033	4	Disc	
32	SR656817	4	Bush	
33	S0415108	4	Spring	
34	S6506434	4	Nut	
35	S0415112	1	Spring	
36	SR659428	1	Cutoff	
37	SR609778	1	Cutoff	
38	SR659461	1	Strap	
39	SR636687	1	Lever	

40	SR659430	1	Lever
41	S6210667	1	Screw
42	S6593838	7	Nut
43	SR594094	1	Engine Carrier
44	S5421769	1	Plug
45	S5421098	1	Sleeve
46	S6507231	2	Nut
47	SR614513	1	Pin
48	S6233397	4	Screw
49	SR605622	6	Disc
50	S0400582	6	Damper
51	S0400583	4	Damper
52	SR605623	4	Disc
53	S6594238	4	Nut
54	S0400581	1	Damper
55	S0400580	1	Damper

**AJOMUUTIN
KÖRVARIATOR
VARIABLE SPEED DRIVE
FAHRVARIATOR
VARIATEUR D'AVANCEMENT**



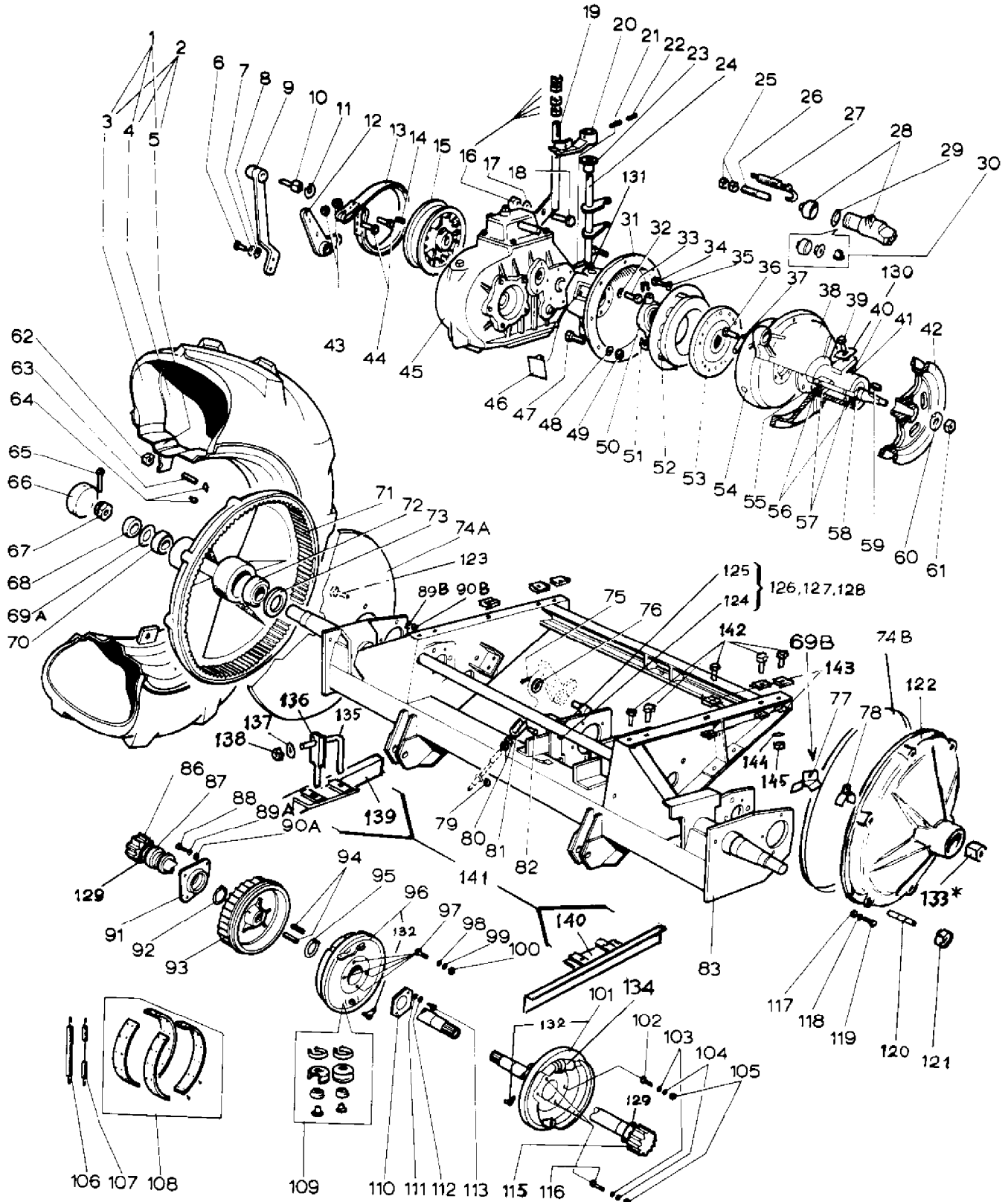
AGCO Corporation
Parts List Report

Massey Ferguson (Europe)
MF 430 COMBINE
Page 148 - VARIABLE SPEED DRIVE

Item	Part Number	Qty	Part Description	Comments
1	SR593184	1	Tube	
2	S0502365	2	Bearing	
3	S0252405	1	Nipple	
4	S6164851	2	Screw	
5	SR593551	1	Wedge	
6	SR593179	1	Hub	
7	SR593549	1	Ring	
8	SR593548	1	Tube	
9	S7412469	12	Spring Plate	
10	S6221467	12	Screw	
11	S6231167	2	Screw	
12	SR609568	2	Disc	
13	SR593547	1	Shaft	
14	SR593548	1	Tube	
15	SR609565	2	Pulley Half	
16	SR593169	1	Disc	
20	SR640506	2	Tensioner	
21	S0252405	1	Nipple	
22	SR640501	1	Fork	
23	SR593544	1	Axle	
24	S6226367	5	Screw	
25	S7414471	5	Lock Washer	
26	S6506434	5	Nut	
27	S7414489	1	Spring Plate	
30	SR592379	1	Screw	
31	SR592381	1	Nut	Left Hand
32	SR592382	1	Turnbuckle	
33	S6507034	1	Nut	
39	SR638536	1	Cylinder	
40	SR638535	1	Cylinder	
41	S6211067	1	Screw	
42	SR588383	1	Latch	
43	S7414465	1	Lock Washer	
44	S6506034	1	Nut	
45	S6226367	2	Screw	
46	S6506434	2	Nut	
47	S7414471	2	Lock Washer	
48	SR640550	1	Stay	
49	S6507224	1	Nut	

50	S7400038	2	Disc
51	SR640553	1	Stay
52	S7812114	2	Cotter
53	SR590010	1	Pin
54	SR640552	1	Stay
55	S0415249	1	Tension Spring
56	S6594148	2	Nut

ETUAKSELI
FRAMAXEL
FRONT AXLE
VORDERACHSE
ESSIEU AVANT



AGCO Corporation
Parts List Report

Massey Ferguson (Europe)
MF 430 COMBINE
Page 150 - FRONT AXLE

Item	Part Number	Qty	Part Description	Comments
1	S0492589	1	Wheel	Right Hand
2	S0492588	1	Wheel	Left Hand
3	S0480575	2	Tyre	
4	S0480574	2	Hose	
5	S0480573	2	Rim	
6	S6221267	2	Screw	
7	S7414469	2	Lock Washer	
8	S7400032	2	Disc	
9	SR609504	1	Lever	
10	SR609509	1	Driving	
11	S7412984	1	Disc	
12	SR609510	1	Lever	
13	SR609511	1	Brake Band	
14	S7717156	1	Wedge	
15	SR605977	1	Brake Drum	
16	S6507034	1	Nut	
17	S7414477	1	Lock Washer	
18	S6241777	1	Screw	
19	SR593778	1	Arm	
20	SR605279	1	Lever	
21	S7814177	2	Roll Pin	
22	S7814107	1	Roll Pin	
23	SR605789	1	Bush	
24	SR605284	1	Fork	
25	S6506234	2	Nut	
26	SR605288	1	Stud	
27	SR605043	1	Tension Spring	
28	S0498745	1	Cylinder	
29	S7815025	1	Circlip	
30	S0480314	1	Kit, Repair	
31	SR602510	1	Housing	
32	S7412469	8	Spring Plate	
33	S6221467	8	Screw	
34	S6221267	12	Screw	
35	S7412469	12	Spring Plate	
36	S6226167	6	Screw	
37	SR602514	3	Tab Washer	
38	SR602511	1	Housing	
39	S6226767	2	Screw	

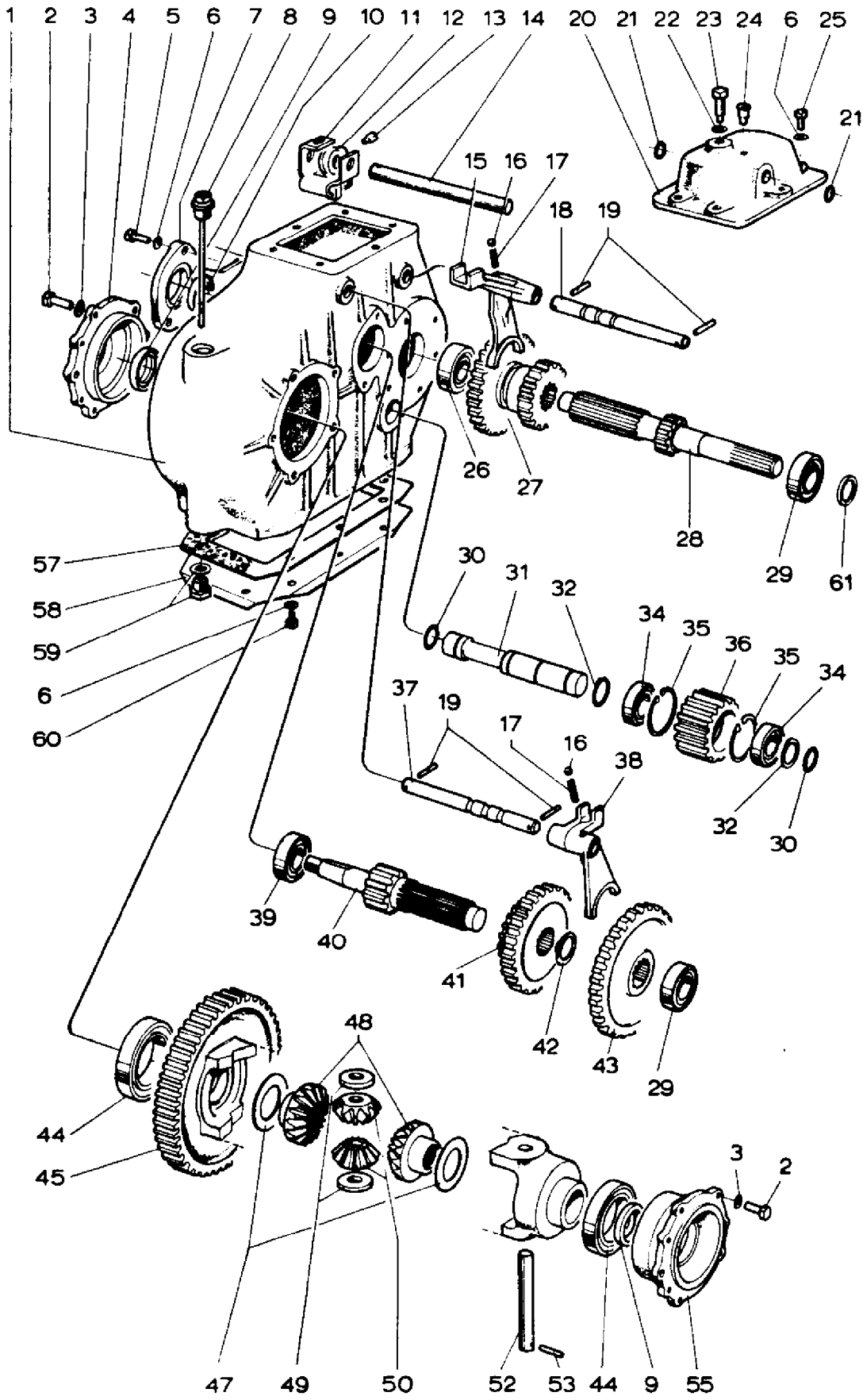
40	S7400033	2	Disc	
41	S6506434	2	Nut	
42	SR640059	1	Pulley	
43	S6594238	1	Nut	
44	S6232570	2	Screw	
45	S0499015	1	Transmission	
46	SR602516	1	Cover	
47	S6222077	8	Screw	
48	S7414469	8	Lock Washer	
49	S6506234	8	Nut	
50	S0480415	1	Bearing	
51	S0480418	2	Spring	
52	S0480558	1	Coupling	
53	S0480559	1	Clutch Disc	
54	SR602512	1	Flange	
55	SR602513	1	Shaft	
56	S0502367	2	Bearing	
57	S7815254	2	Ring	
58	S7815032	1	Ring	
59	S7717156	1	Wedge	
60	SR613867	1	Locking Plate	
61	S6507224	1	Nut	
62	S6596841	6	Nut	
63	S6945572	6	Stud	
64	S0252420	2	Nipple	
65	S7812258	1	Cotter	
66	SR592087	1	Protector	
67	S6537833	1	Nut	
68	S0562030	1	Disc	
69A	S7400042	1	Disc	
69B	S7400042	2	Disc	
70	S0480551	1	Bearing Ball	
71	SR602465	1	Drive Gear	
72	S0480550	1	Bearing Ball	
73	SR592090	1	Disc	
74A	SR640863	1	Protector	Right Hand
74B	SR640862	1	Protector	Left Hand
75	S7812160	1	Cotter	
76	S7400038	1	Disc	
77	SR580100	2	Stand	
78	SR088748	2	Protector	
79	S7412954	1	Tab Washer	
80	S6506234	2	Nut	
81	S0492112	1	Fork	
82	S0492113	1	Trunnion	
83	SR639883	1	Front Axle	

86	SR639386	1	Drive Shaft	Right Hand
87	S0511228	2	Bearing Ball	
88	S6226997	8	Screw	
89A	S7414471	8	Lock Washer	
89B	S7400032	4	Disc	
90A	S6594148	8	Nut	
90B	S6594038	4	Nut	
91	SR620974	2	Bearing Housing	
92	S7815037	2	Circlip	
93	SR605999	2	Brake Drum	
94	SR593416	4	Wedge	
95	S7815037	2	Circlip	
96	SR609808	1	Brake	
97	S6226997	4	Screw	
98	S7400033	4	Disc	
99	S7414471	4	Lock Washer	
100	S6594148	4	Nut	
101	SR609807	1	Brake	
102	S6226367	1	Screw	
103	S7400033	4	Disc	
104	S7414471	4	Lock Washer	
105	S6594148	4	Nut	
106	S0480317	2	Spring	
107	S0480316	2	Spring	
108	S0480318	1	Kit, Brakelining	
109	S0480315	1	Kit, Repair	
110	SR609810	2	Protector	
111	S7400030	4	Disc	
112	S7414465	4	Lock Washer	
113	S6210667	4	Screw	
115	SR639385	1	Drive Shaft	Left Hand
116	S6226997	3	Screw	
117	S6506034	1	Nut	
118	S7414465	1	Lock Washer	
119	S6211067	1	Screw	
120	S6947572	6	Stud	Left Hand
121	S6596941	6	Nut	Left Hand
122	SR619219	1	Drive Gear	
123	S6221267	4	Screw	
124	S6231367	2	Screw	
125	S6231977	2	Screw	
126	S7400034	4	Washer	
127	S7414473	4	Lock Washer	
128	S6506634	4	Nut	
129	SR626510	2	Disc	
130	SR609845	2	Shim	

131	S0639522	1	Joint	
132	S0492425	1	Locking Plate	
133	SR615966	1	Nut	(E)
134	S0480319	1	Cylinder	
135	SR616885	2	Holder	
136	SR616886	2	Holder	
137	S7414481	6	Lock Washer	
138	S6507031	6	Nut	
139	SR616794	1	Knife	Right Hand
140	SR616793	1	Knife	Left Hand
141	SR615426	1	Scraper	
142	S6232190	10	Screw	
143	SR659420	12	Disc	
144	S7414473	10	Lock Washer	
145	S6506634	10	Nut	

(E)
ONLY CAB

VAIHDELAATIKKO
 VÄXELLÅDA
 GEAR BOX
 SCHALTGETRIEBE
 BOITE DE VITESSES



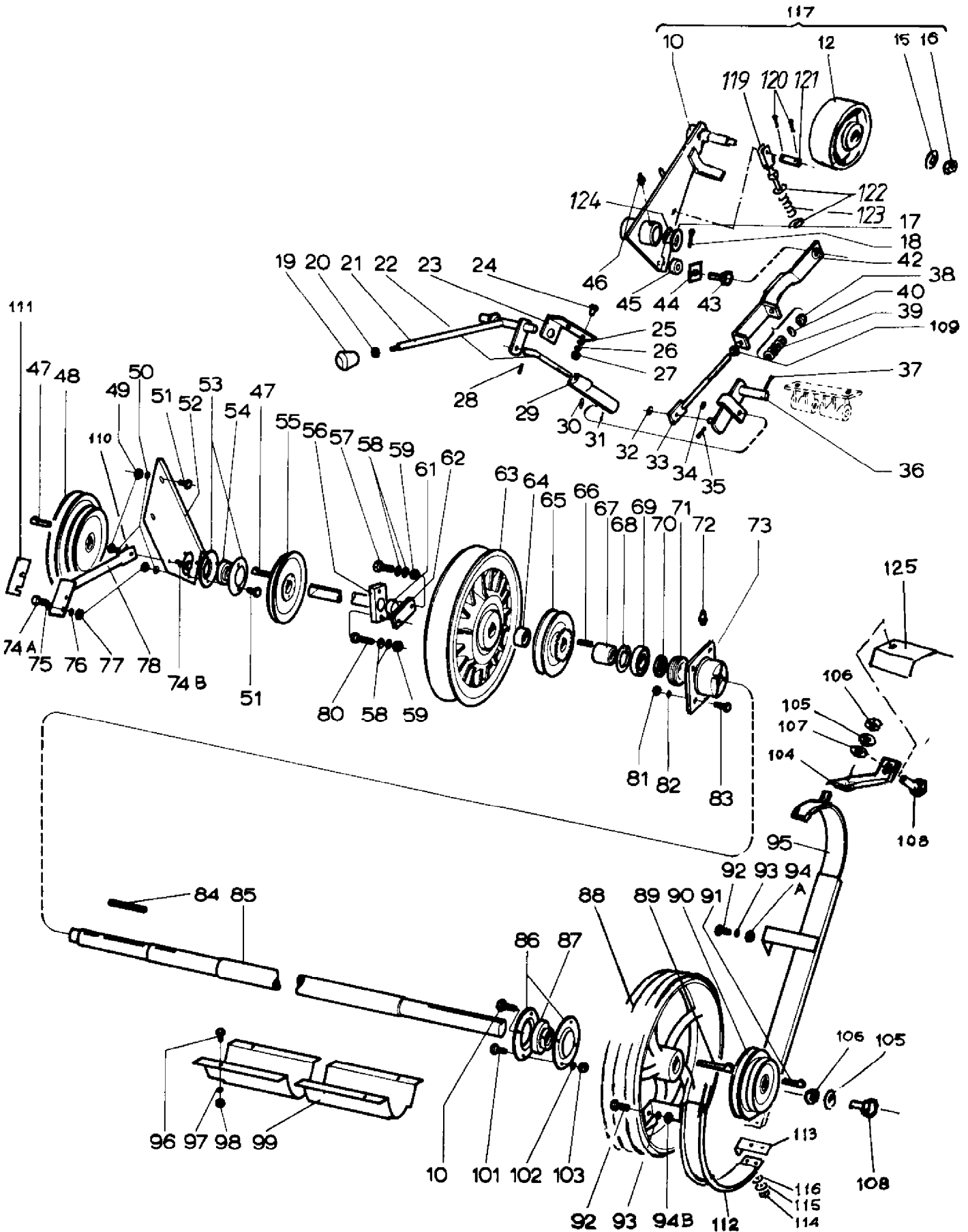
AGCO Corporation
Parts List Report

Massey Ferguson (Europe)
MF 430 COMBINE
Page 154 - GEAR BOX

Item	Part Number	Qty	Part Description	Comments
	S0499015	1	Transmission	
1	S0480700	1	Housing	
2	S6226767	10	Screw	
3	S7414471	10	Lock Washer	
4	S0480761	1	Cover	
5	S6221467	5	Screw	
6	S7414469	21	Lock Washer	
7	S0480706	1	Cover	
8	S0480707	1	Plug	
9	S0480708	2	Shaft Seal	
10	S0480709	1	Shaft Seal	
11	S0480710	1	Guide Bush	
12	S0480711	1	Lever	
13	S0480712	1	Screw	
14	S0480713	1	Rod	
15	S0480714	1	Shift Fork	
16	S0480715	2	Ball	
17	S0480716	2	Spring	
18	S0480717	1	Shaft	
19	S0480718	5	Peg	
20	S0480719	1	Cover	
21	S0480720	2	O Ring	
22	S0480721	1	Spring Plate	
23	S0480722	1	Screw	
	S0485763	1	Screw	
24	S0480723	1	Breather	
25	S0480724	6	Screw	
26	S0480725	1	Bearing	
27	S0481200	1	Gear	
28	S0480727	1	Drive Shaft	
29	S0480728	2	Bearing	
30	S0480729	2	O Ring	
31	S0481201	1	Shaft	
32	S0480731	2	Ring	
34	S0480733	2	Bearing	
35	S0480734	2	Ring	
36	S0480735	1	Gear	
37	S0480736	1	Shaft	
38	S0480737	1	Shift Fork	

39	S0480738	1	Bearing Ball
40	S0480739	1	Drive Shaft
41	S0481202	1	Gear
42	S0480741	1	Ring
43	S0480742	1	Gear
44	S0480753	2	Bearing
45	S0480762	1	Gear
47	S0480746	2	Thrust Washer
48	S0480747	2	Bearing
49	S0480748	2	Disc
50	S0480749	2	Bevel Gear
52	S0480751	1	Pin
53	S0480752	1	Roll Pin
55	S0480754	1	Cover
57	S0480756	1	Joint
58	S0480757	1	Cover
59	S0480758	1	Plug
60	S6220867	10	Screw
61	S0639693	1	Joint

VÄLIAKSELI
MELLANAXEL
INTERMEDIATE SHAFT
ZWISCHENWELLE
ARBRE INTERMEDIAIRE



AGCO Corporation
Parts List Report

Massey Ferguson (Europe)

MF 430 COMBINE

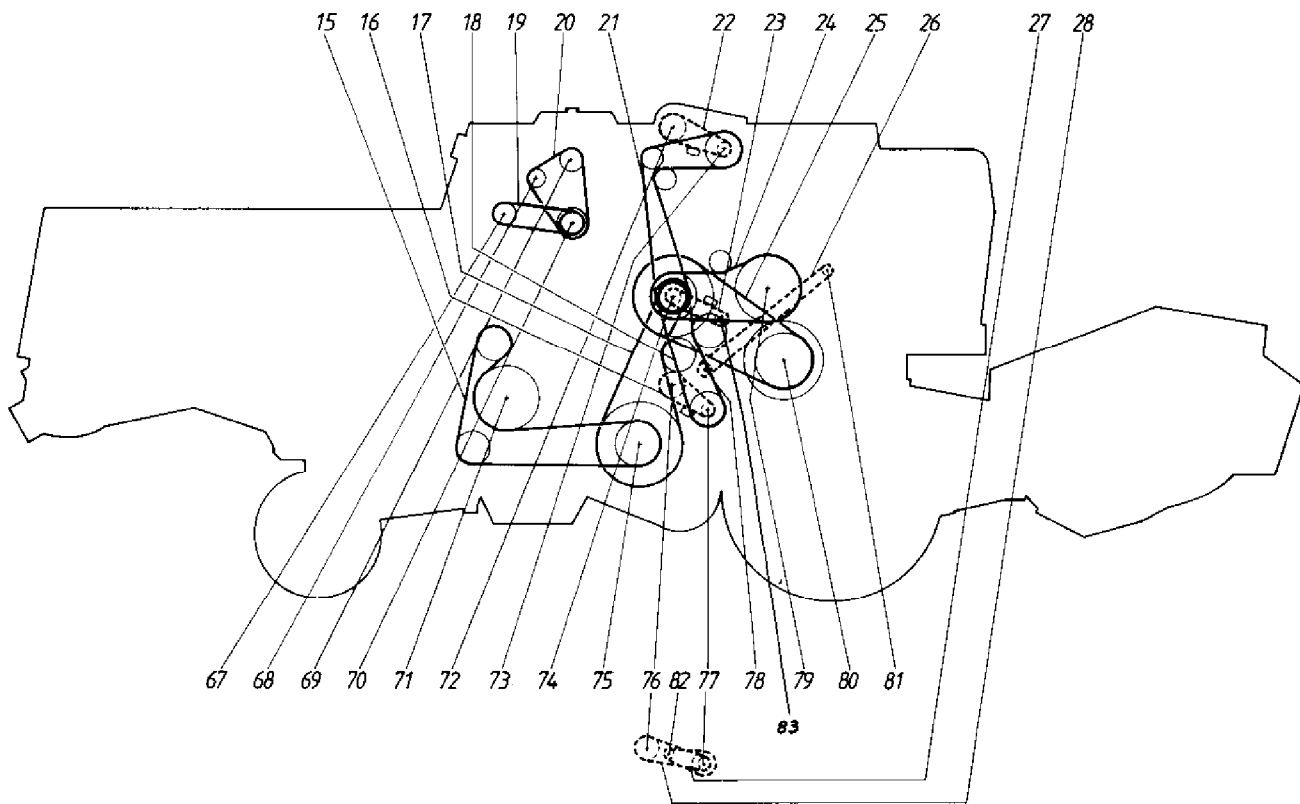
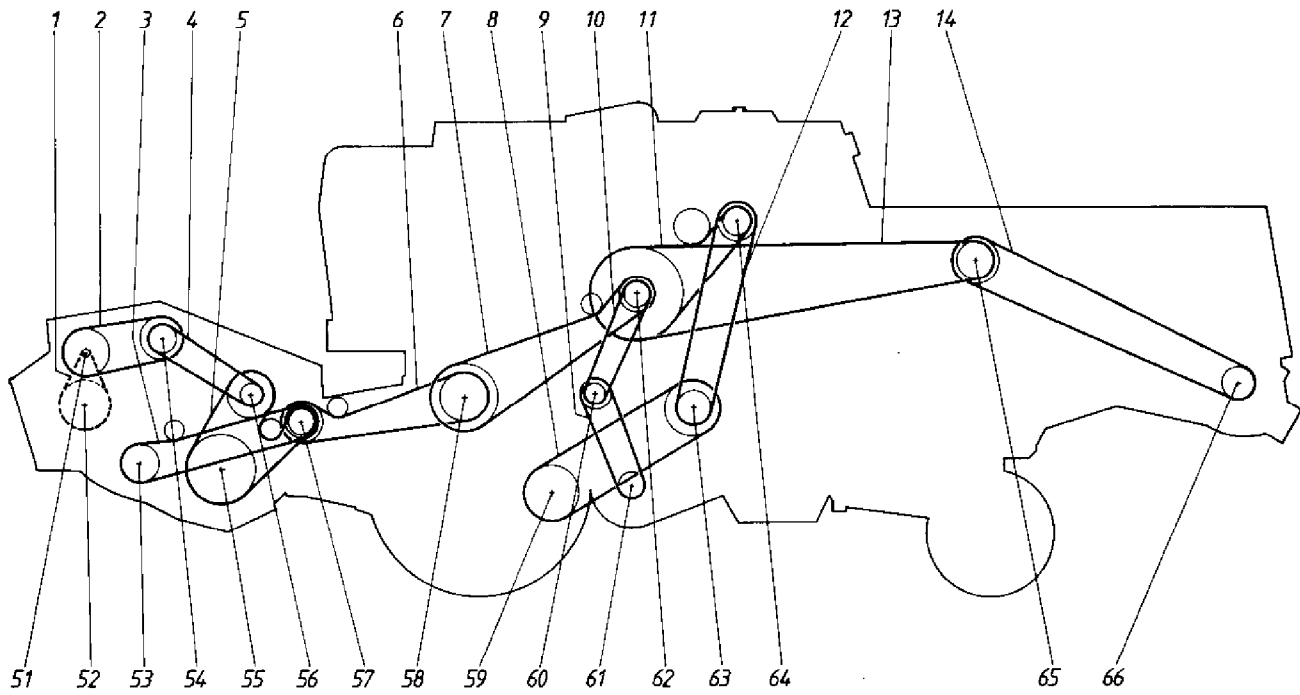
Page 156 - INTERMEDIATE SHAFT

Item	Part Number	Qty	Part Description	Comments
1	S6593838	1	Nut	
2	S6212077	1	Screw	
5	S7815238	2	Circlip	
10	SR638530	1	Mounting	
12	SR638531	1	Tightener	
15	SR636406	1	Disc	
16	S6506634	1	Nut	
17	SR637297	1	Disc	
18	S7812258	1	Cotter	
19	S0879932	1	Knob	
20	S6506434	1	Nut	
21	SR609882	1	Lever	
22	SR596065	1	Rod	
23	SR605665	1	Bearing	
24	S6763544	2	Screw	
25	S7400033	2	Disc	
26	S7414471	2	Lock Washer	
27	S6506434	2	Nut	
28	S7812116	1	Cotter	
29	SR605659	1	Lever	
30	S7400033	1	Disc	
31	S7812116	1	Cotter	
32	S7400034	1	Washer	
33	SR617387	1	Steady	
34	S7400033	1	Disc	
35	S7812116	1	Cotter	
36	SR617219	1	Shaft	
37	S7812160	1	Cotter	
38	S6507034	1	Nut	
39	S0415225	1	Spring	
40	S7400036	1	Disc	
42	SR617223	1	Arm	
43	SR614660	1	Journal	
44	SR614661	1	Locking Plate	
45	SR614659	1	Bush	
46	S0252445	1	Nipple	
47	S7712110	2	Gib Key	
48	SR593417	1	Pulley	
49	S6506434	7	Nut	

50	S7414471	7	Lock Washer
51	S6225767	5	Screw
52	SR593423	1	Bearing Plate
53	S0569322	2	Flange
54	S0511057	1	Bearing Ball
55	SR640571	1	Pulley
56	SR613839	1	Holder
57	S6226977	2	Screw
58	S7412059	8	Disc
59	S6594148	4	Nut
62	SR613843	20	Sheet Metal
63	SR602665	2	Variator
64	SR592185	1	Bush
65	SR613870	1	Pulley
66	SR592183	1	Wedge
67	SR592184	1	Bush
68	S7815258	1	Circlip
69	S0502323	1	Bearing
70	SR090023	1	Ring
71	S0505058	1	Bearing
72	S0252445	1	Nipple
73	SR090019	1	Flange
74A	S6226367	2	Screw
74B	S6226567	1	Screw
75	S7400034	2	Washer
76	S7414471	2	Lock Washer
77	S6506434	2	Nut
78	SR609500	1	Stand
80	S6227377	2	Screw
81	S6506634	3	Nut
82	S7414473	3	Lock Washer
83	S6231340	3	Screw
84	SR580421	2	Wedge
85	SR613842	1	Shaft
86	S0569324	2	Flange
87	S0511340	1	Bearing
88	SR657053	1	Pulley
89	S7712120	1	Gib Key
90	SR602587	1	Pulley
91	S7712113	1	Wedge
92	S6226367	2	Screw
93	S7414471	2	Lock Washer
94A	S6594148	1	Nut
94B	S6506434	1	Nut
95	SR616874	1	Protector
96	S6220467	4	Screw

97	S7414469	4	Lock Washer
98	S6506234	4	Nut
99	SR580710	1	Protector
101	S6231167	4	Screw
102	S7414473	4	Lock Washer
103	S6506634	4	Nut
104	SR618269	1	Holder
105	S7414469	3	Lock Washer
106	S6506234	3	Nut
107	S7400032	1	Disc
108	S6221267	2	Screw
109	S6594439	1	Nut
110	S7412059	1	Disc
111	SR609503		Shim
112	SR616870	1	Segment
113	SR616878	1	Holder
114	S6506234	2	Nut
115	S7414469	2	Lock Washer
116	S7400032	2	Disc
117	SR638529	1	Tensioner
119	SR652179	1	Rod
120	S7812116	2	Cotter
121	SR590010	1	Pin
122	S7400034	2	Washer
123	S0415140	1	Spring
124	S0633218	1	O Ring
125	SR659203	1	Stand

HIHNAT JA KETJUT
REMMAR OCH KEDJOR
BELTS AND CHAINS
KEILRIEMEN UND KETTEN
COURROIES ET CHAINES




AGCO Corporation
Parts List Report

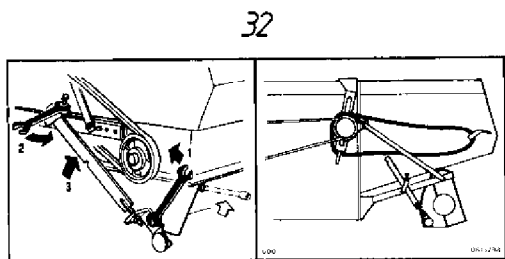
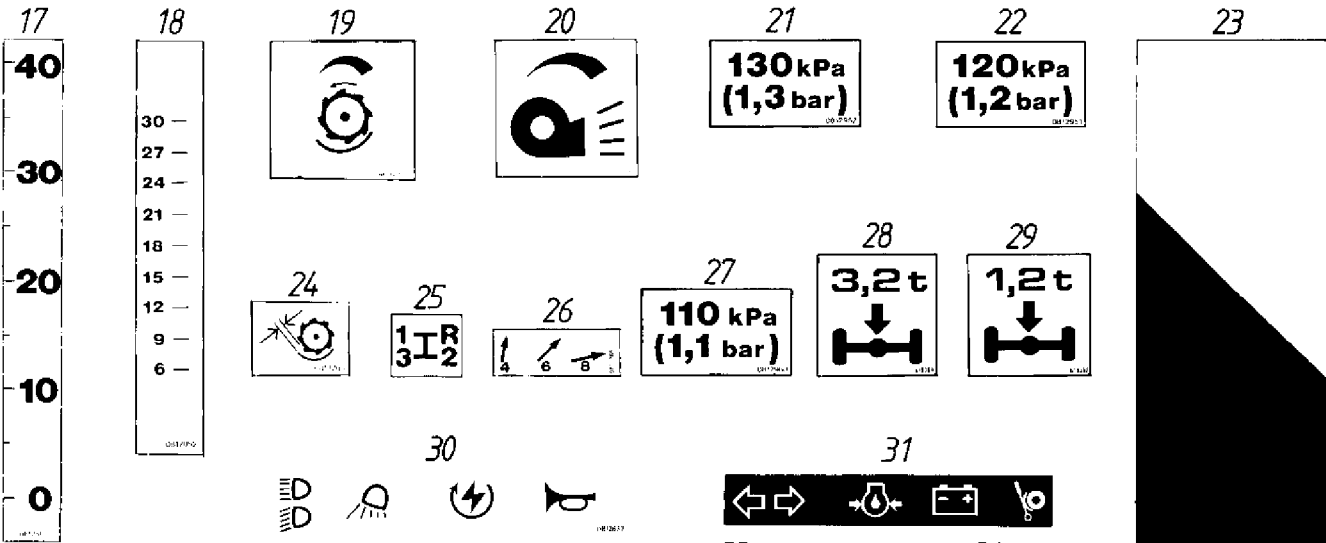
Massey Ferguson (Europe)
MF 430 COMBINE
Page 160 - BELTS AND CHAINS

Item	Part Number	Qty	Part Description	Comments
1	S0657101	1	Chain	
2	S0614132	1	V Belt	
3	S0615122	1	V Belt	
4	S0615110	1	V Belt	
5	S0615135	1	V Belt	
6	S0615130	1	V Belt	
7	S0615133	1	V Belt	
8	S0619185	1	Belt	
9	S0614125	1	V Belt	
10	S0614125	1	V Belt	
11	S0619080	1	Band	
12	S0619185	1	Belt	
13	S0615150	1	V Belt	
14	S0615140	1	V Belt	
15	S0619059	1	V Belt	
16	S0657078	1	Chain	
17	S0614147	1	V Belt	
18	S0614131	1	V Belt	
19	S0613116	1	V Belt	
20		1	V Belt	(E)
21	S0614152	1	V Belt	
22	S0657120	1	Chain	
23	S0657100	1	Chain	
24	S0615121	1	V Belt	
25	S0619180	1	Belt	
26	S0657226	1	Chain	
27	S0657065	1	Chain	
28	S0657080	1	Chain	

(E)
ENGINE

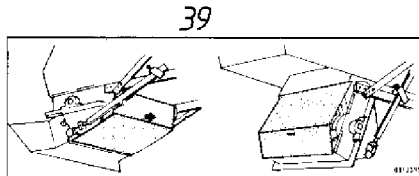
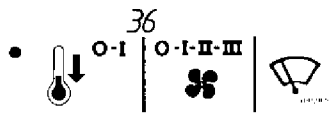
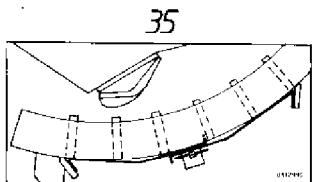
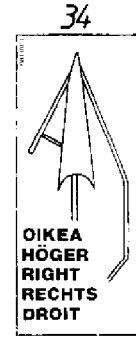
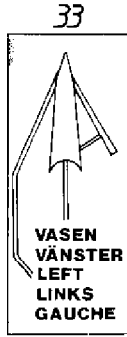
1
MASSEY FERGUSON

2 **MF** 3  4 **430**



37
13,5%

38
↑ +



AGCO Corporation
Parts List Report

Massey Ferguson (Europe)

MF 430 COMBINE

Page 162 - TRANSFERS-ENGLISH - (N) (DK)

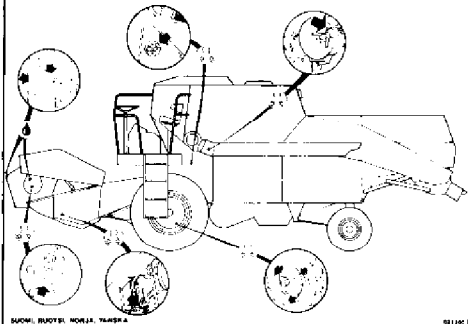
Item	Part Number	Qty	Part Description	Comments (N) (DK)
1	S0812458	2	Decal	
2	S0812459	2	Decal	
3	S0813440	1	Decal	
4	S0812461	2	Decal	
7	S0813250	1	Decal	
8	S0813258	1	Decal	
9	S0813243	1	Decal	
10	S0813244	1	Decal	
11	S0813245	1	Decal	
12	S0812995	1	Decal	
13	S0812996	1	Decal	
14	S0812997	1	Decal	
15	S0813396	1	Decal	
16	S0813397	1	Decal	
17	S0812868	1	Decal	
18	S0812852	1	Decal	
19	S0813287	1	Decal	
20	S0813286	1	Decal	
21	S0812952	1	Decal	
22	S0812951	2	Decal	
23	S0812740	2	Decal	
	S0812742	2	Decal	
	S0813228	1	Decal	
	S0813229	1	Decal	
24	S0813263	1	Decal	
25	S0813257	1	Decal	
26	S0813288	1	Decal	
27	S0812960	1	Decal	
28	S0812958	1	Decal	
29	S0812956	1	Decal	
30	S0812832	1	Decal	
31	S0813330	1	Decal	
32	S0813298	1	Decal	
33	S0813000	1	Decal	
34	S0813001	1	Decal	
35	S0812990	2	Decal	
36	S0812875	1	Decal	
37	S0812876	1	Decal	

38	S0813336	1	Decal
39	S0813395	1	Decal

**TARRAKILVET
DEKALER
TRANSFERS
DER AUFKLEBER
DÉCALCOMANIES**

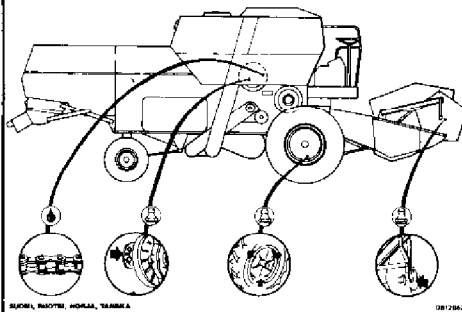
1

VOITELU PÄIVITTÄIN SMÖRING DAGLIG
SMÖRJNING DAGLIGEN SMÖR DAGLIG



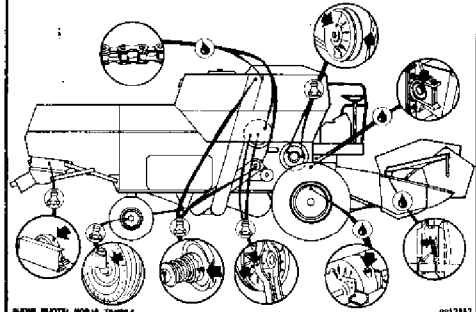
2

VOITELU PÄIVITTÄIN SMÖRING DAGLIG
SMÖRJNING DAGLIGEN SMÖR DAGLIG



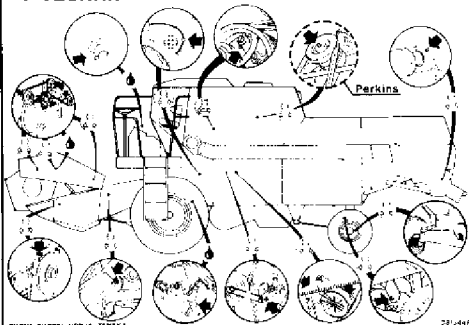
3

VOITELU VIIKOTTAIN SMÖRJNING EN GÅNG I VECKAN
SMÖRING UGENTLIG SMÖR UKENTLIG



4

VOITELU VIIKOTTAIN SMÖRJNING EN GÅNG I VECKAN
SMÖRING UGENTLIG SMÖR UKENTLIG



5

ANNA AÄNIMERKKI ENNEN MOOTTORIN KÄYNNISTYSTÄ
GE LJUDSIGNAL INNAN DU STARTAR MOTORN

PAINA KYTKIN POHJAAN KÄYNNISTÄESSÄSI MOOTTORIA
TRYCK NED KOPPLINGSPEDALEN VID START AV MOTORN

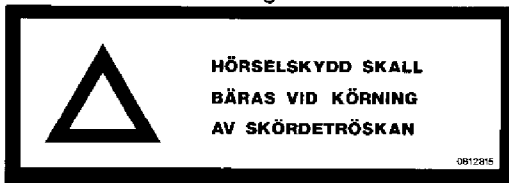
MOOTTORIN KÄYDESSÄ EI VIRTA-AVAINTA SAA KÄÄNTÄÄ O-ASETOON
UNDER MOTORNS GÅNG FÄR EJ STRÖMNYCKELN VRIDAS TILL POSITION O

IRROITA LATAAJAN JOHTIMET ENNEN SÄHKÖHITSAUSTA
VID ELSVETSNING BÖR GENERATORNS KABLAR LÖSGÖRAS

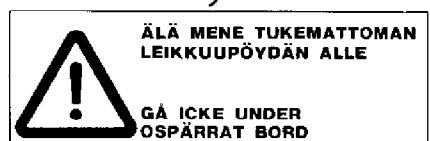
6



8



9



7

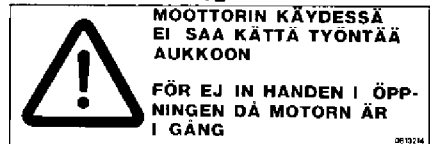
VOITELUÖLJYT SMÖRÖLJÖR	KÄYTTÖLÖNÄS BRUKSLETT AP	VISÖSITTEYTI KOKOITET SAE	KÄYTTÖVAI ÖLJYTYE
MOOTTORIN JA PUMPUTUSPUMPU MOTOR OCH INSPRUTNINGSP	CB, CC	10W/30	150h
HYDRAULIIKKA HYDRAULIK	CB, CC	10W	2 VUOTTA ÅR
VÄNTEISTO VÄKELLÄDÄ	GL-4	EP-90	1 VUOSI ÅR

11



ÄLÄ MENE SÄILIÖÖN MOOTTORIN KÄYDESSÄ FÖRBJUDET ATT STIGA NED I TANKEN NÄR MOTORN ÄR I GÅNG

12



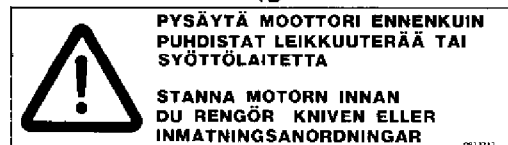
10

SUOJELE LUONTOA - ÄLÄ PÄÄSTÄ KÄYTETTYÄ ÖLJYÄ SAASTUTTAMAAN MAAPERÄÄ
SKYDDA NATUREN - LÄT INTE ANVÄND OLJA FÖRÖRENA MÅRKEN

14

VAIHA ILMASUODATIN AINA PUINTIKAUDEN ALKAESSA
BYT ALLTID LUFTFILTRET FÖRE NY SKÖRDESÄSONG

15



13

LIKIMÄÄRÄISIÄ SÄÄTÖARVOJA UNGEFÄRLIGA INSTÄLLNINGSVÄRDEN				
KASVILAJI SÄDESSLAC	PUNTIKELA TRÖSKVÄLINDER	PUNTIKELA (KÖDESSÄ) SKÖRSTÄND (FRAM)	PUNTIKELA FLÄKT	PUNTIKELA
	mm	mm	mm	mm
RUIS -RAG	950 - 1100	6 - 12	900 - 1000	
VEHNA -VET	950 - 1100	6 - 12	980 - 1050	
OHRA -KORN	1000 - 1100	6 - 9	900 - 1000	
KÄURA -HÄVRE	900 - 1050	6 - 12	850 - 950	
RÄPSI -RAPS	750 - 850	15 - 18	750 - 850	
RYPPI -RYP	750 - 850	15 - 18	700 - 800	
TIMOTEI -TIMOTEJ	850 - 950	9 - 12	810 - 700	
APILA -KLOVER	1100 - 1200	6 - 9	700 - 800	
NURMINÄTÄ -ÄNGSSVINGEL	950 - 1050	6 - 9	700 - 800	
HERNE -ÄRT	550 - 800	24 - 27	800 - 900	

16

IRROITA LATAAJAN JOHTIMET ENNEN SÄHKÖHITSAUSTA
VID ELSVETSNING BÖR GENERATORNS KABLAR LÖSGÖRAS

17

VASENKIERRE VÄNSTERGÄNGA

18

KYTKE JA IRROITA PUIMAKONE AINOASTAAN MOOTTORIN TYHJÄKÄYNNILLÄ
KOPPLA TILL OCH FRÅN TRÖSKVERKET ENDAST NÄR MOTORN GÅR PÅ TOMGÅNG

20

TALVISÄILYTYKSEN JÄLKEEN: TARKISTA KYTKIN- JA JARRUNESTEEN MÄÄRÄ
EFTER VINTERFÖRVARINGEN: KONTROLLERA KOPPLINGS- OCH BROMSVÄTSKENIVÄERNA

21



19

LIKIMÄÄRÄISIÄ SÄÄTÖARVOJA UNGEFÄRLIGA INSTÄLLNINGSVÄRDEN				
KASVILAJI SÄDESSLAC	RUUVIN-SEULA ROSSALL	JÄTKE FÖRLÄNGNING SPÄNNMÄTT SÄLL	SIEMEN-SEULA SPÄNNMÄTT SÄLL	PUNTIKELA FLÄKT
	mm	mm	mm	mm
RUIS -RAG	10 - 13	12 - 15	12 - 18	6
VEHNA -VET	10 - 16	11 - 15	12 - 16	6
OHRA -KORN	11 - 13	12 - 15	12 - 16	4
KÄURA -HÄVRE	12 - 17	14 - 17	18	6
RÄPSI -RAPS	10 - 12	10 - 12	5	6
RYPPI -RYP	5 - 7	5 - 7	5	6
TIMOTEI -TIMOTEJ	SÄLLETTU	5 - 6	5	0
APILA -KLOVER	18 - 20	18 - 22	5	6
NURMINÄTÄ -ÄNGSSVINGEL	8 - 10	10 - 12	5	6
HERNE -ÄRT	TÄYDIN ELLI FULLT ÖPPEN		16	6

AGCO Corporation
Parts List Report

Massey Ferguson (Europe)

MF 430 COMBINE

Page 164 - TRANSFERS-ENGLISH - (N) (DK)

Item	Part Number	Qty	Part Description	Comments (N) (DK)
1	S0813007	1	Decal	
2	S0812862	1	Decal	
3	S0812863	1	Decal	
4	S0813446	1	Decal	
5	S0813332	1	Decal	
6	S0813385	3	Decal	
	S0812843	3	Decal	
7	S0812847	1	Decal	
	S0813013	1	Decal	
8	S0812815	1	Decal	
9	S0813206	2	Decal	
	S0812842	2	Decal	
10	S0813296	1	Decal	
	S0813015	1	Decal	
11	S0812879	1	Decal	
	S0812878	1	Decal	
12	S0813214	13	Decal	
	S0812840	13	Decal	
13	S0813303	1	Decal	
	S0813392	1	Decal	
14	S0813297	1	Decal	
	S0813014	1	Decal	
15	S0813217	1	Decal	
	S0812841	1	Decal	
16	S0813328	1	Decal	
	S0813389	1	Decal	
17	S0813187	2	Decal	
18	S0812808	1	Decal	
	20812844	1	Decal	
19	S0813302	1	Decal	
	S0813391	1	Decal	
20	S0812823	1	Decal	
	S0812824	1	Decal	
21	S0812805	1	Decal	

**TARRAKILVET
DEKALER
TRANSFERS
DER AUFKLEBER
DÉCALCOMANIES**

1

MACHINE SETTINGS					
CROP	ADJUSTABLE	EXTENSION	GRAIN	FAN	
	SIEVE mm	mm	SIEVE mm	AMOUNT NOTCH	DIRECTION 1 2 3 4 5
RYE	12 - 16	10 - 16	12 - 16	8 - 10	6 - 7
WHEAT	12 - 16	10 - 16	12 - 16	8 - 10	6 - 7
BARLEY	14 - 16	10 - 16	12 - 16	8 - 10	5 - 6
OATS	14 - 18	12 - 16	16	7 - 9	6 - 7
RAPS	8 - 12	8 - 12	5	2 - 4	6 - 7
TIMOTHY	8 - 10	8 - 10	5	1*	8
CLOVER	12 - 16	10 - 14	5	2 - 3	7
MEADOW FESCUE	8 - 10	8 - 12	8 - 10	1*	8
PEA	FULLY OPEN		16	7	5

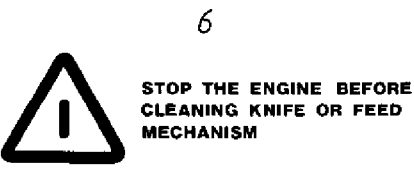


3

ENGAGE AND DISENGAGE THRESHING MECHANISM ONLY AT IDLING SPEEDS OF ENGINE

5

MACHINE SETTINGS				
CROP	CYLINDER	CONCAVE CLEARANCE (FRONT)	FAN	
	R.P.M.	mm	R.P.M.	
RYE	850 - 1100	6 - 12	900 - 1000	
WHEAT	850 - 1100	6 - 12	980 - 1050	
BARLEY	1000 - 1100	6 - 9	900 - 1000	
OATS	900 - 1050	6 - 12	850 - 950	
RAPS	750 - 850	15 - 18	750 - 850*	
TIMOTHY	850 - 850	9 - 12	610 - 700*	
CLOVER	1100 - 1200	6 - 9	700 - 800*	



7

CHANGE THE AIR CLEANER ALWAYS BEFORE A NEW THRESHING SEASON

8

GIVE A SIGNAL BEFORE STARTING THE ENGINE

DEPRESS THE CLUTCH PEDAL WHEN STARTING THE ENGINE

DON'T TURN IGNITION SWITCH TO POSITION 0 WHEN MOTOR IS RUNNING

REMOVE THE GABLES FROM THE ALTERNATOR BEFORE ELECTRICAL WELDING



10

LEFT-HAND THREAD

11

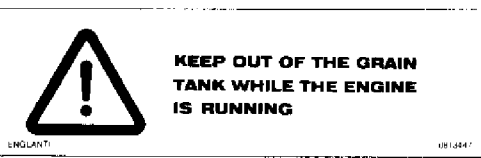
LUBRICATION	SERVICE CLASSIFICATION API	VISCOSITY SAE	CHANGE PERIOD
ENGINE AND INJECTION PUMP	CB, CC	10W/30	150 h
HYDRAULICS	CB, CC	10W	2 YEARS
GEAR BOX	GL-4	EP-90	1 YEAR

12

LUBRICATION ONCE A DAY

13

LUBRICATION ONCE A WEEK



15

PROTECT NATURE - NEVER DRAIN USED OIL ONTO THE GROUND

16

<p>STARTING INSTRUCTIONS</p> <p>TURN SWITCH TO POSITION 'R'</p> <p>RELEASE STOP CONTROL</p> <p>OPEN THROTTLE FULLY</p> <p>WARM WEATHER OR ENGINE WARM</p> <p>TURN SWITCH TO (HS) POSITION</p>	<p>COLD WEATHER</p> <p>TURN TO HEATER (H) FOR 15-20 SECONDS</p> <p>TURN TO HEATER AND STARTER (HS)</p> <p>IF NO START OBTAINED IN 20 SECONDS</p> <p>REPEAT (H) FOR 10 SECONDS FOLLOWED BY (HS)</p>
---	---

AGCO Corporation
Parts List Report

Massey Ferguson (Europe)
MF 430 COMBINE
Page 166 - TRANSFERS-ENGLISH

Item	Part Number	Qty	Part Description	Comments
1	S0813307	1	Decal	
2	S0813371	3	Decal	
3	S0813363	1	Decal	
4	S0813372	13	Decal	
5	S0813308	1	Decal	
6	S0813374	1	Decal	
7	S0813377	1	Decal	
8	S0813379	1	Decal	
9	S0813373	2	Decal	
10	S0813376	2	Decal	
11	S0813375	1	Decal	
12	S0813382	2	Decal	
13	S0813383	2	Decal	
14	S0813447	1	Decal	
15	S0813378	1	Decal	
16	S0812709	1	Decal	

**TARRAKILVET
DEKALER
TRANSFERS
DER AUFKLEBER
DÉCALCOMANIES**

1

DURCHSCHNITTliche EINSTELLWERTE TABLEAU DE RÉGLAGE			
FRUCHT RÉCOLTE	DRESCHROMMEL BATTEUR	DREHSCHEIBEN- ABSTAND VORN JEU AV DU CONTRE BATTEUR	GEBLASE VENTILATEUR
	U/min tr/min	mm	U/min tr/min
ROGGEN -SEIGLE	950 - 1100	6 - 12	900 - 1000
WEIZEN -BLÉ	950 - 1100	6 - 12	960 - 1050
GERSTE -ORGE	1000 - 1100	6 - 9	900 - 1000
HAFFER -AVOINE	900 - 1050	6 - 12	850 - 950
RAPS -COLZA	750 - 850	15 - 18	750 - 850
RUBSEN -NAVETTE	750 - 850	15 - 18	700 - 800
GRASSAMEN -FLÉOLE DES PRÉS	800 - 900	9 - 12	650 - 700
KLEE -TRÉFLE	1100 - 1200	6 - 9	700 - 800

2

DURCHSCHNITTliche EINSTELLWERTE TABLEAU DE RÉGLAGE				
FRUCHT RÉCOLTE	KÜRZEST- ROHRE GRILLE À OTONS	VERLÄNGERUNG EXTENSION	KORNSEIB GRILLE À GRAIN	WINKEL- BLECH DIRECTION DE L'AIR
	mm	mm	mm	°
ROGGEN -SEIGLE	10-13	12-15	12-16	6
WEIZEN -BLÉ	10-16	11-15	12-16	6
GERSTE -ORGE	11-13	12-15	12-16	4
HAFFER -AVOINE	12-17	14-17	16	8
RAPS -COLZA	10-12	10-12	5	6
RUBSEN -NAVETTE	5-7	5-7	5	6
GRASSAMEN -FLÉOLE DES PRÉS	10-12	10-12	5	6
KLEE -TRÉFLE	16-20	18-22	5	6

3

**DER LUFTFILTER SOLL
IMMER IM BEGINN DER
DRUSCHPERIODE GEWECHSELT
WERDEN**

**FILTRE A AIR DOIT ETRE
CHANGE AU DEBUT DE
CHAQUE SAISON DE MOISSON**

4

**VOR DEM STARTEN DES
MOTORS HUPEN
BEIM STARTEN DAS KUPP-
LUNGSPEDAL DURCHTRETEN
BEI LAUFENDEM MOTOR DEN
SCHLÜSSEL NICHT ZUR
STELLUNG 0 DREHEN
DIE KABELN DES DREHSTROM-
GENERATORS VOR ELEKTRI-
SHEM SCHWEISSEN
ABTRENNEN**

**KLAXONNER AVANT DE METTRE
EN MARCHÉ LE MOTEUR
APPUYER A FOND SUR
L'EMBRAYAGE POUR
DÉMARRER LE MOTEUR
QUAND LE MOTEUR MARCHE
NE PAS TOURNER CLÉ DE
CONTACT A POSITION 0
DÉBRANCHER LES FILS DE
L'ALTERNATEUR AVANT
SOUDURE A L'ELECTRICITE**



**MOTOR ABSTELLEN BEVOR DAS
SCHNEIDWERK ODER EINZUGSEINRICHTUN-
GEN GEREINIGT WERDEN**

**ARRÊTER LE MOTEUR AVANT DE
NETTOYER LA LAME OU LE
MECANISME D'ALIMENTATION**

5

HIER FEUERLÖSCHER ANBRINGEN

7



**BEI LAUFENDEM MOTOR
NICHT IN DIE ÖFFNUNG
GRIEFEN
NE PAS INTRODUIRE LA
MAIN DANS CETTE
OUVERTURE LORSQUE LE
MOTEUR TOURNE**

8



**SCHNEIDTISCH BEI REPARATUR-
ARBEITEN ABSTÜTZEN
NE PAS TRAVAILLER SUR LA
BARE DE COUPE SANS
ENGAGER LA BUTÉE DE
SECURITE**

9



**ACHTUNG:
ROTIERENDE
MESSER
ATTENTION:
LAMES
ROTATIVES**

10



**DÉFENSE D'ENTRER DANS LA
TRÉMIÉ LE MOTEUR ÉTANT
EN MARCHÉ**

11

**DAS DRESCHWERK NUR MIT MOTOR IN LEER-
LAUFSTELLUNG EIN- UND AUSSCHALTEN
LA BATTEUSE NE DÉMARRER ET DEBRAYER
QUE PENDANT LA MARCHÉ À VIDE DU MOTEUR**

12

AUS

13

EIN

14

SCHMIERÖLE GRAISSAGE	VERWENDUNGS- KLASSE	VISKOSITÄT	WECHSELPERI- ODE
	TYPE	VISCOSITÉ	PÉRIODICITÉ DE VIDANGE
MOTOR UND EINSPRITZPUMPE MOTEUR ET POMPE D'ALIMEN- TATION	CB, CC	10W/30	150
HYDRAULIK CIRCUIT HYDRAULIQUE	CB, CC	10W	2 JAHRE ANS
GEBIETE UND WINKEL- GETRIEBE BOÎTE DE VITESSE	GL-4	EP-90	1 JAHR AN

15

**SCHMIERPLAN
TÄGLICH
PARTIES A GRAISSER
QUOTIDIENNEMENT**

19



16

**SCHMIERPLAN
WOCHENTLICH
PARTIES A GRAISSER UNE
FOIS PAR SEMAINE**

20

**LINKSGEWINDE
PAS DE VIS A
GAUCHE**

17

**UMWELTSCHUTZ - BODEN NICHT DURCH
ÖL VERUNREINIGEN**

**PROTEGEZ LA NATURE - NE POLLUEZ
PAS LE SOL AVEC DE L'HUILE**

18

**ACHTUNG! UNTERLEGKEILE NUR AN
DER VORDERACHSE VERWENDEN**

21

**VORSICHT
BEI BESEITIGUNG VON
VERSTOPFUNG, REINIGUNG
UND PROBEENTNAHME
GEEIGNETE HILFSMITTEL
VERWENDEN**



22

BEDIENUNGSANWEISUNGEN	INSTRUCTIONS DE DEMARRAGE
SCHLÜSSEL AUF POSITION (R) STELLEN STOPKONTROLLHEBEL AUF FAHRT STELLEN GASPEDAL AUF VOLLGAS	METTRE LE CONTACT (POSITION "R") ACCÉLÉRER A FOND S'ASSURER QUE LA COMMANDE DE STOP EST EN POSITION MARCHÉ
IN WARMEM WETTER ODER BEI WARMEM MOTOR STARTSCHLÜSSEL AUF POSITION (HS) DREHEN -BEI KALTEM WETTER STARTSCHLÜSSEL 15-20 SEKUNDEN AUF POSITION (H) DREHEN STARTSCHLÜSSEL WEITER NACH LINKS AUF POSITION (HS) DREHEN, FALLS DER MOTOR NICHT INNERHALB 20 SEKUNDEN ANGRINT.	PAR TEMPS NORMAL OU MOTEUR CHAUD AMENER LE CONTACTEUR A LA POSITION "HS" (CHAUFFAGE DÉMARRAGE) PAR TEMPS FROID ENGAGER LA POSITION CHAUFFAGE "H" DU CONTACTEUR PENDANT 15 à 20 SECONDES AMENER LA CLÉ DU CONTACTEUR A LA POSITION "HS" (CHAUFFAGE DÉMARRAGE), SI APRES 20 SECONDES, LE MOTEUR N'A PAS DÉMARRÉ REVENIR A LA POSITION "H" PENDANT 10 SECONDES PUIS A LA POSITION "HS"

23

**DIE KABELN DES DREHSTROM-
GENERATORS VOR ELEKTRI-
SHEM SCHWEISSEN
ABTRENNEN**

**DÉTACHER CONDUITES DU
CHARGEUR AVANT SOUDAGE
A L'ELECTRICITE**

AGCO Corporation
Parts List Report

Massey Ferguson (Europe)
MF 430 COMBINE
Page 168 - TRANSFERS-ENGLISH

Item	Part Number	Qty	Part Description	Comments
1	S0813337	1	Decal	
2	S0813309	1	Decal	
3	S0813077	1	Decal	
4	S0813355	1	Decal	
5	S0812970	1	Decal	
6	S0813237	1	Decal	
7	S0812981	13	Decal	
8	S0812972	2	Decal	
9	S0813353	3	Decal	
10	S0812456	1	Decal	
11	S0812809	1	Decal	
12	S0813241	1	Decal	
13	S0813242	1	Decal	
14	S0812971	1	Decal	
15	S0812866	2	Decal	
16	S0812867	2	Decal	
17	S0812974	1	Decal	
18	S0812986	1	Decal	
19	S0813333	1	Decal	
20	S0812973	1	Decal	
21	S0812710	1	Decal	
22	S0812708	1	Decal	
23	S0813354	1	Decal	
